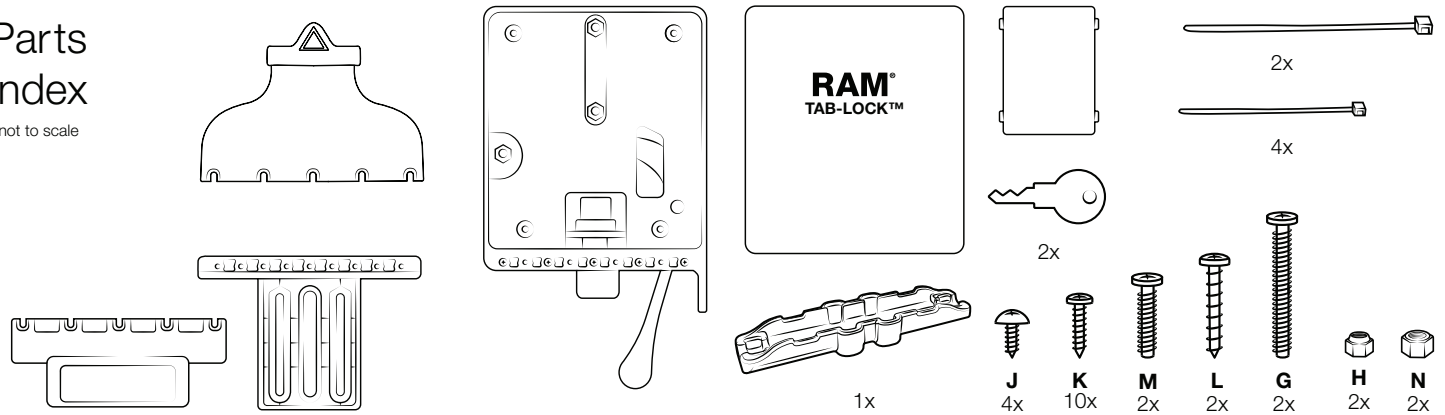
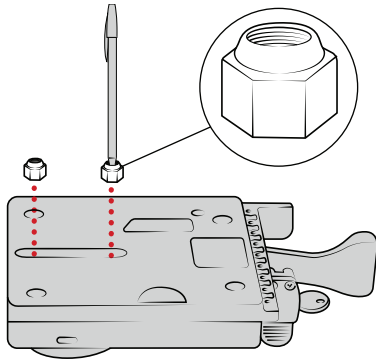


Parts Index

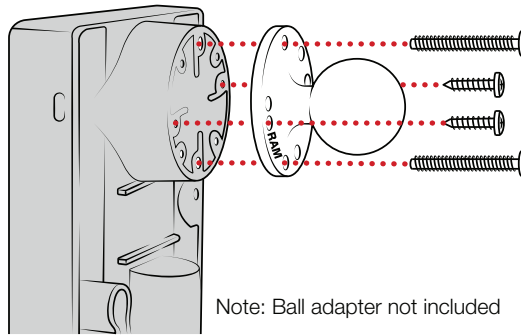
* not to scale



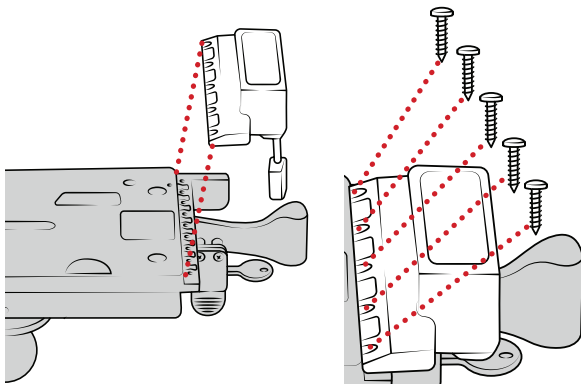
1 Position (H) nuts in nut pockets, guiding them in place with a pen.



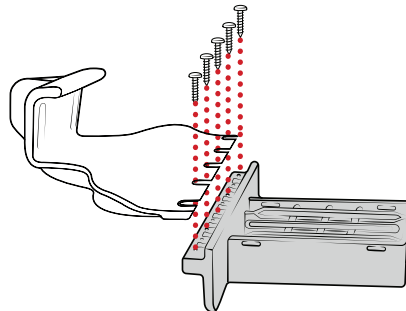
2 While holding (H) nuts in place, attach ball adapter to back of holder using (G) screws. RAM® logo must be facing in the shown direction. Attach additional (L) screws.



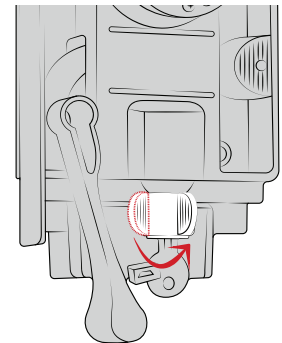
3 Using (K) screws, attach bottom docking cup to vehicle dock assembly.



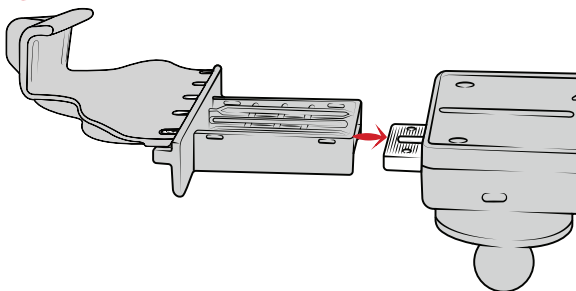
4 Using (K) screws, attach top docking cup to top slide with numbers facing down.



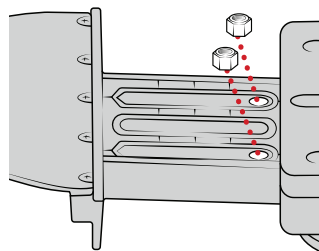
5 Twist key lock to release internal slide.



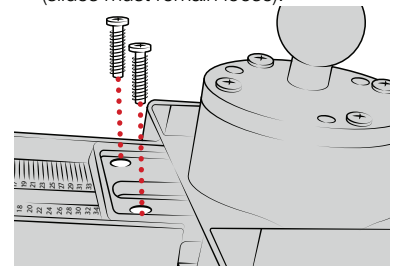
6 Insert top slide over internal vehicle dock.



7 Place (N) nuts into top slide, aligning with holes in internal slide.



8 Attach (M) screws from behind the internal slide. Do not fully tighten (slides must remain loose).

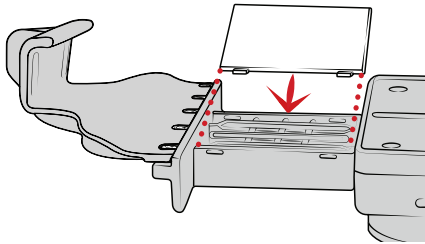


For questions regarding the assembly of this holder, contact us at:

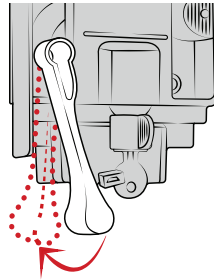
Phone: 1-800-497-7479 Email: support@rammount.com

RPR-INS-GDS-DOCKL-V9

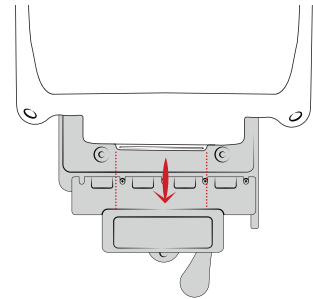
- 9** Wedge top slide cover into top slide. Using pressure, snap into place.



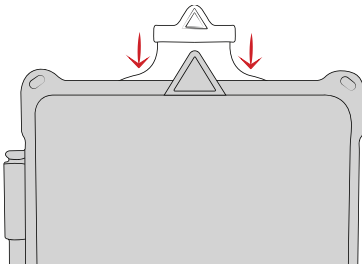
- 10** Pull lever to engage lock.



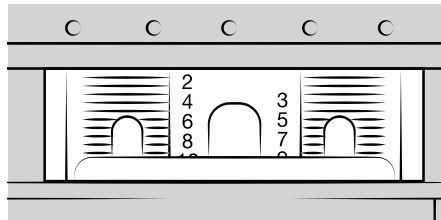
- 11** Place tablet with IntelliSkin® on bottom docking cup.



- 12** Press down on top cup to secure over tablet.

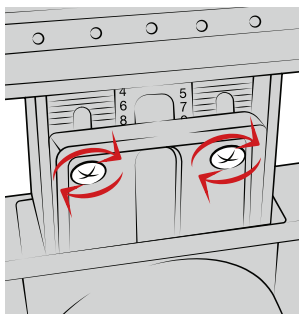


- 13** On the back of the top slide, review the numbers shown in the middle. Take note of the lowest number that is fully visible. This reference will help you in the next step. In this example, the lowest visible number is 8.

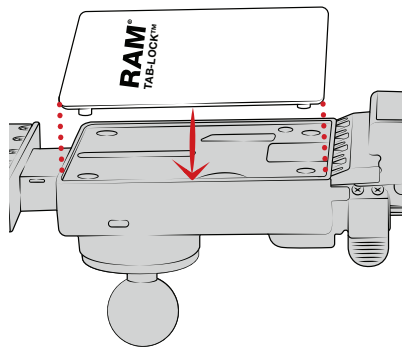


For recommended settings on your specific tablet, visit www.rammount.com/install-gds

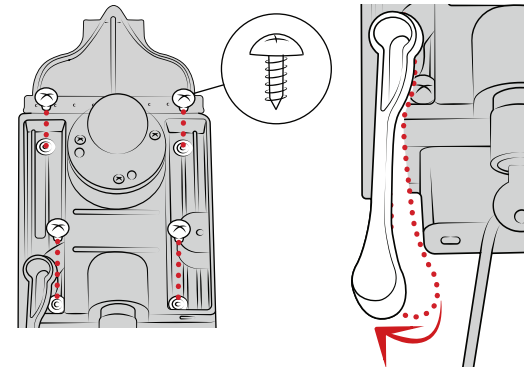
- 14** Remove your tablet. Set your top cup to the appropriate setting using the reference number from step 13. When in place, fully tighten the (M) screws.



- 15** Position front cover over vehicle dock assembly.

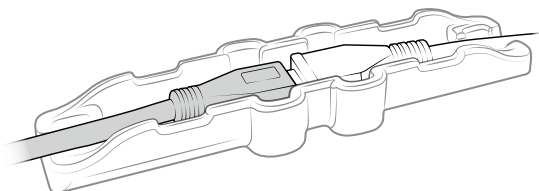


- 16** Secure using (J) screws on back of slide assembly. Lock must be engaged to access all four holes as shown.



Cable Management

- 1** Insert USB cable into the GDS® Dock™ USB receiver. When plugged in, the tablet will detect the power source within two seconds. User must supply a USB wall charger or cigarette adapter with appropriate charging specifications for the mounted device. Once the USB cable is connected with the USB receiver, place both connected cables into the cable housing.



- 2** Secure the two connectors by the 4 small wire ties included and secure the cable housing to the desired surface using the two larger wire ties.

