



Manitowoc
Foodservice
Parts Manual

For more Parts Information:

<https://manitowocfsg.sysonline.com/Default.aspx>

TABLE OF CONTENTS

Manitowoc Foodservice [Updated: Sep. 30, 2013]

Manitowoc - Ice & Related

Parts Catalog

Ice Machine

S Series

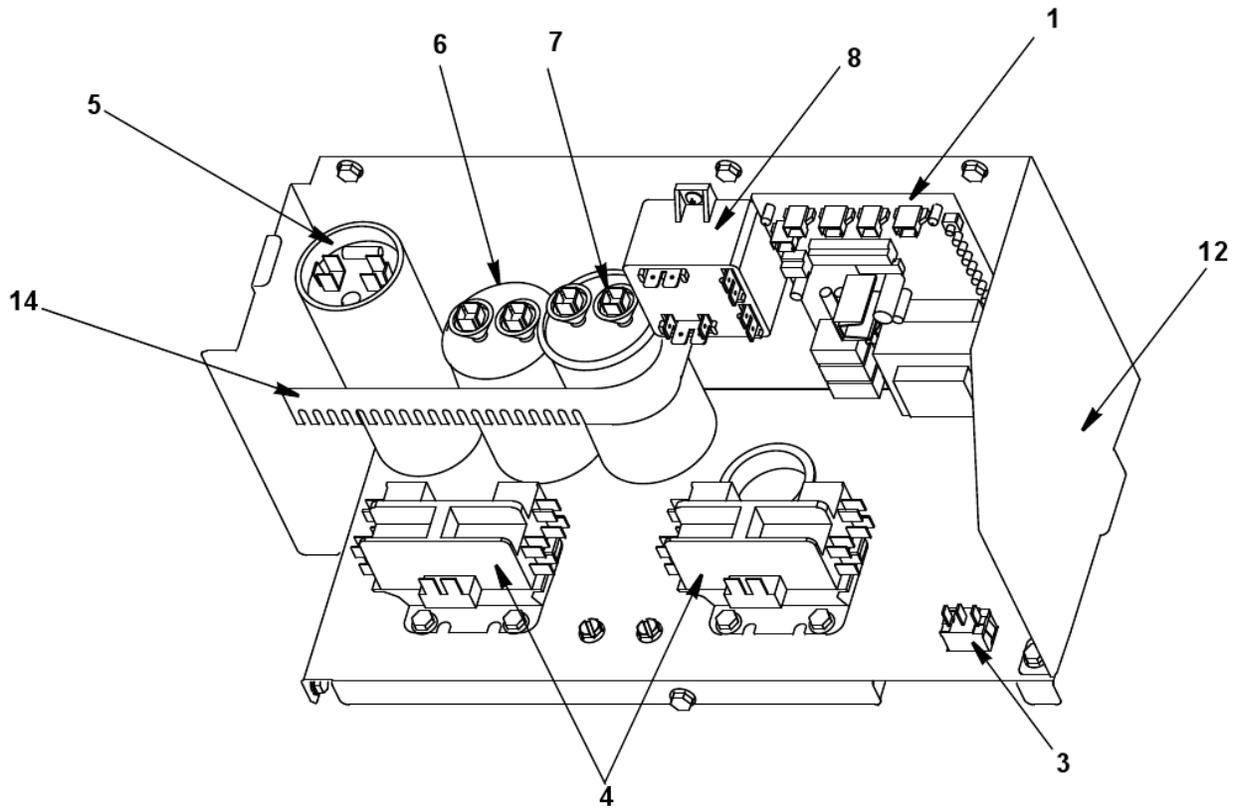
S Model - Flake/Nugget

SF0600, SN0650, JC0495

SF0600/SN0650 Control Box	1
SF0600/SN0650 Evaporator Assembly	3
SF0600/SN0650 Refrigeration Compartment	5
SF0600/SN0650 Refrigeration Compartment Part 2	7
SF0600/SN0650 Refrigeration Compartment - Air-cooled	9
SF0600/SN0650 Refrigeration Compartment - Water-cooled	11
SF0600/SN650 Refrigeration Compartment - Remote	13
SF0600/SN0650 Panels	15
JC0495 Remote Condenser	17

SF0600, SN0650, JC0495

SF0600/SN0650 CONTROL BOX



SF0600, SN0650, JC0495

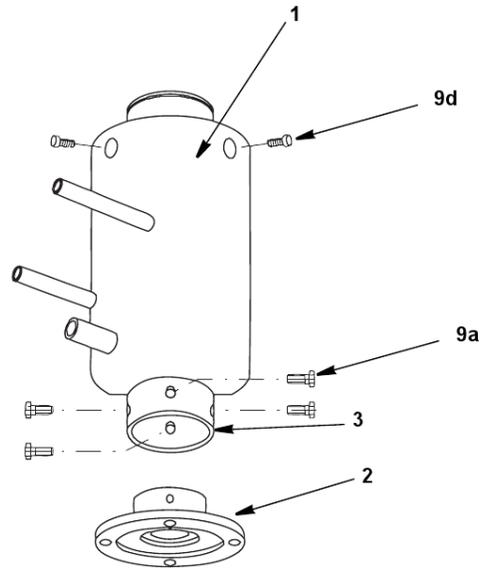
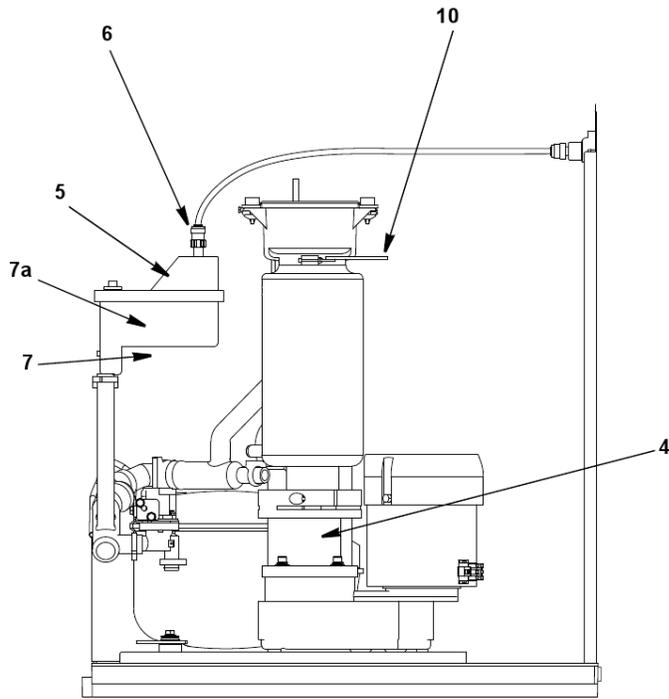
SF0600/SN0650 CONTROL BOX

#	PART #	DESCRIPTION	QTY	Note
1	000001238	Control Board		
1a	4302253	Control Board Mounting Supports		
1b	5202069	Screw - #10-24 x 0.50" HEX		
2	2511493	10 Amp Fuse		
3	2007939	Toggle Switch		
3a	2009973	Compressor to Control Board Wiring Harness		
4		Contactors		[1]
4a	2006589	Contactors - 115V/60 Hz/1 Ph		
4b	2006599	Contactors - 230V/50-60 Hz/1 Ph		
5		Start Capacitors		[2]
5a	8505773	Start Capacitor - 115V/60 Hz/1 Ph		
5b	000000022	Start Capacitor - 230V/50-60 Hz/1 Ph		
6		Gearmotor Run Capacitors		
6a	000000029	Gearmotor Run Capacitor 230V/50-60 Hz/1 Ph		
6b	000000029	Gearmotor Run Capacitor 230V/50-60 Hz/1 Ph		
7		Compressor Run Capacitors		
7a	2010143	Compressor Run Capacitor - 115V/60 Hz/1 Ph		
7b	2009493	Compressor Run Capacitor - 208-230V/50-60 Hz/1 Ph		
8		Start PotentialRelays		
8a	2002053	Start Potential Relay - 115V/60 Hz/1 Ph		
8b	2007929	Start Potential Relay - 208-230V/50-60 Hz/1 Ph		
9		Wiring Harness		[3]
9a	000001433	Wiring Harness 115V/60 Hz/1 ph		
9b	2009943	Wiring Harness 230V/50 Hz/1 ph		
10	2009953	Start Capacitor Wiring Harness		
11	2009963	Compressor to Control Board Wiring Harness		
12	000002866	Control Box		
13	000000934	Control Box Cover		
13a	5202069	Screw - #10-24 x 0.50" HEX		
14	6021601	Capacitor Mounting Strap		
15	5004129	Screw - #6 x 0.5"		
16	5202169	Screw - #10-24 x 0.50" Ground		
17	2501409	Bushing - 0.875"		
18	2500139	Bushing - 1.5"		

PART NOTES:

- [1] - Left = Gearmotor, Right = Compressor
- [2] - Compressor
- [3] - Not shown

SF0600/SN0650 EVAPORATOR ASSEMBLY



SF0600, SN0650, JC0495

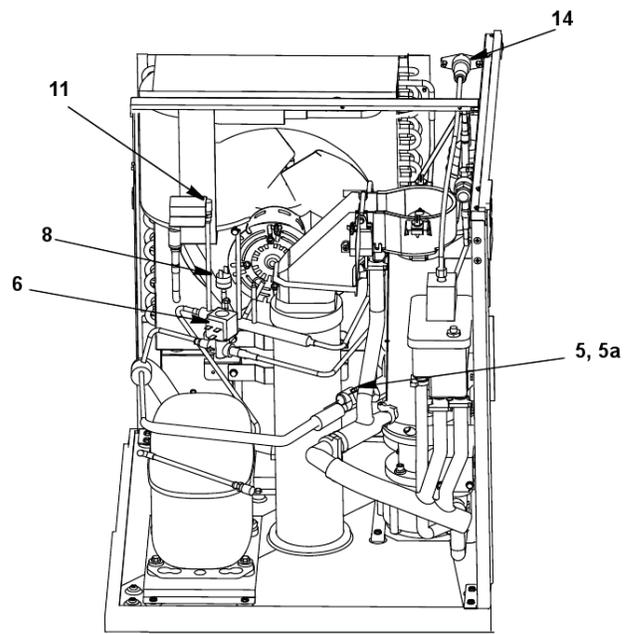
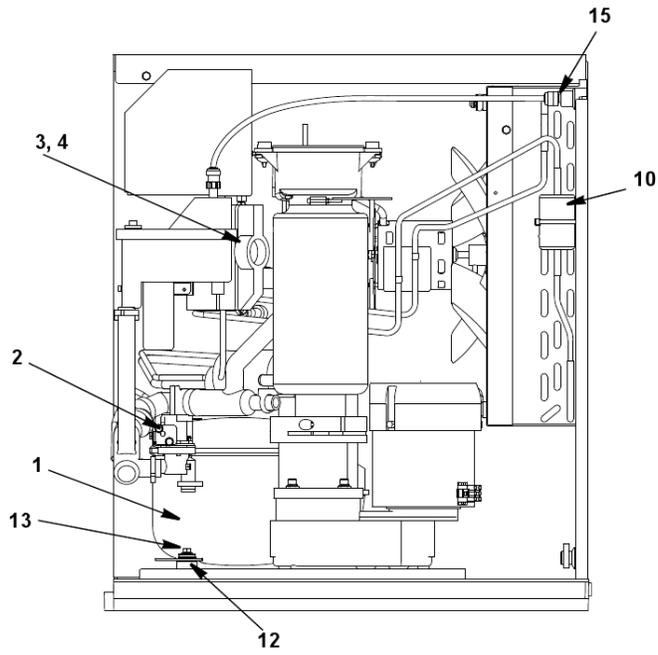
SF0600/SN0650 EVAPORATOR ASSEMBLY

#	PART #	DESCRIPTION	QTY	Note
1		Evaporator Assembly		
1a		Evaporator - Nugget		[1]
1b		Evaporator - Flake		[1]
2	000002945	Evaporator Foundation		
3	000003060	Coupler		
4		Gear Motor Assembly		
4a	000002088	Gearmotor Assembly - 50 Hz		
4b	2009553	Gearmotor Assembly - 60 Hz		
5	000006516	Float Chamber Assembly		[2]
5a	2008633	Float Switch Only		
5b	000006515	Float Chamber Only		
6	5650729	Compression Nut		
7	6072531	Float Valve Bracket		
7a	5202069	Screw - #10-24 x 0.50" HEX		
8	6071881	Gearmotor Bracket		
8a	5000293	Screw		
9		Evaporator Mounting to Gear Motor		
9a	5000273	Bolt		
9b	5573049	Flatwasher		
9c	5545119	Mounting - Lockwasher		
9d	5000269	Screw		
9e	5006203	O-ring		
10	000000464	Clamp Assembly		[3]

PART NOTES:

- [1] - No Longer Available
- [2] - includes float, switch, cover & housing
- [3] - secures evaporator to ice chute

SF0600/SN0650 REFRIGERATION COMPARTMENT



SF0600, SN0650, JC0495

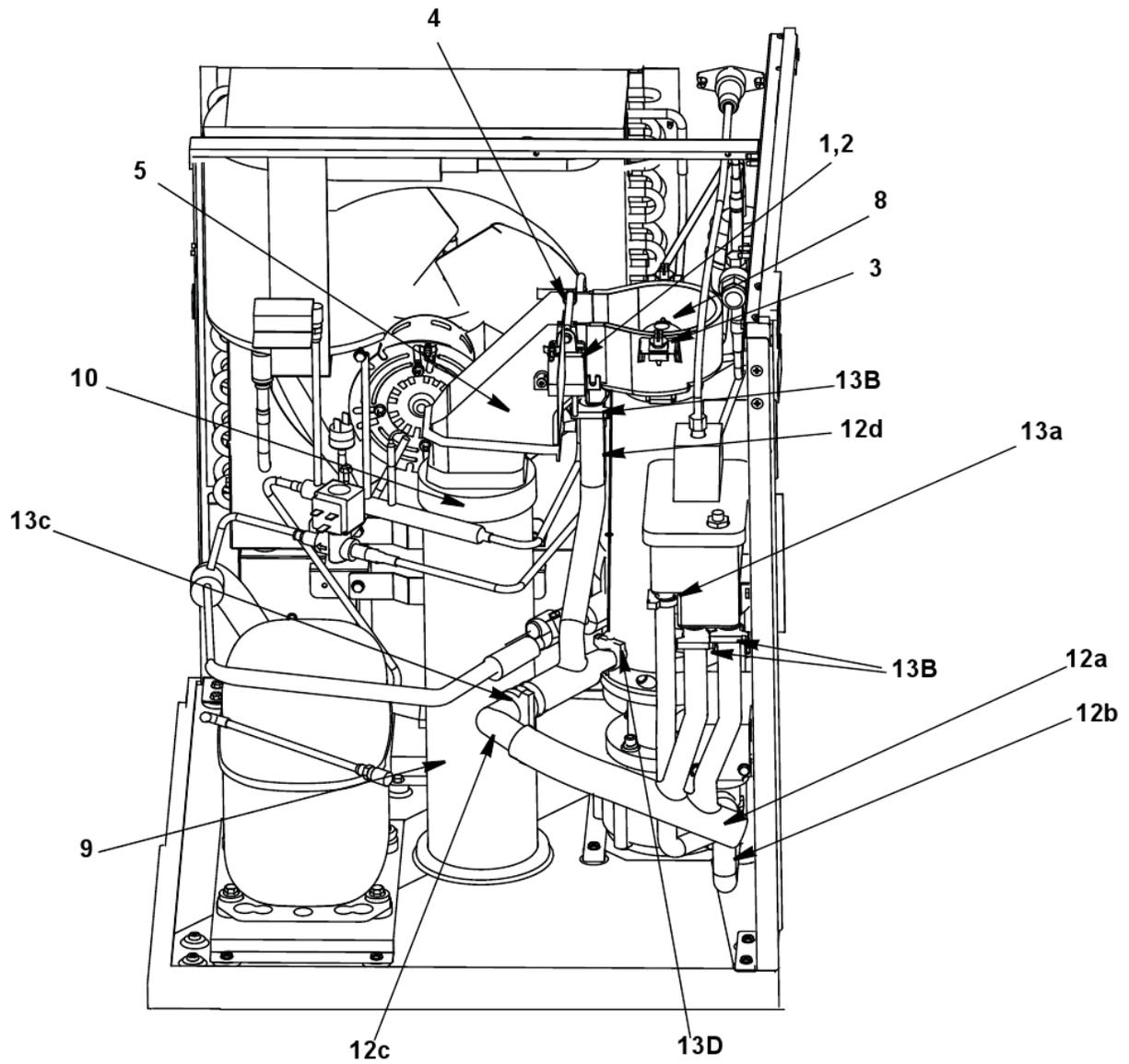
SF0600/SN0650 REFRIGERATION COMPARTMENT

#	PART #	DESCRIPTION	QTY	Note
1		Compressor		
1a	7602943	Compressor - Danfoss SC18MLX.3 - 115V/60 Hz/1 Ph		
1b	7602963	Compressor - Danfoss SC18MX.3 - 208-230V/50 Hz/1 Ph		
1c	8252973	Compressor Overload - 115V/60 Hz/1 Ph		
2		Water Dump Valve		
2a	000007429	Water Dump Valve 115V		
2b	000007428	Water Dump Valve 208-240V		
3		Expansion Valve		
3a	000000937	Expansion Valve - Nugget		
3b	000000635	Expansion Valve - Flake		
4	4000403	Valve Insulation Boot - Body		
5	4007203	Valve Insulation Boot - Bulb		[1]
5a	3000833	Strap - Expansion Valve Bulb - 0.375"		
5b	5650529	Clamp - Expansion Valve Bulb		
6		Liquid Line Solenoid Valve		
6a	7630021	Solenoid Valve 115V		
6b	7630081	Solenoid Valve 208-230V		
7		Liquid Line Solenoid Coil		
7a	000005156	Danfoss Solenoid Valve Coil Only - 115V/60 Hz		[2]
7b	000005157	Danfoss Solenoid Valve Coil Only - 230V/50-60 Hz		[3]
8	2001243	High Pressure Cut-out Control		
9	8310233	Manifold Strainer		
10	8930259	Drier		
11	8373253	Access Valve		
12	6071891	Compressor Base		
12a	5012319	Screw - #12-16 x 0.75"		
13		Compressor Mounting		
13a	5000899	Compressor Rubber Grommet		
13b	5000939	Compressor Mounting - Screw		
13c	5000909	Compressor Mounting - Sleeve		
13d	5000979	Compressor Mounting - Washer		
14	8706093	Female Wing Adapter - 0.375"		
14a	5202069	Screw - #10-24 x 0.50" HEX		
15	1360961	Male Connector		
16		Water Inlet Tubing		[4]
17	6042901	Water Inlet Tubing Insulation		
18	000000008	Water Dump Valve Guard		
18a	520232	Screw		

PART NOTES:

- [1] - \pages from 400720_08.jpg" width=923 height=583>
- [2] - \pages from 000005156_02.jpg" width=280 height=256>
- [3] - \pages from 000005156_02.jpg" width=266 height=183>
- [4] - No Longer Available

SF0600/SN0650 REFRIGERATION COMPARTMENT PART 2



SF0600, SN0650, JC0495

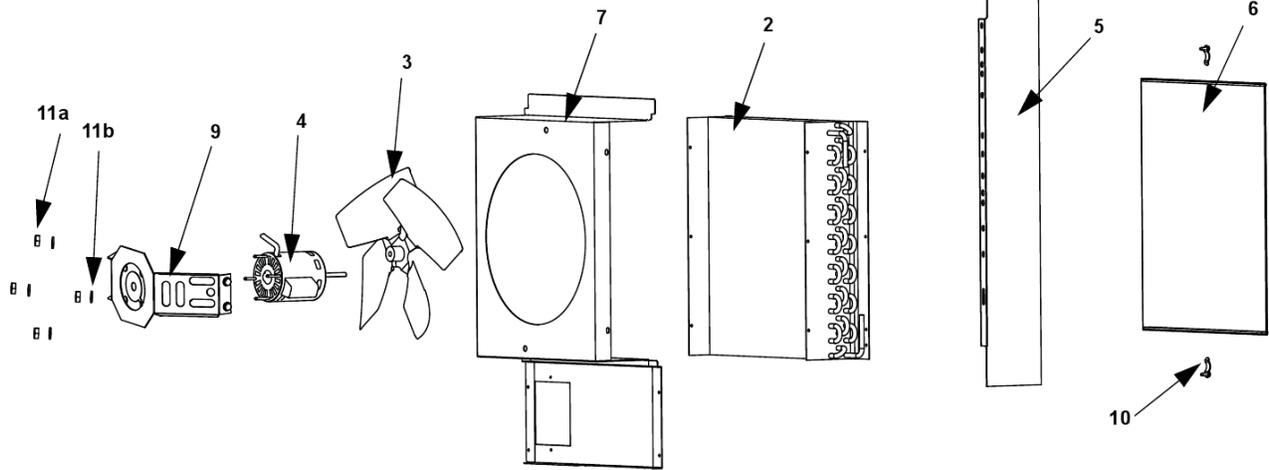
SF0600/SN0650 REFRIGERATION COMPARTMENT PART 2

#	PART #	DESCRIPTION	QTY	Note
1	2009793	Hall Effect Switch with Wiring		
2	2009803	Hall Effect Switch Housing		
2a	5121629	Screw		
3	5650853	Receptacle		
3a	5000453	Wing-head Mounting Stud		
4		Damper Door		
4a	4014443	Damper Door Nugget		
4b	00000710	Damper Door Flake		
5	4013363	Ice Chute		
6	4014883	Strainer Ramp		
7	4013463	Chute Cover - sits on receptacle		
8		Ice Wiper		
8a	000002062	Ice Wiper - Nugget		
8b	00000485	Ice Wiper - Flake		
9	4015673	Ice Tube Base		
10	4015663	Ice Chute/Ice Tube Union		
11		Secure Ice Chute to Evaporator		
11a	00000464	Clamp Assembly		
12		Molded Vinyl Tubes		
12a	00000003	Float Chamber Tube		
12b	00000007	Drain		
12c	00000009	Elbow		[1]
12d	00000005	Ice Chute Drain Tube		
13		Snap Clamps		
13a	5650539	Snap Clamp - 1.123 x 1.296		
13b	5650709	Snap Clamp - 0.799"/0.899" ID		
13c	5650993	Snap Clamp - 3/4" ID		
13d	5650649	Hose Clamp - 0.759"/0.848" ID		

PART NOTES:

[1] - connects Float Chamber Tube to Ice Chute Drain Tube

SF0600/SN0650 REFRIGERATION COMPARTMENT - AIR-COOLED

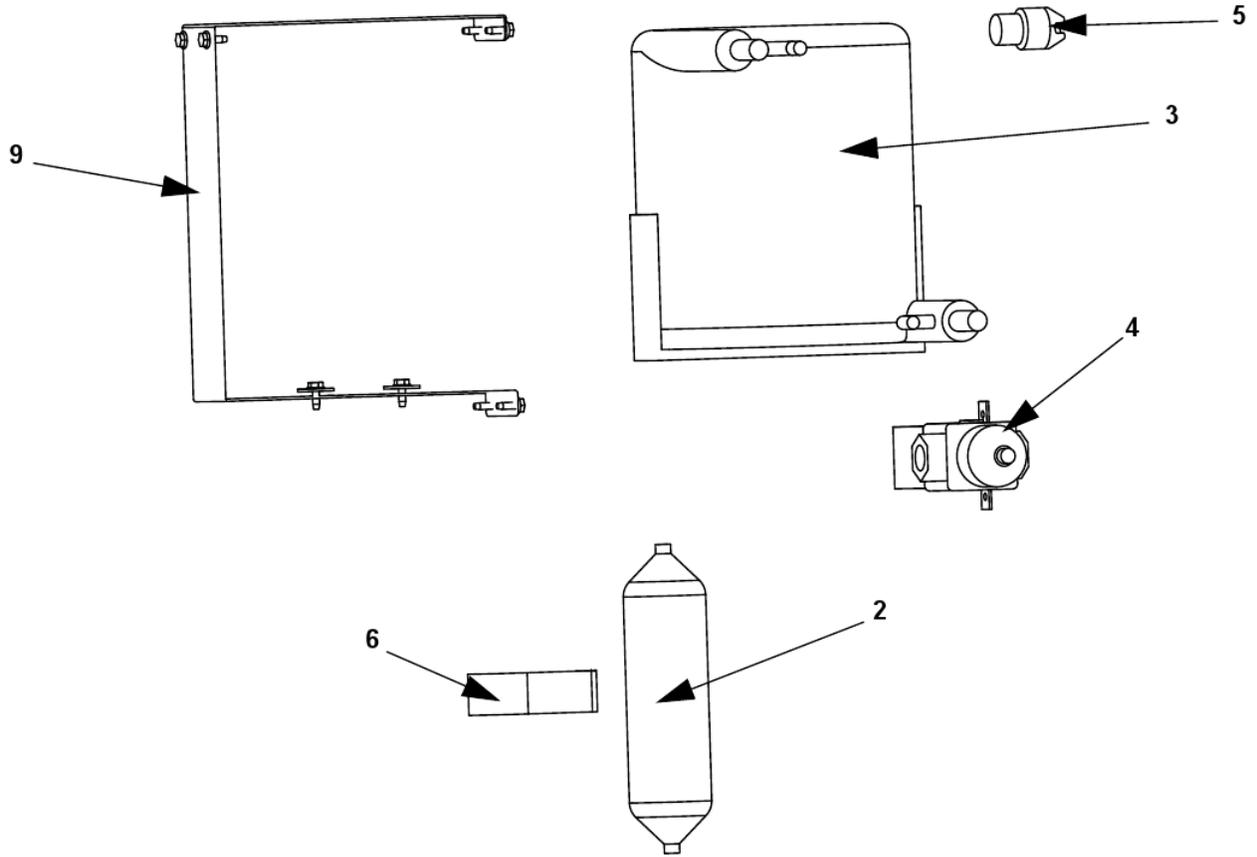


SF0600, SN0650, JC0495

SF0600/SN0650 REFRIGERATION COMPARTMENT - AIR-COOLED

#	PART #	DESCRIPTION	QTY	Note
1		Compressor (Refer to COMMON PARTS PAGE)		
2	8252139	Air Condenser		
3	2416203	Fan Blade		
4		Fan Motor		
4a	2008243	Fan Motor - 115V/60 Hz/1 Ph		
4b	2008253	Fan Motor 208-230V/60 Hz or 230V/50 Hz		
5	4015323	Air Baffle		
6	3005563	Air Filter		
7	6073201	Fan Shroud		
8	5032389	Fan Bracket Mounting Screw		
9	6072461	Fan Motor Bracket		
10	5650699	Air Filter Clip		
11		Fan Motor to Bracket Mounting		
11a	00000936	Nut		
11b	5573059	Mounting - Flatwasher		
12		Back Corner Channel		
12a	6072321	Back Corner Channel Right		
12b	6072311	Back Corner Channel Left		

SF0600/SN0650 REFRIGERATION COMPARTMENT - WATER-COOLED

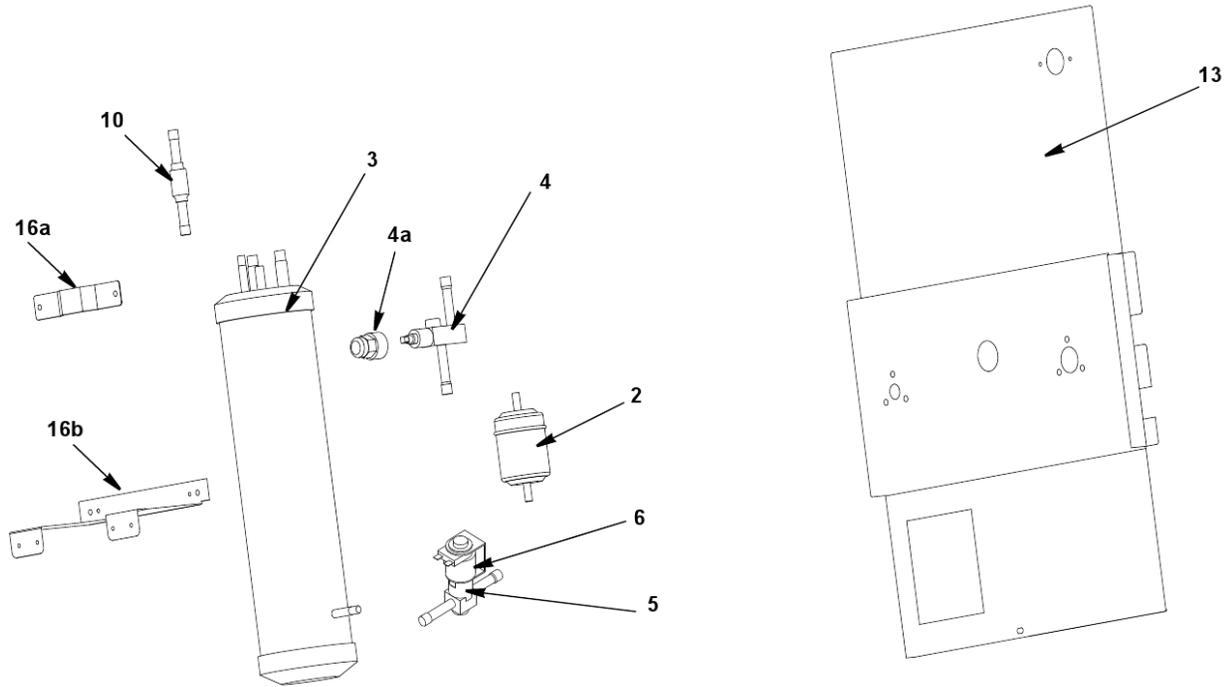


SF0600, SN0650, JC0495

SF0600/SN0650 REFRIGERATION COMPARTMENT - WATER-COOLED

#	PART #	DESCRIPTION	QTY	Note
1		Compressor (Refer to COMMON PARTS Page)		
2	000008892	Receiver		
3	8865323	Water-Cooled Condenser		
4	8372069	Water Regulating Valve		
5	8706103	Female Wing Adapter - 0.50"		
6	6000541	Receiver Strap		
7	5202069	Screw - #10-24 x 0.50" HEX		
8	5573419	Washer		
9	000000125	Water Condenser Bracket		
10		Back Corner Channel		
10a	6072361	Back Corner Channel Right		
10b	6072311	Back Corner Channel Left		

SF0600/SN650 REFRIGERATION COMPARTMENT - REMOTE



SF0600, SN0650, JC0495

SF0600/SN650 REFRIGERATION COMPARTMENT - REMOTE

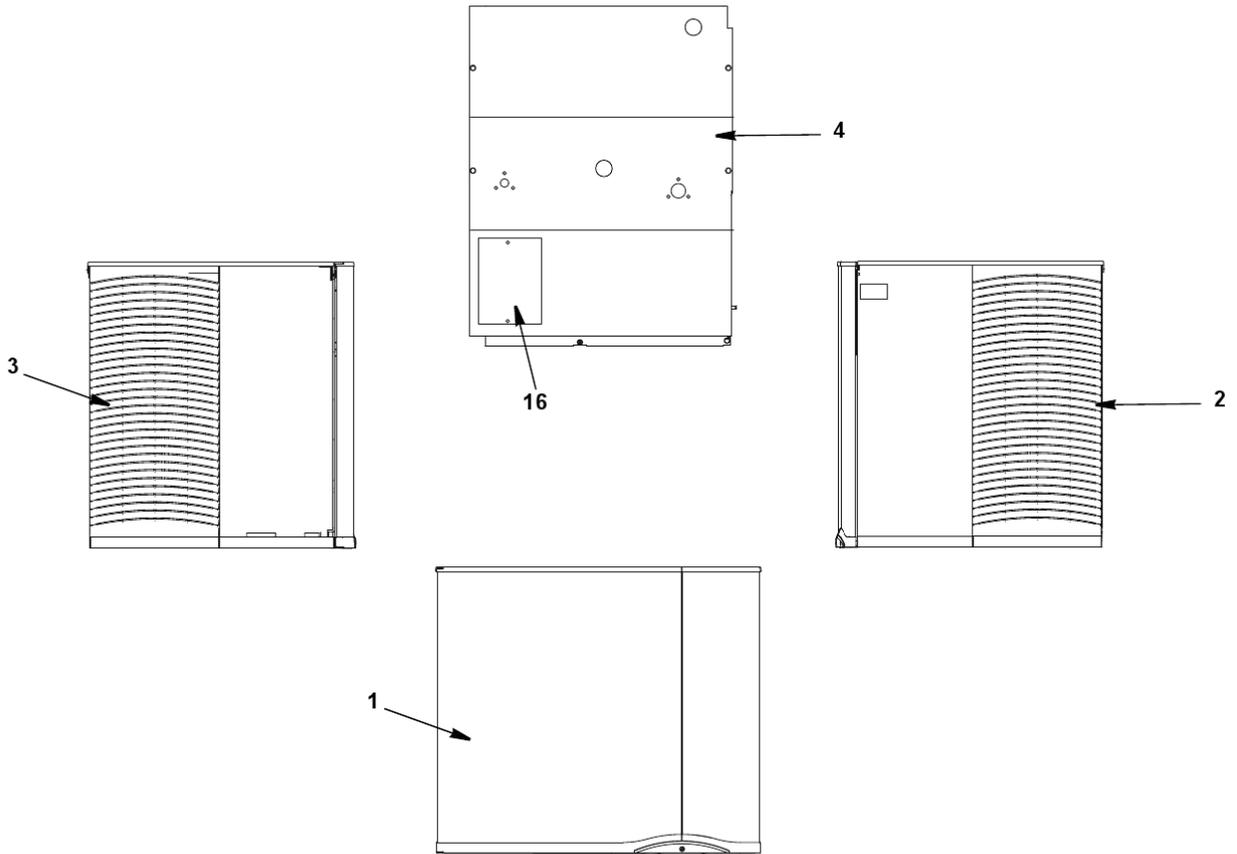
#	PART #	DESCRIPTION	QTY	Note
1		Compressor (Refer to COMMON PARTS)		
2	8253323	Drier		
3	8250583	Receiver		
4	8373169	Receiver Service Valve		
4a	5650759	Cap for Refrigeration Service Valve		
5		Liquid Line Solenoid Valve		
5a	7630021	Solenoid Valve 115V		
5b	7630081	Solenoid Valve 208-230V		
6		Liquid Line Solenoid Coil		
6a	000005156	Danfoss Solenoid Valve Coil Only - 115V/60 Hz		[1]
6b	000005157	Danfoss Solenoid Valve Coil Only - 230V/50-60 Hz		[2]
7	8360343	Coupling - Male - 5/8-18		
8	8360353	Coupling - Male - 1-1/6-12		
9	5000673	Coupling Male Reducing 3/8" x 1/4"		
10	8373149	Magni-Check Valve - 0.375"		
11	8360053	Coupling Mounting Flange for 5/8-18		
12	8360063	Coupling Mounting Flange for 1-1/16-12		
13	6072571	Back Panel, Water		
14	5202069	Screw - #10-24 x 0.50" HEX		
15	5474889	Pushnut, Bolt Retainer		
16		Receiver Mounting		
16a	6072881	Bracket - Top		
16b	6073091	Bracket - Middle		
17		Back Corner Channel		
17a	6072361	Back Corner Channel Right		
17b	6072311	Back Corner Channel Left		

PART NOTES:

- [1] - \pages from 000005156_02.jpg" width=280 height=256>
- [2] - \pages from 000005156_02.jpg" width=266 height=183>

SF0600, SN0650, JC0495

SF0600/SN0650 PANELS

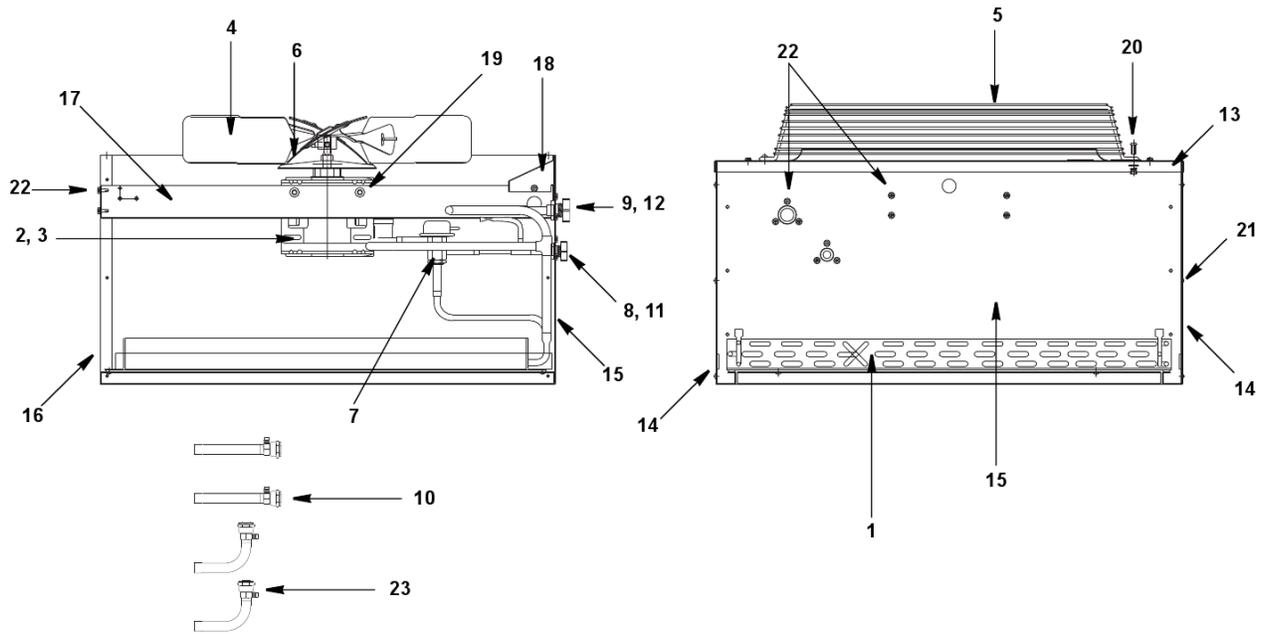


SF0600, SN0650, JC0495

SF0600/SN0650 PANELS

#	PART #	DESCRIPTION	QTY	Note
1	6072601	Front Panel		
2	6060541	Right Side Panel		
3	6060551	Left Side Panel		
4	6072571	Back Panel, Water		
5	4012029	Top Cover		
6	4015323	Air Baffle		
7	3005563	Air Filter		
8	00000260	Front Panel - Shoulder Bolt		
8a	00000305	Front Panel - Nut		
9	5650699	Air Filter Clip		
10	00000263	Top Cover Bracket		
11	00000010	Top Front Bracket		
12	6072561	Top Support Brace		
13	000002867	Front Corner Channel		
13a	5012319	Screw - #12-16 x 0.75"		
14	6072371	Top Channel		
14a	5202069	Screw - #10-24 x 0.50" HEX		
15		Back Panel		
15a	5012319	Screw - #12-16 x 0.75"		
15b	5202099	Screw - #10-24 x 0.50" PHIL		
16	6067299	Rear Connection Box Cover		
17	6067289	Rear Connection Box		
17a	2006143	Terminal Block - 50 Hz - 3 Pole		
17b	2008503	Ground Wire		
17c	5202169	Screw - #10-24 x 0.50" Ground		
18	7112389	Cartoning		

JC0495 REMOTE CONDENSER



SF0600, SN0650, JC0495

JC0495 REMOTE CONDENSER

#	PART #	DESCRIPTION	QTY	Note
1	8850639	Air Condenser		
2	7629423	Fan Motor - 115V/60 Hz/1 Ph		
3		Fan Motor Run Capacitor		[1]
4	2416113	Fan Blade		
5	3400643	Fan Guard		
6	2415053	Rain Slinger		
7	000004070	Head Pressure Control Valve		
8	8360343	Coupling - Male - 5/8-18		
9	8360353	Coupling - Male - 1-1/6-12		
10	K0129	Female Line Set Coupling Kit		
11	8360053	Coupling Mounting Flange for 5/8-18		
12	8360063	Coupling Mounting Flange for 1-1/16-12		
13	6017751	Top Cover		
14	6017741	Panel - Side		
15	6017731	Panel - Rear		
16	6017721	Panel - Front		
17	6017681	Fan Motor Mounting Bracket		
18	6017761	Electrical Box Cover		
19	5035659	Fan Motor Mounting Screw		
19a	5573099	Mounting - Flatwasher		
19b	5573139	Mounting - Lockwasher		
19c	5429759	Mounting - Hexnut		
20	5033459	Screw - 1/4-20 x 0.625"		
20a	5573049	Flatwasher		
20b	5545119	Mounting - Lockwasher		
20c	5429529	Mounting - Hexnut		
21	5121539	Panel/Condenser Mounting Screw - #8 x 0.50"		
21a	5544599	Panel/Condenser Mounting Lockwasher		
22	5202069	Screw - #10-24 x 0.50" HEX		
23	7626843	Valve Cores		
24	7108369	Cartoning		

PART NOTES:

[1] - No Longer Available