



***Manitowoc***  
**Foodservice**  
**Parts Manual**

For more Parts Information:

<https://manitowocfsg.sysonline.com/Default.aspx>

# TABLE OF CONTENTS

Manitowoc Foodservice [Updated: Sep. 30, 2013]

Manitowoc - Ice & Related

Parts Catalog

Ice Machine

S Series

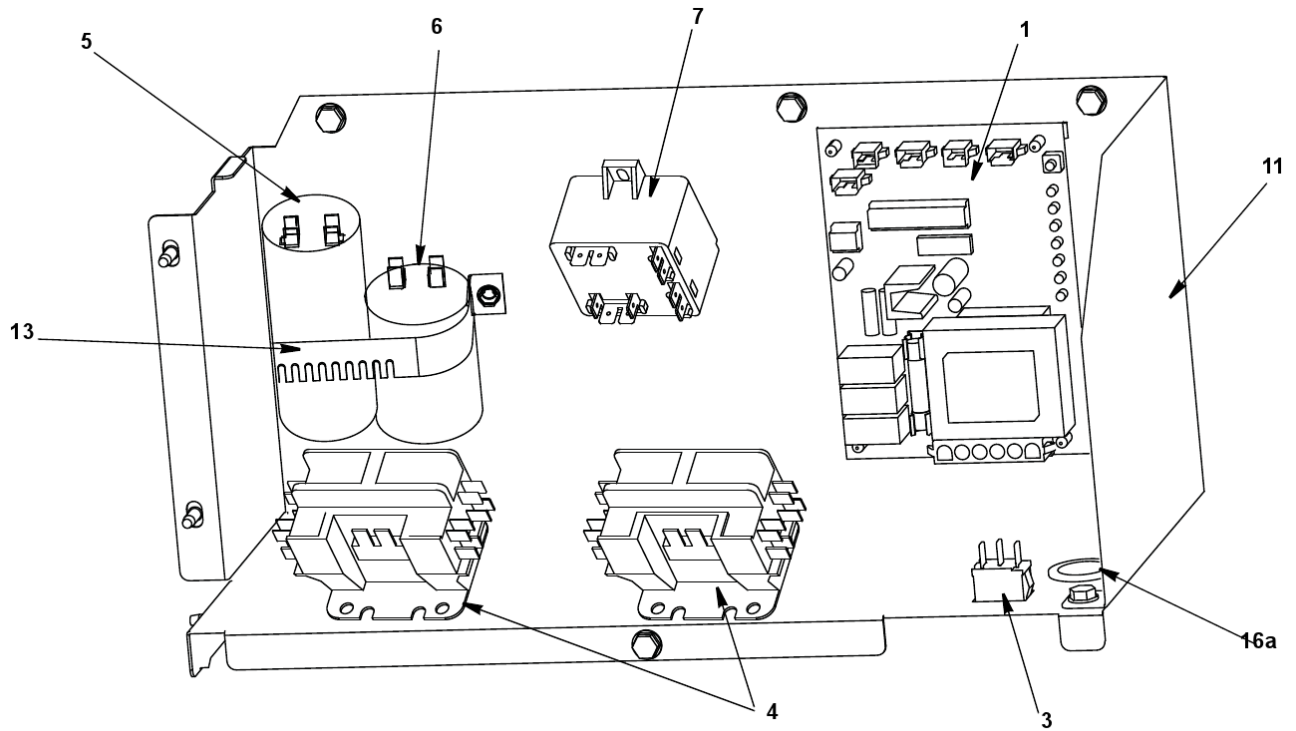
S Model - Flake/Nugget

SF0400, SN0450

SF0400 SN0450 Control Box.....	1
SF0400/SN0450 Evaporator Assembly.....	3
SF0400/SN0450 Refrigeration Compartment.....	5
SF0400/SN0450 Refrigeration Compartment Part 2.....	7
SF0400/SN0450 Refrigeration Compartment - Air-cooled.....	9
SF0400/SN0450 Refrigeration Compartment - Water-cooled.....	11
SF0400/SN0450 Panels.....	13

# SF0400, SN0450

## SF0400 SN0450 CONTROL BOX



# SF0400, SN0450

## SF0400 SN0450 CONTROL BOX

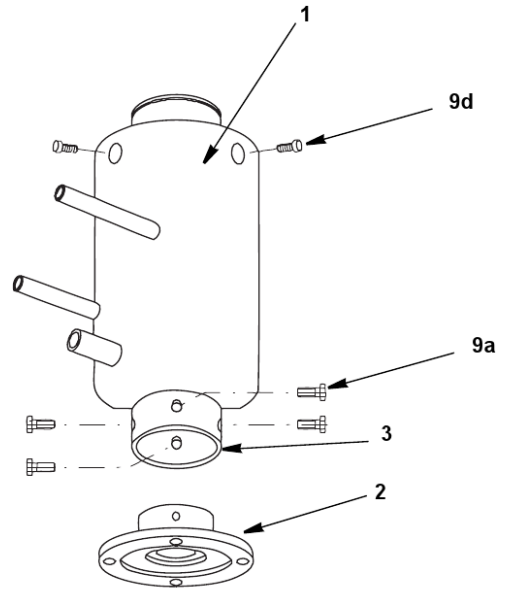
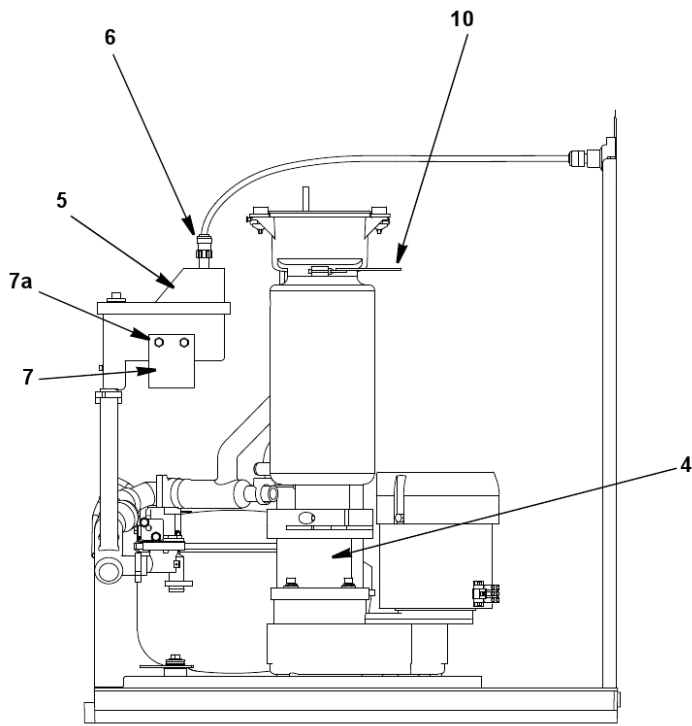
#	PART #	DESCRIPTION	QTY	Note
1	000001238	Control Board		
1a	4302253	Control Board Mounting Supports		
1b	5202069	Screw - #10-24 x 0.50" HEX		
2	2511493	10 Amp Fuse		[1]
3	2007939	Toggle Switch		
3a	2009973	Compressor to Control Board Wiring Harness		
4		Contactor		
4a	2006589	Contactor - 115V/60 Hz/1 Ph		
4b	2006599	Contactor - 230V/50-60 Hz/1 Ph		
5		Start Capacitor		[2]
5a	8505773	Start Capacitor - 115V/60 Hz/1 Ph		
5b	000000022	Start Capacitor - 230V/50-60 Hz/1 Ph		
6		Run Capacitor		[3]
6a	000000029	Gearmotor Run Capacitor 230V/50-60 Hz/1 Ph		
6b	000000029	Gearmotor Run Capacitor 230V/50-60 Hz/1 Ph		
7		Start Relay		[2]
7a	2002053	Start Potential Relay - 115V/60 Hz/1 Ph		
7b	2002103	Start Potential Relay - 230V/50-60 Hz/1 Ph		
8		Wiring Harness		[1]
8a	000001433	Wiring Harness 115V/60 Hz/1 ph		
8b	2009943	Wiring Harness 230V/50 Hz/1 ph		
9	000000080	Start Capacitor Wiring Harness		
10	2009963	Compressor to Control Board Wiring Harness		
11	000002866	Control Box		
12	000000934	Control Box Cover		[1]
12a	5202069	Screw - #10-24 x 0.50" HEX		
13	6021601	Capacitor Mounting Strap		
14	5004129	Screw - #6 x 0.5"		[4]
15	5202169	Screw - #10-24 x 0.50" Ground		
16		Bushings		

### PART NOTES:

- [1] - Not shown
- [2] - Compressor
- [3] - Gearmotor
- [4] - 10-24 x 3/8

# SF0400, SN0450

## SF0400/SN0450 EVAPORATOR ASSEMBLY



# SF0400, SN0450

## SF0400/SN0450 EVAPORATOR ASSEMBLY

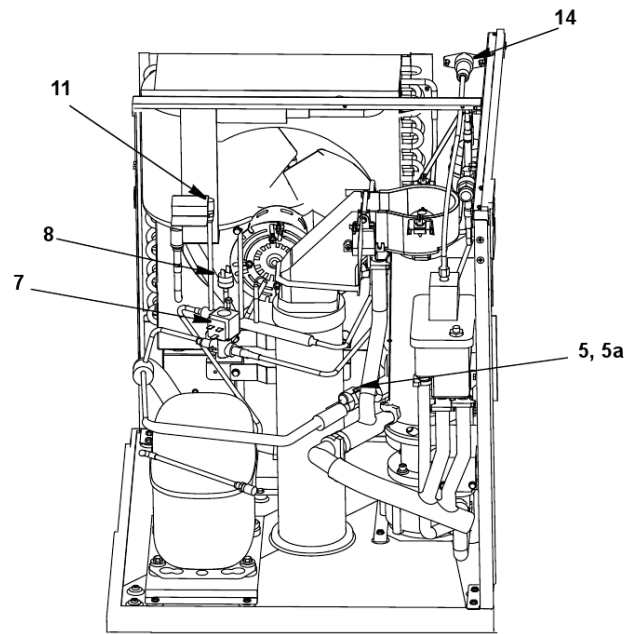
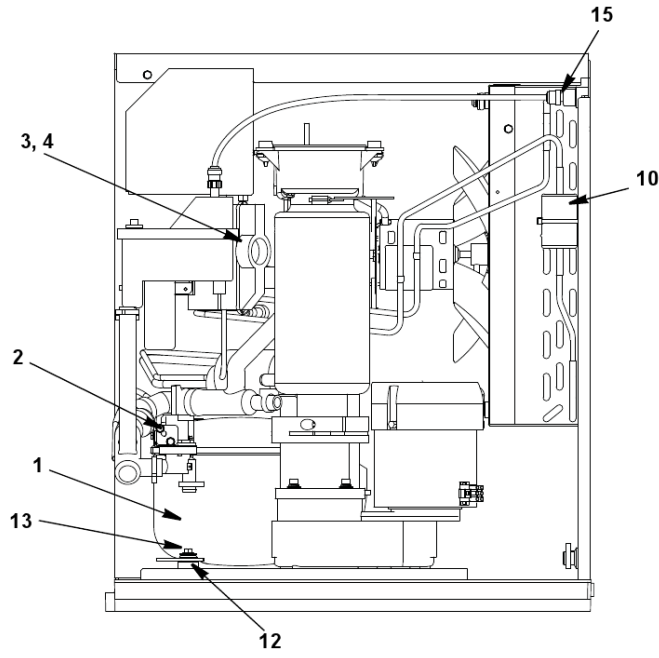
#	PART #	DESCRIPTION	QTY	Note
1		Evaporator Assembly		
1a	3006743	Nugget		
1b	00000482	Flake		
2	000002945	Evaporator Foundation		
3	000003060	Coupler		
4		Gear Motor Assembly		
4a	000002088	Gearmotor Assembly - 50 Hz		
4b	2009553	Gearmotor Assembly - 60 Hz		
5	000006516	Float Chamber Assembly		[1]
5a	2008633	Float Switch Only		
5b	000006515	Float Chamber Only		
6	5650729	Compression Nut		
7	6072531	Float Valve Bracket		
7a	5202069	Screw - #10-24 x 0.50" HEX		
8	6071881	Gearmotor Bracket		
8a	5000293	Screw		
9		Evaporator Mounting to Gear Motor		
9a	5000273	Bolt		
9b	5573049	Flatwasher		
9c	5545119	Mounting - Lockwasher		
9d	5000269	Screw		
9e	5006203	O-ring		
10	00000464	Clamp Assembly		[2]

### PART NOTES:

- [1] - includes float, switch, cover & housing
- [2] - secures evaporator to ice chute

# SF0400, SN0450

## SF0400/SN0450 REFRIGERATION COMPARTMENT



# SF0400, SN0450

## SF0400/SN0450 REFRIGERATION COMPARTMENT

#	PART #	DESCRIPTION	QTY	Note
1		Compressor		
1a	7601363	Compressor - Danfoss - 115V/60 Hz/1 Ph		
1b	7601373	Compressor - Danfoss - 230V/50 Hz/1 Ph		
1c	8251403	Overload - 115V/60 Hz/1 Ph		
2		Water Dump Valve		
2a	000007429	Water Dump Valve 115V		
2b	000007428	Water Dump Valve 208-240V		
3	000000935	Expansion Valve		
4	4000403	Valve Insulation Boot - Body		
5	4007203	Valve Insulation Boot - Bulb		[1]
5a	3000833	Strap - Expansion Valve Bulb - 0.375"		
5b	5650529	Clamp - Expansion Valve Bulb		
6		Liquid Line Solenoid Valve		
6a	7630021	Solenoid Valve 115V		
6b	7630081	Solenoid Valve 208-230V		
7		Liquid Line Solenoid Coil		
7a	000005156	Danfoss Solenoid Valve Coil Only - 115V/60 Hz		[2]
7b	000005157	Danfoss Solenoid Valve Coil Only - 230V/50-60 Hz		[3]
8	2001243	High Pressure Cut-out Control		
9	8310233	Manifold Strainer		
10	8930259	Drier		
11	8373253	Access Valve		
12	6071891	Compressor Base		
12a	5012319	Screw - #12-16 x 0.75"		
13		Compressor Mounting		
13a	5000899	Compressor Rubber Grommet		
13b	5000939	Screw		
13c	5000909	Sleeve		
13d	5000979	Washer		
14	8706093	Female Wing Adapter - 0.375"		
14a	5202069	Screw - #10-24 x 0.50" HEX		
15	1360961	Male Connector		
16		Water Inlet Tubing 1/4"		[4]
17	6042901	Water Inlet Tubing Insulation		[5]
18	000000008	Water Dump Valve Guard		
18a	5202329	Screw - #10-24 x 0.25" PH		

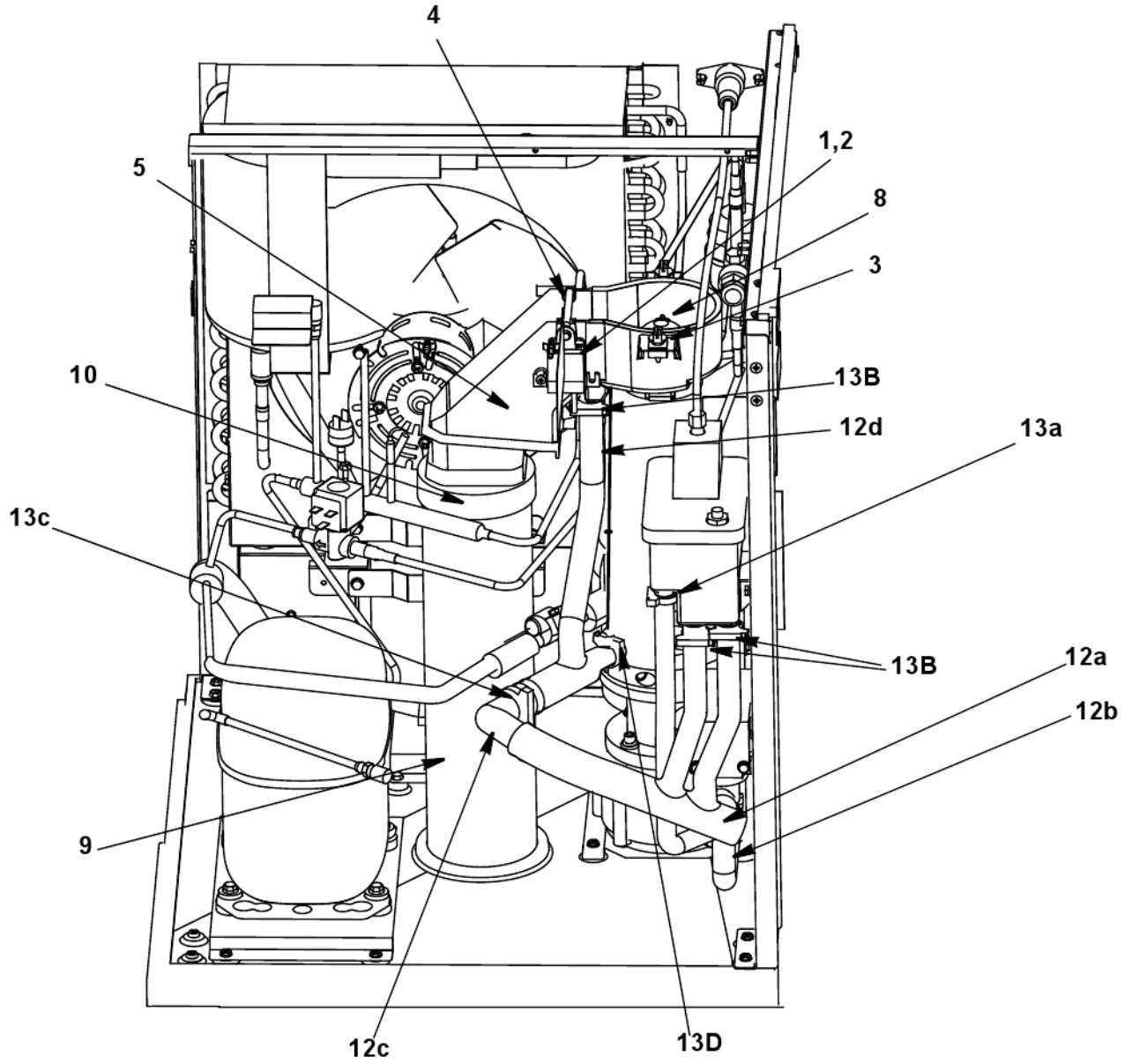
### PART NOTES:

- [1] - \pages from 400720\_08.jpg" width=923 height=583>
- [2] - \pages from 000005156\_02.jpg" width=280 height=256>
- [3] - \pages from 000005156\_02.jpg" width=266 height=183>
- [4] - No Longer AvailableNot shown
- [5] - Not shown



# SF0400, SN0450

## SF0400/SN0450 REFRIGERATION COMPARTMENT PART 2



# SF0400, SN0450

## SF0400/SN0450 REFRIGERATION COMPARTMENT PART 2

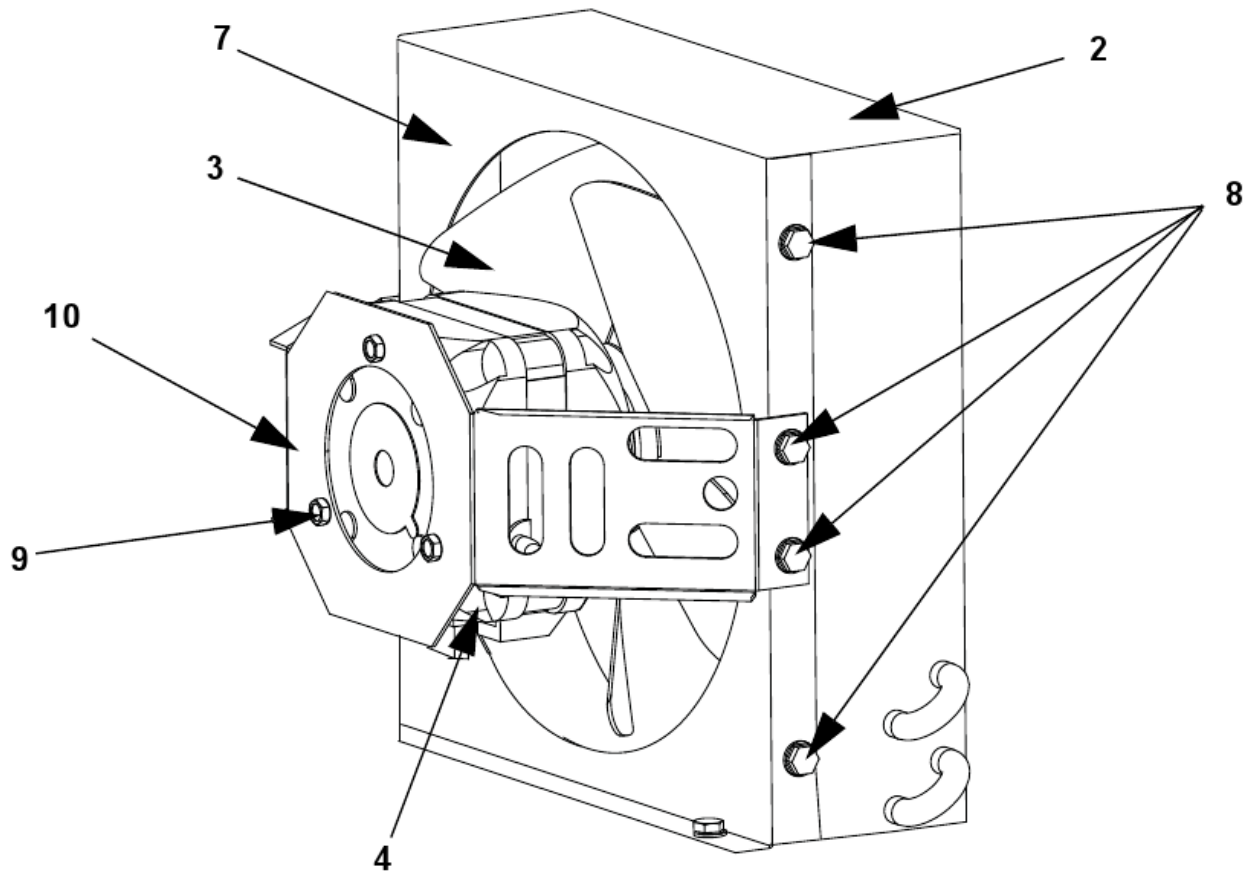
#	PART #	DESCRIPTION	QTY	Note
1	2009793	Hall Effect Switch with Wiring		
2	2009803	Hall Effect Switch Housing		
2a	5121629	Screw		
3	5650853	Receptacle		
3a	5000453	Wing-head Mounting Stud		
4		Damper Door		
4a	4014443	Damper Door Nugget		
4b	00000710	Damper Door Flake		
5	4013363	Ice Chute		
6	4014883	Strainer Ramp		
7	4013463	Chute Cover - sits on receptacle		
8		Ice Wiper		
8a	000002062	Ice Wiper - Nugget		
8b	00000485	Ice Wiper - Flake		
9	4015753	Ice Tube Base		[1]
10	4015663	Ice Chute/Ice Tube Union		
11		Secure Ice Chute to Evaporator		
11a	00000464	Clamp Assembly		
12		Molded Vinyl Tubes		
12a	00000003	Float Chamber Tube		
12b	00000007	Drain		
12c	00000009	Elbow		[2]
12d	00000005	Ice Chute Drain Tube		
13		Snap Clamps		
13a	5650539	Snap Clamp - 1.123 x 1.296		
13b	5650709	Snap Clamp - 0.799"/0.899" ID		
13c	5650993	Snap Clamp - 3/4" ID		
13d	5650649	Hose Clamp - 0.759"/0.848" ID		

**PART NOTES:**

- [1] - Discontinued
- [2] - connects Float Chamber Tube to Ice Chute Drain Tube

# SF0400, SN0450

## SF0400/SN0450 REFRIGERATION COMPARTMENT - AIR-COOLED



# SF0400, SN0450

## SF0400/SN0450 REFRIGERATION COMPARTMENT - AIR-COOLED

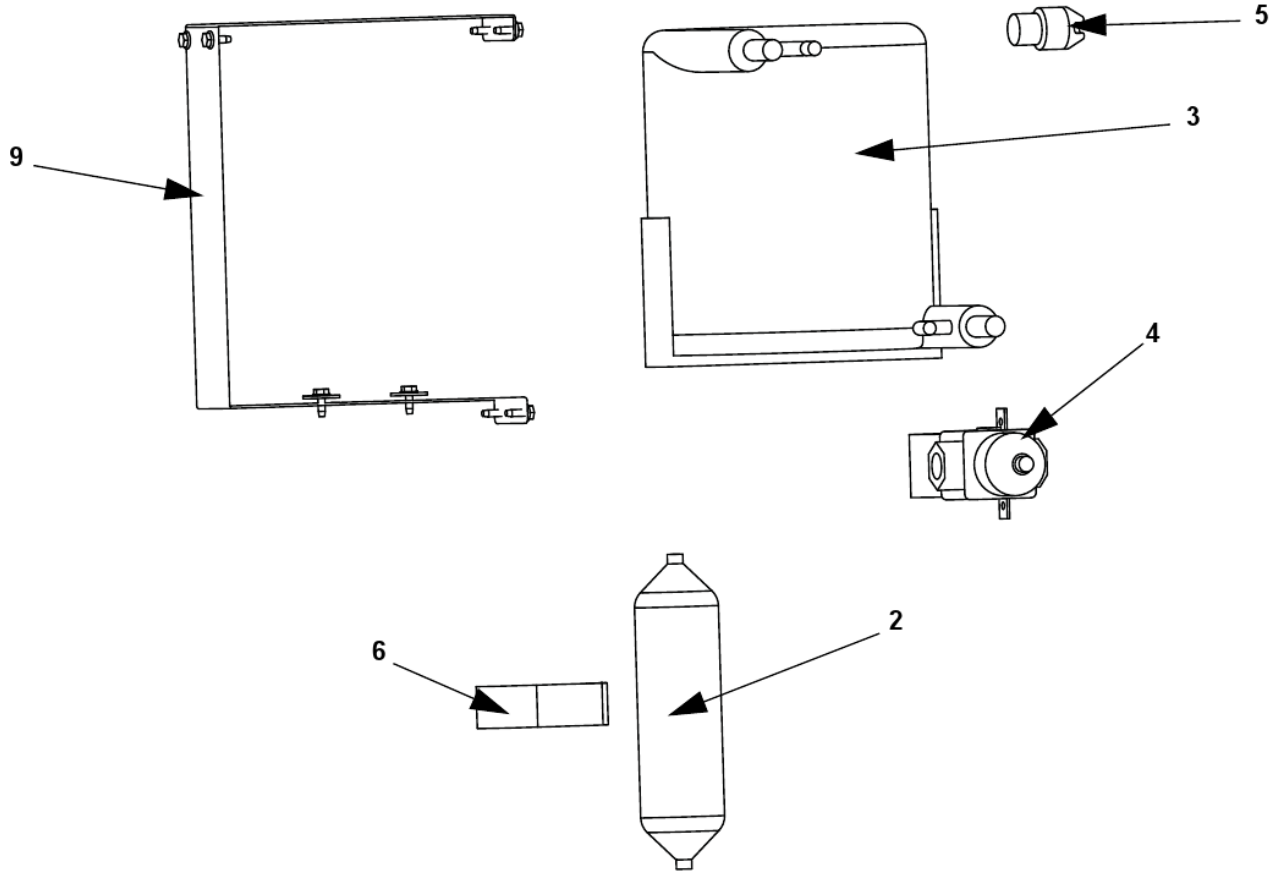
#	PART #	DESCRIPTION	QTY	Note
1		Compressor		[1]
2	8252843	Air Condenser		
3	2416223	Fan Blade		
4		Fan Motor		
4a	2000223	Fan Motor - 115V/60 Hz/1 Ph		
4b	2000219	Fan Motor - 208-230V/50-60 Hz		
5	4015323	Air Baffle		
6	4040103	Air Filter		
7	6073101	Fan Shroud		
8	5005513	Screw 0.7 x 8 mm		
9	5202069	Screw - #10-24 x 0.50" HEX		
10	000000287	Fan Motor Bracket		
11	5650699	Air Filter Clip		
12		Back Corner Channel		
12a	6072321	Back Corner Channel Right		
12b	6072311	Back Corner Channel Left		

### PART NOTES:

[1] - Refer to COMMON PARTS PAGE

# SF0400, SN0450

## SF0400/SN0450 REFRIGERATION COMPARTMENT - WATER-COOLED



# SF0400, SN0450

## SF0400/SN0450 REFRIGERATION COMPARTMENT - WATER-COOLED

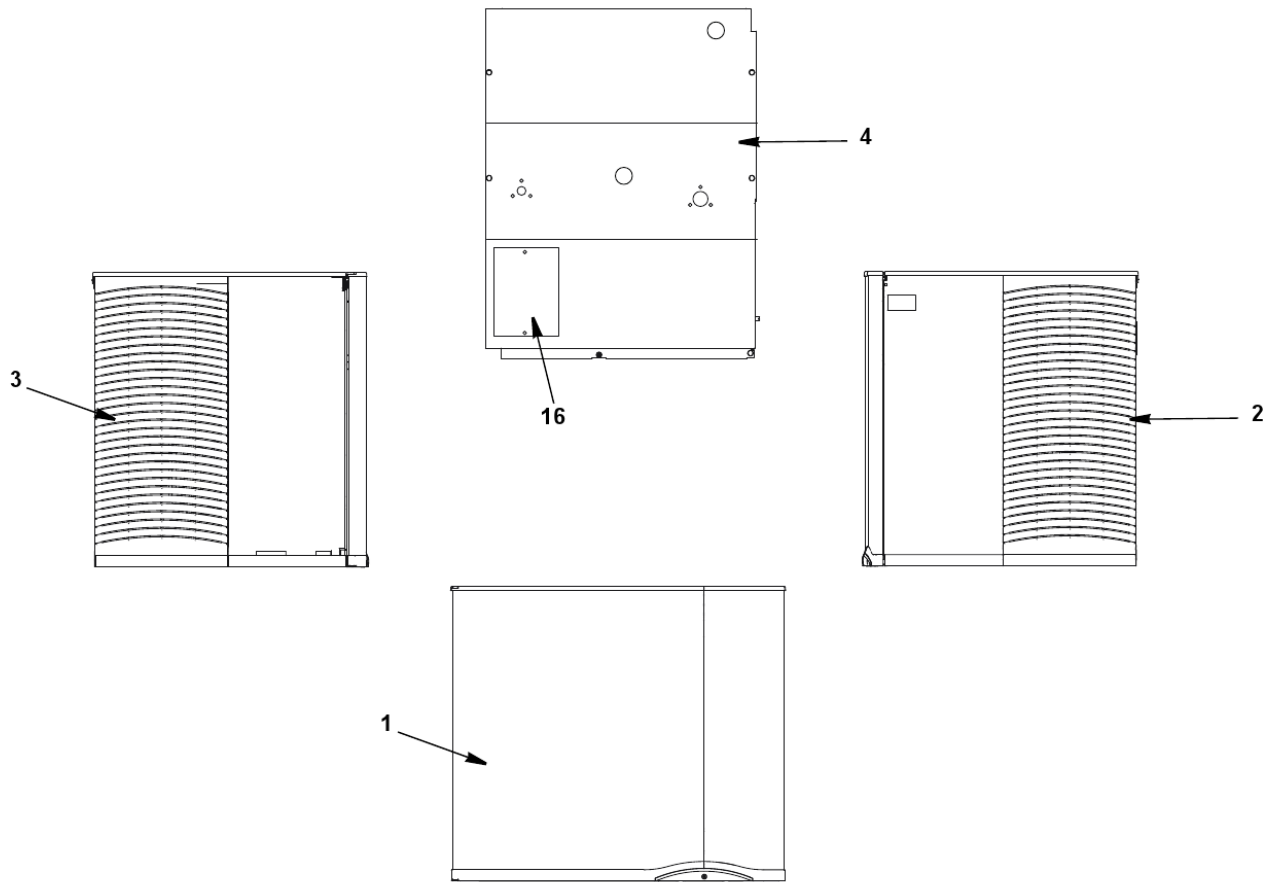
#	PART #	DESCRIPTION	QTY	Note
1		Compressor		[1]
2	000008892	Receiver		
3	8865323	Water-Cooled Condenser		
4	8372069	Water Regulating Valve		
5	8706103	Female Wing Adapter - 0.50"		
6	6000541	Receiver Strap		
7	5202069	Screw - #10-24 x 0.50" HEX		
8	5573419	Washer		
9	000000125	Water Condenser Bracket		
10		Back Corner Channel		
10a	6072361	Back Corner Channel Right		
10b	6072311	Back Corner Channel Left		

### PART NOTES:

[1] - Refer to COMMON PARTS Page

# SF0400, SN0450

## SF0400/SN0450 PANELS



# SF0400, SN0450

## SF0400/SN0450 PANELS

#	PART #	DESCRIPTION	QTY	Note
1	6072601	Front Panel		
2	6060541	Right Side Panel		
3	6060551	Left Side Panel		
4	6072571	Back Panel, Water		
5	4012029	Top Cover		
6	4015323	Air Baffle		
7	4040103	Air Filter		
8	00000260	Front Panel - Shoulder Bolt		
8a	00000305	Front Panel - Nut		
9	5650699	Air Filter Clip		
10	00000263	Top Cover Bracket		
11	00000010	Top Front Bracket		
12	6072561	Top Support Brace		
13	000002867	Front Corner Channel		
13a	5012319	Screw - #12-16 x 0.75"		
14	6072371	Top Channel		
14a	5202069	Screw - #10-24 x 0.50" HEX		
15		Back Panel		
15a	5012319	Screw - #12-16 x 0.75"		
15b	5202099	Screw - #10-24 x 0.50" PHIL		
16	6067299	Rear Connection Box Cover		
17	6067289	Rear Connection Box		
17a	2006143	Terminal Block - 50 Hz - 3 Pole		
17b	2008503	Ground Wire		
17c	5202169	Screw - #10-24 x 0.50" Ground		
18	7112389	Cartoning		