



**Ice Machine Parts List for
Series S 30” Dispensers Models**

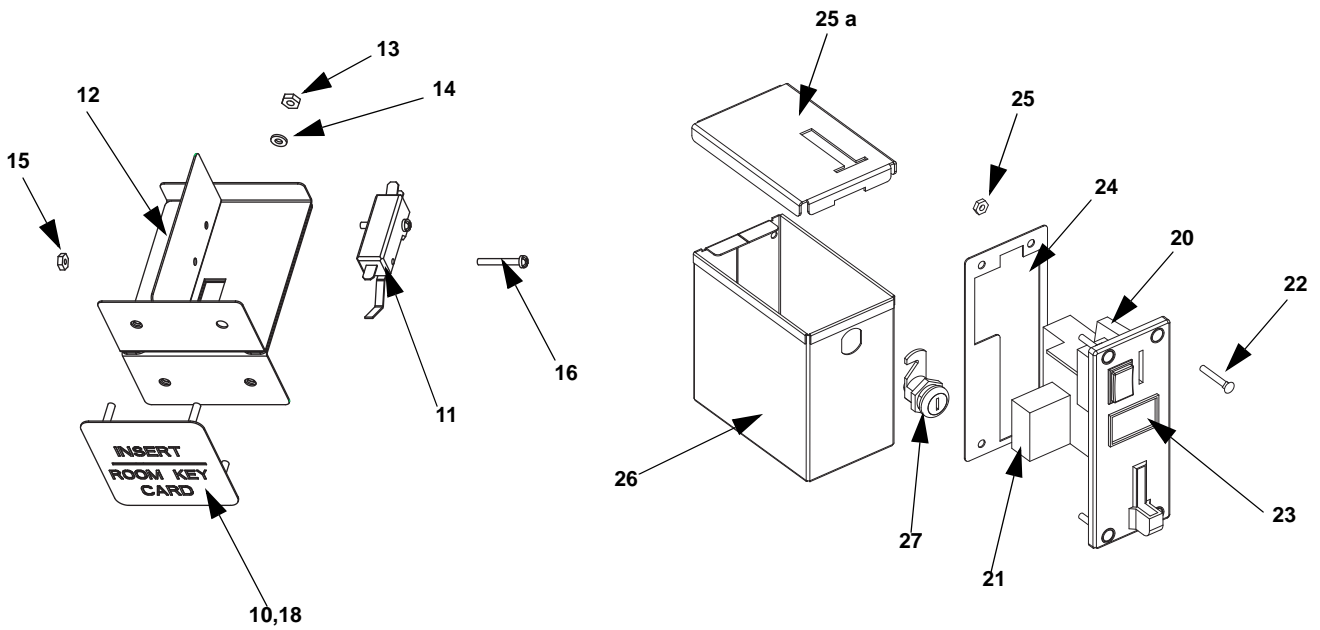
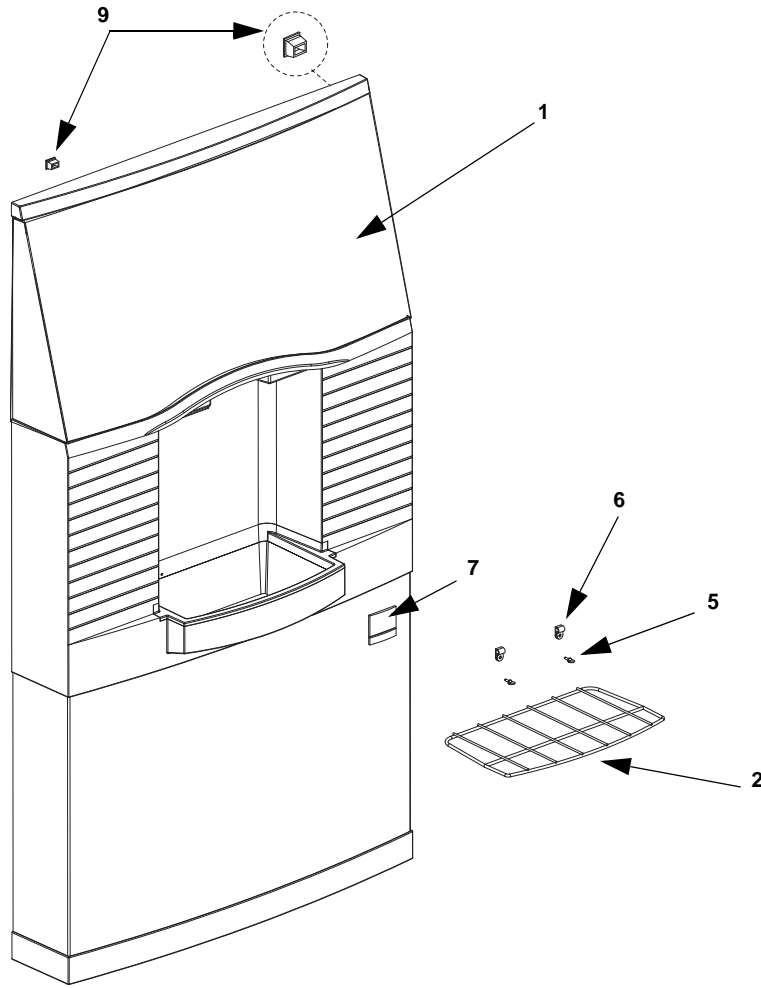
SFA-291

SRA-340

SPA-310

SCA-330

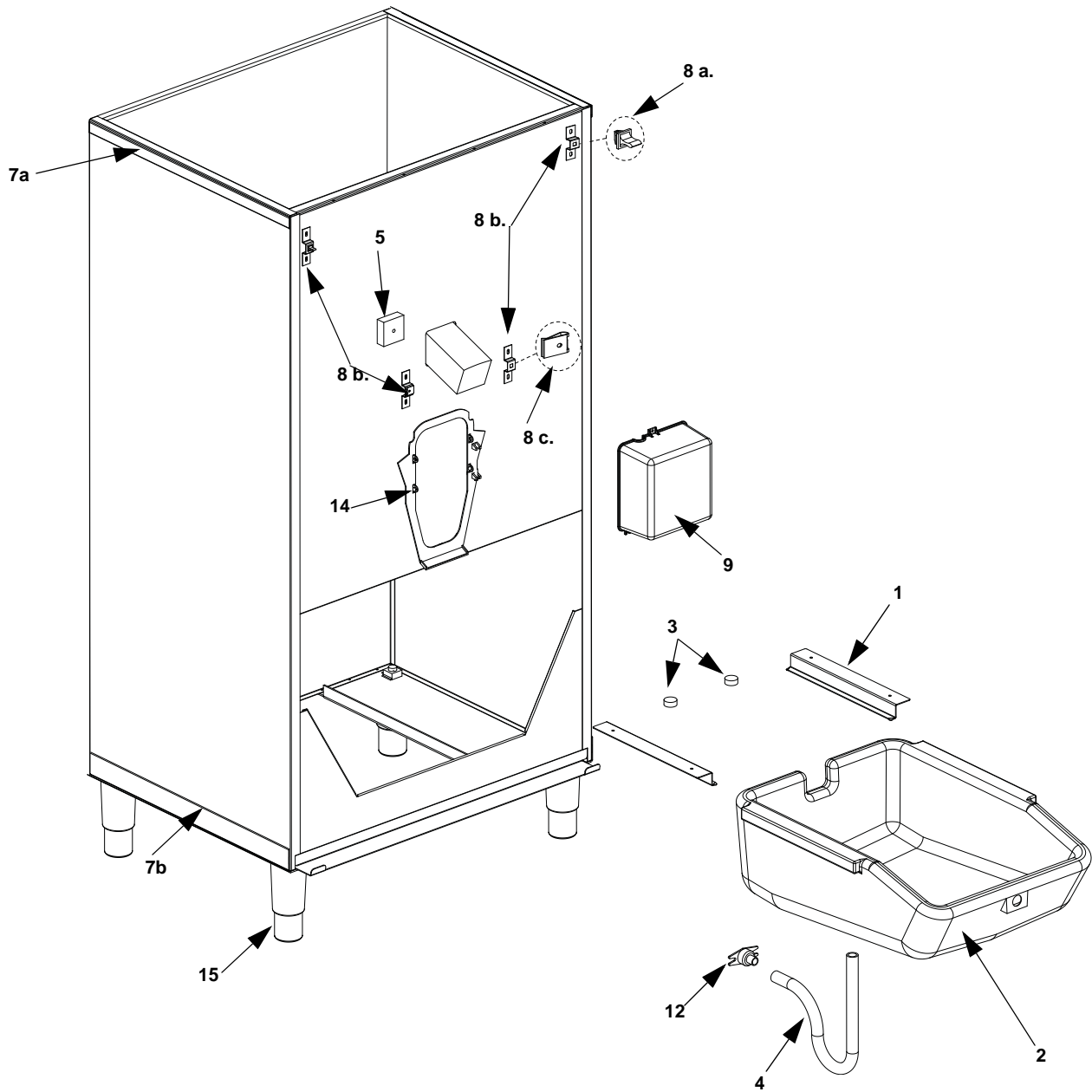
SPA-310, SRA-340, SFA-291, SCA-330 DOOR ASSEMBLY



SPA-310, SRA-340, SFA-291, SCA-330 DOOR ASSEMBLY, CONTINUED

DESCRIPTION	PART NO.	
	New Part	Old Part
1 Main Door Assembly		
a. SPA-310 Rocking Chute	5029751	000000198
b. SCA-330 Coin Chute	5030872	000000200
c. SRA-340 Room Card	5030873	000000201
d. SFA-291 Push Button Glass Fill	5030874	000000199
e. Upper Door Panel	5029542	000000218
f. Lower Door Panel	5029543	000000219
2 Wire Grill	5029519	000000208
3 Water Fill Valve (not shown).	202-FN-SLB-B	000000209
a. Bracket Water Fill Valve	5011281	000000210
b. Arm	51606	000000558
c. Lever Retainer Clip	51700	000001024
d. Water Inlet Fitting	1360961	
e. Water Inlet Wing Adapter	8706093	
f. Elbow w/Nut	1701150	
g. Nylon Washer (inside elbow)	1701113	
h. Hose (6 feet)	5008816	
4 Wiring Harness		
a. 115V	5029448	000000213
b. 220V	5029447	000000214
SPA-310, SRA-340, SFA-291, Miscellaneous – Brackets, Screws, etc.		
5 Thumbscrew 8 x 1/2" type A	5008075	9750083
6 Clamp 1/4" Grid Black	5007667	9750093
7 Label Manitowoc Logo	same	8130013
a. Snowflake Logo	same	8130003
8 Carton Assembly (without pallet)	5007538	9750633
a. Carton Pallet	5008373	
9 Door Attachment Fastener Latch	00217721	000000211
SRA-340		
10 Plate Front	5008271	9750803
11 Switch.	020003076	9750813
12 Bracket.	5008270	9750823
13 Nut 8-32 Hex SS	0902103	9750833
14 Washer Star #8 SS.	0901915	9750843
15 Nut 6-32 Kept HH SS.	88000087	9750853
16 Screw 6-32 x 1" SS PH RH MS	0900901	9750863
17 Wiring Harness (not shown).	5008594	000000212
18 Insert Card Label	5008455	9750883
19 Wiring Diagram Label (SRA-340) (not shown)		
a. 115V	5029412	000000228
b. 220/240V.	5029428	000000255
SCA-330		
20 Coin Mechanism with Microswitch	5008313	9750563
21 Timer, Coin Mechanism 115V	5008325	9750573
Timer, Coin Mechanism 230V	5009453	9750603
22 Bolt Carriage 8-32 x 1" Black.	5008370	9750783
23 Coin Mechanism Label.	5009899	9750763
24 Plate	5008379	9750773
25 Nut Kept 42	00201803	9750743
26 Coin Box.	5030562	000000215
a. Coin Box Cover.	5030561	000000216
27 Box Lock		9750733

SPA-310, SRA-340, SFA-291, SCA-330 CABINET ASSEMBLY

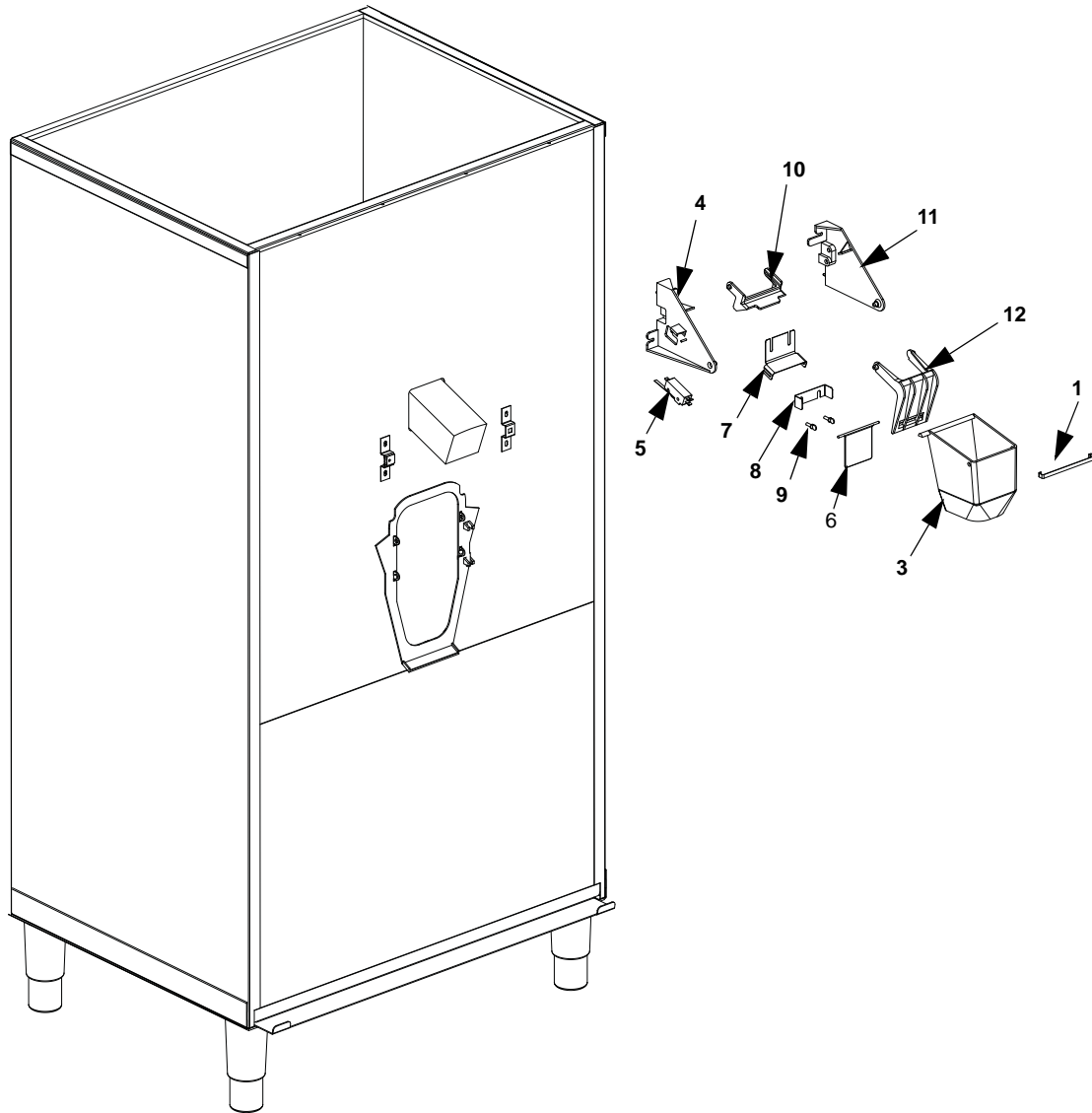


SPA-310, SRA-340, SFA-291, SCA-330 CABINET ASSEMBLY, CONTINUED

DESCRIPTION	PART NO.	
	New Part	Old Part
SPA-310, SRA-340, SFA-291, SCA-330 Drain Pan Assembly		
1 Bracket Drain Pan Support	5029691	000000223
2 Drain Pan Assembly.	5029307	000000225
3 Drain Pan Stops	5014120	NA
4 Tubing Drain w/Insulation.	5010341	000000226
a. Drain Strainer	5013878	NA
SPA-310, SRA-340, SFA-291, SCA-330 Electrical		
5 Timer Agitation	020000222	9750273
6 Label Wiring Diagram.	5029412	000000228
SPA-310, SRA-340, SFA-291, SCA-330 Miscellaneous – Brackets, Screws, etc.		
7 Trim Decorative		
a. Top	020004140	000000229
b. Bottom.	020004139	000000256
8 Front Door Attachment		
a. Fastener Strike	00217722	000000230
b. Bracket Strike	5029694	000000231
c. Clip	0900240	000000232
9 Electrical Box		
a. 60 Hz.	5028992	000000233
b. 50 Hz.	5008115	000000234
10 Electrical Box Cover.	5008116	000000235
11 Cord Electrical (not shown)	5008642	9750333
12 Fitting 1/2" Brass	same	8706083
13 Baffle (not shown)	same	K00346
14 Motor Pin Retaining Bracket	5010220	† 9750659
15 Legs	5030236	000000236

† Refer to Cross Reference Guide

**SPA-310, SRA-340, SFA-291, SCA-330 ROCKING CHUTE ASSEMBLY
BEFORE SERIAL NUMBER 610065954**



DESCRIPTION

PART NO.

New Part

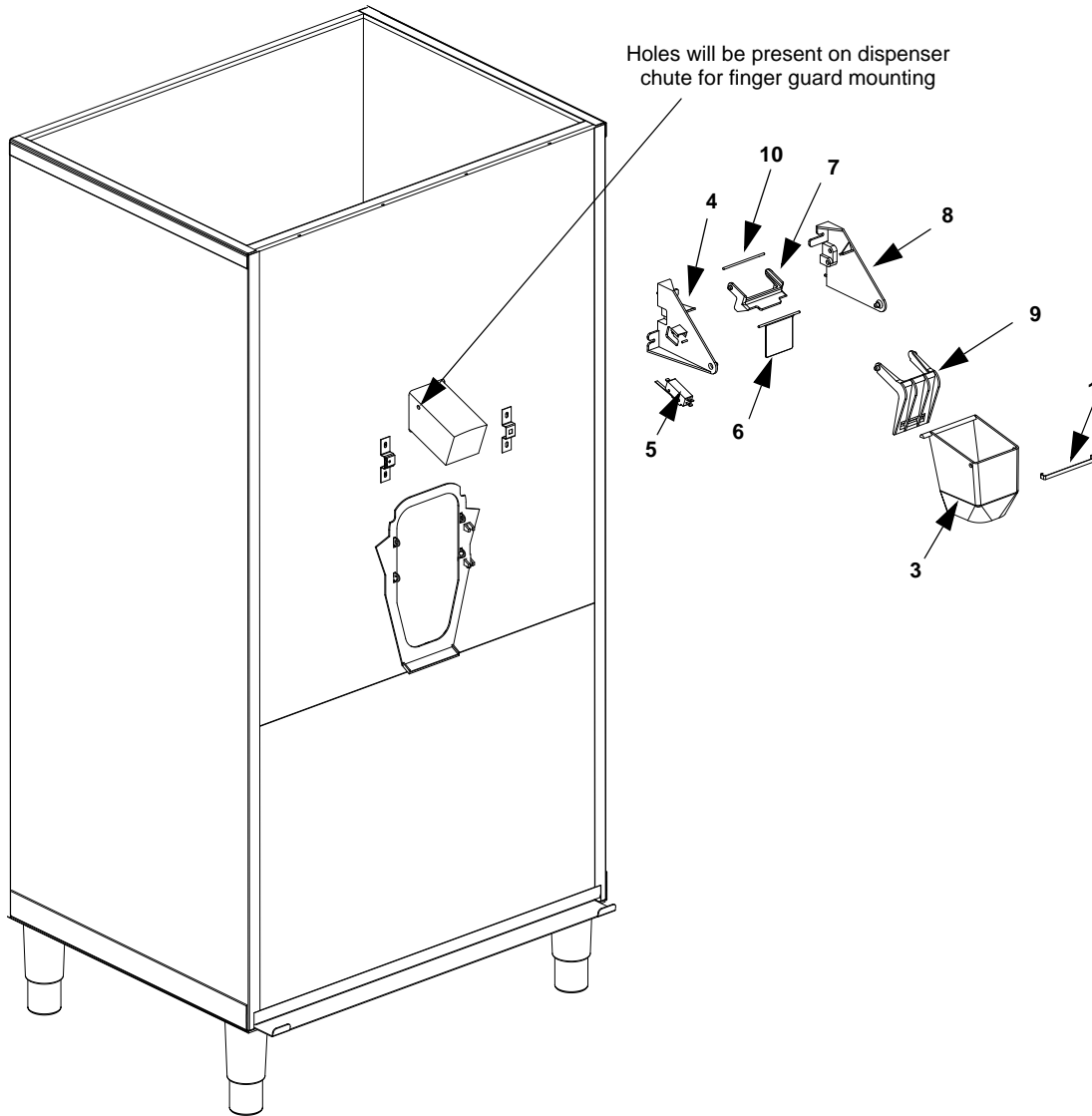
Old Part

ROCKING CHUTE ASSEMBLY

1	Bracket Rocking Chute Outer	5031384	9750113
2	Label "Push For Ice"	5008636	00000243
3	Rocking Chute	5007355	9750133
4	Bracket Rocking Chute Door Left Hand - Kit includes both sides	020002673	9750143
5	Microswitch	1000703	9750153
6	Door Finger Guard	5011788	00000220
7	Retainer Guard	5011956	00000221
8	Retainer Door	5008112	9750183
9	Screw #8-32 x 1/2" Knurl w/o Slot	5008402	00000222
10	Lock Rocking Chute Door	5002509	9750203
11	Bracket Rocking Chute Door Right Hand - Kit includes both sides	020002673	9750213
12	Door Rocking Chute	5002508	9750223

† Refer to Cross Reference Guide

**SPA-310, SRA-340, SFA-291, SCA-330 ROCKING CHUTE ASSEMBLY
AFTER SERIAL NUMBER 610065954**



DESCRIPTION

PART NO.

ROCKING CHUTE ASSEMBLY

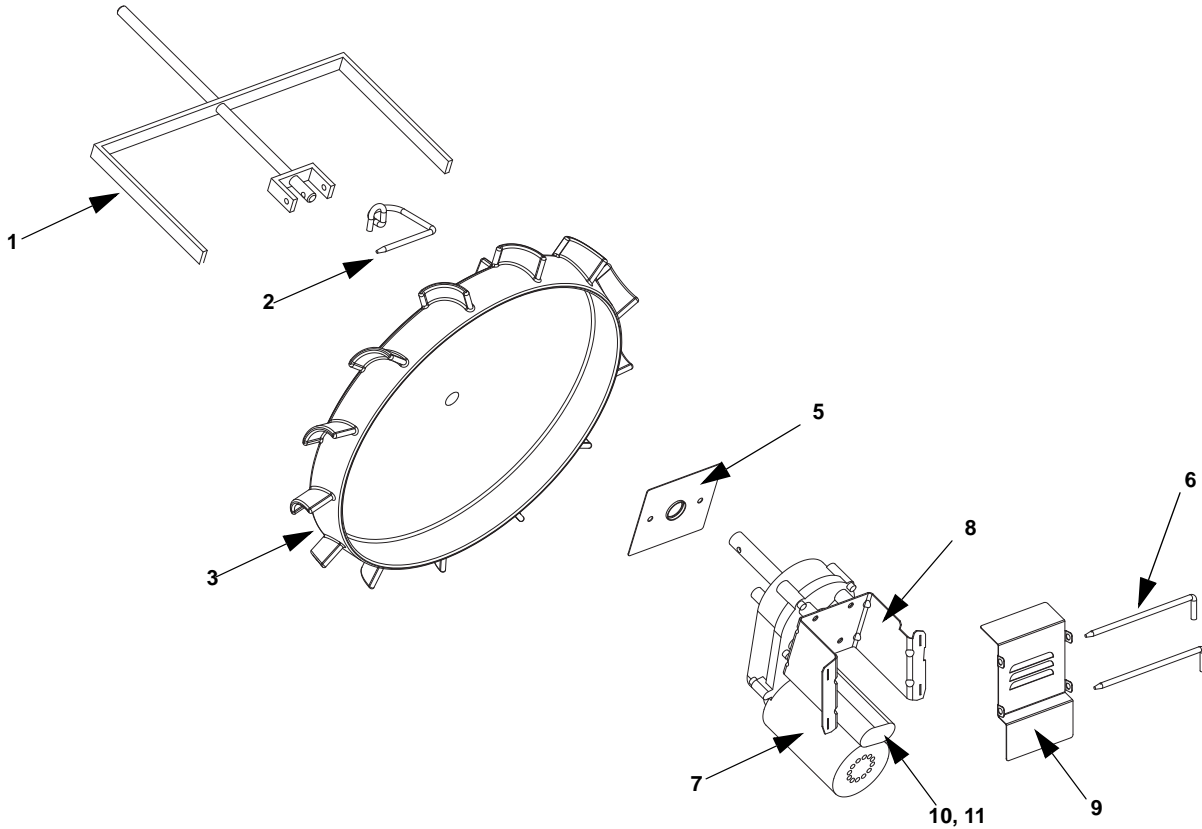
	New Part	Old Part
1 Bracket Rocking Chute Outer	5031384	9750113
2 Label "Push For Ice".	5008636	00000243
3 Rocking Chute	5007355	9750133
4 Bracket Rocking Chute Door Left Hand - Kit includes both sides	020002673	9750143
5 Microswitch	1000703	9750153
6 Door Finger Guard	020002334	NA
7 Lock Rocking Chute Door	5002509	9750203
8 Bracket Rocking Chute Door Right Hand - Kit includes both sides	020002673	9750213
9 Door Rocking Chute.	5002508	9750223
10 Door Rod	020002389	NA

Updated: 4/09

† Refer to Cross Reference Guide

SPA-310, SRA-340, SFA-291, SCA-330 PADDLE WHEEL ASSEMBLY

Before Serial Number 610050961



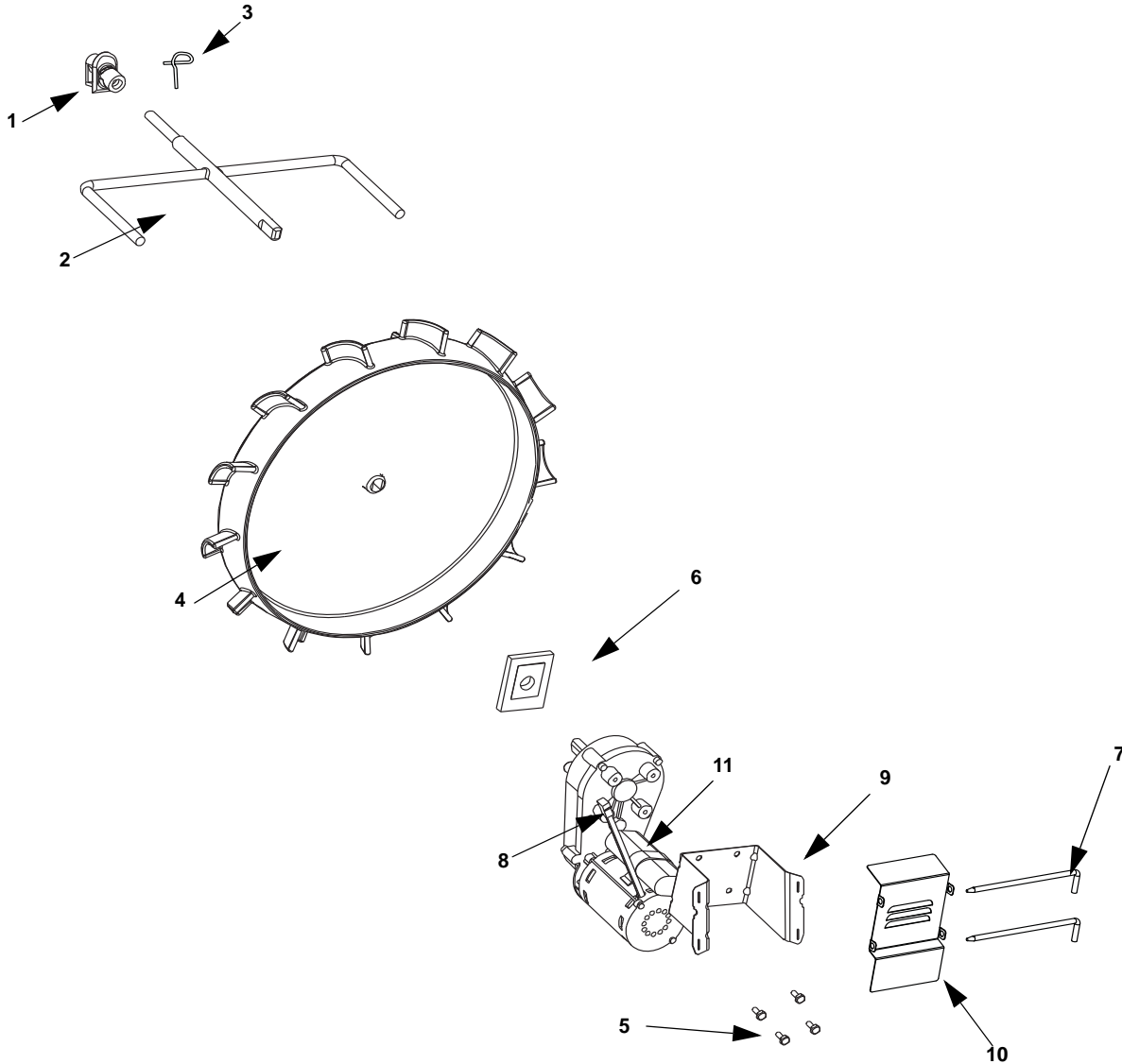
DESCRIPTION

PART NO.

	New Part	Old Part
1 Agitator	5009560	9750373
2 Pin 9.75 SS Agitator Removal	5010452	00000237
3 Paddle Wheel	2601415	00000238
4 Bolt 1/4 -20 x 5/8" SS HHCS	0900601	9750403
5 Motor Insulator	5030254	00000239
6 Pin Retaining	4140023	9750433
7 Motor/Reducer AO-62 (115V/60 Hz).	020003650	9750443
7a Motor/Reducer AO-62 (220/240V, 50-60 Hz)	5000869	9750553
8 Motor Mount	5001776	9750453
9 Gearbox Shield.	No Longer Available	
10 Capacitor - Von Weise Motor		
a. 115V/60Hz.	5008877	9750613
b. 220/240V 50-60Hz.	5008398	9750583
11 Capacitor - Bison Motor		
a. 115V/60Hz.	020002950	
b. 220/240V 50-60Hz.	020002951	
12 Mushroom Bushing (not shown).	0101702	9750363
13 Oil Seal Kit	020003438	

SPA-310, SRA-340, SFA-291, SCA-330 PADDLE WHEEL ASSEMBLY

After Serial Number 610050961



DESCRIPTION

PART NO.

1	Mushroom Bushing	020001418
2	Agitator.	020001419
3	Pin 9.75 SS Agitator Removal	020002668
4	Paddle Wheel.	020001423
5	Bolt 1/4 -20 x 5/8" SS HHCS	0900601
6	Motor Insulator	020001424
7	Pin Retaining	4140023
8	Motor/Reducer AO-62	
	a. 115V/60 Hz	020003596
	b. 220-240V/50-60 Hz.	020001517
9	Motor Mount.	5001776
10	Gearbox Shield	No Longer Available
11	Capacitor	
	a. 115v	020002950
	b. 230v	020002951
12	Oil Seal Kit	020003438