



Manitowoc
Foodservice
Parts Manual

For more Parts Information:

<https://manitowocfsg.sysonline.com/Default.aspx>

TABLE OF CONTENTS

Manitowoc Foodservice [Updated: Sep. 30, 2013]

Manitowoc - Ice & Related

Parts Catalog

Ice Machine

S Series

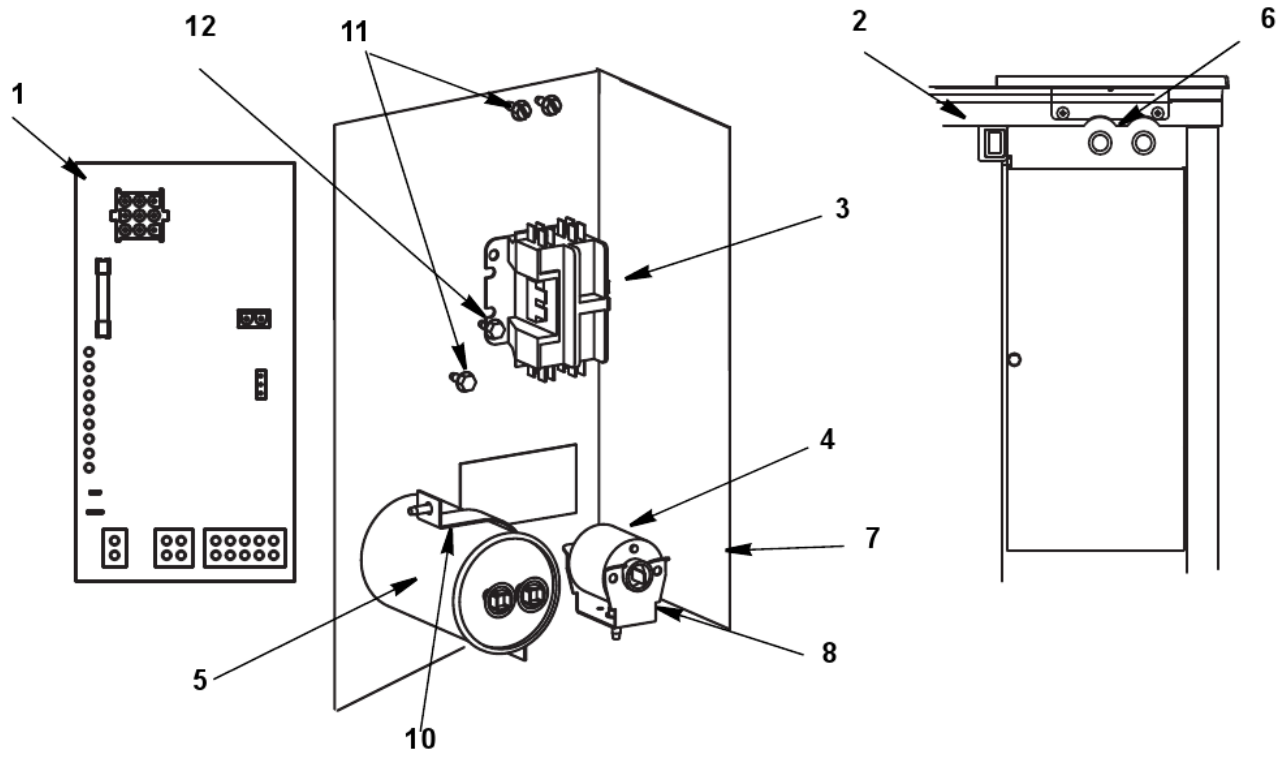
S Model - Air, Water & Remote

S1800, JC1395

S1800 Control Box Components	1
S1800 Evaporator Compartment - Common Components	3
S1800 Refrigeration Compartment - Common Components	5
S1800 Refrigeration Compartment - Air-cooled Components	8
S1800 Refrigeration Compartment - Water-cooled Components	10
S1800 Refrigeration Compartment - Remote Components	12
S1800 Panels	14
JC1395 Remote Condenser	16

S1800, JC1395

S1800 CONTROL BOX COMPONENTS



S1800, JC1395

S1800 CONTROL BOX COMPONENTS

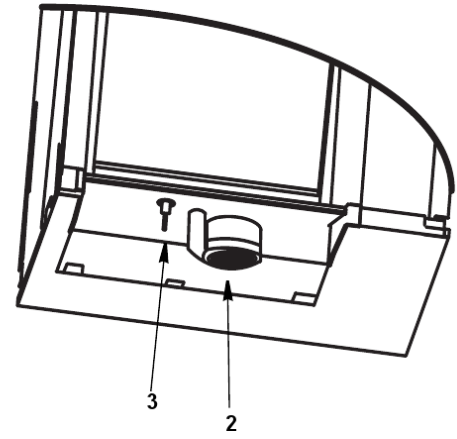
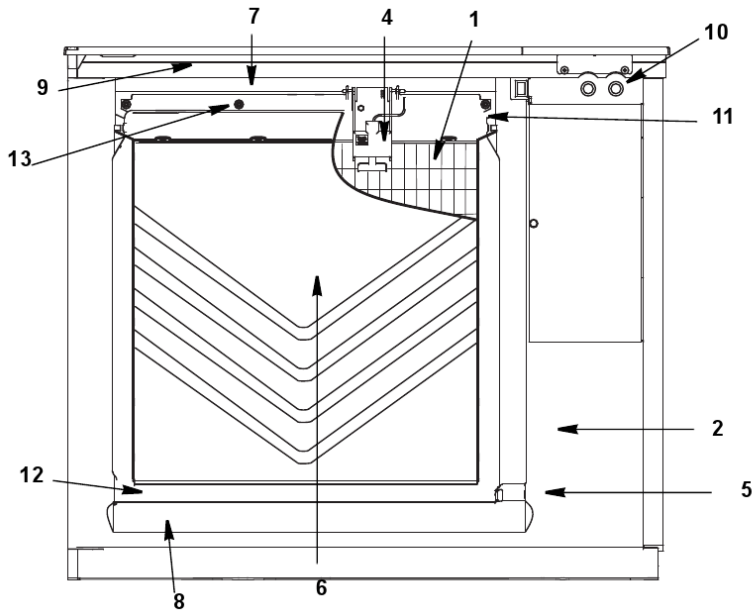
#	PART #	DESCRIPTION	QTY	Note
1	2006199	Control Board		
1a	000008240	7 Amp Fuse - Mounted on Control Board		
2	2007939	Toggle Switch		
2a	2009069	Toggle Switch Wiring Harness		
2b	4011639	Toggle Switch Box		
3		Contactor		
3a	2009089	Contactor - 208-230V/50-60 Hz/1 Ph		
3b	2006619	Contactor - 230V/60 Hz/3 Ph		
4	8504913	PTCR		
5		Run Capacitor- See Note for Usage		
5a	000000028	Run Capacitor - 208-230V/50-60 Hz/1 Ph		[1]
5b	000005488	Run Capacitor - 115-230V/50-60 Hz/1 Ph		[2]
6	8373263	Refrigeration Service Valve Assembly		
7	7602143	Control Box		
7a	7603153	Control Box Cover		
7b	6067249	Control Box Bracket		
8	8504953	PTCR Bracket		
9	4302253	Control Board Mounting Supports		
10	6024951	Capacitor Bracket		
11	5202169	Screw - #10-24 x 0.50" Ground		
11a	5573209	Star Washer		
12	5202069	Screw - #10-24 x 0.50" HEX		
13		Control Box Wiring Harness		
13a	2008999	Control Box Wiring Harness - 230V/60 Hz/1 Ph		
13b	2008979	Control Box Wiring Harness - 230V/60 Hz/3 Ph		
13c	2008989	Control Box Wiring Harness - 230V/50 Hz/1 Ph		
13d	2009009	Harvest Air Assist Pump Wiring Harness		

PART NOTES:

- [1] - Before Manufacture Date 10/09
- [2] - After Manufacture Date 10/09

S1800, JC1395

S1800 EVAPORATOR COMPARTMENT - COMMON COMPONENTS



S1800, JC1395

S1800 EVAPORATOR COMPARTMENT - COMMON COMPONENTS

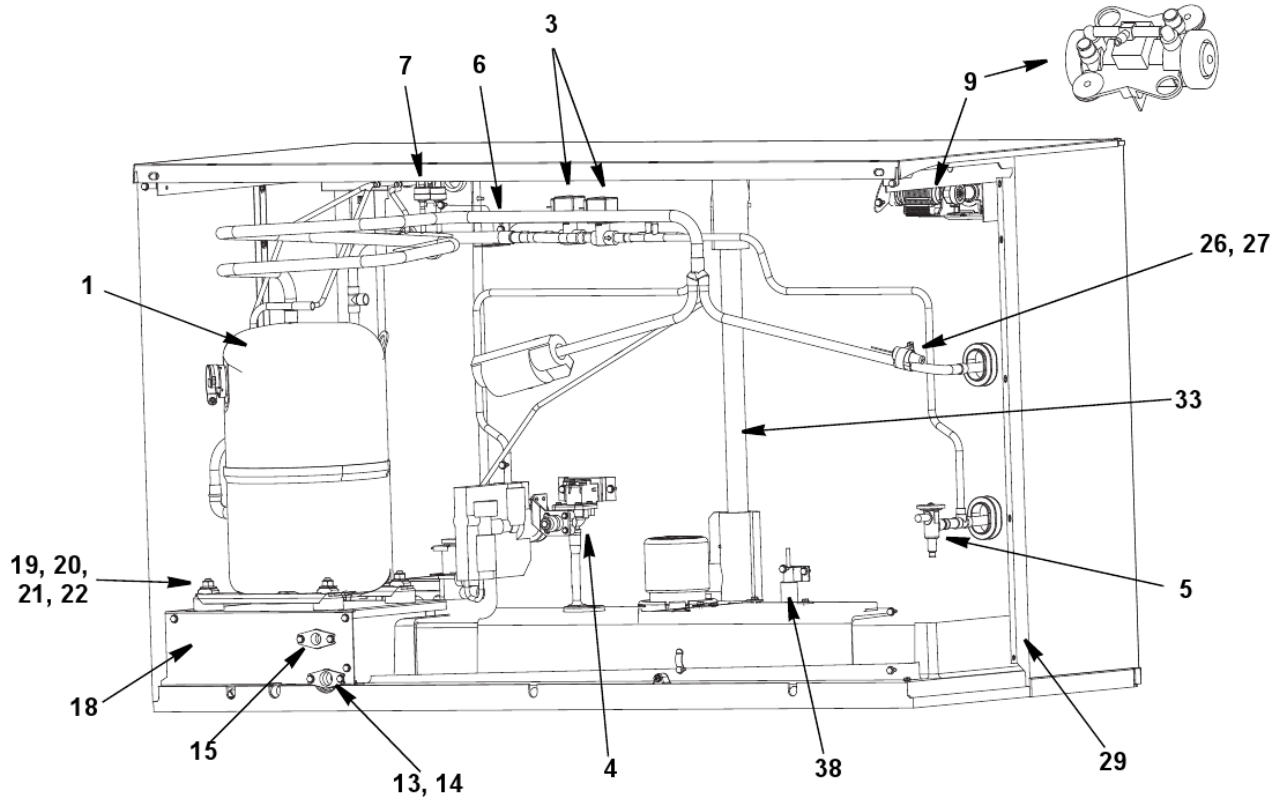
#	PART #	DESCRIPTION	QTY	Note
1		Evaporator Assembly		
1a	7603253	Evaporator Regular Cube		
1b	7603263	Evaporator Dice Cube		
1c	7603273	Evaporator - Half Dice Cube		
2		Water Pump - See Note for Usage		
2a	8252709	Water Pump - 230V/50-60 Hz		[1]
2b	000000259	Water Pump - 230V/50 Hz		[2]
3	2006549	Water Level Probe		
3a	2009169	Wire - Control Box to Probe		
4	2008029	Ice Thickness Control Probe		
5	000007888	Magnetic Bin Switch		
6	4012729	Water Curtain		
7	7603193	Water Distribution Tube - 48" Models		
7a	5004649	O-Rings		[3]
8	4009159	Water Trough		
9	000000292	Evaporator Top Filler Panel		
9a	6063339	Bracket - Top Filler Panel		
9b	5202099	Screw - #10-24 x 0.50" PHIL		
10	8373263	Refrigeration Service Valve Assembly		
11	7603203	Evaporator Top Frame Assembly		
12	7603183	Water Diverter - 48" Models		
12a	5305123	Thumbscrew SS - #8-32 x 0.44"		
13	5004799	Thumbscrew SS - #8-32 x 0.375"		[4]
13a	5004629	O-Ring - 0.125" ID		
14	5004619	Screw - #12-16 x 0.687"		
15	5004659	Water Pump Base O-Ring - 4.00" ID		
16	5004679	Water Pump Outlet O-Ring - 0.875" ID		
17	000001382	Vinyl Tubing 0.625" ID		[5]
17a	6038831	Insulation 0.88 ID X 0.25W X 13.50L		

PART NOTES:

- [1] - 60 Hz
- [2] - 50 Hz
- [3] - Back of Distribution Assembly
- [4] - Water Distribution Tube Mounting Each
- [5] - dump valve to drain adapter

S1800, JC1395

S1800 REFRIGERATION COMPARTMENT - COMMON COMPONENTS



S1800, JC1395

S1800 REFRIGERATION COMPARTMENT - COMMON COMPONENTS

#	PART #	DESCRIPTION	QTY	Note
1		Compressor		
1a		Copeland Compressor		[1]
1b	7603283	Compressor - Copeland - 208-230V/60 Hz/1 Ph		[1]
1c	7603293	Compressor - Copeland - 208-230V/60 Hz/3 Ph		[1]
1d	7603303	Compressor - Copeland - 230V/50 Hz/1 Ph		[1]
1e		Bristol Compressor		[2]
1f	000005436	Compressor - Bristol - 208-230V/60 Hz/1 Ph		[2]
1g	000005437	Compressor - Bristol - 208-230V/60 Hz/3 Ph		[2]
1h	000005438	Compressor - Bristol - 230V/50 Hz/1 Ph		[2]
2		Water Dump Valve		
2a	000001768	Water Dump Valve - 208-230V/50-60 Hz		
3		Harvest Valve		
3a	7630101	Solenoid Valve with Coil - 230V/50-60 Hz		
3b	000005157	Danfoss Solenoid Valve Coil Only - 230V/50-60 Hz		[3]
4		Water Inlet Valve		
4a	000007966	Water Inlet Valve - 208-230V/50-60 Hz		
5	7602253	Expansion Valve		
5a	4013299	Valve Insulation Boot - Body		
5b	4007203	Valve Insulation Boot - Bulb		[4]
6	8253579	Manifold Strainer		
7	2001243	High Pressure Cut-out Control		
8		Electrical Box on Rear of Ice Machine		
8a	6067289	Rear Connection Box		
8b	2006143	Terminal Block - 50 Hz - 3 Pole		
8c	5202169	Screw - #10-24 x 0.50" Ground		
9		Air Compressor		
9a	000000444	Air Compressor Pump 230V		
9b	4011739	Air Manifold		[5]
10		Compressor Compartment Wiring Harness - Before Manufacture Date 10/09		
10a	2009029	Wiring Harness - Air-cooled		[1]
10b	2009019	Wiring Harness - Water		[1]
10c	2009039	Wiring Harness - Remote		[1]
		Compressor Compartment Wiring Harness - With/After Manufacture Date 10/09		
10d	000005520	Wiring Harness - Air-cooled		[2]
10e	000005522	Wiring Harness - Water-cooled		[2]
10f	000005524	Wiring Harness - Remote		[2]
11	000005177	Discharge Muffler		[2]
12	6058459	Water Dump Valve Mounting Bracket		
13	8706093	Female Wing Adapter - 0.375"		
14	1360961	Male Connector		
15	8706083	Female Wing Adapter - 0.50"		
16	4420383	Clear Tubing - 0.625" ID		

S1800, JC1395

S1800 REFRIGERATION COMPARTMENT - COMMON COMPONENTS

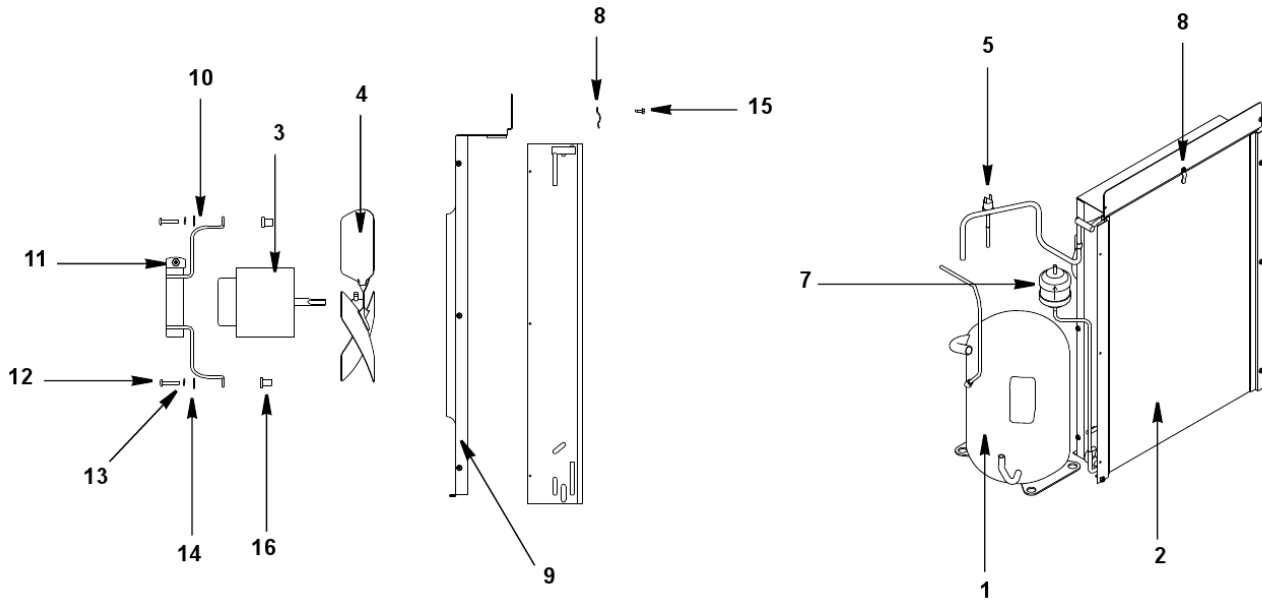
#	PART #	DESCRIPTION	QTY	Note
17	4420383	Clear Tubing - 0.625" ID		
18	6065909	Compressor Mounting Base		
19	8504859	Rubber Grommet		
20	8503949	Mounting - Sleeve		
21	5004819	Compressor Mounting - Bolt		
22	5004829	Compressor Mounting - Nut		
23	2006239	Compressor Wiring Harness		
24	000005176	Compressor Molded Plug Wiring Harness		
25	5650709	Snap Clamp - 0.799"/0.899" ID		
26	5650529	Clamp - Expansion Valve Bulb		
27	3000503	Strap - Expansion Valve Bulb - 0.5"		
28	5202069	Screw - #10-24 x 0.50" HEX		
29	6065999	Left Corner Post		
30	6068649	Left Top Channel		
31	6067139	Right Corner Post		
32	6062579	Right Top Channel		
33	000003409	Insulated Tube		[6]
a.	5650603	Snap Clamp - 1.0" ID		
b.	5650703	Snap Clamp - 0.799"/0.899" ID		
34	4010439	Tubing - Water Inlet Valve		[7]
35	1360989	Connector - Water Inlet Valve		
36	6066449	Water Inlet Valve Bracket		
37	000002474	Check Valve Replacement		[8]
38	2006559	Water Level Probe Holder		
a.	5202069	Screw - #10-24 x 0.50" HEX		

PART NOTES:

- [1] - Before Manufacture Date 10/09
- [2] - With/After Manufacture Date 10/09
- [3] - \pages from 000005156_02.jpg" width=266 height=183>
- [4] - \pages from 400720_08.jpg" width=923 height=583>
- [5] - Air Pump Tubing Outlet
- [6] - vinyl tubing from distribution tube to water pump & dump valve
- [7] - \pages from 401043_05.jpg" width=1797 height=2238>
- [8] - includes water diverter, vinyl tubing & insulation

S1800, JC1395

S1800 REFRIGERATION COMPARTMENT - AIR-COOLED COMPONENTS



S1800, JC1395

S1800 REFRIGERATION COMPARTMENT - AIR-COOLED COMPONENTS

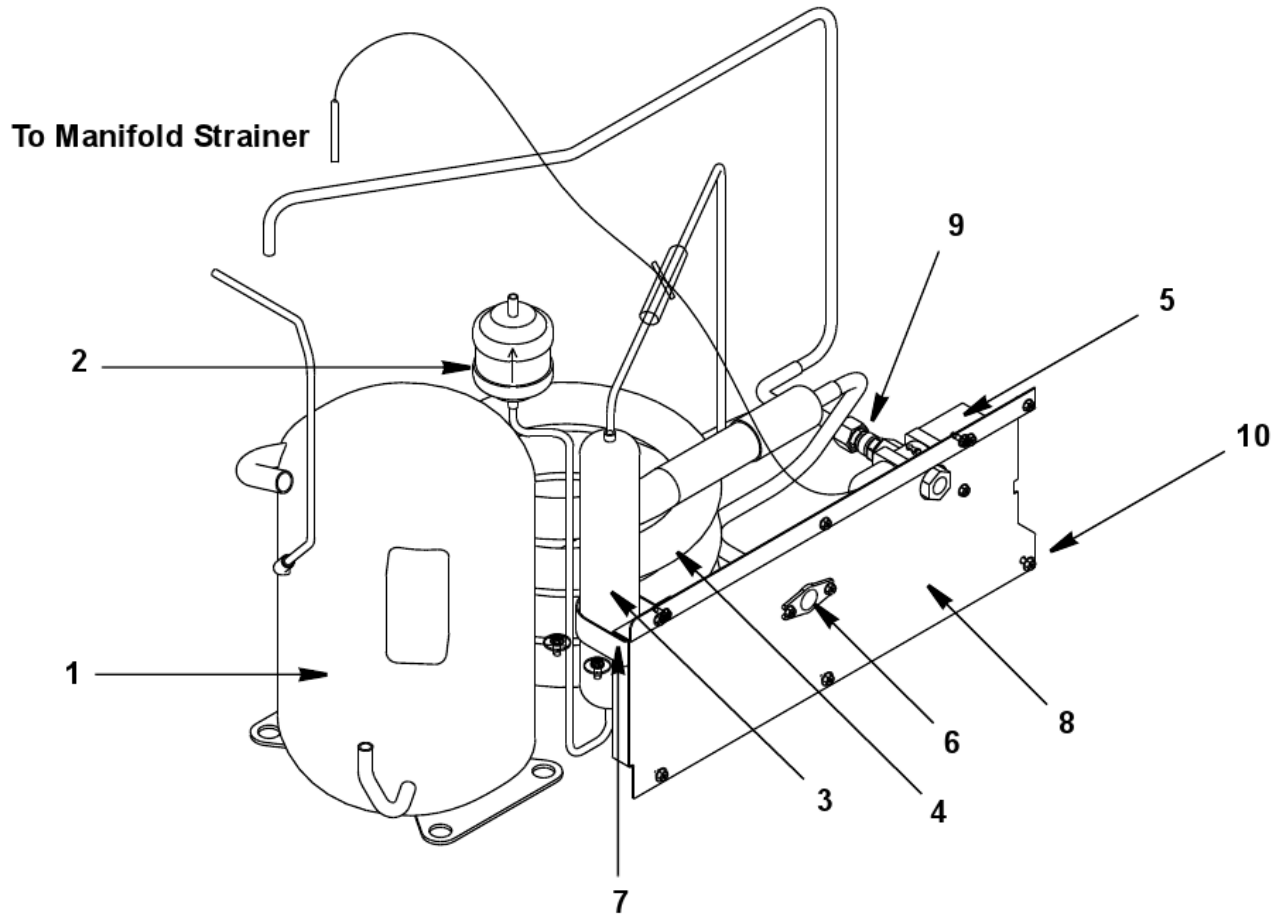
#	PART #	DESCRIPTION	QTY	Note
1		Compressor		[1]
2	8851293	Air Condenser		
3		Fan Motor - See Note for Usage		
3a	7626733	Fan Motor - 208-230V/50-60 Hz		[2]
3b	000006007	Fan Motor - 230V/50 Hz		[3]
4	2416113	Fan Blade		
5	2001273	Fan Cycling Control - 225-275 psig		[4]
6	4040253	Air Filter		
7	8930279	Drier		
8	5650699	Air Filter Clip		
9	6065979	Fan Shroud		
10	3006823	Fan Motor Mounting Bracket		
11	5033589	Mounting - Screw		
11a	5545109	Mounting - Lockwasher		
11b	5429529	Mounting - Hexnut		
12	5032389	Fan Bracket Mounting Screw		
13	5545109	Lockwasher		
14	5573059	Mounting - Flatwasher		
15	5202069	Screw - #10-24 x 0.50" HEX		
16	5429559	Mounting - Rubber Wellnut		

PART NOTES:

- [1] - Refer to COMMON PARTS Page
- [2] - 60 Hz
- [3] - 50 Hz
- [4] - \pages from 200126_09.jpg" width=170 height=228>

S1800, JC1395

S1800 REFRIGERATION COMPARTMENT - WATER-COOLED COMPONENTS



S1800, JC1395

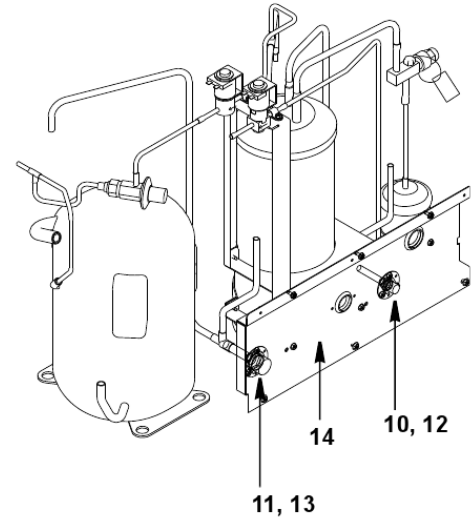
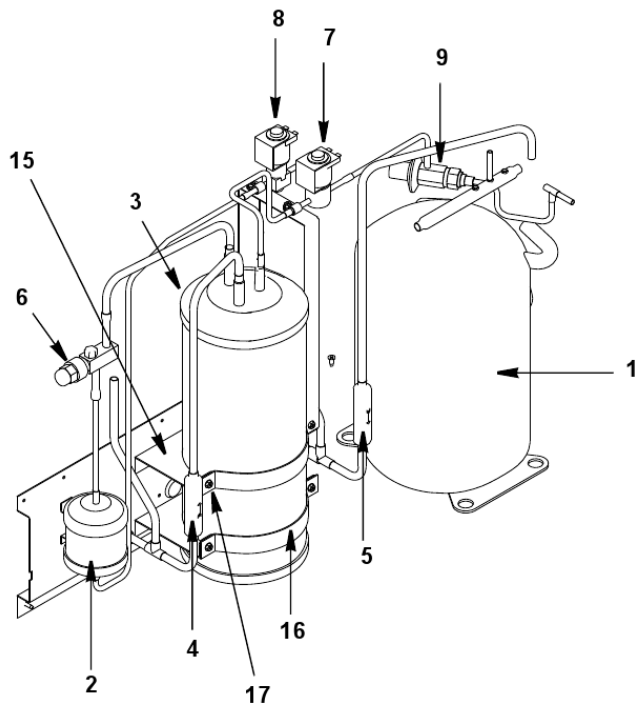
S1800 REFRIGERATION COMPARTMENT - WATER-COOLED COMPONENTS

#	PART #	DESCRIPTION	QTY	Note
1		Compressor		[1]
2	8930279	Drier		
3	000008894	Receiver		
4	000001508	Water-Cooled Condenser		
5	8372123	Water Regulating Valve		
6	8706083	Female Wing Adapter - 0.50"		
7	6000541	Receiver Strap		
8	6066829	Back Panel - Coupling Panel		
9	5005453	Elbow 0.50 MF x 0.50 NPT		
10	5202063	Screw - #10-24 x 0.50" HEX		
11	5573419	Washer		
12	6066841	Base, Water Condenser/Receiver		

PART NOTES:

[1] - Refer to COMMON PARTS Page

S1800 REFRIGERATION COMPARTMENT - REMOTE COMPONENTS



S1800, JC1395

S1800 REFRIGERATION COMPARTMENT - REMOTE COMPONENTS

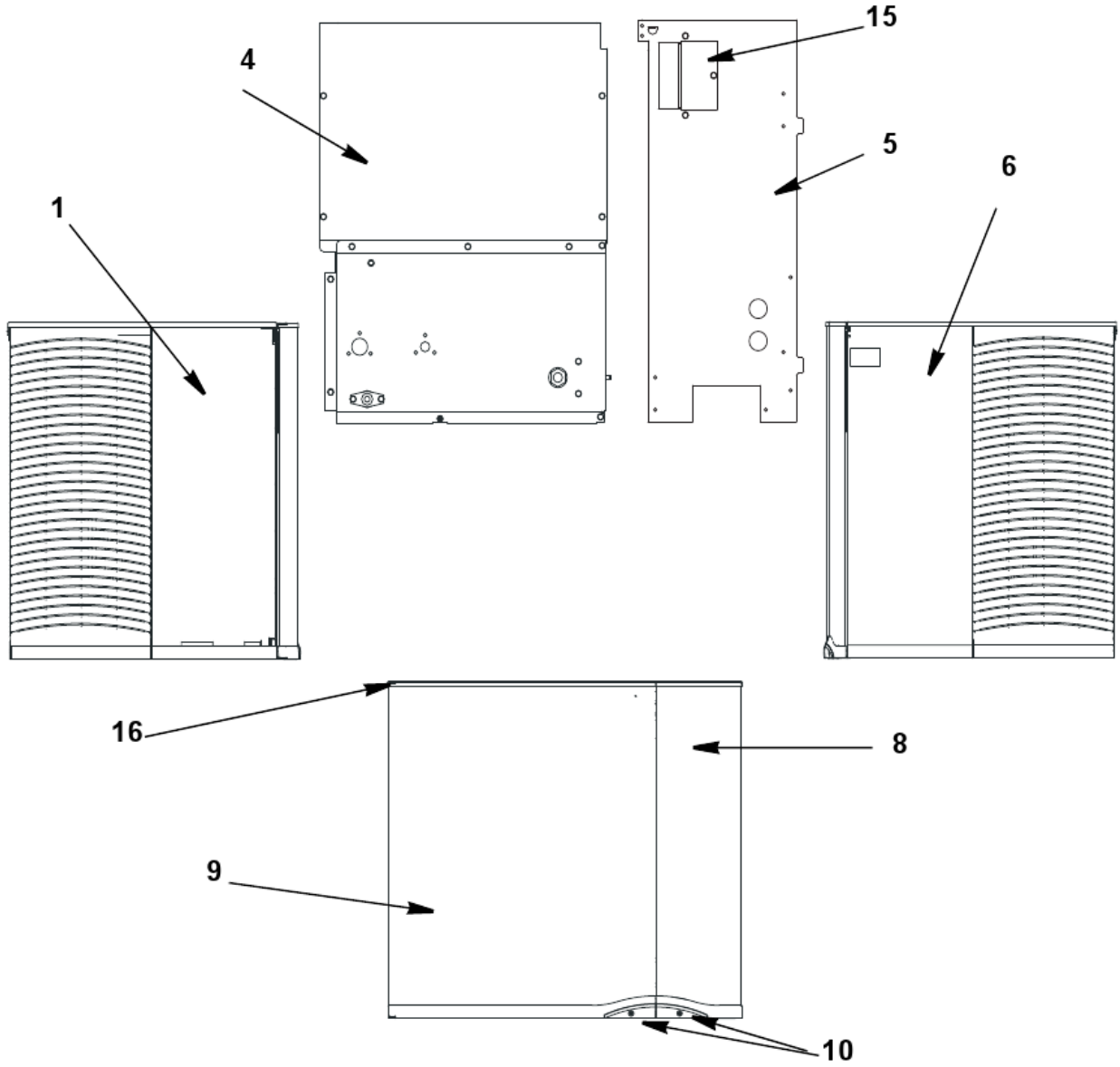
#	PART #	DESCRIPTION	QTY	Note
1		Compressor		[1]
2	8930279	Drier		
3	8900019	Receiver		
4	8373149	Magni-Check Valve - 0.375"		
5	8373153	Magni-Check Valve - 0.5"		
6	8373169	Receiver Service Valve		
6a	5650759	Cap for Refrigeration Service Valve		
7		Harvest Pressure Regulating Solenoid (HPR) Valve		
7a	7630061	Danfoss Solenoid Valve with Coil - 208-230V/50-60 Hz		
7b	000005157	Danfoss Solenoid Valve Coil Only - 230V/50-60 Hz		[2]
8		Liquid Line Solenoid (LLS) Valve		
8a	7630091	Danfoss Solenoid Valve Including 208-230V/50-60 Hz Electrical Coil		
8b	000005157	Danfoss Solenoid Valve Coil Only - 230V/50-60 Hz		[2]
9	8367793	Harvest Pressure Regulating Valve		
10	8360343	Coupling - Male - 5/8-18		
11	8360353	Coupling - Male - 1-1/6-12		
12	8360053	Coupling Mounting Flange for 5/8-18		
13	8360063	Coupling Mounting Flange for 1-1/16-12		
14	6066829	Back Panel - Coupling Panel		
15	6000561	Receiver Mounting Bracket		
16	6307214	Receiver Mounting Strap		
17	5202069	Screw - #10-24 x 0.50" HEX		

PART NOTES:

- [1] - Refer to COMMON PARTS
- [2] - \pages from 000005156_02.jpg" width=266 height=183>

S1800, JC1395

S1800 PANELS



S1800, JC1395

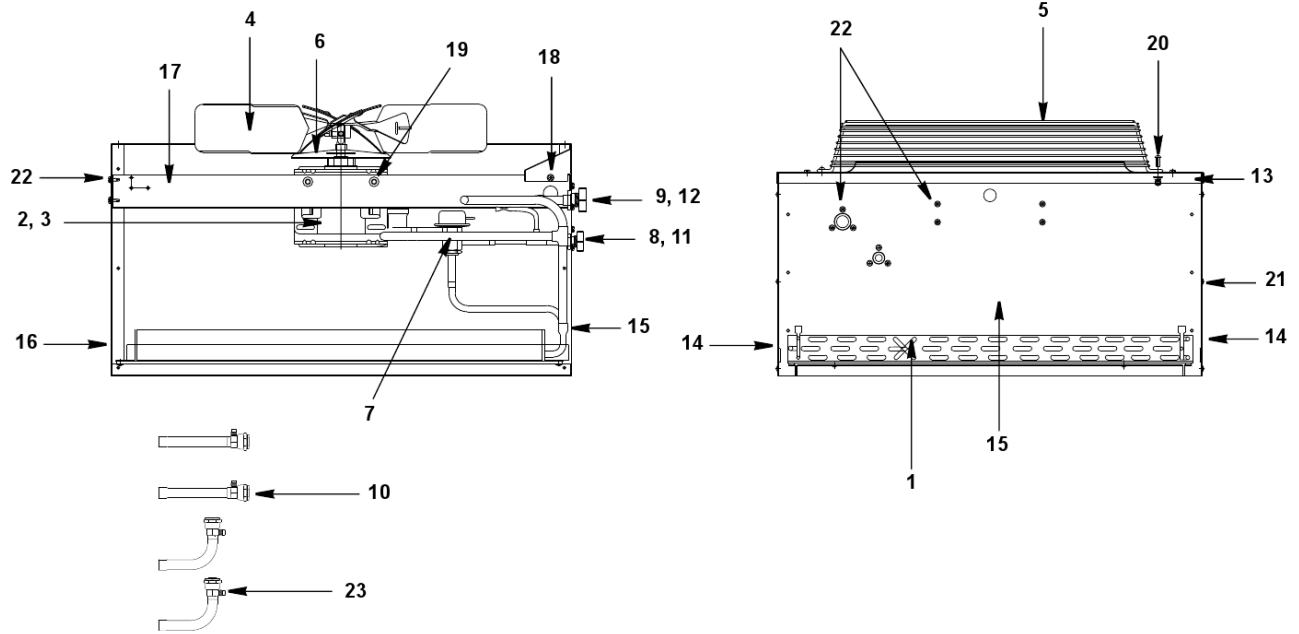
S1800 PANELS

#	PART #	DESCRIPTION	QTY	Note
1	6060579	Left Side Panel		
2	6071379	Air Baffle		
3	4040253	Air Filter		
4	6067149	Back Panel, Remote or Water		
5	6067159	Back Panel, Air, Water ot Remote		
6	6060569	Right Side Panel		
7	4012039	Top Cover		
8	6062839	Right Door		
9	6062829	Left Door		
10	5004899	Front Door Screw		
11		Left Door Endcaps		
11a	4011923	Left Door Endcap - Top		
11b	4011913	Left Door Endcap - Bottom		
12		Right Door Endcaps		
12a	4011943	Right Door Endcap - Top		
12b	4015153	Right Door Endcap - Bottom		
13	3005749	Front Top Support		
13a	5005379	Mounting Screw - #8-32 x 1" PHIL		
13b	5005099	Mounting Screw - #10-16 x 0.625" PHIL		
13c	3006029	Front Panel Strike		
14	4011889	Bottom Door Frame		
14a	5005379	Mounting Screw - #8-32 x 1" PHIL		
14b	5202099	Screw - #10-24 x 0.50" PHIL		
15	6062369	Door Catch Bracket		
15a	5026249	Mounting Screw - #8-32 x 0.50" PHIL		
16	3005579	Left Door Pivot Leaf Hinge		[1]
16a	5005379	Mounting Screw - #8-32 x 1" PHIL		
17	6067299	Rear Connection Box Cover		
18	6064049	Top Cover Bracket		
19	4004599	Sachet Holder		[2]
19a	5004799	Thumbscrew SS - #8-32 x 0.375"		
20	7112479	Cartoning		

PART NOTES:

- [1] - Top or Bottom
- [2] - inside left door

JC1395 REMOTE CONDENSER



S1800, JC1395

JC1395 REMOTE CONDENSER

#	PART #	DESCRIPTION	QTY	Note
1	8850903	Air Condenser		
2	7629413	Fan Motor - 208-230V/50-60 Hz/1 Ph		
3	8504583	Fan Motor Run Capacitor		[1]
4	2416113	Fan Blade		
5	3400643	Fan Guard		
6	2415053	Rain Slinger		
7	000004070	Head Pressure Control Valve		
8	8360343	Coupling - Male - 5/8-18		
9	8360353	Coupling - Male - 1-1/6-12		
10	Sales K0129	Female Line Set Coupling Kit		
11	8360053	Coupling Mounting Flange for 5/8-18		
12	8360063	Coupling Mounting Flange for 1-1/16-12		
13	6017891	Top Cover		
14		Panel - Side		
14a	6017901	Panel - Side Before Serial Number 110529484		
14b	000000613	Panel - Side After Serial Number 110529484		
15		Panel - Rear		
15a	6017911	Panel - Rear Before Serial Number 110529484		
15b	000000612	Panel - Rear After Serial Number 110529484		
16		Panel - Front		
16a	6017921	Panel - Front Before Serial Number 110529484		
16b	000000611	Panel - Front After Serial Number 110529484		
17	6017681	Fan Motor Mounting Bracket		
18	6017761	Electrical Box Cover		
19	5035659	Fan Motor Mounting Screw		
19a	5573099	Mounting - Flatwasher		
19b	5573139	Mounting - Lockwasher		
19c	5429759	Mounting - Hexnut		
20	5033459	Screw - 1/4-20 x 0.625"		
20a	5573049	Mounting - Flatwasher		
20b	5545119	Mounting - Lockwasher		
20c	5429529	Mounting - Hexnut		
21	5121539	Panel/Condenser Mounting Screw - #8 x 0.50"		
21a	5544599	Panel/Condenser Mounting Lockwasher		
22	5202059	Screw		
23	7626843	Valve Cores		
24		Legs - See Note for Serial Break		
24a	6017691	Legs		[2]
24b	000000718	Legs		[3]
25	000000546	Cartoning		

PART NOTES:

[1] - Emerson

S1800, JC1395

JC1395 REMOTE CONDENSER

#	PART #	DESCRIPTION	QTY	Note
---	--------	-------------	-----	------

PART NOTES:

- [2] - Before Serial Number 110529484
- [3] - After Serial Number 110529484