



Manitowoc
Foodservice
Parts Manual

For more Parts Information:

<https://manitowocfsg.sysonline.com/Default.aspx>

TABLE OF CONTENTS

Manitowoc Foodservice [Updated: Sep. 30, 2013]

Manitowoc - Ice & Related

Parts Catalog

Ice Machine

S Series

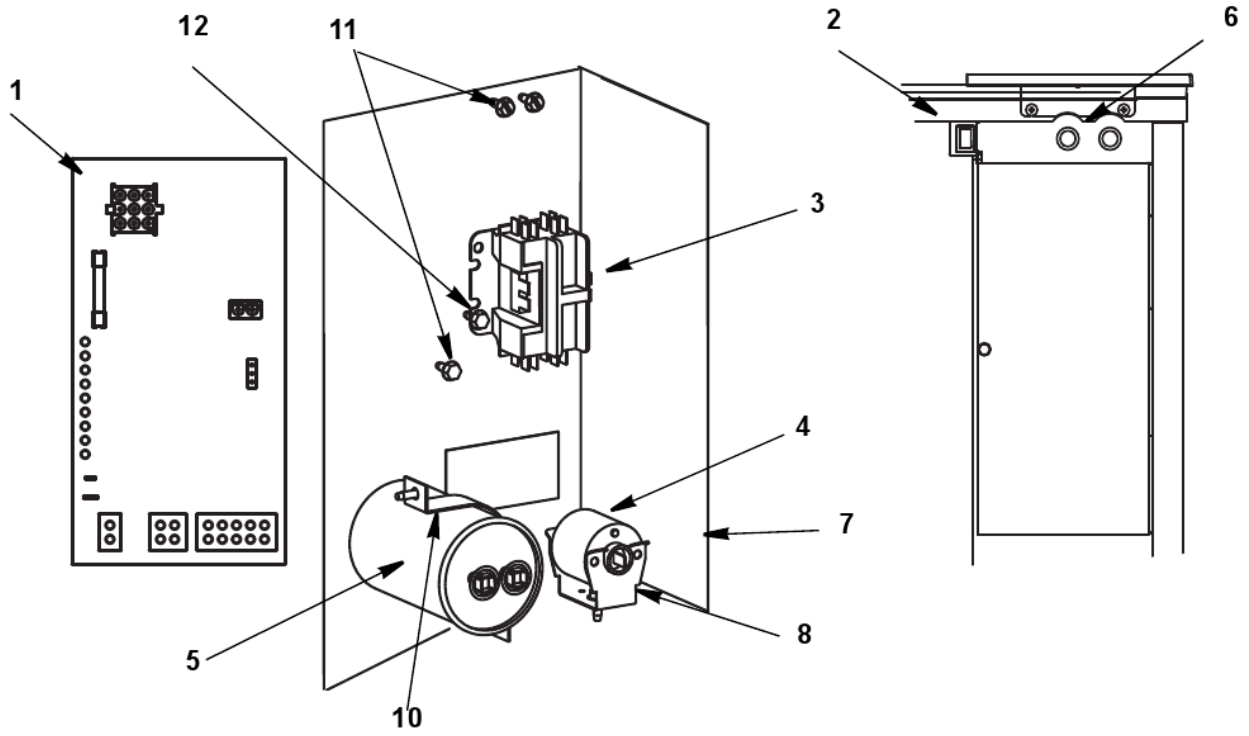
S Model - Air, Water & Remote

S1400, JC1395

S1400 Control Box Components	1
S1400 Evaporator Compartment - Common Components	3
S1400 Refrigeration Compartment - Common Components	5
S1400 Refrigeration Compartment - Air-cooled Components	8
S1400 Refrigeration Compartment - Water-cooled Components	10
S1400 Refrigeration Compartment - Remote Components	12
S1400 Panels	14
JC1395 Remote Condenser	16

S1400, JC1395

S1400 CONTROL BOX COMPONENTS



S1400, JC1395

S1400 CONTROL BOX COMPONENTS

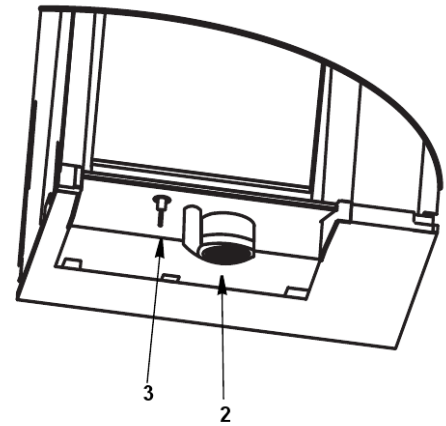
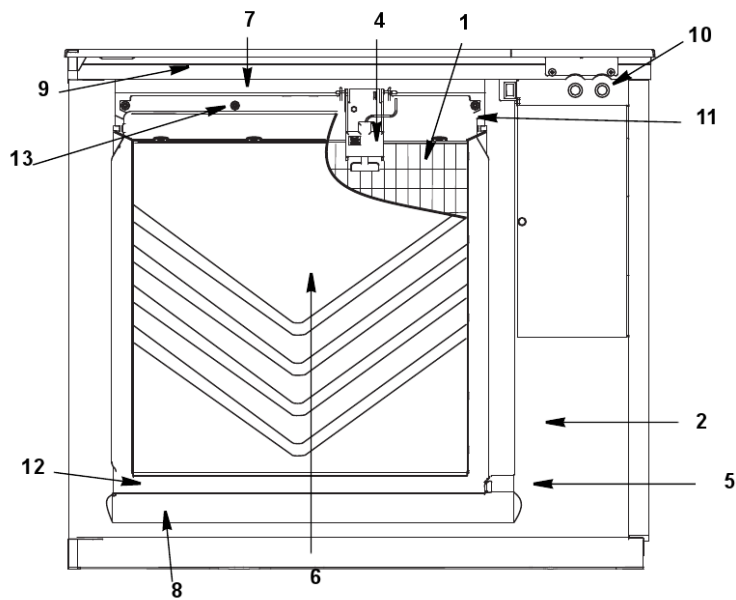
#	PART #	DESCRIPTION	QTY	Note
1	2006199	Control Board		
1a	000008240	7 Amp Fuse - Mounted on Control Board		
2	2007939	Toggle Switch		
2a	2009069	Toggle Switch Wiring Harness		
2b	4011639	Toggle Switch Box		
3		Contactator		
3a	2009089	Contactator - 208-230V/50-60 Hz/1 Ph		
3b	2006619	Contactator - 230V/60 Hz/3 Ph		
4	8504913	PTCR		
5		Run Capacitor - See Note for Usage		
5a	2010133	Run Capacitor - 115-230V/50-60 Hz/1 Ph		[1]
5b	000001395	Run Capacitor - 208-230V/50-60 Hz/1 Ph		[2]
5c	000000028	Run Capacitor - 208-230V/50-60 Hz/1 Ph		[3]
5d	000005488	Run Capacitor - 115-230V/50-60 Hz/1 Ph		[4]
6	8373263	Refrigeration Service Valve Assembly		
7	7602143	Control Box		
7a	7603153	Control Box Cover		
7b	6067249	Control Box Bracket		
8	8504953	PTCR Bracket		
9	4302253	Control Board Mounting Supports		
10	6024951	Capacitor Bracket		
11	5202169	Screw - #10-24 x 0.50" Ground		
11a	5573209	Star Washer		
12	5202069	Screw - #10-24 x 0.50" HEX		
13		Control Box Wiring Harness		
13a	2008999	Control Box Wiring Harness - 230V/60 Hz/1 Ph		
13b	2008979	Control Box Wiring Harness - 230V/60 Hz/3 Ph		
13c	2008989	Control Box Wiring Harness - 230V/50 Hz/1 Ph		
13d	2009009	Harvest Air Assist Pump Wiring Harness		

PART NOTES:

- [1] - For Copeland Compressor 208-230V/60 Hz/1 Ph
- [2] - For Copeland Compressor 208-230V/50 Hz/1 Ph
- [3] - For Bristol Compressor 208-230V/60 Hz/1 Ph
- [4] - For Bristol Compressor 208-230V/50 Hz/1 Ph

S1400, JC1395

S1400 EVAPORATOR COMPARTMENT - COMMON COMPONENTS



S1400, JC1395

S1400 EVAPORATOR COMPARTMENT - COMMON COMPONENTS

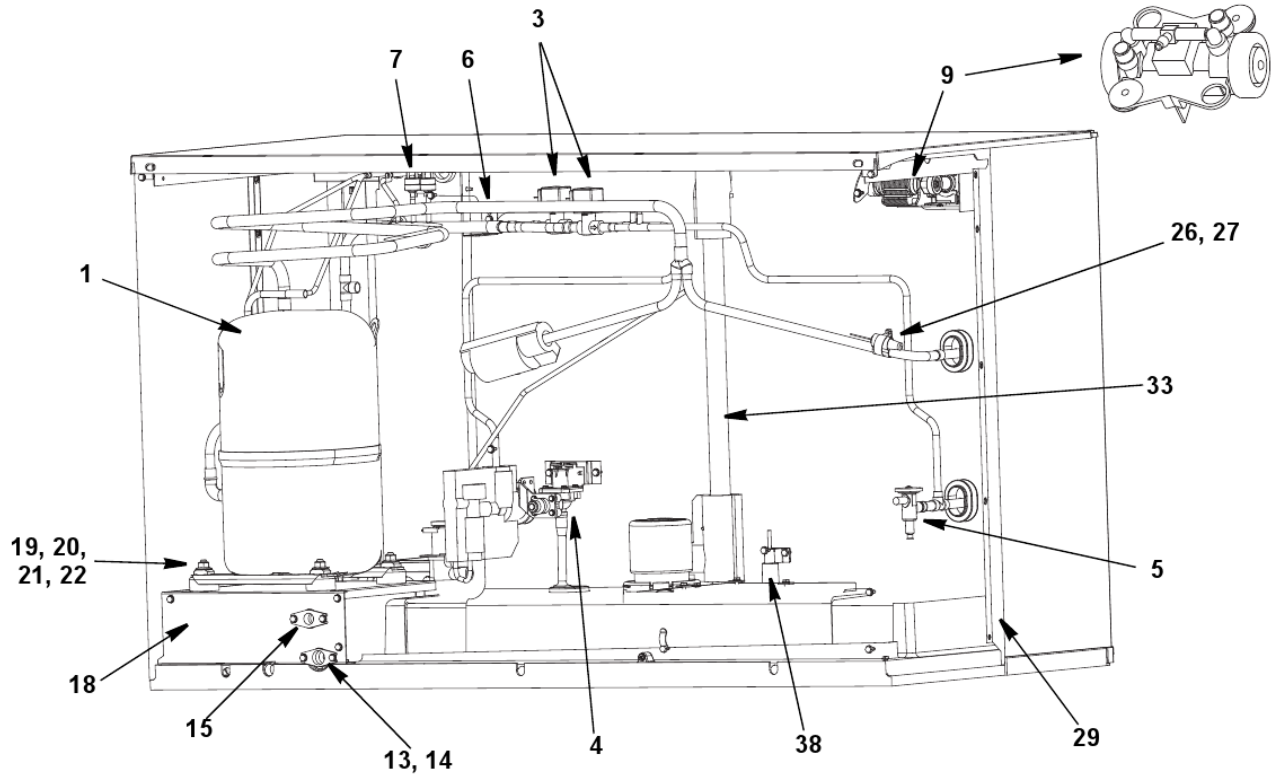
#	PART #	DESCRIPTION	QTY	Note
1		Evaporator Assembly		
1a	7603163	Evaporator - Dice Cube		
1b	7603173	Evaporator - Half Dice Cube		
2		Water Pump - See Note for Usage		
2a	8252109	Water Pump - 230V/50-60 Hz		[1]
2b	2007389	Water Pump - 230V/50 Hz		[2]
3	2006549	Water Level Probe		
3a	2009169	Wire - Control Box to Probe		
4	2008029	Ice Thickness Control Probe		
5	000007888	Magnetic Bin Switch		
6	4014239	Water Curtain		
7	7603193	Water Distribution Tube - 48" Models		
7a	5004649	O-Rings		[3]
8	4009159	Water Trough		
9	000000406	Evaporator Top Filler Panels		[4]
9a	6063339	Bracket - Top Filler Panel		
9b	5202099	Screw - #10-24 x 0.50" PHIL		
10	8373263	Refrigeration Service Valve Assembly		
11	7603203	Evaporator Top Frame Assembly		
12	7603183	Water Diverter - 48" Models		
12a	5305123	Thumbscrew SS - #8-32 x 0.44"		
13	5004799	Thumbscrew SS - #8-32 x 0.375"		[5]
13a	5004629	O-Ring - 0.125" ID		
14	5004619	Screw - #12-16 x 0.687"		
15	5004659	Water Pump Base O-Ring - 4.00" ID		
16	5004679	Water Pump Outlet O-Ring - 0.875" ID		
17	000001382	Vinyl Tubing 0.625" ID		[6]
17a	6038831	Insulation 0.88 ID X 0.25W X 13.50L		

PART NOTES:

- [1] - 60 Hz
- [2] - 50 Hz
- [3] - Back of Distribution Assembly
- [4] - set of two
- [5] - Water Distribution Tube Mounting
- [6] - dump valve to drain adapter

S1400, JC1395

S1400 REFRIGERATION COMPARTMENT - COMMON COMPONENTS



RESOURCE NOTES:

NOTE: Copeland compressors must be replaced with Copeland compressors and Bristol compressors must be replaced with Bristol compressors.

S1400, JC1395

S1400 REFRIGERATION COMPARTMENT - COMMON COMPONENTS

#	PART #	DESCRIPTION	QTY	Note
1		Compressor - Copeland		
1a	7603213	Compressor - Copeland - 208-230V/60 Hz/1 Ph		
1b	7603223	Compressor - Copeland - 208-230V/60 Hz/3 Ph		
1c	7603233	Compressor - Copeland - 230V/50 Hz/1 Ph		
		Compressor - Bristol		
1d	000005173	Compressor - Bristol - 208-230V/60 Hz/1 Ph		
1e	000005174	Compressor - Bristol - 208-230V/60 Hz/3 Ph		
1f	000005175	Compressor - Bristol - 230V/50 Hz/1 Ph		
2		Water Dump Valve		
2a	000001768	Water Dump Valve - 208-230V/50-60 Hz		
3		Harvest Valve		
3a	7630101	Solenoid Valve with Coil - 230V/50-60 Hz		
3b	000005157	Danfoss Solenoid Valve Coil Only - 230V/50-60 Hz		[1]
4		Water Inlet Valve		
4a	000007966	Water Inlet Valve - 208-230V/50-60 Hz		
5	7603243	Expansion Valve		
5a	4013299	Valve Insulation Boot - Body		
5b	4007203	Valve Insulation Boot - Bulb		[2]
6	8253579	Manifold Strainer		
7	2001243	High Pressure Cut-out Control		
8		Electrical Box on Rear of Ice Machine		
8a	6067289	Rear Connection Box		
8b	2006143	Terminal Block - 50 Hz - 3 Pole		
8c	5202169	Screw - #10-24 x 0.50" Ground		
9		Air Compressor		
9a	7603539	Air Compressor Pump 230V with bracket		
9b	4004579	Air Manifold		[3]
10		Compressor Compartment Wiring Harness		
10b	000005519	Compressor Compartment Wiring Harness - Air-cooled		
10a	000005521	Compressor Compartment Wiring Harness - Water-cooled		
10c	000005523	Compressor Compartment Wiring Harness - Remote Air-cooled		
11	000005177	Discharge Muffler		[4]
12	6058459	Water Dump Valve Mounting Bracket		
13	8706093	Female Wing Adapter - 0.375"		
14	1360961	Male Connector		
15	8706083	Female Wing Adapter - 0.50"		
16	4420383	Clear Tubing - 0.625" ID		
17	4420383	Clear Tubing - 0.625" ID		
18	6065909	Compressor Mounting Base		
19	8504859	Rubber Grommet		
20	8503949	Mounting - Sleeve		
21	5004819	Compressor Mounting - Bolt		

S1400, JC1395

S1400 REFRIGERATION COMPARTMENT - COMMON COMPONENTS

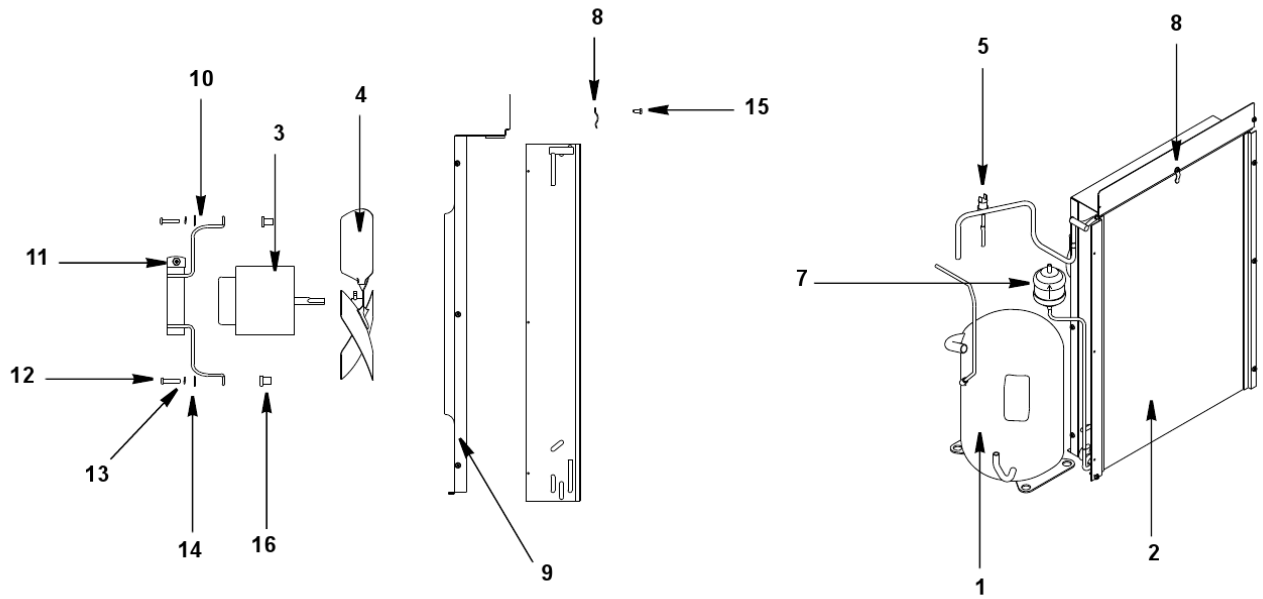
#	PART #	DESCRIPTION	QTY	Note
22	5004829	Compressor Mounting - Nut		
23	2006239	Compressor Wiring Harness		
24	000005176	Compressor Molded Plug Wiring Harness		
25	5650709	Snap Clamp - 0.799"/0.899" ID		
26	5650529	Clamp - Expansion Valve Bulb		
27	3000503	Strap - Expansion Valve Bulb - 0.5"		
28	5202069	Screw - #10-24 x 0.50" HEX		
29	6068659	Left Corner Post		
30	6068649	Left Top Channel		
31	000008752	Right Corner Post		
32	6062579	Right Top Channel		
33	000003407	Insulated Tube		[5]
33a	5650609	Snap Clamp - 1.0" ID		
33b	5650709	Snap Clamp - 0.799"/0.899" ID		
34	4010439	Tubing - Water Inlet Valve		[6]
35	1360989	Connector - Water Inlet Valve		
36	6066449	Water Inlet Valve Bracket		
37	000002474	Check Valve Replacement		[7]
38	2006559	Water Level Probe Holder		
38a	5202069	Screw - #10-24 x 0.50" HEX		

PART NOTES:

- [1] - \pages from 000005156_02.jpg" width=266 height=183>
- [2] - \pages from 400720_08.jpg" width=923 height=583>
- [3] - Air Pump Tubing Outlet
- [4] - After Serial Number 110840851
- [5] - vinyl tubing from distribution tube to water pump & dump valve
- [6] - \pages from 401043_05.jpg" width=1797 height=2238>
- [7] - includes water diverter, vinyl tubing & insulation

S1400, JC1395

S1400 REFRIGERATION COMPARTMENT - AIR-COOLED COMPONENTS



S1400, JC1395

S1400 REFRIGERATION COMPARTMENT - AIR-COOLED COMPONENTS

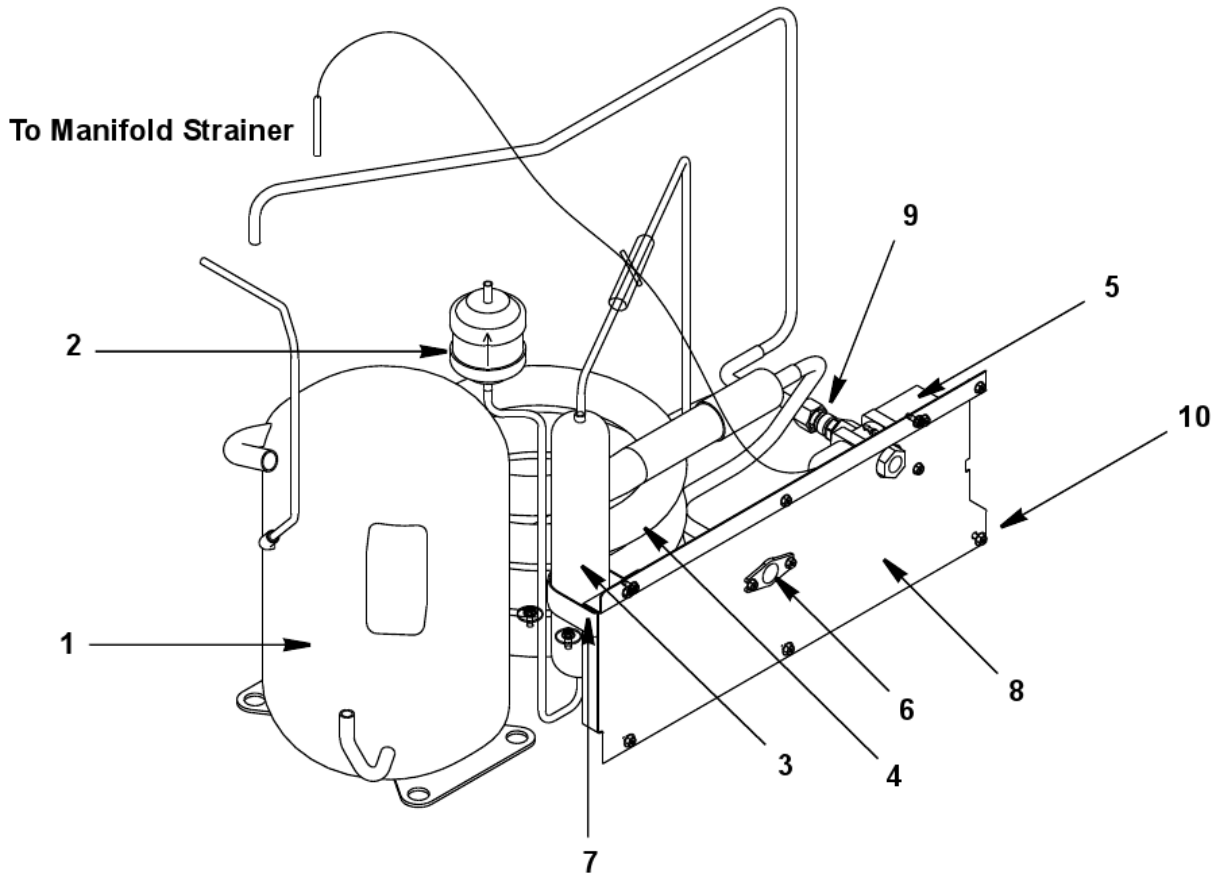
#	PART #	DESCRIPTION	QTY	Note
1		Compressor (Refer to COMMON PARTS Page)		
2	8851283	Air Condenser		
3		Fan Motor		
3a	7626733	Fan Motor - 208-230V/50-60 Hz		[1]
3b	000006007	Fan Motor - 230V/50 Hz		
4	2416113	Fan Blade		
5	2001273	Fan Cycling Control - 225-275 psig		[2]
6	4040243	Air Filter		
7	8930279	Drier		
8	5650699	Air Filter Clip		
9	6068499	Fan Shroud		
10	3006823	Fan Motor Mounting Bracket		
11	5033589	Mounting - Screw		
11a	5545109	Lockwasher		
11b	5429529	Mounting - Hexnut		
12	5032389	Fan Bracket Mounting Screw		
13	5545109	Lockwasher		
14	5573059	Mounting - Flatwasher		
15	5202069	Screw - #10-24 x 0.50" HEX		
16	5429559	Mounting - Rubber Wellnut		

PART NOTES:

- [1] - 60 Hz
- [2] - \pages from 200126_09.jpg" width=170 height=228>

S1400, JC1395

S1400 REFRIGERATION COMPARTMENT - WATER-COOLED COMPONENTS



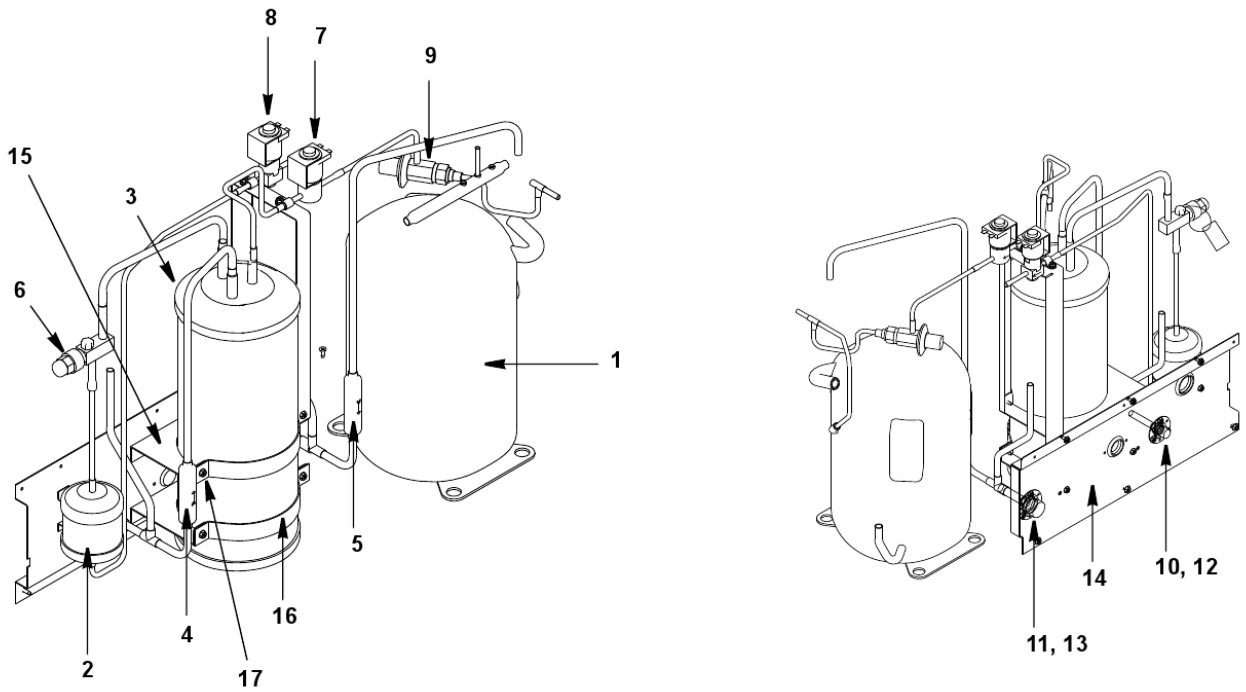
S1400, JC1395

S1400 REFRIGERATION COMPARTMENT - WATER-COOLED COMPONENTS

#	PART #	DESCRIPTION	QTY	Note
1		Compressor (Refer to COMMON PARTS Page)		
2	8930279	Drier		
3	000008894	Receiver		
4	000001508	Water-Cooled Condenser		
5	8372123	Water Regulating Valve		
6	8706083	Female Wing Adapter - 0.50"		
7	6000541	Receiver Strap		
8	6066829	Back Panel - Coupling Panel		
9	5005453	Elbow 0.50 MF x 0.50 NPT		
10	5202063	Screw - #10-24 x 0.50" HEX		
11	5573419	Washer		
12	6066841	Base, Water Condenser/Receiver		

S1400, JC1395

S1400 REFRIGERATION COMPARTMENT - REMOTE COMPONENTS



S1400, JC1395

S1400 REFRIGERATION COMPARTMENT - REMOTE COMPONENTS

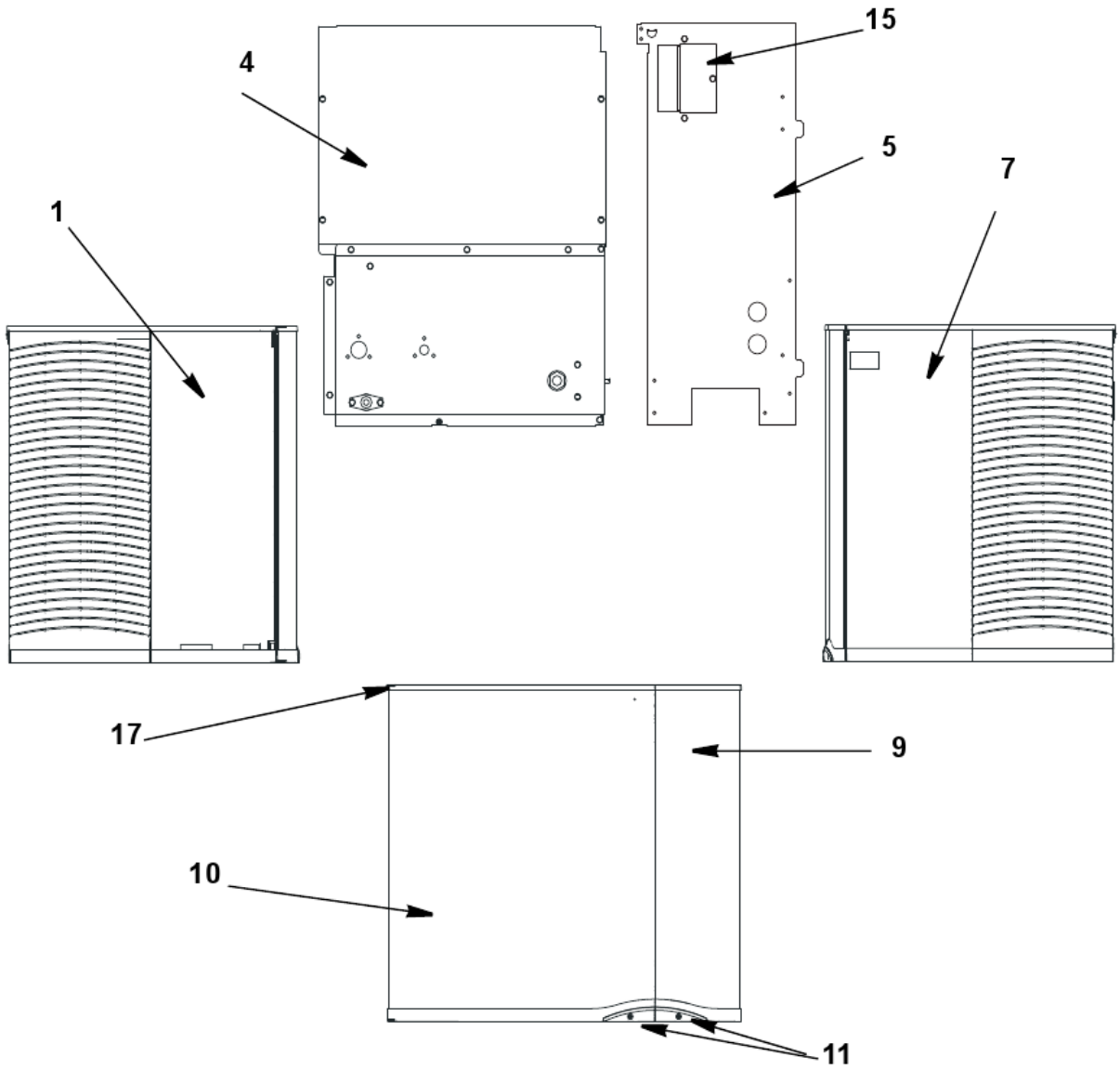
#	PART #	DESCRIPTION	QTY	Note
1	See S1400 Common Components	Compressor		
2	8930279	Drier		
3	7629573	Receiver		
4	8373149	Magni-Check Valve - 0.375"		
5	8373159	Magni-Check Valve - 0.5"		
6	8373169	Receiver Service Valve		
6a	5650753	Caps for Refrigeration Service Valve		
7		Harvest Pressure Regulating Solenoid Valve		
7a	7630061	Danfoss Solenoid Valve with Coil - 208-230V/50-60 Hz		
7b	000005157	Danfoss Solenoid Valve Coil Only - 230V/50-60 Hz		[1]
8		Liquid Line Solenoid Valve		
8a	7630091	Danfoss Solenoid Valve Including 208-230V/50-60 Hz Electrical Coil		
8b	000005157	Danfoss Solenoid Valve Coil Only - 230V/50-60 Hz		[1]
9	8367793	Harvest Pressure Regulating Valve		
10	8360343	Coupling - Male - 5/8-18		
11	8360353	Coupling - Male - 1-1/6-12		
12	8360053	Coupling Mounting Flange for 5/8-18		
13	8360063	Coupling Mounting Flange for 1-1/16-12		
14	6066829	Back Panel - Coupling Panel		
15	6000561	Receiver Mounting Bracket		
16	6307214	Receiver Mounting Strap		
17	5202069	Screw - #10-24 x 0.50" HEX		

PART NOTES:

[1] - \pages from 000005156_02.jpg" width=266 height=183>

S1400, JC1395

S1400 PANELS



S1400, JC1395

S1400 PANELS

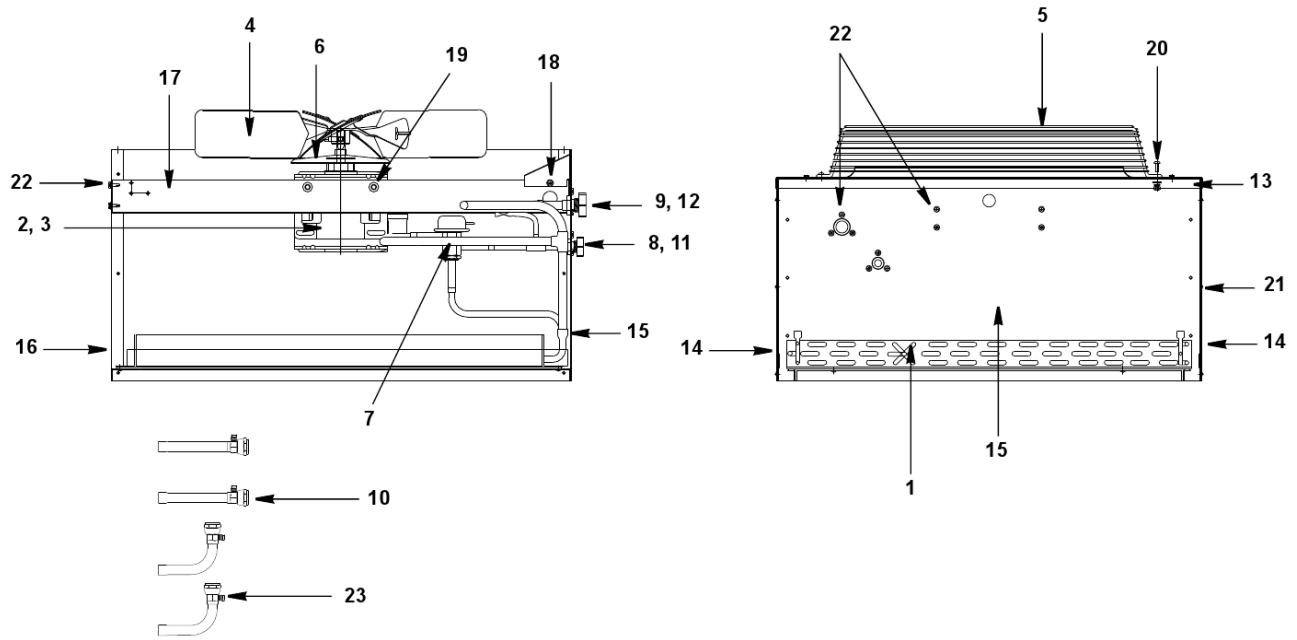
#	PART #	DESCRIPTION	QTY	Note
1	6060559	Left Side Panel		
2	6059719	Air Baffle		
3	4040243	Air Filter		
		Back Panel - See Note for Usage		
4	6069709	Back Panel - Water-cooled / Remote Air-cooled		
5	6069739	Back Panel - Air-cooled / Water-cooled / Remote Air-cooled		
6	6066829	Back Panel - Coupling Panel		
7	6060549	Right Side Panel		
8	4012039	Top Cover		
9	6068689	Right Door		
10	6068679	Left Door		
11	5004899	Front Door Screw		
12		Left Door Endcaps		
12a	4011923	Left Door Endcap - Top		
12b	4011913	Left Door Endcap - Bottom		
13		Right Door Endcaps		
13a	4011943	Right Door Endcap - Top		
13b	4015153	Right Door Endcap - Bottom		
14	3005749	Front Top Support		
14a	5005379	Mounting Screw - #8-32 x 1" PHIL		
14b	5005099	Mounting Screw - #10-16 x 0.625" PHIL		
14c	3006029	Front Panel Strike		
15	4011889	Bottom Door Frame		
15a	5005379	Mounting Screw - #8-32 x 1" PHIL		
15b	5202099	Screw - #10-24 x 0.50" PHIL		
16	6062369	Door Catch Bracket		
16a	5026249	Mounting Screw - #8-32 x 0.50" PHIL		
17	3005579	Left Door Pivot Leaf Hinge		[1]
17a	5005379	Mounting Screw - #8-32 x 1" PHIL		
18	6067299	Rear Connection Box Cover		
19	6064049	Top Cover Bracket		
20	4004593	Sachet Holder		[2]
20a	5004799	Thumbscrew SS - #8-32 x 0.375"		
21	000000548	Cartoning		

PART NOTES:

- [1] - Top or Bottom
- [2] - inside left door

S1400, JC1395

JC1395 REMOTE CONDENSER



S1400, JC1395

JC1395 REMOTE CONDENSER

#	PART #	DESCRIPTION	QTY	Note
1	8850903	Air Condenser		
2	7629413	Fan Motor - 208-230V/50-60 Hz/1 Ph		
3	8504583	Fan Motor Run Capacitor		[1]
4	2416113	Fan Blade		
5	3400643	Fan Guard		
6	2415053	Rain Slinger		
7	000004070	Head Pressure Control Valve		
8	8360343	Coupling - Male - 5/8-18		
9	8360353	Coupling - Male - 1-1/6-12		
10		Female Line Set Coupling Kit		[2]
11	8360053	Coupling Mounting Flange for 5/8-18		
12	8360063	Coupling Mounting Flange for 1-1/16-12		
13	6017891	Top Cover		
14	6017901	Panel - Side Before Serial Number 110529484		
15	6017911	Panel - Rear Before Serial Number 110529484		
16	6017921	Panel - Front Before Serial Number 110529484		
17	6017681	Fan Motor Mounting Bracket		
18	6017761	Electrical Box Cover		
19	5035659	Fan Motor Mounting Screw		
19a	5573099	Mounting - Flatwasher		
19b	5573139	Mounting - Lockwasher		
19c	5429759	Mounting - Hexnut		
20	5033459	Screw - 1/4-20 x 0.625"		
20a	5573049	Flatwasher		
20b	5545119	Mounting - Lockwasher		
20c	5429529	Mounting - Hexnut		
21	5121539	Panel/Condenser Mounting Screw - #8 x 0.50"		
21a	5544599	Panel/Condenser Mounting Lockwasher		
22	5202059	Screw		
23	7626843	Valve Cores		
24	6017691	Legs		
25	000000546	Cartoning		

PART NOTES:

- [1] - Emerson
- [2] - Sold as Finished Goods Sales Kit Sales K0129