



***Manitowoc***  
**Foodservice**  
**Parts Manual**

For more Parts Information:

<https://manitowocfsg.sysonline.com/Default.aspx>

# TABLE OF CONTENTS

Manitowoc Foodservice [Updated: Sep. 30, 2013]

Manitowoc - Ice & Related

Parts Catalog

Ice Machine

S Series

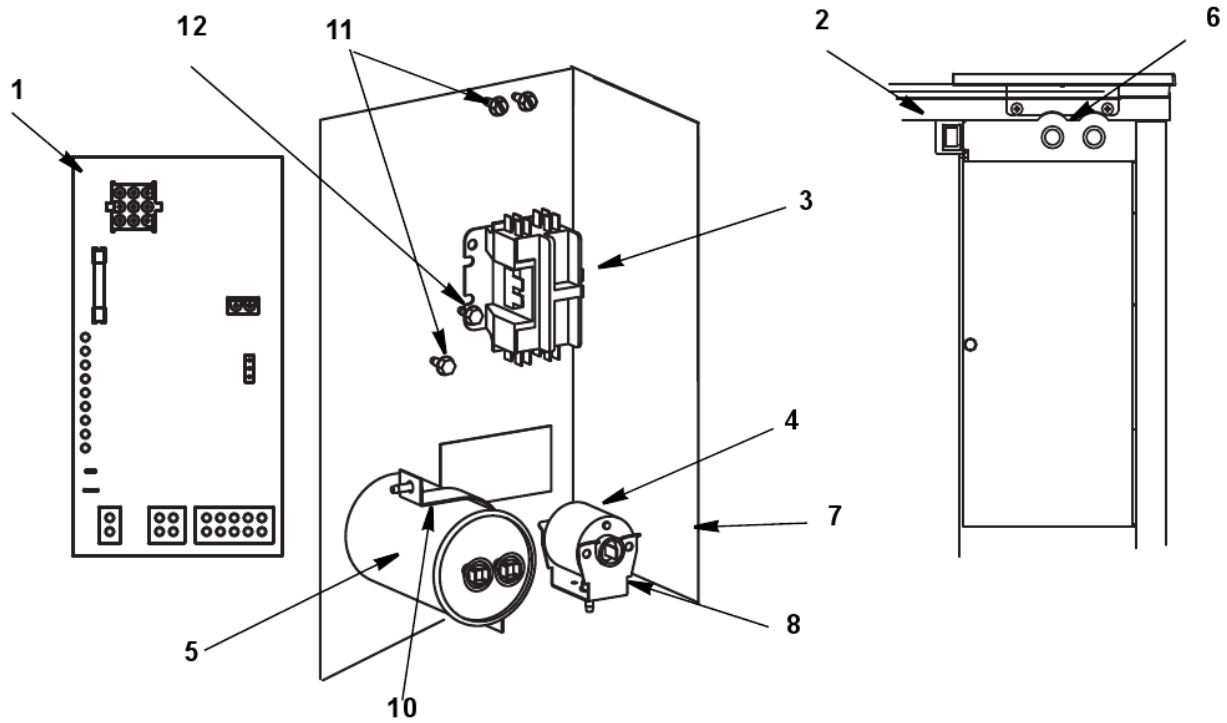
S Model - Air, Water & Remote

S1200

S1200 Control Box Components .....	1
S1200 Evaporator Compartment - Common Components .....	3
S1200 Refrigeration Compartment - Common Components .....	5
S1200 Refrigeration Compartment - Air-cooled Components .....	8
S1200 Refrigeration Compartment - Water-cooled Components .....	10
S1200 Panels .....	12

# S1200

## S1200 CONTROL BOX COMPONENTS



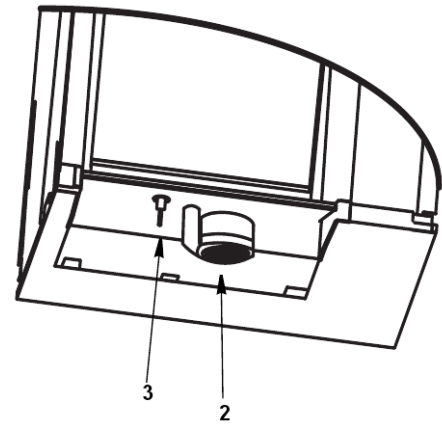
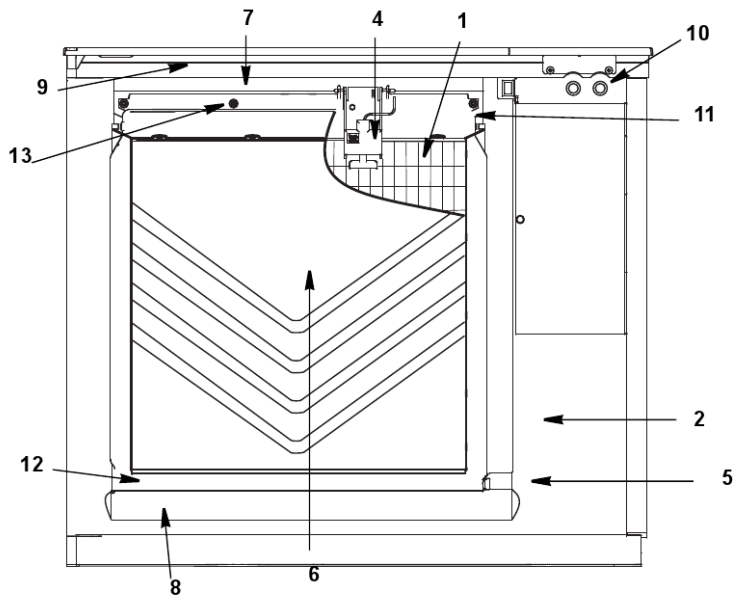
# S1200

## S1200 CONTROL BOX COMPONENTS

#	PART #	DESCRIPTION	QTY	Note
1	2006199	Control Board		
1a	000008240	7 Amp Fuse - Mounted on Control Board		
2	2007939	Toggle Switch		
2a	2008079	Toggle Switch Wiring Harness		
2b	4011639	Toggle Switch Box		
3		Contactor		
3a	2009089	Contactor - 208-230V/50-60 Hz/1 Ph		
3b	2006619	Contactor - 230V/60 Hz/3 Ph		
4	8504913	PTCR		
5	2010133	Run Capacitor - 115-230V/50-60 Hz/1 Ph		
6	8373263	Refrigeration Service Valve Assembly		
7	7602143	Control Box		
7a	7602153	Control Box Cover		
8	8504953	PTCR Bracket		
9	4302253	Control Board Mounting Supports		
10	6024953	Capacitor Mounting Strap		
11	5202169	Screw - #10-24 x 0.50" Ground		
11a	5573209	Star Washer		
12	5202069	Screw - #10-24 x 0.50" HEX		
13		Control Box Wiring Harness		
13a	2008999	Control Box Wiring Harness - 230V/60 Hz/1 Ph		
14	2007439	Harvest Air Assist Pump Wiring Harness		

# S1200

## S1200 EVAPORATOR COMPARTMENT - COMMON COMPONENTS



# S1200

## S1200 EVAPORATOR COMPARTMENT - COMMON COMPONENTS

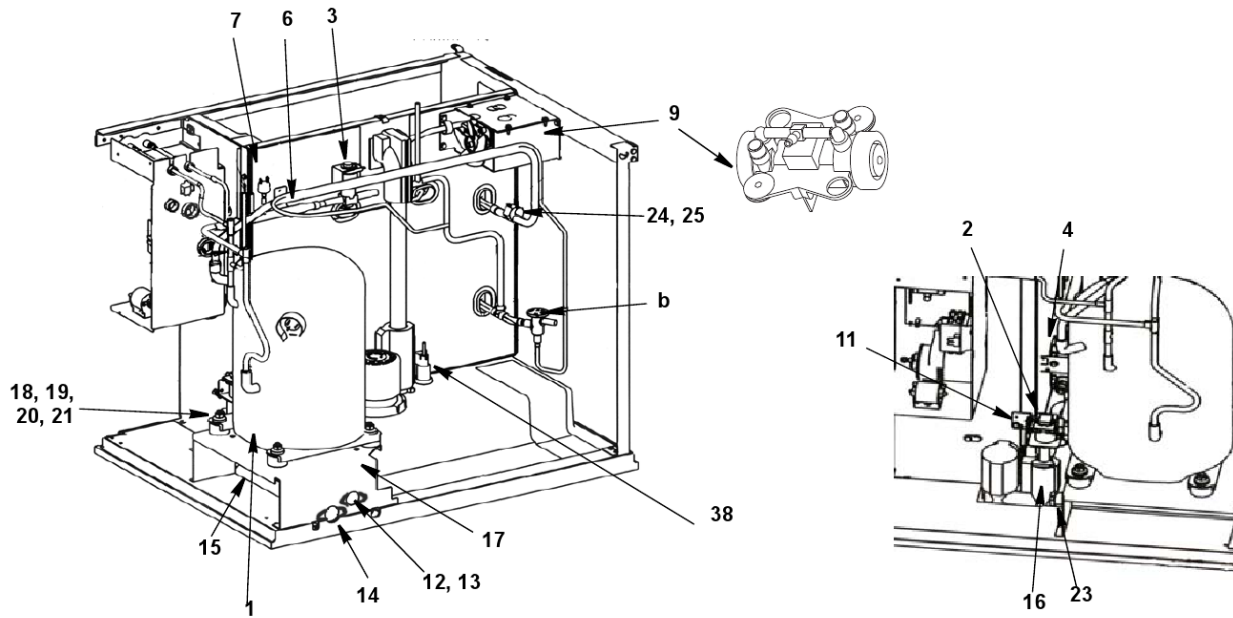
#	PART #	DESCRIPTION	QTY	Note
1		Evaporator Assembly		
1a	7604203	Evaporator - Dice Cube		
1b	7604213	Evaporator - Half Dice Cube		
2		Water Pump		
2a	2008109	Water Pump - 230V/60 Hz		
2b	2008119	Water Pump - 230V/50-60 Hz		
3	2006549	Water Level Probe		
3a	2007989	Wire - Control Box to Probe		
4	2008029	Ice Thickness Control Probe		
5	000007888	Magnetic Bin Switch		
6	4014489	Water Curtain		
7	7602193	Water Distribution Tube - 30" Models		
7a	5004649	O-Rings		[1]
8	4003609	Water Trough		[2]
9	3006729	Evaporator Top Filler Panel		
10	8373263	Refrigeration Service Valve Assembly		
11	7602203	Evaporator Top Frame Assembly		
12	7602213	Water Diverter - 30" Models		
12a	5305123	Thumbscrew SS - #8-32 x 0.44"		
13	5004799	Thumbscrew SS - #8-32 x 0.375"		[3]
13a	5004629	O-Ring - 0.125" ID		
14	5004619	Screw - #12-16 x 0.687"		
15	5004659	Water Pump Base O-Ring - 4.00" ID		
16	5004679	Water Pump Outlet O-Ring - 0.875" ID		
17	000001382	Vinyl Tubing 0.625" ID		[4]
17a	6038831	Insulation 0.88 ID X 0.25W X 13.50L		

### PART NOTES:

- [1] - Back of Distribution Assembly
- [2] - \water trough.jpg" width=313 height=169>
- [3] - Water Distribution Tube Mounting
- [4] - dump valve to drain adapter

# S1200

## S1200 REFRIGERATION COMPARTMENT - COMMON COMPONENTS



# S1200

## S1200 REFRIGERATION COMPARTMENT - COMMON COMPONENTS

#	PART #	DESCRIPTION	QTY	Note
1		Compressor (After Serial Number 110707329)		
1a	000008729	Compressor - Copeland - 208-230V/60 Hz/1 Ph		[1]
1b	000008730	Compressor - Copeland - 208-230V/60 Hz/3 Ph		[1]
1c	000008731	Compressor - Copeland - 208-230V/50 Hz/1 Ph		[1]
1d	7603213	Compressor (Before Serial Number 110707329) Compressor - Copeland - 208-230V/60 Hz/1 Ph		[2]
1e	7603223	Compressor - Copeland - 208-230V/60 Hz/3 Ph		[2]
1f	7603233	Compressor - Copeland - 230V/50 Hz/1 Ph		[2]
2		Water Dump Valve		
2a	000001768	Water Dump Valve - 208-230V/50-60 Hz		
3		Harvest Valve		
3a	7604223	Solenoid Valve with Electrical Coil - 208-230V		
3b	2009079	Electrical Coil Only - 208-230V		
4		Water Inlet Valve		
4a	000007966	Water Inlet Valve - 208-230V/50-60 Hz		
5		Expansion Valve - See Note for Serial Break		
5a	7601593	Expansion Valve		[1]
5b	7602253	Expansion Valve		[2]
6	8253579	Manifold Strainer		
7	2001243	High Pressure Cut-out Control		
8		Electrical Box on Rear of Ice Machine		
8a	Included in Back Panel Assembly	Electrical Connection Box Cover		
8b	2006143	Terminal Block - 50 Hz - 3 Pole		
8c	5202169	Screw - #10-24 x 0.50" Ground		
9		Air Compressor		
9a	7603539	Air Compressor Pump 230V with bracket		
9b	4011739	Air Manifold		[3]
10		Compressor Compartment Wiring Harness - See Note for Serial Break		
		Before Serial Number 110707329		
10a	2007319	Compressor Compartment Wiring Harness - Air-cooled		[2]
10b	2007329	Compressor Compartment Wiring Harness - Water-cooled		[2]
		After Serial Number 110707329		
10c	000002327	Compressor Compartment Wiring Harness - Air-cooled		[1]
10d	000002328	Compressor Compartment Wiring Harness - Water-cooled		[1]
11	6058459	Water Dump Valve Mounting Bracket		
12	8706093	Female Wing Adapter - 0.375"		
13	1360961	Male Connector		
14	8706083	Female Wing Adapter - 0.50"		
15	4420383	Clear Tubing - 0.625" ID		
16	4420383	Clear Tubing - 0.625" ID		
17	6061709	Compressor Mounting Base		
18	8503069	Mounting - Rubber Grommet		



# S1200

## S1200 REFRIGERATION COMPARTMENT - COMMON COMPONENTS

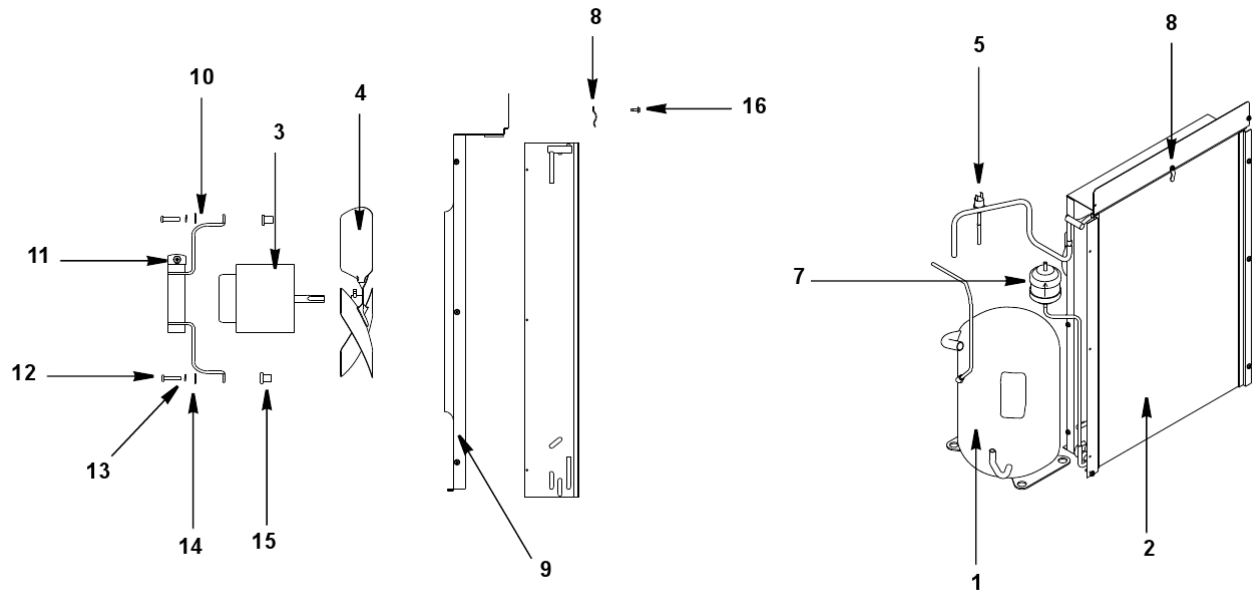
#	PART #	DESCRIPTION	QTY	Note
19	8503949	Mounting - Sleeve		
20	5004819	Compressor Mounting - Bolt		
21	5004829	Compressor Mounting - Nut		
22	2006239	Compressor Wiring Harness		
23	5650709	Snap Clamp - 0.799"/0.899" ID		
24	5650529	Clamp - Expansion Valve Bulb		
25	3000503	Strap - Expansion Valve Bulb - 0.5"		
26	4013299	Valve Insulation Boot - Body		
27	4007203	Valve Insulation Boot - Bulb		[4]
28	5202069	Screw - #10-24 x 0.50" HEX		
29	6065999	Left Corner Post		
30	6068649	Left Top Channel		
31	6067139	Right Corner Post		
32	6062579	Right Top Channel		
33	000003408	Insulated Tube		[5]
33a	5650603	Snap Clamp - 1.0" ID		
33b	5650703	Snap Clamp - 0.799"/0.899" ID		
34	4010439	Tubing - Water Inlet Valve		[6]
35	1360989	Connector - Water Inlet Valve		
36	6058459	Water Dump Valve Mounting Bracket		
37	000002473	Check Valve Replacement		[7]
38	2006559	Water Level Probe Holder		
39	5202069	Screw - #10-24 x 0.50" HEX		

### PART NOTES:

- [1] - After Serial Number 110707329
- [2] - Before Serial Number 110707329
- [3] - Air Pump Tubing Outlet
- [4] - \pages from 400720\_08.jpg" width=923 height=583>
- [5] - vinyl tubing from distribution tube to water pump & dump valve
- [6] - \pages from 401043\_05.jpg" width=1797 height=2238>
- [7] - includes water diverter, vinyl tubing & insulation

# S1200

## S1200 REFRIGERATION COMPARTMENT - AIR-COOLED COMPONENTS



# S1200

## S1200 REFRIGERATION COMPARTMENT - AIR-COOLED COMPONENTS

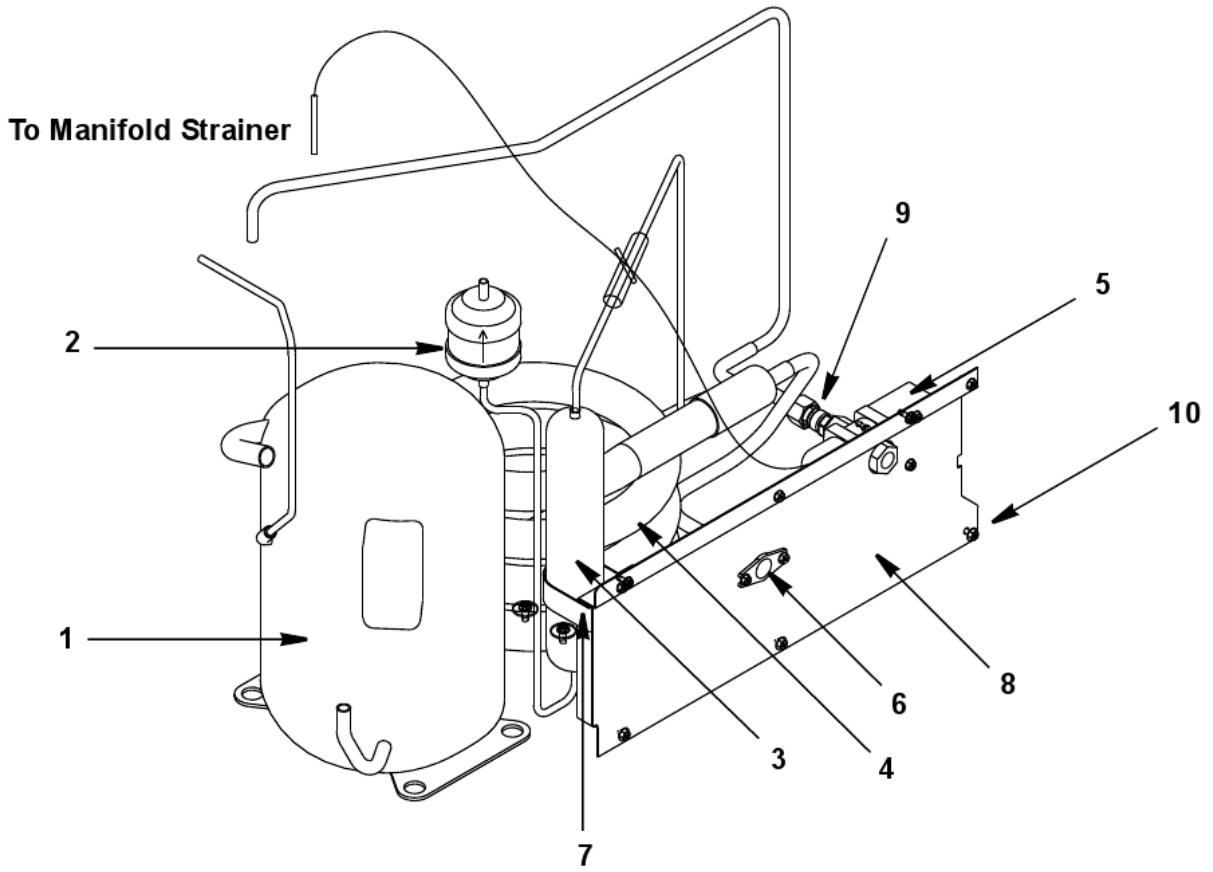
#	PART #	DESCRIPTION	QTY	Note
1		Compressor (Refer to COMMON PARTS Page)		
2	8252959	Air Condenser		
3	7626723	Fan Motor - 208-230V/50-60 Hz		
4	2416123	Fan Blade		
5	2001273	Fan Cycling Control - 225-275 psig		[1]
6	4040213	Air Filter		
7	8930249	Drier		
8	5650699	Air Filter Clip		
9	6068799	Fan Shroud		
10	3006843	Fan Motor Bracket		
11	5033589	Mounting - Screw		
11a	5545109	Mounting - Lockwasher		
11b	5429529	Mounting - Hexnut		
12	5032389	Fan Bracket Mounting Screw		
13	5545109	Lockwasher		
14	5573059	Mounting - Flatwasher		
15	5429559	Mounting - Rubber Wellnut		
16	5202069	Screw - #10-24 x 0.50" HEX		

### PART NOTES:

[1] - \pages from 200126\_09.jpg" width=170 height=228>

# S1200

## S1200 REFRIGERATION COMPARTMENT - WATER-COOLED COMPONENTS



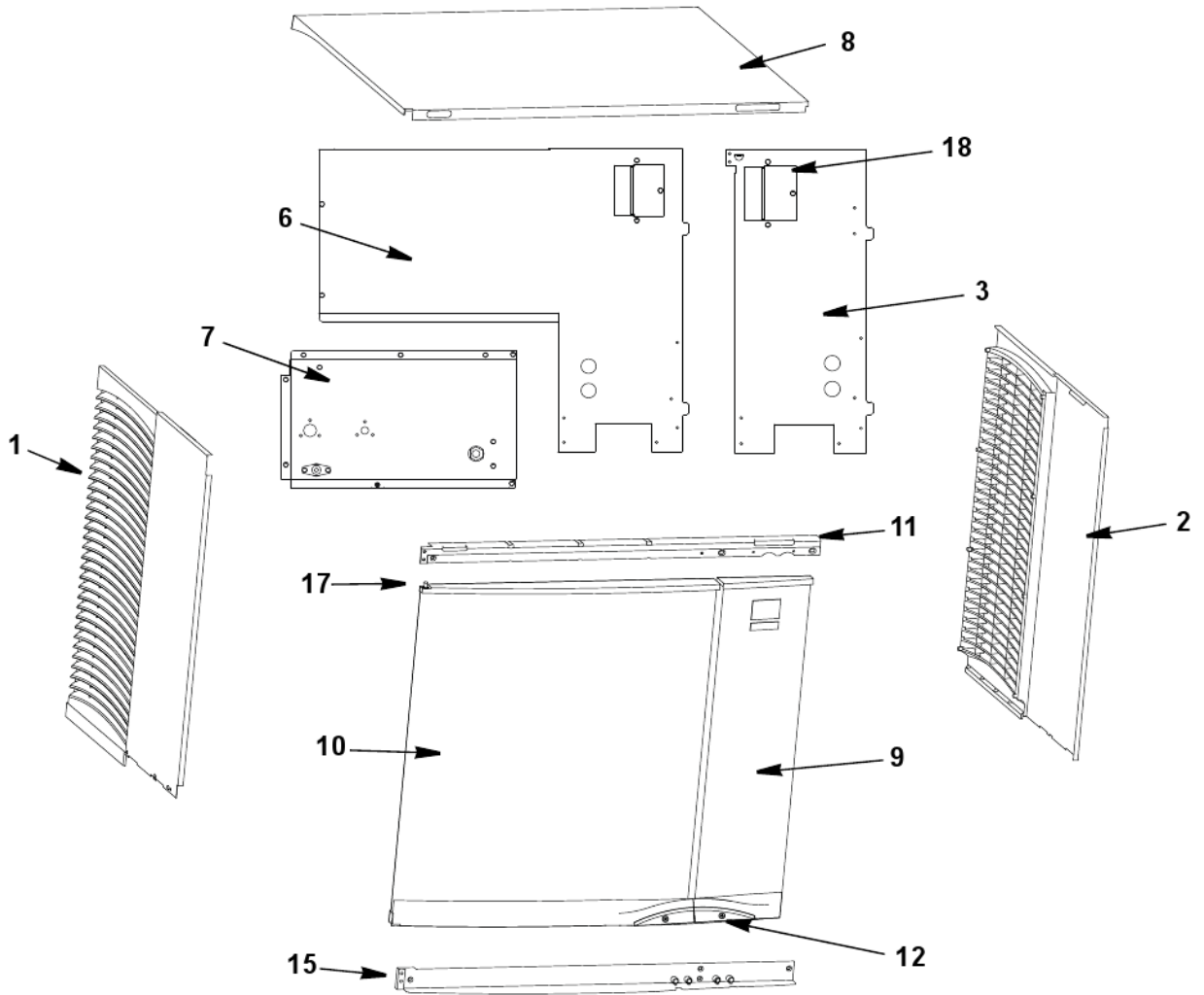
# S1200

## S1200 REFRIGERATION COMPARTMENT - WATER-COOLED COMPONENTS

#	PART #	DESCRIPTION	QTY	Note
1		Compressor (Refer to COMMON PARTS Page)		
2	8930249	Drier		
3	000008893	Receiver		
4	000001508	Water-Cooled Condenser		
5	8372123	Water Regulating Valve		
6	8706083	Female Wing Adapter - 0.50"		
7	6000541	Receiver Strap		
8	6069189	Back Coupling Panel, Water Connections		
9	8334193	Water Regulating Valve Union		
10	5202069	Screw - #10-24 x 0.50" HEX		
11	5573419	Washer		
12	6069051	Base, Water Condenser/Receiver		

# S1200

## S1200 PANELS



# S1200

## S1200 PANELS

#	PART #	DESCRIPTION	QTY	Note
1	6060579	Left Side Panel		
2	6060569	Right Side Panel		
		Air-Cooled Back Panels		
3	6069389	Back Panel with Electrical Connection Box, Air-cooled Models		
4	4040213	Air Filter		
5	6071379	Air Baffle		
		Water-Cooled Back Panels		
6	000000334	Back Panel with Electrical Connection Box, Water-cooled Models		
7	6069189	Back Coupling Panel, Water Connections Aluminum Front Top Support on machine		[1]
8	000006699	Top Cover		
9	6071701	Right Door		
10	6071691	Left Door		
11	000000295	Front Top Rail		
11a	5005379	Mounting Screw - #8-32 x 1" PHIL		
11b	5005099	Mounting Screw - #10-16 x 0.625" PHIL Plastic Front Top Support on machine		[2]
8	000006699	Top Cover		
9	6071701	Right Door		
10	6071691	Left Door		
11	000000295	Front Top Rail		
11a	5005379	Mounting Screw - #8-32 x 1" PHIL		
11b	5005099	Mounting Screw - #10-16 x 0.625" PHIL		
12	5004899	Front Door Screw		
13		Left Door Endcaps		
13a	4015113	Left Door End Cap - Top		
13b	4015123	Left Door End Cap - Bottom		
14		Right Door Endcaps		
14a	4015143	Right Door End Cap - Top		
14b	4015153	Right Door Endcap - Bottom		
15	7602263	Bottom Door Frame		
15a	5005379	Mounting Screw - #8-32 x 1" PHIL		
15b	5202099	Screw - #10-24 x 0.50" PHIL		
16	6062369	Door Catch Bracket		
16a	5026249	Mounting Screw - #8-32 x 0.50" PHIL		
17	3005579	Left Door Pivot Leaf Hinge		[3]
17a	5005379	Mounting Screw - #8-32 x 1" PHIL		
18		Electrical Connection Box Cover		
19	4004599	Sachet Holder		[4]
19a	5004799	Thumbscrew SS - #8-32 x 0.375"		
20	7112429	Cartoning		

# S1200

## S1200 PANELS

#	PART #	DESCRIPTION	QTY	Note
---	--------	-------------	-----	------

**PART NOTES:**

- [1] - replace all
- [2] - replace as needed
- [3] - Top or Bottom
- [4] - inside left door