



Manitowoc
Foodservice
Parts Manual

For more Parts Information:

<https://manitowocfsg.sysonline.com/Default.aspx>

TABLE OF CONTENTS

Manitowoc Foodservice [Updated: Sep. 30, 2013]

Manitowoc - Ice & Related

Parts Catalog

Ice Machine

S Series

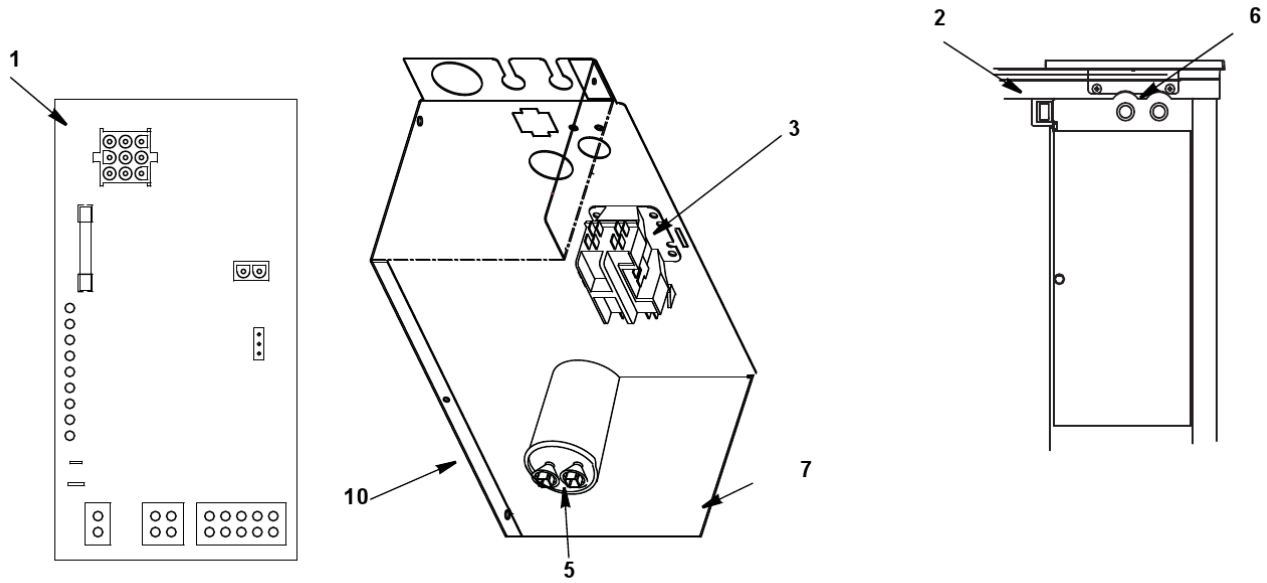
S Model - Air, Water & Remote

S0600, JC0895

S0600 Control Box	1
S0600 Evaporator Compartment	3
S0600 Refrigeration Compartment - Common Components	5
S0600 Refrigeration Compartment - Air-cooled Components	8
S0600 Refrigeration Compartment - Water-cooled Components	10
S0600 Refrigeration Compartment - Remote Air-cooled Components	12
S0600 Panels	14
JC0895 Remote Condenser	17

S0600, JC0895

S0600 CONTROL BOX



S0600, JC0895

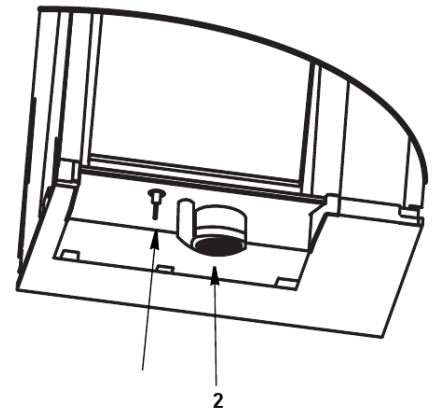
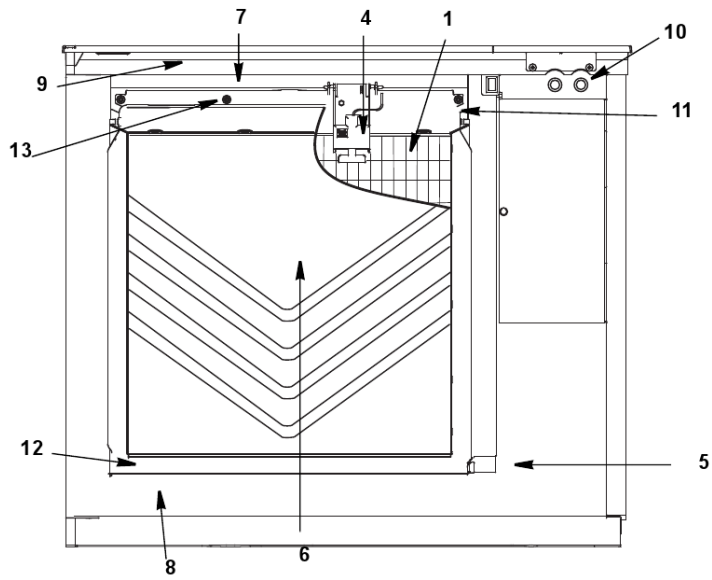
S0600 CONTROL BOX

#	PART #	DESCRIPTION	QTY	Note
1	2006199	Control Board		
1a	000008240	7 Amp Fuse - Mounted on Control Board		
2	2007939	Toggle Switch		
2a	2008079	Toggle Switch Wiring Harness		
2b	4011639	Toggle Switch Box		
3		Contactor		
3a	2006599	Contactor - 230V/50-60 Hz/1 Ph		
4	8504993	PTCR Compressor Starter		
5		Compressor Run Capacitor - See Note for Usage		
5a	8503933	Run Capacitor - 115-230V/50-60 Hz/1 Ph		[1]
5b	2010133	Run Capacitor - 115-230V/50-60 Hz/1 Ph		[2]
6	8373263	Refrigeration Service Valve Assembly		
7	7602143	Control Box		
7a	7602153	Control Box Cover		
8	8505013	PTCR Compressor Starter Mounting Bracket		
9	4302253	Control Board Mounting Supports		
10	6024951	Capacitor Bracket		
11	5202169	Screw - #10-24 x 0.50" Ground		
11a	5573209	Star Washer		
12	5202069	Screw - #10-24 x 0.50" HEX		
13		Control Box Wiring Harness		
13a	2007349	Control Box Wiring Harness - 230V/60 Hz/1 Ph		
13b	2007359	Control Box Wiring Harness - 230V/50 Hz/1 Ph		

PART NOTES:

- [1] - Use with Copeland Compressors
- [2] - Use with Bristol Compressors

S0600 EVAPORATOR COMPARTMENT



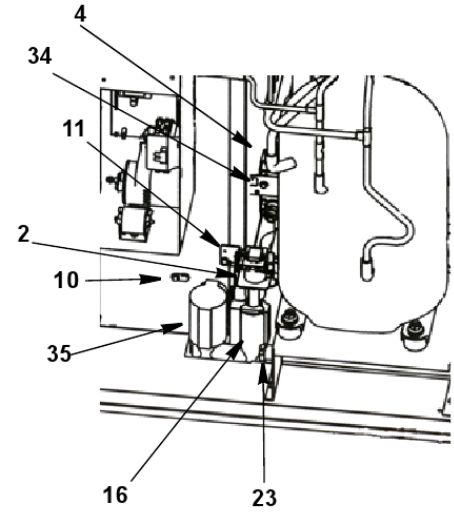
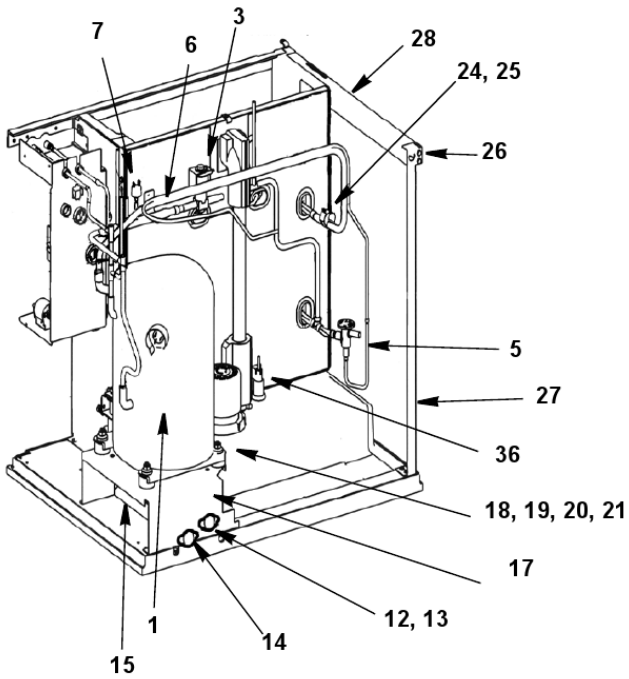
S0600 EVAPORATOR COMPARTMENT

#	PART #	DESCRIPTION	QTY	Note
1		Evaporator Assembly		
1a	7602839	Evaporator - Dice Cube		
1b	7602849	Evaporator - Half Dice Cube		
1c	7602859	Evaporator - Regular Cube		
2		Water Pump - See Note for Usage		
2a	2007399	Water Pump - 230V/60 Hz		[1]
2b	8252109	Water Pump - 230V/50-60 Hz		[2]
3	2006549	Water Level Probe		
3a	2007989	Wire - Control Box to Probe		
4	2008029	Ice Thickness Control Probe		
5	000007888	Magnetic Bin Switch		
6	4010979	Water Curtain		
7	7602193	Water Distribution Tube - 30" Models		
7a	5004649	O-Rings		[3]
8	4003609	Water Trough		[4]
9	4008469	Evaporator Top Filler Panel		
9a	6063339	Bracket - Top Filler Panel		
9b	5202099	Screw - #10-24 x 0.50" PHIL		
10	8373263	Refrigeration Service Valve Assembly		
11	7602203	Evaporator Top Frame Assembly		
12	7602213	Water Diverter - 30" Models		
12a	5305123	Thumbscrew SS - #8-32 x 0.44"		
13	5004799	Thumbscrew SS - #8-32 x 0.375"		[5]
13a	5004629	O-Ring - 0.125" ID		
14	5004619	Screw - #12-16 x 0.687"		[6]
15	5004659	Water Pump Base O-Ring - 4.00" ID		
16	5004679	Water Pump Outlet O-Ring - 0.875" ID		
17	000001382	Vinyl Tubing 0.625" ID		[7]
17a	6038831	Insulation 0.88 ID X 0.25W X 13.50L		

PART NOTES:

- [1] - 60 Hz
- [2] - 50 Hz
- [3] - Back of Distribution Assembly
- [4] - \water trough.jpg" width=313 height=169>
- [5] - Water Distribution Tube Mounting
- [6] - Used to Mount Evaporator
- [7] - dump valve to drain adapter

S0600 REFRIGERATION COMPARTMENT - COMMON COMPONENTS



S0600, JC0895

S0600 REFRIGERATION COMPARTMENT - COMMON COMPONENTS

#	PART #	DESCRIPTION	QTY	Note
		NOTE		[1]
1		Bristol Compressor		
1a	000009307	Bristol Compressor - 208-230V/60 Hz/1 Ph		
1b	000009959	Bristol Compressor - 230V/50 Hz/1 Ph		
1c	000009957	Bristol Compressor - 230V/60 Hz/ 3 Ph		
1d	000005176	Compressor Molded Plug Wiring Harness		
1e		Conversion Kit to Replace Copeland Compressor with Bristol Compressor		
1f	000009960	Air/Water Models Kit		
1g	000009958	Remote Models Kit		
2		Water Dump Valve		
2a	000001768	Water Dump Valve - 208-230V/50-60 Hz		
3		Harvest Valve Including Electrical Coil		
3a	7630091	Solenoid Valve Including 208-230V/50-60 Hz Electrical Coil Harvest Valve Coil Only		
3b	000005157	Danfoss Solenoid Valve Coil Only - 230V/50-60 Hz		[2]
4		Water Inlet Valve with Coil		
4a	000007966	Water Inlet Valve - 208-230V/50-60 Hz		
5	7601583	Expansion Valve		
5a	4000363	Valve Insulation Boot - Body		
5b	4007203	Valve Insulation Boot - Bulb		[3]
6	8251049	Manifold Strainer		
7	2001243	High Pressure Cut-out Control		
8		Electrical Box on Rear of Ice Machine		
8a		Electrical Box		[4]
8b	2006143	Terminal Block - 50 Hz - 3 Pole		
8c	5202169	Screw - #10-24 x 0.50" Ground		
9		Compressor Compartment Wiring Harness		
9a	2007329	Compressor Compartment Wiring Harness - Water-cooled		
9b	2007319	Compressor Compartment Wiring Harness - Air-cooled		
9c	2007339	Compressor Compartment Wiring Harness - Remote Air-cooled		
10	000007888	Magnetic Bin Switch		
11	6058459	Water Dump Valve Mounting Bracket		
12	8706093	Female Wing Adapter - 0.375"		
13	1360961	Male Connector		
14	8706083	Female Wing Adapter - 0.50"		
15	4420383	Clear Tubing - 0.625" ID		[5]
16	4420383	Clear Tubing - 0.625" ID		[6]
17	6061709	Compressor Mounting Base		
18	8503069	Mounting - Rubber Grommet		
19	8503949	Mounting - Sleeve		
20	5004819	Compressor Mounting - Bolt		
21	5004829	Compressor Mounting - Nut		

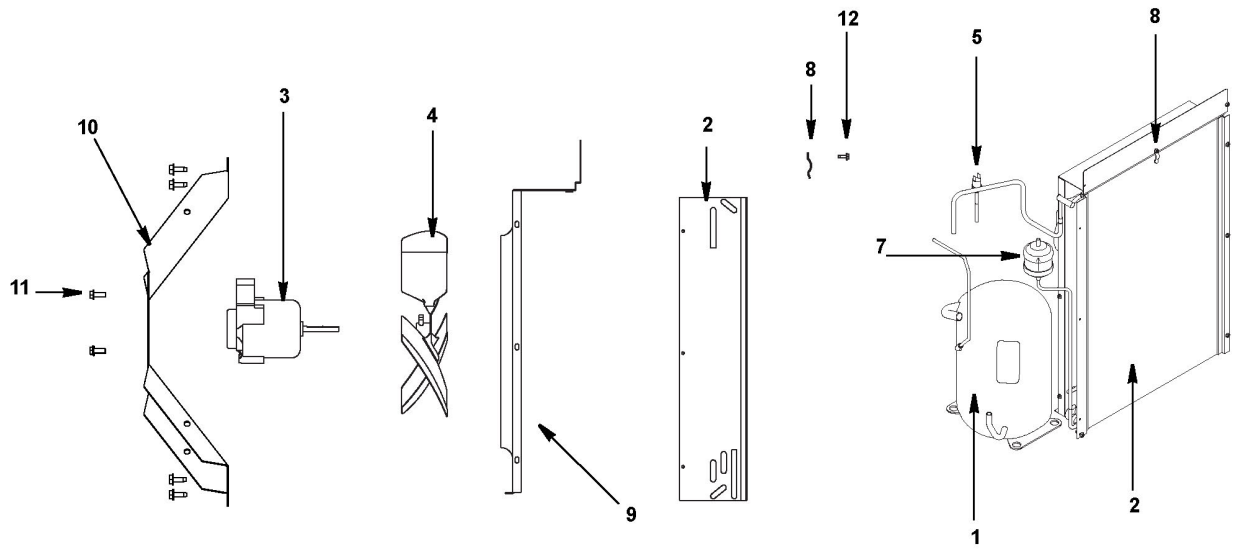
S0600 REFRIGERATION COMPARTMENT - COMMON COMPONENTS

#	PART #	DESCRIPTION	QTY	Note
22	2008529	Compressor Wiring Harness		
23	5650709	Snap Clamp - 0.799"/0.899" ID		
24	5650529	Clamp - Expansion Valve Bulb		
25	3000503	Strap - Expansion Valve Bulb - 0.5"		
26	5202069	Screw - #10-24 x 0.50" HEX		
27	6062939	Left Corner Post		
28	6068649	Left Top Channel		
29	6062929	Right Corner Post		
30	6062579	Right Top Channel		
31	000003405	Insulated Tube		[7]
31a	5650603	Snap Clamp - 1.0" ID		
31b	5650703	Snap Clamp - 0.799"/0.899" ID		
32	4010439	Tubing - Water Inlet Valve		[8]
33	1360989	Connector - Water Inlet Valve		
34	6058459	Water Dump Valve Mounting Bracket		
35	000002473	Check Valve Replacement		[9]
36	2006559	Water Level Probe Holder		
36a	5202069	Screw - #10-24 x 0.50" HEX		[10]

PART NOTES:

- [1] - Copeland compressors are no longer available, order a bristol compressor AND the corresponding conversion kit.
- [2] - \pages from 000005156_02.jpg" width=266 height=183>
- [3] - \pages from 400720_08.jpg" width=923 height=583>
- [4] - Included in Back Panel Assembly
- [5] - Water Drain - 12 inches
- [6] - Dump Valve Tubing - 3.25 inches
- [7] - vinyl tubing from distribution tube to water pump & dump valve
- [8] - \pages from 401043_05.jpg" width=1797 height=2238>
- [9] - includes water diverter, vinyl tubing & insulation
- [10] - mounts Water Level Probe Holder

S0600 REFRIGERATION COMPARTMENT - AIR-COOLED COMPONENTS



S0600, JC0895

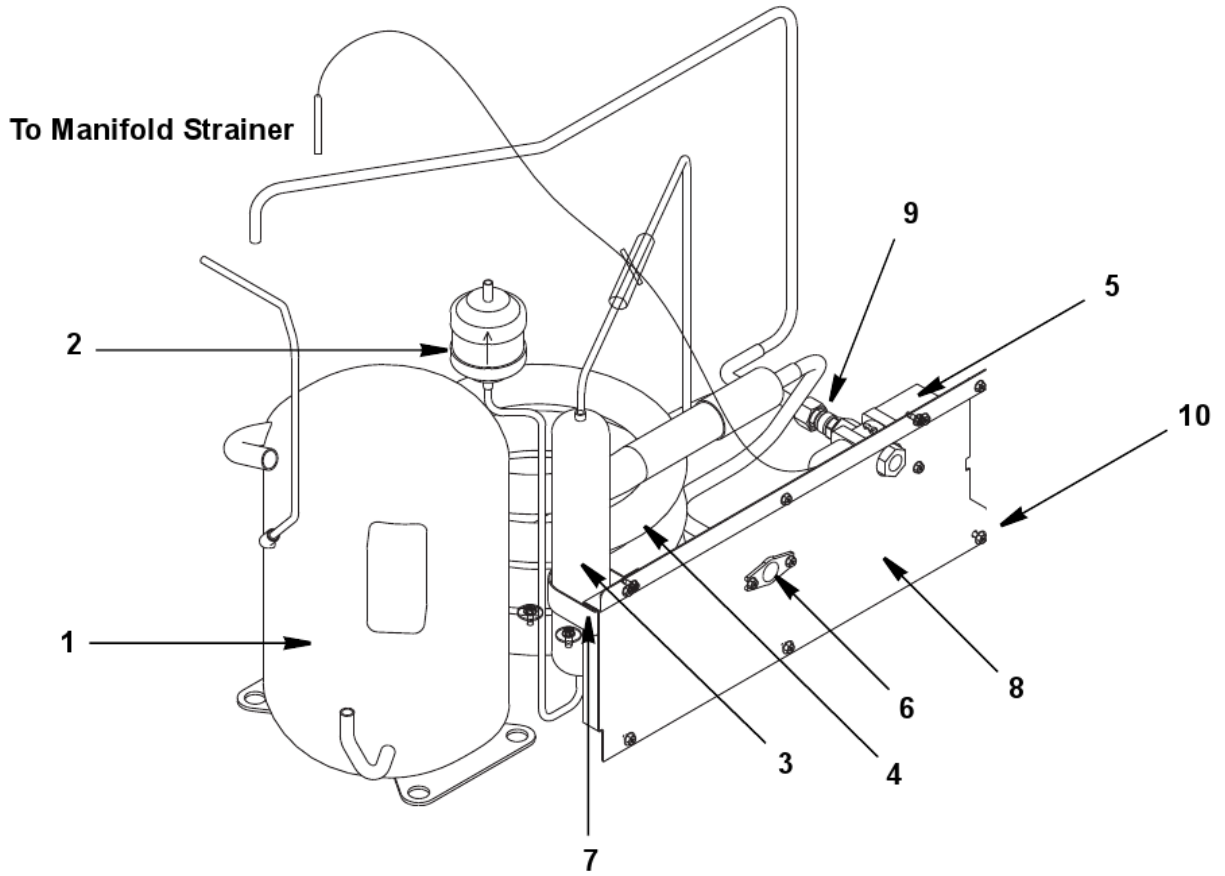
S0600 REFRIGERATION COMPARTMENT - AIR-COOLED COMPONENTS

#	PART #	DESCRIPTION	QTY	Note
1	See S0600 Common Components	Compressor		[1]
2	8252949	Air Condenser		
3		Fan Motor		
3a	2412939	Fan Motor 208-230V/50-60 Hz		
4	2416173	Fan Blade		
5	2001263	Fan Cycling Control - 200-250 psig		[2]
6	3005689	Air Filter		
7	8930259	Drier		
8	5650699	Air Filter Clip		
9	6065969	Fan Shroud		
10	6061869	Fan Motor Bracket		
11	5429139	Hexnut #8-32		
12	5545109	Lockwasher		
13	5573059	Mounting - Flatwasher		
14	5429559	Mounting - Rubber Wellnut		
15	5202069	Screw - #10-24 x 0.50" HEX		
16	5032389	Fan Bracket Mounting Screw		

PART NOTES:

- [1] - Refer to COMMON PARTS Page
- [2] - \pages from 200126_09.jpg" width=150 height=306>

S0600 REFRIGERATION COMPARTMENT - WATER-COOLED COMPONENTS



S0600, JC0895

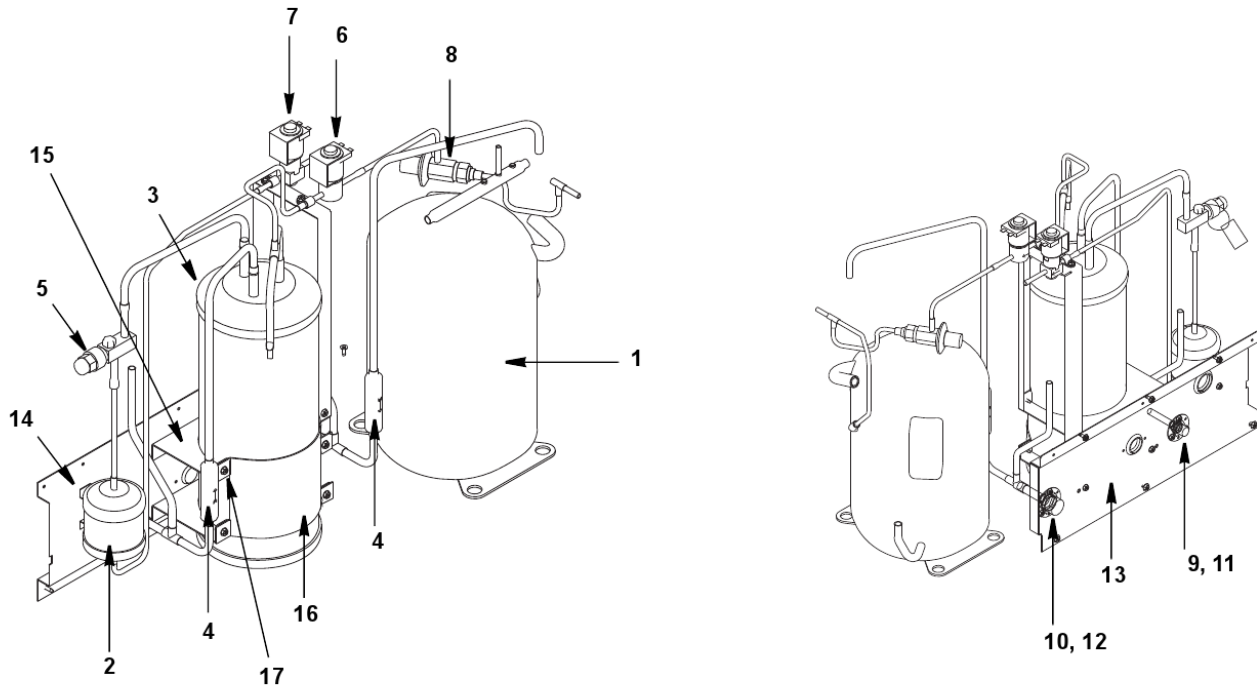
S0600 REFRIGERATION COMPARTMENT - WATER-COOLED COMPONENTS

#	PART #	DESCRIPTION	QTY	Note
1	See S0600 Common Components	Compressor		[1]
2	8930259	Drier		
3	00008892	Receiver		
4	8253039	Water-cooled Condenser		
5	8372069	Water Regulating Valve		
6	8706083	Female Wing Adapter - 0.50"		
7	6000541	Receiver Strap		
8	6061739	Back Coupling Panel - Water-cooled and Remote Air-cooled		
9	5002249	Elbow 1/2 MF x 3/8 MPT		
10	5202069	Screw - #10-24 x 0.50" HEX		
11	5573419	Washer		[2]
12	6058659	Base, Water Condenser/Receiver		

PART NOTES:

- [1] - Refer to COMMON PARTS Page
- [2] - mount water condenser

S0600 REFRIGERATION COMPARTMENT - REMOTE AIR-COOLED COMPONENTS



S0600, JC0895

S0600 REFRIGERATION COMPARTMENT - REMOTE AIR-COOLED COMPONENTS

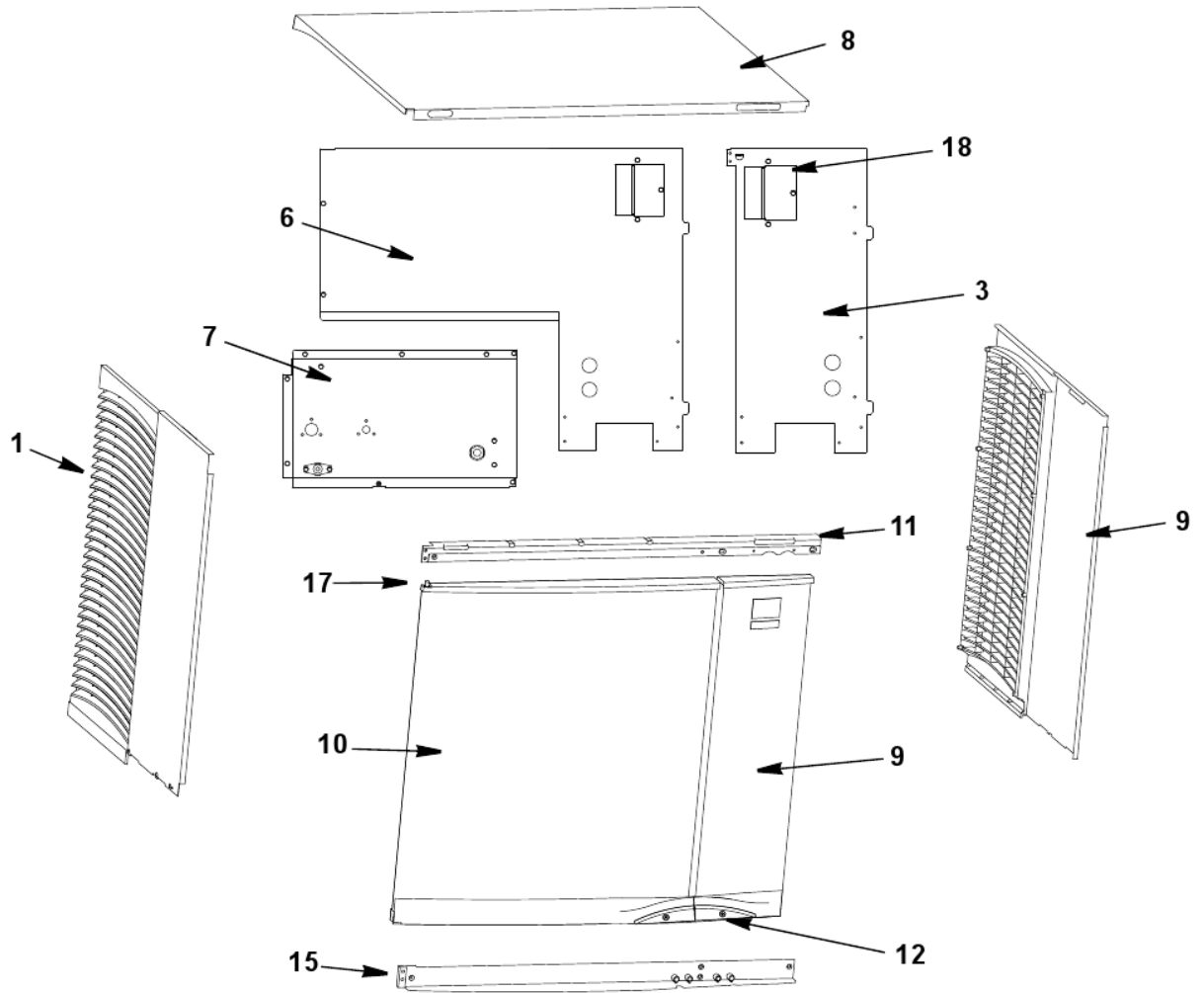
#	PART #	DESCRIPTION	QTY	Note
1	See S0600 Common Components	Compressor		[1]
2	8930279	Drier		
3	8250583	Receiver		
4	8373149	Magni-Check Valve - 0.375"		
5	8373169	Receiver Service Valve		
5a	5650759	Cap for Refrigeration Service Valve		
6		Harvest Pressure Regulating Solenoid Valve		
6a	7630061	Danfoss Solenoid Valve with Coil - 208-230V/50-60 Hz		
6b	000005157	Danfoss Solenoid Valve Coil Only - 230V/50-60 Hz		[2]
7		Liquid Line Solenoid (LLS) Valve		
7a	7630081	Danfoss Solenoid Valve 208-230V		
7b	000005157	Danfoss Solenoid Valve Coil Only - 230V/50-60 Hz		[2]
8	8367793	Harvest Pressure Regulating Valve		
9	8360343	Coupling - Male - 5/8-18		
10	8360353	Coupling - Male - 1-1/6-12		
11	8360053	Coupling Mounting Flange for 5/8-18		
12	8360063	Coupling Mounting Flange for 1-1/16-12		
13	6061739	Back Coupling Panel - Water-cooled and Remote Air-cooled		
14	5650619	Screw Mounting Base		
15	6063039	Receiver Mounting Bracket		
16	6063149	Receiver Mounting Strap		
17	5202069	Screw - #10-24 x 0.50" HEX		
18	6063049	Base		[3]

PART NOTES:

- [1] - Refer to COMMON PARTS
- [2] - \pages from 000005156_02.jpg" width=266 height=183>
- [3] - Receiver Mounting

S0600, JC0895

S0600 PANELS



S0600, JC0895

S0600 PANELS

#	PART #	DESCRIPTION	QTY	Note
1	6060539	Left Side Panel		
2	6060529	Right Side Panel		
		Air-Cooled Back Panels		
3	6065959	Back Panel with Electrical Connection Box, Air-cooled Models		
4	3005689	Air Filter		
5	6060779	Air Baffle		
		Water-Cooled Back Panels		
6	6066059	Back Panel with Electrical Connection Box		
7	6061739	Back Coupling Panel - Water-cooled and Remote Air-cooled Aluminum Front Top Support on machine		[1]
8	000006699	Top Cover		
9	6071661	Right Door		
10	6071651	Left Door		
11	000000295	Front Top Rail		
11a	5005379	Mounting Screw - #8-32 x 1" PHIL		
11b	5005099	Mounting Screw - #10-16 x 0.625" PHIL		
11c		Plastic Front Top Support on machine		[2]
12	5004899	Front Door Screw		
13		Left Door Endcaps		
13a	4015113	Left Door End Cap - Top		
13b	4015123	Left Door End Cap - Bottom		
14		Right Door Endcaps		
14a	4015143	Right Door End Cap - Top		
14b	4015153	Right Door Endcap - Bottom		
15	7602263	Bottom Door Frame		
15a	5005379	Mounting Screw - #8-32 x 1" PHIL		
15b	5202099	Screw - #10-24 x 0.50" PHIL		
16	6062369	Door Catch Bracket		
16a	5026249	Mounting Screw - #8-32 x 0.50" PHIL		
17	3005579	Left Door Pivot Leaf Hinge		[3]
17a	5005379	Mounting Screw - #8-32 x 1" PHIL		
18		Electrical Connection Box Cover		[4]
19	4004593	Sachet Holder		[5]
19a	5004799	Thumbscrew SS - #8-32 x 0.375"		
20	K00379	Top Air Discharge Kit Option		[6]
20a	000000480	Top Cover Only		
20b	6066751	Non-Louvered Side Panel - Left		
20c	6066761	Non-Louvered Side Panel - Right		
20d	5202099	Screw - #10-24 x 0.50" PHIL		
21	7112239	Cartoning		

S0600, JC0895

S0600 PANELS

#	PART #	DESCRIPTION	QTY	Note
---	--------	-------------	-----	------

PART NOTES:

- [1] - replace all
- [2] - replace as needed
- [3] - Top or Bottom
- [4] - Included in Back Panel Assembly
- [5] - Inside Left Door
- [6] - replaces standard top and side panels to discharge air out of top of machine

S0600, JC0895

JC0895 REMOTE CONDENSER

#	PART #	DESCRIPTION	QTY	Note
1	8850629	Air Condenser		
2	7629413	Fan Motor - 208-230V/50-60 Hz/1 Ph		
3	8504583	Fan Motor Run Capacitor		[1]
3		Fan Motor Run Capacitor		[2]
4	2416113	Fan Blade		
5	3400643	Fan Guard		
6	2415053	Rain Slinger		
7	000004070	Head Pressure Control Valve		
8	000008040	Terminal Block - 3 Pole		
9	8360343	Coupling - Male - 5/8-18		
10	8360353	Coupling - Male - 1-1/6-12		
11	K0129	Female Line Set Coupling Kit		
12	8360053	Coupling Mounting Flange for 5/8-18		
13	8360063	Coupling Mounting Flange for 1-1/16-12		
14	6017751	Top Cover		
15	6017741	Panel - Side		
16	6017731	Panel - Rear		
17	6017721	Panel - Front		
18	6017681	Fan Motor Mounting Bracket		
19	6017761	Electrical Box Cover		
20	5035659	Fan Motor Mounting Screw		
20a	5573099	Mounting - Flatwasher		
20b	5573139	Mounting - Lockwasher		
20c	5429759	Mounting - Hexnut		
21	5033459	Screw - 1/4-20 x 0.625"		
21a	5573049	Flatwasher		
21b	5545119	Mounting - Lockwasher		
21c	5429529	Mounting - Hexnut		
22	5121539	Panel/Condenser Mounting Screw - #8 x 0.50"		
22a	5544599	Panel/Condenser Mounting Lockwasher		
23	5202069	Screw - #10-24 x 0.50" HEX		
24	7626843	Valve Cores		
25	6017691	Legs		
26	7108369	Cartoning		

PART NOTES:

- [1] - Emerson
- [2] - Magnatec No Longer Available