



Manitowoc
Foodservice
Parts Manual

For more Parts Information:

<https://manitowocfsg.sysonline.com/Default.aspx>

TABLE OF CONTENTS

Manitowoc Foodservice [Updated: Sep. 30, 2013]

Manitowoc - Ice & Related

Parts Catalog

Ice Machine

S Series

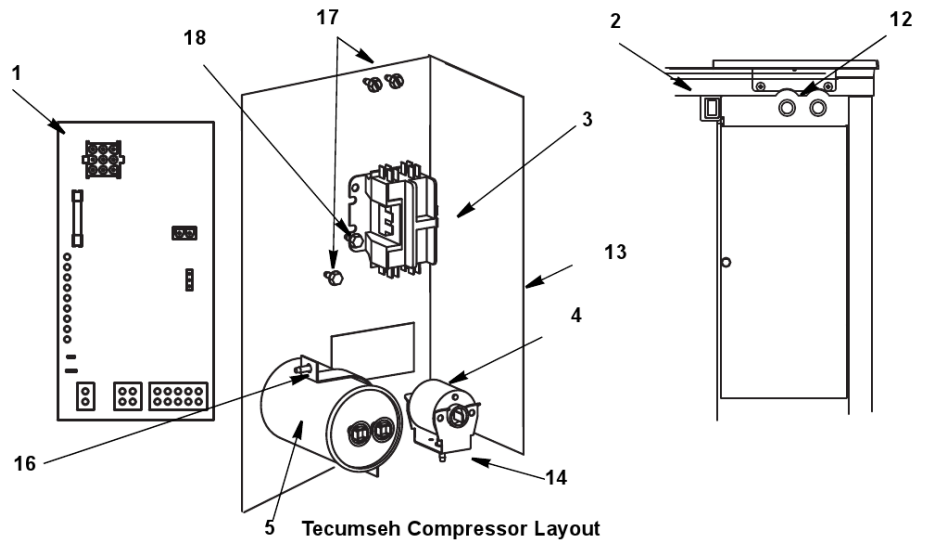
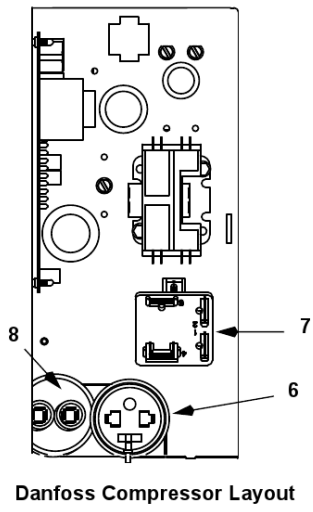
S Model - Air, Water & Remote

S0500, JC0495

S0500 Control Box	1
S0500 Evaporator Compartment	4
S0500 Refrigeration Compartment - Common Components	6
S0500 Refrigeration Compartment - Air-cooled Components	10
S0500 Refrigeration Compartment - Water-cooled Components	12
S0500 Refrigeration Compartment - Remote Air-cooled Components	14
S0500 Panels	16
JC0495 Remote Condenser	19

S0500, JC0495

S0500 CONTROL BOX



S0500, JC0495

S0500 CONTROL BOX

#	PART #	DESCRIPTION	QTY	Note
		NOTE		[1]
1	2006199	Control Board		
1a	000008240	7 Amp Fuse - Mounted on Control Board		
2	2007939	Toggle Switch		
2a	2008079	Toggle Switch Wiring Harness		
2b	4011639	Toggle Switch Box		
3		Contactator		
3a	2006589	Contactator - 115V/60 Hz/1 Ph		
3b	2006599	Contactator - 230V/50-60 Hz/1 Ph		
4	8505003	PTCR Compressor Starter		[2]
5		Run Capacitor - Tecumseh Compressor - See Note for Serial Break		[3]
5a	2010143	Run Capacitor - 115V/60 Hz/1 Ph		[3]
5b	8504003	Run Capacitor - 208-230V/50-60 Hz/1 Ph		[3]
6		Start Capacitor - Danfoss Compressor - See Note for Serial Break		[4]
6a	8505773	Start Capacitor - 115V/60 Hz/1 Ph		[4]
6b	000000022	Start Capacitor - 230V/50-60 Hz/1 Ph		[4]
7		Start Relay - Danfoss Compressor - See Note for Serial Break		[4]
7a	2002053	Start Potential Relay - 115V/60 Hz/1 Ph		[4]
7b	2007633	Start Potential Relay - 230V/50-60 Hz/1 Ph		[5]
7c	2007929	Start Potential Relay - 208-230V/50-60 Hz/1 Ph		[6]
8		Run Capacitor - Danfoss Compressor - See Note for Serial Break		[4]
8a	2010143	Run Capacitor - 115V/60 Hz/1 Ph		[4]
8b	2009493	Run Capacitor - 208-230V/50-60 Hz/1 Ph		[4]
9		Start Capacitor - Danfoss Compressor		[7]
9a	8505773	Start Capacitor - 115V/60 Hz/1 Ph		[7]
9b	8503833	Start Capacitor - 208-230V/50-60 Hz/1 Ph		[7]
10		Start Potential Relay - Danfoss Compressor		[7]
10a	2002053	Start Potential Relay - 115V/60 Hz/1 Ph		[7]
10b	2007929	Start Potential Relay - 208-230V/50-60 Hz/1 Ph		[8]
10c	2007929	Start Potential Relay - 208-230V/50-60 Hz/1 Ph		[9]
11		Run Capacitor - Danfoss Compressor		[7]
11a	2010143	Run Capacitor - 115V/60 Hz/1 Ph		[7]
11b	8504003	Run Capacitor - 208-230V/50-60 Hz/1 Ph		[7]
12	8373263	Refrigeration Service Valve Assembly		
13	7602143	Control Box		
13a	7602153	Control Box Cover		[10]
14	8505023	PTCR Mounting Bracket		
15	4302253	Control Board Mounting Supports		
16	6024951	Capacitor Bracket		
17	5202169	Screw - #10-24 x 0.50" Ground		
17a	5573209	Star Washer		
18	5202069	Screw - #10-24 x 0.50" HEX		

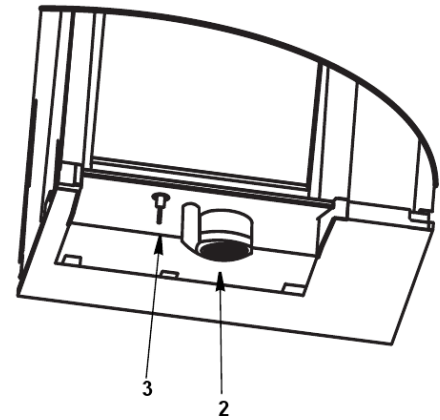
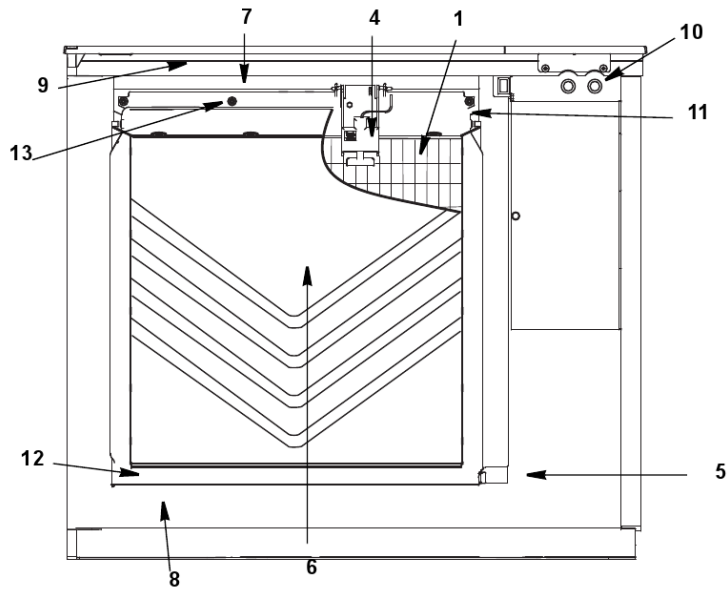
S0500 CONTROL BOX

#	PART #	DESCRIPTION	QTY	Note
19		Tecumseh Compressor - Control Box Wiring Harness		[3]
19a	2007309	Wring Harness - Control Box - 115V/60 Hz/1 Ph		
19b	2007349	Control Box Wiring Harness - 230V/60 Hz/1 Ph		
19c	2007359	Control Box Wiring Harness - 230V/50 Hz/1 Ph		
19d	2008383	Control Box Wiring Harness - F2 Remote		
20		Danfoss Compressor - Control Box Wiring Harness		[11]
20a	2008273	Control Box Wiring Harness - 115V/60 Hz/1 Ph		
20b	2008283	Control Box Wiring Harness - 230V/60 Hz/1 Ph		
20c	2008383	Control Box Wiring Harness - F2 Remote		

PART NOTES:

- [1] - Replace a Tecumseh compressor/start components with a Tecumseh compressor/start components and a Danfoss compressor/start components with a Danfoss compressor/start components. DO NOT INTERCHANGE COMPRESSORS OR START COMPONENTS.
- [2] - Tecumseh Compressor Only
- [3] - Before Serial Number 110074051
- [4] - Serial Number 110074051 through 110684316
- [5] - 230V/60 Hz/1 PhSerial Number 110074051 through 110684316
- [6] - 220-240V/50 Hz/1 PhSerial Number 110074051 through 110684316
- [7] - After Serial Number 110684316
- [8] - 230V/60 Hz/1 PhAfter Serial Number 110684316
- [9] - 220-240V/50 Hz/1 PhAfter Serial Number 110684316
- [10] - Not shown
- [11] - After Serial Number 110074051

S0500 EVAPORATOR COMPARTMENT



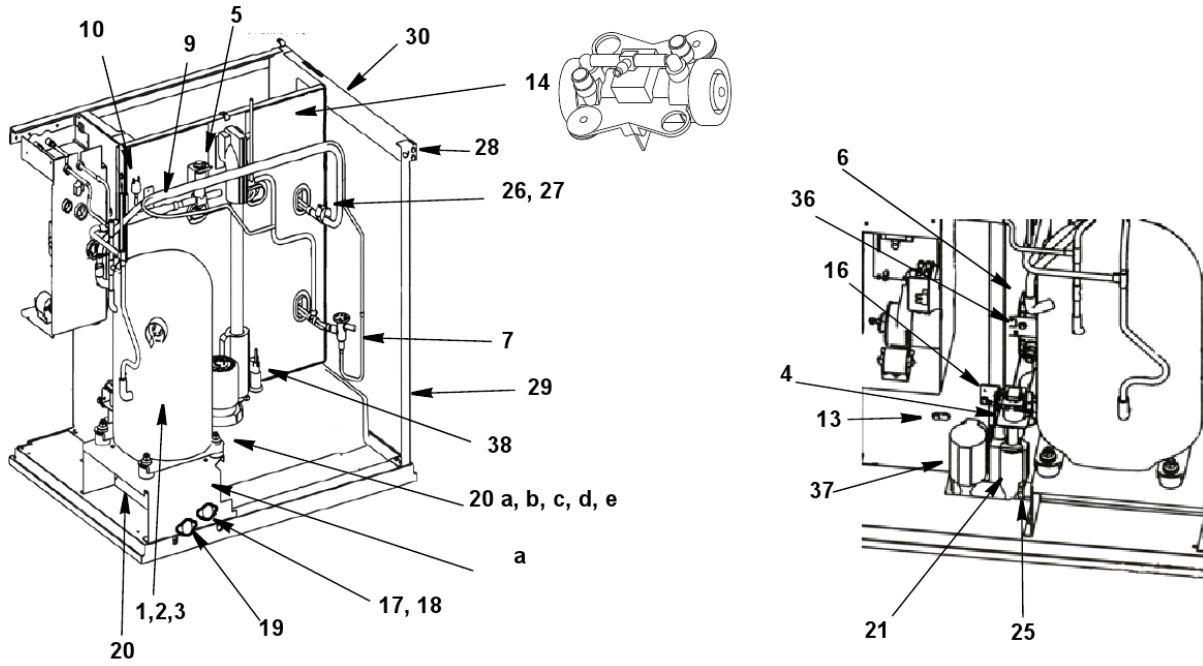
S0500 EVAPORATOR COMPARTMENT

#	PART #	DESCRIPTION	QTY	Note
1		Evaporator Assembly		
1a	7602839	Evaporator - Dice Cube		
1b	7602849	Evaporator - Half Dice Cube		
1c	7602859	Evaporator - Regular Cube		
2		Water Pump		
2a	8251129	Water Pump - 115V/60 Hz		
2b	2007399	Water Pump - 230V/60 Hz		
2c	8252109	Water Pump - 230V/50-60 Hz		[1]
3	2006549	Water Level Probe		
3a	2007989	Wire - Control Box to Probe		
4	2008029	Ice Thickness Control Probe		
5	000007888	Magnetic Bin Switch		
6	4010979	Water Curtain		
7	7602193	Water Distribution Tube - 30" Models		
7a	5004649	O-Rings		[2]
8	4003609	Water Trough		[3]
9	4008469	Evaporator Top Filler Panel		
9a	6063339	Bracket - Top Filler Panel		
9b	5202093	Screw - #10-24 x 0.50"		[4]
10	8373263	Refrigeration Service Valve Assembly		
11	7602203	Evaporator Top Frame Assembly		
12	7602213	Water Diverter - 30" Models		
12a	5305123	Thumbscrew SS - #8-32 x 0.44"		
13	5004799	Thumbscrew SS - #8-32 x 0.375"		[5]
13a	5004629	O-Ring - 0.125" ID		
14	5004619	Screw - #12-16 x 0.687"		[6]
15	5004659	Water Pump Base O-Ring - 4.00" ID		
16	5004679	Water Pump Outlet O-Ring - 0.875" ID		
17	000001382	Vinyl Tubing 0.625" ID		[7]
17a	6038831	Insulation 0.88 ID X 0.25W X 13.50L		

PART NOTES:

- [1] - 50 Hz
- [2] - Back of Distribution Assembly
- [3] - \water trough.jpg" width=313 height=169>
- [4] - Bracket Screw - Top Filler Panel
- [5] - Water Distribution Tube Mounting
- [6] - Used to Mount Evaporator
- [7] - dump valve to drain adapter

S0500 REFRIGERATION COMPARTMENT - COMMON COMPONENTS



S0500, JC0495

S0500 REFRIGERATION COMPARTMENT - COMMON COMPONENTS

#	PART #	DESCRIPTION	QTY	Note
		Do not interchange compressors. See Notes for Breaks.		[1]
1		Tecumseh Compressor		[2]
1a	7628103	Compressor - Tecumseh - 115V/60 Hz/1 Ph		[2]
1b	7628123	Compressor - Tecumseh - 208-230V/60 Hz/1 Ph		[2]
1c	7628113	Compressor - Tecumseh - 230V/50 Hz/1 Ph		[2]
2		Danfoss Compressor		[3]
2a	7602943	Compressor - Danfoss SC18MLX.3 - 115V/60 Hz/1 Ph		[3]
2b	7602953	Compressor - Danfoss SC18MLX.3 - 208-230V/60 Hz/1 Ph		[3]
2c	7602963	Compressor - Danfoss SC18MX.3 - 208-230V/50 Hz/1 Ph		[3]
3		Danfoss Compressor		[4]
3a	000003919	Compressor - Danfoss SC15MLX.2 - 115V/60 Hz/1 Ph		[4]
3b	000003920	Compressor - Danfoss SC15MLX.2 - 208-230V/50-60 Hz/1 Ph		[4]
3c	8251403	Overload - 115V/60 Hz/1 Ph		[4]
4		Water Dump Valve		
4a	000001767	Water Dump Valve - 115V/60 Hz		
4b	000001768	Water Dump Valve - 208-230V/50-60 Hz		
5		Harvest Valve Including Electrical Coil		
5a	7630021	Solenoid Valve 115V		
5b	7630081	Solenoid Valve 208-230V		
		Harvest Valve Coil Only		
5c	000005156	Danfoss Solenoid Valve Coil Only - 115V/60 Hz		[5]
5d	000005157	Danfoss Solenoid Valve Coil Only - 230V/50-60 Hz		[6]
6		Water Inlet Valve with Coil		
6a	000007965	Water Inlet Valve - 115V/60 Hz/1 Ph		
6b	000007966	Water Inlet Valve - 208-230V/50-60 Hz		
		Expansion Valves - See Note for Usage		
7	7602869	Expansion Valve		[7]
7a	4000363	Valve Insulation Boot - Body		
7b	4007203	Valve Insulation Boot - Bulb		[8]
8	7601583	Expansion Valve		[9]
8a	4000363	Valve Insulation Boot - Body		
8b	4007203	Valve Insulation Boot - Bulb		[8]
9	000008364	Manifold Strainer		
10	2001243	High Pressure Cut-out Control		
11		Electrical Box on Rear of Ice Machine		
11a		Electrical Box		[10]
11b	2006143	Terminal Block - 50 Hz - 3 Pole		
11c	5202169	Screw - #10-24 x 0.50" Ground		
12		Compressor Compartment Wiring Harness		
12a	2007319	Compressor Compartment Wiring Harness - Air-cooled		
12b	2007329	Compressor Compartment Wiring Harness - Water-cooled		
12c	2007339	Compressor Compartment Wiring Harness - Remote Air-cooled		

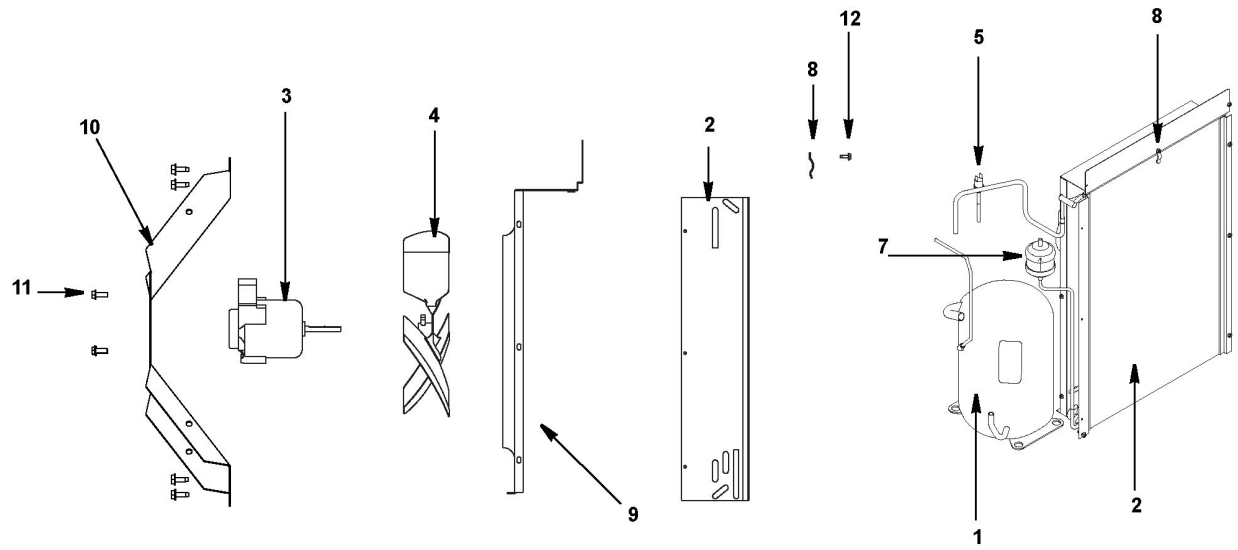
S0500 REFRIGERATION COMPARTMENT - COMMON COMPONENTS

#	PART #	DESCRIPTION	QTY	Note
13	00007888	Magnetic Bin Switch		
14		Air Assist Pump		
14a	2009343	Air Assist Pump - 115V		
14b	2009353	Air Assist Pump - 230V		
14c	4011739	Air Manifold		
14d	00006489	Air Assist Bracket		
15		Air Assist Pump - Wiring Harness		
15a	00002327	Compressor Compartment Wiring Harness - Air-cooled		
15b	00002328	Compressor Compartment Wiring Harness - Water-cooled		
15c	00002329	Compressor Compartment Wiring Harness - Remote Air-cooled		
16	6058459	Water Dump Valve Mounting Bracket		
17	8706093	Female Wing Adapter - 0.375"		
18	1360961	Male Connector		
19	8706083	Female Wing Adapter - 0.50"		
20	4420383	Clear Tubing - 0.625" ID		[11]
21	4420383	Clear Tubing - 0.625" ID		[12]
22		Tecumseh Compressor Mounting		
22a	6061709	Compressor Mounting Base		
22b	8503069	Mounting - Rubber Grommet		
22c	8503949	Mounting - Sleeve		
22d	5004819	Compressor Mounting - Bolt		
22e	5004829	Compressor Mounting - Nut		
23		Danfoss Compressor Mounting		
23a	6061709	Compressor Mounting Base		
b23b	8503069	Mounting - Rubber Grommet		
23c	8503949	Mounting - Sleeve		
23d	5004819	Compressor Mounting - Bolt		
23e	5004829	Compressor Mounting - Nut		
24	2008559	Compressor Wiring Harness		
25	5650709	Snap Clamp - 0.799"/0.899" ID		
26	5650529	Clamp - Expansion Valve Bulb		
27	3000833	Strap - Expansion Valve Bulb - 0.375"		
28	5202069	Screw - #10-24 x 0.50" HEX		
29	6062931	Left Corner Post		
30	6068649	Left Top Channel		
31	6062921	Right Corner Post		
32	6062579	Right Top Channel		
33	000003405	Insulated Tube		[13]
33a	5650603	Snap Clamp - 1.0" ID		
33b	5650703	Snap Clamp - 0.799"/0.899" ID		
34	4010439	Tubing - Water Inlet Valve		[14]
35	1360989	Connector - Water Inlet Valve		
36	6058459	Water Dump Valve Mounting Bracket		

S0500 REFRIGERATION COMPARTMENT - COMMON COMPONENTS

#	PART #	DESCRIPTION	QTY	Note
PART NOTES:				
[1]		- Replace a Tecumseh compressor/start components with a Tecumseh compressor/start components and a Danfoss compressor/start components with a Danfoss compressor/start components. DO NOT INTERCHANGE COMPRESSORS OR START COMPONENTS.		
[2]		- Before Serial Number 110074051 Tecumseh Compressors use a PTCR for this application. Start Capacitors & Start Relays are included with the compressor assembly but are not needed.		
[3]		- Serial Number 110074051 through 110684316		
[4]		- After Serial Number 110684316		
[5]		- \pages from 000005156_02.jpg" width=280 height=256>		
[6]		- \pages from 000005156_02.jpg" width=266 height=183>		
[7]		- use with Tecumseh Compressor		
[8]		- \pages from 400720_08.jpg" width=923 height=583>		
[9]		- use with Danfoss Compressor		
[10]		- Included in Back Panel Assembly		
[11]		- Water Drain Tubing - 12 inches		
[12]		- Dump Valve Tubing - 3.25 inches		
[13]		- vinyl tubing from distribution tube to water pump & dump valve		
[14]		- \pages from 401043_05.jpg" width=1797 height=2238>		
[15]		- includes water diverter, vinyl tubing & insulation		
[16]		- mounts Water Level Probe Holder		

S0500 REFRIGERATION COMPARTMENT - AIR-COOLED COMPONENTS



S0500, JC0495

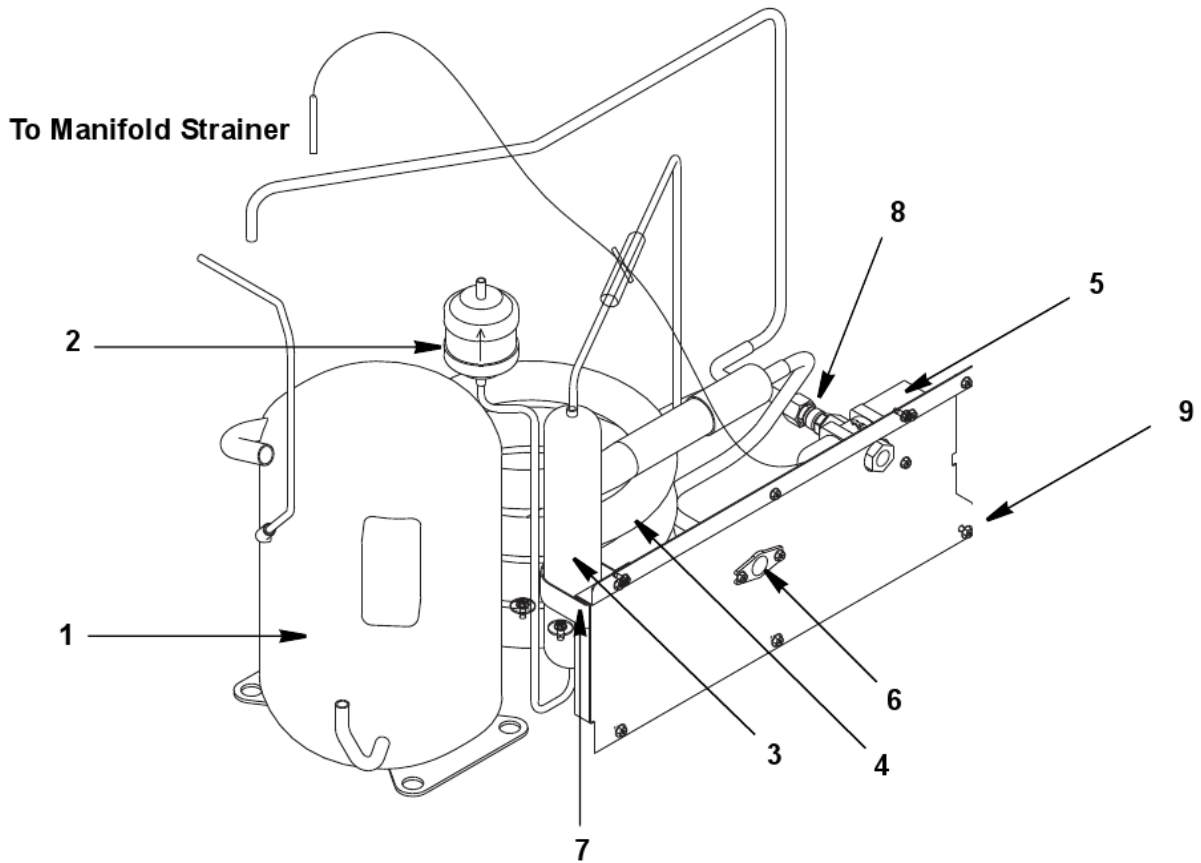
S0500 REFRIGERATION COMPARTMENT - AIR-COOLED COMPONENTS

#	PART #	DESCRIPTION	QTY	Note
1	See S0500 Common Components	Compressor		[1]
2	8252133	Air Condenser		
3		Fan Motor		
3a	2412929	Fan Motor 115V/60 Hz/1 Ph		
3b	2412939	Fan Motor 208-230V/50-60 Hz		
4	2416203	Fan Blade		
5	2001263	Fan Cycling Control - 200-250 psig		[2]
6	3005569	Air Filter		
7	8930259	Drier		
8	5650699	Air Filter Clip		
9	6056409	Fan Shroud		
10	6061869	Fan Motor Bracket		
11	5032389	Fan Bracket Mounting Screw		
12	5545109	Lockwasher		
13	5573059	Mounting - Flatwasher		
14	5429559	Mounting - Rubber Wellnut		
15	5032389	Fan Bracket Mounting Screw		

PART NOTES:

- [1] - Refer to COMMON PARTS Page
- [2] - \pages from 200126_09.jpg" width=150 height=306>

S0500 REFRIGERATION COMPARTMENT - WATER-COOLED COMPONENTS



S0500, JC0495

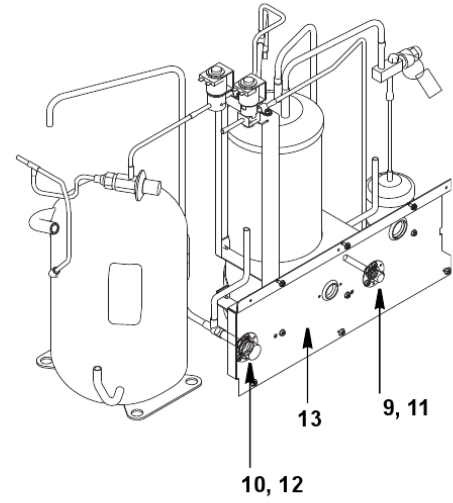
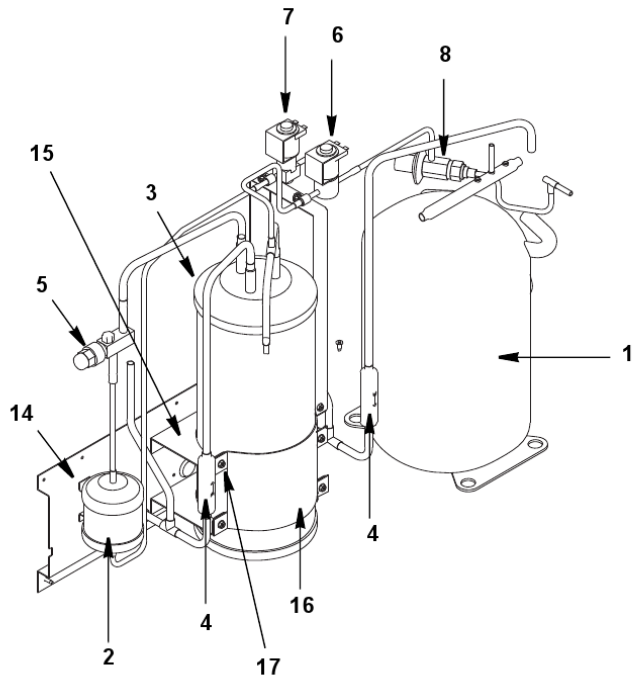
S0500 REFRIGERATION COMPARTMENT - WATER-COOLED COMPONENTS

#	PART #	DESCRIPTION	QTY	Note
1	See S0500 Common Components	Compressor		[1]
2	8930259	Drier		
3	000008892	Receiver		
4	8865333	Water-cooled Condenser		
5	8372069	Water Regulating Valve		
5a	000007553	High Pressure Water Regulating Valve		
6	8706083	Female Wing Adapter - 0.50"		
7	6000541	Receiver Strap		
8	5002249	Elbow 1/2 MF x 3/8 MPT		
9	5202069	Screw - #10-24 x 0.50" HEX		
10	5573419	Washer		[2]
11	6058659	Base, Water Condenser/Receiver		

PART NOTES:

- [1] - Refer to COMMON PARTS Page
- [2] - mount water condenser

S0500 REFRIGERATION COMPARTMENT - REMOTE AIR-COOLED COMPONENTS



S0500, JC0495

S0500 REFRIGERATION COMPARTMENT - REMOTE AIR-COOLED COMPONENTS

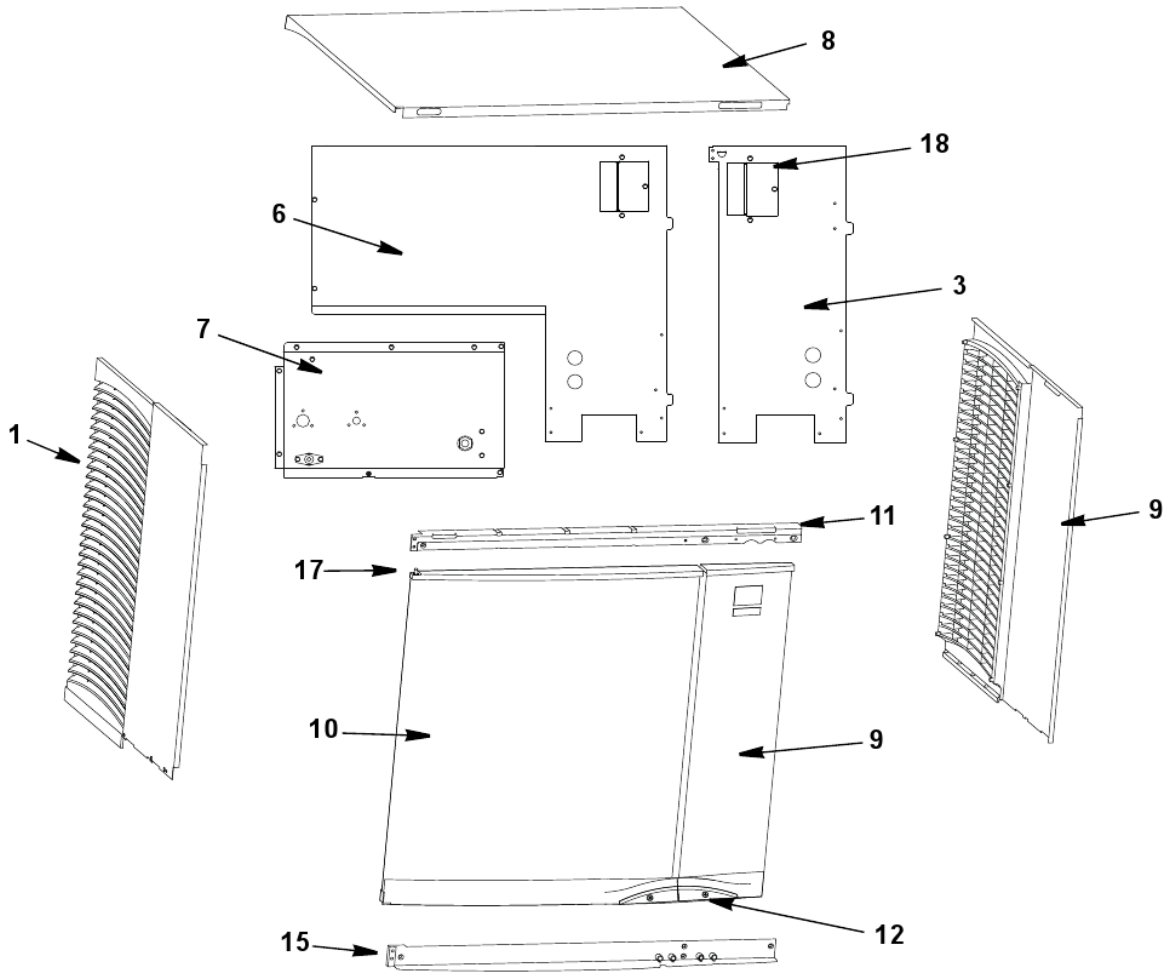
#	PART #	DESCRIPTION	QTY	Note
1	See S0500 Common Components	Compressor		[1]
2	8930279	Drier		
3	8250583	Receiver		
4	8373149	Magni-Check Valve - 0.375"		
5	8373169	Receiver Service Valve		
5a	5650759	Cap for Refrigeration Service Valve		
6		Harvest Pressure Regulating Solenoid Valve		
6a	7630001	Danfoss Solenoid Valve with Electrical Coil - 115V/60 Hz		
6b	000005156	Danfoss Solenoid Valve Coil Only - 115V/60 Hz		[2]
6c	7630061	Danfoss Solenoid Valve with Coil - 208-230V/50-60 Hz		
6d	000005157	Danfoss Solenoid Valve Coil Only - 230V/50-60 Hz		[3]
7		Liquid Line Solenoid Valve		
7a	7630001	Danfoss Solenoid Valve with Electrical Coil - 115V/60 Hz		
7b	000005156	Danfoss Solenoid Valve Coil Only - 115V/60 Hz		[2]
7c	7630081	Danfoss Solenoid Valve 208-230V		
7d	000005157	Danfoss Solenoid Valve Coil Only - 230V/50-60 Hz		[3]
8	8367793	Harvest Pressure Regulating Valve		
9	8360343	Coupling - Male - 5/8-18		
10	8360353	Coupling - Male - 1-1/6-12		
11	8360053	Coupling Mounting Flange for 5/8-18		
12	8360063	Coupling Mounting Flange for 1-1/16-12		
13	6061739	Back Coupling Panel - Water-cooled and Remote Air-cooled		
14	5650619	Screw Mounting Base		
15	6063039	Receiver Mounting Bracket		
16	6063149	Receiver Mounting Strap		
17	5202069	Screw - #10-24 x 0.50" HEX		
18	6063049	Base		[4]

PART NOTES:

- [1] - Refer to COMMON PARTS
- [2] - \pages from 000005156_02.jpg" width=280 height=256>
- [3] - \pages from 000005156_02.jpg" width=266 height=183>
- [4] - Receiver Mounting

S0500, JC0495

S0500 PANELS



S0500, JC0495

S0500 PANELS

#	PART #	DESCRIPTION	QTY	Note
1	6060531	Left Side Panel		
2	6060521	Right Side Panel		
		Air-Cooled Back Panels		
3	6062969	Back Panel with Electrical Connection Box - Air-cooled Models		
4	3005563	Air Filter		
5	6060779	Air Baffle		
		Water-Cooled & Remote Air-Cooled Back Panels		
6	6066059	Back Panel with Electrical Connection Box		
7	6061739	Back Coupling Panel - Water-cooled and Remote Air-cooled Aluminum Front Top Support on machine		[1]
8	000006699	Top Cover		
9	6071661	Right Door		
10	6071651	Left Door		
11	000000295	Front Top Rail		
11a	5005379	Mounting Screw - #8-32 x 1" PHIL		
11b	5005099	Mounting Screw - #10-16 x 0.625" PHIL		
		Plastic Front Top Support on machine		[2]
8	000006699	Top Cover		
9	6071661	Right Door		
10	6071651	Left Door		
11	000000295	Front Top Rail		
11a	5005379	Mounting Screw - #8-32 x 1" PHIL		
11b	5005099	Mounting Screw - #10-16 x 0.625" PHIL		
12	5004899	Front Door Screw		
13		Left Door Endcaps		
13a	4015113	Left Door End Cap - Top		
13b	4015123	Left Door End Cap - Bottom		
14		Right Door Endcaps		
14a	4015143	Right Door End Cap - Top		
14b	4015153	Right Door Endcap - Bottom		
15	7602263	Bottom Door Frame		
15a	5005379	Mounting Screw - #8-32 x 1" PHIL		
15b	5202069	Screw - #10-24 x 0.50" HEX		
16	6062369	Door Catch Bracket		
16a	5026249	Mounting Screw - #8-32 x 0.50" PHIL		
17	3005579	Left Door Pivot Leaf Hinge		[3]
17a	5005379	Mounting Screw - #8-32 x 1" PHIL		
18		Electrical Connection Box Cover		[4]
19	4004593	Sachet Holder		[5]
19a	5004799	Thumbscrew SS - #8-32 x 0.375"		
20	K00379	Top Air Discharge Kit Option		[6]
20a	000000480	Top Cover Only		

S0500, JC0495

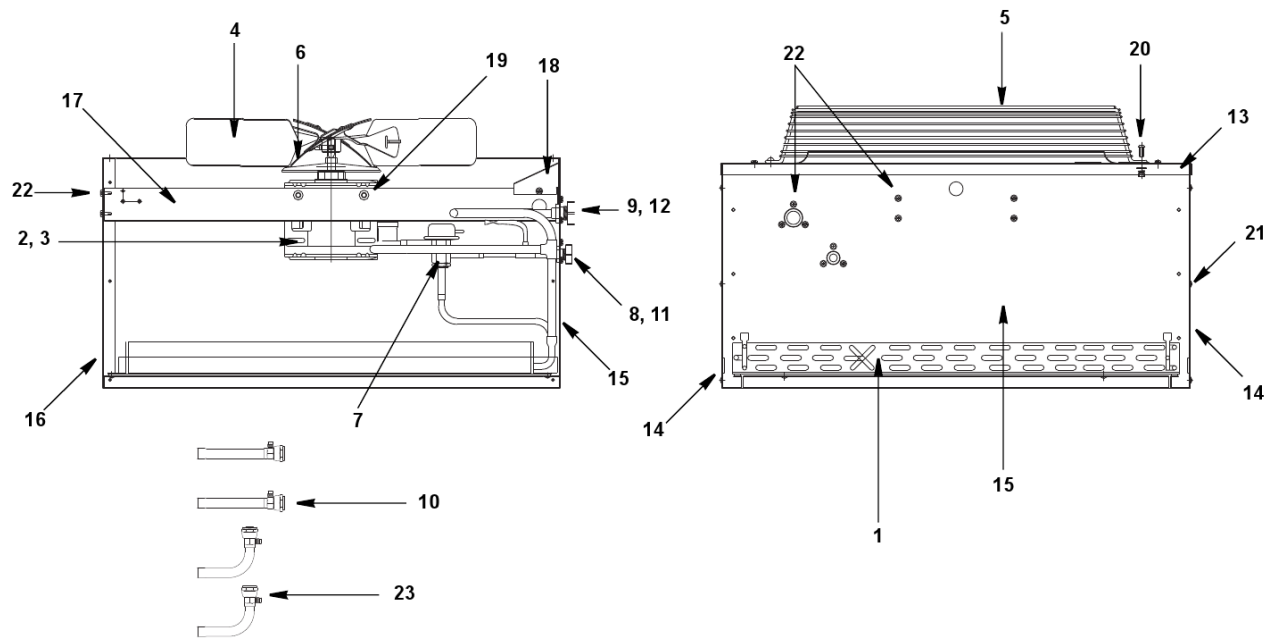
S0500 PANELS

#	PART #	DESCRIPTION	QTY	Note
20b	6066751	Non-Louvered Side Panel - Left		
20c	6066761	Non-Louvered Side Panel - Right		
20d	5202099	Screw - #10-24 x 0.50" PHIL		
21	7112239	Cartoning		

PART NOTES:

- [1] - replace all
- [2] - replace as needed
- [3] - Top or Bottom
- [4] - Included in Back Panel Assembly
- [5] - Inside Left Door
- [6] - replaces standard top and side panels to discharge air out of top of machine

JC0495 REMOTE CONDENSER



S0500, JC0495

JC0495 REMOTE CONDENSER

#	PART #	DESCRIPTION	QTY	Note
1	8850639	Air Condenser		
2	7629423	Fan Motor - 115V/60 Hz/1 Ph		
3		Fan Motor Run Capacitor		[1]
4	2416113	Fan Blade		
5	3400643	Fan Guard		
6	2415053	Rain Slinger		
7	000004070	Head Pressure Control Valve		
8	8360343	Coupling - Male - 5/8-18		
9	8360353	Coupling - Male - 1-1/6-12		
10	K0129	Female Line Set Coupling Kit		[2]
11	8360053	Coupling Mounting Flange for 5/8-18		
12	8360063	Coupling Mounting Flange for 1-1/16-12		
13	6017751	Top Cover		
14	6017741	Panel - Side		
15	6017731	Panel - Rear		
16	6017721	Panel - Front		
17	6017681	Fan Motor Mounting Bracket		
18	6017761	Electrical Box Cover		
19	5035659	Fan Motor Mounting Screw		
19a	5573099	Mounting - Flatwasher		
19b	5573139	Mounting - Lockwasher		
19c	5429759	Mounting - Hexnut		
20	5033459	Screw - 1/4-20 x 0.625"		
20a	5573049	Flatwasher		
20b	5545119	Mounting - Lockwasher		
20c	5429529	Mounting - Hexnut		
21	5121539	Panel/Condenser Mounting Screw - #8 x 0.50"		
21a	5544599	Panel/Condenser Mounting Lockwasher		
22	5202069	Screw - #10-24 x 0.50" HEX		
23	7626843	Valve Cores		
24	7108369	Cartoning		

PART NOTES:

- [1] - No Longer Available
- [2] - Sold as Finished Goods Sales Kit