



Manitowoc
Foodservice
Parts Manual

For more Parts Information:

<https://manitowocfsg.sysonline.com/Default.aspx>

TABLE OF CONTENTS

Manitowoc Foodservice [Updated: Sep. 30, 2013]

Manitowoc - Ice & Related

Parts Catalog

Ice Machine

S Series

S Model - Air, Water & Remote

S0300

S0300 Control Box Components 1

S0300 Evaporator Compartment 3

S0300 Refrigeration Compartment - Common Components 5

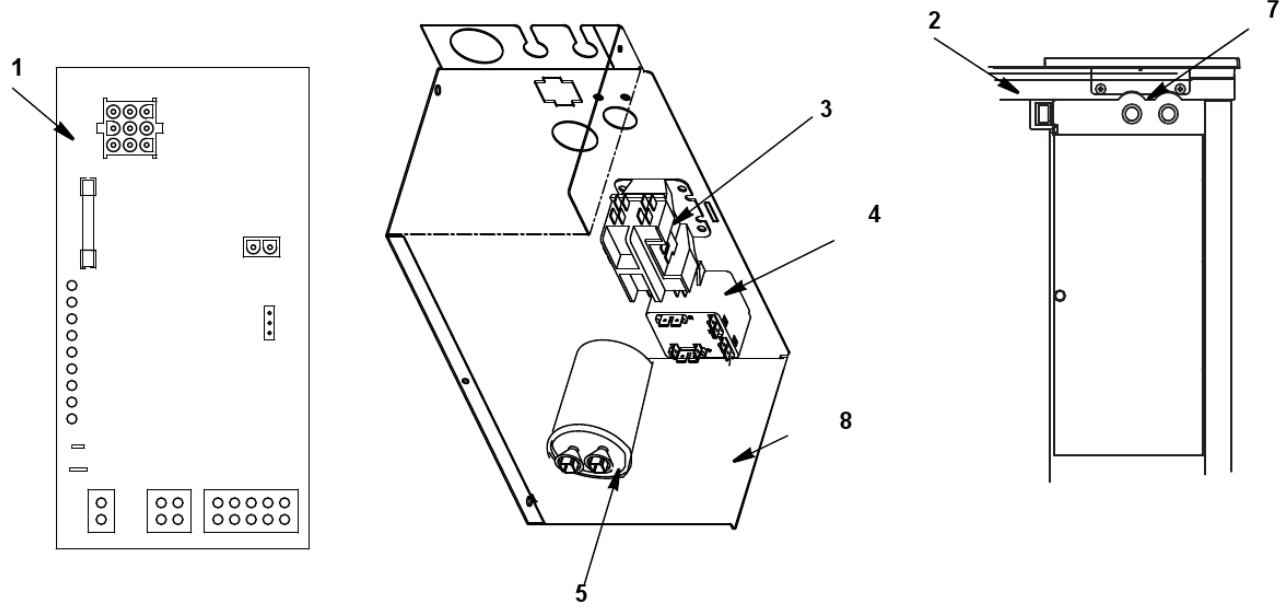
S0300 Refrigeration Compartment - Air-cooled Components 8

S0300 Refrigeration Compartment - Water-cooled Components 10

S0300 Panels 12

S0300

S0300 CONTROL BOX COMPONENTS



S0300

S0300 CONTROL BOX COMPONENTS

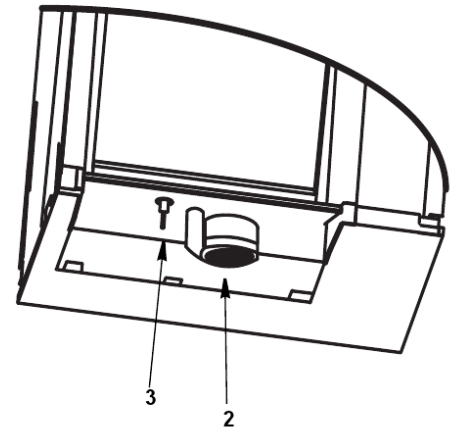
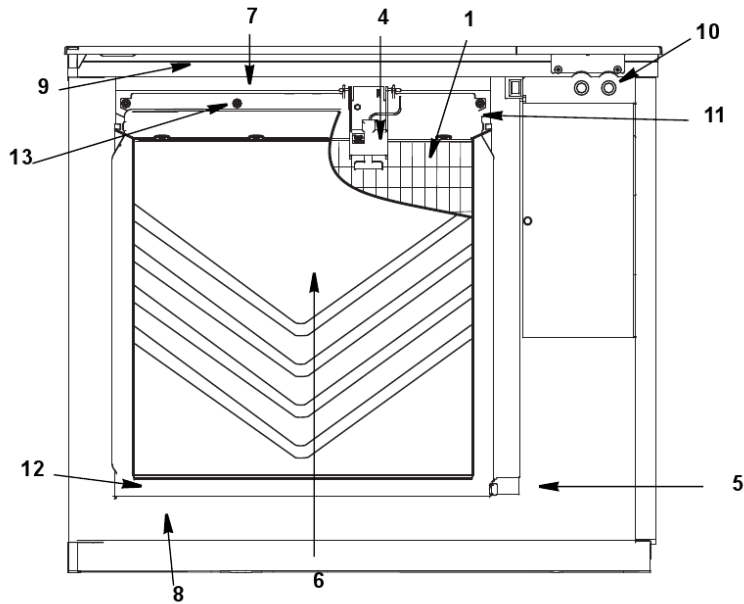
#	PART #	DESCRIPTION	QTY	Note
1	2006199	Control Board		
1a	000008240	7 Amp Fuse - Mounted on Control Board		
2	2007939	Toggle Switch		
2a	2008079	Toggle Switch Wiring Harness		
2b	4011639	Toggle Switch Box		
3		Contactors		
3a	2006589	Contactors - 115V/60 Hz/1 Ph		
3b	2006599	Contactors - 230V/50-60 Hz/1 Ph		
4		Start Potential Relay - See Note for Serial Break		[1]
4a	000002671	Start Potential Relay - 115V/60 Hz/1 Ph		[1]
4b	2002053	Start Potential Relay - 115V/60 Hz/1 Ph		[2]
4c	2007929	Start Potential Relay - 208-230V/50-60 Hz/1 Ph		[1]
4d	2002103	Start Potential Relay - 230V/50-60 Hz/1 Ph		[2]
5		Start Capacitor - See Note for Serial Break		[1]
5a	2000483	Start Capacitor - 115V/60 Hz/1 Ph		[1]
5b	8505773	Start Capacitor - 115V/60 Hz/1 Ph		[2]
5c	000000022	Start Capacitor - 230V/50-60 Hz/1 Ph		[1]
5d	8503723	Start Capacitor - 208-230V/50-60 Hz/1 Ph		[2]
6		Compressor Run Capacitor after serial number 110704351		[1]
6a	2010143	Run Capacitor - 115V/60 Hz/1 Ph		[1]
6b	2009493	Run Capacitor - 208-230V/50-60 Hz/1 Ph		[1]
7	8373263	Refrigeration Service Valve Assembly		
8	7602143	Control Box		
8a	7602153	Control Box Cover		
9	5004129	Screw - #6 x 0.5"		
10	4302253	Control Board Mounting Supports		
11		Capacitor Mounting - See Note for Serial Break		
11a	6024953	Capacitor Mounting Strap		[2]
11b	6021601	Capacitor Mounting Strap		[1]
12	5202169	Screw - #10-24 x 0.50" Ground		
12a	5573209	Star Washer		
13	5202069	Screw - #10-24 x 0.50" HEX		
14		Control Box Wiring Harness		[2]
14a	2008159	Control Box Wiring Harness - 115V/60 Hz/1 Ph		[2]
14b	2008179	Control Box Wiring Harness - 230V/50 Hz/1 Ph		[2]
14c	2008169	Control Box Wiring Harness - 230V/60 Hz/1 Ph		[2]
15		Control Box Wiring Harness		[1]
15a	2008273	Control Box Wiring Harness - 115V/60 Hz/1 Ph		[1]
15b	2008293	Control Box Wiring Harness - 230V/50 Hz/1 Ph		[1]
15c	2008283	Control Box Wiring Harness - 230V/60 Hz/1 Ph		[1]

PART NOTES:

- [1] - After Serial Number 110704351
- [2] - Before Serial Number 110704351

S0300

S0300 EVAPORATOR COMPARTMENT



S0300

S0300 EVAPORATOR COMPARTMENT

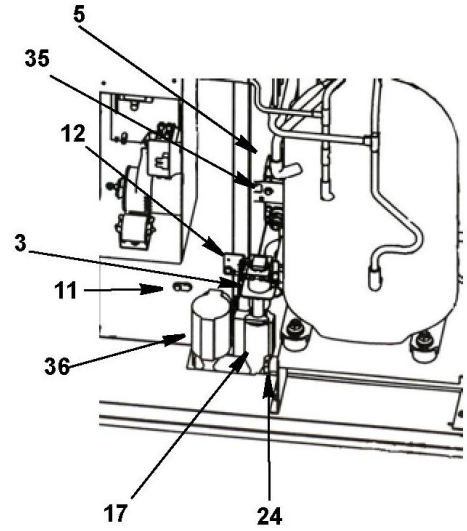
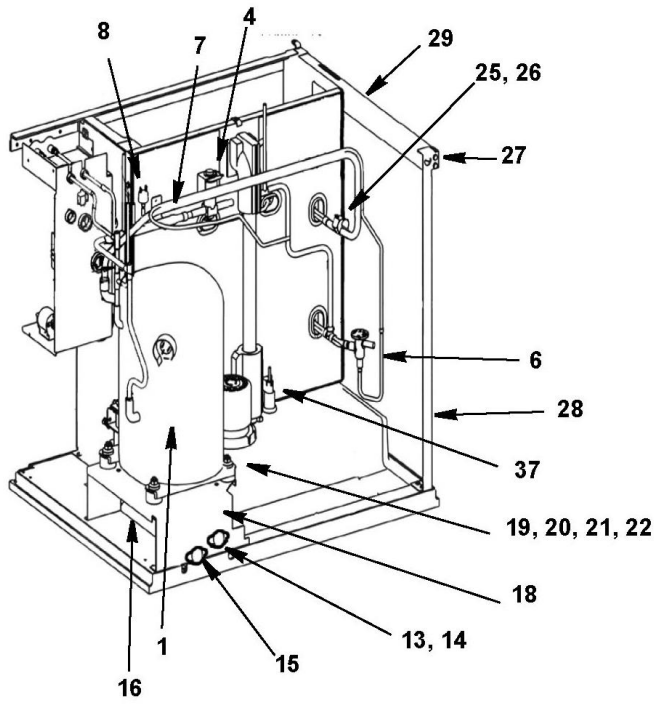
#	PART #	DESCRIPTION	QTY	Note
1		Evaporator Assembly		
1a	7602699	Evaporator - Dice Cube		
1b	7602709	Evaporator - Half Dice Cube		
2		Water Pump		
2a	2007679	Water Pump - 115V/60 Hz		
2b	2007669	Water Pump - 230V/50 Hz		
2c	2007659	Water Pump - 230V/60 Hz		
3	2006549	Water Level Probe		
3a	2007989	Wire - Control Box to Probe		
4	2008029	Ice Thickness Control Probe		
5	000007888	Magnetic Bin Switch		
6	4011149	Water Curtain		
7	7602193	Water Distribution Tube - 30" Models		
7a	5004649	O-Rings		[1]
8		Water Trough - See Note for Serial Break		
8a	000002106	Water Trough		[2]
8b	4003609	Water Trough		[3]
9	4008469	Evaporator Top Filler Panel		
9a	6064969	Filler Panel Bracket		
9b	5202099	Screw - #10-24 x 0.50" PHIL		
10	8373263	Refrigeration Service Valve Assembly		
11	7602203	Evaporator Top Frame Assembly		
12	7602213	Water Diverter - 30" Models		
12a	5305123	Thumbscrew SS - #8-32 x 0.44"		
13	5004799	Thumbscrew SS - #8-32 x 0.375"		[4]
13a	5004629	O-Ring - 0.125" ID		
14	5004619	Screw - #12-16 x 0.687"		[5]
15	5004659	Water Pump Base O-Ring - 4.00" ID		
16	5004679	Water Pump Outlet O-Ring - 0.875" ID		
17	000001382	Vinyl Tubing 0.625" ID		[6]
17a	6038831	Insulation 0.88 ID X 0.25W X 13.50L		

PART NOTES:

- [1] - Back of Distribution Assembly
- [2] - After Serial Number 110704351
- [3] - Before Serial Number 110704351
 \water trough.jpg" width=313 height=169>
- [4] - Water Distribution Tube Mounting Each
- [5] - Used to Mount Evaporator Each
- [6] - dump valve to drain adapter

S0300

S0300 REFRIGERATION COMPARTMENT - COMMON COMPONENTS



S0300

S0300 REFRIGERATION COMPARTMENT - COMMON COMPONENTS

#	PART #	DESCRIPTION	QTY	Note
1		Compressor - Before Serial Number 110704351		[1]
1a	7601363	Compressor - Danfoss - 115V/60 Hz/1 Ph		[1]
1b	7601373	Compressor - Danfoss - 230V/50 Hz/1 Ph		[1]
1		Compressor - After Serial Number 110704351		[2]
1c	000003921	Compressor - 115V/60 Hz/1 Ph		[2]
1d	000003922	Compressor - 208-230V/50-60 Hz/1 Ph		[2]
2	8251403	Overload - 115V/60 Hz/1 Ph		
3		Water Dump Valve		
3a	000001767	Water Dump Valve - 115V/60 Hz		
3b	000001768	Water Dump Valve - 208-230V/50-60 Hz		
4		Harvest Valve Including Electrical Coil Danfoss		
4a	7630011	Danfoss Solenoid Valve With Coil - 115V/60 Hz		
4b	7630071	Danfoss Solenoid Valve With Coil - 208-230V/50-60 Hz		
4		Harvest Valve Coil Only Danfoss		
4a	000005156	Danfoss Solenoid Valve Coil Only - 115V/60 Hz		[3]
4b	000005157	Danfoss Solenoid Valve Coil Only - 230V/50-60 Hz		[4]
5		Water Inlet Valve with Coil		
5a	000000375	Water Inlet Valve - 115V/60 Hz/1 Ph		
5b	000009126	Water Inlet Valve - 208-230V/50-60 Hz		
6	7600173	Expansion Valve		
6a	4013409	Valve Insulation Boot - Body		
6b	4007203	Valve Insulation Boot - Bulb		[5]
7	000008364	Manifold Strainer		
8	2001243	High Pressure Cut-out Control		
9	6063989	Electrical Connection Box Cover		
9a	6063979	Electrical Connection Box Cover		
9b	2006143	Terminal Block - 50 Hz - 3 Pole		
9c	5202169	Screw - #10-24 x 0.50" Ground		
10		Compressor Compartment Wiring Harness		
10a	2007329	Compressor Compartment Wiring Harness - Water-cooled		
10b	2007319	Compressor Compartment Wiring Harness - Air-cooled		
11	000007888	Magnetic Bin Switch		
12	6058459	Water Dump Valve Mounting Bracket		
13	8706093	Female Wing Adapter - 0.375"		
14	1360961	Male Connector		
15	8706083	Female Wing Adapter - 0.50"		
16	4420383	Clear Tubing - 0.625" ID		
17	4420383	Clear Tubing - 0.625" ID		
18	6061709	Compressor Mounting Base		
19	5000899	Compressor Rubber Grommet		
20	5000909	Sleeve		
21	5004993	Compressor Mounting Bolt 1/4-20 x 1 1/4		

S0300

S0300 REFRIGERATION COMPARTMENT - COMMON COMPONENTS

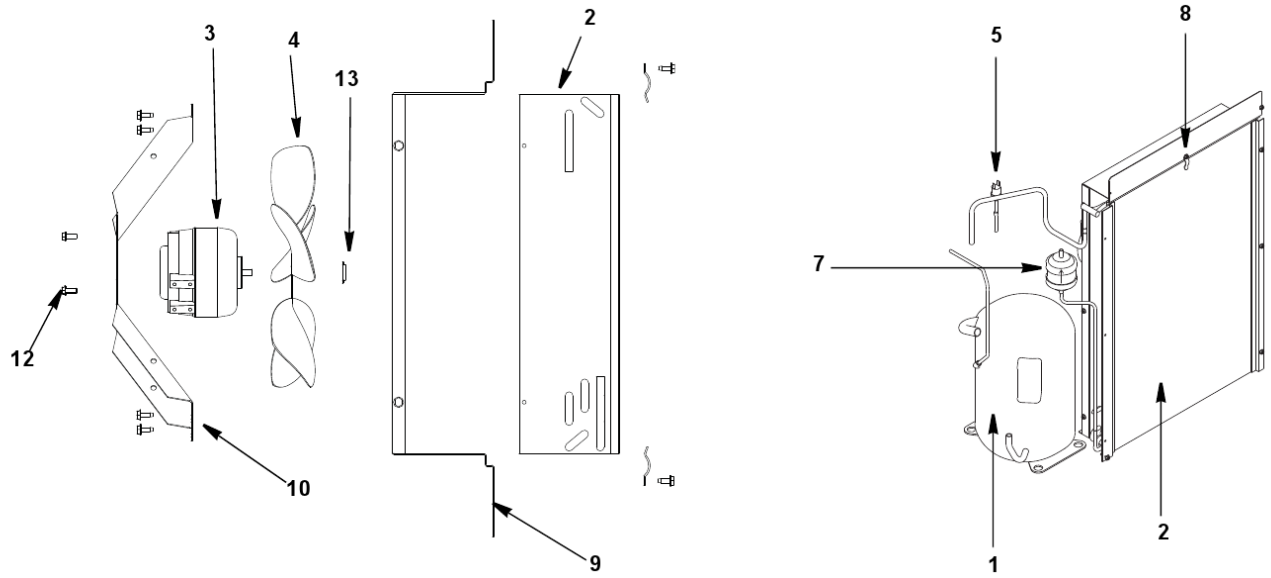
#	PART #	DESCRIPTION	QTY	Note
22	5005003	Compressor Mounting Nut		
23	2008553	Compressor Wiring Harness		
24	5650709	Snap Clamp - 0.799"/0.899" ID		
25	5650529	Clamp - Expansion Valve Bulb		
26	3000833	Strap - Expansion Valve Bulb - 0.375"		
27	5202069	Screw - #10-24 x 0.50" HEX		
28	6058371	Left Corner Post		
29	6068649	Left Top Channel		
30	6063501	Right Corner Post		
31	6062579	Right Top Channel		
32	000003403	Insulated Tube		[6]
32a	5650603	Snap Clamp - 1.0" ID		
32b	5650703	Snap Clamp - 0.799"/0.899" ID		
33	4010439	Tubing - Water Inlet Valve		[7]
34	1360989	Connector - Water Inlet Valve		
35	6058459	Water Dump Valve Mounting Bracket		
36	000002473	Check Valve Replacement		[8]
37	2006559	Water Level Probe Holder		
37a	5202069	Screw - #10-24 x 0.50" HEX		[9]

PART NOTES:

- [1] - Before Serial Number 110704351
- [2] - After Serial Number 110704351
- [3] - \pages from 000005156_02.jpg" width=280 height=256>
- [4] - \pages from 000005156_02.jpg" width=266 height=183>
- [5] - \pages from 400720_08.jpg" width=923 height=583>
- [6] - vinyl tubing from distribution tube to water pump & dump valve
- [7] - \pages from 401043_05.jpg" width=1797 height=2238>
- [8] - includes water diverter, vinyl tubing & insulation
- [9] - mounts Water Level Probe Holder

S0300

S0300 REFRIGERATION COMPARTMENT - AIR-COOLED COMPONENTS



S0300

S0300 REFRIGERATION COMPARTMENT - AIR-COOLED COMPONENTS

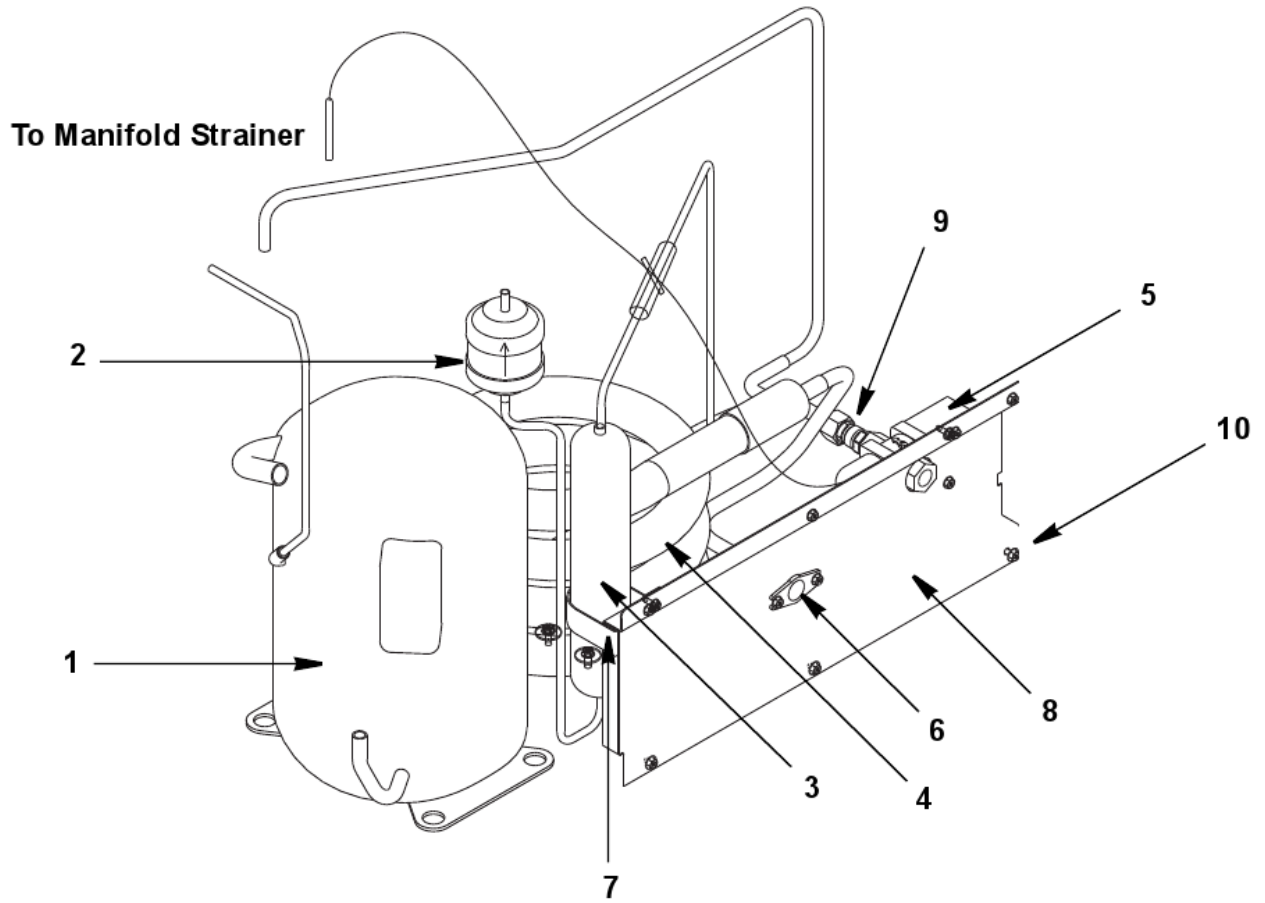
#	PART #	DESCRIPTION	QTY	Note
1		Compressor		[1]
2	8851303	Air Condenser		
3		Fan Motor		
3a	2412813	Fan Motor - 115V/60 Hz		
3b	2412823	Fan Motor - 208-230V/50-60 Hz		
4	2416223	Fan Blade		
5	2001263	Fan Cycling Control - 200-250 psig		[2]
6	3005699	Air Filter		
7	8930259	Drier		
8	5650699	Air Filter Clip		
9	6058399	Fan Shroud		
10	6027431	Fan Motor Mounting Bracket		
11	5025599	Screw - #8-36 x 0.375"		
12	5202069	Screw - #10-24 x 0.50" HEX		
13	5475079	Speed Nut - 0.25" x 20		

PART NOTES:

- [1] - Refer to Common Components
- [2] - \pages from 200126_09.jpg" width=150 height=306>

S0300

S0300 REFRIGERATION COMPARTMENT - WATER-COOLED COMPONENTS



S0300

S0300 REFRIGERATION COMPARTMENT - WATER-COOLED COMPONENTS

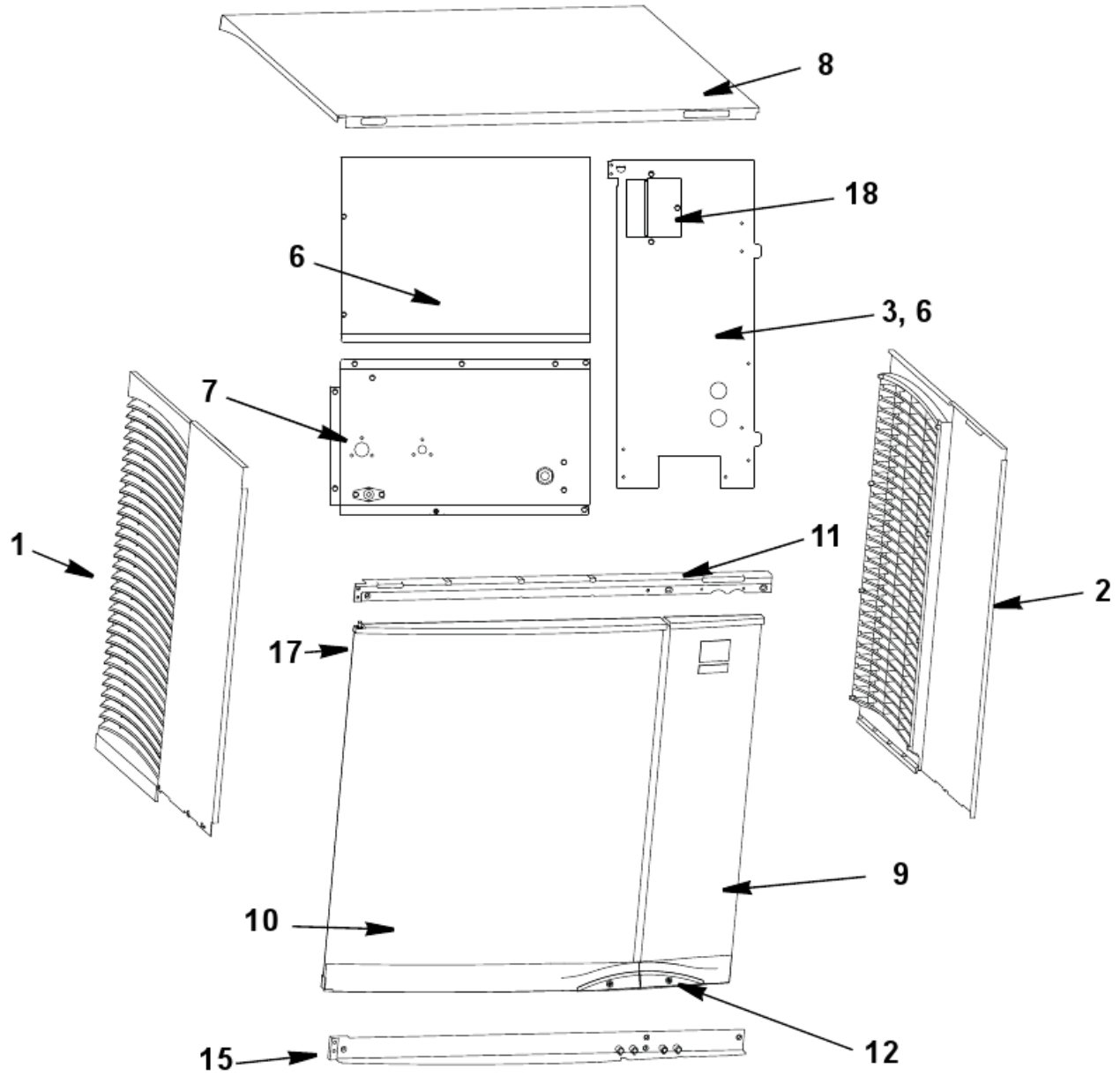
#	PART #	DESCRIPTION	QTY	Note
1		Compressor		[1]
2	8930259	Drier		
3	000008892	Receiver		
4	000000045	Water-cooled Condenser		
5	8372069	Water Regulating Valve		
5a	000007553	High Pressure Water Regulating Valve		
6	8706103	Female Wing Adapter - 0.50"		
7	6000541	Receiver Strap		
8	6061739	Back Coupling Panel - Water-cooled and Remote Air-cooled		
9	5002159	Elbow 3/8 MF x 3/8 MPT		
10	5202069	Screw - #10-24 x 0.50" HEX		
11	5573419	Washer		
12	6058659	Base, Water Condenser/Receiver		

PART NOTES:

[1] - Refer to COMMON PARTS Page

S0300

S0300 PANELS



S0300

S0300 PANELS

#	PART #	DESCRIPTION	QTY	Note
1	6060519	Left Side Panel		
2	6060509	Right Side Panel		
		Air-cooled Back Panels		
3	6060879	Back Panel - Air-cooled		
4	3005699	Air Filter		
5	6061069	Air Baffle		
		Water-cooled Back Panels		
6	6061049	Back Panel - Water-cooled and Remote Air-cooled		
7	6061739	Back Coupling Panel - Water-cooled and Remote Air-cooled		
		Aluminum Front Top Support on Machine - Replace All		
8	000006699	Top Cover		
9	6071621	Right Door		
10	6071591	Left Door		
11	000000295	Front Top Rail		
11a	5005379	Mounting Screw - #8-32 x 1" PHIL		
11b	5005099	Mounting Screw - #10-16 x 0.625" PHIL		
		Plastic Front Top Support on Machine - Replace as Needed		[1]
8	000006699	Top Cover		
9	6071621	Right Door		
10	6071591	Left Door		
11	000000295	Front Top Rail		
11a	5005379	Mounting Screw - #8-32 x 1" PHIL		
11b	5005099	Mounting Screw - #10-16 x 0.625" PHIL		
12	5004899	Front Door Screw		
13		Left Door Endcaps		
13a	4015113	Left Door End Cap - Top		
13b	4015123	Left Door End Cap - Bottom		
14		Right Door Endcaps		
14a	4015143	Right Door End Cap - Top		
14b	4015153	Right Door Endcap - Bottom		
15	7602263	Bottom Door Frame		
15a	5005379	Mounting Screw - #8-32 x 1" PHIL		
15b	5202099	Screw - #10-24 x 0.50" PHIL		
16	6062369	Door Catch Bracket		
16a	5026249	Mounting Screw - #8-32 x 0.50" PHIL		
17	3005579	Left Door Pivot Leaf Hinge		[2]
17a	5005379	Mounting Screw - #8-32 x 1" PHIL		
18	6063979	Electrical Connection Box Cover		
19	4004593	Sachet Holder		[3]
19a	5004799	Thumbscrew SS - #8-32 x 0.375"		
20	7112299	Cartoning		

S0300

S0300 PANELS

#	PART #	DESCRIPTION	QTY	Note
---	--------	-------------	-----	------

PART NOTES:

- [1] - replace as needed
- [2] - Top or Bottom
- [3] - Not Shown - Inside Left Door