



***Manitowoc***  
**Foodservice**  
**Parts Manual**

For more Parts Information:

<https://manitowocfsg.sysonline.com/Default.aspx>

# TABLE OF CONTENTS

Manitowoc Foodservice [Updated: Sep. 30, 2013]

Manitowoc - Ice & Related

Parts Catalog

Ice Machine

RF Series

RF Model - UnderCounter

RF0385

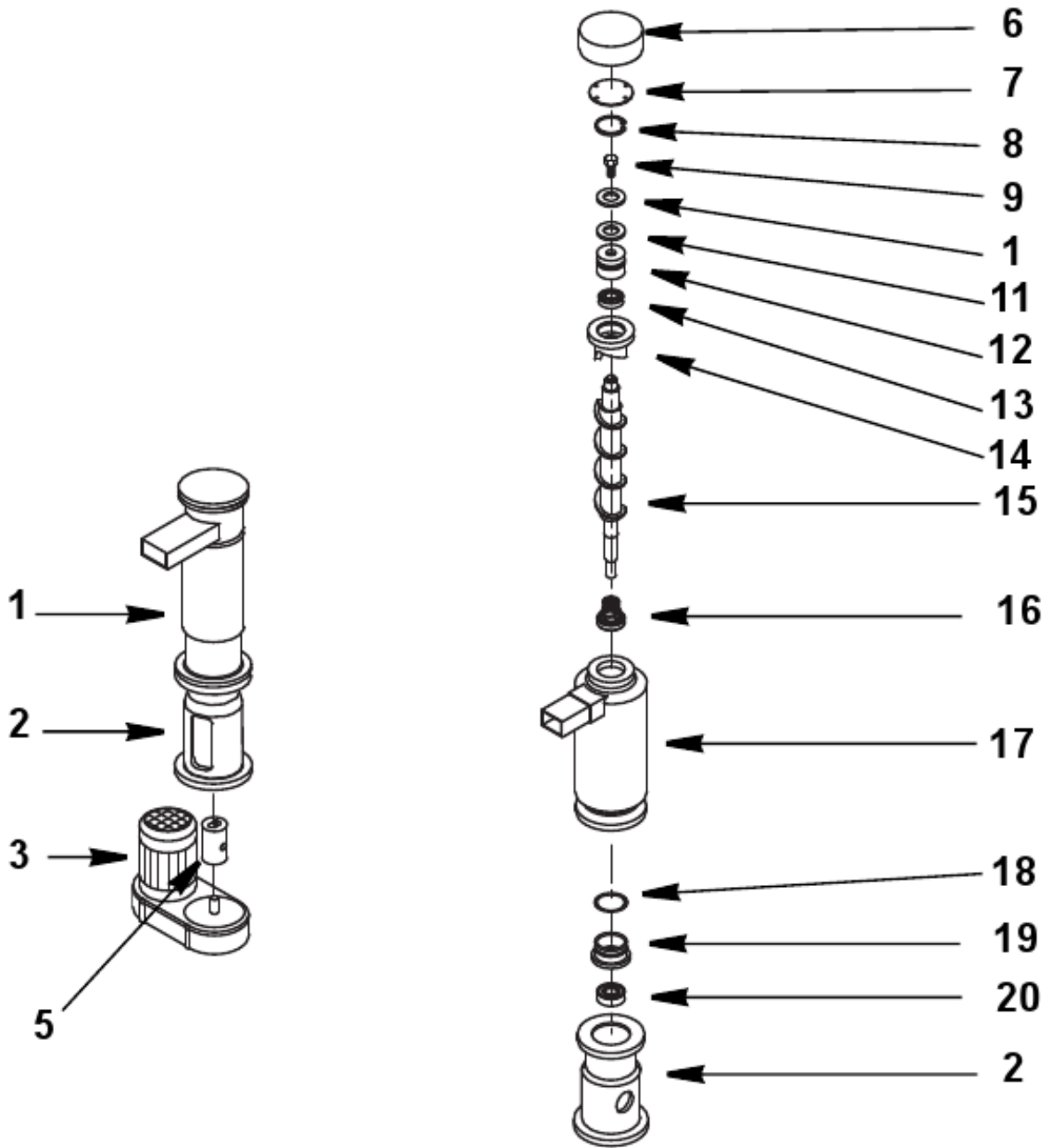
RF0385 Evaporator Assembly ..... 1

RF0385 Evaporator Compartment ..... 3

RF0385 Panels ..... 6

# RF0385

## RF0385 EVAPORATOR ASSEMBLY



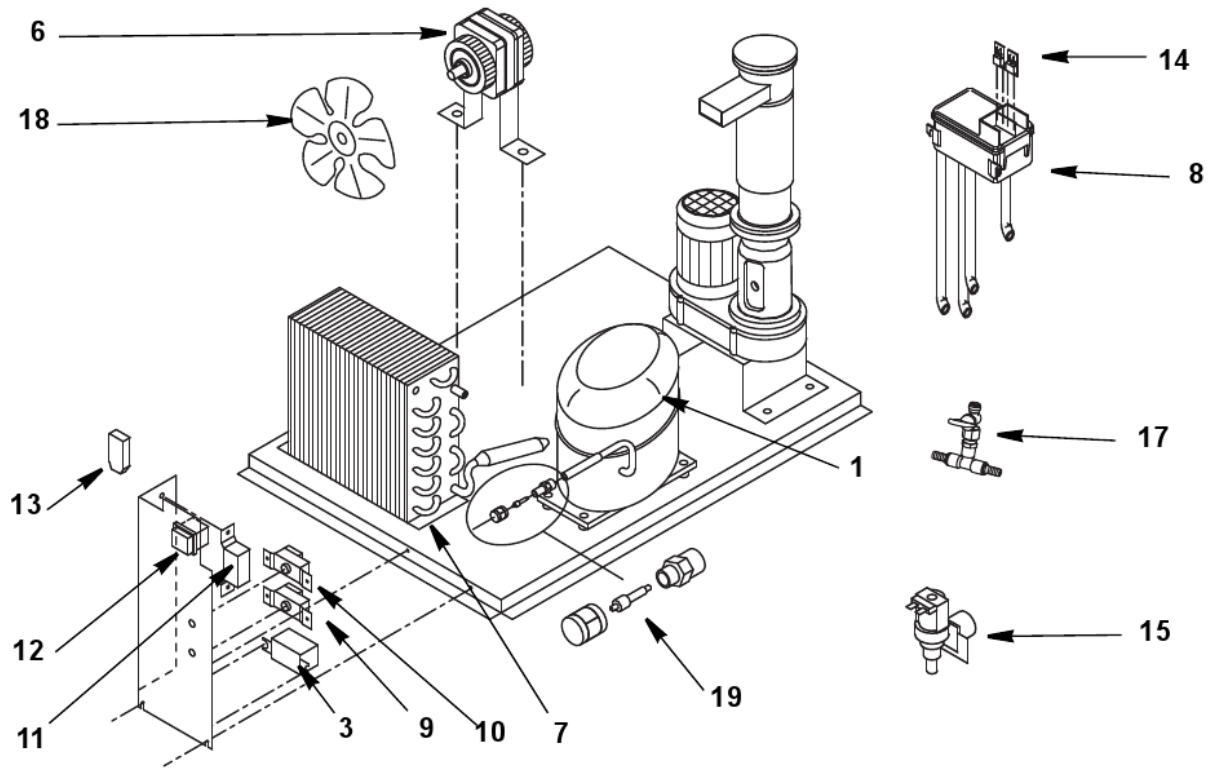
# RF0385

## RF0385 EVAPORATOR ASSEMBLY

#	PART #	DESCRIPTION	QTY	Note
1	000005684	Evaporator Assembly		
2	000005693	Evaporator Foundation		
2a	000012459	Bolt - Evaporator Foundation - M6 x 25mm		
3		Gear Motor Assembly		
3a	000011126	Gearmotor Assembly - 115V/60 Hz/1 Ph		
3b	000011800	Gearmotor Assembly - 208-230V/50-60 Hz/1 Ph		
4		Gearmotor Capacitor		
4a	000007825	Gearmotor Capacitor - 115V/60 Hz/1 Ph		
4b	000007824	Gearmotor Capacitor - 230V/50 Hz/1 Ph		
4c	000007826	Gearmotor Capacitor - 220V/60 Hz/1 Ph		
5	000005642	Coupling		
6	000005734	Insulating Cap		
7	000005608	Bearing Cap		
8	000005757	Snap Ring		
9	000005599	Auger Bolt		
10	000005609	Bearing Shim		
11	000005650	Self Lubricating Disc		
12	000005607	Upper Bearing		
13	000005735	Upper O-ring		
14	000005647	Cutter Head		
15	000005598	Auger		
16	000005778	Water Seal		
17	000005681	Evaporator		
18	000005583	O-ring Gasket		
19	000005782	Water Seal Retainer		
20	000005605	Lower Bearing		

# RF0385

## RF0385 EVAPORATOR COMPARTMENT



# RF0385

## RF0385 EVAPORATOR COMPARTMENT

#	PART #	DESCRIPTION	QTY	Note
1		Compressor		
1a	000005626	Compressor - 115V/60 Hz/1 Ph		
1b	000005628	Compressor - 220V/60 Hz/1 Ph		
1c	000005627	Compressor - 208-230V/50-60 Hz/1 Ph		
2		Compressor Overload		
2a	000008402	Compressor Overload - 115V/60 Hz/1 Ph		
2b	000008401	Compressor Overload - 230V/50 Hz/1 Ph		
3		Compressor Delay Relay		
3a	000005746	Compressor Delay Relay - 115V/60 Hz/1 Ph		
3b	000005745	Compressor Delay Relay - 230V/50-60 Hz/1 Ph		
4		Compressor Start Relay		[1]
4a	000008384	Compressor Start Relay - 115V/60 Hz/1 Ph		
4b	000008383	Compressor Start Relay - 230V/50 Hz/1 Ph		
5		Start Capacitor		
5a	000008428	Start Capacitor - 115V/60 Hz/1 Ph		
5b	000008427	Start Capacitor - 230V/50 Hz/1 Ph		
6		Condenser Fan Motor		
6a	000005576	Condenser Fan Motor - 115V/60 Hz/1 Ph		
6b	000005577	Condenser Fan Motor - 208-230V/50-60 Hz/1 Ph		
6c	000005575	Fan Motor - 230V/50 Hz/1 Ph		
7	000005632	Air Condenser		
8	000012450	Water Reservoir Assembly		[2]
9	000005768	Evaporator Safety Thermostat		
10	000005766	Bin Thermostat		
11		Fan Cycle Control - See Note for Usage		
11a	000006060	Fan Cycle Control - 115-230V/50-60 Hz/1 Ph		[3]
11b	000006191	Fan Cycle Control - 208-230V/50-60 Hz/1 Ph		[4]
12	000006069	ON/OFF Rocker Switch		
13	000005680	Electronic Noise Reducer		[5]
14	000005760	Float Microswitch (each)		
15		Water Inlet Valve		
15a	000006063	Water Inlet Valve - 115V/60 Hz/1 Ph		
15b	000005770	Water Inlet Valve - 220-230V/50-60 Hz/1 Ph		
16	000005674	Drier		
17	000009160	Evaporator Drain Tap		[6]
18	000008936	Condenser Fan Blade		
19		Access Valve		
19a	000006408	Fitting - Access Valve		
19b	000006409	Core - Access Valve		
19c	000006410	Cap - Access Valve		
20		Screws		
20a	000009040	Screw - M5 x 10TC		[7]

# RF0385

## RF0385 EVAPORATOR COMPARTMENT

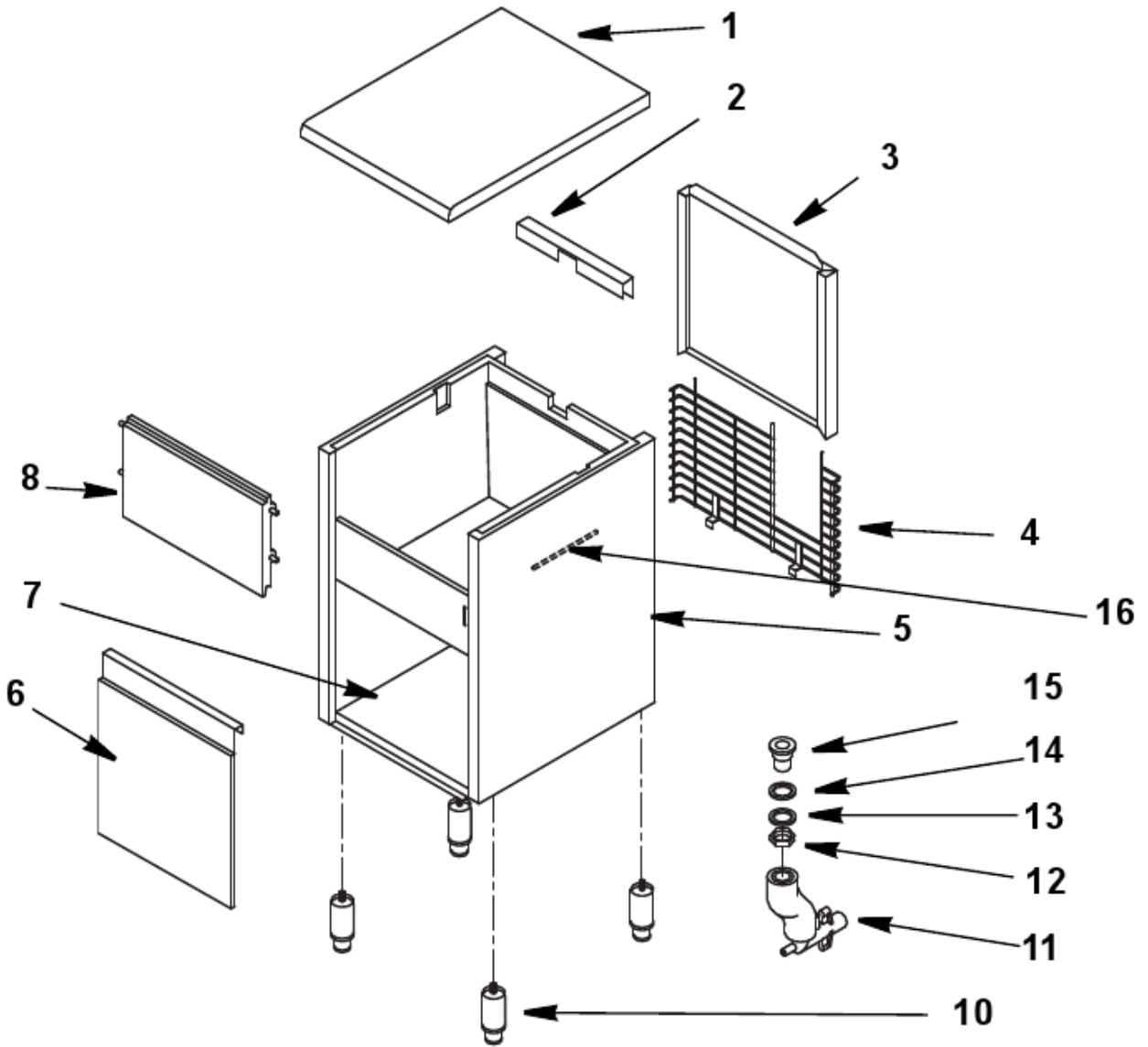
#	PART #	DESCRIPTION	QTY	Note
20b	000009041	Screw - 3.9 x 13TC		[7]
21		Backflow Preventer		
21a	000009971	Backflow Preventer 60 Hz - 3/8"		
21b	000009972	Backflow Preventer 50 Hz - 3/4"		

### PART NOTES:

- [1] - mounts on compressor
- [2] - Includes Reservoir, Hoses, Clamps, Drain Tap & Two Microswitches
- [3] - 115V
- [4] - 230V
- [5] - Radio Interference Filter
- [6] - when used
- [7] - No Longer Available

# RF0385

## RF0385 PANELS





# RF0385

## RF0385 PANELS

#	PART #	DESCRIPTION	QTY	Note
1	000005742	Top Panel		
2	000005612	Ice Spout Cover Bracket		
3	000005744	Back Panel Assembly		
4	000007804	Back Grill		
5		Foamed Cabinet Assembly		
5a	000007805	Foamed Cabinet Assembly - 115V/60 Hz/1 Ph		
5b	000007806	Foamed Cabinet Assembly - 230V/50-60 Hz/1 Ph		
6	000007807	Front Grill Panel		
7	000005602	Base Plate		
8	000005660	Door Assembly		
9	000005783	Plastic Legs		
10	000005663	Adjustable Stainless Steel Legs		
11		Drain Manifold		
11a	000006162	Drain Manifold - 115V/60 Hz/1 Ph		
11b	000005671	Drain Manifold - 208-230V/50-60 Hz/1 Ph		
12	000005581	Bin Drain Nut		
13	000005695	Bin Drain Gasket Bottom		
14	000005696	Bin Drain Gasket Top		
15	000005692	Bin Drain Fitting		
16	000005729	Bin Bulb Holder		