



***Manitowoc***  
**Foodservice**  
**Parts Manual**

For more Parts Information:

<https://manitowocfsg.sysonline.com/Default.aspx>

# TABLE OF CONTENTS

Manitowoc Foodservice [Updated: Sep. 30, 2013]

Manitowoc - Ice & Related

Parts Catalog

Ice Machine

RF Series

RF Model - UnderCounter

RF0266

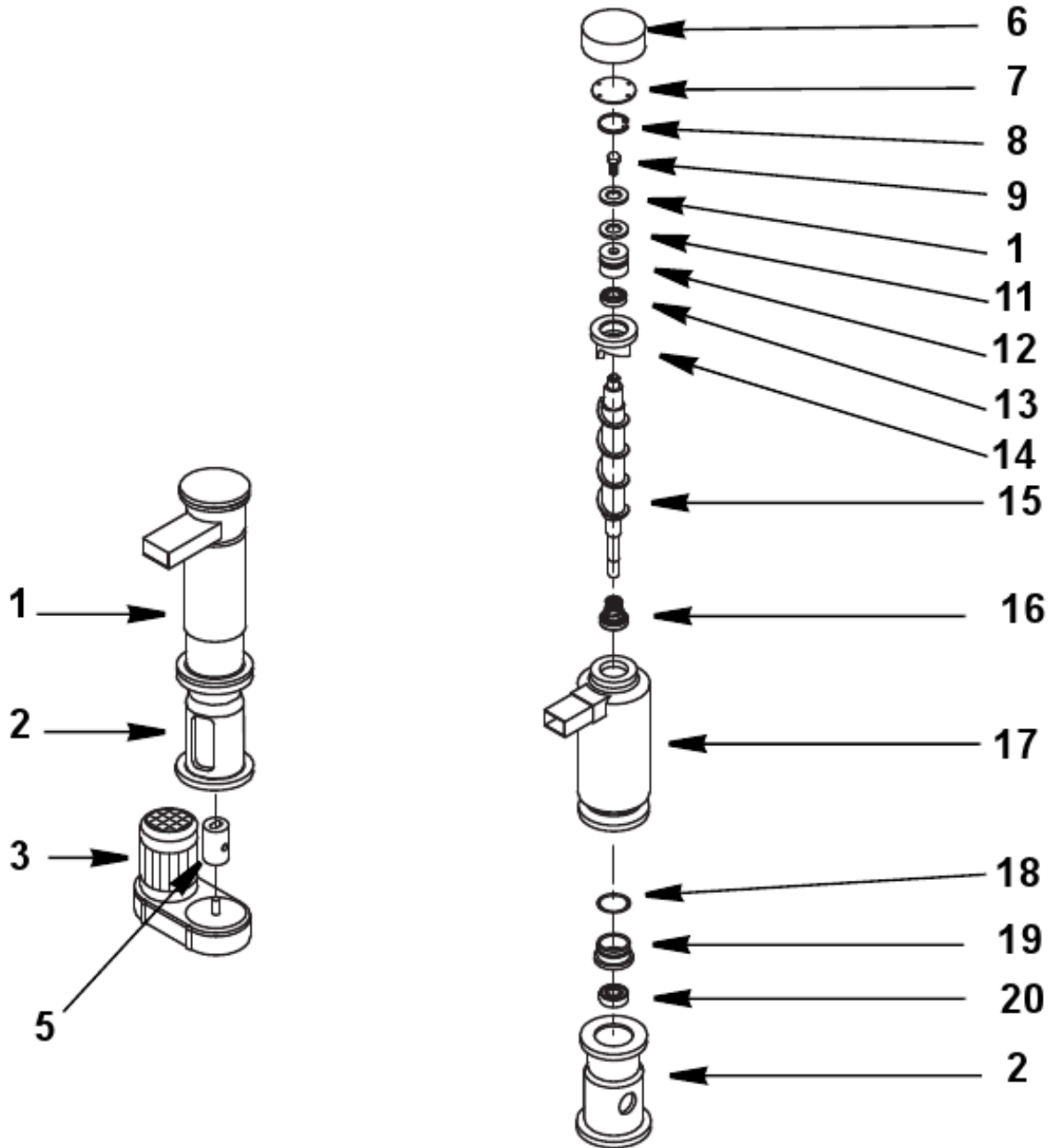
RF0266 Evaporator Assembly ..... 1

RF0266 Evaporator Compartment ..... 3

RF0266 Panels ..... 6

# RF0266

## RF0266 EVAPORATOR ASSEMBLY



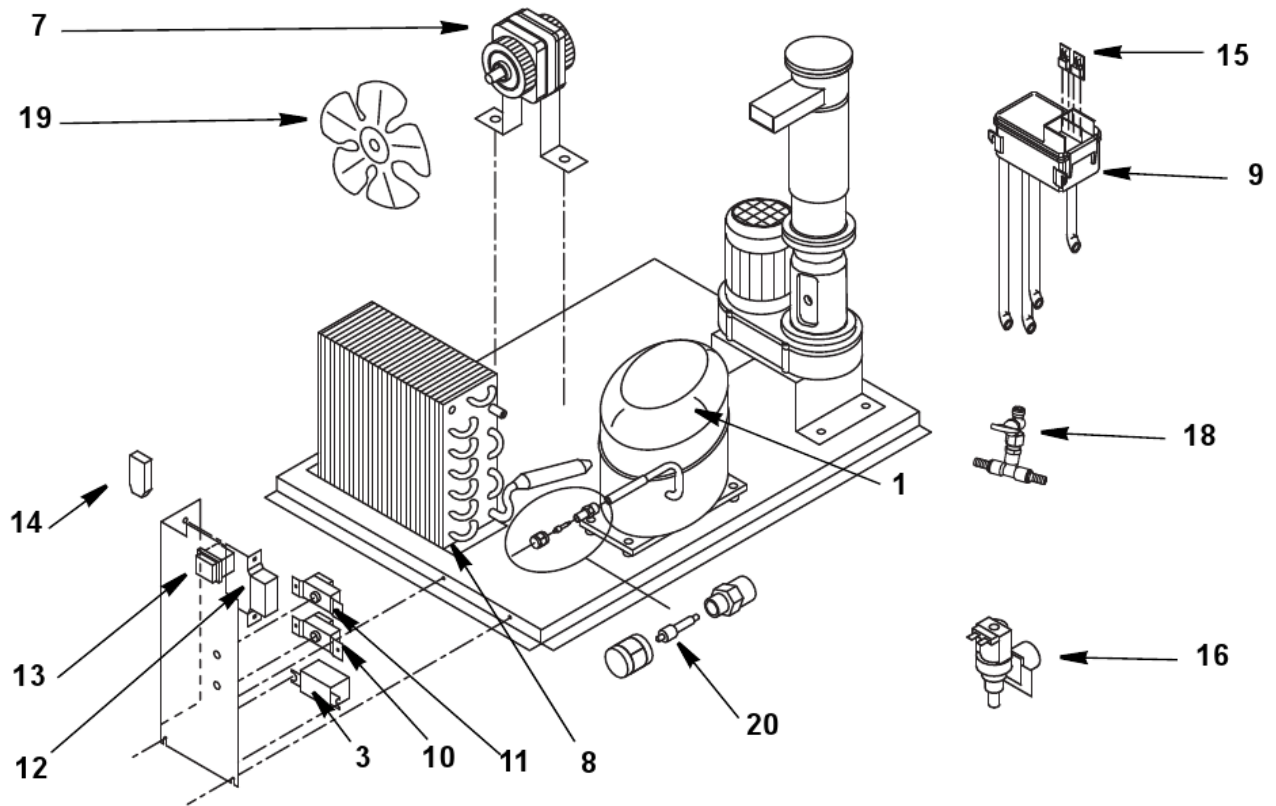
# RF0266

## RF0266 EVAPORATOR ASSEMBLY

#	PART #	DESCRIPTION	QTY	Note
1	000005684	Evaporator Assembly		
2	000005693	Evaporator Foundation		
2a	000012459	Bolt - Evaporator Foundation - M6 x 25mm		
3		Gear Motor Assembly		
3a	000011126	Gearmotor Assembly - 115V/60 Hz/1 Ph		
3b	000011800	Gearmotor Assembly - 208-230V/50-60 Hz/1 Ph		
4		Gearmotor Capacitor		
4a	000007825	Gearmotor Capacitor - 115V/60 Hz/1 Ph		
4b	000007824	Gearmotor Capacitor - 230V/50 Hz/1 Ph		
4c	000007826	Gearmotor Capacitor - 220V/60 Hz/1 Ph		
5	000005642	Coupling		
6	000005734	Insulating Cap		
7	000005608	Bearing Cap		
8	000005757	Snap Ring		
9	000005599	Auger Bolt		
10	000005609	Bearing Shim		
11	000005650	Self Lubricating Disc		
12	000005607	Upper Bearing		
13	000005735	Upper O-ring		
14	000005647	Cutter Head		
15	000005598	Auger		
16	000005778	Water Seal		
17	000005681	Evaporator		
18	000005583	O-ring Gasket		
19	000005782	Water Seal Retainer		
20	000005605	Lower Bearing		

# RF0266

## RF0266 EVAPORATOR COMPARTMENT



# RF0266

## RF0266 EVAPORATOR COMPARTMENT

#	PART #	DESCRIPTION	QTY	Note
1		Compressor		[1]
1a	000011956	Compressor - Embraco - 115V/60 Hz/1 Ph		[2]
1b	000005615	Compressor - Tecumseh - 115V/60 Hz/1 Ph		[3]
1c	000005616	Compressor - Tecumseh - 230V/60 Hz/1 Ph		
1d	000005614	Compressor - Tecumseh - 230V/50 Hz/1 Ph		
2		Compressor Overload - See Note for Usage		
2a	000012336	Overload - 115V/60 Hz/1 Ph		[4]
2b	000008400	Overload - 115V/60 Hz/1 Ph		[5]
2c	000008401	Overload - 230V/50 Hz/1 Ph		
3		Compressor Delay Relay		
3a	000005746	Compressor Delay Relay - 115V/60 Hz/1 Ph		
3b	000005745	Compressor Delay Relay - 230V/50-60 Hz/1 Ph		
4		Compressor Start Relay		[6]
4a	000008384	Compressor Start Relay - 115V/60 Hz/1 Ph		
4b	000008383	Compressor Start Relay - 230V/50 Hz/1 Ph		
5		Start Relay		
5a	000008381	Start Relay - 208-230V/50-60 Hz/1 Ph		
6		Start Capacitor - See Note for Usage		
6a	000012337	Start Capacitor - 115V/60 Hz/1 Ph		[4]
6b	000008426	Start Capacitor - 115V/60 Hz/1 Ph		[5]
6c	000008425	Start Capacitor - 230V/50 Hz/1 Ph		
7		Condenser Fan Motor		
7a	000005578	Fan Motor - 115V/60 Hz/1 Ph		
7b	000005574	Fan Motor - 208-230V/50-60 Hz/1 Ph		
8	000005629	Air Condenser		
9	000012450	Water Reservoir Assembly		[7]
10	000005768	Evaporator Safety Thermostat		
11	000005766	Bin Thermostat		
12		Fan Cycle Control		
12a	000006060	Fan Cycle Control - 115-230V/50-60 Hz/1 Ph		
13	000006069	ON/OFF Rocker Switch		
14	000005680	Electronic Noise Reducer		[8]
15	000005760	Float Microswitch (each)		
16		Water Inlet Valve		
16a	000006063	Water Inlet Valve - 115V/60 Hz/1 Ph		
16b	000005770	Water Inlet Valve - 220-230V/50-60 Hz/1 Ph		
17	000005674	Drier		
18	000009160	Evaporator Drain Tap		[9]
19		Condenser Fan Blade		
19a	000005687	Condenser Fan Blade - 60 Hz		
19b	000005688	Condenser Fan Blade - 50 Hz		
20		Access Valve		

# RF0266

## RF0266 EVAPORATOR COMPARTMENT

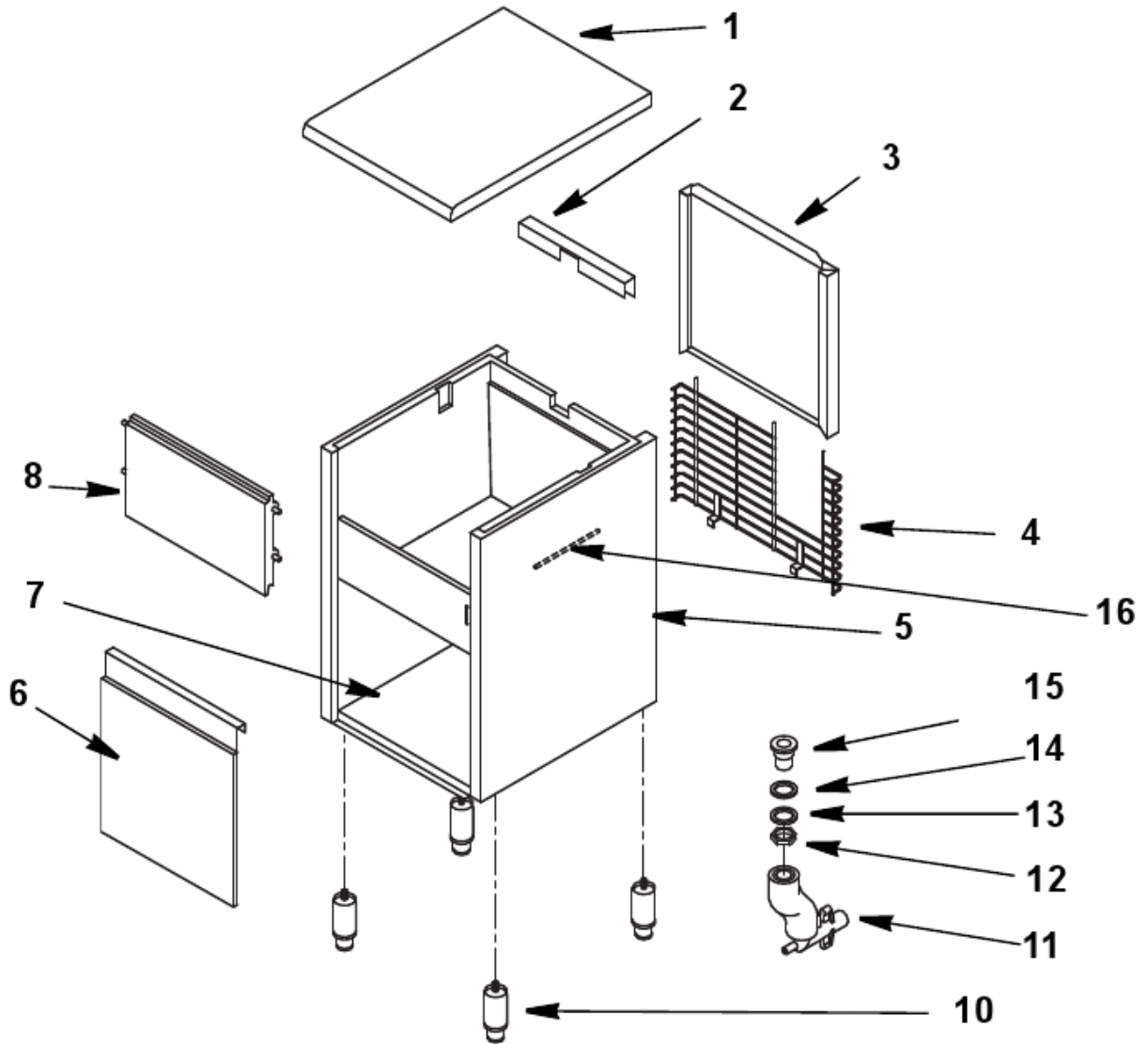
#	PART #	DESCRIPTION	QTY	Note
20a	000006408	Fitting - Access Valve		
20b	000006409	Core - Access Valve		
20c	000006410	Cap - Access Valve		
21		Screws		
21a	000009040	Screw - M5 x 10TC		[10]
21b	000009041	Screw - 3.9 x 13TC		[10]
22		Backflow Preventer		
22a	000009971	Backflow Preventer 60 Hz - 3/8"		
22b	000009972	Backflow Preventer 50 Hz - 3/4"		

### PART NOTES:

- [1] - Tecumseh 115V compressors are no longer available. Verify compressor prior to replacing start components. Replace Embraco compressor/start components with a Embraco compressor/start components. DO NOT INTERCHANGE COMPRESSORS OR START COMPONENTS.
- [2] - When replacing a Tecumseh compressor with an Embraco compressor the start components must be replaced. DO NOT INTERCHANGE COMPRESSORS OR START COMPONENTS.
- [3] - Discontinued - Replace with Embraco Compressor & Start Components
- [4] - Used with Embraco compressors. Verify compressor prior to replacing start components. DO NOT INTERCHANGE COMPRESSORS OR START COMPONENTS.
- [5] - Used with Tecumseh compressors. Verify compressor prior to replacing start components. DO NOT INTERCHANGE COMPRESSORS OR START COMPONENTS.
- [6] - mounts on Tecumseh compressor
- [7] - Includes Reservoir, Hoses, Clamps, Drain Tap & Two Microswitches
- [8] - radio interference filter
- [9] - when used
- [10] - No Longer Available

# RF0266

## RF0266 PANELS





# RF0266

## RF0266 PANELS

#	PART #	DESCRIPTION	QTY	Note
1	000005741	Top Panel		
2	000005611	Ice Spout Cover Bracket		
3	000005740	Back Panel Assembly		
4	000005700	Back Grill		
5		Foamed Cabinet Assembly		
5a	000006071	Foamed Cabinet Assembly 115/60/1		
5b	000006081	Foamed Cabinet Assembly - 230V/50-60 Hz/1 Ph		
6	000006077	Front Grill Panel		
7	000005601	Base Plate		
8	000005659	Door Assembly		
9	000005783	Plastic Legs		
10	000005663	Adjustable Stainless Steel Legs		
11	000006162	Drain Manifold - 115V/60 Hz/1 Ph		
12	000005581	Bin Drain Nut		
13	000005695	Bin Drain Gasket Bottom		
14	000005696	Bin Drain Gasket Top		
15	000005692	Bin Drain Fitting		
16	000006075	Bin Bulb Holder		