



Manitowoc
Foodservice
Parts Manual

For more Parts Information:

<https://manitowocfsg.sysonline.com/Default.aspx>

TABLE OF CONTENTS

Manitowoc Foodservice [Updated: Sep. 30, 2013]

Manitowoc - Ice & Related

Parts Catalog

Ice Machine

Q Series

Q Model - Flake/Nugget

QF2300, RFC2385

QF2300 - Control Box Components1

QF2300 - Evaporator Assembly3

QF2300 - Refrigeration Compartment - Common Components5

QF2300 - Gearmotor Assembly7

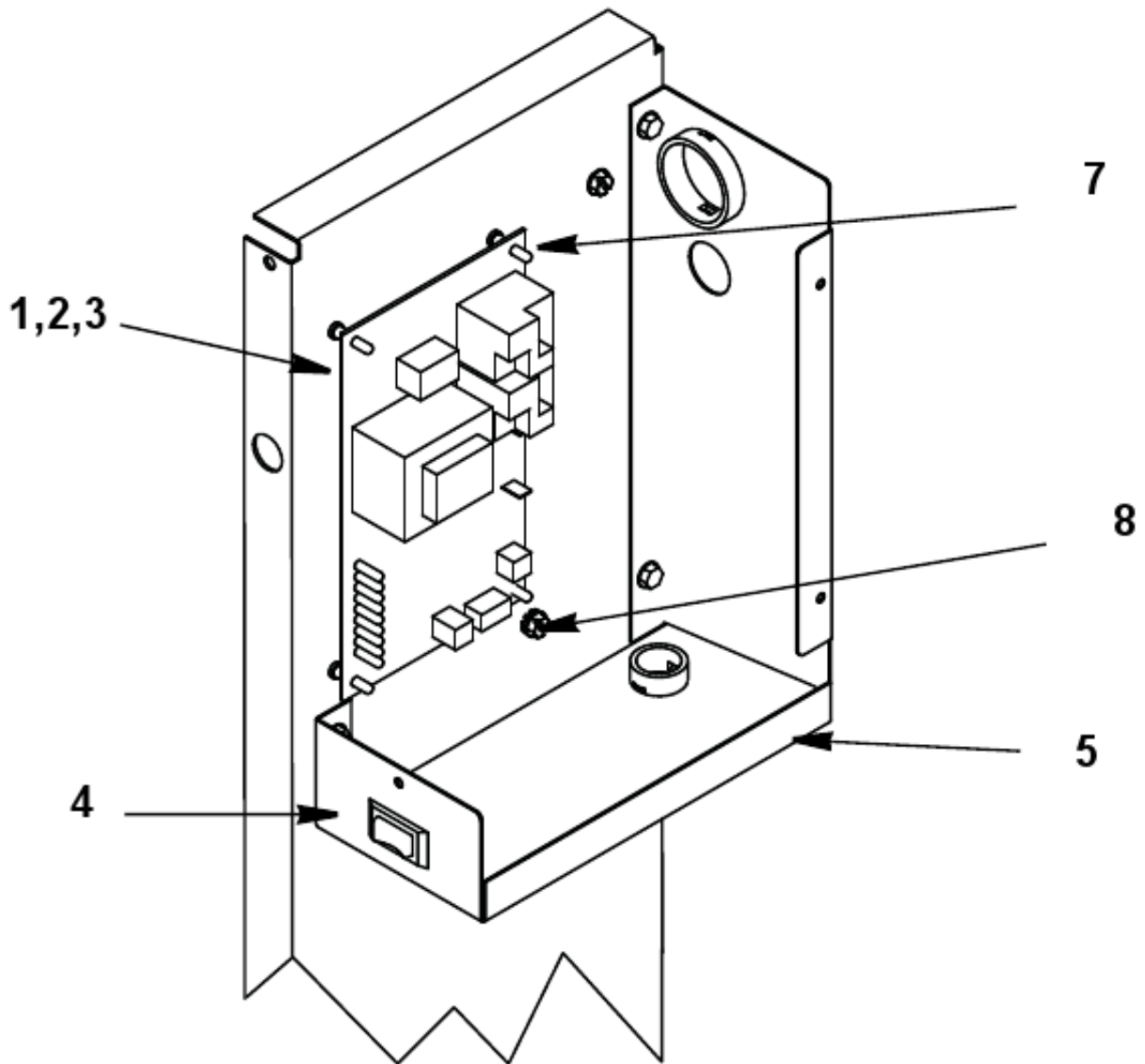
QF2300 - Panels9

RFC2385 - Condensing Unit11

RFC2385 - Condensing Unit - Panels13

QF2300, RFC2385

QF2300 - CONTROL BOX COMPONENTS

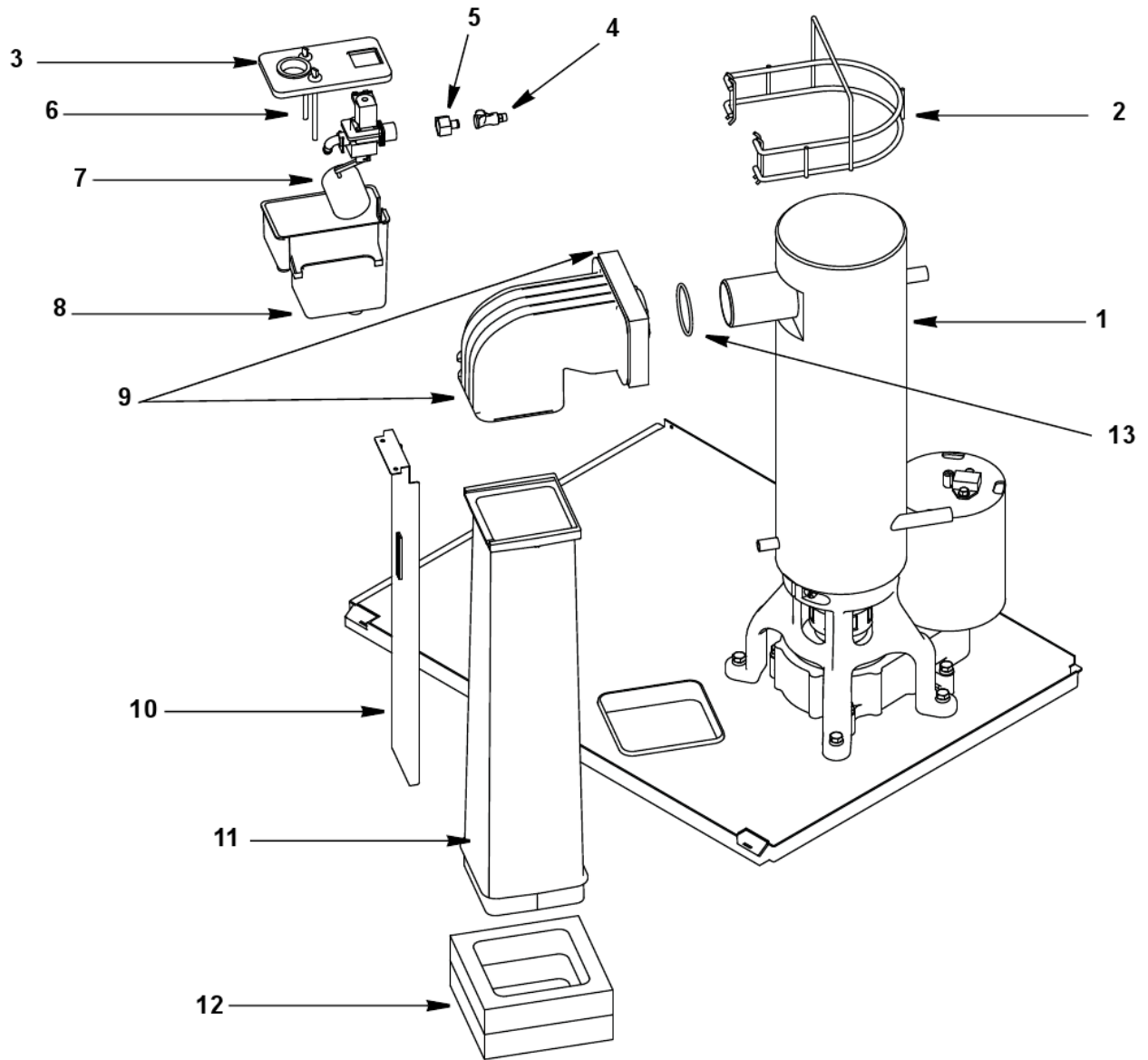


QF2300, RFC2385

QF2300 - CONTROL BOX COMPONENTS

#	PART #	DESCRIPTION	QTY	Note
1	000005624	Control Board		
2	2007819	Shunt Resistor for Control Board		
3	2511493	10 Amp Fuse		
4	2301513	Toggle Switch		
a	2000663	Wiring Harness - Toggle Switch		
5	6049981	Control Box		
6	6049271	Control Box Cover		
7	4302253	Control Board Mounting Supports		
8	5202169	Screw - #10-24 x 0.50" Ground		
9	2002213	Wiring Harness - 115V/60 Hz/1 Ph		

QF2300 - EVAPORATOR ASSEMBLY



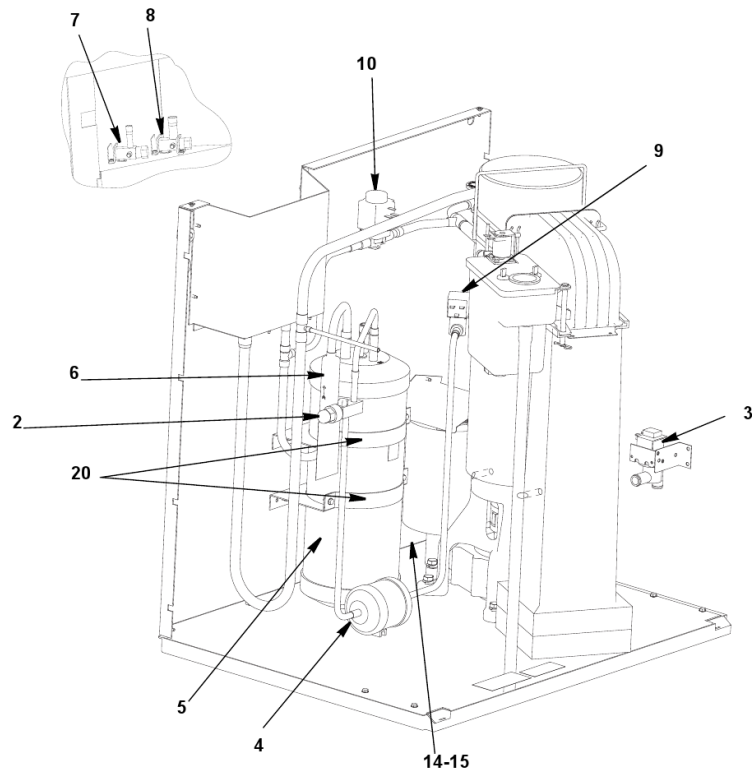
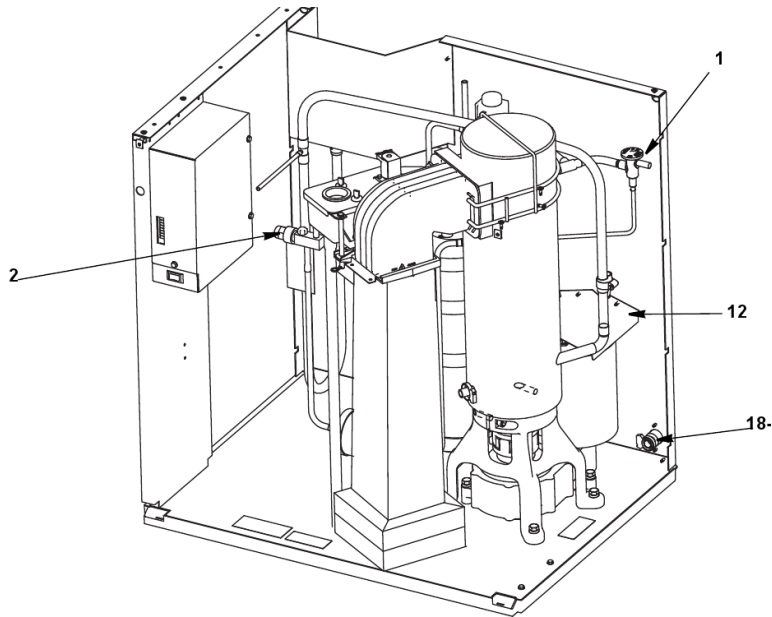
QF2300, RFC2385

QF2300 - EVAPORATOR ASSEMBLY

#	PART #	DESCRIPTION	QTY	Note
1		Evaporator Assembly		
1a	3001203	Evaporator - Flake		
2	3001663	Evaporator Spout Retainer		
3	4004673	Water Reservoir Cover		
3a	5000303	Plug		
4	5000243	Quick Disconnect Fitting		
5	5000233	Water Inlet Fitting		
6	7600693	Water Level Probe		
7	2000443	Water Float Valve Body		
7a	2000453	Water Valve - 115V/60 Hz/1 Ph Coil Only		
7b	4003173	Water Valve Foam Seal		
8	4004663	Water Reservoir		
9	4004813	Ice Chute Elbow		
9a	3001673	Insulation		
10	K00336	Bin Level Probe		
11	000000011	Ice Chute		
12	3001683	Ice Chute Insulation		
13	5000833	O-Ring		

QF2300, RFC2385

QF2300 - REFRIGERATION COMPARTMENT - COMMON COMPONENTS



QF2300, RFC2385

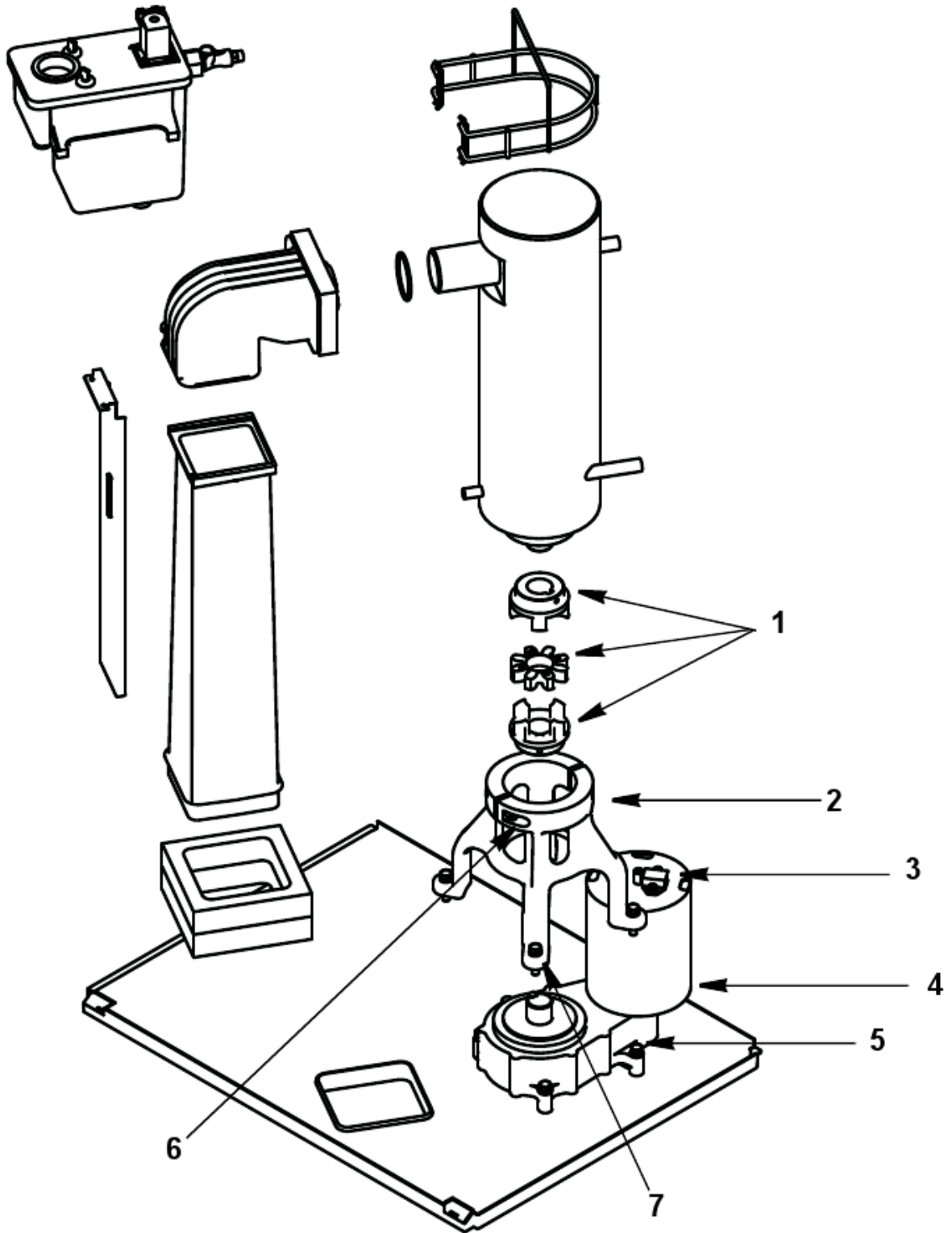
QF2300 - REFRIGERATION COMPARTMENT - COMMON COMPONENTS

#	PART #	DESCRIPTION	QTY	Note
1	7602103	Expansion Valve		
1a	4000573	Expansion Valve Body Insulation Boot		
1b	4000923	Valve Insulation Boot - Bulb		
1c	3000813	Copper Bulb Strap		
1d	5650523	Expansion Valve Bulb Hose Clamp		
2	8373169	Receiver Service Valve		
3		Water Dump Valve		
3a	000001767	Water Dump Valve - 115V/60 Hz		
3b	6050591	Mounting Bracket		
4	8930279	Drier		
5	7629593	Receiver		
6	8373159	Magni-Check Valve - 0.5"		
7	8373273	Manual Shut-off Valve Liquid Line		
8	8373283	Manual Shut-off Valve Suction Line		
9	7630021	Solenoid Valve 115V		
9a	000005156	Danfoss Solenoid Valve Coil Only - 115V/60 Hz		[1]
10	7602093	Equalization Solenoid Valve		
10a	2007889	Electrical Coil Only - 115V		
11	6051261	Gearmotor Shield		
12	8706093	Female Wing Adapter - 0.375"		
13	1360961	Male Connector		
14	4420291	Vinyl Tube - 0.25" OD		
15	4004943	Vinyl Drain Tubing		[2]
16	4005013	Vinyl Drain Tubing		[3]
17	8706083	Female Wing Adapter - 0.50"		
18	5650649	Hose Clamp - 0.759"/0.848" ID		
19	6000561	Receiver Mounting Bracket		
20	6307213	Receiver Mounting Strap		

PART NOTES:

- [1] - \pages from 000005156_02.jpg" width=280 height=256>
- [2] - evaporator and reservoir to dump valve
- [3] - dump valve to drain

QF2300 - GEARMOTOR ASSEMBLY



QF2300, RFC2385

QF2300 - GEARMOTOR ASSEMBLY

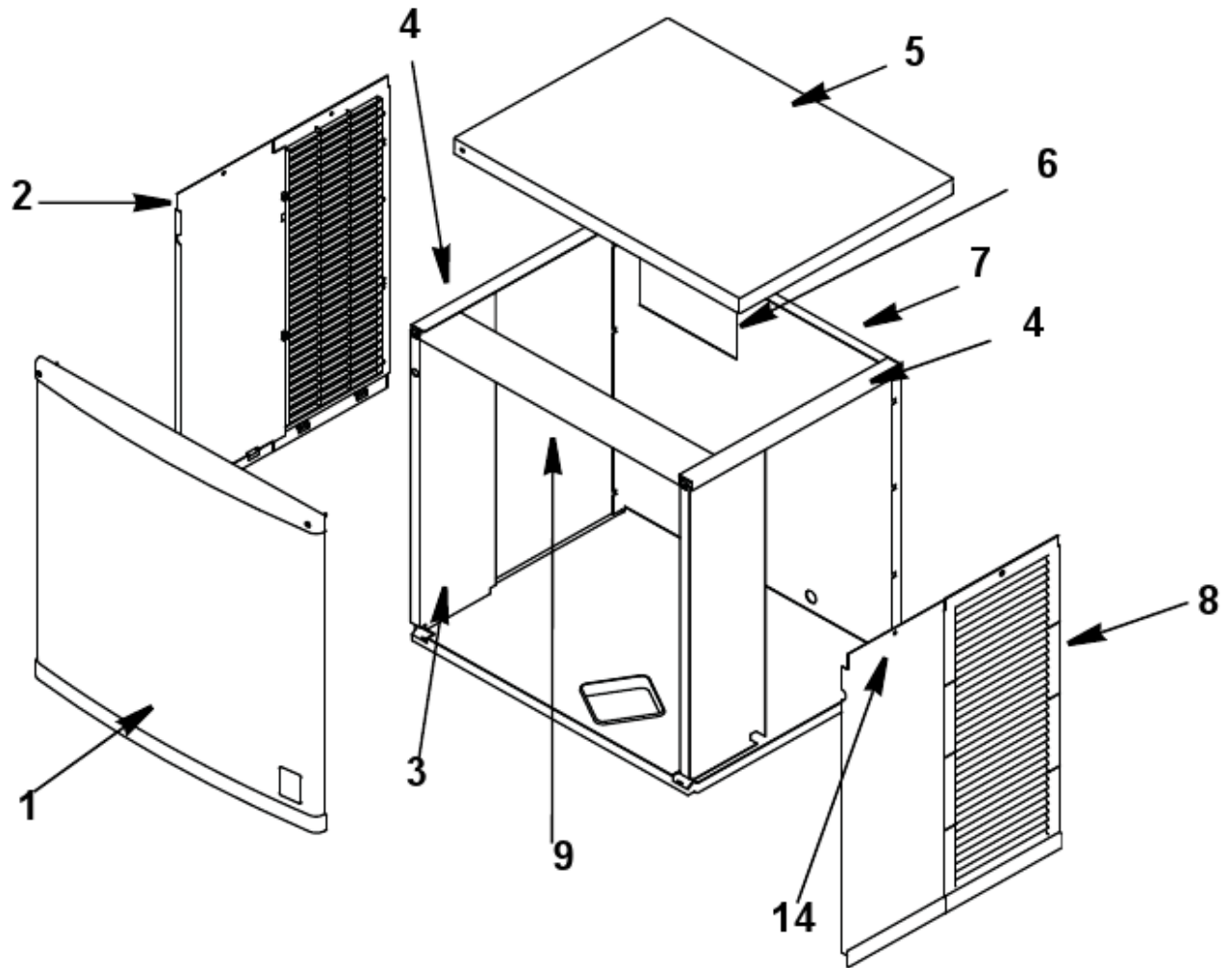
#	PART #	DESCRIPTION	QTY	Note
1	3001253	Shaft Coupling		[1]
2	3001603	Evaporator Foundation		
3	7602123	Gearmotor Speed Sensor		
4		Gearmotor - 115V/60 Hz/1 Ph		[2]
5	5037709	Foundation Mounting Bolt		
6	5000953	Foundation Mounting Bolt		[3]
6a	5545149	Lockwasher		
7	5037709	Foundation Mounting Bolt		

PART NOTES:

- [1] - Gearbox to Evaporator
- [2] - No Longer Available
- [3] - Allen Head

QF2300, RFC2385

QF2300 - PANELS



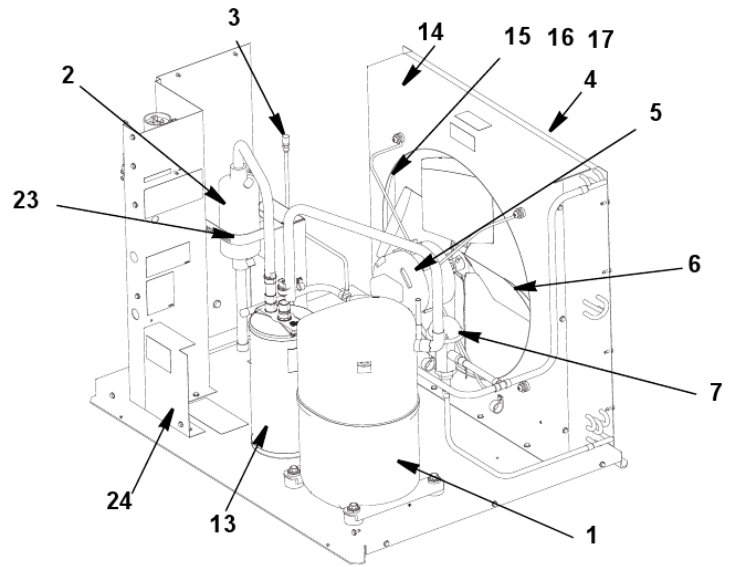
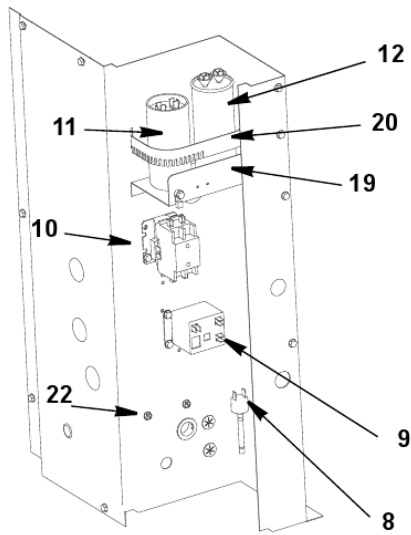
QF2300, RFC2385

QF2300 - PANELS

#	PART #	DESCRIPTION	QTY	Note
1	6050971	Front Panel Assembly		
2	7628593	Left Side Panel		
3	6045271	Interior Support Panel		
4	6039841	Top Rail		
5	4303313	Top Cover		
6	6049301	Service Valve Panel		
7	6049861	Back Panel		
8	7628603	Right Side Panel		
9	6049231	Interior Front Top Support Channel		
10	5119019	Screw - #8 x 1.75"		
11	5573389	Washer - Nylon 0.171" x 0.38"		
12	5648279	Screw Retainer - Nylon #8		
13	5473049	Speed Nut - U Type 0.50" x 0.576"		
14	5202099	Screw - #10-24 x 0.50" PHIL		
15	9202509	Extruded Tape		

QF2300, RFC2385

RFC2385 - CONDENSING UNIT



QF2300, RFC2385

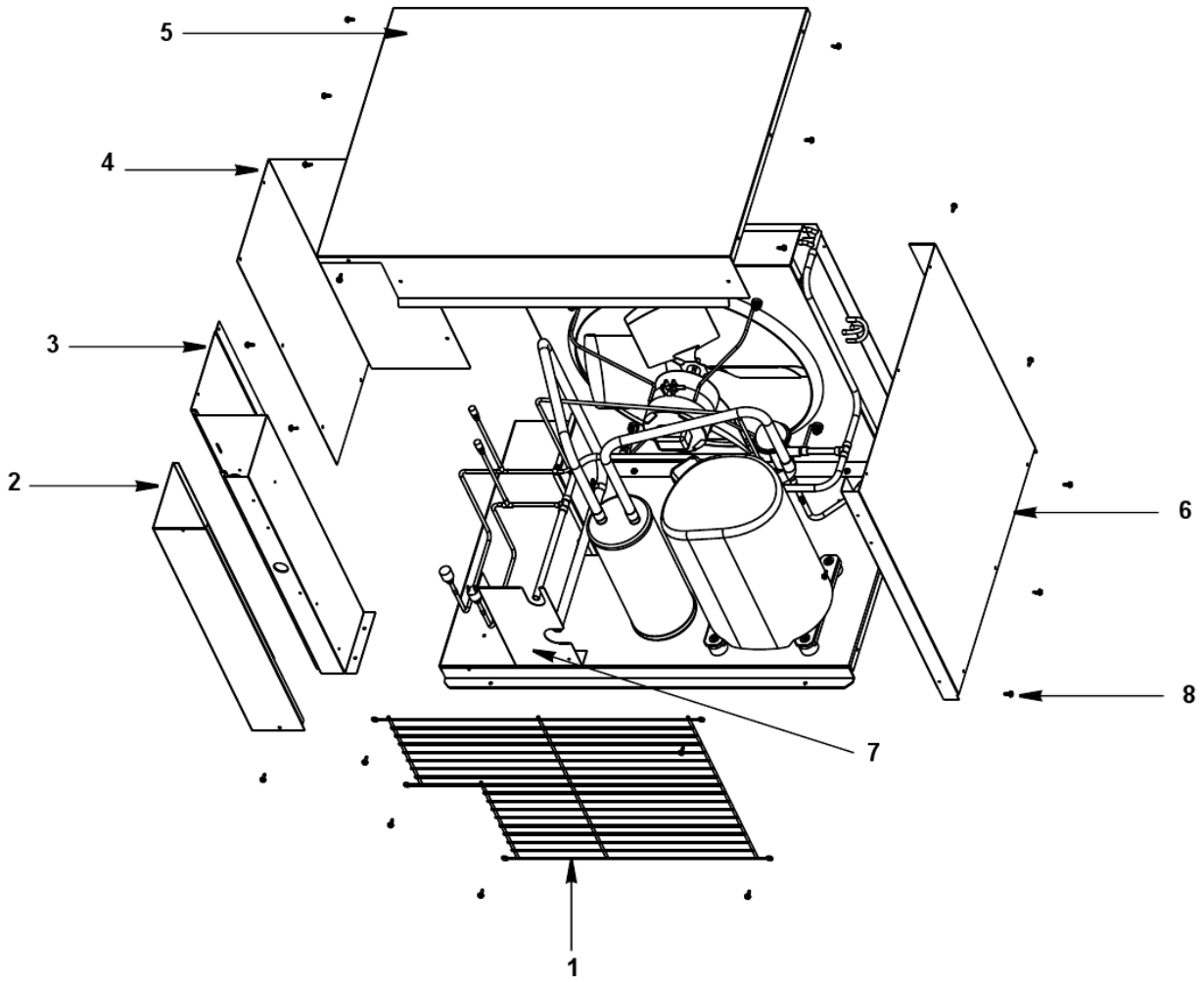
RFC2385 - CONDENSING UNIT

#	PART #	DESCRIPTION	QTY	Note
1		Compressor		
1a	7600563	Compressor 208-230V/60 Hz/1 Ph		
1b	7600573	Compressor 208-230V/60 Hz/3 Ph		
2	8250549	Suction Line Filter		
3	8373253	Access Valve		
4	8851393	Air-cooled Condenser		
5		Fan Motor		
5a	2000189	Fan Motor - 208-230V/60 Hz/1-3 Ph		
5b	2000589	Fan Motor - 230-415V/50 Hz/1-3 Ph		
6	2416113	Fan Blade		
7	000001982	Head Pressure Control Valve		
8	2001243	High Pressure Cut-out Control		
9	2007569	Start Relay - 208-230V/60 Hz/1 Ph		
10	2007869	Contactactor - 60 Hz/1 Ph		[1]
10a	2007879	Contactactor - 60 Hz/3 Ph		
11	000006455	Start Capacitor 60 Hz/1 Ph		
12	000000028	Run Capacitor - 208-230V/50-60 Hz/1 Ph		
13	000007280	Suction Accumulator		
14	6034491	Fan Shroud		
15	3006823	Fan Motor Mounting Bracket		
16	5033589	Mounting - Screw		
16a	5545119	Mounting - Lockwasher		
16b	5429529	Mounting - Hexnut		
17	5033589	Mounting - Screw		
17a	5545119	Mounting - Lockwasher		
17b	5573059	Mounting - Flatwasher		
17c	5429559	Mounting - Rubber Wellnut		
18	5202069	Screw - #10-24 x 0.50" HEX		[2]
19	6034981	Capacitor Mounting Bracket		
20	6021601	Capacitor Mounting Strap		
21	2006143	Terminal Block - 50 Hz - 3 Pole		[3]
22	5202169	Screw - #10-24 x 0.50" Ground		
23	000002252	Bracket		
24	6042261	Condensing Unit Tube Shield		
25	2007849	Compressor Wiring Harness 1 Phase		
25a	2033109	Compressor Wiring Harness 3 Phase		
26	2007829	Control Box Wiring Harness 1 Phase		
26a	2007839	Control Box Wiring Harness 3 Phase		

PART NOTES:

- [1] - Discontinued
- [2] - Used for Panel Attachment
- [3] - 50 Hz Only

RFC2385 - CONDENSING UNIT - PANELS



QF2300, RFC2385

RFC2385 - CONDENSING UNIT - PANELS

#	PART #	DESCRIPTION	QTY	Note
1	3406893	Condenser Fan Guard		
2	6040171	Control Box Cover		
3	6037071	Control Box Panel		
4	6037291	Left Side Panel		
5	6034751	Cover Top		
6	6034701	Right Side Panel		
7	6042261	Condensing Unit Tube Shield		
8	5202069	Screw - #10-24 x 0.50" HEX		