



***Manitowoc***  
**Foodservice**  
**Parts Manual**

For more Parts Information:

<https://manitowocfsg.sysonline.com/Default.aspx>

# TABLE OF CONTENTS

Manitowoc Foodservice [Updated: Sep. 30, 2013]

Manitowoc - Ice & Related

Parts Catalog

Ice Machine

Q Series

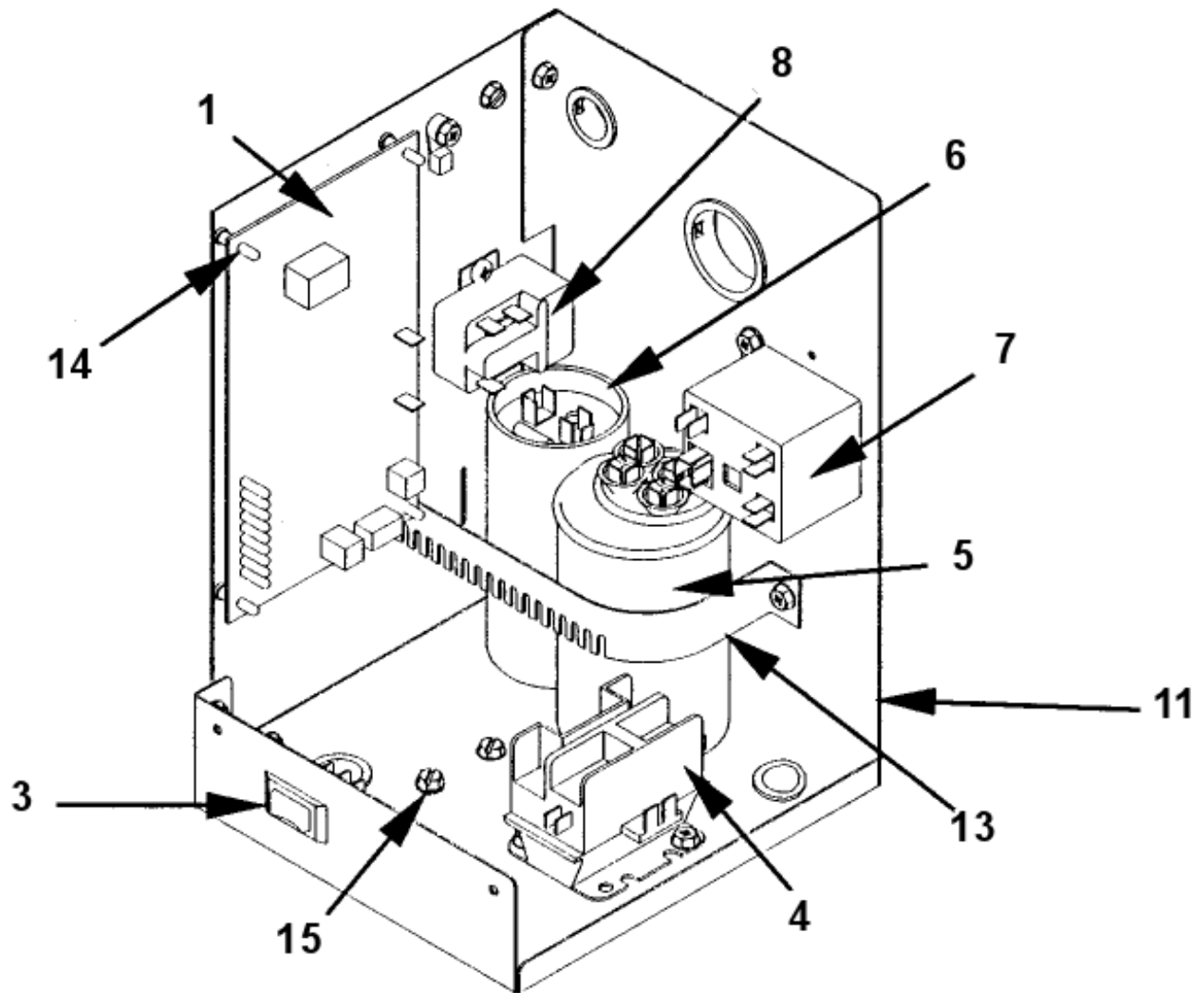
Q Model - Flake/Nugget

QF0800, QC0700

QF800/QC700 - Control Box Components .....	1
QF800/QC700 - Evaporator Assembly .....	3
QF800/QC700 - Refrigeration Compartment - Common Components .....	5
QF800/QC700 - Gearmotor Assembly .....	8
QF800/QC700 - Refrigeration Compartment - Air-cooled Components .....	10
QF800/QC700 - Refrigeration Compartment - Water-cooled Components .....	12
QF800/QC700 - Panels .....	14

# QF0800, QC0700

## QF800/QC700 - CONTROL BOX COMPONENTS



# QF0800, QC0700

## QF800/QC700 - CONTROL BOX COMPONENTS

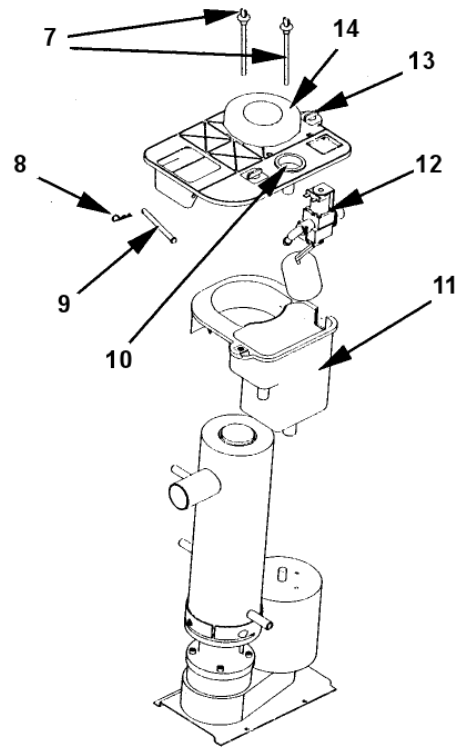
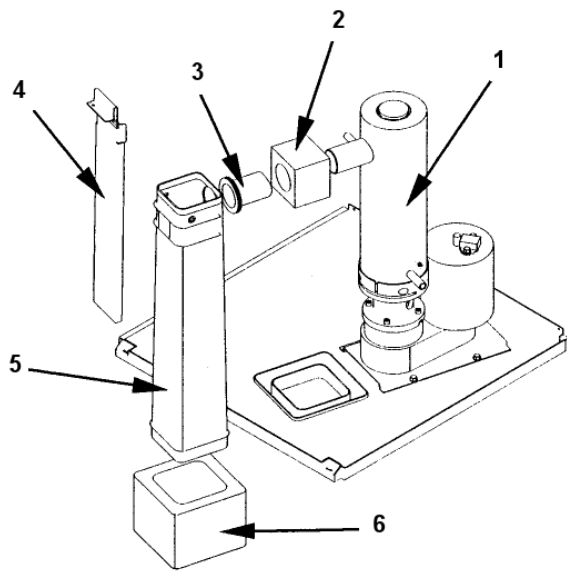
#	PART #	DESCRIPTION	QTY	Note
1	000005624	Control Board		[1]
2	2511493	10 Amp Fuse		
3	2301513	Toggle Switch		
3a	2000663	Wiring Harness - Toggle Switch		
4		Contactor		
4a	2006569	Contactor - 115V/60 Hz/1 Ph		
4b	2006579	Contactor - 230V/50-60 Hz/1 Ph		
5		Run Capacitor		
5a	2010143	Run Capacitor - 115V/60 Hz/1 Ph		
5b	000000026	Run Capacitor - 230V/50-60 Hz/1 Ph		
6		Start Capacitor		
6a	8503143	Start Capacitor - 115V/60 Hz/1 Ph		
6b	2001043	Start Capacitor - 230V/50 Hz/1 Ph		
6c	000006455	Start Capacitor 60 Hz/1 Ph		
7		Compressor Relay		
7a	2007623	Start Potential Relay - 115V/60 Hz/1 Ph		
7b	2007633	Start Potential Relay - 230V/50-60 Hz/1 Ph		
7c	2007643	Start Potential Relay - 230V/60 Hz/1 Ph		
8		Gear Motor Contactor		
8a	2006589	Contactor - 115V/60 Hz/1 Ph		
8b	2006599	Contactor - 230V/50-60 Hz/1 Ph		
9		Gear Motor Capacitor		
9a	2009223	Capacitor - 115V/60 Hz/1 Ph		
9b	2009383	Capacitor - 230V/50 Hz/1 Ph		
10	2000373	Compressor Wiring Harness		
11	6043781	Control Box		
12	6043791	Control Box Cover		
13	6021601	Capacitor Mounting Strap		
14	4302253	Control Board Mounting Supports		
15	5202169	Screw - #10-24 x 0.50" Ground		
16	2006143	Terminal Block - 50 Hz - 3 Pole		

### PART NOTES:

[1] - for use with all voltages

# QF0800, QC0700

## QF800/QC700 - EVAPORATOR ASSEMBLY



# QF0800, QC0700

## QF800/QC700 - EVAPORATOR ASSEMBLY

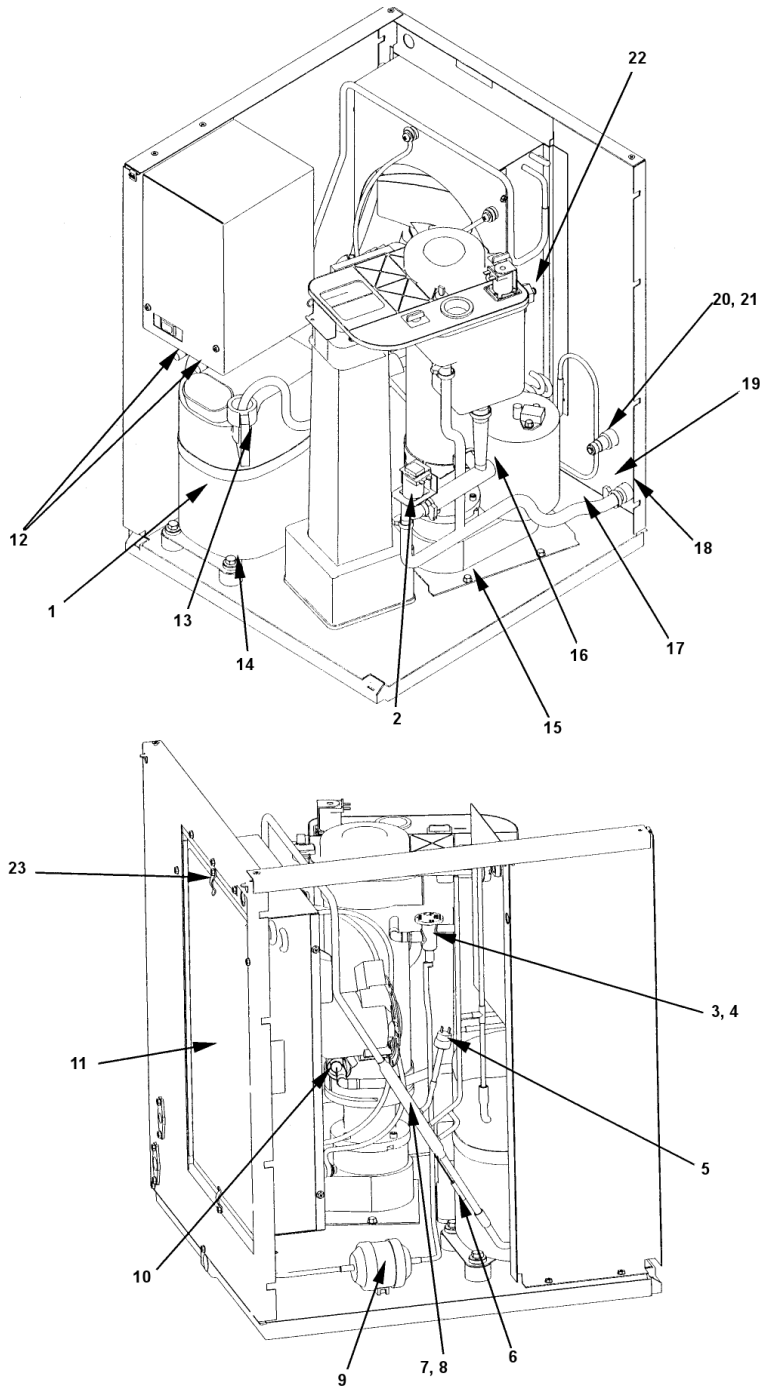
#	PART #	DESCRIPTION	QTY	Note
1		Evaporator Assembly		
1a	3000023	Evaporator - Flake Ice		
1b	3000033	Evaporator - Chiplet Ice		
2	3000533	Insulation		[1]
3	4000393	Vinyl Adapter		[1]
4	7600683	Bin Level Sensor		
5	4000183	Ice Chute		
6	3000853	Insulation		[2]
7	7600693	Water Level Probe		
8	3712031	Hairpin Clip		
9	5000313	Clevis Pin		
10	5000303	Plug		
11	7600703	Water Reservoir		
12	2000443	Water Float Valve Body		
12a	2000453	Water Valve - 115V/60 Hz/1 Ph Coil Only		
12b	2000463	Water Valve - 208-230V/50-60 Hz/1 Ph Coil Only		
12c	4003173	Water Valve Foam Seal		
13	5650863	Wing Nut		
13a	5650853	Receptacle		
14	4000353	Water Reservoir Cover		

### PART NOTES:

- [1] - Discharge Spout
- [2] - Ice Chute requires 2 pieces

# QF0800, QC0700

## QF800/QC700 - REFRIGERATION COMPARTMENT - COMMON COMPONENTS



# QF0800, QC0700

## QF800/QC700 - REFRIGERATION COMPARTMENT - COMMON COMPONENTS

#	PART #	DESCRIPTION	QTY	Note
1		Compressor		
1a	7600713	Compressor - Copeland - 115V/60 Hz/1 Ph		
1b	7600733	Overload for Compressor		
1c	7600723	Compressor - Copeland - 230V/50 Hz/1 Ph		
1d	7600743	Overload for Compressor		
1e	7601143	Compressor - Copeland - 230V/60 Hz/1 Ph		
1f	8200003	Overload for Compressor		
2		Water Dump Valve		
2a	000001767	Water Dump Valve - 115V/60 Hz		
2b	000001768	Water Dump Valve - 208-230V/50-60 Hz		
3	7600753	Expansion Valve		
4	4000573	Expansion Valve Body Insulation Boot		
5	2001243	High Pressure Cut-out Control		
6	2001293	Thermistor		
7	8310153	Manifold Strainer - 3 Hole		[1]
8	8250963	Manifold Strainer - 4 Hole		[2]
9	8930259	Drier		
10	4007203	Valve Insulation Boot - Bulb		[3]
10a	3000503	Strap - Expansion Valve Bulb - 0.5"		
10b	5650529	Clamp - Expansion Valve Bulb		
11	4040233	Air Filter		[4]
12	8373263	Refrigeration Service Valve Assembly		
13	4000883	Suction Line Insulation		
14		Compressor Mounting		
14a	8503069	Mounting - Rubber Grommet		
14b	5035729	Mounting - Bolt		
14c	8503949	Mounting - Sleeve		
15	5000293	Screw		
16	4000383	Vinyl Drain Tubing		
17	4000373	Vinyl Drain Tubing		
18	8706083	Female Wing Adapter - 0.50"		
19	5650649	Hose Clamp - 0.759"/0.848" ID		
20	8706093	Female Wing Adapter - 0.375"		
21	1360961	Male Connector		
22	5000233	Water Inlet Fitting		
22a	5000243	Quick Disconnect Fitting		
23	5650699	Air Filter Clip		
24	4420291	Vinyl Tube - 0.25" OD		
25	6043601	Water Inlet Tubing Insulation		
26	5000533	Elbow		

### PART NOTES:

[1] - water



# QF0800, QC0700

## QF800/QC700 - REFRIGERATION COMPARTMENT - COMMON COMPONENTS

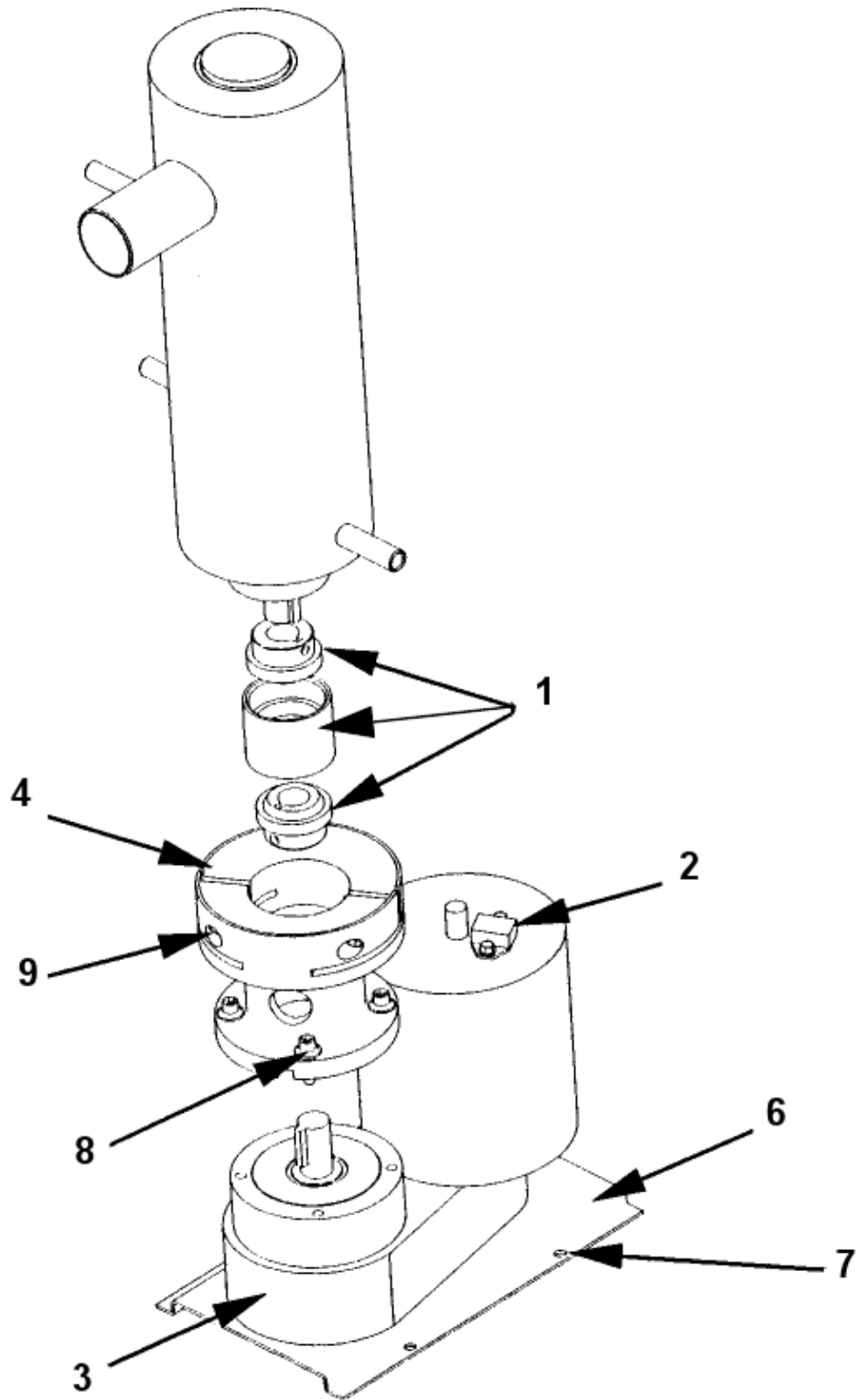
#	PART #	DESCRIPTION	QTY	Note
---	--------	-------------	-----	------

**PART NOTES:**

- [2] - air
- [3] - \pages from 400720\_08.jpg" width=923 height=583>
- [4] - Air-Cooled Condenser Only

# QF0800, QC0700

## QF800/QC700 - GEARMOTOR ASSEMBLY



# QF0800, QC0700

## QF800/QC700 - GEARMOTOR ASSEMBLY

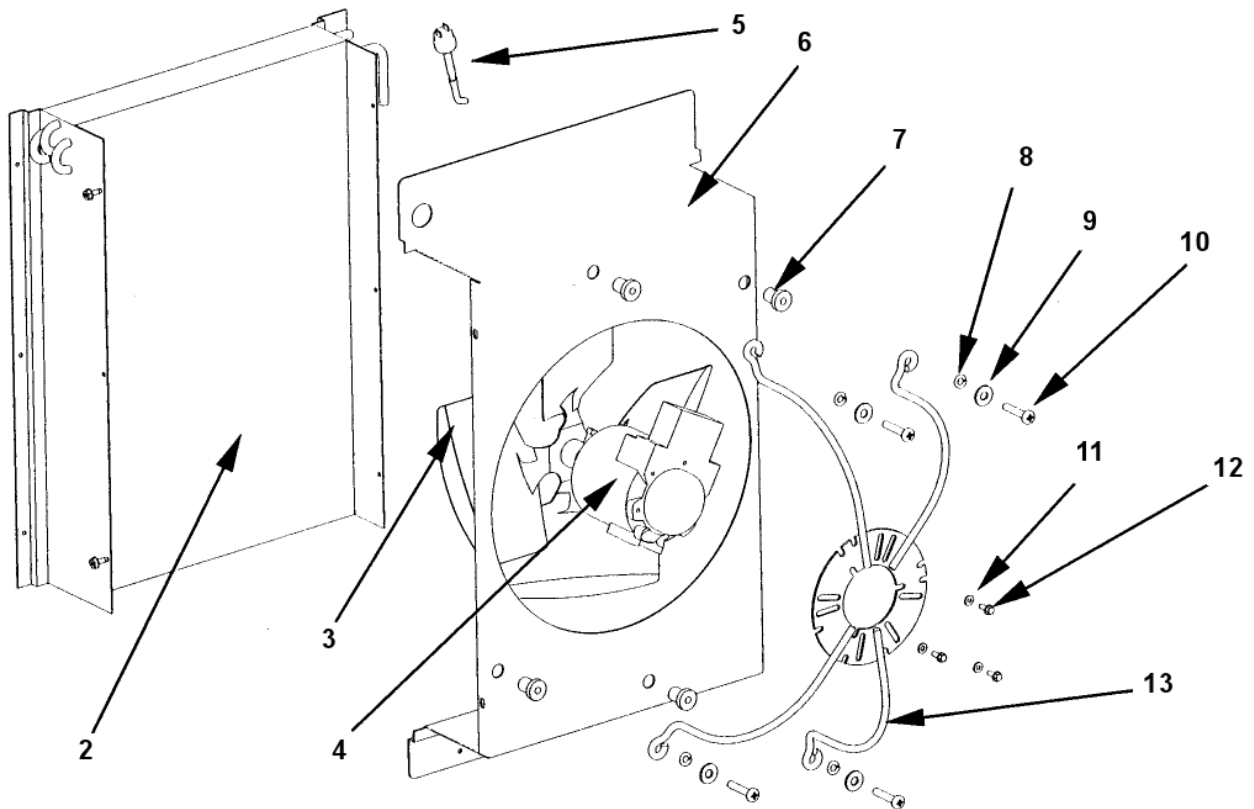
#	PART #	DESCRIPTION	QTY	Note
1	000003060	Coupler		
2	2000433	Gearmotor Speed Sensor		
3		Gear Box Motor Assembly		
3a	000000342	Gearbox - 115V/60 Hz/1 Ph		
3b	000000343	Gearbox - 230V/50 Hz/1 Ph		
3c	000000344	Gearmotor - 230V/60 Hz/1 Ph		
4	000001742	Evaporator Foundation		
5	4000583	Evaporator Suction Line Outlet Insulation Boot		
6	6040821	Gearbox Assembly Mounting Bracket		
7	5000293	Screw		
8	5000269	Screw		[1]
8a	5573049	Flatwasher		
8b	5545119	Mounting - Lockwasher		
9	5000273	Bolt		

### PART NOTES:

[1] - Allen Head

# QF0800, QC0700

## QF800/QC700 - REFRIGERATION COMPARTMENT - AIR-COOLED COMPONENTS



# QF0800, QC0700

## QF800/QC700 - REFRIGERATION COMPARTMENT - AIR-COOLED COMPONENTS

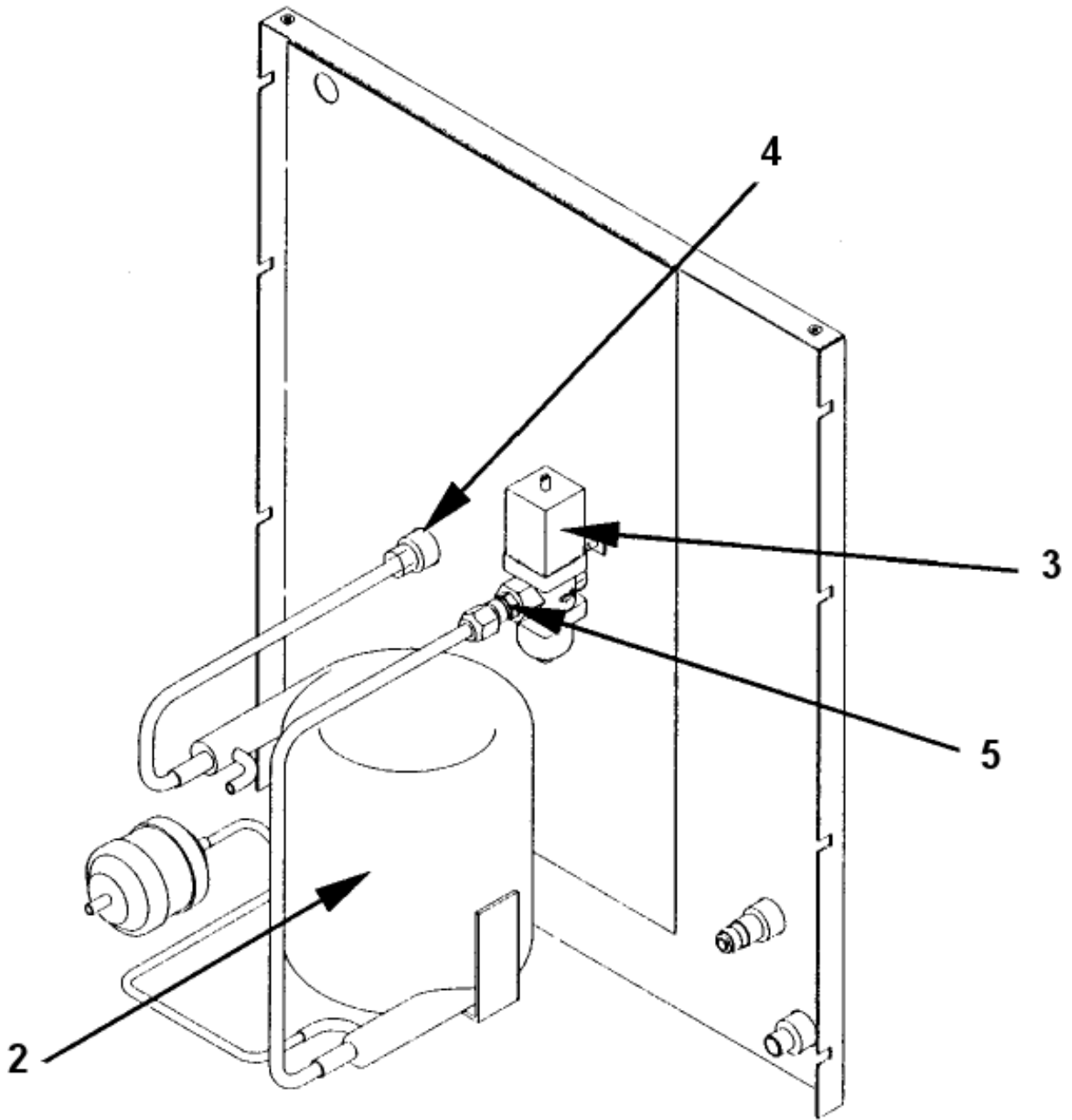
#	PART #	DESCRIPTION	QTY	Note
1		Compressor		[1]
2	8851243	Air Condenser		
3	2416203	Fan Blade		
4		Fan Motor		
4a	2412929	Fan Motor 115V/60 Hz/1 Ph		
4b	2412939	Fan Motor 208-230V/50-60 Hz		
4c		Air Filter		
5	2001263	Fan Cycling Control - 200-250 psig		[2]
6	6041741	Fan Shroud		
7	5429559	Mounting - Rubber Wellnut		
8	5545109	Lockwasher		
9	5573059	Mounting - Flatwasher		
10	5033589	Mounting - Screw		
11	5504269	Flatwasher #8		
12	5025599	Screw - #8-36 x 0.375"		
13	3406623	Fan Motor Bracket		

### PART NOTES:

- [1] - See Common Components
- [2] - \pages from 200126\_09.jpg" width=150 height=306>

# QF0800, QC0700

## QF800/QC700 - REFRIGERATION COMPARTMENT - WATER-COOLED COMPONENTS



# QF0800, QC0700

## QF800/QC700 - REFRIGERATION COMPARTMENT - WATER-COOLED COMPONENTS

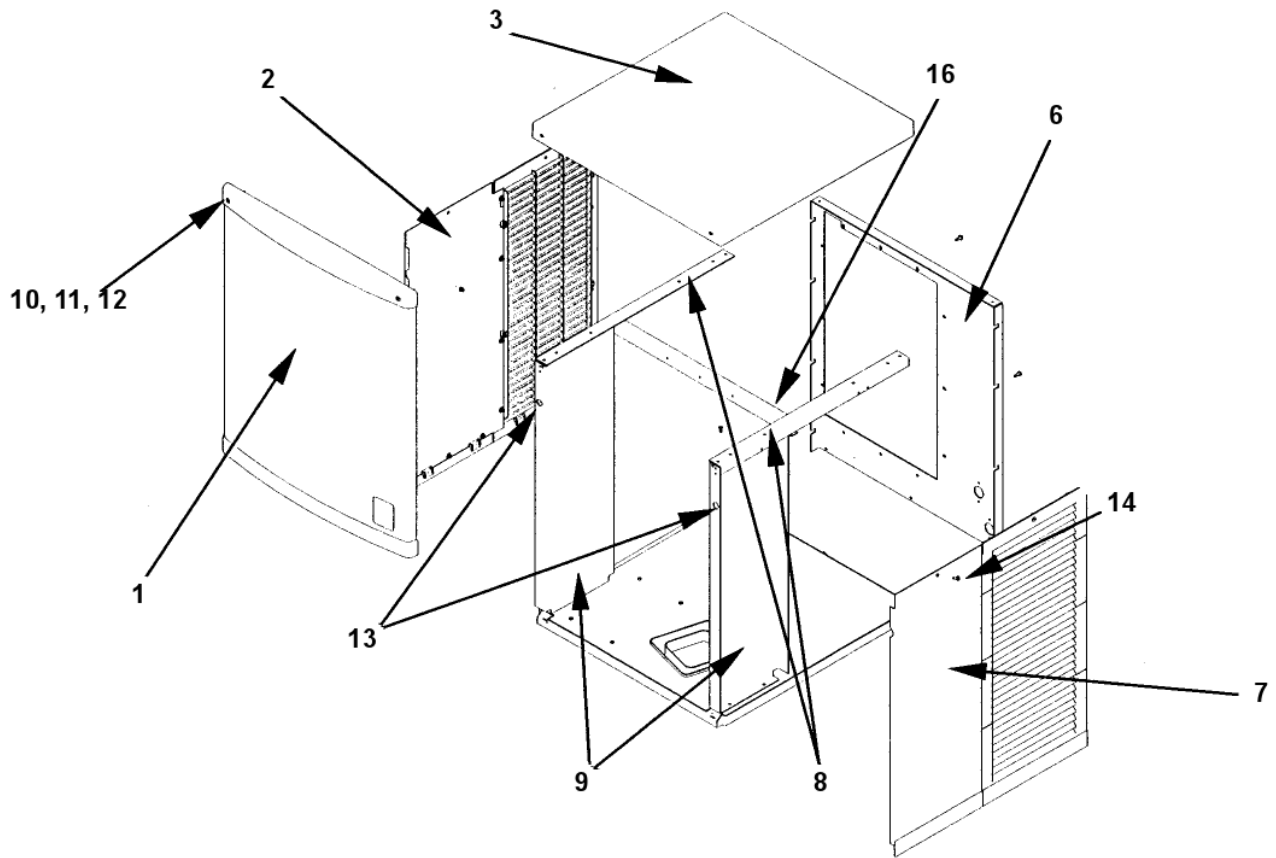
#	PART #	DESCRIPTION	QTY	Note
1		Compressor		[1]
2	8865323	Water-Cooled Condenser		
3	8372069	Water Regulating Valve		
4	8706083	Female Wing Adapter - 0.50"		
5	8332023	Water Coupling Connection - 0.375" NPT		

### PART NOTES:

[1] - Refer to COMMON PARTS Page

# QF0800, QC0700

## QF800/QC700 - PANELS





# QF0800, QC0700

## QF800/QC700 - PANELS

#	PART #	DESCRIPTION	QTY	Note
1	7628323	Front Panel Assembly		
2	7628333	Left Side Panel		
3	4302993	Top Cover		
4	6023751	Air Baffle		
5	4040233	Air Filter		
6	6041771	Back Panel, Air		
6	6043231	Back Panel, Water		
7	7628343	Right Side Panel		
8	6039841	Top Rail		
9	6038581	Interior Support Panel		
10	5119019	Screw - #8 x 1.75"		
11	5573389	Washer - Nylon 0.171" x 0.38"		
12	5648279	Screw Retainer - Nylon #8		
13	5473049	Speed Nut - U Type 0.50" x 0.576"		
14	5202099	Screw - #10-24 x 0.50" PHIL		
15	9202509	Extruded Tape		
16	6041391	Support Angle		