



Manitowoc
Foodservice
Parts Manual

For more Parts Information:

<https://manitowocfsg.sysonline.com/Default.aspx>

TABLE OF CONTENTS

Manitowoc Foodservice [Updated: Sep. 30, 2013]

Manitowoc - Ice & Related

Parts Catalog

Ice Machine

Q Series

Q Model - Flake/Nugget

QF0400

QF0400 - Control Box Components 1

QF0400 - Evaporator Assembly 3

QF0400 - Refrigeration Compartment - Common Components 5

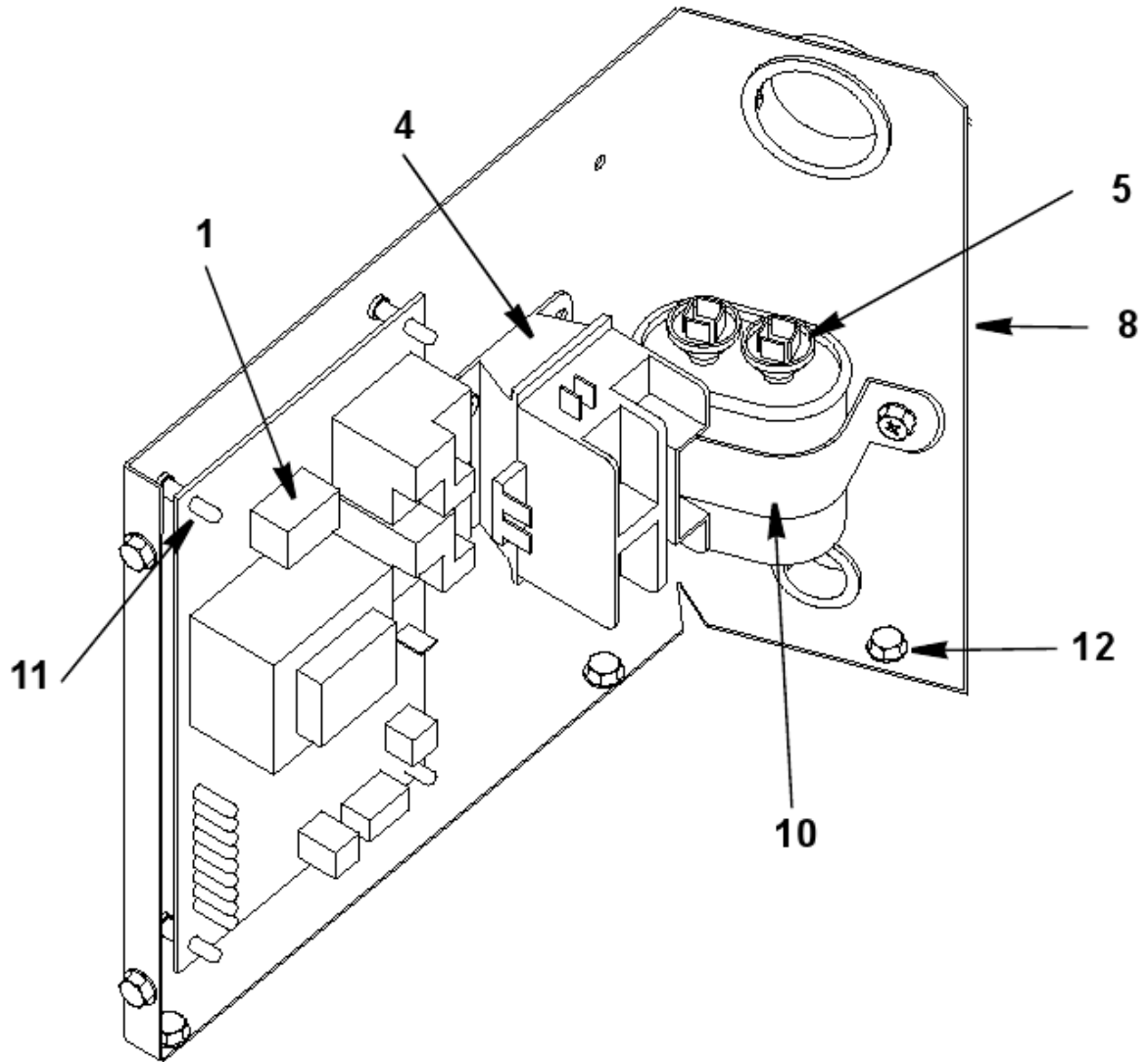
QF0400 - Gearbox / Gearmotor Assembly 8

QF0400 - Refrigeration Compartment - Air-cooled Components 10

QF0400 - Panels 12

QF0400

QF0400 - CONTROL BOX COMPONENTS



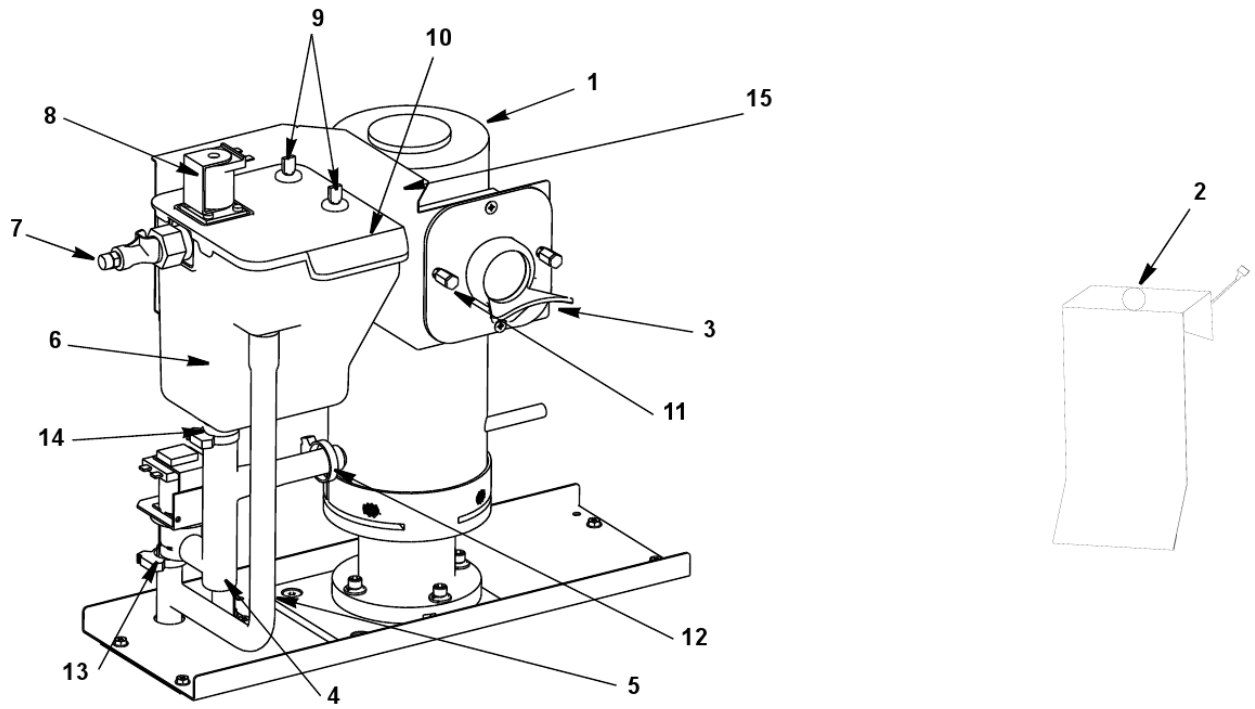
QF0400

QF0400 - CONTROL BOX COMPONENTS

#	PART #	DESCRIPTION	QTY	Note
1	000005624	Control Board		
2	2511493	10 Amp Fuse		
3	2301513	Toggle Switch		
3a	2001113	Wiring Harness - Toggle Switch		
4		Contactor		
4a	2006589	Contactor - 115V/60 Hz/1 Ph		
4b	2006599	Contactor - 230V/50-60 Hz/1 Ph		
5	000000945	Gearmotor - Run Capacitor - 115-230V/50-60 Hz/1 Ph		
6	2001283	Wiring Harness Neutral		
7	000000492	Wiring Harness Main		
8	6046601	Control Box		
9	6046611	Control Box Cover		
10	6024951	Capacitor Bracket		
11	4302253	Control Board Mounting Supports		
12	5202169	Screw - #10-24 x 0.50" Ground		

QF0400

QF0400 - EVAPORATOR ASSEMBLY



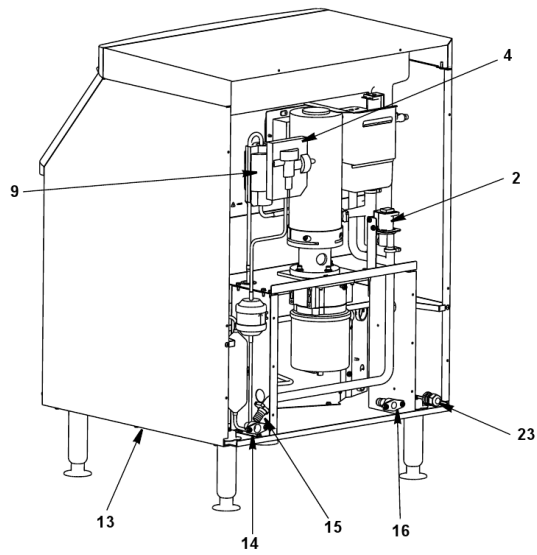
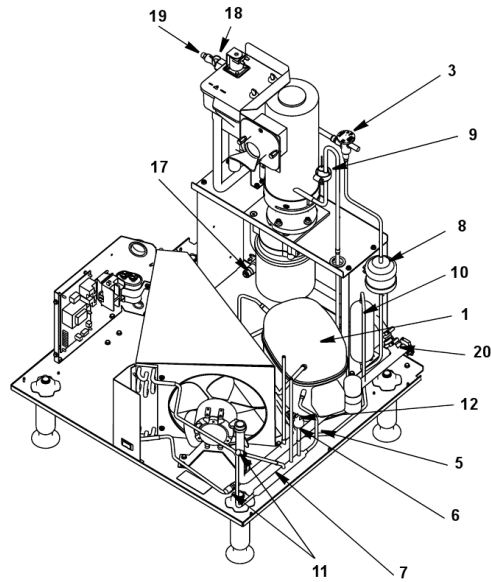
QF0400

QF0400 - EVAPORATOR ASSEMBLY

#	PART #	DESCRIPTION	QTY	Note
1		Evaporator Assembly		
1a	3000583	Evaporator - Before Serial Number 110638713		
1b	000000493	Evaporator - After Serial Number 110638713		
2	7601063	Bin Level Sensor		
3	4003733	Ice Diverter		
3a	5000543	O-Ring		
4	4004133	Drain Tubing		
5	4004203	Reservoir Overflow Tubing		
5a	6043081	Outlet Screen		
6	4003053	Water Reservoir		
7	5000243	Quick Disconnect Fitting		
8	2000443	Water Float Valve Body		
8a	2000453	Water Valve - 115V/60 Hz/1 Ph Coil Only		
8b	2000463	Water Valve - 208-230V/50-60 Hz/1 Ph Coil Only		
8c	5000233	Water Inlet Fitting		
9	7600693	Water Level Probe		
10	4003093	Water Reservoir Cover		
11	5305123	Thumbscrew SS - #8-32 x 0.44"		
12	5650649	Hose Clamp - 0.759"/0.848" ID		
13	5650709	Snap Clamp - 0.799"/0.899" ID		
14	5000493	Hose Clamp		
15	6058621	Support, Water Reservoir		
15a	6058631	Straps, Water Reservoir		

QF0400

QF0400 - REFRIGERATION COMPARTMENT - COMMON COMPONENTS



QF0400

QF0400 - REFRIGERATION COMPARTMENT - COMMON COMPONENTS

#	PART #	DESCRIPTION	QTY	Note
1		Compressor Before Serial Number 110638713		
1a	7601343	Compressor - Danfoss - 115V/60 Hz/1 Ph		[1]
1b	8251033	Start Relay - 115V/60 Hz/1 Ph		[1]
1c	8251023	Start Capacitor - 115V/60 Hz/1 Ph		[1]
1d	7601353	Compressor - Danfoss - 208-230V/50-60 Hz/1 Ph		[1]
1e	8251083	Start Relay/Overload Assembly		[1]
1f	8504433	Start Capacitor - 208-230V/50-60 Hz/1 Ph After Serial Number 110638713		[1]
1a	7601323	Compressor - Danfoss - 115V/60 Hz/1 Ph		[2]
1b	2002043	Current Relay with Overload - 115V/60 Hz/1 Ph		[2]
1c	2002033	Start Capacitor - 115V/60 Hz/1 Ph		[2]
1d	7601333	Compressor - Danfoss - 230V/50 Hz/1 Ph		[2]
1e	2004873	Current Relay with Overload - 230V/50 Hz/1 Ph		[2]
1f	2004863	Start Capacitor - 230V/50 Hz/1 Ph		[2]
2		Water Dump Valve		
2a	000001767	Water Dump Valve - 115V/60 Hz		
2b	000001768	Water Dump Valve - 208-230V/50-60 Hz		
3	7601093	Expansion Valve		
4	4000403	Valve Insulation Boot - Body		
5	2001293	Thermistor		
5a	5650773	Worm Drive Clamp		
6	2001243	High Pressure Cut-out Control		
7	8310163	Manifold Strainer		
8	8930259	Drier		
9	4000923	Valve Insulation Boot - Bulb		
9a	3000833	Strap - Expansion Valve Bulb - 0.375"		
9b	5650529	Clamp - Expansion Valve Bulb		
10	000008892	Receiver		
11	8373253	Access Valve		
12		Compressor Mounting		
12a	5004203	Mounting - Grommet		
12b	5000649	Mounting - Screw		
12c	5000629	Mounting - Sleeve		
12d	5000659	Mounting - Washer		
13	5202069	Screw - #10-24 x 0.50" HEX		
14	8706083	Female Wing Adapter - 0.50"		
15	5650709	Snap Clamp - 0.799"/0.899" ID		
16	8706093	Female Wing Adapter - 0.375"		
17	1360961	Male Connector		
18	5000233	Water Inlet Fitting		
19	5000243	Quick Disconnect Fitting		

QF0400

QF0400 - REFRIGERATION COMPARTMENT - COMMON COMPONENTS

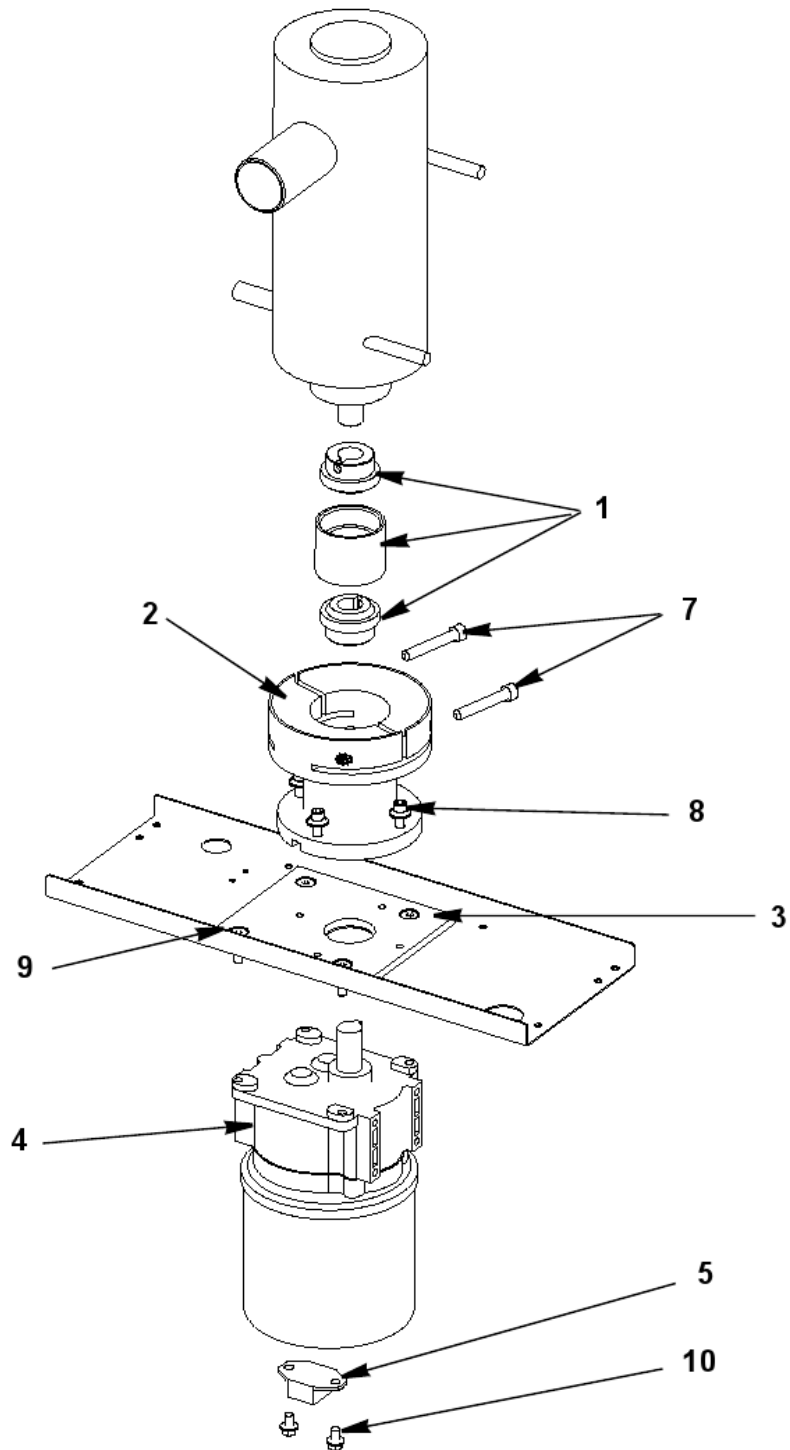
#	PART #	DESCRIPTION	QTY	Note
20	4004213	Tubing Drain Line		
20a	8390053	Union Connector		
20b	5650709	Snap Clamp - 0.799"/0.899" ID		
21	4420291	Vinyl Tube - 0.25" OD		
22	6039091	Water Inlet Tubing Insulation		
23	2502283	Strain Relief		
23a	2033013	Power Cord - 115V		
23b	2033023	Power Cord - 230V/50-60 Hz		
24	7601743	Strap for Reservoir Bracket		

PART NOTES:

- [1] - Before Serial Number 110638713
- [2] - After Serial Number 110638713

QF0400

QF0400 - GEARBOX / GEARMOTOR ASSEMBLY



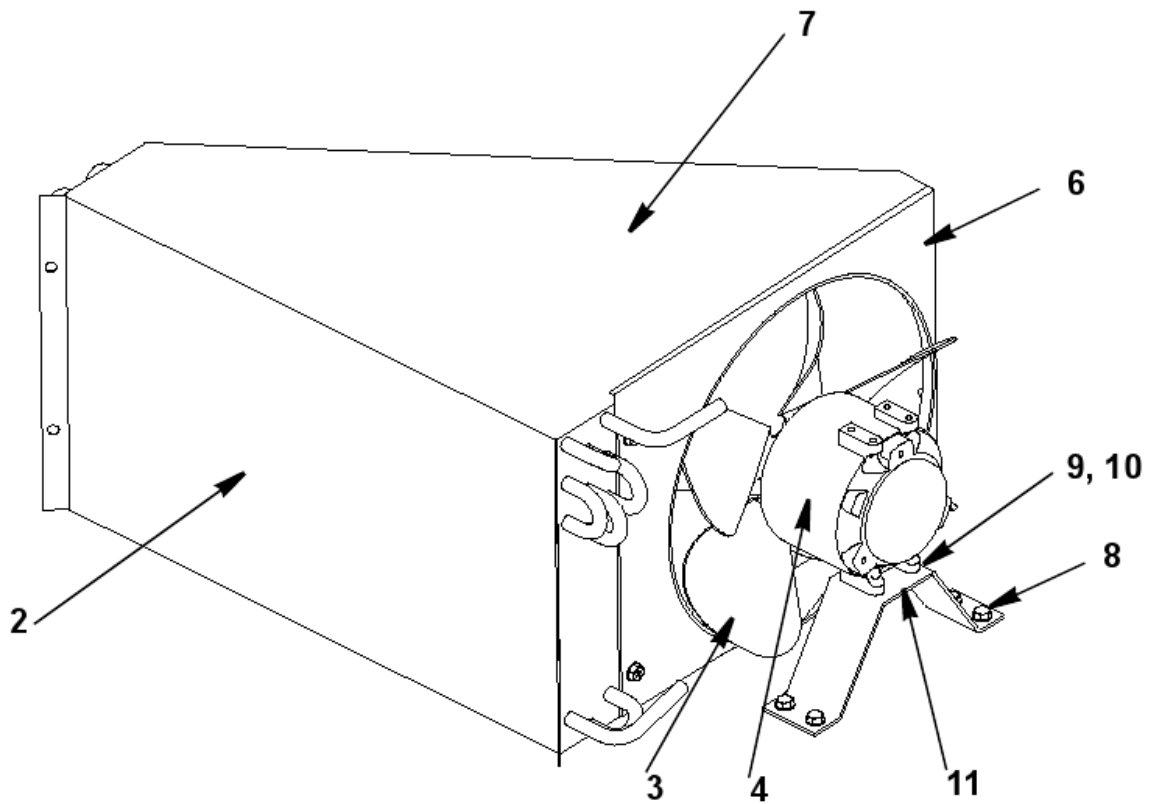
QF0400

QF0400 - GEARBOX / GEARMOTOR ASSEMBLY

#	PART #	DESCRIPTION	QTY	Note
1	000003060	Coupler		
2	000001742	Evaporator Foundation		
3	3001293	Mounting Plate		
4		Gearmotor Assembly		
4a	2000783	Gearmotor - 115V/60 Hz/1 Ph		
4b	2001173	Gearmotor - 230V/50 Hz/1 Ph		
5	2000433	Gearmotor Speed Sensor		
6		Gearmotor Wiring Harness		
6a	000000490	Wiring Harness - Gearmotor - 115V		
6b	000000489	Wiring Harness - Gearmotor - 230V		
7	5000273	Bolt		
8	5000269	Allen Head - Screw		
8a	5573049	Flatwasher		
8b	5545119	Mounting - Lockwasher		
9	5000639	Mounting Plate - Screw		
10	5000293	Screw		

QF0400

QF0400 - REFRIGERATION COMPARTMENT - AIR-COOLED COMPONENTS



QF0400

QF0400 - REFRIGERATION COMPARTMENT - AIR-COOLED COMPONENTS

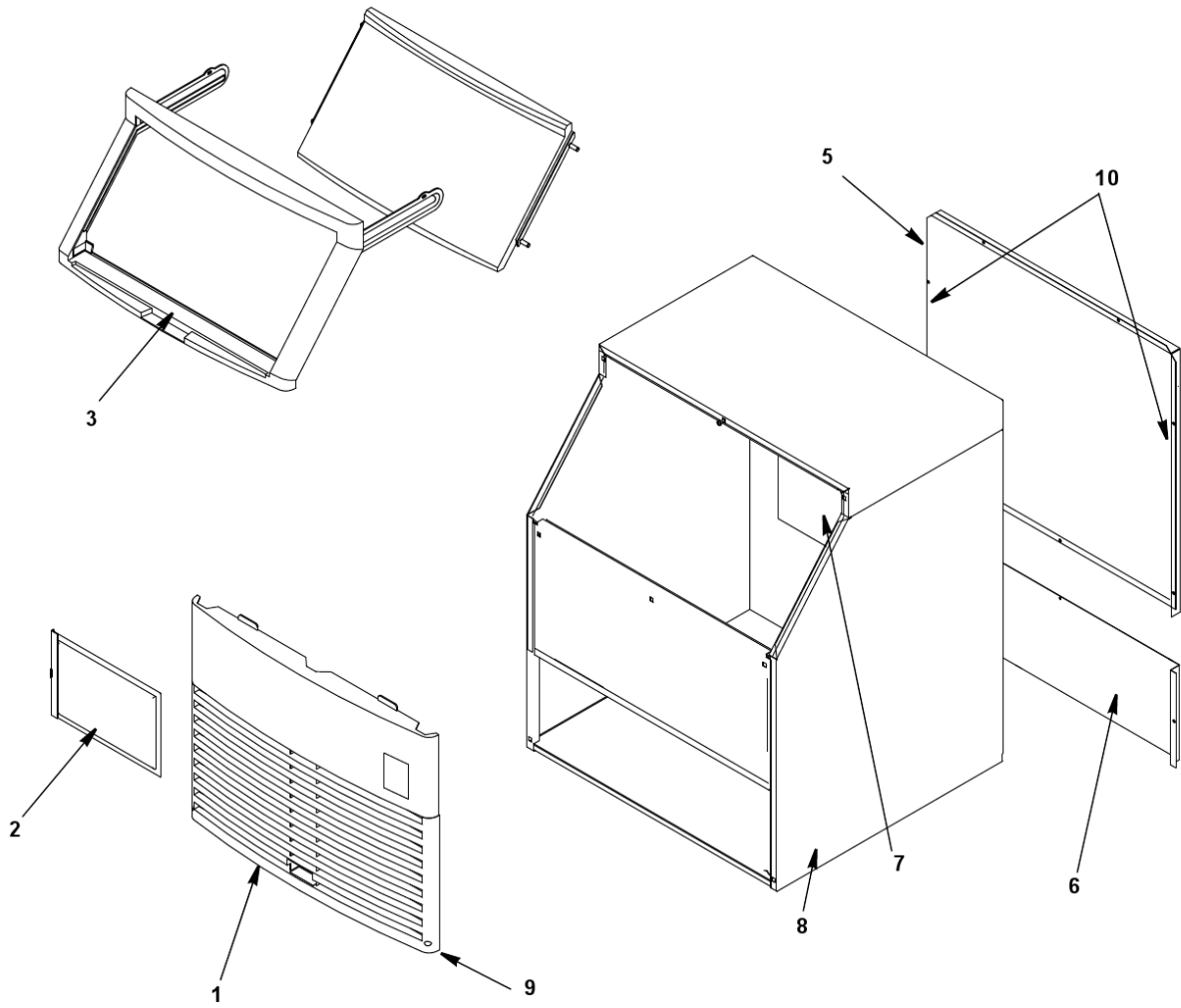
#	PART #	DESCRIPTION	QTY	Note
1		Compressor		[1]
2	8851323	Air Condenser		
3	2416253	Fan Blade		
4		Fan Motor		
4a	000000518	Fan Motor - 115V/60 Hz /1 Ph		
4b	000000519	Fan Motor - 208-230V/50-60 Hz		
5	7629143	Air Filter		
6	4004233	Fan Shroud		
7	3001263	Condenser Shroud		
8	5202329	Screw - #10-24 x 0.25" PH		
9	5025599	Screw - #8-36 x 0.375"		
10	5475079	Speed Nut - 0.25" x 20		
11	6047461	Fan Motor Bracket		

PART NOTES:

[1] - Refer to COMMON PARTS PAGE

QF0400

QF0400 - PANELS



QF0400

QF0400 - PANELS

#	PART #	DESCRIPTION	QTY	Note
1	7629153	Front Panel Assembly		
2	7629143	Air Filter		
3	040001716	Bin Door & Door Frame Assembly		
4	3302603	Ice Scoop		
5	6047841	Back Panel - Upper		
6	6047181	Back Panel - Lower		
7	7601103	Evaporator Access Panel		
8	7601113	Cabinet Assembly		
9	5202239	Front Cover Screw		
10	5202069	Screw - #10-24 x 0.50" HEX		