



***Manitowoc***  
**Foodservice**  
**Parts Manual**

For more Parts Information:

<https://manitowocfsg.sysonline.com/Default.aspx>

# TABLE OF CONTENTS

Manitowoc Foodservice [Updated: Sep. 30, 2013]

Manitowoc - Ice & Related

Parts Catalog

Ice Machine

Q Series

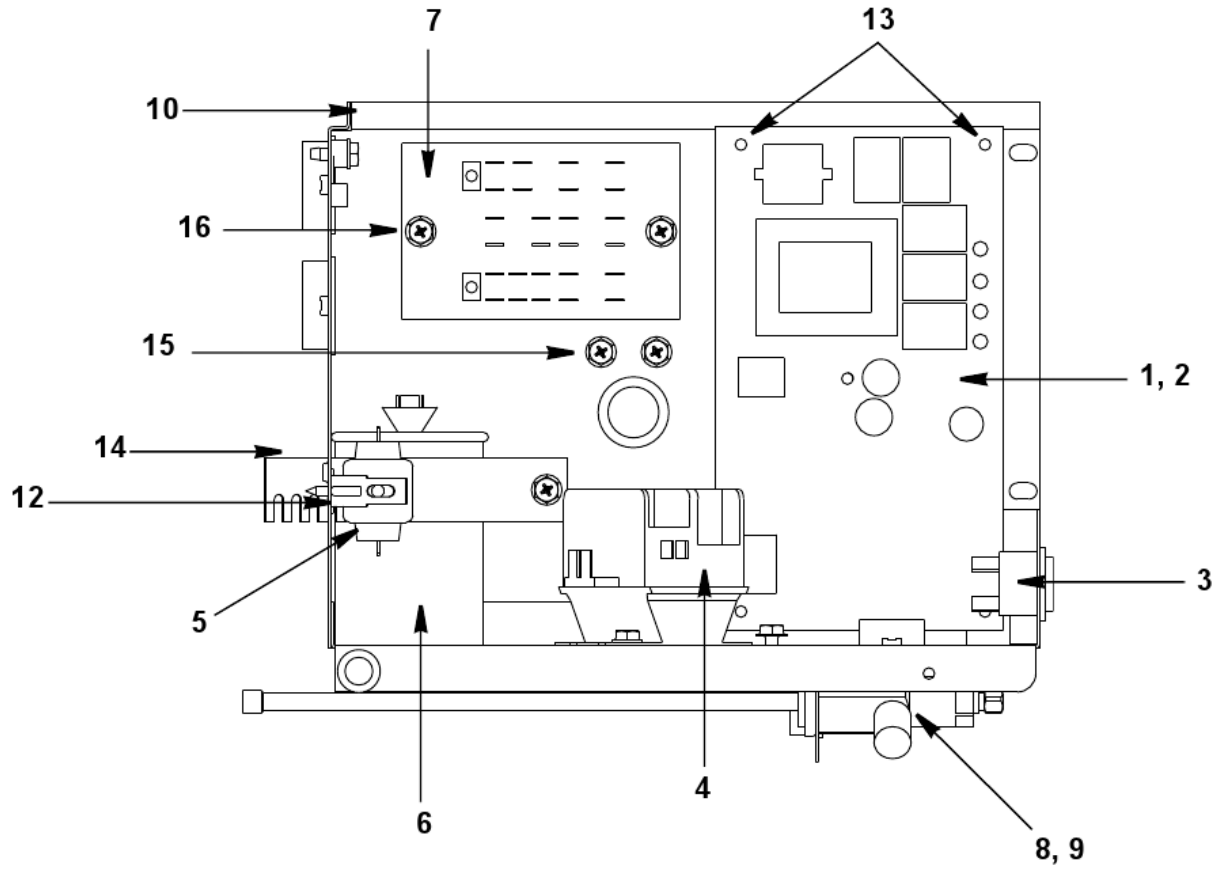
Q Model - Air, Water & Remote

Q0800, DC0862, JC0895

Q0800 - Control Box Components .....	1
Q0800 - Evaporator Compartment - Common Components .....	3
Q0800 - Refrigeration Compartment - Common Components .....	5
Q0800 - Refrigeration Compartment - Air-cooled Components .....	7
Q0800 - Refrigeration Compartment - Water-cooled Components .....	9
Q0800 - Refrigeration Compartment - Remote Components .....	11
Q0800 - Panels .....	13
DC0862 Dual Circuit Remote Condenser Components .....	15
JC0895 Remote Condenser Components .....	17

# Q0800, DC0862, JC0895

## Q0800 - CONTROL BOX COMPONENTS



# Q0800, DC0862, JC0895

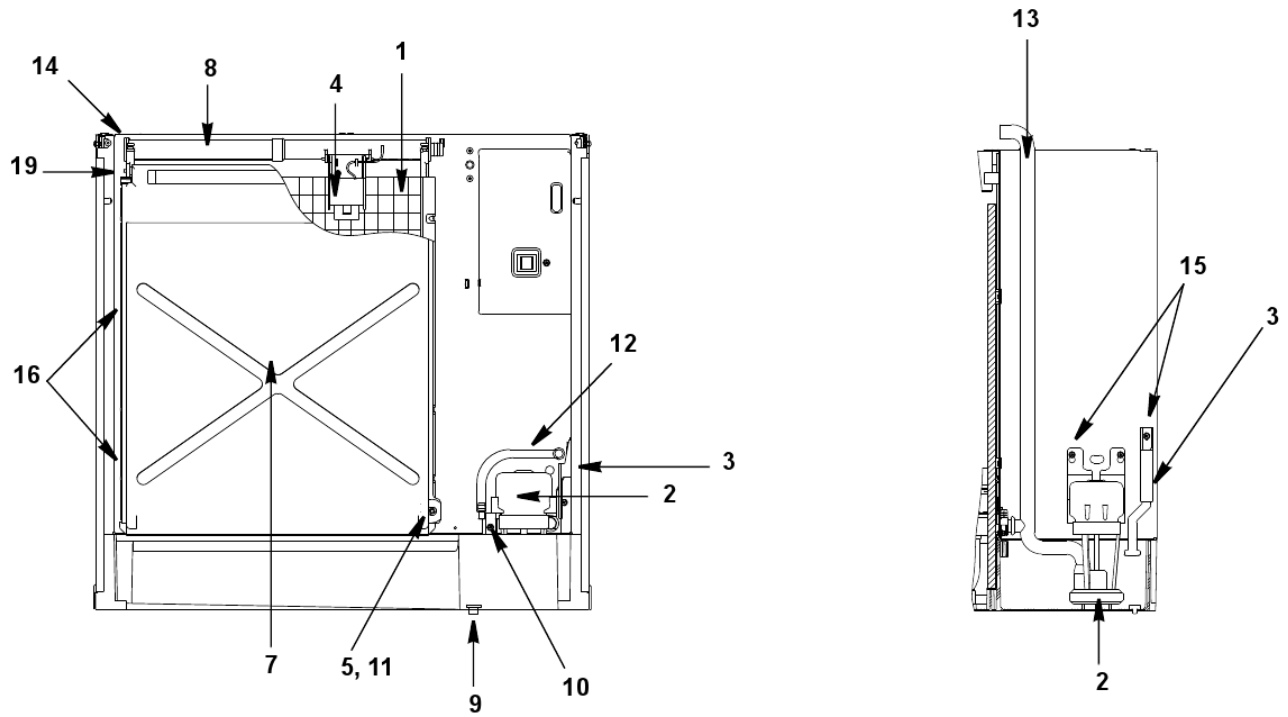
## Q0800 - CONTROL BOX COMPONENTS

#	PART #	DESCRIPTION	QTY	Note
1	7627823	Control Board		
2	2511003	7 Amp Fuse - Mounted on Control Board		
3	2301343	Toggle Switch Only		
3a	2032173	Toggle Switch with Wiring Harness Attached		
4		Contactor		
4a	2006599	Contactor - 230V/50-60 Hz/1 Ph		
4b	2006619	Contactor - 230V/60 Hz/3 Ph		
5	8504993	PTCR Compressor Starter		
6	2010133	Run Capacitor - 115-230V/50-60 Hz/1 Ph		[1]
7		Terminal Board with Wire Harness Attached		
7a	2032293	Wiring Harness - 230V/60 Hz/1 Ph		
7b	2032313	Wiring Harness - 208-230V/60 Hz/3 Ph		
7c		Wiring Harness - 230V/50 Hz/1 Ph		[2]
8	8373263	Refrigeration Service Valve Assembly		
9	5475039	Locknut - 0.375" - 18 NPS		
10	6025593	Control Box		
11	7628523	Control Box Cover		
12	8505013	PTCR Compressor Starter Mounting Bracket		
13	4302253	Control Board Mounting Supports		
14	6024951	Capacitor Bracket		
15	5202169	Screw - #10-24 x 0.50" Ground		
16	5202069	Screw - #10-24 x 0.50" HEX		

### PART NOTES:

- [1] - Used with Compressors P/N 7628153 and P/N 7628173
- [2] - No Longer Available

Q0800 - EVAPORATOR COMPARTMENT - COMMON COMPONENTS



# Q0800, DC0862, JC0895

## Q0800 - EVAPORATOR COMPARTMENT - COMMON COMPONENTS

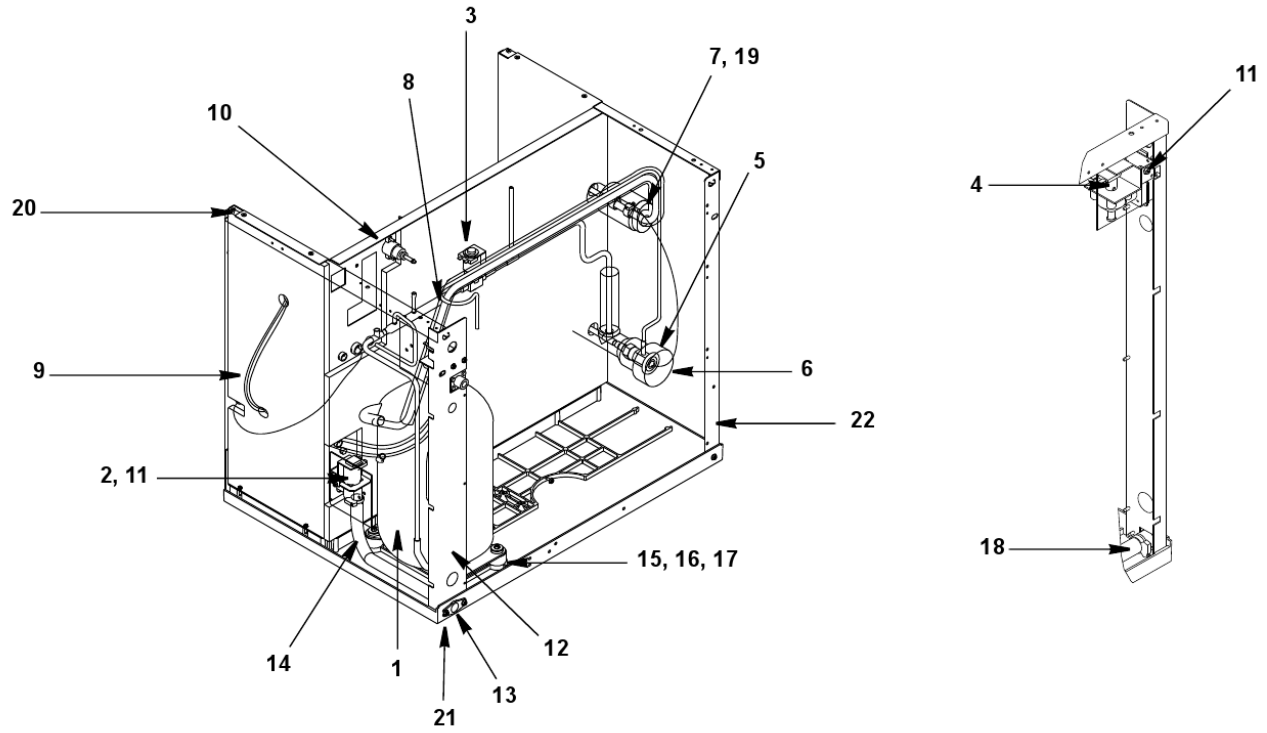
#	PART #	DESCRIPTION	QTY	Note
1		Evaporator Assembly		
1a	7624739	Evaporator - Regular Cube		
1b	7624729	Evaporator - Dice Cube		
1c	7624719	Evaporator - Half Dice Cube		
2		Water Pump - See Note for Usage		
2a	7626013	Water Pump - 230V/50-60 Hz		[1]
2b	1480279	Water Pump - 208-230V/50-60 Hz		[2]
3	2511293	Water Level Probe		
4	7627813	Ice Thickness Control Probe		
5	2301483	Magnetic Bin Switch		
6	7620543	Water Flow Clamp - Use on Regular Cube Evap. Only		
7	4008513	Water Curtain		
8	7624983	Water Distribution Tube - B/J/Q		
9	4300629	Water Trough Plug		
10	4303883	Water Inlet Flow Tube		
11	7628023	Water Curtain Magnet and Cap		
12	4421243	Drain Pump Vent Tube		
13	4421143	Tubing		
14	5000013	Thumbscrew - #8-32 x 0.375"		
15	5202069	Screw - #10-24 x 0.50" HEX		
16	5202189	Screw - #10-24 x 0.75"		
17	7628063	Base and Water Trough Repair Kit		
18	7626213	Evaporator Top Molding and Gasket Assembly		
19	7627763	Water Curtain Pin Assembly		

### PART NOTES:

- [1] - 60 Hz
- [2] - 50 Hz

# Q0800, DC0862, JC0895

## Q0800 - REFRIGERATION COMPARTMENT - COMMON COMPONENTS



# Q0800, DC0862, JC0895

## Q0800 - REFRIGERATION COMPARTMENT - COMMON COMPONENTS

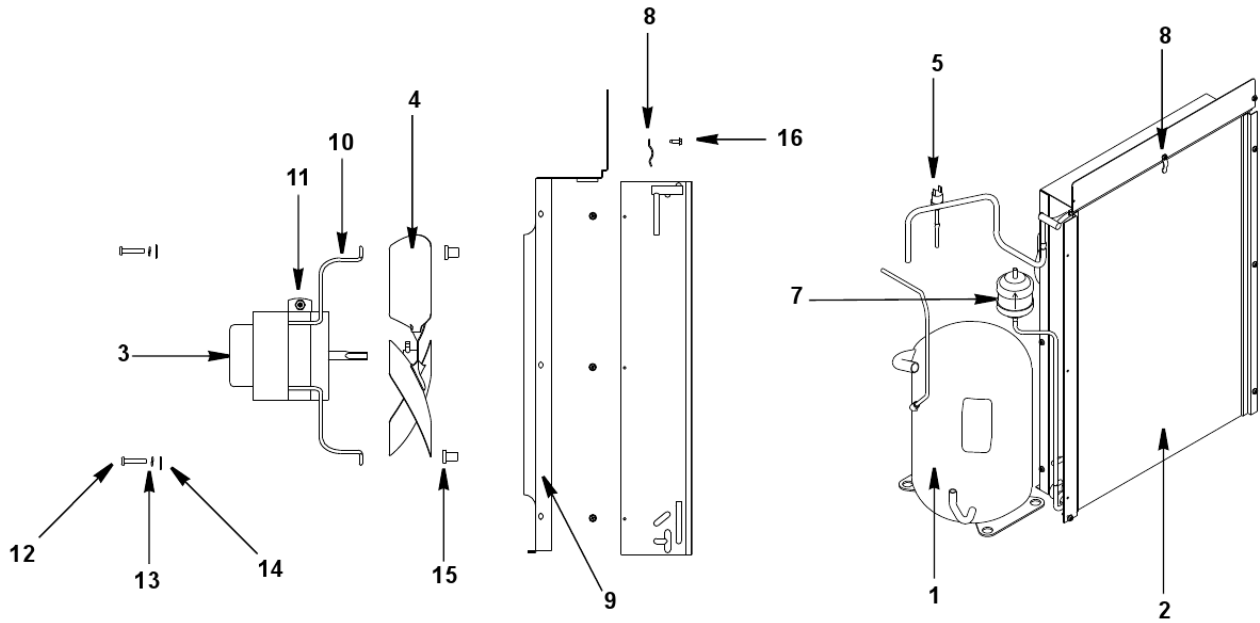
#	PART #	DESCRIPTION	QTY	Note
1		Compressor		
1a	7628153	Compressor - Tecumseh - 208-230V/60 Hz/1 Ph		
1b	7628163	Compressor - Tecumseh - 208-230V/60 Hz/3 Ph		
1c	7628173	Compressor - Tecumseh - 230V/50 Hz/1 Ph		
2		Water Dump Valve		
2a	000001768	Water Dump Valve - 208-230V/50-60 Hz		
3		Hot Gas Valve		
3a	7630111	Danfoss Solenoid Valve with Coil - 230V/50-60 Hz		
3b	000005157	Danfoss Solenoid Valve Coil Only - 230V/50-60 Hz		[1]
3c	2404483	Alco Solenoid Valve Coil Only - 230V/50 Hz		
4		Water Inlet Valve		
4a	000007966	Water Inlet Valve - 208-230V/50-60 Hz		
5	7600213	Expansion Valve		
6		Expansion Valve Body Insulation Boot		
6a	4007213	Valve Insulation Boot - Body		
6b	4000363	Valve Insulation Boot - Body		
7	4007203	Valve Insulation Boot - Bulb		[2]
8	8310153	Manifold Strainer - 3 Hole		
8a	8250963	Manifold Strainer - 4 Hole		
9	2078103	Water Pump Electrical Wire Lead		
10a	2355369	High Pressure Cut-out Control		[3]
10b	2001243	High Pressure Cut-out Control		[4]
11	6023541	Dump Valve/Water Inlet Valve Mounting Bracket		
12	6019531	Right Corner Post Weldment		
13	8706083	Female Wing Adapter - 0.50"		
14	4420383	Clear Tubing - 0.625" ID		
15	8503069	Mounting - Rubber Grommet		
16	5573419	Washer		
17	5012309	Compressor Mounting - Screw		
18	5650709	Snap Clamp - 0.799"/0.899" ID		
19	5650529	Clamp - Expansion Valve Bulb		
20	5202099	Screw - #10-24 x 0.50" PHIL		
21	5202189	Screw - #10-24 x 0.75"		
22	6019541	Left Corner Post		
23	2006143	Terminal Block - 50 Hz - 3 Pole		[5]

### PART NOTES:

- [1] - \pages from 000005156\_02.jpg" width=266 height=183>
- [2] - \pages from 400720\_08.jpg" width=923 height=583>
- [3] - Manual Reset
- [4] - Auto Reset
- [5] - 50 Hz only



Q0800 - REFRIGERATION COMPARTMENT - AIR-COOLED COMPONENTS



# Q0800, DC0862, JC0895

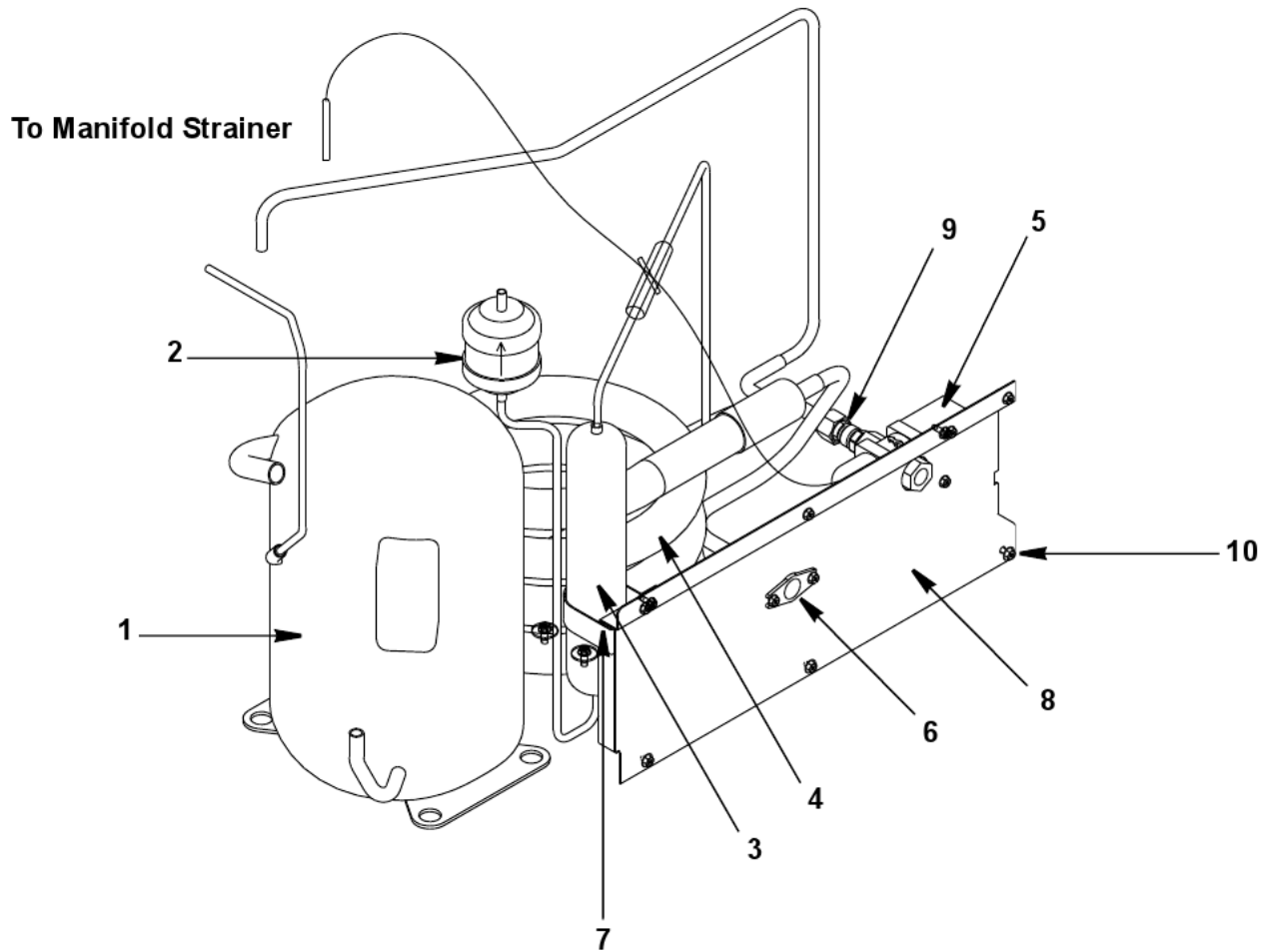
## Q0800 - REFRIGERATION COMPARTMENT - AIR-COOLED COMPONENTS

#	PART #	DESCRIPTION	QTY	Note
1		Compressor		[1]
2	8251143	Air Condenser		
3	7626723	Fan Motor - 208-230V/50-60 Hz		
4	2416123	Fan Blade		
5	2001273	Fan Cycling Control - 225-275 psig		[2]
6	4040203	Air Filter		
7	8930259	Drier		
8	5650699	Air Filter Clip		
9	6018811	Fan Shroud		
10	3006843	Fan Motor Bracket		
11	5033589	Mounting - Screw		
11a	5545109	Lockwasher		
11b	5429529	Mounting - Hexnut		
12	5033589	Mounting - Screw		
13	5545109	Lockwasher		
14	5573059	Mounting - Flatwasher		
15	5429559	Mounting - Rubber Wellnut		
16	5202069	Screw - #10-24 x 0.50" HEX		

### PART NOTES:

- [1] - Refer to COMMON PARTS Page
- [2] - \pages from 200126\_09.jpg" width=170 height=228>

Q0800 - REFRIGERATION COMPARTMENT - WATER-COOLED COMPONENTS



# Q0800, DC0862, JC0895

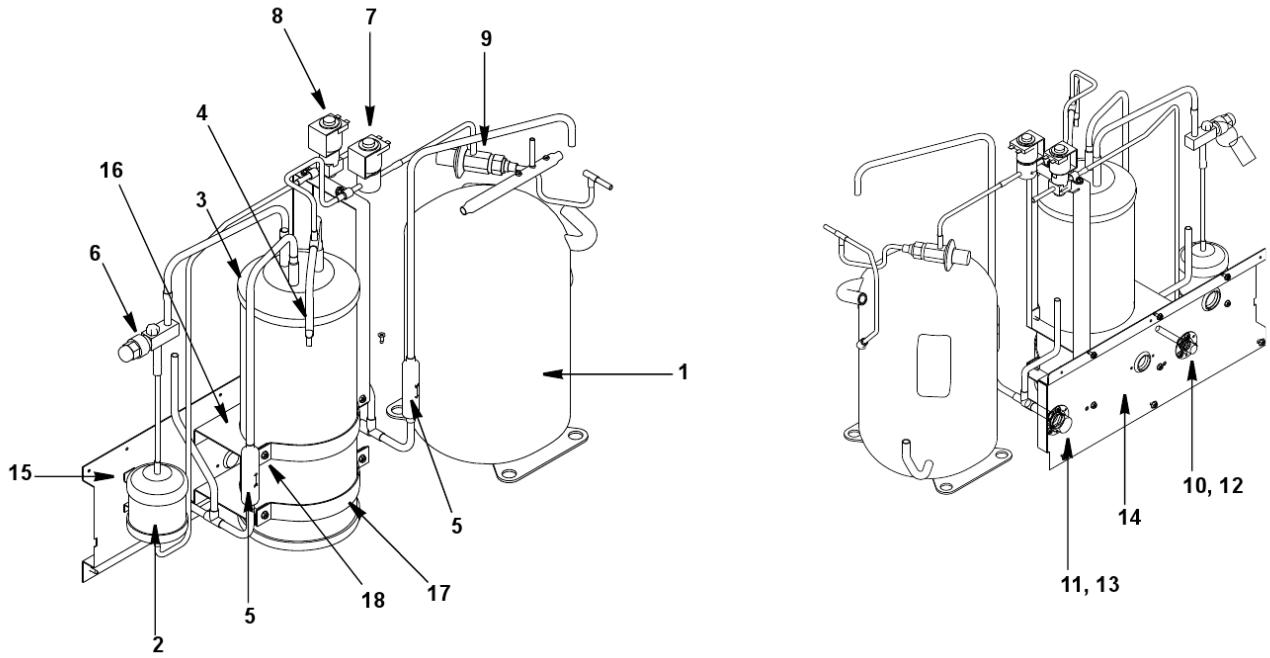
## Q0800 - REFRIGERATION COMPARTMENT - WATER-COOLED COMPONENTS

#	PART #	DESCRIPTION	QTY	Note
1		Compressor		[1]
2	8930259	Drier		
3	000008893	Receiver		
4	8865343	Water-cooled Condenser		
5	8372069	Water Regulating Valve		
6	8706083	Female Wing Adapter - 0.50"		
7	6000541	Receiver Strap		
8	6019061	Back Panel		
9	8332033	Water Coupling		
10	5202189	Screw - #10-24 x 0.75"		

### PART NOTES:

[1] - Refer to COMMON PARTS Page

Q0800 - REFRIGERATION COMPARTMENT - REMOTE COMPONENTS



# Q0800, DC0862, JC0895

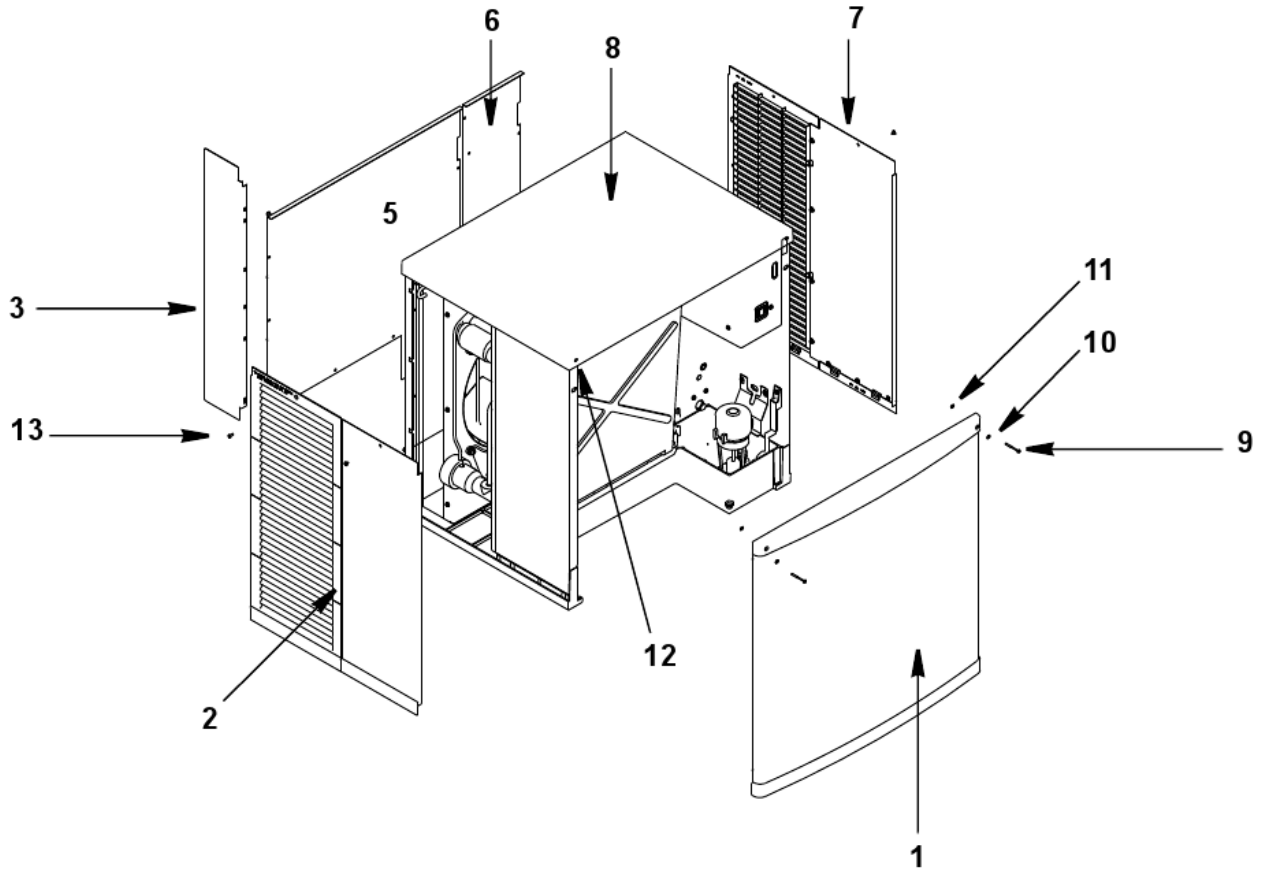
## Q0800 - REFRIGERATION COMPARTMENT - REMOTE COMPONENTS

#	PART #	DESCRIPTION	QTY	Note
1		Compressor		[1]
2	8930279	Drier		
3	7629573	Receiver		
4		Safety Soft Plug		[2]
5	8373149	Magni-Check Valve - 0.375"		
6	8373169	Receiver Service Valve		
6a	5650753	Caps for Refrigeration Service Valve		
7		Harvest Pressure Regulating Solenoid Valve		
7a	7630061	Danfoss Solenoid Valve with Coil - 208-230V/50-60 Hz		
7b	000005157	Danfoss Solenoid Valve Coil Only - 230V/50-60 Hz		[3]
7c	2404483	Alco Solenoid Valve Coil Only - 230V/50 Hz		
8		Liquid Line Solenoid Valve		
8a	7630081	Danfoss Solenoid Valve 208-230V		
8b	000005157	Danfoss Solenoid Valve Coil Only - 230V/50-60 Hz		[3]
8c	2404483	Alco Solenoid Valve Coil Only - 230V/50 Hz		
9	8367793	Harvest Pressure Regulating Valve		
10	8360343	Coupling - Male - 5/8-18		
11	8360353	Coupling - Male - 1-1/6-12		
12	8360053	Coupling Mounting Flange for 5/8-18		
13	8360063	Coupling Mounting Flange for 1-1/16-12		
14	6019061	Back Panel		
15	6017371	Drier Support Bracket		
16	6000561	Receiver Mounting Bracket		
17	6307214	Receiver Mounting Strap		
18	5202069	Screw - #10-24 x 0.50" HEX		

### PART NOTES:

- [1] - Refer to COMMON PARTS
- [2] - No Longer Available
- [3] - \pages from 000005156\_02.jpg" width=266 height=183>

Q0800 - PANELS



# Q0800, DC0862, JC0895

## Q0800 - PANELS

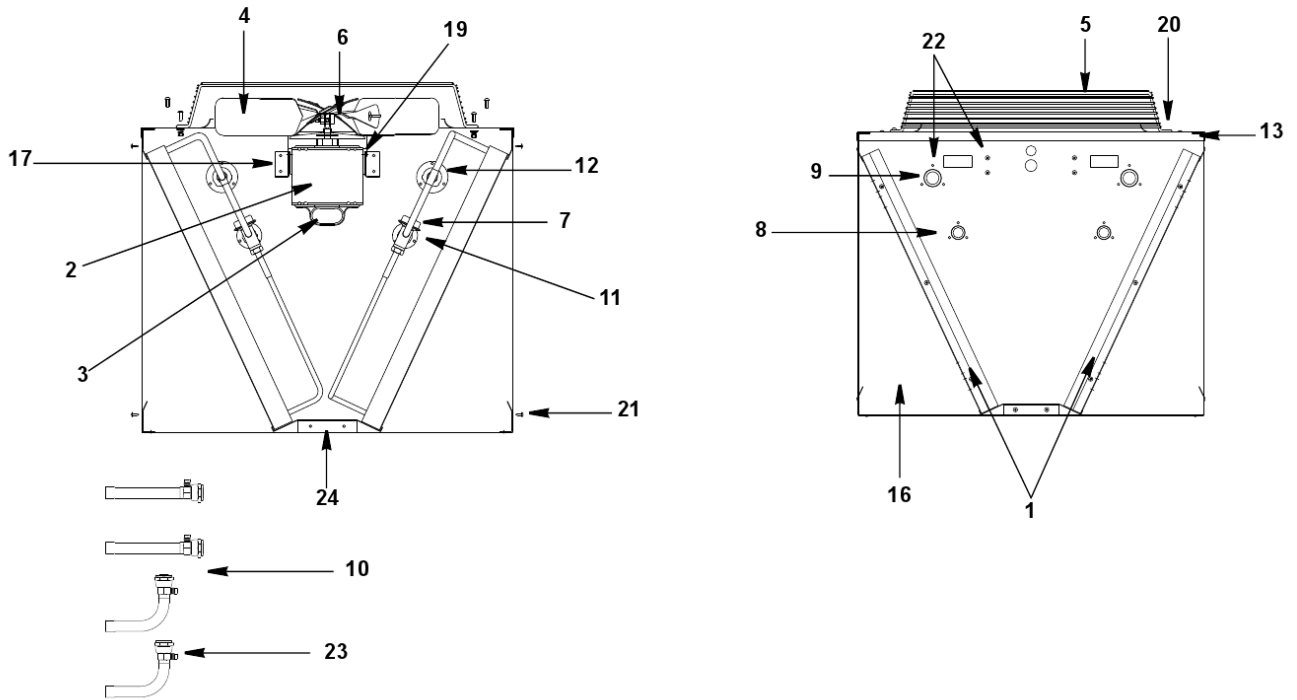
#	PART #	DESCRIPTION	QTY	Note
1	7628573	Front Cover		
2	7628333	Left Side Panel		
3	6023751	Air Baffle		
4	4040203	Air Filter		
5	6024581	Back Panel, Water or Remote		
6	6024571	Back Panel, Air		
7	7628343	Right Side Panel		
8	4303313	Top Cover		
9	5119019	Screw - #8 x 1.75"		[1]
10	5573389	Washer - Nylon 0.171" x 0.38"		[2]
11	5648279	Screw Retainer - Nylon #8		[3]
12	5473039	Speed Nut Assembly to Mount Front Cover		[4]
13	5202099	Screw - #10-24 x 0.50" PHIL		
14	9202509	Extruded Tape		
15	6580419	Front Top Support		

### PART NOTES:

- [1] - Items 9, 10, 11 and 12 can be ordered as assembly 7628983
- [2] - Items 9, 10, 11 and 12 can be ordered as assembly 7628984
- [3] - Items 9, 10, 11 and 12 can be ordered as assembly 7628985
- [4] - Items 9, 10, 11 and 12 can be ordered as assembly 7628986



DC0862 DUAL CIRCUIT REMOTE CONDENSER COMPONENTS



# Q0800, DC0862, JC0895

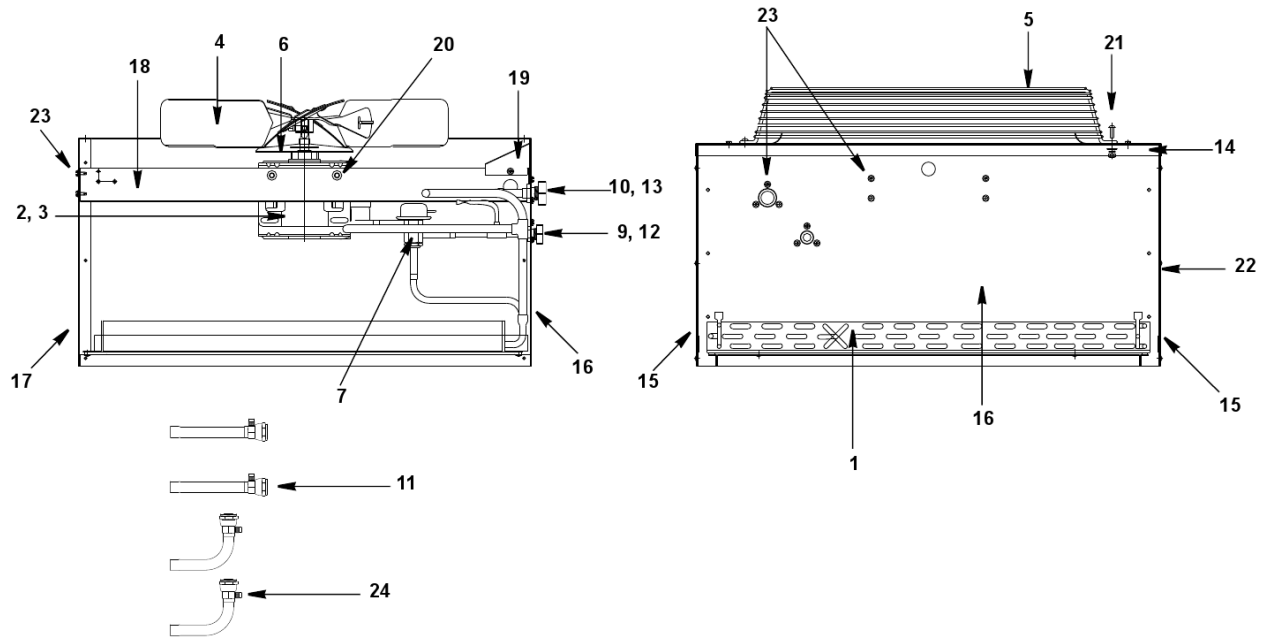
## DC0862 DUAL CIRCUIT REMOTE CONDENSER COMPONENTS

#	PART #	DESCRIPTION	QTY	Note
1	8850629	Air Condenser		
2	7629423	Fan Motor - 115V/60 Hz/1 Ph		
3		Fan Motor Run Capacitor		[1]
4	2416113	Fan Blade		
5	3400643	Fan Guard		
6	2415053	Rain Slinger		
7	000004070	Head Pressure Control Valve		
8	8360343	Coupling - Male - 5/8-18		
9	8360353	Coupling - Male - 1-1/6-12		
10	K0129	Female Line Set Coupling Kit		
11	8360053	Coupling Mounting Flange for 5/8-18		
12	8360063	Coupling Mounting Flange for 1-1/16-12		
13	6017891	Top Cover		
14	6017691	Legs		
15	6017881	Panel - Rear		
16	6017871	Panel - Front		
17	6017681	Fan Motor Mounting Bracket		
18	6017761	Electrical Box Cover		
19	5035659	Fan Motor Mounting Screw		
19a	5573099	Mounting - Flatwasher		
19b	5573139	Mounting - Lockwasher		
19c	5429759	Mounting - Hexnut		
20	5033459	Screw - 1/4-20 x 0.625"		
20a	5573049	Mounting - Flatwasher		
20b	5545119	Mounting - Lockwasher		
20c	5429529	Mounting - Hexnut		
21	5121539	Panel/Condenser Mounting Screw - #8 x 0.50"		
21a	5544599	Panel/Condenser Mounting Lockwasher		
22	5202069	Screw - #10-24 x 0.50" HEX		
23	7626843	Valve Cores		
24	6017791	Base Angle		
25		Fan Cycle Kit K00095		
25a		Relay		[1]
25b		Relay Mounting Bracket		[1]
25c		Transformer		[1]
25d	2515013	Electrical Junction		

### PART NOTES:

[1] - No Longer Available

### JC0895 REMOTE CONDENSER COMPONENTS



# Q0800, DC0862, JC0895

## JC0895 REMOTE CONDENSER COMPONENTS

#	PART #	DESCRIPTION	QTY	Note
1	8850629	Air Condenser		
2	7629413	Fan Motor - 208-230V/50-60 Hz/1 Ph		
3	8504583	Fan Motor Run Capacitor		[1]
4	2416113	Fan Blade		
5	3400643	Fan Guard		
6	2415053	Rain Slinger		
7	000004070	Head Pressure Control Valve		
8	000008040	Terminal Block - 3 Pole		
9	8360343	Coupling - Male - 5/8-18		
10	8360353	Coupling - Male - 1-1/6-12		
11	K0129	Female Line Set Coupling Kit		
12	8360053	Coupling Mounting Flange for 5/8-18		
13	8360063	Coupling Mounting Flange for 1-1/16-12		
14	6017751	Top Cover		
15	6017741	Panel - Side		
16	6017731	Panel - Rear		
17	6017721	Panel - Front		
18	6017681	Fan Motor Mounting Bracket		
19	6017761	Electrical Box Cover		
20	5035659	Fan Motor Mounting Screw		
20a	5573099	Mounting - Flatwasher		
20b	5573139	Mounting - Lockwasher		
20c	5429759	Mounting - Hexnut		
21	5033459	Screw - 1/4-20 x 0.625"		
21a	5573049	Flatwasher		
21b	5545119	Mounting - Lockwasher		
21c	5429529	Mounting - Hexnut		
22	5121539	Panel/Condenser Mounting Screw - #8 x 0.50"		
22a	5544599	Panel/Condenser Mounting Lockwasher		
23	5202069	Screw - #10-24 x 0.50" HEX		
24	7626843	Valve Cores		
25	6017691	Legs		

**PART NOTES:**

[1] - Emerson