



Manitowoc
Foodservice
Parts Manual

For more Parts Information:

<https://manitowocfsg.sysonline.com/Default.aspx>

TABLE OF CONTENTS

Manitowoc Foodservice [Updated: Sep. 30, 2013]

Manitowoc - Ice & Related

Parts Catalog

Ice Machine

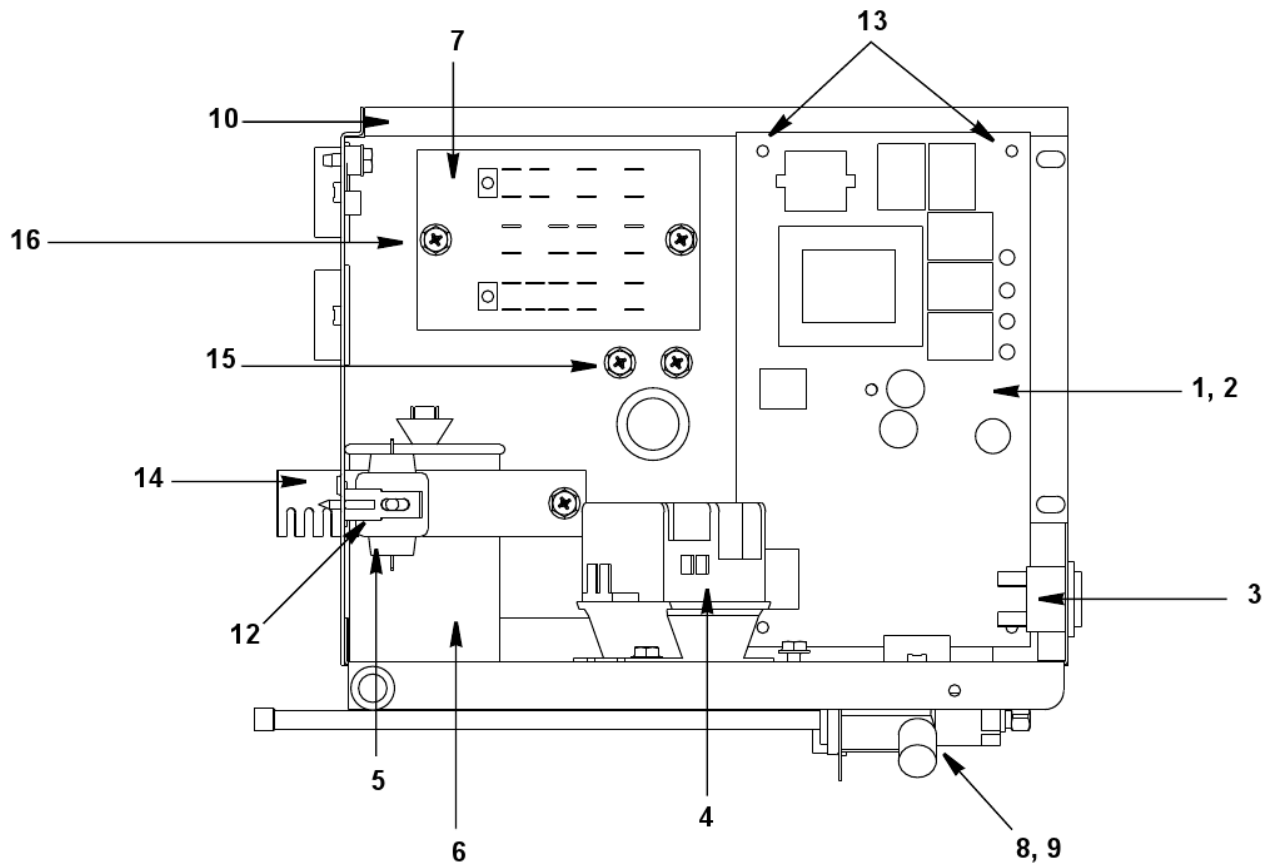
Q Series

Q Model - Air, Water & Remote

Q0600, DC0862, JC0895

| | |
|---|----|
| Q0600 - Control Box Components | 1 |
| Q0600 - Evaporator Compartment - Common Components | 3 |
| Q0600 - Refrigeration Compartment - Common Components | 5 |
| Q0600 - Refrigeration Compartment - Air-cooled Components | 7 |
| Q0600 - Refrigeration Compartment - Water-cooled Components | 9 |
| Q0600 - Refrigeration Compartment - Remote Components | 11 |
| Q0600 - Panels | 13 |
| DC0862 Dual Circuit Remote Condenser Components | 15 |
| JC0895 Remote Condenser Components | 17 |

Q0600 - CONTROL BOX COMPONENTS



Q0600, DC0862, JC0895

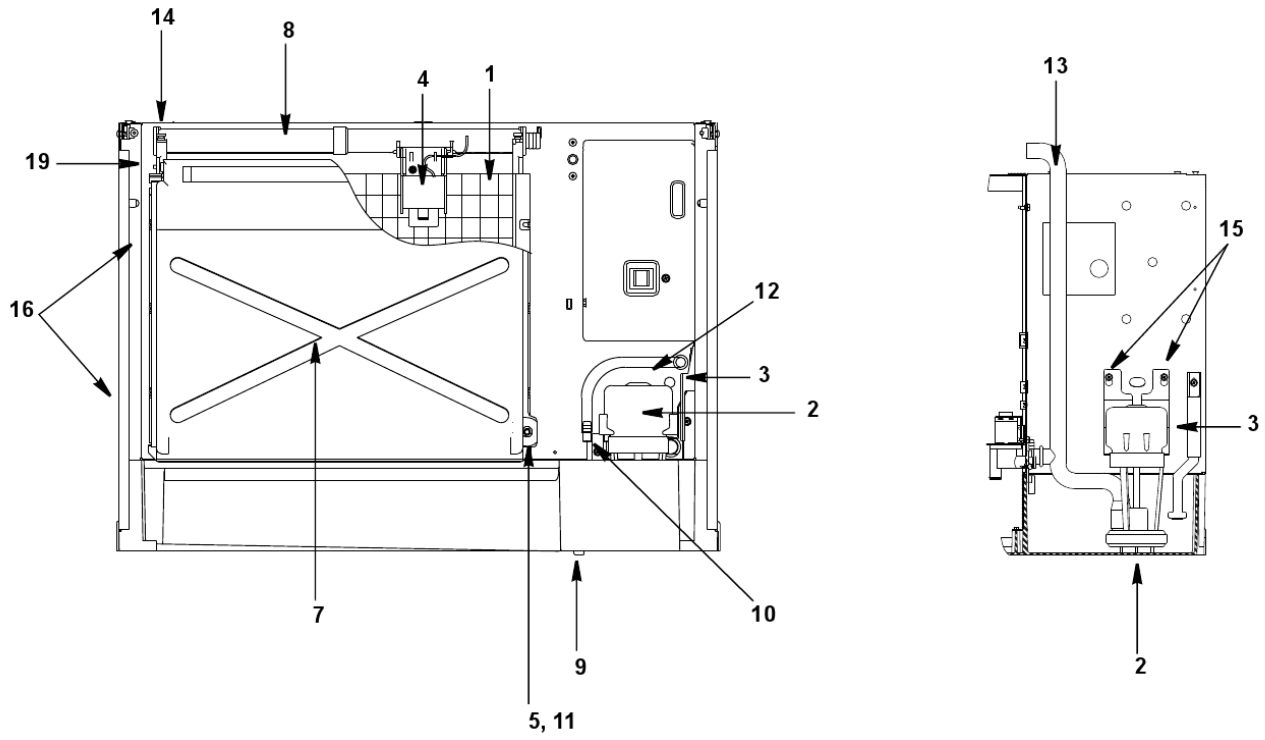
Q0600 - CONTROL BOX COMPONENTS

| # | PART # | DESCRIPTION | QTY | Note |
|----|---------|--|-----|------|
| 1 | 7627823 | Control Board | | |
| 2 | 2511003 | 7 Amp Fuse - Mounted on Control Board | | |
| 3 | 2301343 | Toggle Switch Only | | |
| 3a | 2032173 | Toggle Switch with Wiring Harness Attached | | |
| 4 | 2006599 | Contactora - 230V/50-60 Hz/1 Ph | | |
| 5 | 8504993 | PTCR Compressor Starter | | |
| 6 | | Compressor Run Capacitor | | |
| 6a | 2010143 | Run Capacitor - 115V/60 Hz/1 Ph | | |
| 6b | 8503933 | Run Capacitor - 115-230V/50-60 Hz/1 Ph | | |
| 6c | 8503933 | Run Capacitor - 115-230V/50-60 Hz/1 Ph | | |
| 6d | 8503933 | Run Capacitor - 115-230V/50-60 Hz/1 Ph | | |
| 7 | | Terminal Board with Wire Harness Attached | | |
| 7a | 2032293 | Wiring Harness - 230V/60 Hz/1 Ph | | |
| 7b | | Wiring Harness - 230V/50 Hz/1 Ph | | [1] |
| 8 | 8373263 | Refrigeration Service Valve Assembly | | |
| 9 | 5475039 | Locknut - 0.375" - 18 NPS | | |
| 10 | 6025593 | Control Box | | |
| 11 | 7628523 | Control Box Cover | | |
| 12 | 8505013 | PTCR Compressor Starter Mounting Bracket | | |
| 13 | 4302253 | Control Board Mounting Supports | | |
| 14 | 6024951 | Capacitor Bracket | | |
| 15 | 5202169 | Screw - #10-24 x 0.50" Ground | | |
| 16 | 5202069 | Screw - #10-24 x 0.50" HEX | | |

PART NOTES:

[1] - No Longer Available

Q0600 - EVAPORATOR COMPARTMENT - COMMON COMPONENTS

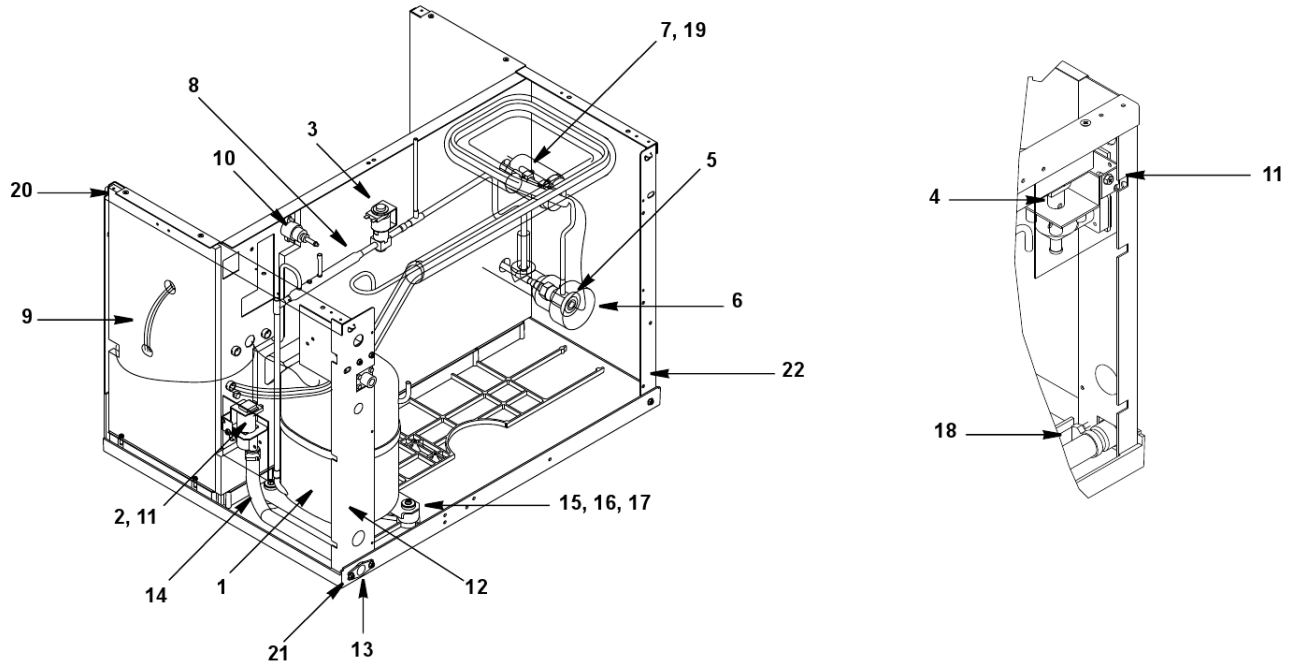


Q0600, DC0862, JC0895

Q0600 - EVAPORATOR COMPARTMENT - COMMON COMPONENTS

| # | PART # | DESCRIPTION | QTY | Note |
|----|---------|---|-----|------|
| 1 | | Evaporator Assembly | | |
| 1a | 7625129 | Evaporator - Regular Cube | | |
| 1b | 7625119 | Evaporator - Dice Cube | | |
| 1c | 7625109 | Evaporator - Half Dice Cube | | |
| 2 | 7626013 | Water Pump - 230V/50-60 Hz | | |
| 3 | 2511293 | Water Level Probe | | |
| 4 | 7627813 | Ice Thickness Control Probe | | |
| 5 | 2301483 | Magnetic Bin Switch | | |
| 6 | 7620543 | Water Flow Clamp - Use on Regular Cube Evap. Only | | |
| 7 | 4304643 | Water Curtain | | |
| 8 | 7624983 | Water Distribution Tube - B/J/Q | | |
| 9 | 4300629 | Water Trough Plug | | |
| 10 | 4303883 | Water Inlet Flow Tube | | |
| 11 | 7628023 | Water Curtain Magnet and Cap | | |
| 12 | 4421113 | Water Inlet Tubing 0.375 ID | | |
| 13 | 4421093 | Water Pump Tubing | | |
| 14 | 5000013 | Thumbscrew - #8-32 x 0.375" | | |
| 15 | 5202069 | Screw - #10-24 x 0.50" HEX | | |
| 16 | 5202189 | Screw - #10-24 x 0.75" | | |
| 17 | 7628063 | Base and Water Trough Repair Kit | | |
| 18 | 7626213 | Evaporator Top Molding and Gasket Assembly | | |
| 19 | 7627763 | Water Curtain Pin Assembly | | |

Q0600 - REFRIGERATION COMPARTMENT - COMMON COMPONENTS



Q0600, DC0862, JC0895

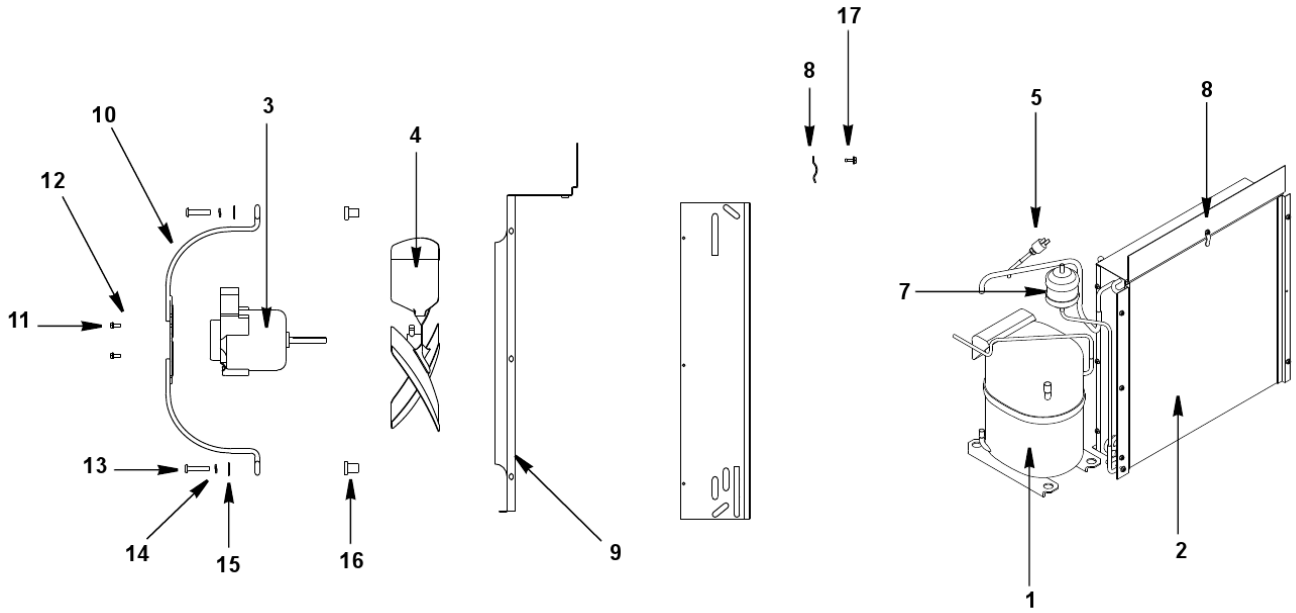
Q0600 - REFRIGERATION COMPARTMENT - COMMON COMPONENTS

| # | PART # | DESCRIPTION | QTY | Note |
|----|-----------|--|-----|------|
| 1 | | Compressor | | |
| 1a | 000010555 | Compressor - Bristol - 208-230V/60 Hz/1 Ph | | |
| 1b | 000010556 | Compressor - Bristol - 230V/50 Hz/1 Ph | | |
| 2 | | Water Dump Valve | | |
| 2a | 000001768 | Water Dump Valve - 208-230V/50-60 Hz | | |
| 3 | | Hot Gas Valve | | |
| 3a | 7630101 | Danfoss Solenoid Valve with Coil - 230V/50-60 Hz | | |
| 3b | 000005157 | Danfoss Solenoid Valve Coil Only - 230V/50-60 Hz | | [1] |
| 3c | 2404483 | Alco Solenoid Valve Coil Only - 230V/50 Hz | | |
| 4 | | Water Inlet Valve | | |
| 4a | 000007966 | Water Inlet Valve - 208-230V/50-60 Hz | | |
| 5 | 7600203 | Expansion Valve | | |
| 6 | | Expansion Valve Body Insulation Boot | | |
| 6a | 4007213 | Valve Insulation Boot - Body | | |
| 6b | 4000363 | Valve Insulation Boot - Body | | |
| 7 | 4007203 | Valve Insulation Boot - Bulb | | [2] |
| 8 | 8310153 | Manifold Strainer - 3 Hole | | |
| 8a | 8250963 | Manifold Strainer - 4 Hole | | |
| 9 | 2078103 | Water Pump Electrical Wire Lead | | |
| 10 | 2355369 | High Pressure Cut-out Control | | [3] |
| 10 | 2001243 | High Pressure Cut-out Control | | [4] |
| 11 | 6023541 | Dump Valve/Water Inlet Valve Mounting Bracket | | |
| 12 | 6019501 | Right Corner Post Weldment | | |
| 13 | 8706083 | Female Wing Adapter - 0.50" | | |
| 14 | 4420383 | Clear Tubing - 0.625" ID | | |
| 15 | 8503069 | Mounting - Rubber Grommet | | |
| 16 | 5573419 | Washer | | |
| 17 | 5012309 | Compressor Mounting - Screw | | |
| 18 | 5650709 | Snap Clamp - 0.799"/0.899" ID | | |
| 19 | 5650529 | Clamp - Expansion Valve Bulb | | |
| 20 | 5202099 | Screw - #10-24 x 0.50" PHIL | | |
| 21 | 5202189 | Screw - #10-24 x 0.75" | | |
| 22 | 6019511 | Left Corner Post Weldment | | |
| 23 | 2006143 | Terminal Block - 50 Hz - 3 Pole | | [5] |

PART NOTES:

- [1] - \pages from 000005156_02.jpg" width=266 height=183>
- [2] - \pages from 400720_08.jpg" width=923 height=583>
- [3] - Manual Reset
- [4] - Auto Reset
- [5] - 50 Hz only

Q0600 - REFRIGERATION COMPARTMENT - AIR-COOLED COMPONENTS



Q0600, DC0862, JC0895

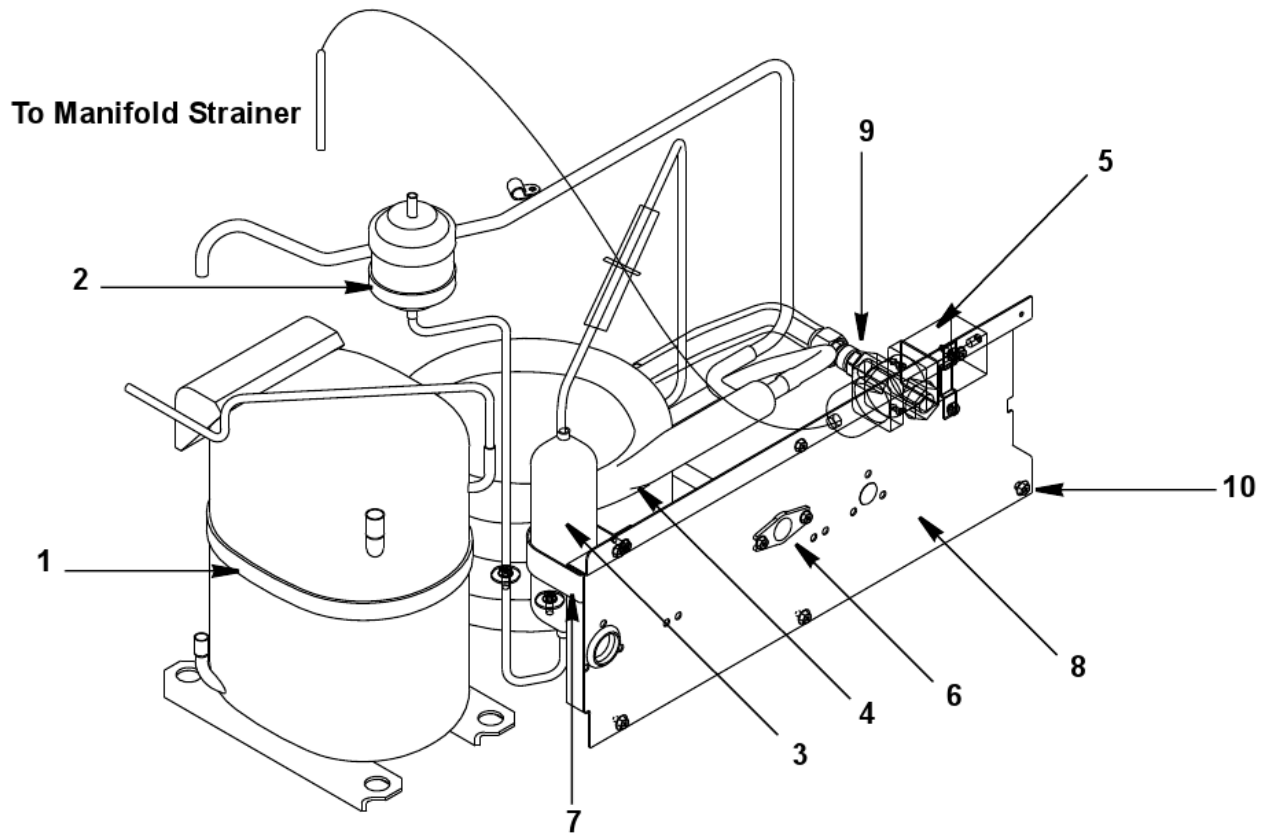
Q0600 - REFRIGERATION COMPARTMENT - AIR-COOLED COMPONENTS

| # | PART # | DESCRIPTION | QTY | Note |
|----|---------|------------------------------------|-----|------|
| 1 | | Compressor | | [1] |
| 2 | 8851253 | Air Condenser | | |
| 3 | 2412939 | Fan Motor 208-230V/50-60 Hz | | |
| 4 | 2416173 | Fan Blade | | |
| 5 | 2001263 | Fan Cycling Control - 200-250 psig | | [2] |
| 6 | 4040183 | Air Filter | | |
| 7 | 8930259 | Drier | | |
| 8 | 5650699 | Air Filter Clip | | |
| 9 | 6061631 | Fan Shroud | | |
| 10 | 3406623 | Fan Motor Bracket | | |
| 11 | 5025599 | Screw - #8-36 x 0.375" | | |
| 12 | 5504269 | Flatwasher #8 | | |
| 13 | 5033589 | Mounting - Screw | | |
| 14 | 5545109 | Lockwasher | | |
| 15 | 5573059 | Mounting - Flatwasher | | |
| 16 | 5429559 | Mounting - Rubber Wellnut | | |
| 17 | 5202189 | Screw - #10-24 x 0.75" | | |

PART NOTES:

- [1] - Refer to COMMON PARTS Page
- [2] - \pages from 200126_09.jpg" width=150 height=306>

Q0600 - REFRIGERATION COMPARTMENT - WATER-COOLED COMPONENTS



Q0600, DC0862, JC0895

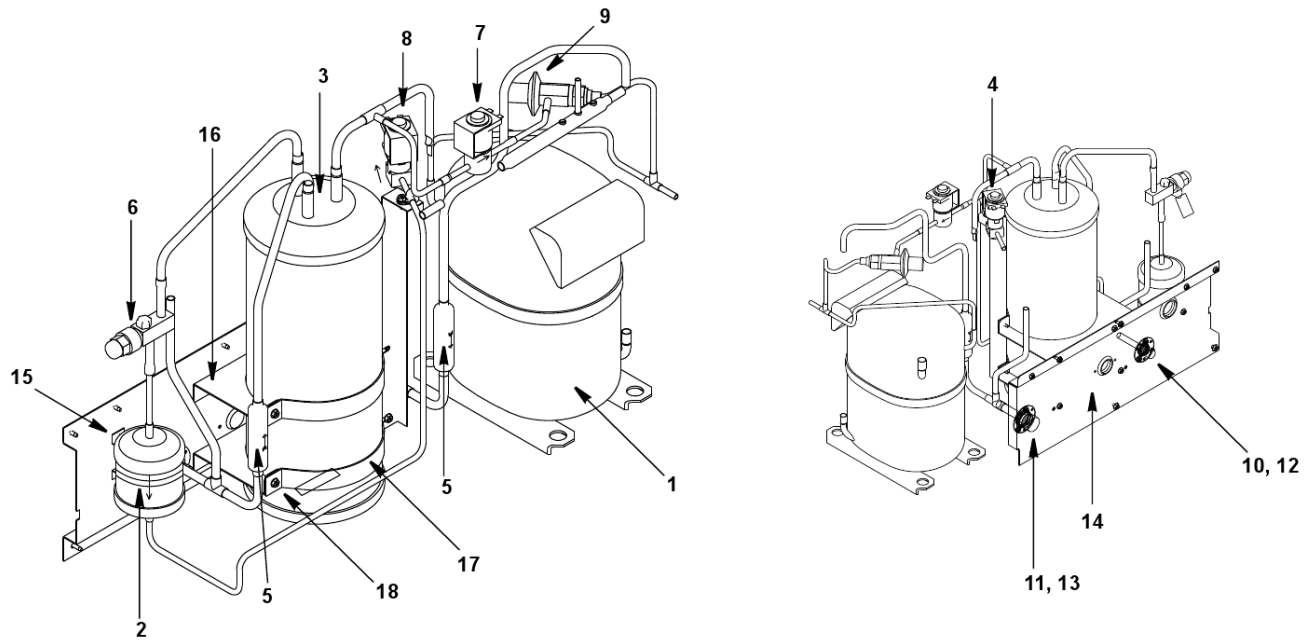
Q0600 - REFRIGERATION COMPARTMENT - WATER-COOLED COMPONENTS

| # | PART # | DESCRIPTION | QTY | Note |
|----|-----------|-----------------------------|-----|------|
| 1 | | Compressor | | [1] |
| 2 | 8930259 | Drier | | |
| 3 | 000008892 | Receiver | | |
| 4 | 8865333 | Water-cooled Condenser | | |
| 5 | 8372069 | Water Regulating Valve | | |
| 6 | 8706083 | Female Wing Adapter - 0.50" | | |
| 7 | 6000541 | Receiver Strap | | |
| 8 | 6019061 | Back Panel | | |
| 9 | 8332033 | Water Coupling | | |
| 10 | 5202189 | Screw - #10-24 x 0.75" | | |

PART NOTES:

[1] - Refer to COMMON PARTS Page

Q0600 - REFRIGERATION COMPARTMENT - REMOTE COMPONENTS



Q0600, DC0862, JC0895

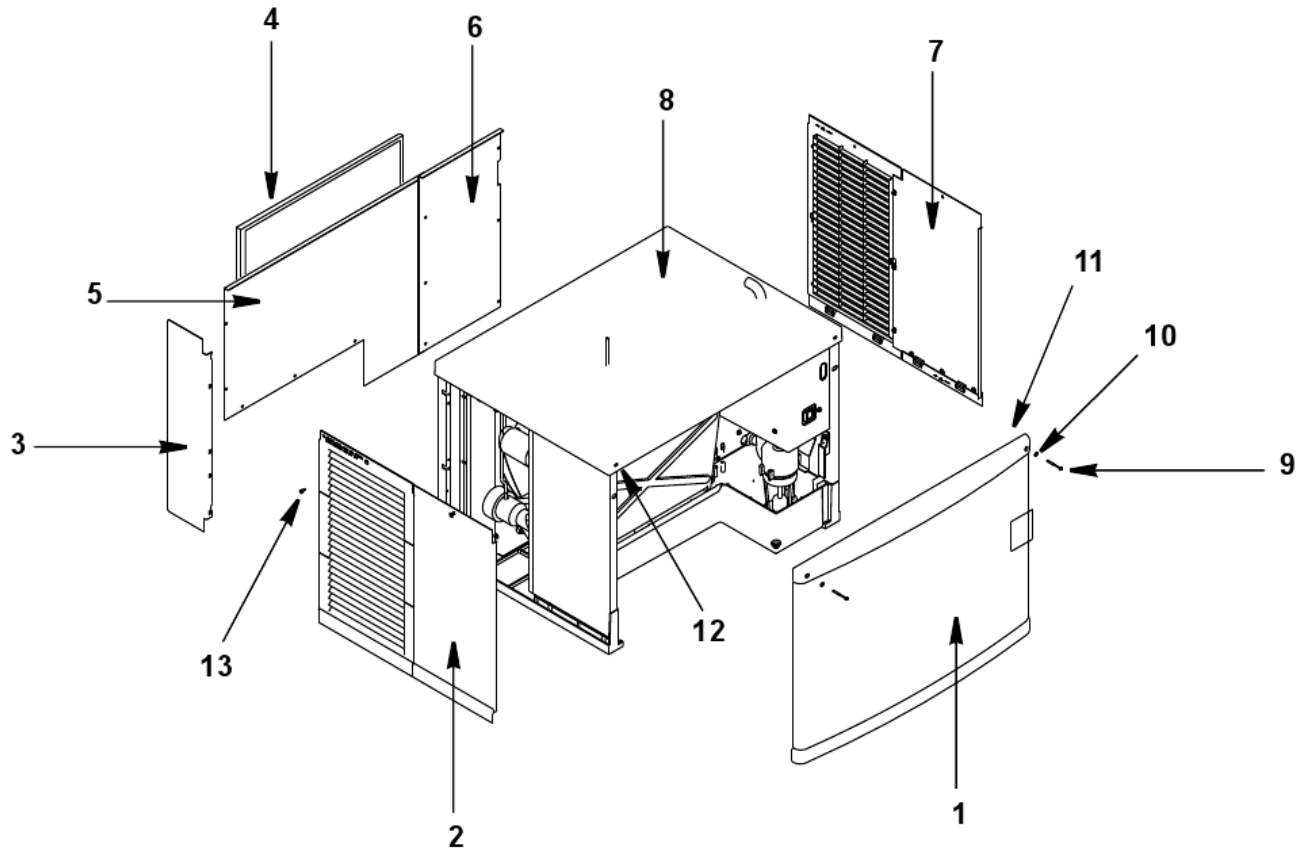
Q0600 - REFRIGERATION COMPARTMENT - REMOTE COMPONENTS

| # | PART # | DESCRIPTION | QTY | Note |
|----|-----------|--|-----|------|
| 1 | | Compressor | | [1] |
| 2 | 8930279 | Drier | | |
| 3 | 7629573 | Receiver | | |
| 4 | | Safety Soft Plug | | [2] |
| 5 | 8373149 | Magni-Check Valve - 0.375" | | |
| 6 | 8373169 | Receiver Service Valve | | |
| 6a | 5650753 | Caps for Refrigeration Service Valve | | |
| 7 | | Harvest Pressure Regulating Solenoid Valve | | |
| 7a | 7630061 | Danfoss Solenoid Valve with Coil - 208-230V/50-60 Hz | | |
| 7b | 000005157 | Danfoss Solenoid Valve Coil Only - 230V/50-60 Hz | | [3] |
| 7c | 2404483 | Alco Solenoid Valve Coil Only - 230V/50 Hz | | |
| 8 | | Liquid Line Solenoid Valve | | |
| 8a | 7630081 | Danfoss Solenoid Valve 208-230V | | |
| 8b | 000005157 | Danfoss Solenoid Valve Coil Only - 230V/50-60 Hz | | [3] |
| 8c | 2404483 | Alco Solenoid Valve Coil Only - 230V/50 Hz | | |
| 9 | 8367793 | Harvest Pressure Regulating Valve | | |
| 10 | 8360343 | Coupling - Male - 5/8-18 | | |
| 11 | 8360353 | Coupling - Male - 1-1/6-12 | | |
| 12 | 8360053 | Coupling Mounting Flange for 5/8-18 | | |
| 13 | 8360063 | Coupling Mounting Flange for 1-1/16-12 | | |
| 14 | 6019061 | Back Panel | | |
| 15 | 6017371 | Drier Support Bracket | | |
| 16 | 6000561 | Receiver Mounting Bracket | | |
| 17 | 6307214 | Receiver Mounting Strap | | |
| 18 | 5202069 | Screw - #10-24 x 0.50" HEX | | |

PART NOTES:

- [1] - Refer to COMMON PARTS
- [2] - No Longer Available
- [3] - \pages from 000005156_02.jpg" width=266 height=183>

Q0600 - PANELS



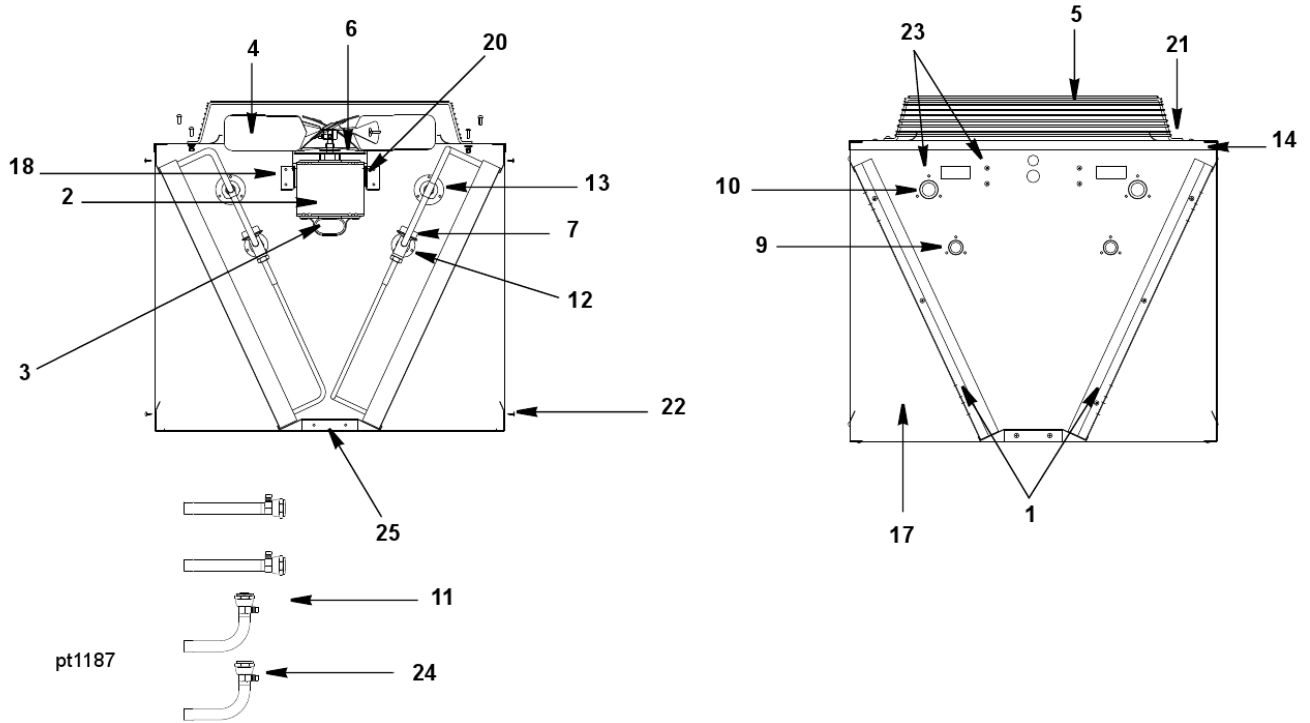
Q0600, DC0862, JC0895

Q0600 - PANELS

| # | PART # | DESCRIPTION | QTY | Note |
|----|---------|---|-----|------|
| 1 | 7628533 | Front Panel Assembly | | |
| 2 | 7628303 | Left Side Panel | | |
| 3 | 6023631 | Air Baffle | | |
| 4 | 4040183 | Air Filter | | |
| 5 | 6019981 | Back Panel | | |
| 6 | 6021581 | Back Panel, Air | | |
| 7 | 7628313 | Right Side Panel | | |
| 8 | 4303313 | Top Cover | | |
| 9 | 5119019 | Screw - #8 x 1.75" | | |
| 10 | 5573389 | Washer - Nylon 0.171" x 0.38" | | |
| 11 | 5648279 | Screw Retainer - Nylon #8 | | |
| 12 | 5473039 | Speed Nut Assembly to Mount Front Cover | | |
| 13 | 5202099 | Screw - #10-24 x 0.50" PHIL | | |
| 14 | 9202509 | Extruded Tape | | |
| 15 | 6580419 | Front Top Support | | |

NOTE: Items 9, 10, 11 and 12 can be ordered as assembly 7628983.

DC0862 DUAL CIRCUIT REMOTE CONDENSER COMPONENTS



Q0600, DC0862, JC0895

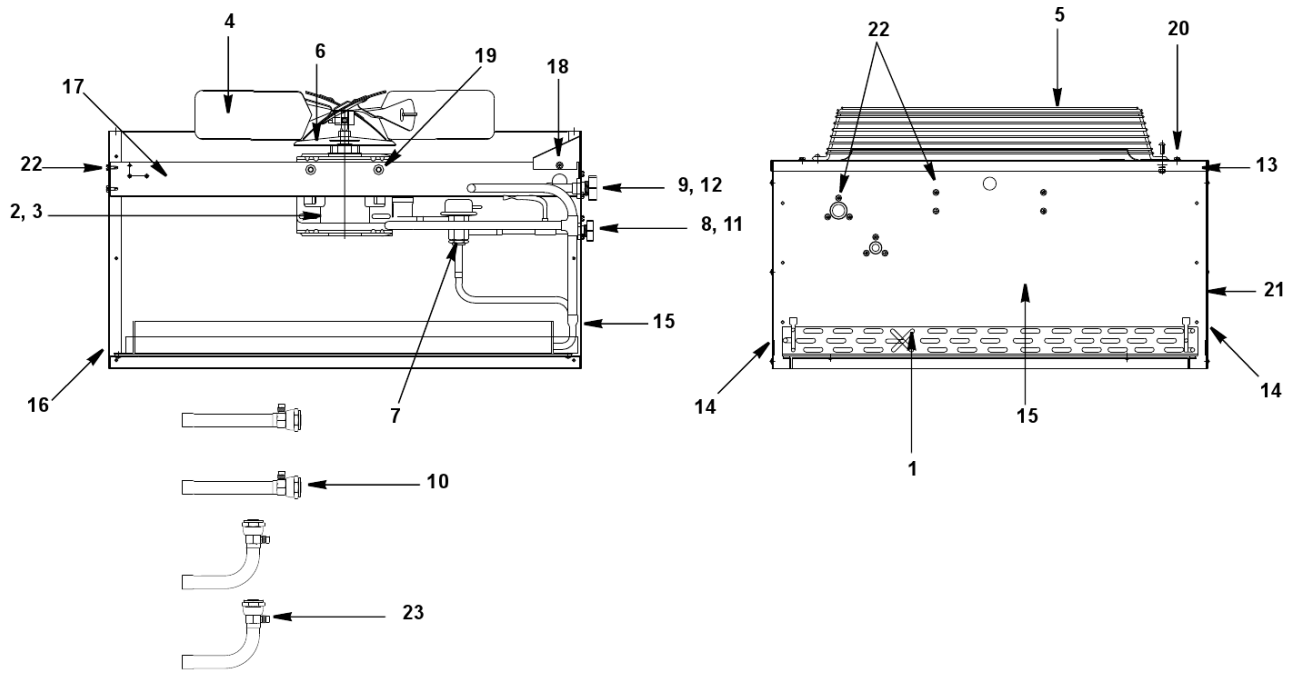
DC0862 DUAL CIRCUIT REMOTE CONDENSER COMPONENTS

| # | PART # | DESCRIPTION | QTY | Note |
|-----|-----------|---|-----|------|
| 1 | 8850629 | Air Condenser | | |
| 2 | 7629423 | Fan Motor - 115V/60 Hz/1 Ph | | |
| 3 | | Fan Motor Run Capacitor | | [1] |
| 4 | 2416113 | Fan Blade | | |
| 5 | 3400643 | Fan Guard | | |
| 6 | 2415053 | Rain Slinger | | |
| 7 | 000004070 | Head Pressure Control Valve | | |
| 8 | 000008040 | Terminal Block - 3 Pole | | |
| 9 | 8360343 | Coupling - Male - 5/8-18 | | |
| 10 | 8360353 | Coupling - Male - 1-1/6-12 | | |
| 11 | K0129 | Female Line Set Coupling Kit | | |
| 12 | 8360053 | Coupling Mounting Flange for 5/8-18 | | |
| 13 | 8360063 | Coupling Mounting Flange for 1-1/16-12 | | |
| 14 | 6017891 | Top Cover | | |
| 15 | 6017691 | Legs | | |
| 16 | 6017881 | Panel - Rear | | |
| 17 | 6017871 | Panel - Front | | |
| 18 | 6017681 | Fan Motor Mounting Bracket | | |
| 19 | 6017761 | Electrical Box Cover | | |
| 20 | 5035659 | Fan Motor Mounting Screw | | |
| 20a | 5573099 | Mounting - Flatwasher | | |
| 20b | 5573139 | Mounting - Lockwasher | | |
| 20c | 5429759 | Mounting - Hexnut | | |
| 21 | 5033459 | Screw - 1/4-20 x 0.625" | | |
| 21a | 5573049 | Flatwasher | | |
| 21b | 5545119 | Mounting - Lockwasher | | |
| 21c | 5429529 | Mounting - Hexnut | | |
| 22 | 5121539 | Panel/Condenser Mounting Screw - #8 x 0.50" | | |
| 22a | 5544599 | Panel/Condenser Mounting Lockwasher | | |
| 23 | 5202069 | Screw - #10-24 x 0.50" HEX | | |
| 24 | 7626843 | Valve Cores | | |
| 25 | 6017791 | Base Angle | | |
| 26 | | Fan Cycle Kit K00095 | | |
| 26a | | Relay | | [1] |
| 26b | | Relay Mounting Bracket | | [1] |
| 26c | | Transformer | | [1] |
| 26d | 2515013 | Electrical Junction | | |

PART NOTES:

[1] - No Longer Available

JC0895 REMOTE CONDENSER COMPONENTS



Q0600, DC0862, JC0895

JC0895 REMOTE CONDENSER COMPONENTS

| # | PART # | DESCRIPTION | QTY | Note |
|-----|-----------|---|-----|------|
| 1 | 8850629 | Air Condenser | | |
| 2 | 7629413 | Fan Motor - 208-230V/50-60 Hz/1 Ph | | |
| 3 | 8504583 | Fan Motor Run Capacitor | | [1] |
| 4 | 2416113 | Fan Blade | | |
| 5 | 3400643 | Fan Guard | | |
| 6 | 2415053 | Rain Slinger | | |
| 7 | 000004070 | Head Pressure Control Valve | | |
| 8 | 8360343 | Coupling - Male - 5/8-18 | | |
| 9 | 8360353 | Coupling - Male - 1-1/6-12 | | |
| 10 | K0129 | Female Line Set Coupling Kit | | |
| 11 | 8360053 | Coupling Mounting Flange for 5/8-18 | | |
| 12 | 8360063 | Coupling Mounting Flange for 1-1/16-12 | | |
| 13 | 6017751 | Top Cover | | |
| 14 | | Panel - Side - See Note for Serial Break | | |
| 14a | 6017741 | Panel - Side | | [2] |
| 14b | 000000609 | Panel - Side | | [3] |
| 15 | | Panel - Rear - See Note for Serial Break | | |
| 15a | 6017731 | Panel - Rear | | [2] |
| 15b | 000000608 | Panel - Rear | | [3] |
| 16 | | Panel - Front - See Note for Serial Break | | |
| 16a | 6017721 | Panel - Front | | [2] |
| 16b | 000000607 | Panel - Front | | [3] |
| 17 | 6017681 | Fan Motor Mounting Bracket | | |
| 18 | 6017761 | Electrical Box Cover | | |
| 19 | 5035659 | Fan Motor Mounting Screw | | |
| 19a | 5573099 | Mounting - Flatwasher | | |
| 19b | 5573139 | Mounting - Lockwasher | | |
| 19c | 5429759 | Mounting - Hexnut | | |
| 20 | 5033459 | Screw - 1/4-20 x 0.625" | | |
| 20a | 5573049 | Flatwasher | | |
| 20b | 5545119 | Mounting - Lockwasher | | |
| 20c | 5429529 | Mounting - Hexnut | | |
| 21 | 5121539 | Panel/Condenser Mounting Screw - #8 x 0.50" | | |
| 21a | 5544599 | Panel/Condenser Mounting Lockwasher | | |
| 22 | 5202069 | Screw - #10-24 x 0.50" HEX | | |
| 23 | 7626843 | Valve Cores | | |
| 24 | | Legs - See Note for Serial Break | | |
| 24a | 6017691 | Legs | | [2] |
| 24b | 000000718 | Legs | | [3] |

PART NOTES:

- [1] - Emerson
- [2] - Before Serial Number 110536595
- [3] - After Serial Number 110536595