



Manitowoc
Foodservice
Parts Manual

For more Parts Information:

<https://manitowocfsg.sysonline.com/Default.aspx>

TABLE OF CONTENTS

Manitowoc Foodservice [Updated: Sep. 30, 2013]

Manitowoc - Ice & Related

Parts Catalog

Ice Machine

Q Series

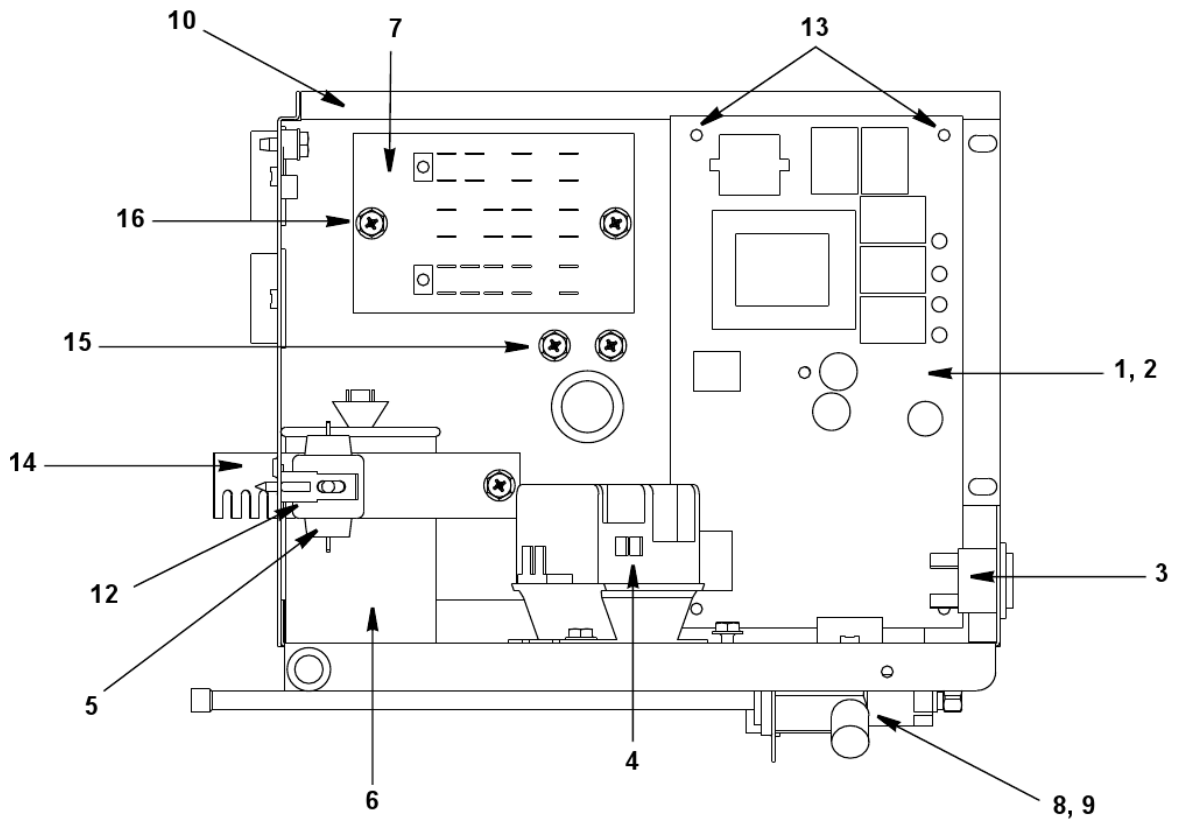
Q Model - Air, Water & Remote

Q0450, JC0495

Q0450 - Control Box Components	1
Q0450 - Evaporator Compartment - Common Components	3
Q0450 - Refrigeration Compartment - Common Components	5
Q0450 - Refrigeration Compartment - Air-cooled Components	8
Q0450 - Refrigeration Compartment - Water-cooled Components	10
Q0450 - Refrigeration Compartment - Remote Components	12
Q0450 - Panels	14
JC0495 Remote Condenser Components	16

Q0450, JC0495

Q0450 - CONTROL BOX COMPONENTS



Q0450, JC0495

Q0450 - CONTROL BOX COMPONENTS

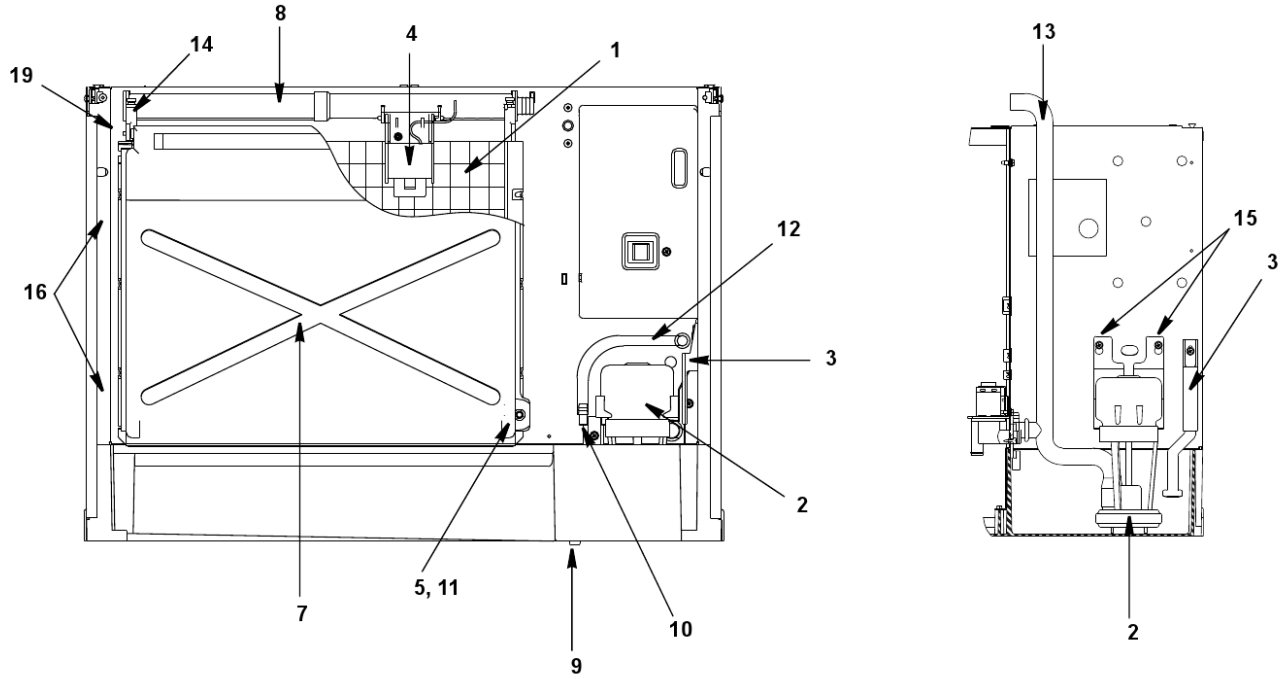
#	PART #	DESCRIPTION	QTY	Note
1	7627823	Control Board		
2	2511003	7 Amp Fuse - Mounted on Control Board		
3	2301343	Toggle Switch Only		
3a	2032173	Toggle Switch with Wiring Harness Attached		
4		Contactor		
4a	2006589	Contactor - 115V/60 Hz/1 Ph		
4b	2006599	Contactor - 230V/50-60 Hz/1 Ph		
5	8505003	PTCR Compressor Starter		
6		Compressor Run Capacitor		
6a	2010143	Run Capacitor - 115V/60 Hz/1 Ph		
6b	8504003	Run Capacitor - 208-230V/50-60 Hz/1 Ph		
7		Terminal Board with Wire Harness Attached		
7a	2032283	Wiring Harness - 115V/60 Hz/1 Ph		
7b	2032293	Wiring Harness - 230V/60 Hz/1 Ph		
7c		Wiring Harness - 230V/50 Hz/1 Ph		[1]
8	8373263	Refrigeration Service Valve Assembly		
9	5475039	Locknut - 0.375" - 18 NPS		
10	6025593	Control Box		
11	7628523	Control Box Cover		
12	8505023	PTCR Mounting Bracket		
13	4302253	Control Board Mounting Supports		
14	6024951	Capacitor Bracket		
15	5202169	Screw - #10-24 x 0.50" Ground		
16	5202069	Screw - #10-24 x 0.50" HEX		

PART NOTES:

[1] - No Longer Available

Q0450, JC0495

Q0450 - EVAPORATOR COMPARTMENT - COMMON COMPONENTS



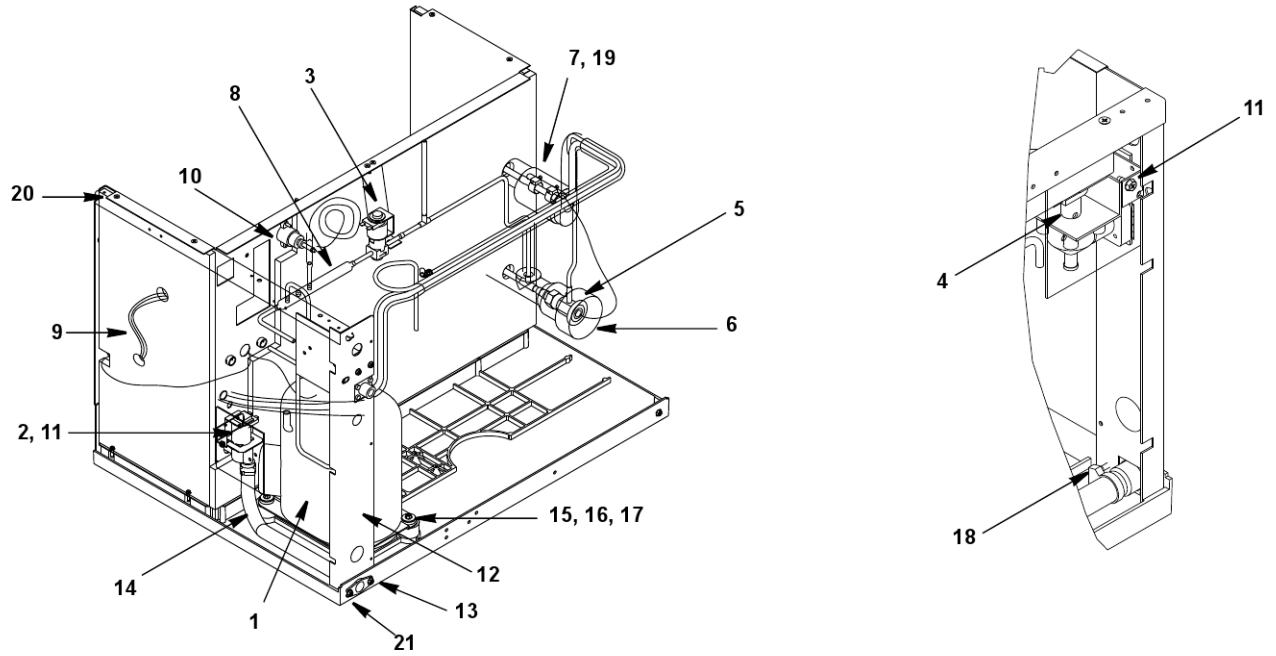
Q0450, JC0495

Q0450 - EVAPORATOR COMPARTMENT - COMMON COMPONENTS

#	PART #	DESCRIPTION	QTY	Note
1		Evaporator Assembly		
1a	7625129	Evaporator - Regular Cube		
1b	7625119	Evaporator - Dice Cube		
1c	7625109	Evaporator - Half Dice Cube		
2		Water Pump		
2a	7623063	Water Pump - 115V/60 Hz		
2b	7626013	Water Pump - 230V/50-60 Hz		
3	2511293	Water Level Probe		
4	7627813	Ice Thickness Control Probe		
5	2301483	Magnetic Bin Switch		
6	7620543	Water Flow Clamp - Use on Regular Cube Evap. Only		
7	4304643	Water Curtain		
8	7624983	Water Distribution Tube - B/J/Q		
9	4300629	Water Trough Plug		
10	4303883	Water Inlet Flow Tube		
11	7628023	Water Curtain Magnet and Cap		
12	4421113	Water Inlet Tubing 0.375 ID		
13	4421093	Water Pump Tubing		
14	5000013	Thumbscrew - #8-32 x 0.375"		
15	5202069	Screw - #10-24 x 0.50" HEX		
16	5202189	Screw - #10-24 x 0.75"		
17	7628063	Base and Water Trough Repair Kit		
18	7626213	Evaporator Top Molding and Gasket Assembly		
19	7627763	Water Curtain Pin Assembly		

Q0450, JC0495

Q0450 - REFRIGERATION COMPARTMENT - COMMON COMPONENTS



Q0450, JC0495

Q0450 - REFRIGERATION COMPARTMENT - COMMON COMPONENTS

#	PART #	DESCRIPTION	QTY	Note
1		Compressor		
1a	7628103	Compressor - Tecumseh - 115V/60 Hz/1 Ph		
1b	8505553	Overload		
1c	7628123	Compressor - Tecumseh - 208-230V/60 Hz/1 Ph		
1d	8505563	Overload		
1e	7628113	Compressor - Tecumseh - 230V/50 Hz/1 Ph		
1f	8505573	Overload		
2		Water Dump Valve		
2a	000001767	Water Dump Valve - 115V/60 Hz		
2b	000001768	Water Dump Valve - 208-230V/50-60 Hz		
3		Hot Gas Valve		
3a	7630011	Danfoss Solenoid Valve With Coil - 115V/60 Hz		
3b	000005156	Danfoss Solenoid Valve Coil Only - 115V/60 Hz		[1]
3c	2404363	Alco Solenoid Valve Coil Only - 115V/60 Hz		
3d	7630071	Danfoss Solenoid Valve With Coil - 208-230V/50-60 Hz		
3e	000005157	Danfoss Solenoid Valve Coil Only - 230V/50-60 Hz		[2]
3f	2404483	Alco Solenoid Valve Coil Only - 230V/50 Hz		
4		Water Inlet Valve		
4a	000007965	Water Inlet Valve - 115V/60 Hz/1 Ph		
4b	000007966	Water Inlet Valve - 208-230V/50-60 Hz		
5	7600193	Expansion Valve		
6		Expansion Valve Body Insulation Boot		
6a	4007213	Valve Insulation Boot - Body		
6b	4000363	Valve Insulation Boot - Body		
7	4007203	Valve Insulation Boot - Bulb		[3]
8	8310163	Manifold Strainer		
9	2078103	Water Pump Electrical Wire Lead		
10a	2355369	High Pressure Cut-out Control		[4]
10b	2001243	High Pressure Cut-out Control		[5]
11	6023541	Dump Valve/Water Inlet Valve Mounting Bracket		
12	6019501	Right Corner Post Weldment		
13	8706083	Female Wing Adapter - 0.50"		
14	4420383	Clear Tubing - 0.625" ID		
15	8503069	Mounting - Rubber Grommet		
16	5573419	Washer		
17	5012309	Compressor Mounting - Screw		
18	5650709	Snap Clamp - 0.799"/0.899" ID		
19	5650529	Clamp - Expansion Valve Bulb		
20	5202099	Screw - #10-24 x 0.50" PHIL		
21	5202189	Screw - #10-24 x 0.75"		
22	6023541	Dump Valve/Water Inlet Valve Mounting Bracket		
23	2006143	Terminal Block - 50 Hz - 3 Pole		[6]

Q0450, JC0495

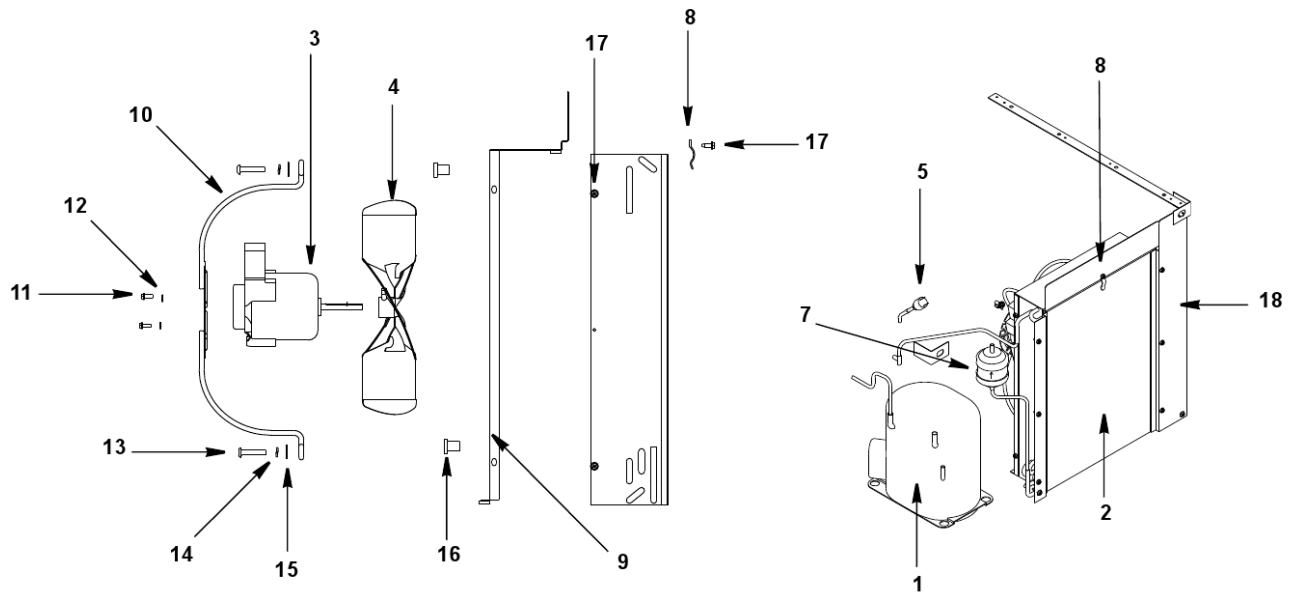
Q0450 - REFRIGERATION COMPARTMENT - COMMON COMPONENTS

#	PART #	DESCRIPTION	QTY	Note
---	--------	-------------	-----	------

PART NOTES:

- [1] - \pages from 000005156_02.jpg" width=280 height=256>
- [2] - \pages from 000005156_02.jpg" width=266 height=183>
- [3] - \pages from 400720_08.jpg" width=923 height=583>
- [4] - Manual Reset
- [5] - Auto Reset
- [6] - 50 Hz Only

Q0450 - REFRIGERATION COMPARTMENT - AIR-COOLED COMPONENTS



Q0450, JC0495

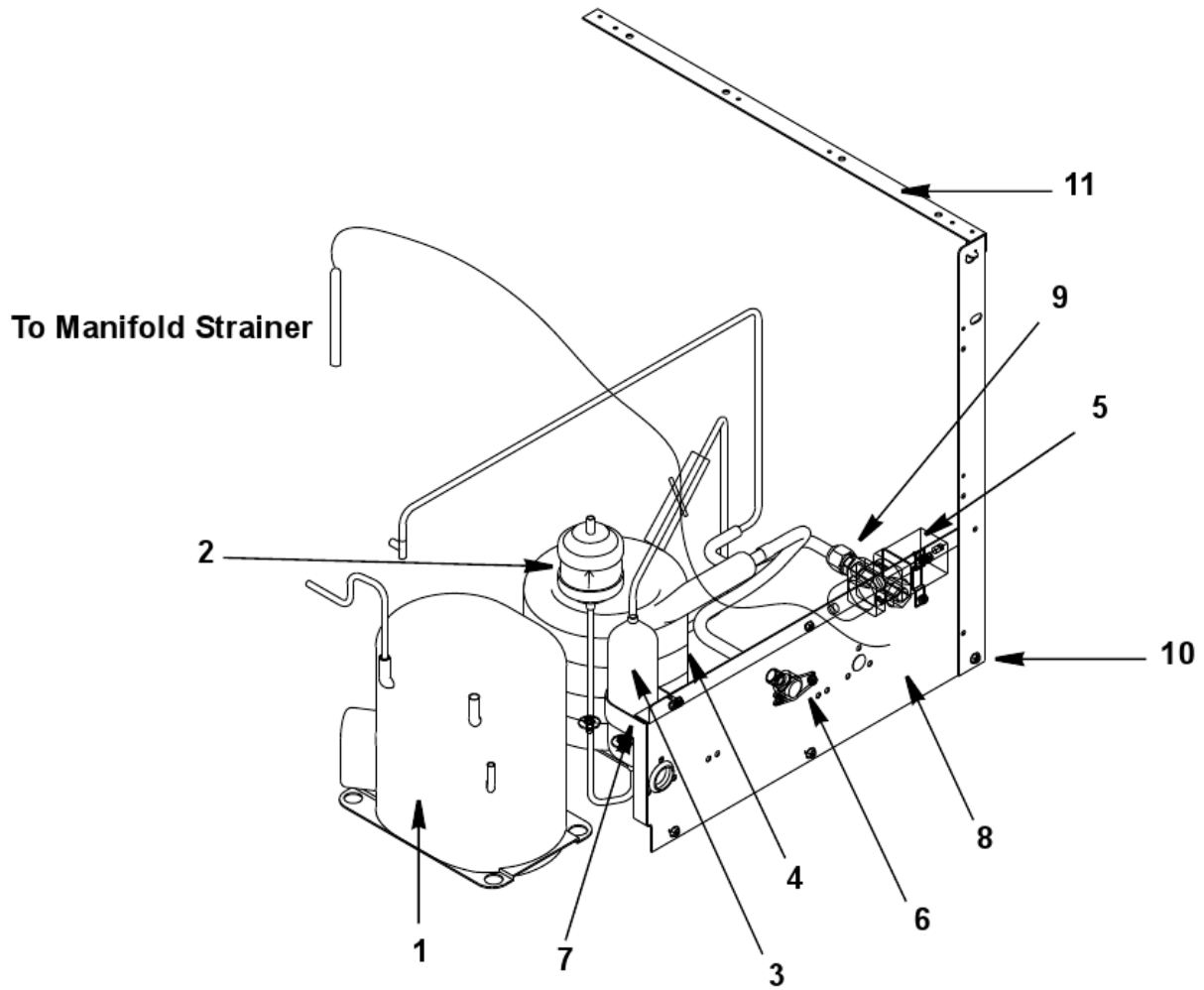
Q0450 - REFRIGERATION COMPARTMENT - AIR-COOLED COMPONENTS

#	PART #	DESCRIPTION	QTY	Note
1		Compressor		[1]
2	8851243	Air Condenser		
3		Fan Motor		
3a	2412929	Fan Motor 115V/60 Hz/1 Ph		
3b	2412939	Fan Motor 208-230V/50-60 Hz		
4	2416203	Fan Blade		
5	2001263	Fan Cycling Control - 200-250 psig		[2]
6	4040163	Air Filter		
7	8930259	Drier		
8	5650699	Air Filter Clip		
9	6018791	Fan Shroud		
10	3406623	Fan Motor Bracket		
11	5025599	Screw - #8-36 x 0.375"		
12	5504269	Flatwasher #8		
13	5033589	Mounting - Screw		
14	5545109	Lockwasher		
15	5573059	Mounting - Flatwasher		
16	5429559	Mounting - Rubber Wellnut		
17	5202069	Screw - #10-24 x 0.50" HEX		
18	6021681	Left Corner Post Weldment		

PART NOTES:

- [1] - Refer to COMMON PARTS Page
- [2] - \pages from 200126_09.jpg" width=150 height=306>

Q0450 - REFRIGERATION COMPARTMENT - WATER-COOLED COMPONENTS



Q0450, JC0495

Q0450 - REFRIGERATION COMPARTMENT - WATER-COOLED COMPONENTS

#	PART #	DESCRIPTION	QTY	Note
1		Compressor		[1]
2	8930259	Drier		
3	000008892	Receiver		
4	8865323	Water-Cooled Condenser		
5	8372069	Water Regulating Valve		
6	8706083	Female Wing Adapter - 0.50"		
7	6000541	Receiver Strap		
8	6019061	Back Panel		
9	8332033	Water Coupling		
10	5202069	Screw - #10-24 x 0.50" HEX		
11	6019511	Left Corner Post Weldment		

PART NOTES:

[1] - Refer to COMMON PARTS Page

Q0450, JC0495

Q0450 - REFRIGERATION COMPARTMENT - REMOTE COMPONENTS

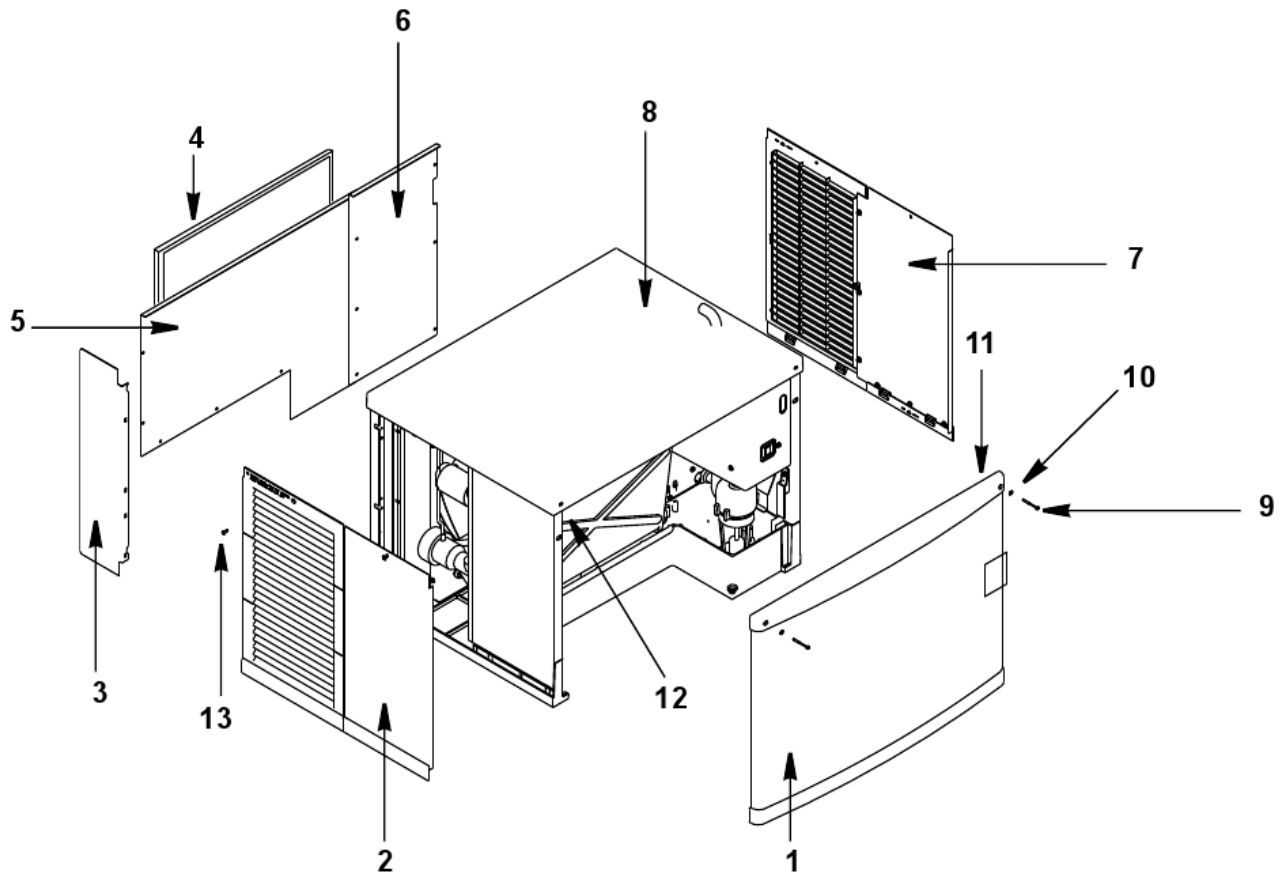
#	PART #	DESCRIPTION	QTY	Note
1		Compressor		[1]
2	8930279	Drier		
3	7629573	Receiver		
4		Safety Soft Plug		[2]
5	8373149	Magni-Check Valve - 0.375"		
6	8373169	Receiver Service Valve		
6a	5650753	Caps for Refrigeration Service Valve		
7		Harvest Pressure Regulating Solenoid Valve		
7a	7630001	Danfoss Solenoid Valve with Electrical Coil - 115V/60 Hz		
7b	000005156	Danfoss Solenoid Valve Coil Only - 115V/60 Hz		[3]
7c	2404363	Alco Solenoid Valve Coil Only - 115V/60 Hz		
8		Liquid Line Solenoid Valve		
8a	7630021	Danfoss Solenoid Valve 115V		
8b	000005156	Danfoss Solenoid Valve Coil Only - 115V/60 Hz		[3]
8c	2404363	Alco Solenoid Valve Coil Only - 115V/60 Hz		
9	8367793	Harvest Pressure Regulating Valve		
10	8360343	Coupling - Male - 5/8-18		
11	8360353	Coupling - Male - 1-1/6-12		
12	8360053	Coupling Mounting Flange for 5/8-18		
13	8360063	Coupling Mounting Flange for 1-1/16-12		
14	6019061	Back Panel		
15	6017371	Drier Support Bracket		
16	6000561	Receiver Mounting Bracket		
17	6307214	Receiver Mounting Strap		
18	5202069	Screw - #10-24 x 0.50" HEX		
19	6019511	Left Corner Post Weldment		

PART NOTES:

- [1] - Refer to COMMON Parts
- [2] - No Longer Available
- [3] - \pages from 000005156_02.jpg" width=280 height=256>

Q0450, JC0495

Q0450 - PANELS



Q0450, JC0495

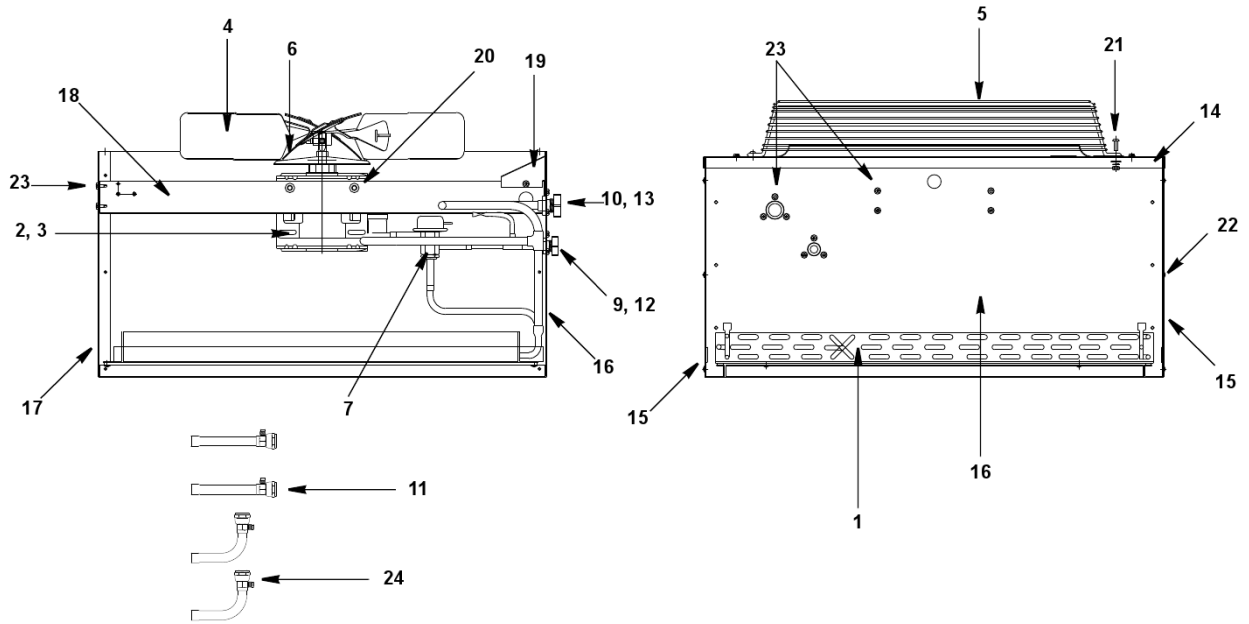
Q0450 - PANELS

#	PART #	DESCRIPTION	QTY	Note
1	7628533	Front Panel Assembly		
2	7628303	Left Side Panel		
3	6023631	Air Baffle		
4	4040163	Air Filter		
5	6019981	Back Panel		
6	6019971	Back Panel, Air		
7	7628313	Right Side Panel		
8	4303313	Top Cover		
9	5119019	Screw - #8 x 1.75"		[1]
10	5573389	Washer - Nylon 0.171" x 0.38"		[1]
11	5648279	Screw Retainer - Nylon #8		[1]
12	5473039	Speed Nut Assembly to Mount Front Cover		[1]
13	5202099	Screw - #10-24 x 0.50" PHIL		
14	9202509	Extruded Tape		
15	6580419	Front Top Support		

PART NOTES:

[1] - Items 9, 10, 11 and 12 can be ordered as assembly 7628983.

JC0495 REMOTE CONDENSER COMPONENTS



Q0450, JC0495

JC0495 REMOTE CONDENSER COMPONENTS

#	PART #	DESCRIPTION	QTY	Note
1	8850639	Air Condenser		
2	7629423	Fan Motor - 115V/60 Hz/1 Ph		
3		Fan Motor Run Capacitor		[1]
4	2416113	Fan Blade		
5	3400643	Fan Guard		
6	2415053	Rain Slinger		
7	000004070	Head Pressure Control Valve		
8	000008040	Terminal Block - 3 Pole		
9	8360343	Coupling - Male - 5/8-18		
10	8360353	Coupling - Male - 1-1/6-12		
11	K0129	Female Line Set Coupling Kit		
12	8360053	Coupling Mounting Flange for 5/8-18		
13	8360063	Coupling Mounting Flange for 1-1/16-12		
14	6017751	Top Cover		
15	6017741	Panel - Side		
16	6017731	Panel - Rear		
17	6017721	Panel - Front		
18	6017681	Fan Motor Mounting Bracket		
19	6017761	Electrical Box Cover		
20	5035659	Fan Motor Mounting Screw		
20a	5573099	Mounting - Flatwasher		
20b	5573139	Mounting - Lockwasher		
20c	5429759	Mounting - Hexnut		
21	5033459	Screw - 1/4-20 x 0.625"		
21a	5573049	Flatwasher		
21b	5545119	Mounting - Lockwasher		
21c	5429529	Mounting - Hexnut		
22	5121539	Panel/Condenser Mounting Screw - #8 x 0.50"		
22a	5544599	Panel/Condenser Mounting Lockwasher		
23	5202069	Screw - #10-24 x 0.50" HEX		
24	7626843	Valve Cores		
25	6017691	Legs		

PART NOTES:

[1] - No Longer Available