



Manitowoc
Foodservice
Parts Manual

For more Parts Information:

<https://manitowocfsg.sysonline.com/Default.aspx>

TABLE OF CONTENTS

Manitowoc Foodservice [Updated: Sep. 30, 2013]

Manitowoc - Ice & Related

Parts Catalog

Ice Machine

Q Series

Q Model - Air, Water & Remote

Q0420

Q0420 - Control Box Components 1

Q0420 - Evaporator Compartment - Common Components 3

Q0420 - Refrigeration Compartment - Common Components 5

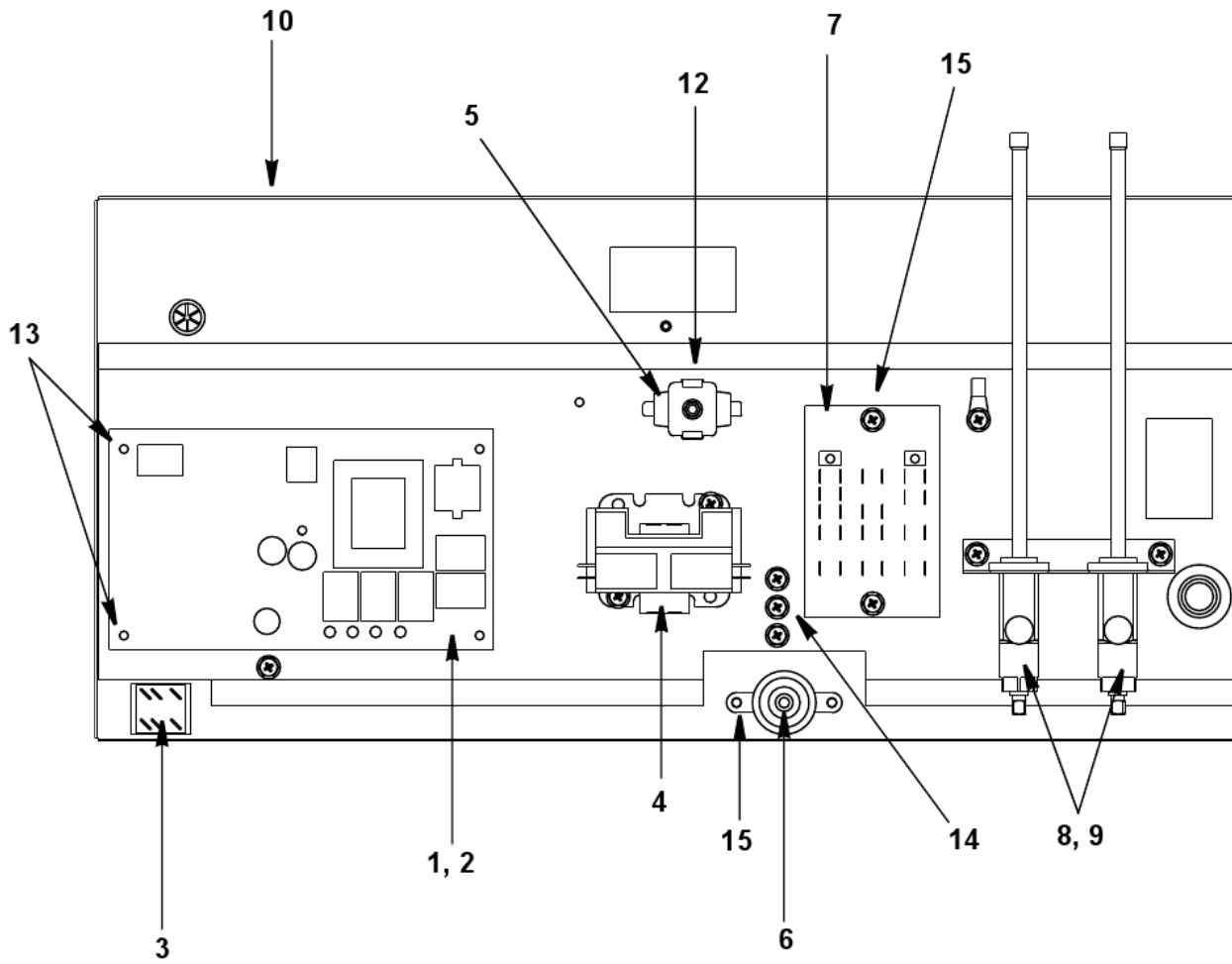
Q0420 - Refrigeration Compartment - Air-cooled Components 8

Q0420 - Refrigeration Compartment - Water-cooled Components 10

Q0420 - Panels 12

Q0420

Q0420 - CONTROL BOX COMPONENTS



Q0420

Q0420 - CONTROL BOX COMPONENTS

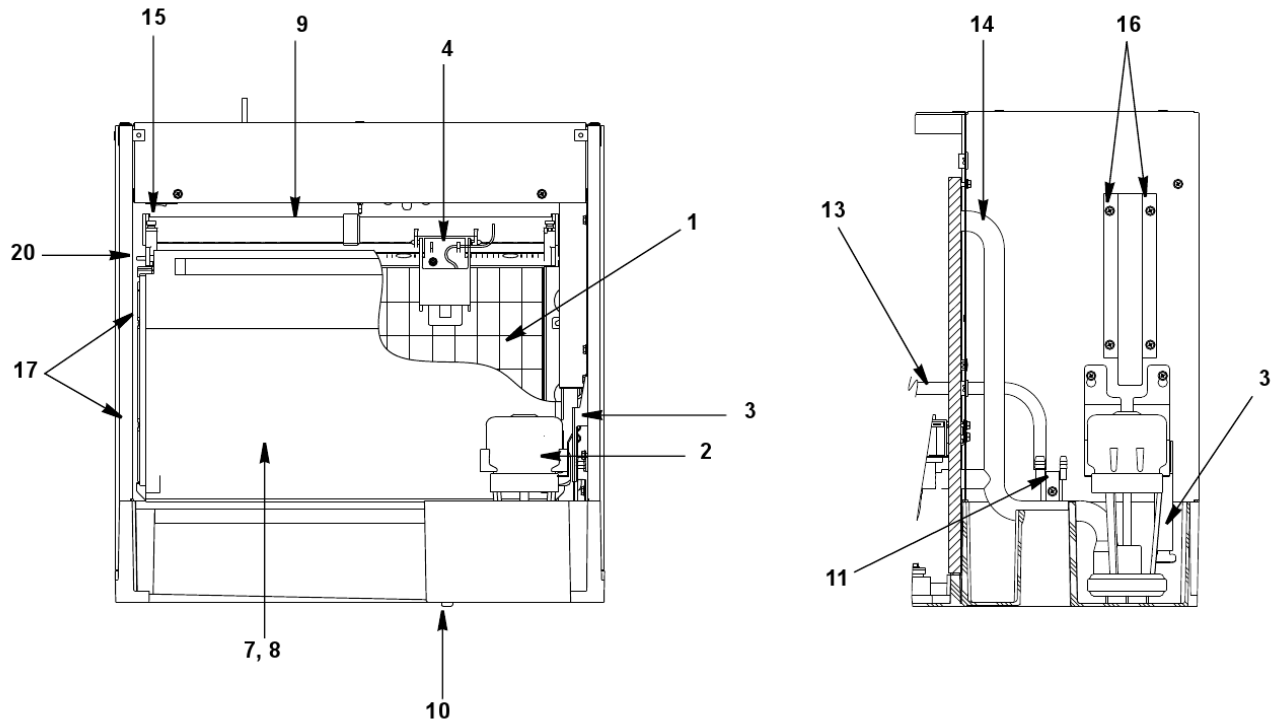
#	PART #	DESCRIPTION	QTY	Note
1	7627823	Control Board		
2	2511003	7 Amp Fuse - Mounted on Control Board		
3	2301343	Toggle Switch Only		
3a	2032173	Toggle Switch with Wiring Harness Attached		
4		Contactor		
4a	2006589	Contactor - 115V/60 Hz/1 Ph		
4b	2006599	Contactor - 230V/50-60 Hz/1 Ph		
5	8505003	PTCR Compressor Starter		
6		Run Capacitor		
6a	2010143	Run Capacitor - 115V/60 Hz/1 Ph		
6b	8504003	Run Capacitor - 208-230V/50-60 Hz/1 Ph		
7a	2355369	High Pressure Cut-out Control		[1]
7b	2001243	High Pressure Cut-out Control		[2]
8		Terminal Board with Wire Harness Attached		
8a	2032283	Wiring Harness - 115V/60 Hz/1 Ph		
8b	2032293	Wiring Harness - 230V/60 Hz/1 Ph		
8c		Wiring Harness - 230V/50 Hz/1 Ph		[3]
9	8373263	Refrigeration Service Valve Assembly		
10	5475039	Locknut - 0.375" - 18 NPS		
11		Control Box		
12	7628033	Control Box Cover		
13	8505023	PTCR Mounting Bracket		
14	4302253	Control Board Mounting Supports		
15	5202169	Screw - #10-24 x 0.50" Ground		
16	5121669	Screw - #8-32 x 0.50"		

PART NOTES:

- [1] - Manual Reset
- [2] - Auto Reset
- [3] - No Longer Available

Q0420

Q0420 - EVAPORATOR COMPARTMENT - COMMON COMPONENTS



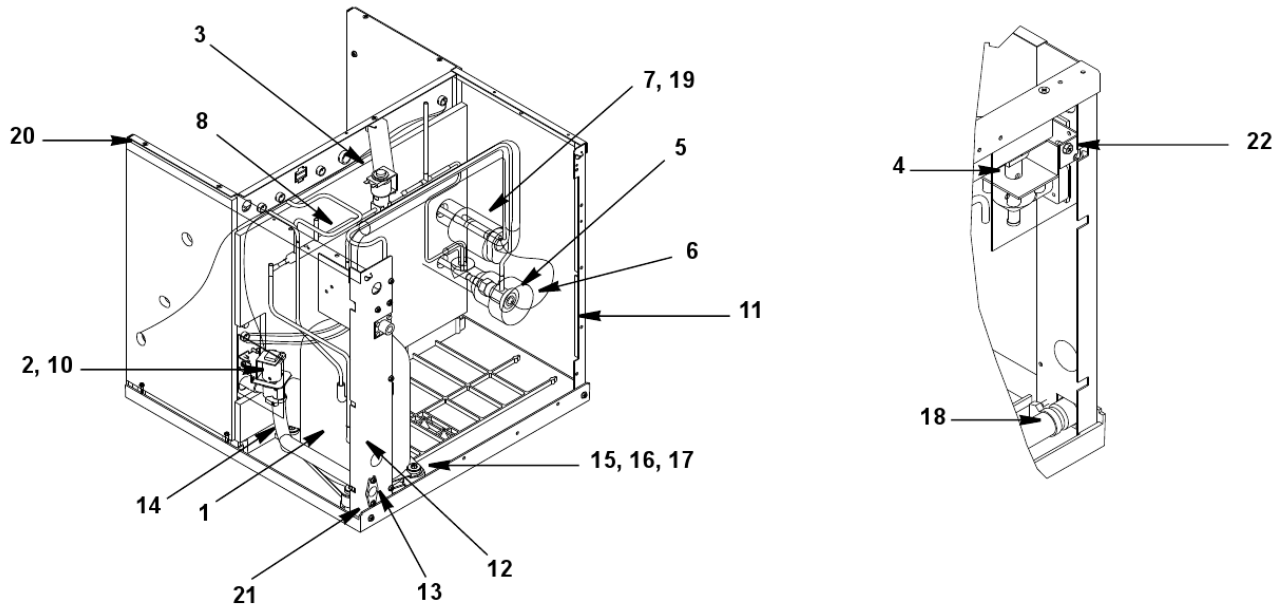
Q0420

Q0420 - EVAPORATOR COMPARTMENT - COMMON COMPONENTS

#	PART #	DESCRIPTION	QTY	Note
1		Evaporator Assembly		
1a	7625129	Evaporator - Regular Cube		
1b	7625119	Evaporator - Dice Cube		
1c	7625109	Evaporator - Half Dice Cube		
2		Water Pump		
2a	7623063	Water Pump - 115V/60 Hz		
2b	7626013	Water Pump - 230V/50-60 Hz		
3	2511293	Water Level Probe		
4	7627813	Ice Thickness Control Probe		
5	2301483	Magnetic Bin Switch		
6	7620543	Water Flow Clamp - Use on Regular Cube Evap. Only		
7	4009113	Water Curtain Up to SN 020566500		
8	4004793	Water Curtain After SN 020566500		
9	7624983	Water Distribution Tube - B/J/Q		
10	4300629	Water Trough Plug		
11	4303883	Water Inlet Flow Tube		
12	7628023	Water Curtain Magnet and Cap		
13	4421113	Water Inlet Tubing 0.375 ID		
14	4009543	Water Pump Tubing		
15	5000013	Thumbscrew - #8-32 x 0.375"		
16	5202069	Screw - #10-24 x 0.50" HEX		
17	5202189	Screw - #10-24 x 0.75"		
18	7628063	Base and Water Trough Repair Kit		
19	7626213	Evaporator Top Molding and Gasket Assembly		
20	7627763	Water Curtain Pin Assembly		

Q0420

Q0420 - REFRIGERATION COMPARTMENT - COMMON COMPONENTS



Q0420

Q0420 - REFRIGERATION COMPARTMENT - COMMON COMPONENTS

#	PART #	DESCRIPTION	QTY	Note
1		Compressor		
1a	7628103	Compressor - Tecumseh - 115V/60 Hz/1 Ph		
1b	8505553	Overload		
1c	7628123	Compressor - Tecumseh - 208-230V/60 Hz/1 Ph		
1d	8505563	Overload		
1e	7628113	Compressor - Tecumseh - 230V/50 Hz/1 Ph		
1f	8505573	Overload		
2		Water Dump Valve		
2a	000001767	Water Dump Valve - 115V/60 Hz		
2b	000001768	Water Dump Valve - 208-230V/50-60 Hz		
3		Hot Gas Valve		
3a	7630011	Danfoss Solenoid Valve With Coil - 115V/60 Hz		
3b	000005156	Danfoss Solenoid Valve Coil Only - 115V/60 Hz		[1]
3c	2404363	Alco Solenoid Valve Coil Only - 115V/60 Hz		
3d	7630071	Danfoss Solenoid Valve With Coil - 208-230V/50-60 Hz		
3e	000005157	Danfoss Solenoid Valve Coil Only - 230V/50-60 Hz		[2]
3f	2404483	Alco Solenoid Valve Coil Only - 230V/50 Hz		
4		Water Inlet Valve		
4a	000007965	Water Inlet Valve - 115V/60 Hz/1 Ph		
4b	000007966	Water Inlet Valve - 208-230V/50-60 Hz		
5	7600193	Expansion Valve		
6		Expansion Valve Body Insulation Boot		
6a	4007213	Valve Insulation Boot - Body		
6b	4000363	Valve Insulation Boot - Body		
7	4007203	Valve Insulation Boot - Bulb		[3]
8	8310163	Manifold Strainer		
9	2078103	Water Pump Electrical Wire Lead		
10	6035641	Dump Valve Mounting Bracket		
11	6025341	Left Corner Post Weldment		
12	6025331	Right Corner Post Weldment		
13	8706083	Female Wing Adapter - 0.50"		
14	4420383	Clear Tubing - 0.625" ID		
15	8503069	Mounting - Rubber Grommet		
16	5573419	Washer		
17	5012309	Compressor Mounting - Screw		
18	5650709	Snap Clamp - 0.799"/0.899" ID		
19	5650529	Clamp - Expansion Valve Bulb		
20	5202099	Screw - #10-24 x 0.50" PHIL		
21	5202069	Screw - #10-24 x 0.50" HEX		
22	6023541	Dump Valve/Water Inlet Valve Mounting Bracket		
23	2006143	Terminal Block - 50 Hz - 3 Pole		[4]

Q0420

Q0420 - REFRIGERATION COMPARTMENT - COMMON COMPONENTS

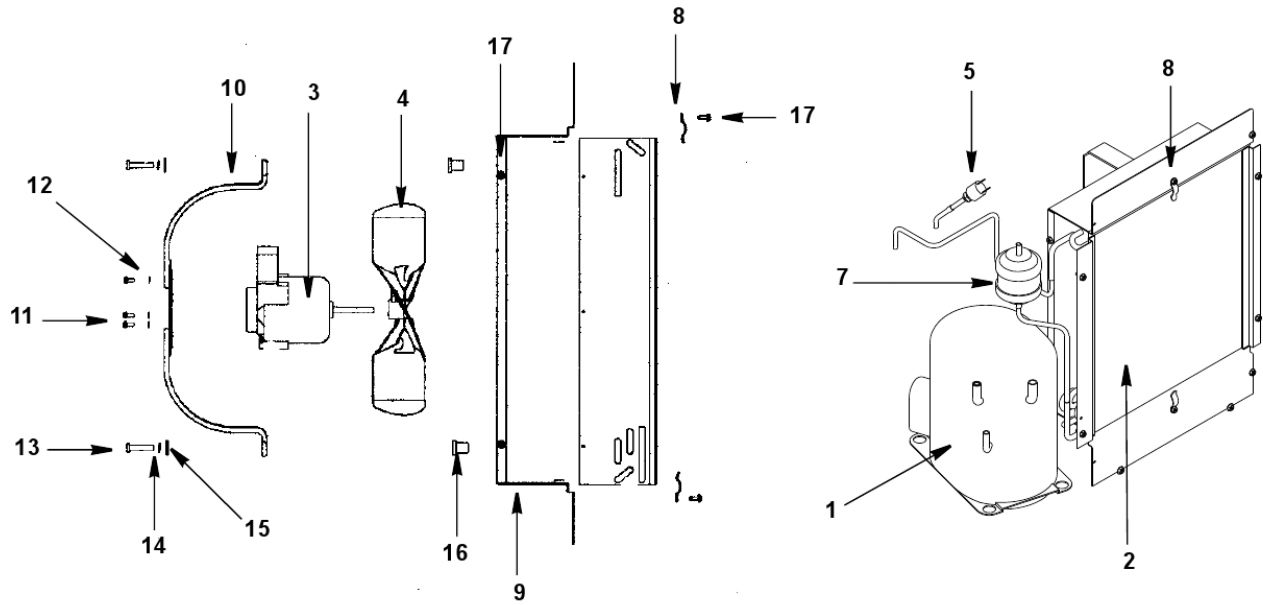
#	PART #	DESCRIPTION	QTY	Note
---	--------	-------------	-----	------

PART NOTES:

- [1] - \pages from 000005156_02.jpg" width=280 height=256>
- [2] - \pages from 000005156_02.jpg" width=266 height=183>
- [3] - \pages from 400720_08.jpg" width=923 height=583>
- [4] - 50 Hz Only

Q0420

Q0420 - REFRIGERATION COMPARTMENT - AIR-COOLED COMPONENTS



Q0420

Q0420 - REFRIGERATION COMPARTMENT - AIR-COOLED COMPONENTS

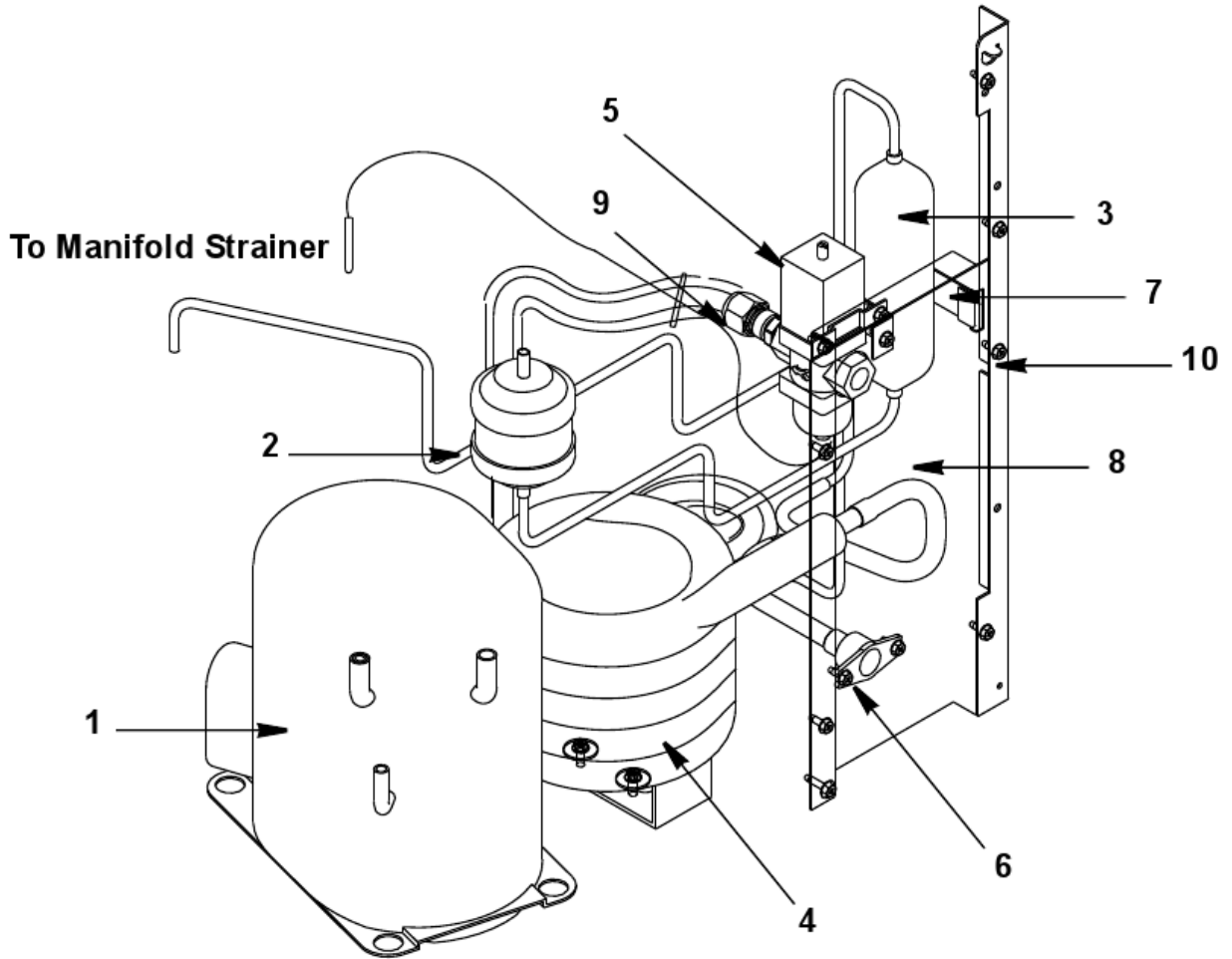
#	PART #	DESCRIPTION	QTY	Note
1		Compressor		[1]
2	8851243	Air Condenser		
3		Fan Motor		
3a	2412929	Fan Motor 115V/60 Hz/1 Ph		
3b	2412939	Fan Motor 208-230V/50-60 Hz		
4	2416203	Fan Blade		
5	2001263	Fan Cycling Control - 200-250 psig		[2]
6	4040233	Air Filter		
7	8930259	Drier		
8	5650699	Air Filter Clip		
9	6061621	Ice Restrictor Q291 Only		
10	3406623	Fan Motor Bracket		
11	5025599	Screw - #8-36 x 0.375"		
12	5504269	Flatwasher #8		
13	5033589	Mounting - Screw		
14	5545109	Lockwasher		
15	5573059	Mounting - Flatwasher		
16	5429559	Mounting - Rubber Wellnut		
17	5202069	Screw - #10-24 x 0.50" HEX		

PART NOTES:

- [1] - Refer to COMMON PARTS Page
- [2] - \pages from 200126_09.jpg" width=150 height=306>

Q0420

Q0420 - REFRIGERATION COMPARTMENT - WATER-COOLED COMPONENTS



Q0420

Q0420 - REFRIGERATION COMPARTMENT - WATER-COOLED COMPONENTS

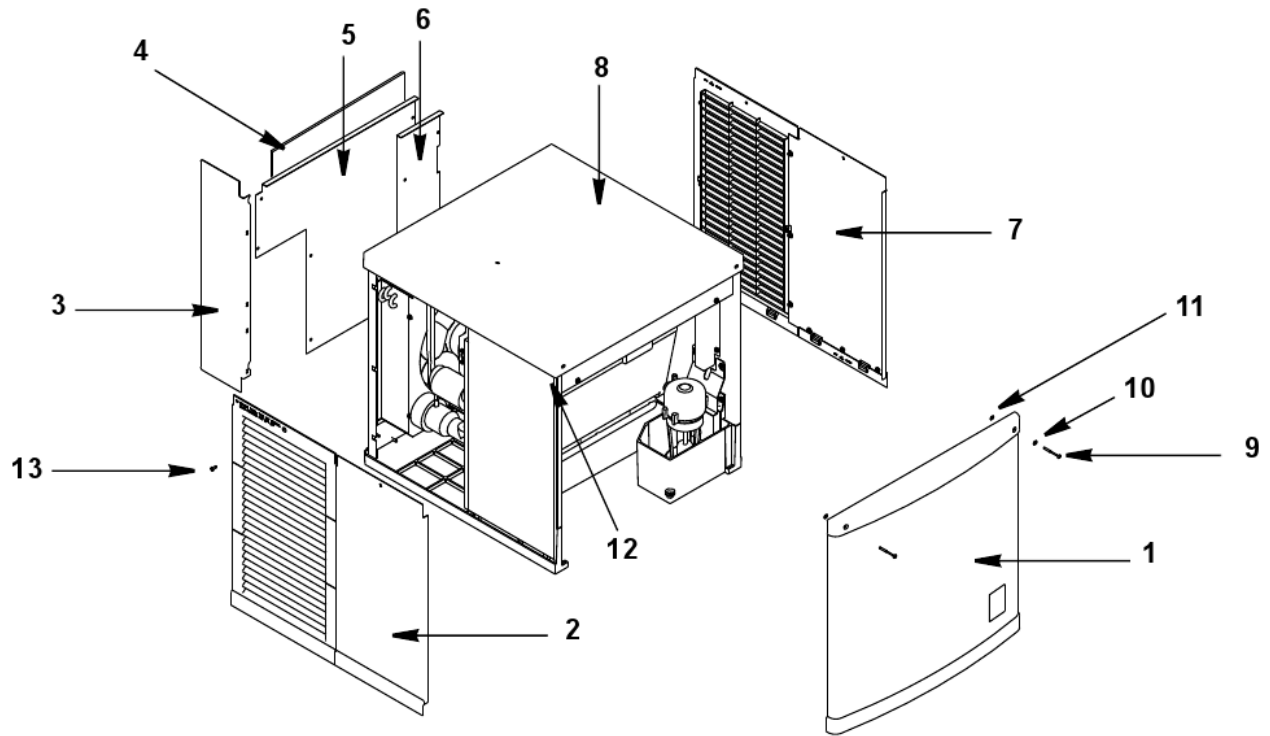
#	PART #	DESCRIPTION	QTY	Note
1		Compressor		[1]
2	8930259	Drier		
3	000008892	Receiver		
4	8865323	Water-Cooled Condenser		
5	8372069	Water Regulating Valve		
6	8706083	Female Wing Adapter - 0.50"		
7	6000541	Receiver Strap		
8	6023501	Water-cooled Coupling Panel		
9	8332023	Water Coupling Connection - 0.375" NPT		
10	5202069	Screw - #10-24 x 0.50" HEX		

PART NOTES:

[1] - Refer to COMMON PARTS Page

Q0420

Q0420 - PANELS



Q0420

Q0420 - PANELS

#	PART #	DESCRIPTION	QTY	Note
1	7628323	Front Panel Assembly		
2	7628333	Left Side Panel		
3	6023751	Air Baffle		
4	4040233	Air Filter		
5	6025471	Back Panel, Water		
6	6025461	Back Panel, Air		
7	7628343	Right Side Panel		
8	4302993	Top Cover		
9	5119019	Screw - #8 x 1.75"		[1]
10	5573389	Washer - Nylon 0.171" x 0.38"		[1]
11	5648279	Screw Retainer - Nylon #8		[1]
12	5473049	Speed Nut - U Type 0.50" x 0.576"		[1]
13	5202099	Screw - #10-24 x 0.50" PHIL		
14	9202509	Extruded Tape		

PART NOTES:

[1] - Items 9, 10, 11 and 12 can be ordered as assembly 7628813.