



Manitowoc
Foodservice
Parts Manual

For more Parts Information:

<https://manitowocfsg.sysonline.com/Default.aspx>

TABLE OF CONTENTS

Manitowoc Foodservice [Updated: Sep. 30, 2013]

Manitowoc - Ice & Related

Parts Catalog

Ice Machine

Q Series

Q Model - Air, Water & Remote

Q0320

Q0320 - Control Box Components 1

Q0320 - Evaporator Compartment - Common Components 3

Q0320 - Refrigeration Compartment - Common Components 5

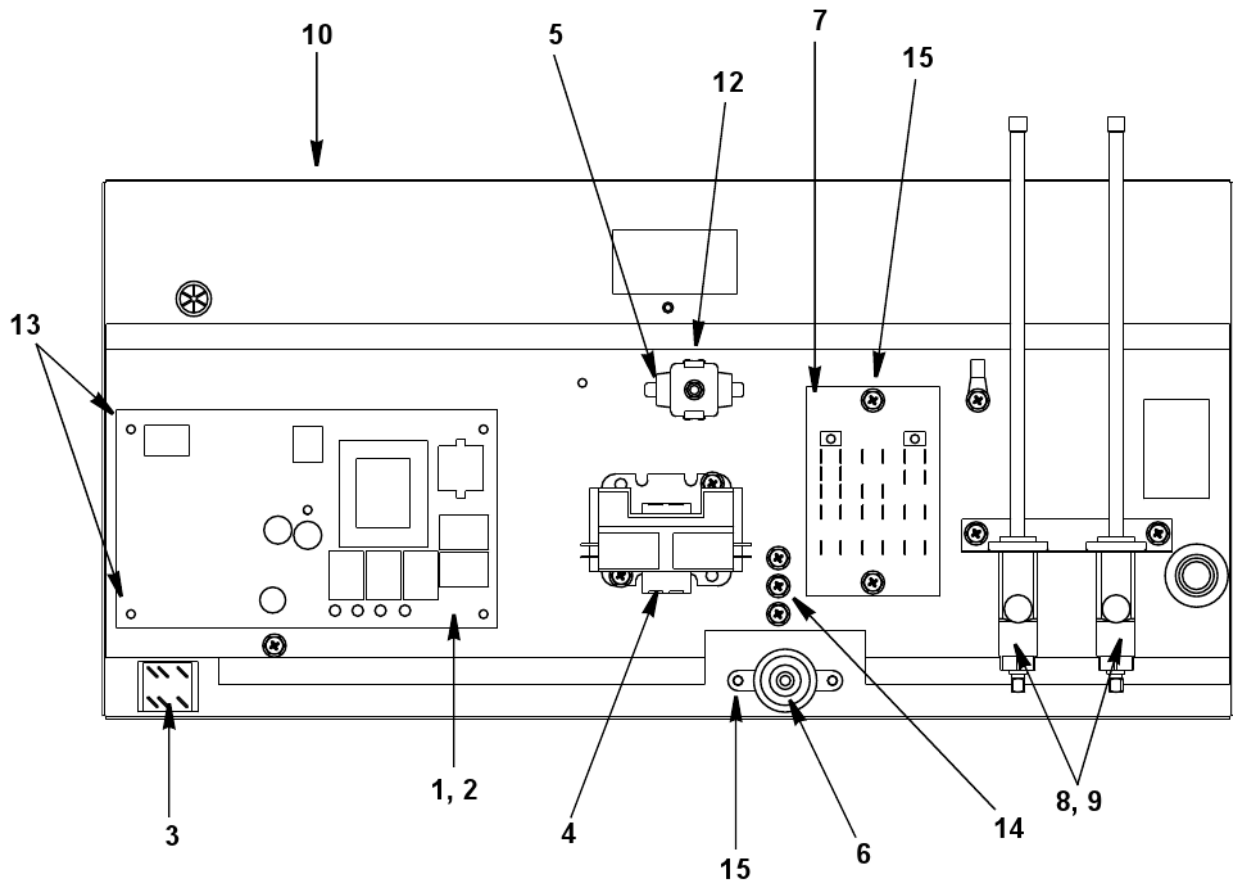
Q0320 - Refrigeration Compartment - Air-cooled Components 8

Q0320 - Refrigeration Compartment - Water-cooled Components 10

Q0320 - Panels 12

Q0320

Q0320 - CONTROL BOX COMPONENTS



Q0320

Q0320 - CONTROL BOX COMPONENTS

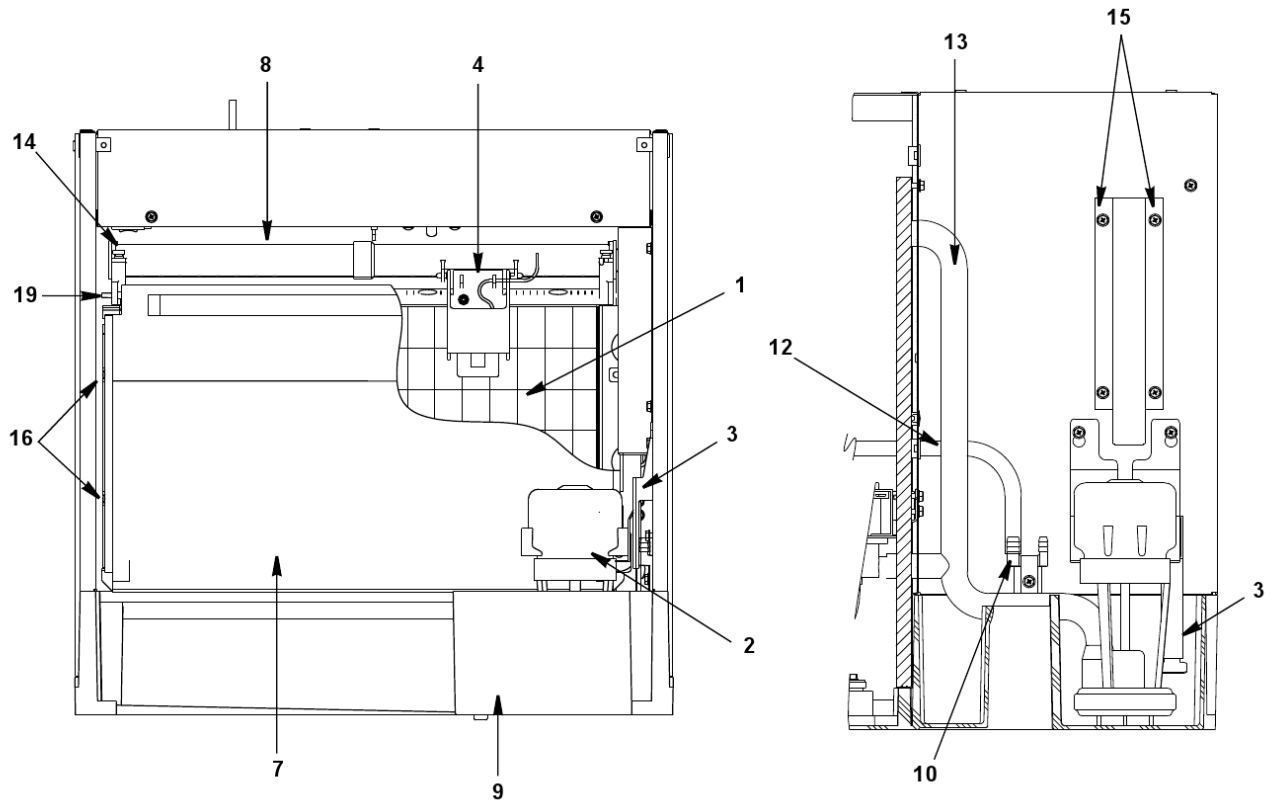
#	PART #	DESCRIPTION	QTY	Note
1	7627823	Control Board		
2	2511003	7 Amp Fuse - Mounted on Control Board		
3	2301343	Toggle Switch Only		
3a	2032173	Toggle Switch with Wiring Harness Attached		
4		Contactor		
4a	2006589	Contactor - 115V/60 Hz/1 Ph		
4b	2006599	Contactor - 230V/50-60 Hz/1 Ph		
5	8505003	PTCR Compressor Starter		
6	2355369	High Pressure Cut-out Control		[1]
6	2001243	High Pressure Cut-out Control		[2]
7		Terminal Board with Wire Harness Attached		
7a	2032443	Wiring Harness - 115-230V/50-60 Hz/1 Ph		[3]
7b	2032453	Wiring Harness - 50 Hz/1 Ph		
8	8373263	Refrigeration Service Valve Assembly		
9	5475039	Locknut - 0.375" - 18 NPS		
10		Control Box		
11	7628033	Control Box Cover		
12	8505023	PTCR Mounting Bracket		
13	4302253	Control Board Mounting Supports		
14	5202169	Screw - #10-24 x 0.50" Ground		
15	5121669	Screw - #8-32 x 0.50"		

PART NOTES:

- [1] - Manual Reset
- [2] - Auto Reset
- [3] - Discontinued

Q0320

Q0320 - EVAPORATOR COMPARTMENT - COMMON COMPONENTS



Q0320

Q0320 - EVAPORATOR COMPARTMENT - COMMON COMPONENTS

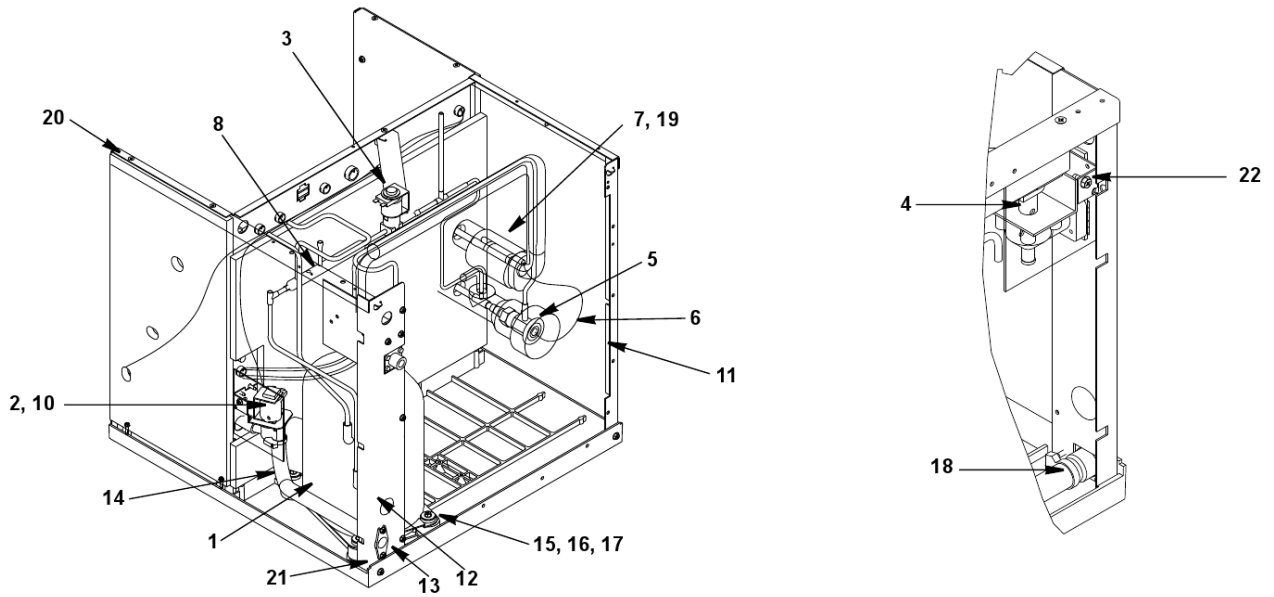
#	PART #	DESCRIPTION	QTY	Note
1		Evaporator Assembly		
1a	7625209	Evaporator - Regular Cube		
1b	7625199	Evaporator - Dice Cube		
1c	7625189	Evaporator - Half Dice Cube		
2		Water Pump		
2a	7623063	Water Pump - 115V/60 Hz		
2b	7626013	Water Pump - 230V/50-60 Hz		
3	2511293	Water Level Probe		
4	7627813	Ice Thickness Control Probe		
5	2301483	Magnetic Bin Switch		
6	7620543	Water Flow Clamp - Use on Regular Cube Evap. Only		[1]
7		Water Curtain - See Note for Serial Break		
7a	4004773	Water Curtain		[2]
7b	4008633	Water Curtain		[3]
8	7624983	Water Distribution Tube - B/J/Q		
9	4300629	Water Trough Plug		
10	4303883	Water Inlet Flow Tube		
11	7628023	Water Curtain Magnet and Cap		
12	4421233	Water Inlet Tubing 0.375" ID		
13	4009513	Water Pump Tubing		
14	5000013	Thumbscrew - #8-32 x 0.375"		
15	5202069	Screw - #10-24 x 0.50" HEX		
16	5202189	Screw - #10-24 x 0.75"		
17	7628063	Base and Water Trough Repair Kit		
18	7626213	Evaporator Top Molding and Gasket Assembly		
19	7627763	Water Curtain Pin Assembly		

PART NOTES:

- [1] - Use on Regular Cube Evap Only
- [2] - After Serial Number 020566886
- [3] - Before Serial Number 020566886

Q0320

Q0320 - REFRIGERATION COMPARTMENT - COMMON COMPONENTS



Q0320

Q0320 - REFRIGERATION COMPARTMENT - COMMON COMPONENTS

#	PART #	DESCRIPTION	QTY	Note
1		Compressor		
1a	7627523	Compressor - 115V/60 Hz/1 Ph		
1b	8505413	Overload for Compressor 7627523		
1c	7627543	Compressor - 208-230V/60 Hz/1 Ph		
1d	8505423	Overload for Compressor 7627543		
1e	7627533	Compressor - 230V/50 Hz/1 Ph		
2		Water Dump Valve		
2a	000001767	Water Dump Valve - 115V/60 Hz		
2b	000001768	Water Dump Valve - 208-230V/50-60 Hz		
3		Hot Gas Valve		
3a	7630011	Danfoss Solenoid Valve With Coil - 115V/60 Hz		
3b	000005156	Danfoss Solenoid Valve Coil Only - 115V/60 Hz		[1]
3c	2404363	Alco Solenoid Valve Coil Only - 115V/60 Hz		
3d	7630071	Danfoss Solenoid Valve With Coil - 208-230V/50-60 Hz		
3e	000005157	Danfoss Solenoid Valve Coil Only - 230V/50-60 Hz		[2]
3f	2404483	Alco Solenoid Valve Coil Only - 230V/50 Hz		
4		Water Inlet Valve		
4a	000007965	Water Inlet Valve - 115V/60 Hz/1 Ph		
4b	000007966	Water Inlet Valve - 208-230V/50-60 Hz		
5	7600183	Expansion Valve		
6		Expansion Valve Body Insulation Boot		
6a	4007213	Valve Insulation Boot - Body		
6b	4000363	Valve Insulation Boot - Body		
7	4007203	Valve Insulation Boot - Bulb		[3]
8	8310163	Manifold Strainer		
9	2078103	Water Pump Electrical Wire Lead		
10	6035641	Dump Valve Mounting Bracket		
11	6017441	Left Corner Post Weldment		
12	6016181	Right Corner Post Weldment		
13	8706083	Female Wing Adapter - 0.50"		
14	4420383	Clear Tubing - 0.625" ID		
15	8503069	Mounting - Rubber Grommet		
16	5573419	Washer		
17	5012309	Compressor Mounting - Screw		
18	5650709	Snap Clamp - 0.799"/0.899" ID		
19	5650529	Clamp - Expansion Valve Bulb		
20	5202099	Screw - #10-24 x 0.50" PHIL		
21	5202069	Screw - #10-24 x 0.50" HEX		
22	6023541	Dump Valve/Water Inlet Valve Mounting Bracket		
23	2006143	Terminal Block - 50 Hz - 3 Pole		[4]

PART NOTES:

[1] - \pages from 000005156_02.jpg" width=280 height=256>

Q0320

Q0320 - REFRIGERATION COMPARTMENT - COMMON COMPONENTS

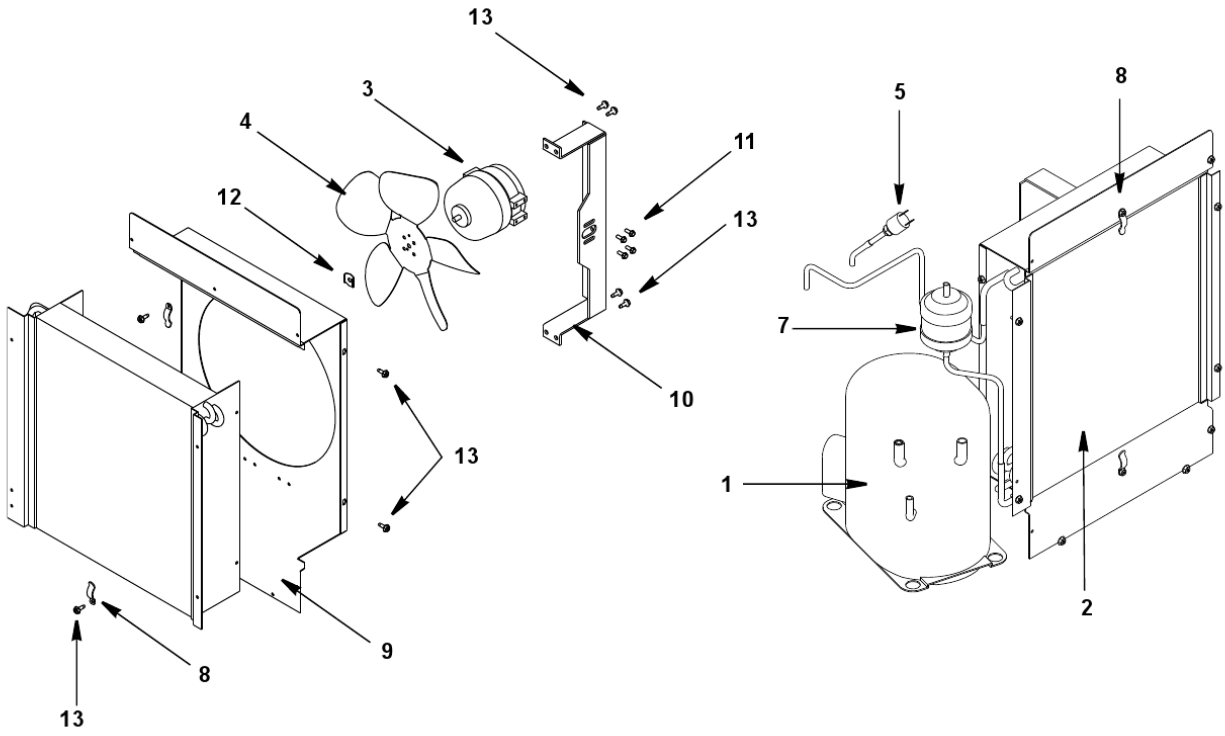
#	PART #	DESCRIPTION	QTY	Note
---	--------	-------------	-----	------

PART NOTES:

- [2] - \pages from 000005156_02.jpg" width=266 height=183>
- [3] - \pages from 400720_08.jpg" width=923 height=583>
- [4] - 50 Hz Only

Q0320

Q0320 - REFRIGERATION COMPARTMENT - AIR-COOLED COMPONENTS



Q0320

Q0320 - REFRIGERATION COMPARTMENT - AIR-COOLED COMPONENTS

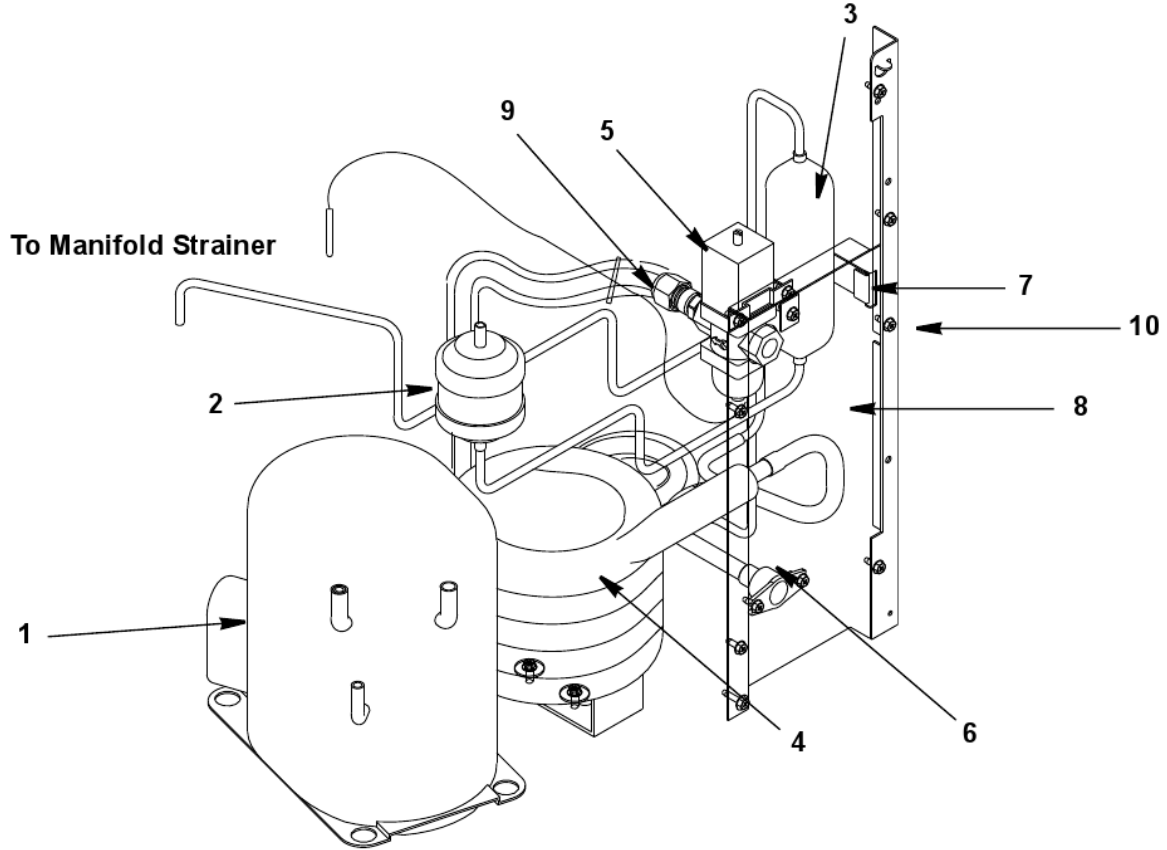
#	PART #	DESCRIPTION	QTY	Note
1		Compressor		[1]
2	8851303	Air Condenser		
3		Fan Motor		
3a	2412813	Fan Motor - 115V/60 Hz		
3b	2412823	Fan Motor - 208-230V/50-60 Hz		
4	2416223	Fan Blade		
5	2001263	Fan Cycling Control - 200-250 psig		[2]
6	4040223	Air Filter		
7	8930259	Drier		
8	5650699	Air Filter Clip		
9	6016191	Fan Shroud		
10	6027431	Fan Motor Mounting Bracket		
11	5025599	Screw - #8-36 x 0.375"		
12	5475079	Speed Nut - 0.25" x 20		
13	5202069	Screw - #10-24 x 0.50" HEX		

PART NOTES:

- [1] - Refer to Q0320 - Refrigeration Compartment - Common Components
- [2] - \pages from 200126_09.jpg" width=150 height=306>

Q0320

Q0320 - REFRIGERATION COMPARTMENT - WATER-COOLED COMPONENTS



Q0320

Q0320 - REFRIGERATION COMPARTMENT - WATER-COOLED COMPONENTS

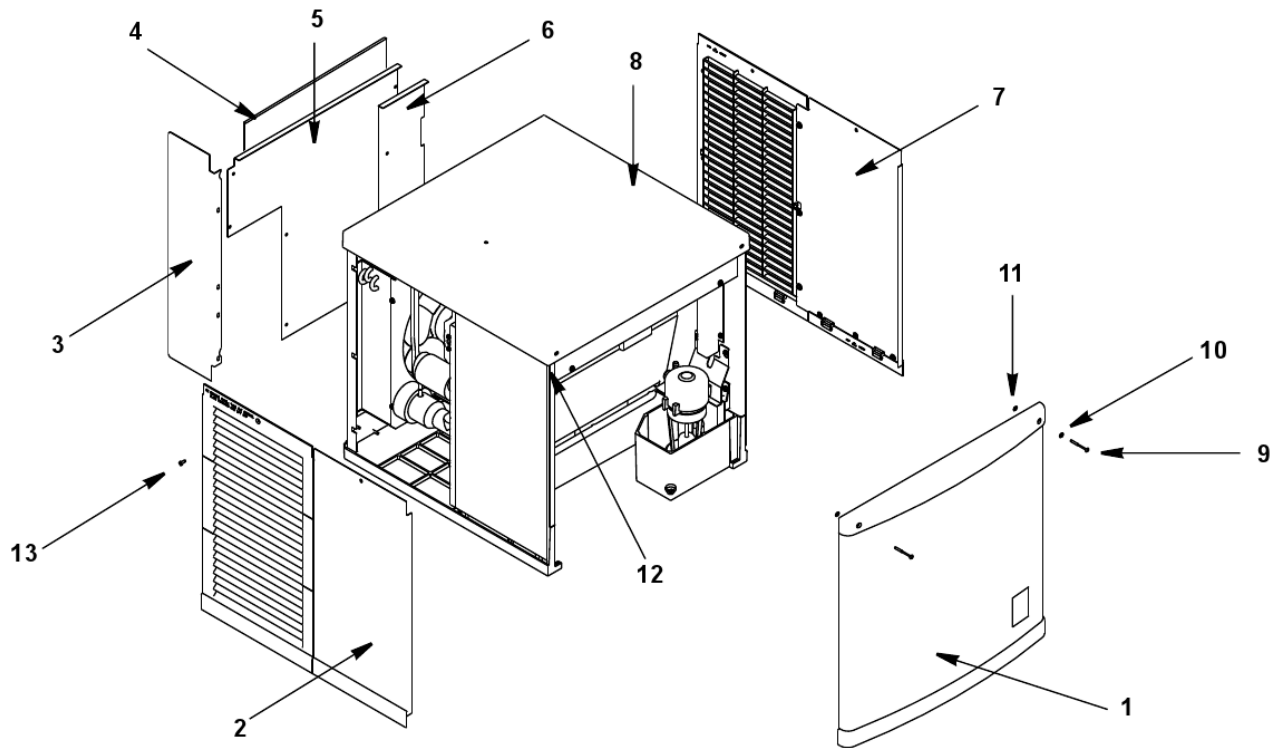
#	PART #	DESCRIPTION	QTY	Note
1		Compressor		[1]
2	8930259	Drier		
3	000008892	Receiver		
4	8865313	Water-cooled Condenser		
5	8372069	Water Regulating Valve		
6	8706083	Female Wing Adapter - 0.50"		
7	6000541	Receiver Strap		
8	6023501	Water-cooled Coupling Panel		
9	8332023	Water Coupling Connection - 0.375" NPT		
10	5202069	Screw - #10-24 x 0.50" HEX		

PART NOTES:

[1] - Refer to Q0320 - Refrigeration Compartment - Common Components

Q0320

Q0320 - PANELS



Q0320

Q0320 - PANELS

#	PART #	DESCRIPTION	QTY	Note
1	7628293	Front Panel Assembly		
2	7628303	Left Side Panel		
3	6023631	Air Baffle		
4	4040223	Air Filter		
5	6025181	Back Panel, Water		
6	6016361	Back Panel, Air		
7	7628313	Right Side Panel		
8	4302993	Top Cover		
9	5119019	Screw - #8 x 1.75"		[1]
10	5573389	Washer - Nylon 0.171" x 0.38"		[1]
11	5648279	Screw Retainer - Nylon #8		[1]
12	5473049	Speed Nut - U Type 0.50" x 0.576"		[1]
13	5202099	Screw - #10-24 x 0.50" PHIL		
14	9202509	Extruded Tape		

PART NOTES:

[1] - Items 9, 10, 11 and 12 can be ordered as assembly 7628813.