



Manitowoc
Foodservice
Parts Manual

For more Parts Information:

<https://manitowocfsg.sysonline.com/Default.aspx>

TABLE OF CONTENTS

Manitowoc Foodservice [Updated: Sep. 30, 2013]

Manitowoc - Ice & Related

Parts Catalog

Ice Machine

Q Series

Q Model - Air, Water & Remote

Q0280

Q0280 - Control Box Components 1

Q0280 - Evaporator Compartment - Common Components 3

Q0280 - Refrigeration Compartment - Common Components 5

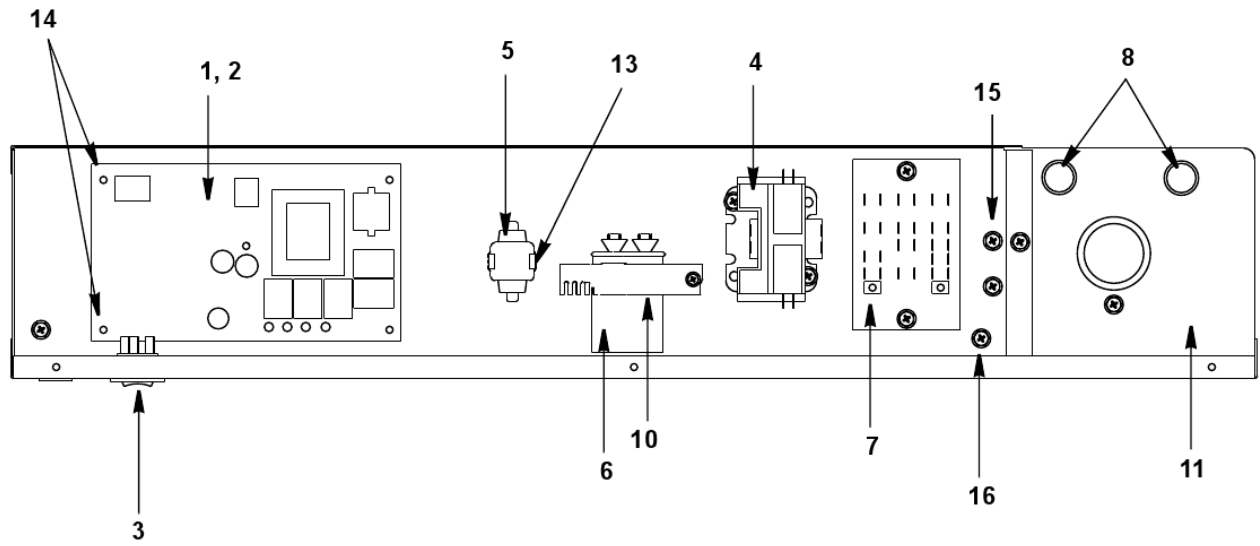
Q0280 - Refrigeration Compartment - Air-cooled Components 8

Q0280 - Refrigeration Compartment - Water-cooled Components 10

Q0280 - Panels 12

Q0280

Q0280 - CONTROL BOX COMPONENTS



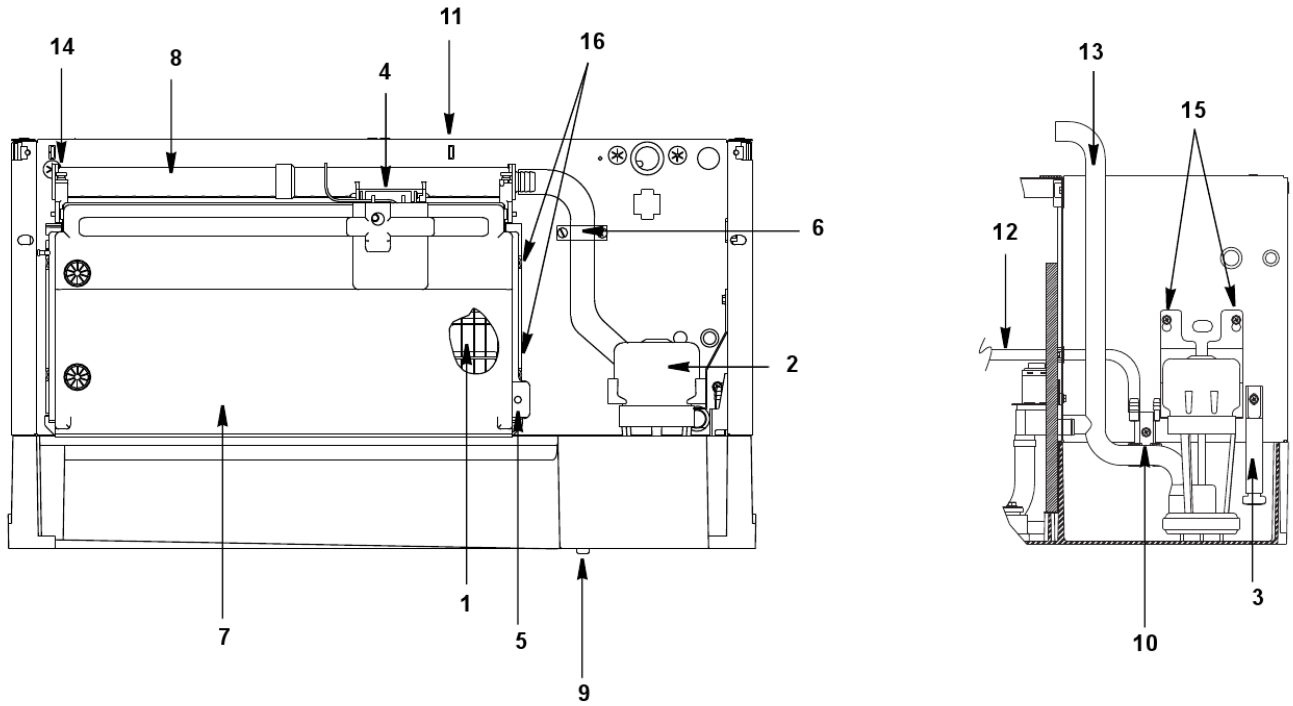
Q0280

Q0280 - CONTROL BOX COMPONENTS

#	PART #	DESCRIPTION	QTY	Note
1	7627823	Control Board		
2	2511003	7 Amp Fuse - Mounted on Control Board		
3	2301343	Toggle Switch Only		
3a	2032173	Toggle Switch with Wiring Harness Attached		
4		Contactor		
4a	2006569	Contactor - 115V/60 Hz/1 Ph		
4b	2006579	Contactor - 230V/50-60 Hz/1 Ph		
5	8505003	PTCR Compressor Starter		
6	8504003	Run Capacitor - 208-230V/50-60 Hz/1 Ph		
7		Terminal Board with Wire Harness Attached		
7a	2032823	Wiring Harness - 115V/60 Hz/1 Ph		
7b	2032893	Wiring Harness - 208-230V/60 Hz/1 Ph		
7c	2032833	Wiring Harness - 208-230V/50 Hz/1 Ph		
8	8373263	Refrigeration Service Valve Assembly		
9	2001243	High Pressure Cut-out Control		
10	6033131	Capacitor Mounting Bracket		
11	6051051	Control Box		
12	7628053	Control Box Cover		
13	8505023	PTCR Mounting Bracket		
14	4302253	Control Board Mounting Supports		
15	5202169	Screw - #10-24 x 0.50" Ground		
16	5202069	Screw - #10-24 x 0.50" HEX		

Q0280

Q0280 - EVAPORATOR COMPARTMENT - COMMON COMPONENTS



Q0280

Q0280 - EVAPORATOR COMPARTMENT - COMMON COMPONENTS

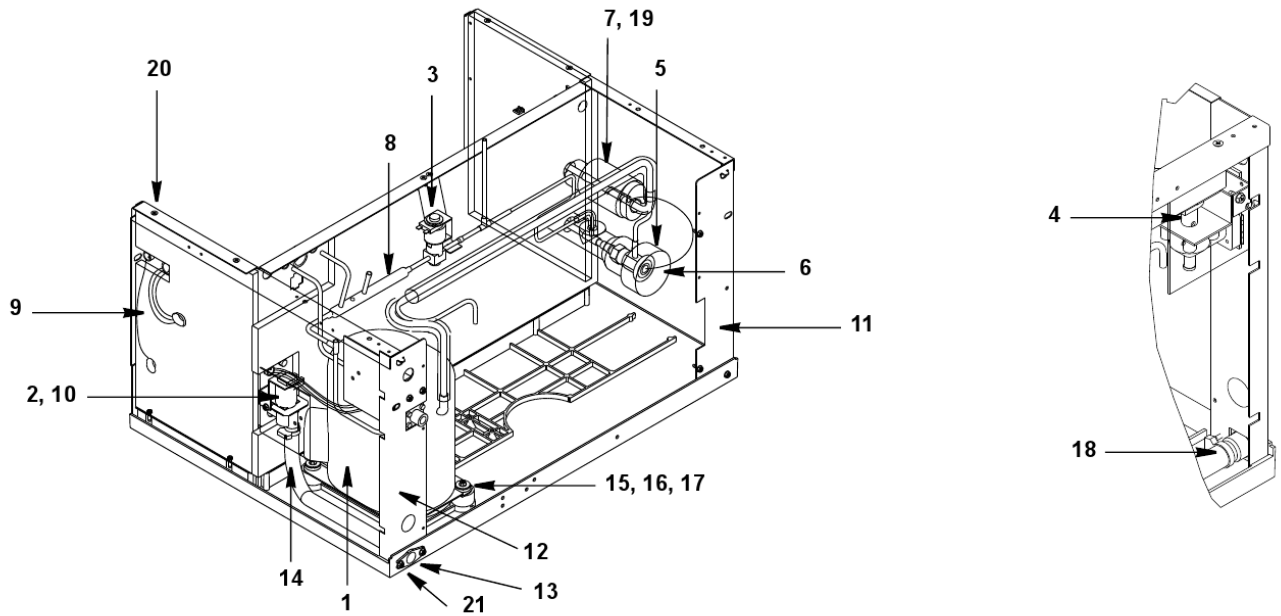
#	PART #	DESCRIPTION	QTY	Note
1		Evaporator Assembly		
1a	7625859	Evaporator - Regular Cube		
1b	7625849	Evaporator - Dice Cube		
1c	7626589	Evaporator - Half Dice Cube		
2		Water Pump		
2a	7623063	Water Pump - 115V/60 Hz		
2b	7626013	Water Pump - 230V/50-60 Hz		
3	2511293	Water Level Probe		
4	7627813	Ice Thickness Control Probe		
5	2301483	Magnetic Bin Switch		[1]
6	7620543	Water Flow Clamp - Use on Regular Cube Evap. Only		[2]
7	4004783	Water Curtain		
7a	7628023	Water Curtain Magnet and Cap		
7b	7627763	Water Curtain Pin Assembly		
8	7624983	Water Distribution Tube - B/J/Q		
9	4300629	Water Trough Plug		
10	4303883	Water Inlet Flow Tube		
11	5650909	Clip		
12	4421233	Water Inlet Tubing 0.375" ID		
13	4421133	Water Pump Tubing		[3]
14	5000013	Thumbscrew - #8-32 x 0.375"		
15	5202069	Screw - #10-24 x 0.50" HEX		
16	5202189	Screw - #10-24 x 0.75"		
17	7628063	Base and Water Trough Repair Kit		
18	7626213	Evaporator Top Molding and Gasket Assembly		

PART NOTES:

- [1] - Mounted to Evaporator
- [2] - Use on Regular Cube Evap Only
- [3] - Water Pump Out

Q0280

Q0280 - REFRIGERATION COMPARTMENT - COMMON COMPONENTS



Q0280

Q0280 - REFRIGERATION COMPARTMENT - COMMON COMPONENTS

#	PART #	DESCRIPTION	QTY	Note
1		Compressor		
1a	7629363	Compressor - Tecumseh - 115V/60 Hz/1 Ph		
1b	8505733	Overload - 115V/60 Hz/1 Ph		
1c	7601363	Compressor - Danfoss - 115V/60 Hz/1 Ph		
1d	8251403	Overload - 115V/60 Hz/1 Ph		
1e	2002053	Start Potential Relay - 115V/60 Hz/1 Ph		
1f	8505773	Start Capacitor - 115V/60 Hz/1 Ph		
1g	7629373	Compressor - Tecumseh - 208-230V/60 Hz/1 Ph		
1h	8505743	Overload - 208-230V/60 Hz/1 Ph		
1i	7601373	Compressor - Danfoss - 230V/50 Hz/1 Ph		
1j	2002103	Start Potential Relay - 230V/50-60 Hz/1 Ph		
1k	8503723	Start Capacitor - 208-230V/50-60 Hz/1 Ph		
1l	7629383	Compressor - Tecumseh - 230V/50 Hz/1 Ph		
1m	8505753	Overload - 230V/50 Hz/1 Ph		
1n	7601373	Compressor - Danfoss - 230V/50 Hz/1 Ph		
1p	8503723	Start Capacitor - 208-230V/50-60 Hz/1 Ph		
1o	2002103	Start Potential Relay - 230V/50-60 Hz/1 Ph		
2		Water Dump Valve		
2a	000001767	Water Dump Valve - 115V/60 Hz		
2b	000001768	Water Dump Valve - 208-230V/50-60 Hz		
3		Hot Gas Valve		
3a	7630011	Danfoss Solenoid Valve With Coil - 115V/60 Hz		
3b	000005156	Danfoss Solenoid Valve Coil Only - 115V/60 Hz		[1]
3c	2404363	Alco Solenoid Valve Coil Only - 115V/60 Hz		
3d	7630071	Danfoss Solenoid Valve With Coil - 208-230V/50-60 Hz		
3e	000005157	Danfoss Solenoid Valve Coil Only - 230V/50-60 Hz		[2]
3f	2404483	Alco Solenoid Valve Coil Only - 230V/50 Hz		
4		Water Inlet Valve		
4a	000007965	Water Inlet Valve - 115V/60 Hz/1 Ph		
4b	000007966	Water Inlet Valve - 208-230V/50-60 Hz		
5	7600183	Expansion Valve		
6		Expansion Valve Insulation		
6a	4007213	Valve Insulation Boot - Body		
6b	4000363	Valve Insulation Boot - Body		
7	4007203	Valve Insulation Boot - Bulb		[3]
8	8310233	Manifold Strainer		
9	2077203	Water Pump Electrical Wire Lead		
10	6023541	Dump Valve/Water Inlet Valve Mounting Bracket		
11	6021771	Left Corner Post Weldment		[4]
12	6021761	Right Corner Post Weldment		
13	8706083	Female Wing Adapter - 0.50"		
14	4420383	Clear Tubing - 0.625" ID		

Q0280

Q0280 - REFRIGERATION COMPARTMENT - COMMON COMPONENTS

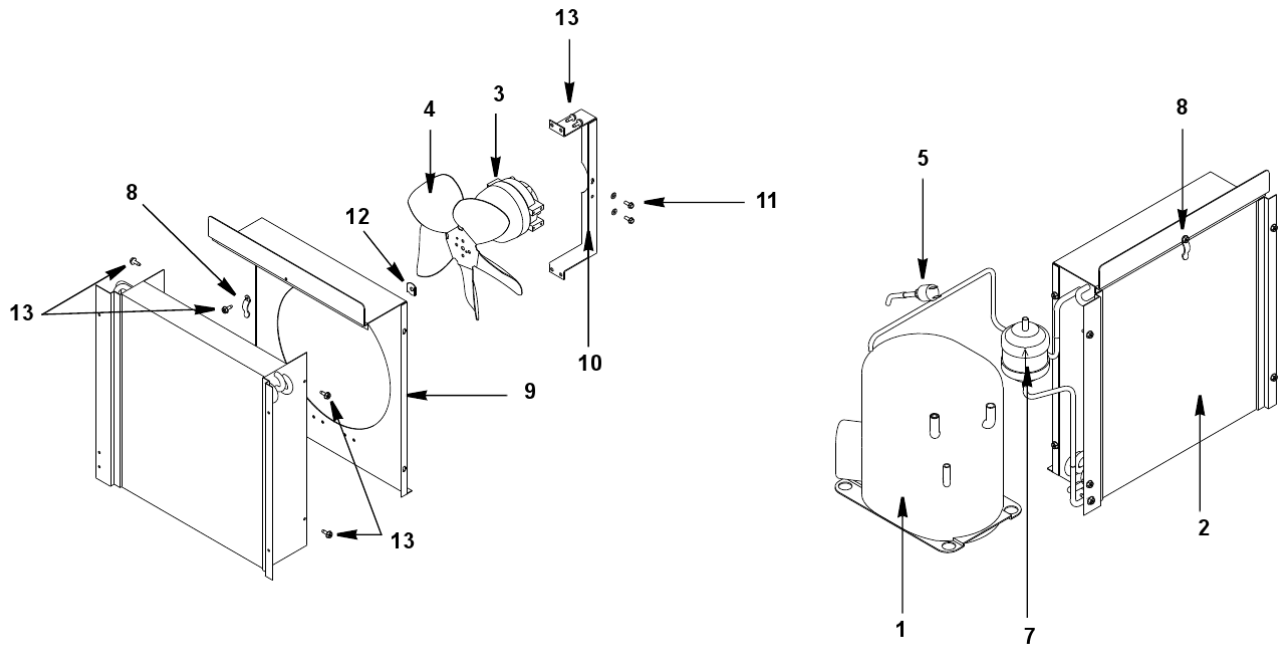
#	PART #	DESCRIPTION	QTY	Note
15	8503069	Mounting - Rubber Grommet		
16	5573419	Washer		
17	5012309	Compressor Mounting - Screw		
18	5650709	Snap Clamp - 0.799"/0.899" ID		
19	5650529	Clamp - Expansion Valve Bulb		
20	5202099	Screw - #10-24 x 0.50" PHIL		
21	5202189	Screw - #10-24 x 0.75"		
22	2006143	Terminal Block - 50 Hz - 3 Pole		[5]

PART NOTES:

- [1] - \pages from 000005156_02.jpg" width=280 height=256>
- [2] - \pages from 000005156_02.jpg" width=266 height=183>
- [3] - \pages from 400720_08.jpg" width=923 height=583>
- [4] - Discontinued
- [5] - 50 Hz only

Q0280

Q0280 - REFRIGERATION COMPARTMENT - AIR-COOLED COMPONENTS



Q0280

Q0280 - REFRIGERATION COMPARTMENT - AIR-COOLED COMPONENTS

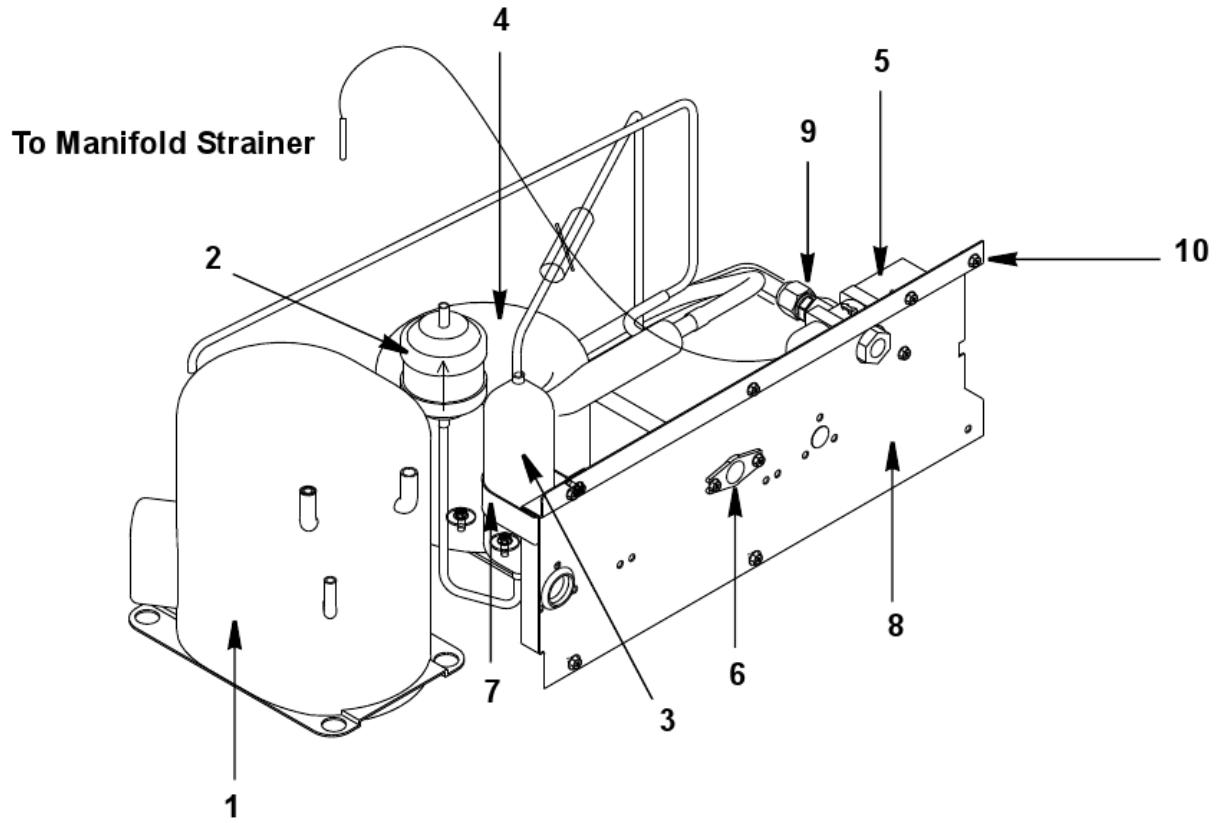
#	PART #	DESCRIPTION	QTY	Note
1		Compressor		[1]
2	8851303	Air Condenser		
3		Fan Motor		
3a	2412813	Fan Motor - 115V/60 Hz		
3b	2412823	Fan Motor - 208-230V/50-60 Hz		
4	2416223	Fan Blade		
5	2001263	Fan Cycling Control - 200-250 psig		[2]
6	4040193	Air Filter		
7	8930259	Drier		
8	5650699	Air Filter Clip		
9	6031601	Fan Shroud		
10	6887814	Fan Motor Mounting Bracket		[3]
11	5025599	Screw - #8-36 x 0.375"		
12	5475079	Speed Nut - 0.25" x 20		
13	5202069	Screw - #10-24 x 0.50" HEX		

PART NOTES:

- [1] - Refer to Q0280 - Refrigeration Compartment - Common Components
- [2] - \pages from 200126_09.jpg" width=150 height=306>
- [3] - Discontinued

Q0280

Q0280 - REFRIGERATION COMPARTMENT - WATER-COOLED COMPONENTS



Q0280

Q0280 - REFRIGERATION COMPARTMENT - WATER-COOLED COMPONENTS

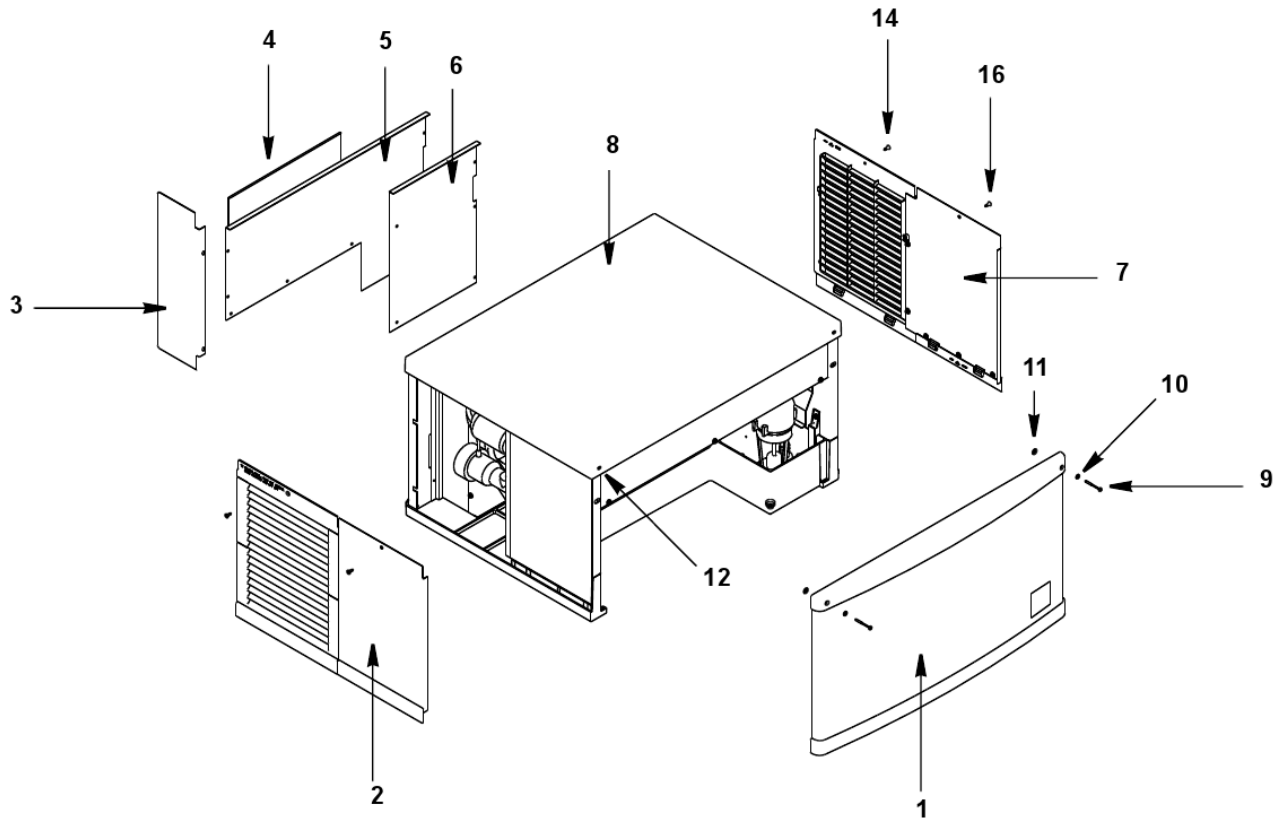
#	PART #	DESCRIPTION	QTY	Note
1		Compressor		[1]
2	8930259	Drier		
3	000008892	Receiver		
4	8865313	Water-cooled Condenser		
5	8372069	Water Regulating Valve		
6	8706083	Female Wing Adapter - 0.50"		
7	6000541	Receiver Strap		
8	6019061	Back Panel		
9	8332023	Water Coupling Connection - 0.375" NPT		
10	5202069	Screw - #10-24 x 0.50" HEX		

PART NOTES:

[1] - Refer to Q0280 - Refrigeration Compartment - Common Components

Q0280

Q0280 - PANELS



Q0280

Q0280 - PANELS

#	PART #	DESCRIPTION	QTY	Note
1	7628073	Front Panel Assembly		
2	7628083	Left Side Panel		
3	6023741	Air Baffle		
4	4040193	Air Filter		
5	6024341	Back Panel - Water		
6	6024331	Back Panel - Air		[1]
7	7628093	Right Side Panel		
8	4303313	Top Cover		
9	5119019	Screw - #8 x 1.75"		
10	5573389	Washer - Nylon 0.171" x 0.38"		
11	5648279	Screw Retainer - Nylon #8		
12	5473039	Speed Nut Assembly to Mount Front Cover		
13	7628983	Front Cover Screw Assembly		[2]
14	5202099	Screw - #10-24 x 0.50" PHIL		
15	9202509	Extruded Tape		
16	5023509	Screw, #10-24 x 0.375 Phillips		[1]

PART NOTES:

- [1] - Discontinued
- [2] - Includes 2 of each #9, #10, #11, #12