



HOW TO READ A MODEL NUMBER

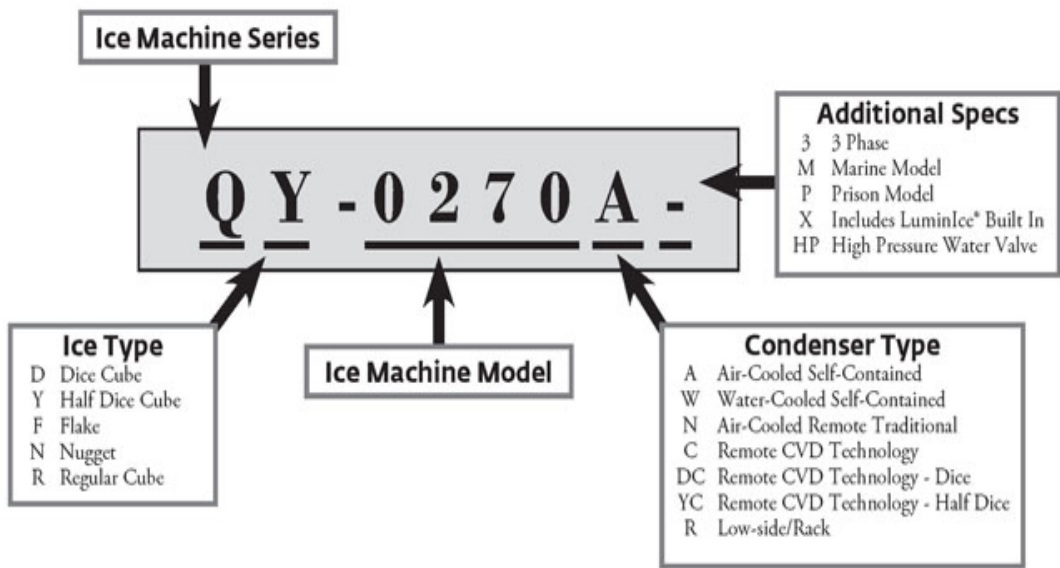
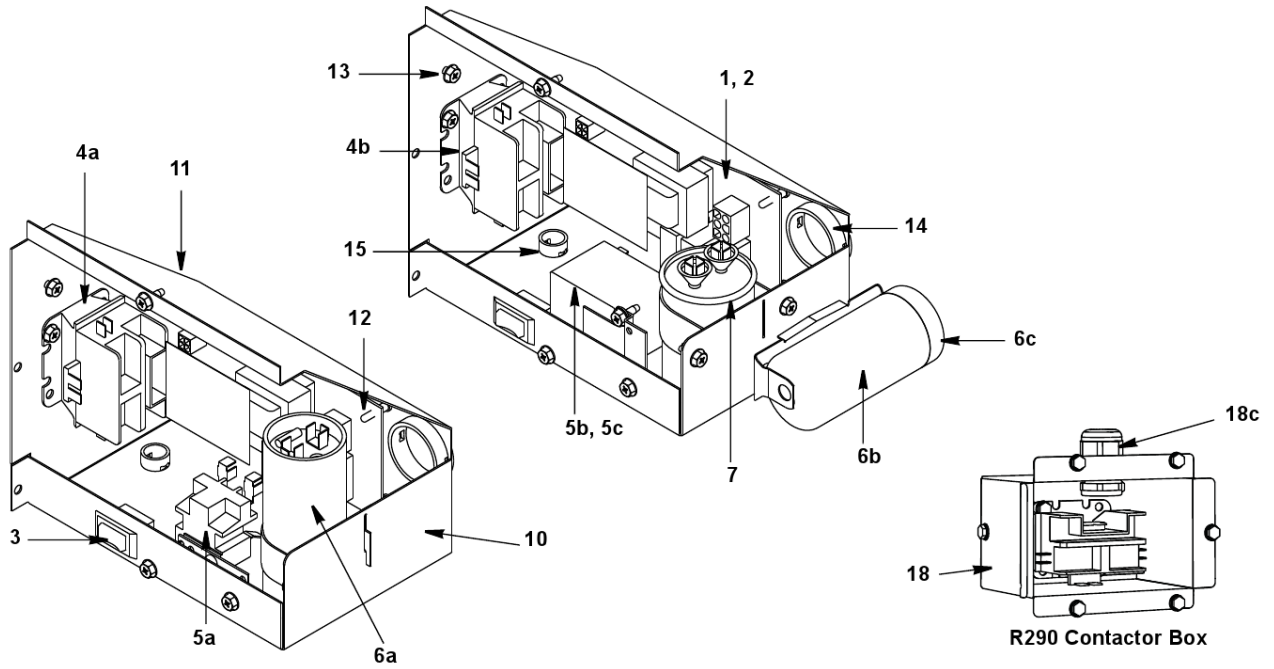


TABLE OF CONTENTS

Q0270	
Q270 - Control Box Components	1
Q270 - Evaporator Compartment - Common Components	3
Q270 - Refrigeration Compartment - Common Components	6
Q270 - Refrigeration Compartment - Air-cooled Components	10
Q270 - Refrigeration Compartment - Water-cooled Components	12
Q270 - Panels	14

Q0270

Q270 - CONTROL BOX COMPONENTS



Q0270

Q270 - CONTROL BOX COMPONENTS

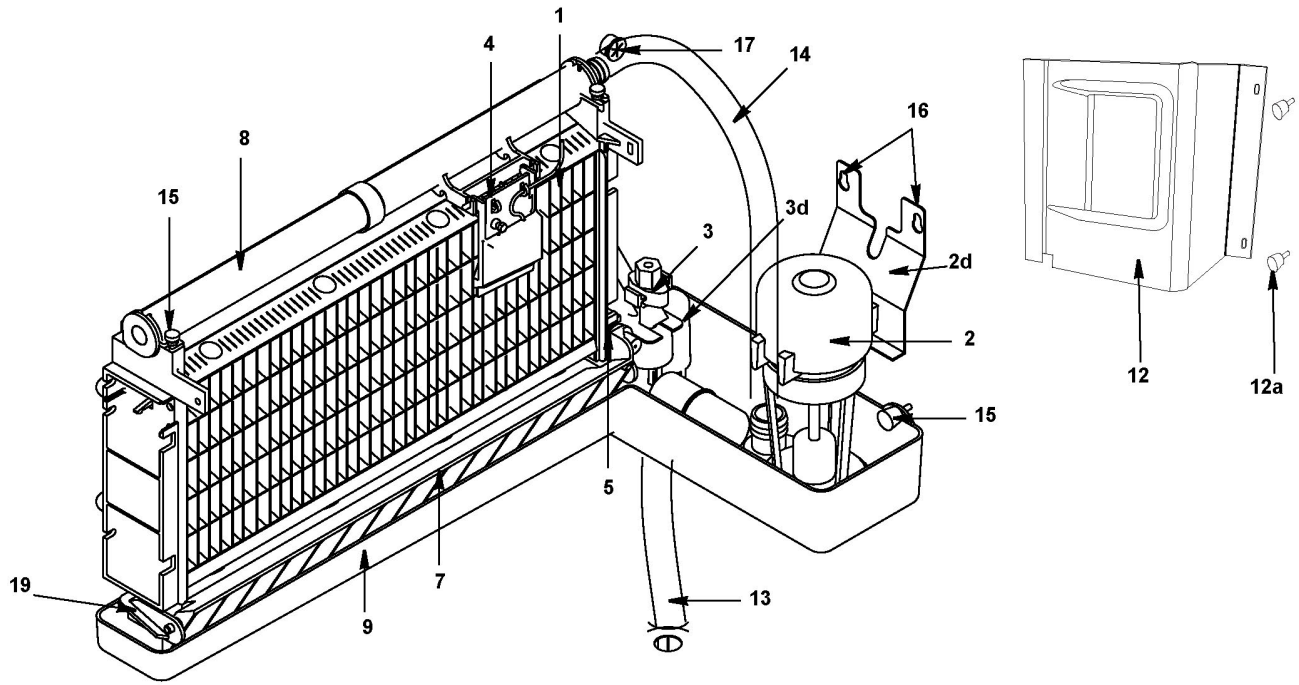
#	PART #	DESCRIPTION	QTY	Note
1	7629073	Control Board		
2	2511493	10 Amp Fuse		
3	2301513	Toggle Switch		
3a	2032483	Wiring Harness - Toggle Switch		
4		Contactor		
4a	2006569	Contactor - 115V/60 Hz/1 Ph		
4b	2006579	Contactor - 230V/50-60 Hz/1 Ph		
5		Start Relay		[1]
6		Start Capacitor		[1]
7		Run Capacitor		[1]
8		Wiring Harness		
8a	040000907	Wiring Harness - Air-cooled		
8b	040002356	Wiring Harness - R290 Air-Cooled		
8c	040000906	Wiring Harness - Water-Cooled		
8d	2007003	Ice Thickness Control Probe		
9		Power Cord		
9a	040001257	Power Cord - 115V/60 Hz		[2]
9b	2002163	Power Cord - 230V/60 Hz		[2]
9c	000000082	Power Cord - 230V/50 Hz		[2]
10	000001358	Control Box		
10a	040002358	Control Box - R290 230V/50 Hz/1 Ph		
11	000001359	Control Box Cover		
11a	040002357	Control Box Cover - R290 230V/50 Hz/1 Ph		
12	4302253	Control Board Mounting Supports		
13	5202323	Screw, #10-24 x .50 Ground		
13a	5573203	Lockwasher, #10		
14	2500139	Bushing - 1.5"		
15	2502189	Bushing - 0.625"		
		R290 Components		
16	2502283	Strain Relief		
17	040002245	Access Valve		
17a	000009148	Access Valve Cap		
18	000009209	R290 Contactor Box		
18a	000009210	R290 Contactor Box Cover		
18b	000009989	R290 Mounting Bracket		
18c	000009211	R290 Contactor Box False Bottom		
18d	000009229	R290 Liquid Tight Cord Grip		
18e	000009262	R290 Contactor Wiring Harness - 230V/50 Hz/1 Ph		

PART NOTES:

- [1] - Refer to Refrigeration Common Components - Compressor
- [2] - Not shown

Q0270

Q270 - EVAPORATOR COMPARTMENT - COMMON COMPONENTS



Q0270

Q270 - EVAPORATOR COMPARTMENT - COMMON COMPONENTS

#	PART #	DESCRIPTION	QTY	Note
1		Evaporator Assembly		
1a	7629549	Evaporator - Regular Cube		
1b	7629559	Evaporator - Dice Cube		
1c	7629569	Evaporator - Half Dice Cube		
2		Water Pump		
2a	7623063	Water Pump - 115V/60 Hz		
2b	7626013	Water Pump - 230V/50-60 Hz		[1]
2c	040000945	Water Pump - 230V/50-60 Hz		[2]
2d	040001514	Water Pump Mounting Plate		
3	7602133	Float Valve Assembly		[3]
3	8369049	Float Valve Assembly		[4]
3a	8369069	Float Valve Screen		
3b	8369089	Float Valve Plunger		
3c	5650729	Compression Nut		
3d	7621403	Bracket		
4	7601603	Ice Thickness Control Probe		
5	7601613	Magnetic Bin Switch		
6	7620543	Water Flow Clamp - Use on Regular Cube Evap. Only		
7	7600483	Ice Damper		
7a	7629093	Ice Damper Magnet and Cap		
8	040002531	Water Distribution Tube - Q170/Q210/Q270		
9	040001251	Water Trough		
10	4420291	Vinyl Tube - 0.25" OD		
11	4302223	Siphon Cap		
12	000006754	Water Pump Cover		
12a	040001217	Thumbscrew - #8-32 x 0.625"		
13	040001219	Drain Tube		
14	040001234	Tubing		
15	040001217	Thumbscrew - #8-32 x 0.625"		
16	5202069	Screw - #10-24 x 0.50" HEX		
17	2500169	Bushing - 0.91" OD x 0.44" ID		
18		Water Pump Lead		[5]
18a	2078063	Water Pump Lead - 208-230V/50-60 Hz		[6]
18b	040000847	Water Pump Lead - 208-230V/50-60 Hz		[7]
19	040001766	Evaporator Frame Assembly		[8]

PART NOTES:

- [1] - Before Serial Number 310151004
- [2] - After to Serial Number 31051004
- [3] - Before Serial Number 031100000
- [4] - After Serial Number 031100000
- [5] - Not Shown
- [6] - Up to Serial Number 310151004

Q0270

Q270 - EVAPORATOR COMPARTMENT - COMMON COMPONENTS

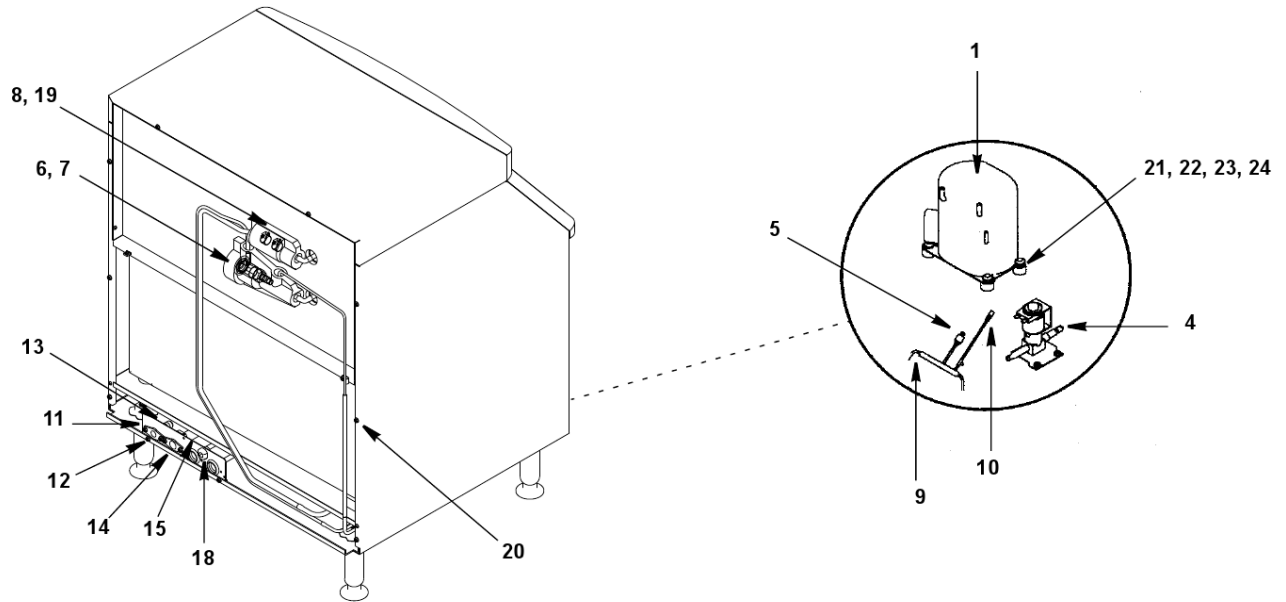
#	PART #	DESCRIPTION	QTY	Note
---	--------	-------------	-----	------

PART NOTES:

- [7] - After to Serial Number 310151004
- [8] - includes top, sides and bottom

Q0270

Q270 - REFRIGERATION COMPARTMENT - COMMON COMPONENTS



Q0270

Q270 - REFRIGERATION COMPARTMENT - COMMON COMPONENTS

#	PART #	DESCRIPTION	QTY	Note
		NOTE: Replace a Tecumseh compressor/start components with a Tecumseh compressor/start components and a Danfoss compressor/start components with a Danfoss compressor/start components.		
		DO NOT INTERCHANGE COMPRESSORS OR START COMPONENTS.		
1		Tecumseh Compressor		
1a	7629363	Compressor - Tecumseh - 115V/60 Hz/1 Ph		
	8503743	Start Relay		
	8505773	Start Capacitor - 115V/60 Hz/1 Ph		
	8505733	Overload - 115V/60 Hz/1 Ph		
1b	7629373	Compressor - Tecumseh - 208-230V/60 Hz/1 Ph		[1]
	8504553	Start Potential Relay - 230V/60 Hz/1 Ph		
	000000022	Start Capacitor - 230V/50-60 Hz/1 Ph		
	8504003	Run Capacitor - 208-230V/50-60 Hz/1 Ph		
	8505743	Overload - 208-230V/60 Hz/1 Ph		
1c	7629383	Compressor - Tecumseh - 230V/50 Hz/1 Ph		
	8504483	Start Potential Relay - 230V/50 Hz/1 Ph		
	000000022	Start Capacitor - 230V/50-60 Hz/1 Ph		
	8504003	Run Capacitor - 208-230V/50-60 Hz/1 Ph		
	8505753	Overload - 230V/50 Hz/1 Ph		
2		Danfoss Compressor SC10MLX - Up to 310009591		
2a	7601343	Compressor - Danfoss - 115V/60 Hz/1 Ph		
	8251033	Start Relay - 115V/60 Hz/1 Ph		[2]
	8251023	Start Capacitor - 115V/60 Hz/1 Ph		[2]
2b	7601353	Compressor - Danfoss - 208-230V/50-60 Hz/1 Ph		
	2002243	Start Relay - 208-230V/50-60 Hz/1 Ph		[2]
	8504433	Start Capacitor - 208-230V/50-60 Hz/1 Ph		[2]
2c	7601353	Compressor - Danfoss - 208-230V/50-60 Hz/1 Ph		
	2002243	Start Relay - 208-230V/50-60 Hz/1 Ph		[2]
	8251093	Start Capacitor		[2]
3		Danfoss Compressor SC12MLX - After to 310009591		
3a	7601363	Compressor - Danfoss - 115V/60 Hz/1 Ph		
	2002053	Start Potential Relay - 115V/60 Hz/1 Ph		[2]
	8505773	Start Capacitor - 115V/60 Hz/1 Ph		[2]
3b	7601373	Compressor - Danfoss - 230V/50 Hz/1 Ph		
	2002103	Start Potential Relay - 230V/50-60 Hz/1 Ph		[2]
	000000022	Start Capacitor - 230V/50-60 Hz/1 Ph		[2]
3c	7601373	Compressor - Danfoss - 230V/50 Hz/1 Ph		
	2002103	Start Potential Relay - 230V/50-60 Hz/1 Ph		[2]
	000000022	Start Capacitor - 230V/50-60 Hz/1 Ph		[2]
3d	040002244	R290 - 230V 50 Hz/1 Ph		
	000009950	Start Potential Relay		[2]
	2009493	Run Capacitor - 208-230V/50-60 Hz/1 Ph		[2]
	040002359	Run Capacitor Bracket		
	000009064	Compressor Plug		

Q0270

Q270 - REFRIGERATION COMPARTMENT - COMMON COMPONENTS

#	PART #	DESCRIPTION	QTY	Note
	000009259	Compressor Terminal Cover - R290 - 230V/50 Hz/1 Ph		
4		Harvest Valve		
4a		Danfoss		
	7630011	Danfoss Solenoid Valve With Coil - 115V/60 Hz		
	000005156	Danfoss Solenoid Valve Coil Only - 115V/60 Hz		[3]
	7630071	Danfoss Solenoid Valve With Coil - 208-230V/50-60 Hz		
	000005157	Danfoss Solenoid Valve Coil Only - 230V/50-60 Hz		[4]
	00000805	Bracket		
4b		Alco		
	2404363	Alco Solenoid Valve Coil Only - 115V/60 Hz		
	2404483	Alco Solenoid Valve Coil Only - 230V/50 Hz		
4c		Sanhua		
	040001075	Solenoid Valve Including 115V/60 Hz Electrical Coil		
	040000101	Coil - Solenoid Valve - 115V		
	040001071	Solenoid Valve Including 208-230V/50-60 Hz Electrical Coil		
	040000103	Coil - Solenoid Valve - 208-230V/50-60 Hz		
	040000672	Bracket		
5	2001243	High Pressure Cut-out Control		
5a	000008876	High Pressure Cut-out Control - R290 230V/50 Hz/1 Ph		
6	7602893	Expansion Valve		
6a	000009954	Expansion Valve - R290 - 230V/50 Hz/1 Ph		
7		Expansion Valve Body Insulation Boot		
7a	4007213	Valve Insulation Boot - Body		
7b	4000363	Valve Insulation Boot - Body		
8	4007203	Valve Insulation Boot - Bulb		[5]
9	8251063	Manifold Strainer		
9a	040002227	Manifold Strainer - R290 230V/50 Hz/1 Ph		
10	8373253	Access Valve		
11	6034601	Coupling Panel - Water/Electrical		
12	8706093	Female Wing Adapter - 0.375"		
13	1360961	Male Connector		
14	8706133	Female Wing Adapter - 0.50"		
15	4421463	Bin Drain Tubing		[6]
16	5650649	Hose Clamp - 0.759"/0.848" ID		[7]
17	4420291	Vinyl Tube - 0.25" OD		
18	2502283	Strain Relief		[8]
19	5650529	Clamp - Expansion Valve Bulb		
20	5202069	Screw - #10-24 x 0.50" HEX		
21	8503069	Mounting - Rubber Grommet		
22	5573099	Mounting - Flatwasher		
23	5037709	Foundation Mounting Bolt		
24	8503949	Mounting - Sleeve		

Q0270

Q270 - REFRIGERATION COMPARTMENT - COMMON COMPONENTS

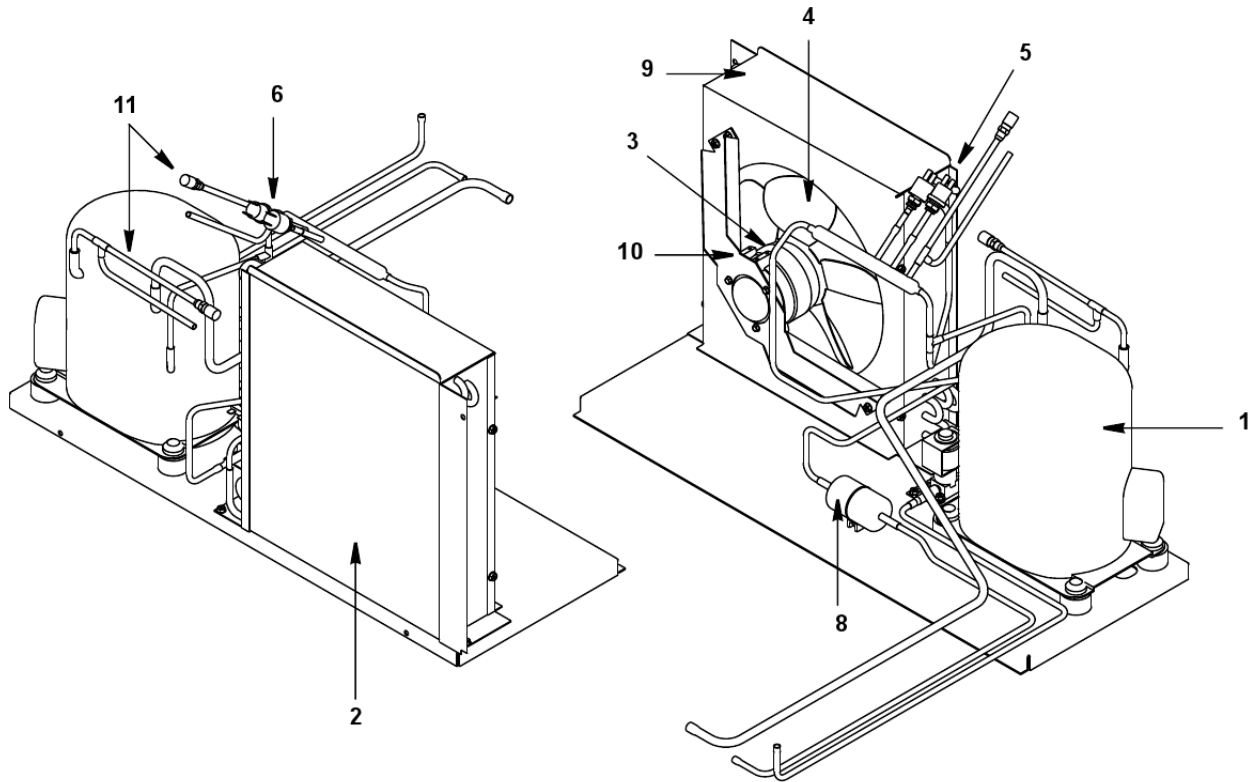
#	PART #	DESCRIPTION	QTY	Note
---	--------	-------------	-----	------

PART NOTES:

- [1] - Discontinued
- [2] - Danfoss
- [3] - \pages from 000005156_02.jpg" width=280 height=256>
- [4] - \pages from 000005156_02.jpg" width=266 height=183>
- [5] - \pages from 400720_08.jpg" width=923 height=583>
- [6] - Molded
- [7] - Not shown
- [8] - Electrical Cord

Q0270

Q270 - REFRIGERATION COMPARTMENT - AIR-COOLED COMPONENTS



Q0270

Q270 - REFRIGERATION COMPARTMENT - AIR-COOLED COMPONENTS

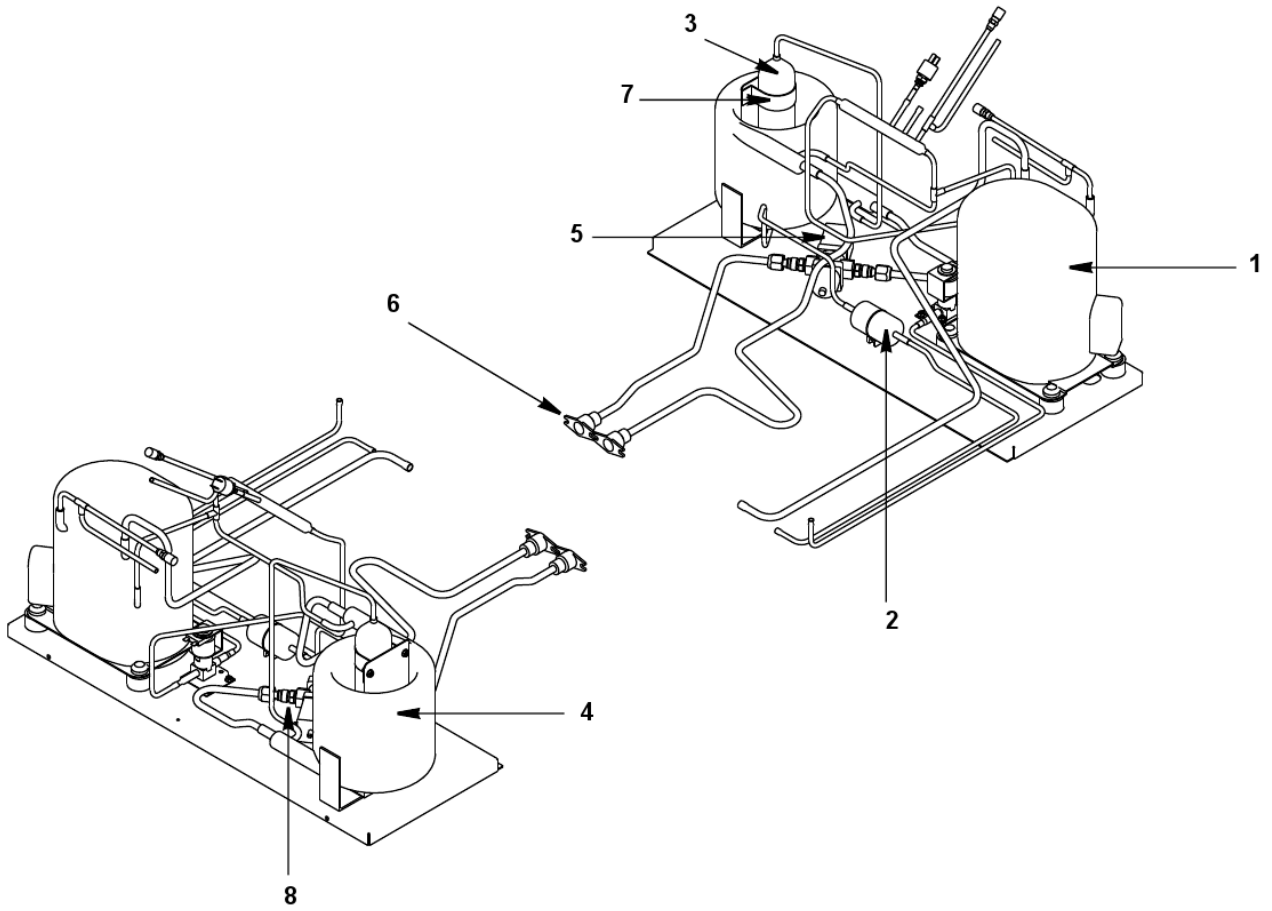
#	PART #	DESCRIPTION	QTY	Note
1		Compressor		[1]
2	8851383	Air Condenser		
2a	000008871	Air Condenser - R290 230V/50 Hz/1 Ph		
2b	000009060	Air Condenser Mounting Plates - R290 230V/50 Hz/1 Ph		
3		Fan Motor		
3a	040001540	Fan Motor - 115V/60 Hz		
3b	040001541	Fan Motor - 208-230V/50-60 Hz		
4	2416223	Fan Blade		
5	2001263	Fan Cycling Control - 200-250 psig		[2]
5a	000008877	Fan Cycling Control - R290 230V/50 Hz/1 Ph		
6		High Pressure Cut-out		
6a	2001243	High Pressure Cut-out Control		
6b	000008876	High Pressure Cut-out Control - R290 230V/50 Hz/1 Ph		
7	7629523	Air Filter		
7a	4040293	Air Filter - R290 230V/50 Hz/1ph		
8	8930259	Drier		
9	6034591	Fan Shroud		
9a	000009930	Fan Shroud - R290 230V/50 Hz/1 Ph		
10	6027431	Fan Motor Mounting Bracket		
11	8373253	Access Valve		

PART NOTES:

- [1] - Refer to COMMON PARTS Page
- [2] - \pages from 200126_09.jpg" width=150 height=306>

Q0270

Q270 - REFRIGERATION COMPARTMENT - WATER-COOLED COMPONENTS



Q0270

Q270 - REFRIGERATION COMPARTMENT - WATER-COOLED COMPONENTS

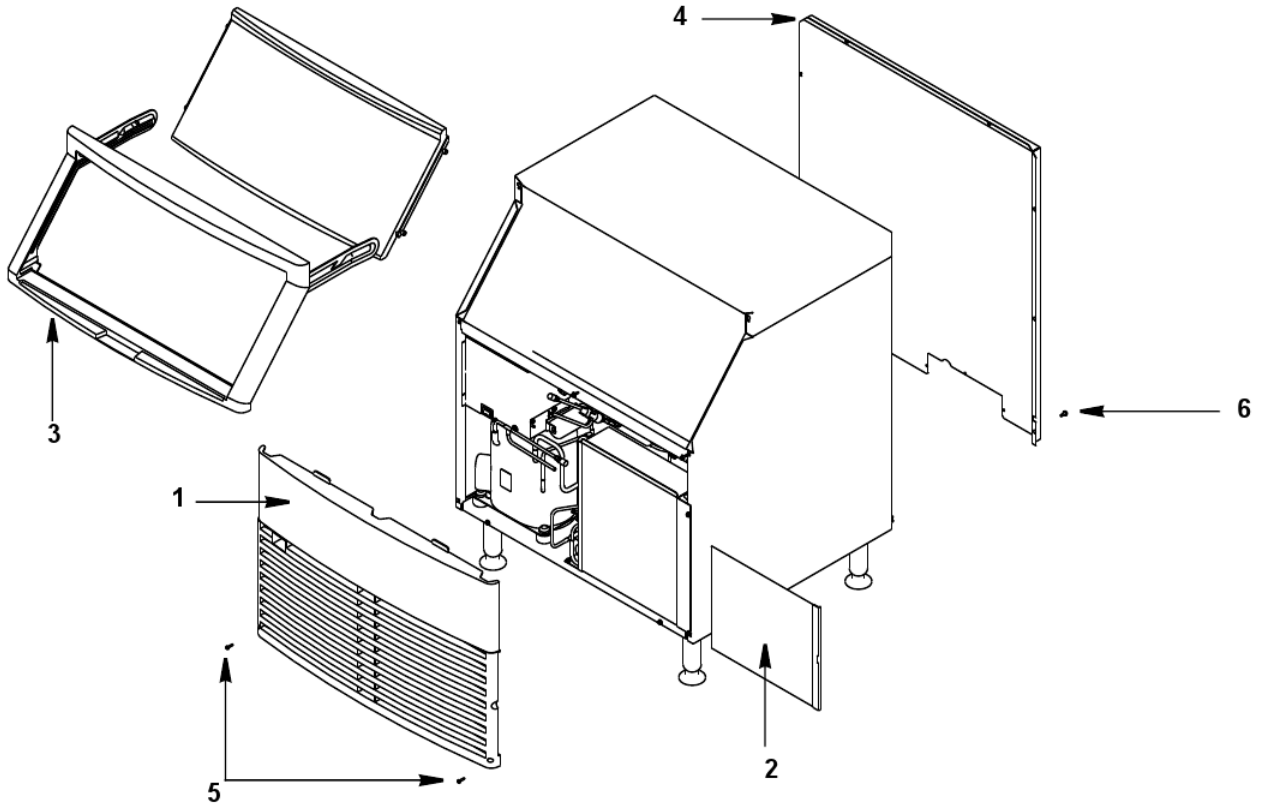
#	PART #	DESCRIPTION	QTY	Note
1		Compressor		[1]
2	8930259	Drier		
3	000008892	Receiver		
4	8865313	Water-cooled Condenser		
5	8372103	Water Regulating Valve		
6	8706103	Female Wing Adapter - 0.50"		
7	6001891	Receiver Strap		
8	8332023	Water Coupling Connection - 0.375" NPT		

PART NOTES:

[1] - Refer to COMMON PARTS Page

Q0270

Q0270 - PANELS



Q0270

Q270 - PANELS

#	PART #	DESCRIPTION	QTY	Note
1	7629513	Front Panel Assembly		
2	7629523	Air Filter		
2a	4040293	Air Filter - R290 230V/50 Hz/1ph		
3	040001717	Door Frame and Door Assembly		
3a	000006837	Door Pin Sleeve		
4	6034671	Back Panel, Upper		
5	5202239	Front Cover Screw		
6	5202069	Screw - #10-24 x 0.50" HEX		
7	3302603	Ice Scoop		