



Manitowoc
Foodservice
Parts Manual

For more Parts Information:

<https://manitowocfsg.sysonline.com/Default.aspx>

TABLE OF CONTENTS

Manitowoc Foodservice [Updated: Sep. 30, 2013]

Manitowoc - Ice & Related

Parts Catalog

Ice Machine

Q Series

Q Model - UnderCounter

Q0210

Q0210 - Control Box Components 1

Q0210 - Evaporator Compartment - Common Components 3

Q0210 - Refrigeration Compartment - Common Components 6

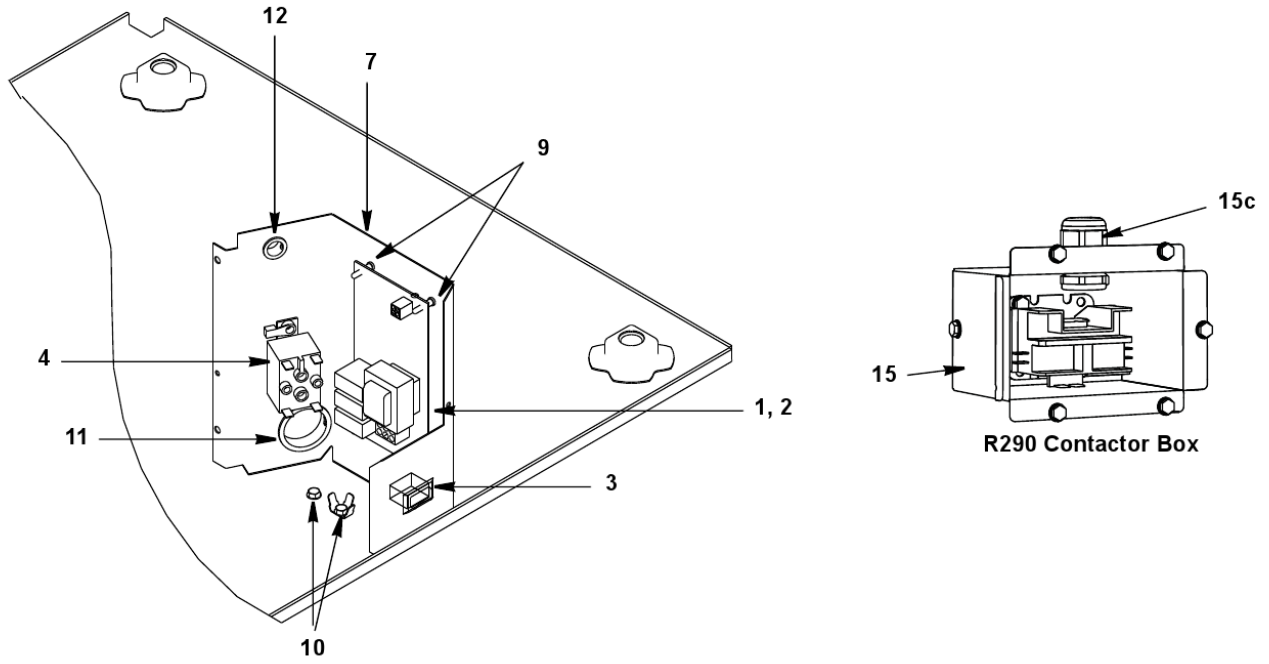
Q0210 - Refrigeration Compartment - Air-cooled Components 9

Q0210 - Refrigeration Compartment - Water-cooled Components 11

Q0210 - Panels 13

Q0210

Q0210 - CONTROL BOX COMPONENTS



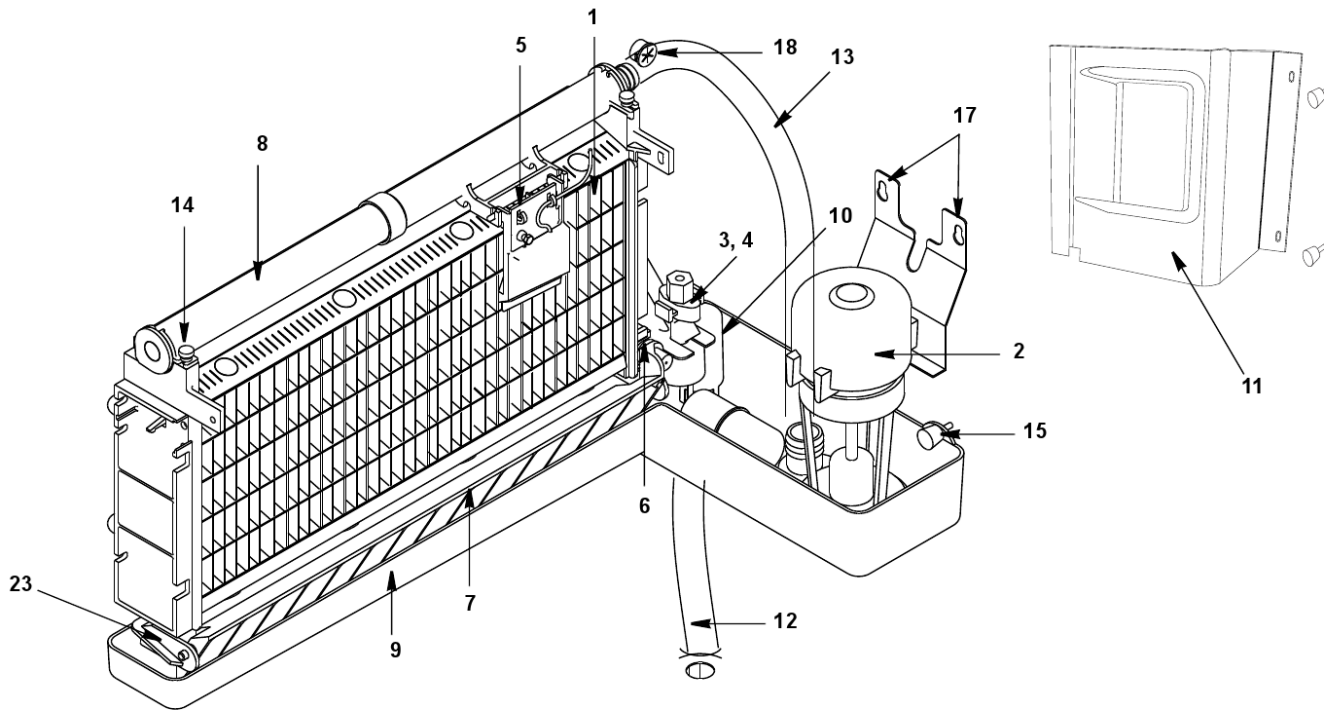
Q0210

Q0210 - CONTROL BOX COMPONENTS

#	PART #	DESCRIPTION	QTY	Note
1	7629073	Control Board		
2	2511493	10 Amp Fuse		
3	2301513	Toggle Switch		
3a	2032483	Wiring Harness - Toggle Switch		
4		Contactor		
4a	2006569	Contactor - 115V/60 Hz/1 Ph		
4b	2006579	Contactor - 230V/50-60 Hz/1 Ph		
5		Wiring Harness		
5a	2002183	Wiring Harness - Air-cooled		
5b	040002294	Wiring Harness - R290 Air-Cooled		
5c	2002193	Wiring Harness - Water-cooled		
5d	2007013	Ice Thickness Control Probe		
6		Power Cord		
6a	2006863	Power Cord - 115V/60 Hz		
6b	2006873	Power Cord - 230V/60 Hz		
6c	2033023	Power Cord - 230V/50-60 Hz		
7	6046931	Control Box		
7a	000009050	Control Box - R290 230V/50 Hz/1 Ph		
8	7629083	Control Box Cover		
8a	000009051	Control Box Cover - R290 230V/50 Hz/1 Ph		
9	4302253	Control Board Mounting Supports		
10	5202323	Screw, #10-24 x .50 Ground		
10a	5573203	Lockwasher, #10		
11	2500139	Bushing - 1.5"		
12	2502189	Bushing - 0.625"		
		R290 Components		
13	2502283	Strain Relief		
14	040002177	Access Valve		
14a	000009148	Access Valve Cap		
15	000009209	R290 Contactor Box		
15a	000009210	R290 Contactor Box Cover		
15b	040002143	Mounting Bracket		
15c	000009211	R290 Contactor Box False Bottom		
15d	000009229	Liquid Tight Cord Grip		
15e	000009262	R290 Contactor Wiring Harness - 230V/50 Hz/1 Ph		

Q0210

Q0210 - EVAPORATOR COMPARTMENT - COMMON COMPONENTS



Q0210

Q0210 - EVAPORATOR COMPARTMENT - COMMON COMPONENTS

#	PART #	DESCRIPTION	QTY	Note
1		Evaporator Assembly		
1a	7629549	Evaporator - Regular Cube		
1b	7629559	Evaporator - Dice Cube		
1c	7629569	Evaporator - Half Dice Cube		
2		Water Pump		
2a	7623063	Water Pump - 115V/60 Hz		
2b	7626013	Water Pump - 230V/50-60 Hz		[1]
2c	040000945	Water Pump - 230V/50-60 Hz		[2]
3	7602133	Float Valve Assembly		[3]
4	8369049	Float Valve Assembly		[4]
4a	8369069	Float Valve Screen		
4b	8369089	Float Valve Plunger		
4c	5650729	Compression Nut		
4d	7621403	Bracket		
5	7601603	Ice Thickness Control Probe		
6	000007337	Magnetic Bin Switch		
7	7600483	Ice Damper		
7a	7629093	Ice Damper Magnet and Cap		
8	040002531	Water Distribution Tube - Q170/Q210/Q270		
9	040001251	Water Trough		
10	4302223	Siphon Cap		
11	000006754	Water Pump Cover		
11a	040001217	Thumbscrew - #8-32 x 0.625"		
12	7600853	Drain Tube		
13	040001234	Water Pump Tubing		
14	5305113	Screw, #8-32 x 0.63 Nylon Water Distribution Tube Mounting		
15	040001217	Thumbscrew - #8-32 x 0.625"		
16	5202189	Screw - #10-24 x 0.75"		
17	5202069	Screw - #10-24 x 0.50" HEX		
18	2500169	Bushing - 0.91" OD x 0.44" ID		[5]
19	2078063	Water Pump Lead - 208-230V/50-60 Hz		
20	040001255	Tube White Vinyl Molded		
21	040001514	Water Pump Mounting Plate		
22	040001239	Siphon Drain Tube		
23	040001766	Evaporator Frame Assembly		
24	040001237	Probe Assembly		
24a	040001260	Sensor Probe Cover		
24b	040001250	Sensor Probe Board		
24c	3005723	Adjustment Screw		
24d	2006983	Wire Lead		

PART NOTES:

[1] - Up to Serial Number 310145261

Q0210

Q0210 - EVAPORATOR COMPARTMENT - COMMON COMPONENTS

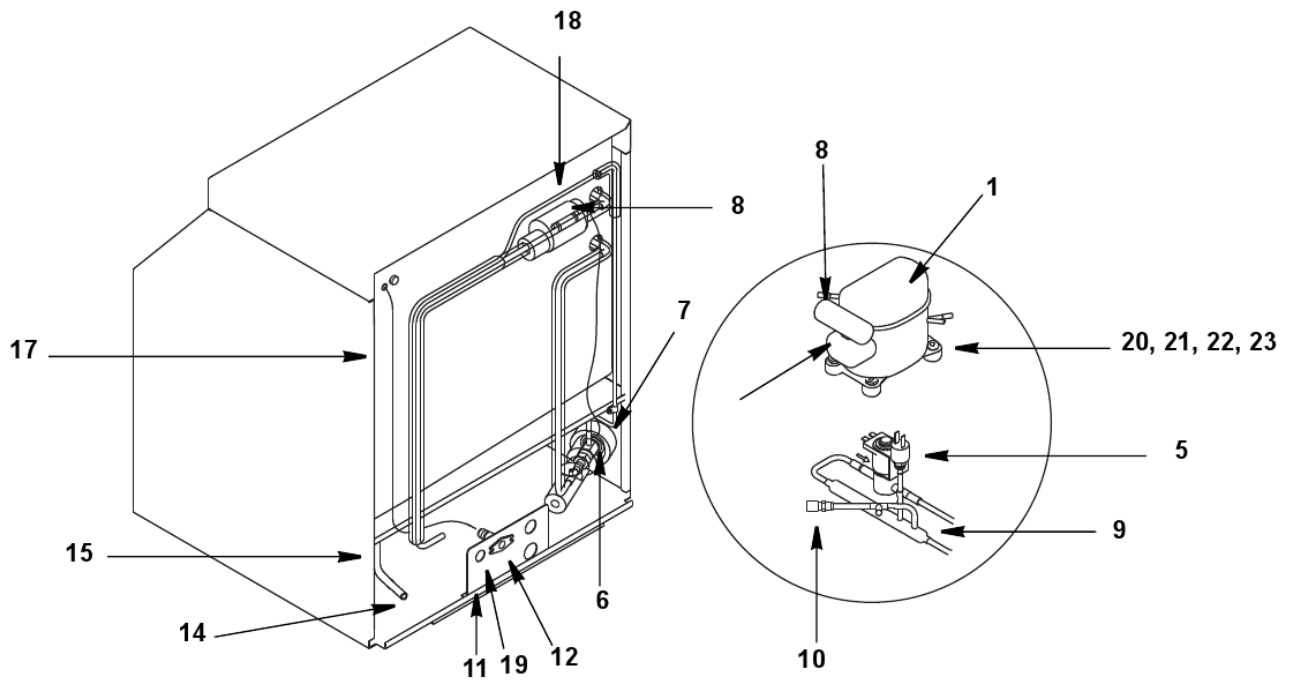
#	PART #	DESCRIPTION	QTY	Note
---	--------	-------------	-----	------

PART NOTES:

- [2] - After to Serial Number 310145261
- [3] - Up to Serial Number 031100000
- [4] - After Serial Number 031100000
- [5] - Ice Thickness Probe Wire

Q0210

Q0210 - REFRIGERATION COMPARTMENT - COMMON COMPONENTS



Q0210

Q0210 - REFRIGERATION COMPARTMENT - COMMON COMPONENTS

#	PART #	DESCRIPTION	QTY	Note
		NOTE: Replace a Tecumseh compressor/start components with a Tecumseh compressor/start components and a Danfoss compressor/start components with a Danfoss compressor/start components.		
		DO NOT INTERCHANGE COMPRESSORS OR START COMPONENTS.		
1		Tecumseh Compressor		
1a	7629103	Compressor 115V/60 Hz/1 Ph		
	8505623	Overload for Compressor		
	8505653	Starting Device		[1]
	8505803	Start Capacitor		[1]
1b	7629113	Compressor 208/230V 60 Hz/1 Ph		[1]
	8505763	Overload for Compressor		
	8505663	Starting Device		[1]
	8505803	Start Capacitor		[1]
1c	7629123	224/240V 50 Hz/1 Ph		[1]
	8505643	Overload for Compressor		
	8505663	Starting Device		[1]
	8505813	Start Capacitor		[1]
2		Danfoss Compressor		
2a	7601323	Compressor - Danfoss - 115V/60 Hz/1 Ph		[2]
	2002043	Current Relay with Overload - 115V/60 Hz/1 Ph		[2]
	2002033	Start Capacitor - 115V/60 Hz/1 Ph		[2]
2b	7601333	Compressor - Danfoss - 230V/50 Hz/1 Ph		[2]
	2004873	Current Relay with Overload - 230V/50 Hz/1 Ph		[2]
	2004863	Start Capacitor - 230V/50 Hz/1 Ph		[2]
2c	7601333	Compressor - Danfoss - 230V/50 Hz/1 Ph		[2]
	2004873	Current Relay with Overload - 230V/50 Hz/1 Ph		[2]
	2004863	Start Capacitor - 230V/50 Hz/1 Ph		[2]
2d	040002181	R290 230V 50 Hz/1 Ph		[2]
	000009198	Start Relay with Overload		[2]
	040000674	Start Capacitor - 230V/50-60 Hz/1 Ph		[2]
	000009064	Compressor Plug		
	000009259	Compressor Terminal Cover - R290 - 230V/50 Hz/1 Ph		
3		Hot Gas Valve - Up to SN310061221 - except 310047701, 310047696, 310047699, 310047698		
3a	7630001	Solenoid Valve with Electrical Coil - 115V/60 Hz		[2]
3b	000005156	Danfoss Solenoid Valve Coil Only - 115V/60 Hz		[3]
3c	2404363	Alco Solenoid Valve Coil Only - 115V/60 Hz		
3d	7630061	Solenoid Valve with Coil - 208-230V/50-60 Hz		[2]
3e	000005157	Danfoss Solenoid Valve Coil Only - 230V/50-60 Hz		[4]
3f	2404483	Alco Solenoid Valve Coil Only - 230V/50 Hz		
4		Harvest Valve - After to SN310061221 - including 310047701, 310047696, 310047699, 310047698		
4a	040000689	Solenoid Valve Including Coil - 115V/60 Hz		
4b	040000101	Coil - Solenoid Valve - 115V		
4c	040000690	Solenoid Valve Including Coil - 208-230/50-60 Hz		
4d	040000103	Coil - Solenoid Valve - 208-230V/50-60 Hz		

Q0210

Q0210 - REFRIGERATION COMPARTMENT - COMMON COMPONENTS

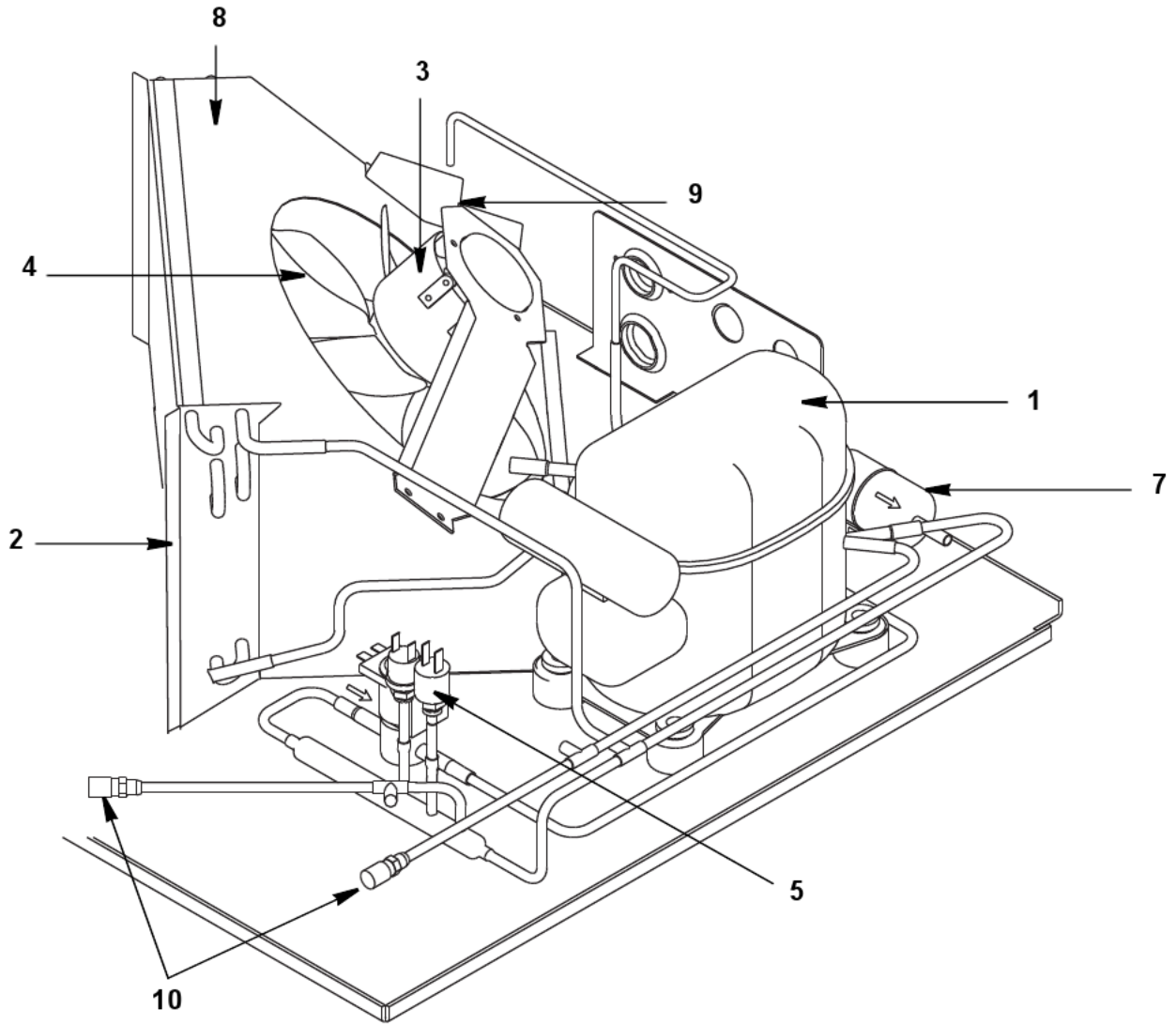
#	PART #	DESCRIPTION	QTY	Note
4e	040000104	Bracket Hot Gas Valve		
5	2001243	High Pressure Cut-out Control		
5a	000008876	High Pressure Cut-out Control - R290 230V/50 Hz/1 Ph		
6	7600173	Expansion Valve		
6a	000009301	Expansion Valve - R290 230V/50 Hz/1 Ph		
7		Expansion Valve Body Insulation Boot		
7a	4007213	Valve Insulation Boot - Body		
7b	4000363	Valve Insulation Boot - Body		
8	4007203	Valve Insulation Boot - Bulb		[5]
9	8251063	Manifold Strainer		
9a	040002227	Manifold Strainer - R290 230V/50 Hz/1 Ph		
10	8373253	Access Valve		
11	6026821	Coupling Panel		
12	8706093	Female Wing Adapter - 0.375"		
13	1360961	Male Connector		
14	8706133	Female Wing Adapter - 0.50"		
15		Bin Drain Tubing		
15a	4420853	Tubing Vinyl White .625 ID		
15b	4420983	Bin Drain Tubing		
16	5650649	Hose Clamp - 0.759"/0.848" ID		
17	4420291	Vinyl Tube - 0.25" OD		
18	5650529	Clamp - Expansion Valve Bulb		
19	5202069	Screw - #10-24 x 0.50" HEX		
20	8503069	Mounting - Rubber Grommet		
21	5573099	Mounting - Flatwasher		
22	5037709	Foundation Mounting Bolt		
23	8503949	Mounting - Sleeve		

PART NOTES:

- [1] - Tecumseh
- [2] - Danfoss
- [3] - \pages from 000005156_02.jpg" width=280 height=256>
- [4] - \pages from 000005156_02.jpg" width=266 height=183>
- [5] - \pages from 400720_08.jpg" width=923 height=583>

Q0210

Q0210 - REFRIGERATION COMPARTMENT - AIR-COOLED COMPONENTS



Q0210

Q0210 - REFRIGERATION COMPARTMENT - AIR-COOLED COMPONENTS

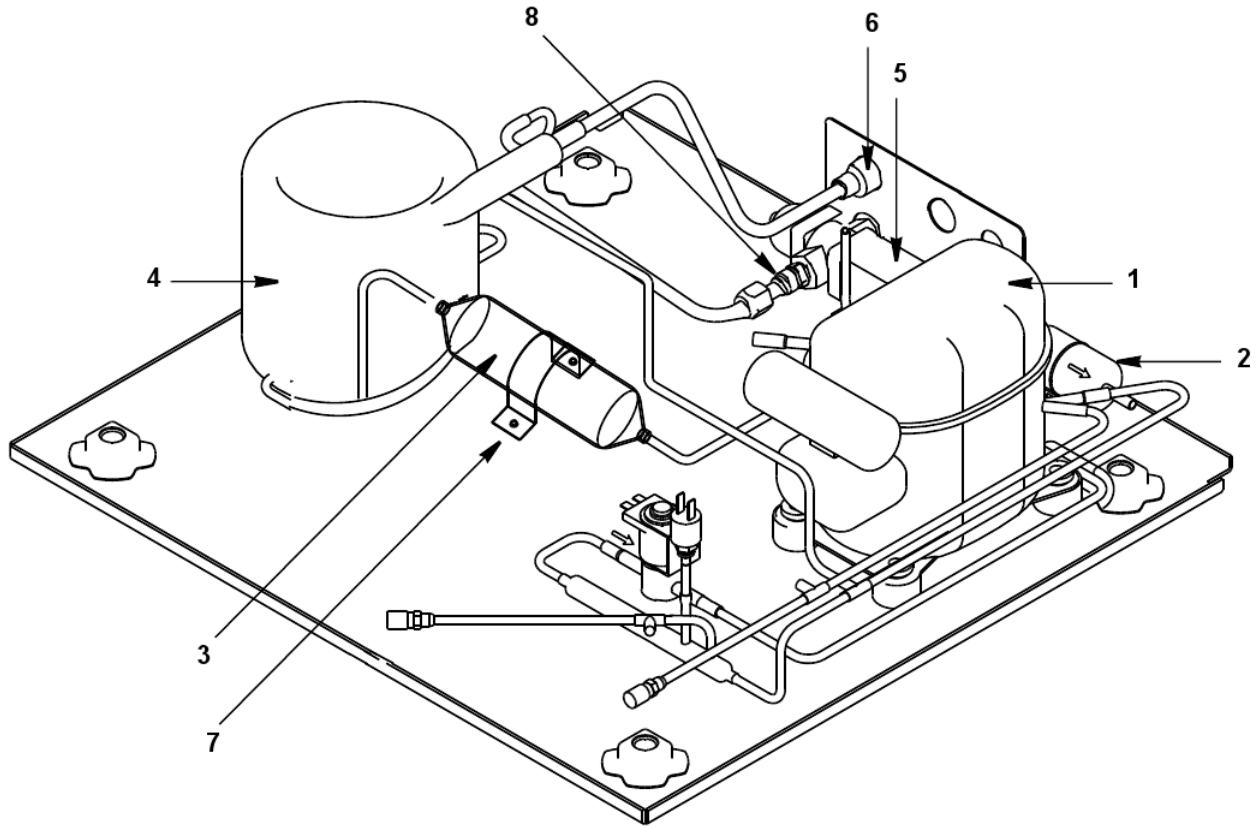
#	PART #	DESCRIPTION	QTY	Note
1		Compressor - See Common Components		
2	8851323	Air Condenser		
2a	000008848	Air Condenser - R290 230V/50 Hz/1 Ph		
2b	000009056	Air Condenser Mounting Plates - R290 230V/50 Hz/1 Ph		
2c	000009057	Air Condenser Mounting Plates - R290 230V/50 Hz/1 Ph		
3a	2000223	Fan Motor - 115V/60 Hz/1 Ph		
3b	2000219	Fan Motor - 208-230V/50-60 Hz		
4	3005653	Fan Blade		
5	2001273	Fan Cycling Control - 225-275 psig		[1]
5a	000008877	Fan Cycling Control - R290 230V/50 Hz/1 Ph		
6	7629143	Air Filter		
6a	4040273	Air Filter - R290 230V/50 Hz/1 Ph		
7	8930259	Drier		
8	6026851	Fan Shroud		
8a	000009048	Fan Shroud - R290 230V/50 Hz/1 Ph		
9	6027431	Fan Motor Mounting Bracket		
10	8373253	Access Valve		

PART NOTES:

[1] - \pages from 200126_09.jpg" width=170 height=228>

Q0210

Q0210 - REFRIGERATION COMPARTMENT - WATER-COOLED COMPONENTS



Q0210

Q0210 - REFRIGERATION COMPARTMENT - WATER-COOLED COMPONENTS

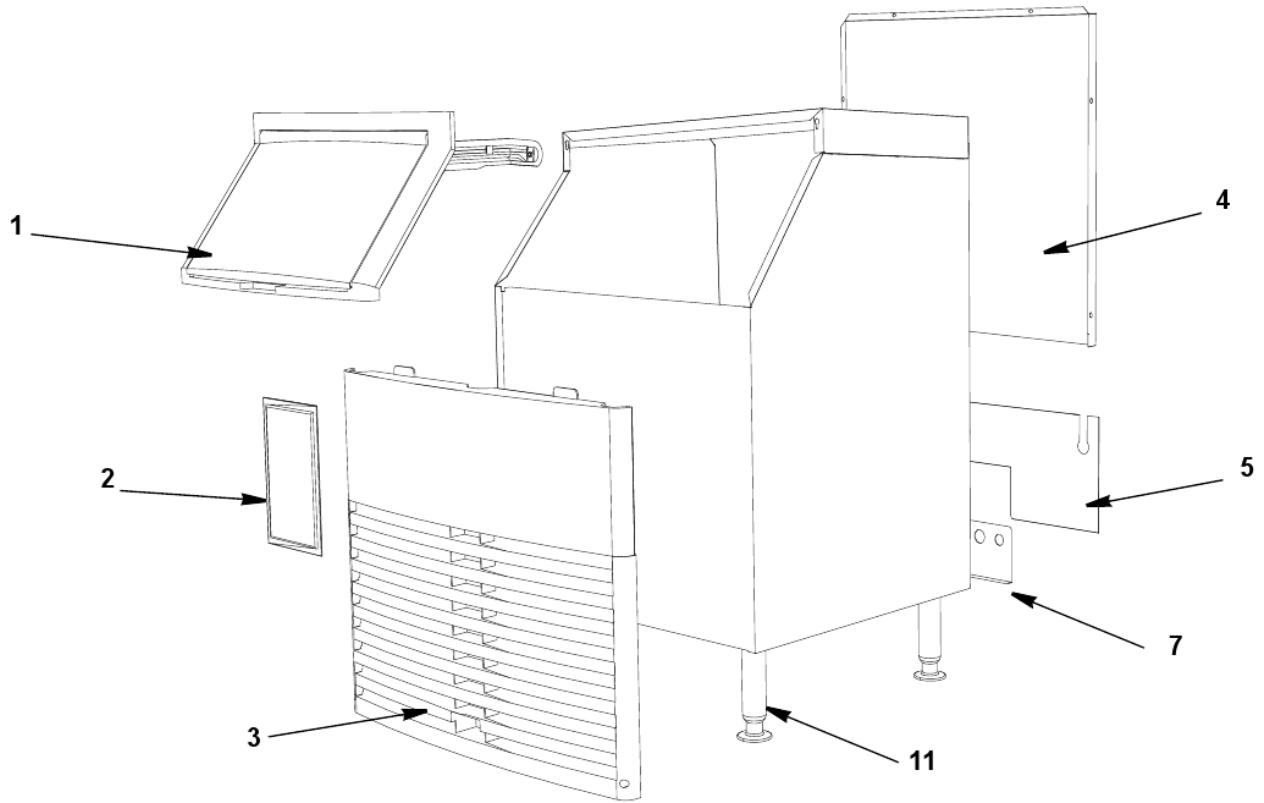
#	PART #	DESCRIPTION	QTY	Note
1		Compressor - See Common Components		
2	8930259	Drier		
3	000008892	Receiver		
4		Water-cooled Condenser - See Note for Usage		
4a	8865323	Water-Cooled Condenser		[1]
4b	8865313	Water-cooled Condenser		[2]
5	8372103	Water Regulating Valve		
6	8706103	Female Wing Adapter - 0.50"		
7	6001891	Receiver Strap		
8	8332023	Water Coupling Connection - 0.375" NPT		

PART NOTES:

- [1] - use with Danfoss Compressor
- [2] - use with Tecumseh Compressor

Q0210

Q0210 - PANELS



Q0210

Q0210 - PANELS

#	PART #	DESCRIPTION	QTY	Note
1	040001716	Bin Door & Door Frame Assembly		
1a	000006837	Door Pin Sleeve		
2	7629143	Air Filter		
2a	4040273	Air Filter - R290 230V/50 Hz/1 Ph		
3	7629153	Front Panel Assembly		
4	6026801	Back Panel, Upper		
5		Back Panel, Lower - See Note for Serial Break		
5a	6027171	Back Panel, Lower		[1]
5b	6033501	Back Panel, Lower		[2]
5c	000009131	Back Panel, Lower - R290 230V/50 Hz/1 Ph		
6	3302603	Ice Scoop		
7	6026821	Coupling Panel		
8	5202239	Front Cover Screw		
9	5202069	Screw - #10-24 x 0.50" HEX		
11		Legs - Refer to Sales Price List		

PART NOTES:

- [1] - Up to Serial Number 980860665
- [2] - After to Serial Number 980860665