



***Manitowoc***  
**Foodservice**  
**Parts Manual**

For more Parts Information:

<https://manitowocfsg.sysonline.com/Default.aspx>

# TABLE OF CONTENTS

Manitowoc Foodservice [Updated: Sep. 30, 2013]

Manitowoc - Ice & Related

Parts Catalog

Ice Machine

Q Series

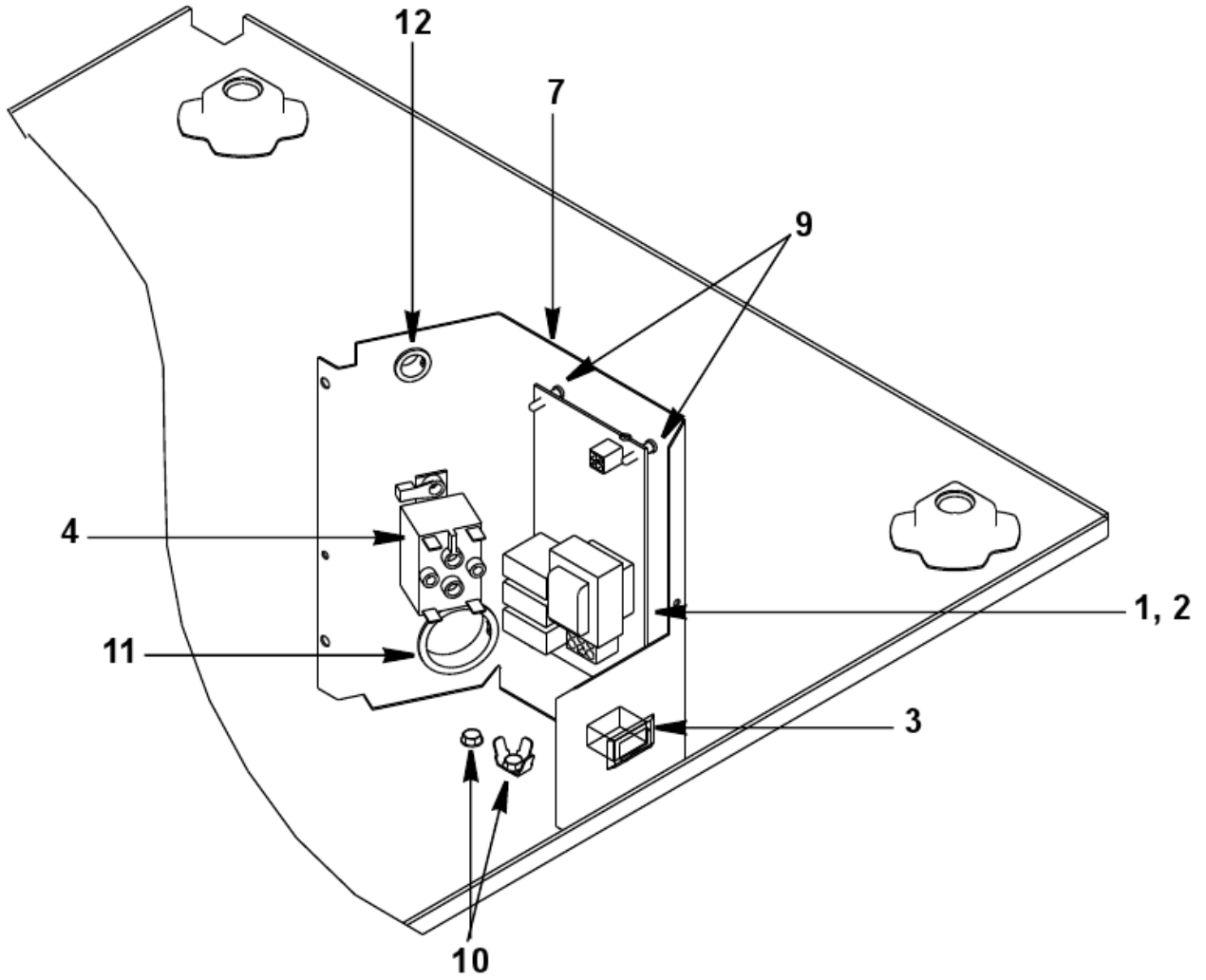
Q Model - UnderCounter

Q0130

Q130 - Control Box Components .....	1
Q130 - Evaporator Compartment - Common Components .....	3
Q130 - Refrigeration Compartment - Common Components .....	5
Q130 - Refrigeration Compartment - Air-cooled Components .....	8
Q130 - Refrigeration Compartment - Water-cooled Components .....	10
Q130 - Panels .....	12

# Q0130

## Q130 - CONTROL BOX COMPONENTS



# Q0130

## Q130 - CONTROL BOX COMPONENTS

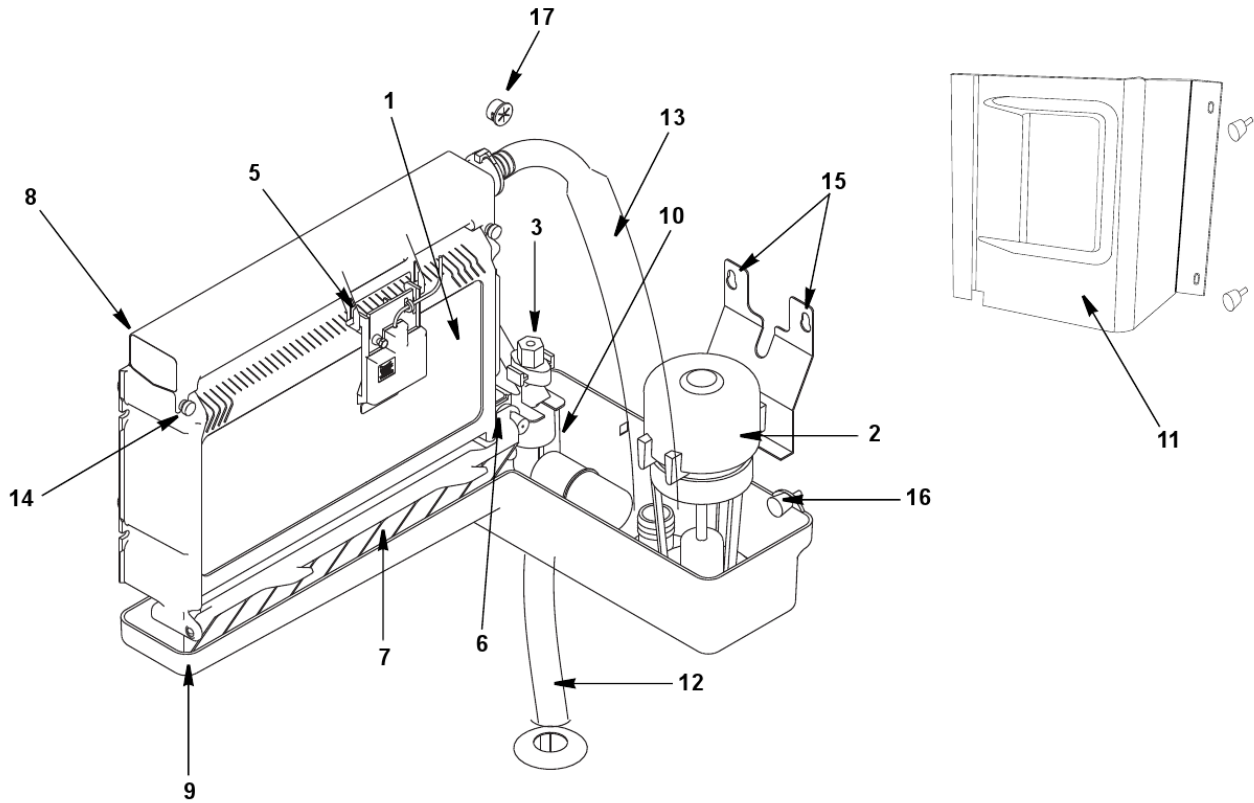
#	PART #	DESCRIPTION	QTY	Note
1	7629073	Control Board		
2	2511493	10 Amp Fuse		
3	2301513	Toggle Switch		
3a	2032483	Wiring Harness - Toggle Switch		
4		Contactor		
4a	2006569	Contactor - 115V/60 Hz/1 Ph		
4b	2006579	Contactor - 230V/50-60 Hz/1 Ph		
5		Wiring Harness		
5a	2002183	Wiring Harness - Air-cooled		
5b	2002193	Wiring Harness - Water-cooled		
5c	2007013	Ice Thickness Control Probe		[1]
6		Power Cord		
6a	2006863	Power Cord - 115V/60 Hz		
6b	2006873	Power Cord - 230V/60 Hz		
6c	2033023	Power Cord - 230V/50-60 Hz		
7	6046931	Control Box		
8	7629083	Control Box Cover		
9	4302253	Control Board Mounting Supports		
10	5202323	Screw, #10-24 x .50 Ground		
10a	5573203	Lockwasher, #10		
11	2500139	Bushing - 1.5"		
12	2502189	Bushing - 0.625"		

### PART NOTES:

[1] - Wire Lead and Connectors Only

# Q0130

## Q130 - EVAPORATOR COMPARTMENT - COMMON COMPONENTS



# Q0130

## Q130 - EVAPORATOR COMPARTMENT - COMMON COMPONENTS

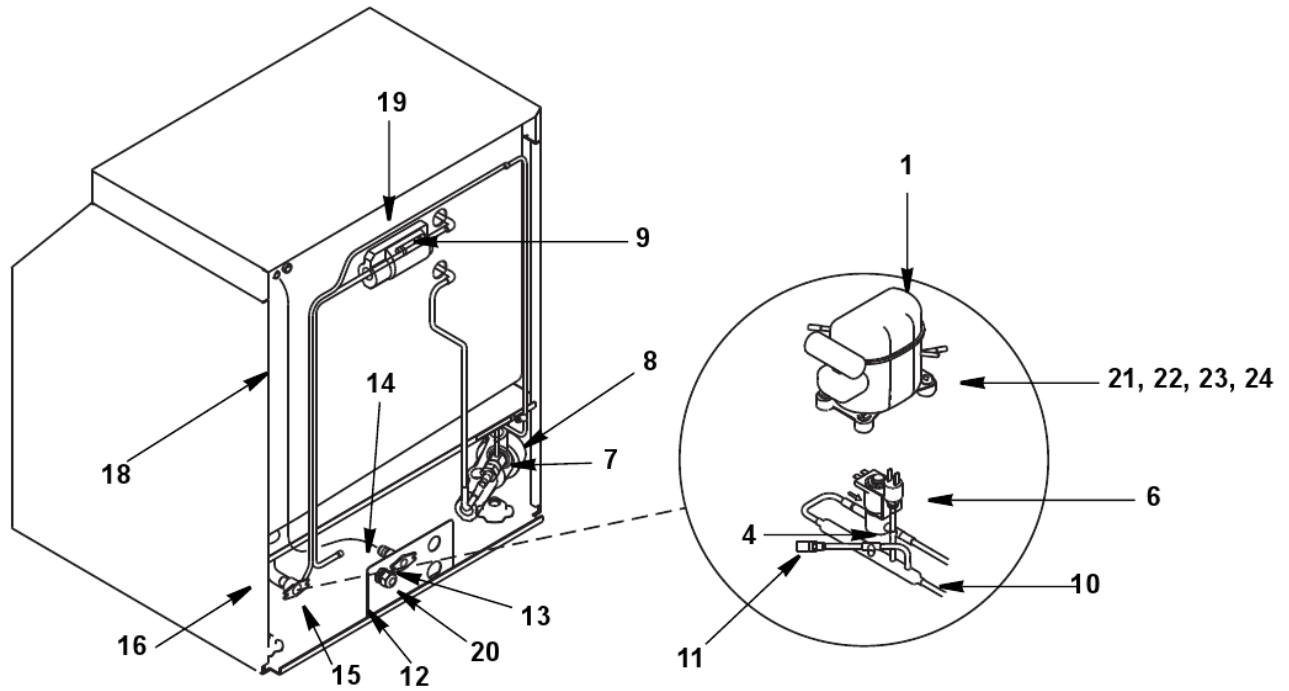
#	PART #	DESCRIPTION	QTY	Note
1		Evaporator Assembly		
1a	7629453	Evaporator - Regular Cube		
1b	7629463	Evaporator - Dice Cube		
1c	7629473	Evaporator - Half Dice Cube		
2		Water Pump - See Note for Serial Break		
2a	7623063	Water Pump - 115V/60 Hz		
2b	7626013	Water Pump - 230V/50-60 Hz		[1]
2c	040000946	Water Pump - 230V/50-60 Hz		[2]
		Float Valve Assembly - See Note for Serial Break		
3	7602133	Float Valve Assembly		[3]
4	8369049	Float Valve Assembly		[4]
4a	8369069	Float Valve Screen		
4b	8369089	Float Valve Plunger		
4c	5650729	Compression Nut		
4d	7621403	Bracket		
5	7601603	Ice Thickness Control Probe		
6	000007337	Magnetic Bin Switch		
7	7600493	Ice Damper		
7a	7629093	Ice Damper Magnet and Cap		
8	000007163	Water Distribution Tube - QM30/QM45		
9	040001233	Water Trough		
10	4302223	Siphon Cap		
11	000006754	Water Pump Cover		
11a	040001217	Thumbscrew - #8-32 x 0.625"		
12	7600853	Drain Tube		
13	040001234	Tubing		
14	040001217	Thumbscrew - #8-32 x 0.625"		
15	5202069	Screw - #10-24 x 0.50" HEX		
16	040001217	Thumbscrew - #8-32 x 0.625"		
17	2500169	Bushing - 0.91" OD x 0.44" ID		
18	2078063	Water Pump Lead - 208-230V/50-60 Hz		

### PART NOTES:

- [1] - Up to Serial Number 310145261
- [2] - After to Serial Number 310145261
- [3] - Up to Serial Number 031100000 Complete Assembly
- [4] - After Serial Number 031100000 Complete Assembly

# Q0130

## Q130 - REFRIGERATION COMPARTMENT - COMMON COMPONENTS



# Q0130

## Q130 - REFRIGERATION COMPARTMENT - COMMON COMPONENTS

#	PART #	DESCRIPTION	QTY	Note
1		Tecumseh Compressor - Before Serial Number 021100000		
1a	7629103	Compressor 115V/60 Hz/1 Ph		
	8505623	Overload for Compressor		
	8505653	Starting Device		[1]
	8505803	Start Capacitor		[1]
1b	7629113	Compressor 208/230V 60 Hz/1 Ph		[1]
	8505633	Overload for Compressor		
	8505663	Starting Device		[1]
	8505763	Overload for Compressor		[1]
1c	7629123	224/240V 50 Hz/1 Ph		[1]
	8505643	Overload for Compressor		
	8505673	Tecumseh AE4430Y B/M AE540ET-964-A4D		[1]
	8505813	Start Capacitor		[1]
2		Danfoss Compressor - Between Serial Number 021100000 and Serial Number 310047287		
2a	7601323	Compressor - Danfoss - 115V/60 Hz/1 Ph		
	2002043	Current Relay with Overload - 115V/60 Hz/1 Ph		[2]
	2002033	Start Capacitor - 115V/60 Hz/1 Ph		[2]
2b	7601333	Compressor - Danfoss - 230V/50 Hz/1 Ph		[2]
	2004873	Current Relay with Overload - 230V/50 Hz/1 Ph		[2]
	2004863	Start Capacitor - 230V/50 Hz/1 Ph		[2]
2c	7601333	Compressor - Danfoss - 230V/50 Hz/1 Ph		[2]
	2004873	Current Relay with Overload - 230V/50 Hz/1 Ph		[2]
	2004863	Start Capacitor - 230V/50 Hz/1 Ph		[2]
3		Compressor - After Serial Number 310047287		
3a	040000435	Compressor - 115V/60 Hz/1 Ph		
	000002899	Current Relay with Overload - 115V/60 Hz/1 Ph		
	000002901	Start Capacitor - 115V/60 Hz/1 Ph		
3b	040000434	Compressor - Danfoss - 230V/50-60 Hz/1 Ph		
	000002900	Current Relay with Overload - 230V/50-60 Hz/1 Ph		
	040000674	Start Capacitor - 230V/50-60 Hz/1 Ph		
4		Harvest Valve - Up to SN310061221		[3]
4a	7630001	Danfoss Solenoid Valve with Electrical Coil - 115V/60 Hz		[2]
4b	000005156	Danfoss Solenoid Valve Coil Only - 115V/60 Hz		[4]
4c	2404363	Alco Solenoid Valve Coil Only - 115V/60 Hz		
4d	7630061	Danfoss Solenoid Valve with Coil - 208-230V/50-60 Hz		[2]
4e	000005157	Danfoss Solenoid Valve Coil Only - 230V/50-60 Hz		[5]
4f	2404483	Alco Solenoid Valve Coil Only - 230V/50 Hz		
5		Harvest Valve - After to SN310061221		[6]
5a	040000689	Solenoid Valve Including Coil - 115V/60 Hz		
5b	040000101	Coil - Solenoid Valve - 115V		
5c	040000690	Solenoid Valve Including Coil - 208-230/50-60 Hz		
5d	040000103	Coil - Solenoid Valve - 208-230V/50-60 Hz		



# Q0130

## Q130 - REFRIGERATION COMPARTMENT - COMMON COMPONENTS

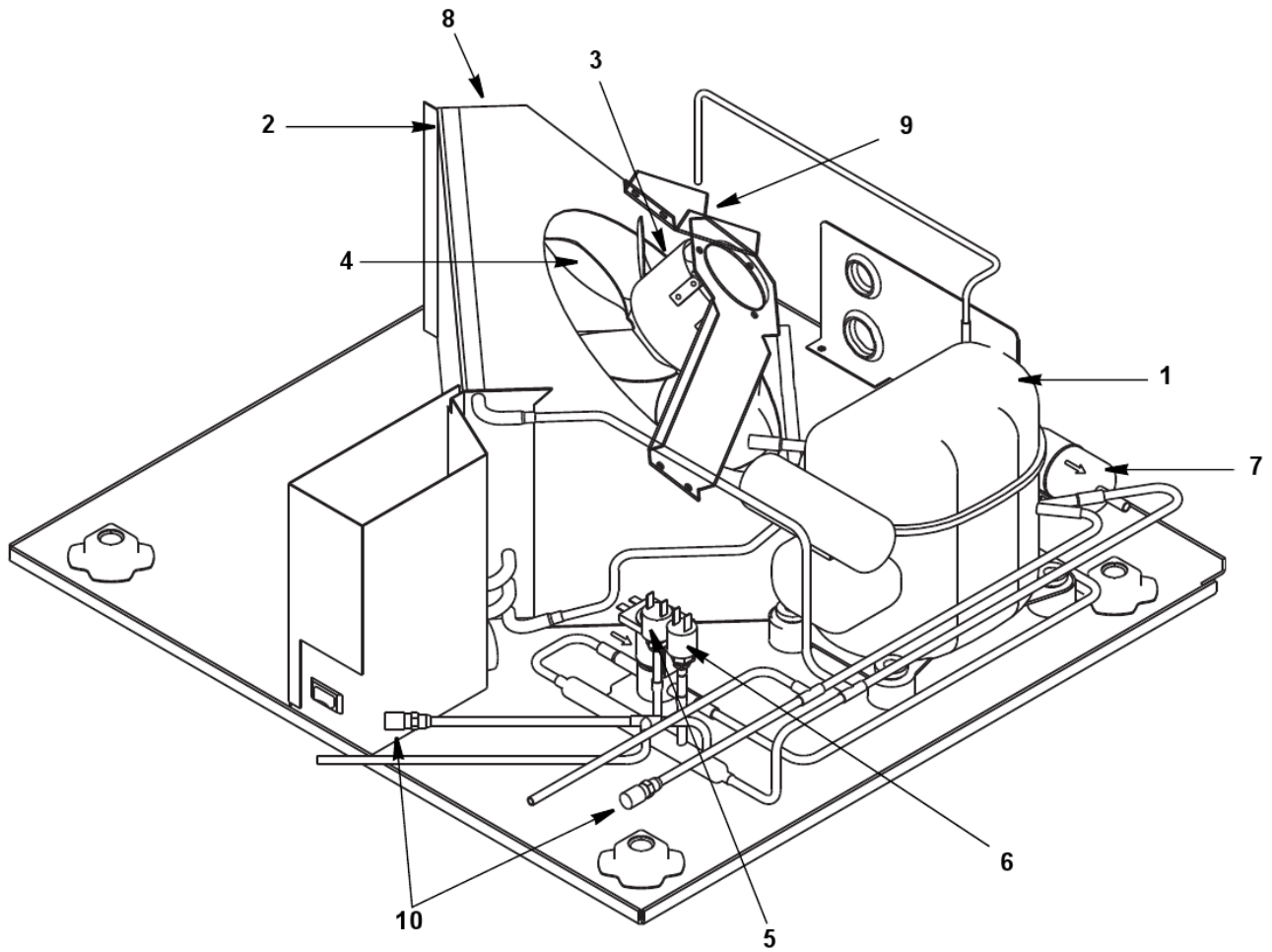
#	PART #	DESCRIPTION	QTY	Note
5e	040000104	Bracket Hot Gas Valve		
6	2001243	High Pressure Cut-out Control		
7		Expansion Valve - See Note for Serial Break		
7a	040000594	Expansion Valve		[7]
7b	7600503	Expansion Valve		[8]
8		Expansion Valve Body Insulation Boot		
8a	4007213	Valve Insulation Boot - Body		
8b	4000363	Valve Insulation Boot - Body		
9	4007203	Valve Insulation Boot - Bulb		[9]
10	8251063	Manifold Strainer		
11	8373253	Access Valve		
12	6026821	Coupling Panel		
13	8706093	Female Wing Adapter - 0.375"		
14	1360961	Male Connector		
15	8706133	Female Wing Adapter - 0.50"		
16	4420983	Bin Drain Tubing		
17	5650649	Hose Clamp - 0.759"/0.848" ID		
18	4420291	Vinyl Tube - 0.25" OD		
19	5650529	Clamp - Expansion Valve Bulb		
20	5202069	Screw - #10-24 x 0.50" HEX		
21	8503069	Mounting - Rubber Grommet		
22	5573099	Mounting - Flatwasher		
23	5037709	Foundation Mounting Bolt		
24	8503949	Mounting - Sleeve		

### PART NOTES:

- [1] - Tecumseh
- [2] - Danfoss
- [3] - except 310047701, 310047696, 310047699, 310047698
- [4] - \pages from 000005156\_02.jpg" width=280 height=256>
- [5] - \pages from 000005156\_02.jpg" width=266 height=183>
- [6] - including 310047701, 310047696, 310047699, 310047698
- [7] - After Serial Number 310047287
- [8] - Before Serial Number 310047287
- [9] - \pages from 400720\_08.jpg" width=923 height=583>

# Q0130

## Q130 - REFRIGERATION COMPARTMENT - AIR-COOLED COMPONENTS



# Q0130

## Q130 - REFRIGERATION COMPARTMENT - AIR-COOLED COMPONENTS

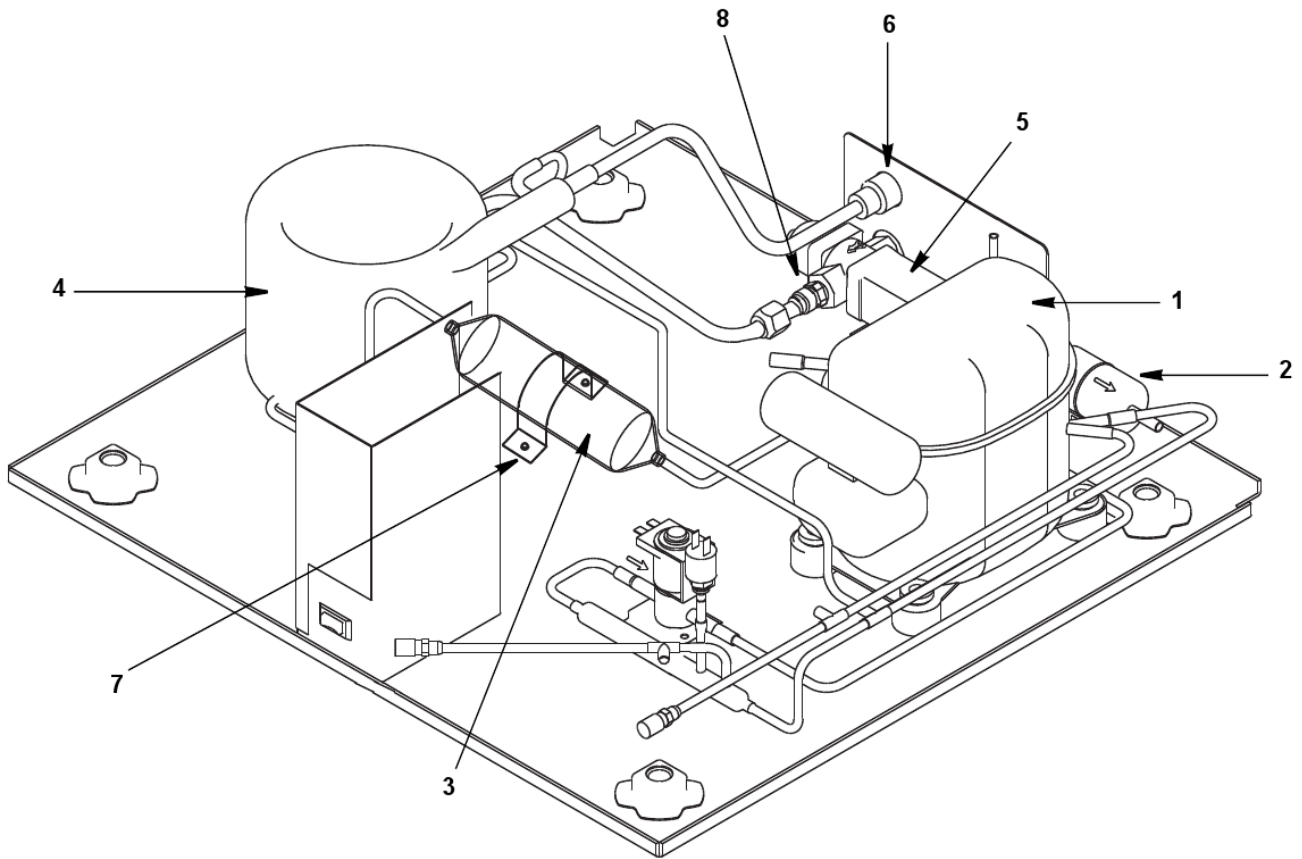
#	PART #	DESCRIPTION	QTY	Note
1		Compressor - See Common Components		
2	8851373	Air Condenser		
3		Fan Motor		
3a	2000223	Fan Motor - 115V/60 Hz/1 Ph		
3b	2000219	Fan Motor - 208-230V/50-60 Hz		
4	3005653	Fan Blade		
5	2001263	Fan Cycling Control - 200-250 psig		[1]
6	2001243	High Pressure Cut-out Control		
7	8930259	Drier		
8	6026851	Fan Shroud		
9	6027431	Fan Motor Mounting Bracket		
10	8373253	Access Valve		

### PART NOTES:

[1] - \pages from 200126\_09.jpg" width=150 height=306>

# Q0130

## Q130 - REFRIGERATION COMPARTMENT - WATER-COOLED COMPONENTS



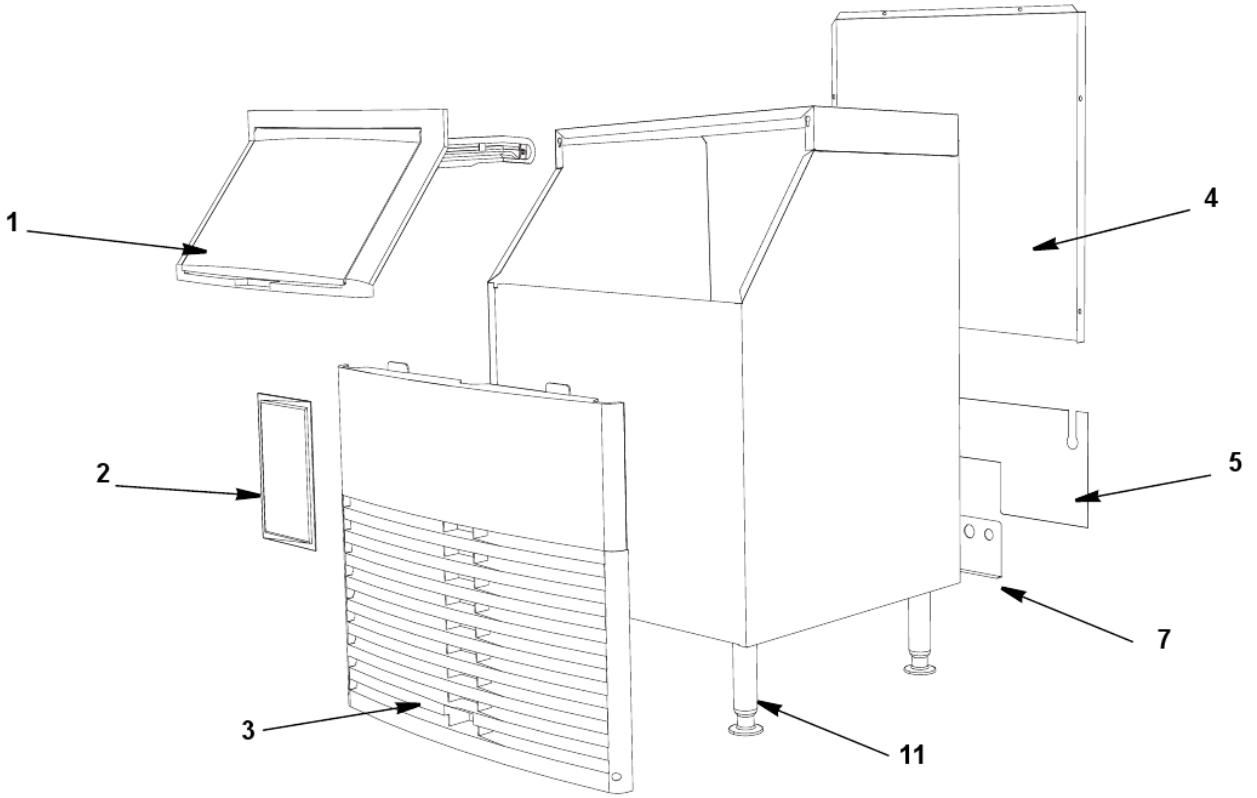
# Q0130

## Q130 - REFRIGERATION COMPARTMENT - WATER-COOLED COMPONENTS

#	PART #	DESCRIPTION	QTY	Note
1		Compressor - See Common Components		
2	8930259	Drier		
3	000008892	Receiver		
4	8865383	Water-cooled Condenser		
5	8372103	Water Regulating Valve		
6	8706103	Female Wing Adapter - 0.50"		
7	6001891	Receiver Strap		
8	8332023	Water Coupling Connection - 0.375" NPT		

# Q0130

## Q130 - PANELS



# Q0130

## Q130 - PANELS

#	PART #	DESCRIPTION	QTY	Note
1	040001716	Bin Door & Door Frame Assembly		
1a	000006837	Door Pin Sleeve		
2	7629143	Air Filter		
3	7629153	Front Panel Assembly		
4	6026801	Back Panel, Upper		
5	6033501	Back Panel, Lower		
6	3302603	Ice Scoop		
7	6026821	Coupling Panel		
8	5202239	Front Cover Screw		
9	5202069	Screw - #10-24 x 0.50" HEX		
11		Legs - Refer to Sales Price List		