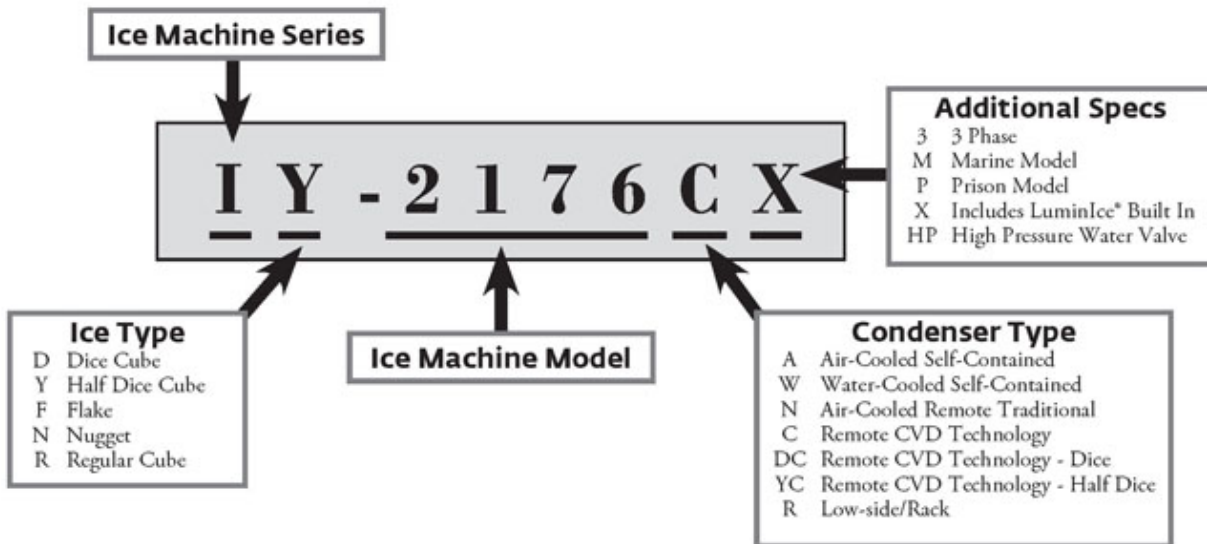




# Manitowoc

## Foodservice

### HOW TO READ A MODEL NUMBER



# TABLE OF CONTENTS

Manitowoc Foodservice [Updated: Apr. 23, 2015]

Manitowoc - Ice & Related

Parts Catalog

Ice Machine

Indigo Series

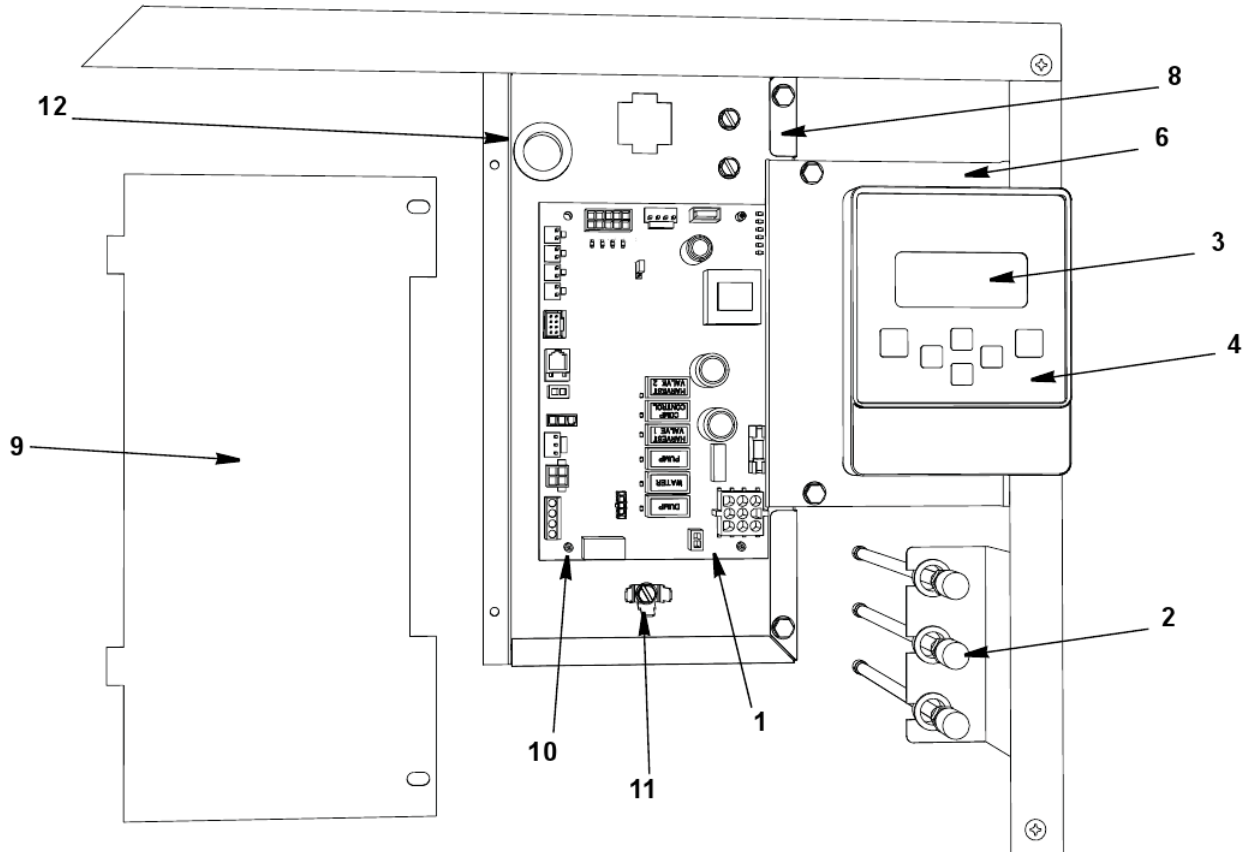
Indigo Model - QuietQube

i2176C, iCVD2096 Indigo

i2176C Head Section - Control Box Components .....	1
i2176C Evaporator Compartment - Common Components .....	3
i2176C Refrigeration Compartment - Common Components .....	6
i2176C Head Section - Panels .....	9
iCVD2096 Condensing Unit .....	11
iCVD2096 Condensing Unit - Control Box .....	13
iCVD2096 Condensing Unit Panels .....	15

# i2176C, iCVD2096 Indigo

## I2176C HEAD SECTION - CONTROL BOX COMPONENTS



# i2176C, iCVD2096 Indigo

## I2176C HEAD SECTION - CONTROL BOX COMPONENTS

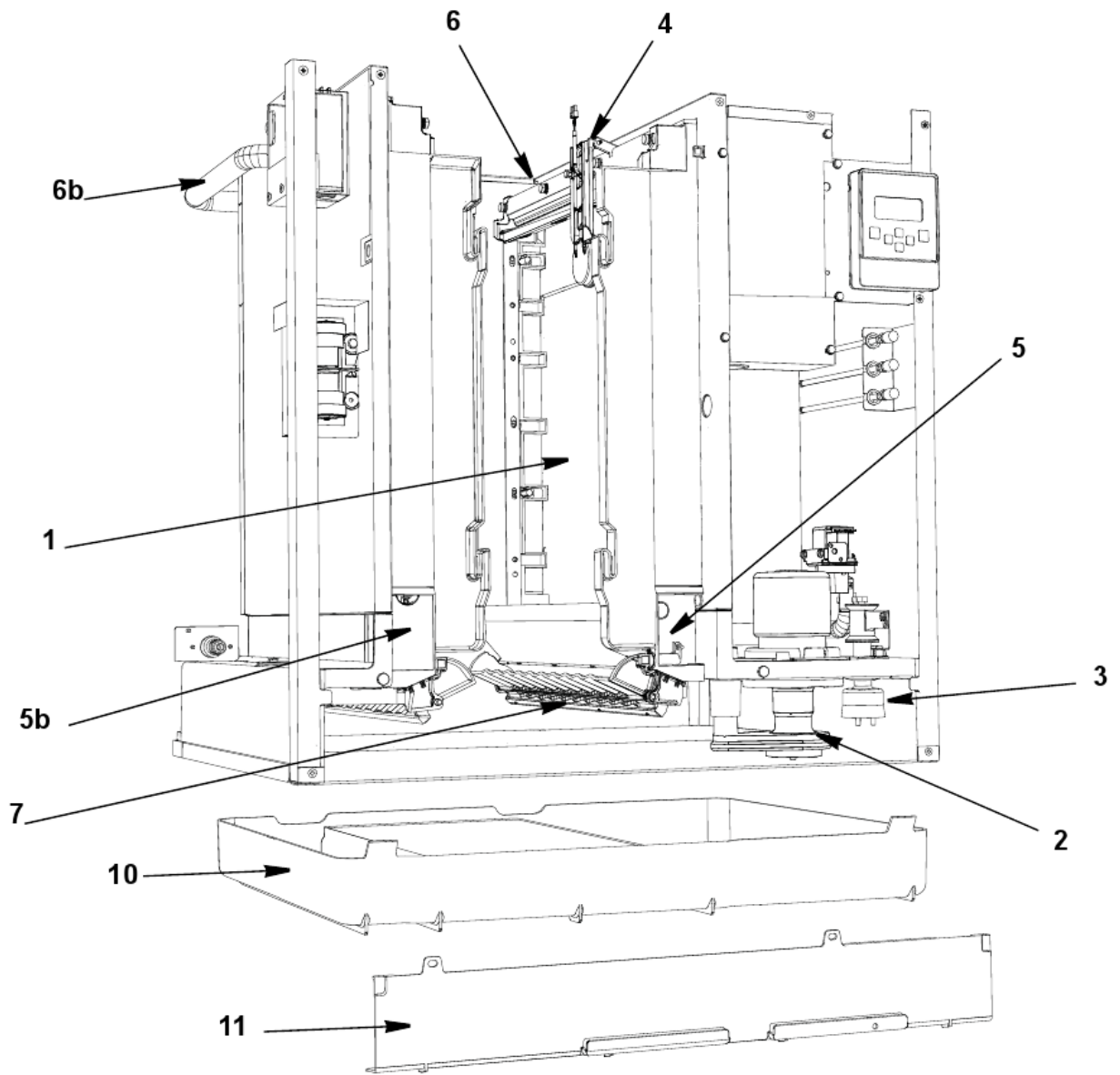
#	PART #	DESCRIPTION	QTY	Note
1	000008309	Control Board		
1a	000009181	8 amp Ceramic Fuse - Mounted on Control Board		
2	8373263	Refrigeration Service Valve Assembly		
2a	000008049	Refrigeration Service Valve Bracket		
2b	2502189	Bushing - 0.625"		
2c	5202099	Screw - #10-24 x 0.50" PHIL		
3	000006728	LCD Display		
4	000008031	Touch Pad with Housing		
5	000007737	LCD Wiring Harness - 30" Long		
6	000007902	Touch Pad/Housing Mounting Bracket		
7		Front Panel LCD Frame		
7a	000006647	LCD Frame with Key Guard		
7b	000006564	LCD Frame without Key Guard		
7c	K00433	Display Cover		[1]
8	000007962	Control Box		
9	000009953	Control Box Cover		
10	4302253	Control Board Mounting Supports		
11	5202169	Screw - #10-24 x 0.50" Ground		
11a	5573209	Star Washer		
12	2500169	Bushing - 0.91" OD x 0.44" ID		
13		Control Box Wiring Harness		
13a	000008464	Control Box Wiring Harness - 115V/60 Hz/1 Ph		
13b	000001931	Control Box Wiring Harness - 230V/50 Hz/1 Ph		
14		Refrigeration Compartment Wiring Harness		
14a	000010514	Refrigeration Compartment Wiring Harness - 230V/50 Hz/1 Ph		

**PART NOTES:**

[1] - hides the display completely

# i2176C, iCVD2096 Indigo

## I2176C EVAPORATOR COMPARTMENT - COMMON COMPONENTS



# i2176C, iCVD2096 Indigo

## I2176C EVAPORATOR COMPARTMENT - COMMON COMPONENTS

#	PART #	DESCRIPTION	QTY	Note
1		Evaporator Assembly		
1a	000011476	Evaporator - Dice Cube		
1b	000011475	Evaporator - Half Dice Cube		
2		Water Pump		
2a	000001153	Water Pump - 115V/60 Hz		
2b	000000259	Water Pump - 230V/50 Hz		
3	000007052	Water Level Probe		
3a	000007053	Water Level Probe - Holder		
3b	000008027	Mounting Bracket Plastic		
3c	000007099	Wire - Control Box to Probe		
3d	5202099	Screw - #10-24 x 0.50" PHIL		[1]
4	000008660	Ice Thickness Control Probe		
5	000001756	Magnetic Bin Switch		
5a	000007441	Bin Switch Wiring Harness		
5b	000001421	Bin Switch Covers		
6	7602193	Water Distribution Tube - 30" L		
6a	000001118	Molded Vinyl Tube		[2]
6b	000001117	Molded Vinyl Tube		[3]
6c	000001986	Barbed Fitting		
6d	5650609	Snap Clamp - 1.0" ID		[4]
6e	5650539	Snap Clamp - 1.123 x 1.296		[5]
6f	4014693	Fitting		[6]
6g	000002465	Fitting Bracket		
7	000002056	Ice Damper Assembly		
8	000009176	Splash Shields		
9	000009118	Front Splash Shield		
10	000001097	Water Trough		
11	000002190	Front Panel Mount		
12	000002176	Evaporator Top Filler Covers		
13	000002307	Evaporator Right/Left Filler Panels		
14	000002786	Evaporator Top Frame Assembly		
15	000001416	Evaporator Bottom Covers		
16	000001143	Evaporator Bottom Frame		
17	5004799	Thumbscrew SS - #8-32 x 0.375"		
17a	5004629	O-Ring - 0.125" ID		
18	5012319	Screw - #12-16 x 0.75"		
19	000008028	Water Pump Mount		
20	5004659	Water Pump Base O-Ring - 4.00" ID		
21	5004679	Water Pump Outlet O-Ring - 0.875" ID		
22	5202069	Screw - #10-24 x 0.50" HEX		[7]
23	000002476	Washer		[7]

### PART NOTES:

- [1] - to mount water level probe holder
- [2] - to Right Hand Distribution Tube

# i2176C, iCVD2096 Indigo

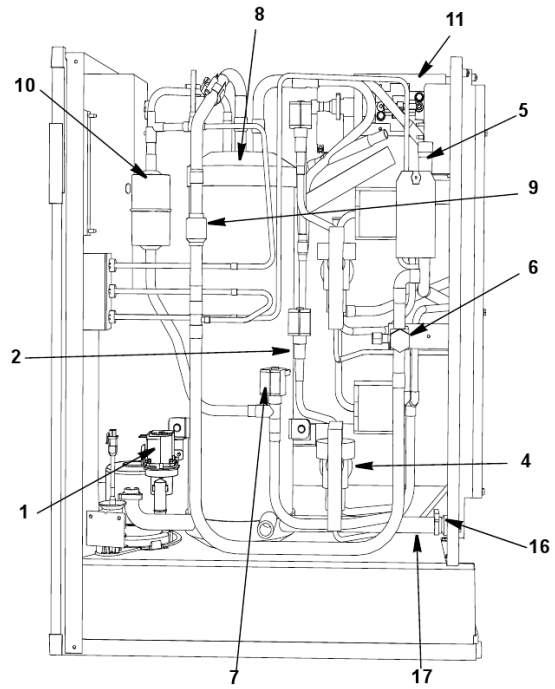
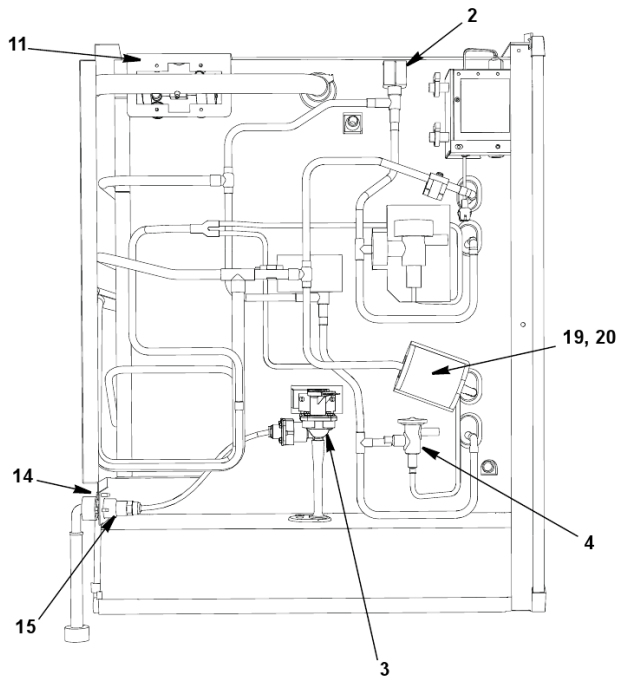
## I2176C EVAPORATOR COMPARTMENT - COMMON COMPONENTS

### PART NOTES:

- [3] - to Left Hand Distribution Tube
- [4] - for barbed fitting
- [5] - vinyl tubes to distribution tubes
- [6] - through bulkhead
- [7] - water pump to pump mount

# i2176C, iCVD2096 Indigo

## I2176C REFRIGERATION COMPARTMENT - COMMON COMPONENTS





# i2176C, iCVD2096 Indigo

## I2176C REFRIGERATION COMPARTMENT - COMMON COMPONENTS

#	PART #	DESCRIPTION	QTY	Note
1		Water Dump Valve		
1a	000001767	Water Dump Valve - 115V/60 Hz		
1b	000001768	Water Dump Valve - 208-230V/50-60 Hz		
1c	000001911	Dump Valve Mounting Bracket		
2		Harvest Valve		
2a	000007018	Solenoid Valve Including 115V/60 Hz Electrical Coil		
2b	000005156	Danfoss Solenoid Valve Coil Only - 115V/60 Hz		[1]
2c	000007015	Solenoid Valve Including - 208-230V/50-60 Hz Electrical Coil		
2d	000005157	Danfoss Solenoid Valve Coil Only - 230V/50-60 Hz		[2]
3		Water Inlet Valve with Bracket		
3a	000009123	Water Inlet Valve - 115V/60 Hz/1 Ph		
3b	000009122	Water Inlet Valve - 208-230V/50-60 Hz		
4	000011513	Expansion Valve		
4a	4000403	Valve Insulation Boot - Body		
4b	4000923	Valve Insulation Boot - Bulb		
5	8373283	Manual Shut-off Valve - 0.75"		
5a	6036261	Bracket - 3/4" Valve		
6	8373303	Manual Shut-off Valve - 0.625"		
6a	6036721	Bracket - 1/2" Valve		
7		Liquid Line Solenoid Valve		
7a	000007018	Solenoid Valve Including 115V/60 Hz Electrical Coil		
7b	000005156	Danfoss Solenoid Valve Coil Only - 115V/60 Hz		[1]
7c	000007017	Solenoid Valve Including 208-230V/50-60 Hz Electrical Coil		
7d	000005157	Danfoss Solenoid Valve Coil Only - 230V/50-60 Hz		[2]
8	7629603	Receiver		
8a	000001779	Bottom Bracket - Receiver		
8b	000001780	Top Bracket - Receiver		
8c	6307214	Receiver Mounting Strap		
9	000001290	Check Valve		
10	000002883	Drier		
11		Air Pumps		
11a	000007222	Air Assist - 115V/60 Hz		
11b	000007223	Air Assist - 230V/50-60 Hz		
11c	4011739	Air Manifold		[3]
11d	000006489	Air Assist Bracket		
12	K00434	LuminIce		
12a	K00425	LuminIce Bulb		
12b	000008283	LuminIce Wiring Harness		
12c	000007990	Bulkhead Fitting 2.25"		
12d	000008269	Bulkhead Fitting 2.75"		
13	000008310	Thermistor with Spring Clips		
14	8706093	Female Wing Adapter - 0.375"		
15	1360961	Male Connector		
16	8706083	Female Wing Adapter - 0.50"		
17	000002340	Water Drain Tubing		
18	5650709	Snap Clamp - 0.799"/0.899" ID		

# i2176C, iCVD2096 Indigo

## I2176C REFRIGERATION COMPARTMENT - COMMON COMPONENTS

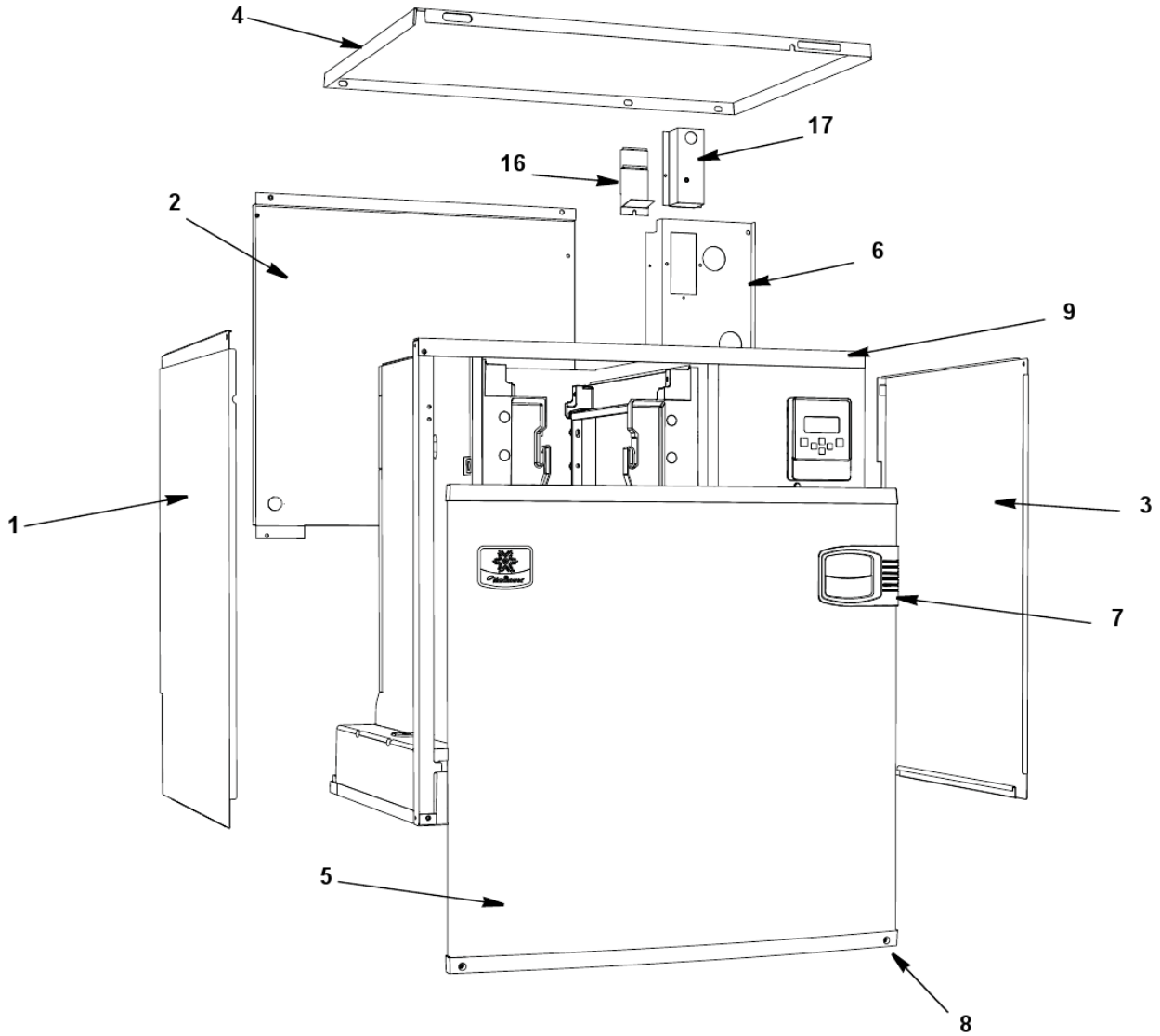
#	PART #	DESCRIPTION	QTY	Note
19	5650529	Clamp - Expansion Valve Bulb		
20	3000503	Strap - Expansion Valve Bulb - 0.5"		
21	5202069	Screw - #10-24 x 0.50" HEX		
22	4010439	Tubing - Water Inlet Valve		[4]
23	000002250	Mylar Shield - Water Inlet Valve		
24	4420291	Vinyl Tube - 0.25" OD		
25	4420883	Vinyl Tubing - 0.25" ID		
26	5000013	Thumbscrew - #8-32 x 0.375"		
27	000002466	Screw - #10-24 x 0.312"		[5]
28	4302643	Plug - 0.625"		

### PART NOTES:

- [1] - \pages from 000005156\_02.jpg" width=280 height=256>
- [2] - \pages from 000005156\_02.jpg" width=266 height=183>
- [3] - air pump tubing outlet
- [4] - \pages from 401043\_05.jpg" width=1797 height=2238>
- [5] - Slot Hex

# i2176C, iCVD2096 Indigo

## I2176C HEAD SECTION - PANELS



# i2176C, iCVD2096 Indigo

## I2176C HEAD SECTION - PANELS

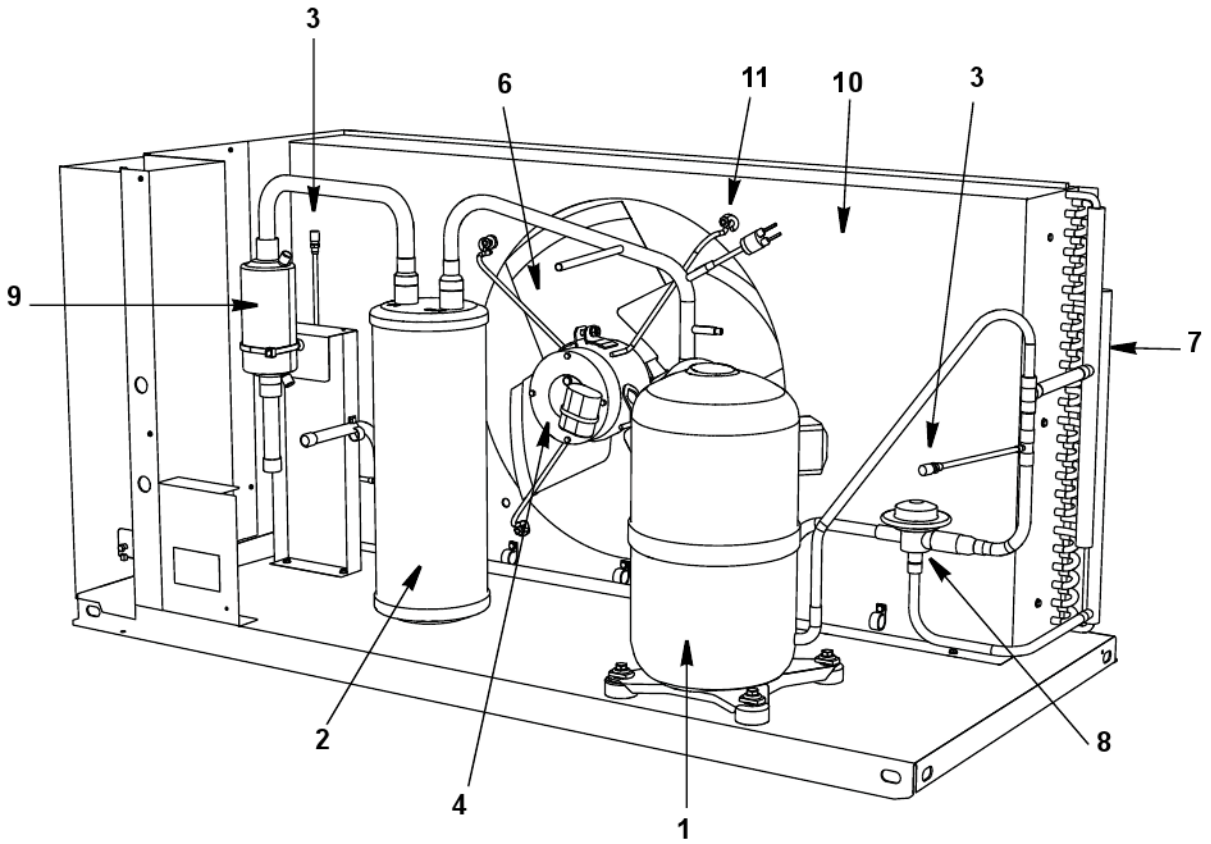
#	PART #	DESCRIPTION	QTY	Note
1	000008144	Left Side Panel		
2	000008146	Back Panel		
3	000008145	Right Side Panel		
4	000006699	Top Cover		
5	000010512	Front Door		
5a	000007599	Top Endcap		
5b	000007600	Bottom Endcap		
6	000010420	Coupling Panel		
7		Front Panel LCD Frame		
7a	000006647	LCD Frame with Key Guard		
7b	000006564	LCD Frame without Key Guard		
7c	K00433	Display Cover		[1]
8	000008023	Screw - #8-32 x 0.875"		
9	000007961	Top Front Rail		
9a	5202099	Screw - #10-24 x 0.50" PHIL		
9b	000002246	Plastic Dome Head Plug		
10	000007900	Front Panel Mounting Bracket		
10a	5026739	Mounting Screw 8-32 x 0.50 Phil		
11	000007838	Bottom Front Rail		
11a	5005099	Screw - #10-16 x 0.625"		
12		Front Posts		
12a	000008252	Front Post - Left		
12b	000008156	Front Post - Right		
13	5000373	Screw - #10-24 x 0.5" PHIL		
14	000002288	Spacer, Top Cover		
15	2006143	Terminal Block - 50 Hz - 3 Pole		
16		Electrical Connection Box Cover		
16a	000002230	Control Box		
16b	000002317	Electrical Connection Box Cover		
16c	5202069	Screw - #10-24 x 0.50" HEX		
17		Electrical Connection Box		
17a	6063989	Electrical Connection Box		
17b	000002316	Control Box		
18	7112429	Cartoning		

**PART NOTES:**

[1] - hides the display completely

# i2176C, iCVD2096 Indigo

## ICVD2096 CONDENSING UNIT



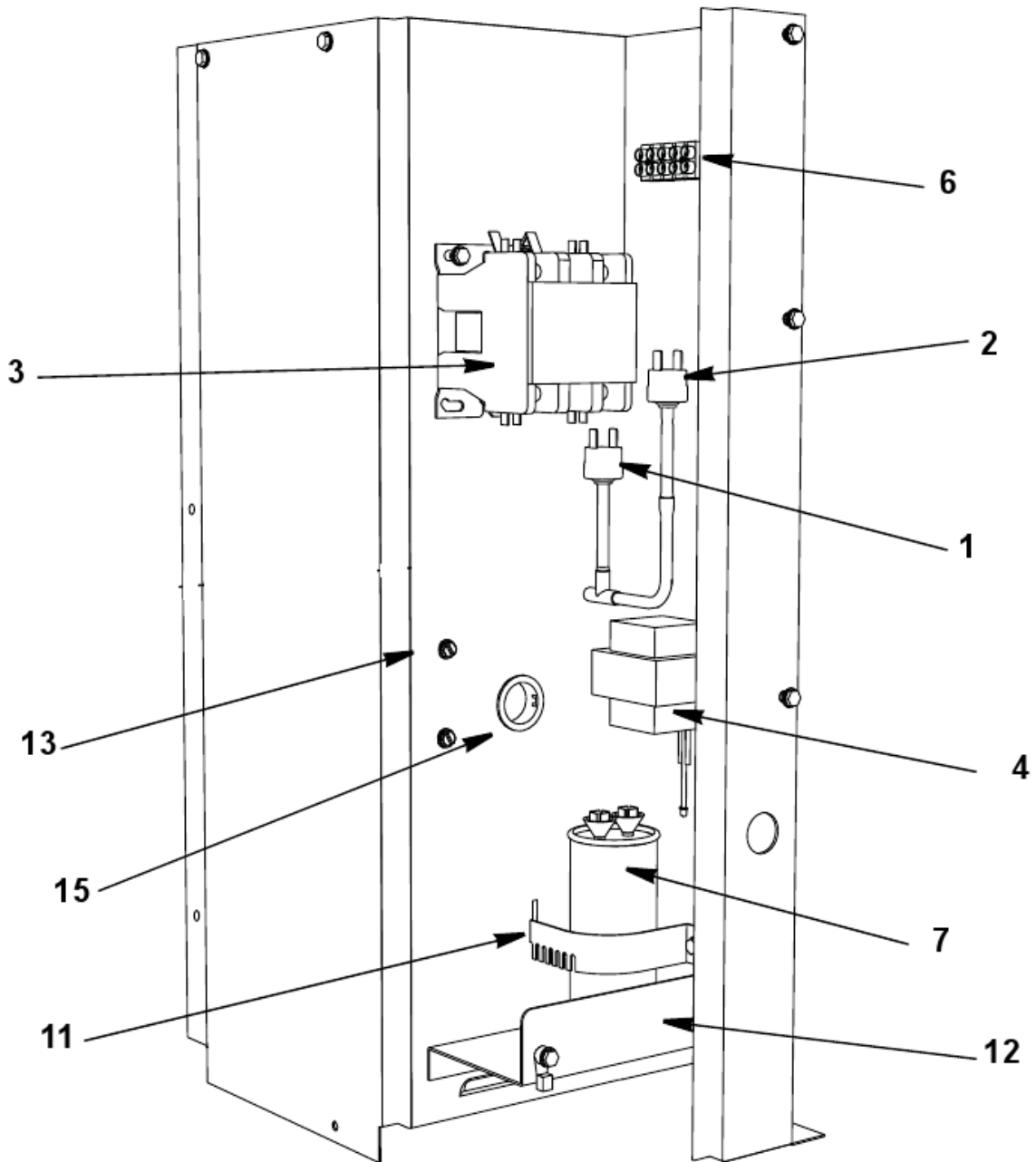
# i2176C, iCVD2096 Indigo

## ICVD2096 CONDENSING UNIT

#	PART #	DESCRIPTION	QTY	Note
1		Compressor		
1a	000011514	Compressor 208-230V/60 Hz/1 Ph		
1b	000008446	Compressor - Bristol - 208-230V/60 Hz/3 Ph		
2	8250473	Accumulator		
3	8373253	Access Valve		
4		Fan Motor		
4a	2000189	Fan Motor - 208-230V/60 Hz/1-3 Ph		
5	2002229	Low Pressure Cut-out		
6	8250083	Fan Blade		
7	8851413	Air Condenser		
8	000003190	Head Pressure Control Valve - 240 PSI		
9	8250559	Suction Line Filter		
9a	000006484	Suction Line Filter Bracket		
9b	000002210	Suction Line Filter Tie		
10	000002790	Fan Shroud		
11	3006833	Fan Motor Mounting Bracket		
11a	5033589	Mounting - Screw		
11b	5429559	Mounting - Rubber Wellnut		
12		Compressor Mounting		
12a	5035729	Mounting - Bolt		
12b	8503069	Mounting - Rubber Grommet		
12c	5573099	Mounting - Flatwasher		
12d	8503949	Mounting - Sleeve		
13	2512063	Strain Relief Bushing		
14	000001289	Check Valve		

# i2176C, iCVD2096 Indigo

## ICVD2096 CONDENSING UNIT - CONTROL BOX



# i2176C, iCVD2096 Indigo

## ICVD2096 CONDENSING UNIT - CONTROL BOX

#	PART #	DESCRIPTION	QTY	Note
1	2001263	Fan Cycling Control - 200-250 psig		[1]
2	2001243	HPCO		
3		Contactator		
3a	000007597	Contactator - 50-60 Hz/1 Ph - 24 Volt Coil		
3b	000007598	Contactator - 60 Hz/3 Ph - 24 Volt Coil		
4	000007581	Transformer		
5		Wiring Harness		
5a	000007741	Wiring Harness - 230V/60 Hz/1 Ph		
5b	000007747	Wiring Harness - 230V/60 Hz/3 Ph		
6		Terminal Block		
6a	000009929	Terminal Block - 60 Hz with Wiring Harness		
7	000005488	Run Capacitor - 115-230V/50-60 Hz/1 Ph		
8		Start Capacitor		
8a	8505823	Start Capacitor 50-60 Hz/1 Ph		
9		Start Relay		
9a	000007761	Start Potential Relay - 60 Hz/1 Ph		
10	5202069	Screw - #10-24 x 0.50" HEX		
11	6021601	Capacitor Mounting Strap		
12	6034981	Capacitor Mounting Bracket		
13	5202169	Screw - #10-24 x 0.50" Ground		
14	2500169	Bushing - 0.91" OD x 0.44" ID		
15	2500029	Bushing - 1.125" OD x 0.75" ID		

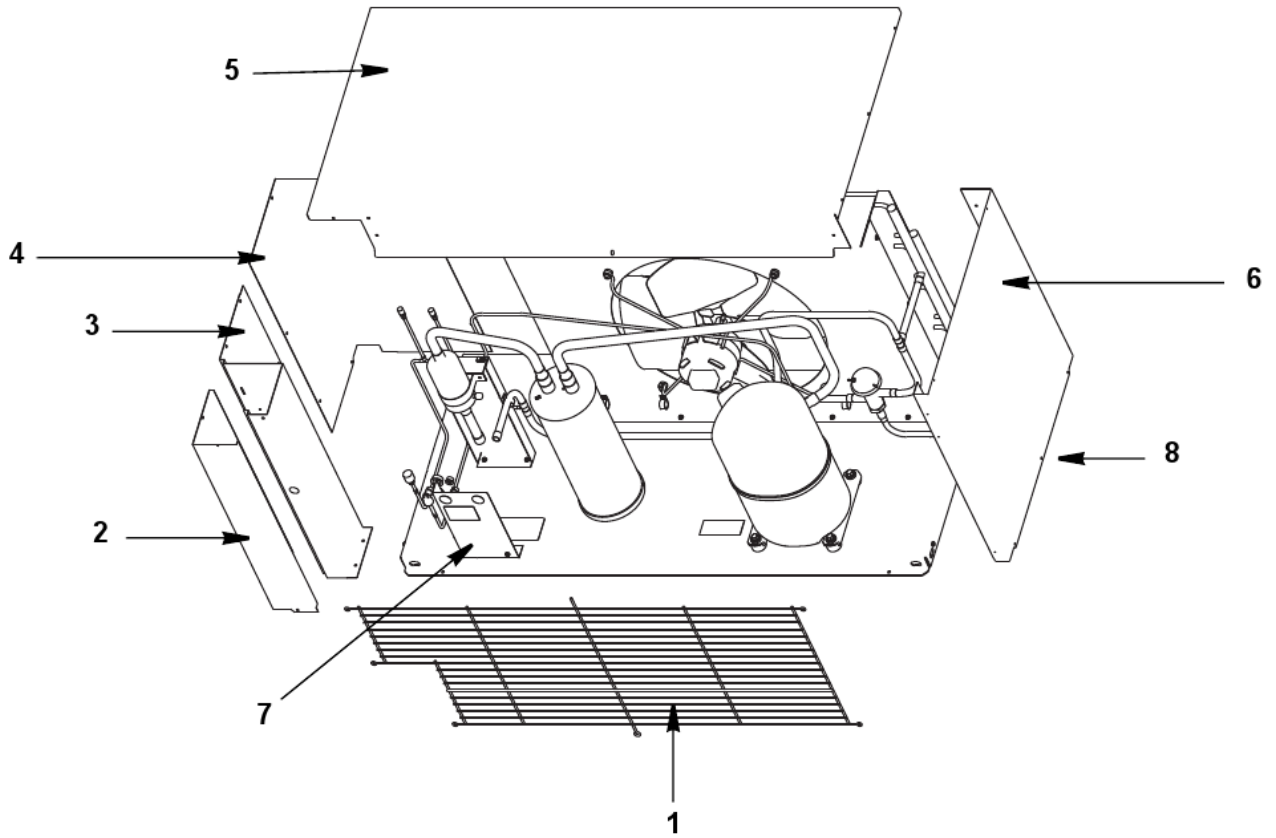
### PART NOTES:

[1] - \pages from 200126\_09.jpg" width=150 height=306>



# i2176C, iCVD2096 Indigo

## ICVD2096 CONDENSING UNIT PANELS



# i2176C, iCVD2096 Indigo

## ICVD2096 CONDENSING UNIT PANELS

#	PART #	DESCRIPTION	QTY	Note
1	3000143	Condenser Fan Guard		
2	6040171	Control Box Cover		
3	000006035	Control Box Panel		
4	000002144	Left Side Panel		
5	000002142	Top Cover		
6	6038741	Right Side Panel		
7	6042261	Condensing Unit Tube Shield		
8	5202069	Screw - #10-24 x 0.50" HEX		
9	000001025	Cartoning		