



Manitowoc
Foodservice
Parts Manual

For more Parts Information:
<https://manitowocfsg.sysonline.com/Default.aspx>

TABLE OF CONTENTS

Manitowoc Foodservice [Updated: Apr. 23, 2015]

Manitowoc - Ice & Related

Parts Catalog

Ice Machine

Indigo Series

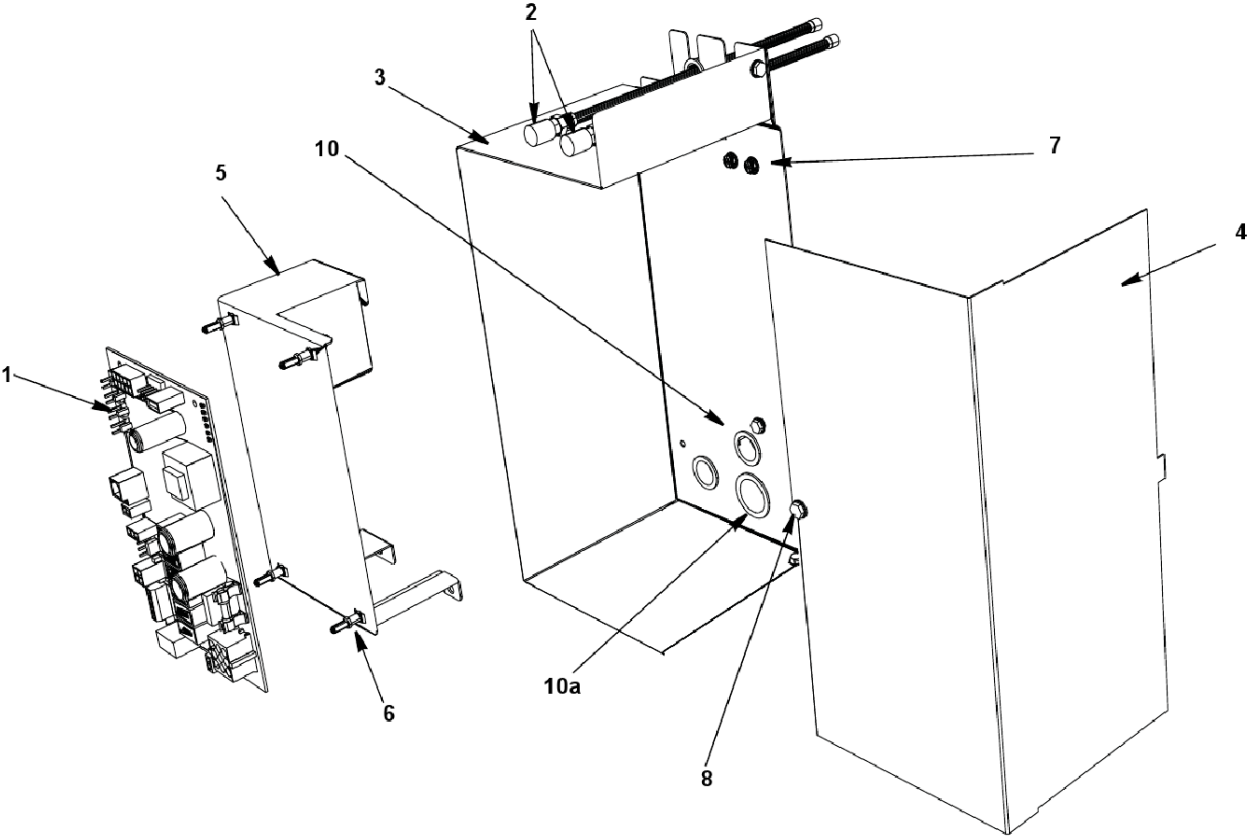
Indigo Model - QuietQube

i1176C, iCVD1195 Indigo

i1176C Head Section - Control Box Components	1
i1176C Head Section - Evaporator Components	3
i1176C Head Section - Refrigeration Components - View 1	5
i1176C Head Section - Refrigeration Components - View 2	7
i1176C Head Section- Panels	9
iCVD1195 Condensing Unit - Refrigeration Components	11
iCVD1195 Condensing Unit - Panels	14

i1176C, iCVD1195 Indigo

I1176C HEAD SECTION - CONTROL BOX COMPONENTS

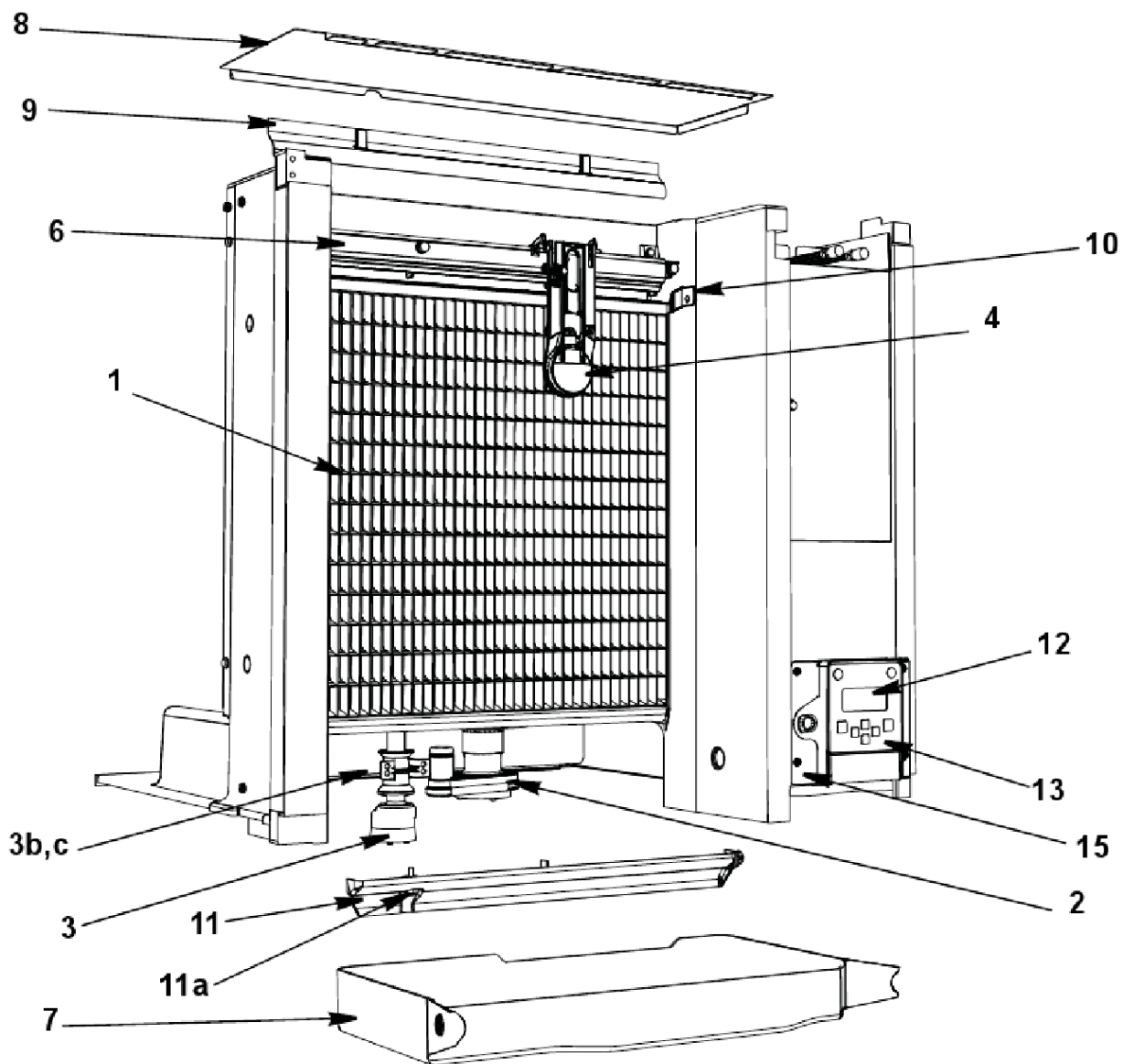


i1176C, iCVD1195 Indigo

I1176C HEAD SECTION - CONTROL BOX COMPONENTS

#	PART #	DESCRIPTION	QTY	Note
1	000008309	Control Board		
1a	000009181	8 amp Ceramic Fuse - Mounted on Control Board		
2	8373263	Refrigeration Service Valve Assembly		
3	000008279	Control Box		
4	000010421	Control Box Cover		
5	000007564	Control Board Mounting Bracket		
6	4302253	Control Board Mounting Supports		
7	5202169	Screw - #10-24 x 0.50" Ground		
7a	5573209	Star Washer		
8	5202069	Screw - #10-24 x 0.50" HEX		
9	5573209	Star Washer		
10	2501409	Bushing - 0.875"		
10a	2500019	Bushing - 1.187"		
11		Control Box Wiring Harness		
11a	000007182	Control Box Wiring Harness - 115V/60 Hz/1 Ph		
11b	000007183	Control Box Wiring Harness - 230V/50 Hz/1 Ph		
12		Refrigeration Compartment Wiring Harness		
12a	000007187	Wiring Harness - Refrigeration Compartment - 115V/60 Hz/1 Ph & 230V/50 Hz/1 Ph		

I1176C HEAD SECTION - EVAPORATOR COMPONENTS



i1176C, iCVD1195 Indigo

I1176C HEAD SECTION - EVAPORATOR COMPONENTS

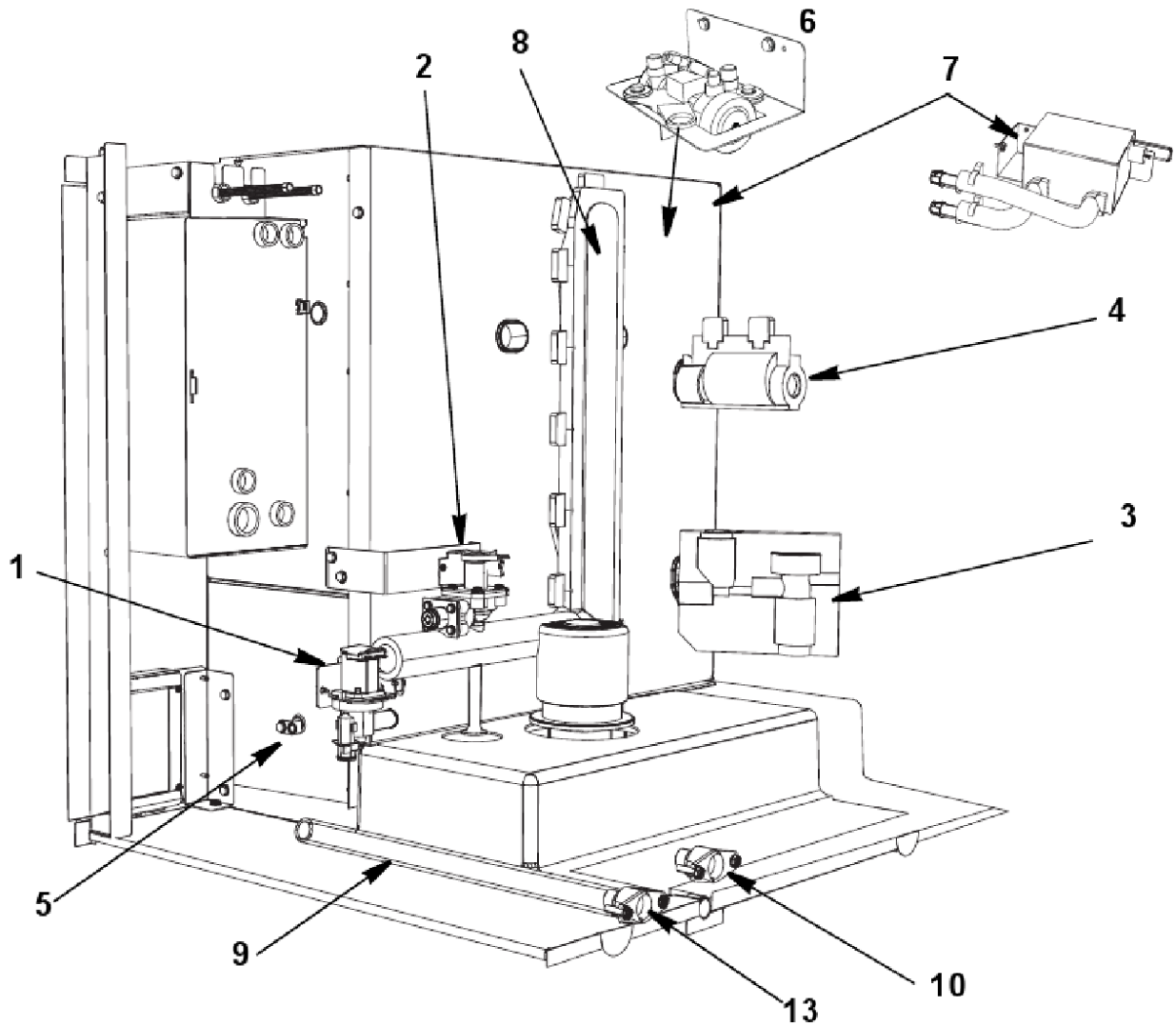
#	PART #	DESCRIPTION	QTY	Note
1		Evaporator Assembly		
1a	000013523	Evaporator - Dice Cube		
1b	000013524	Evaporator - Half Dice Cube		
2		Water Pump		
2a	2008489	Water Pump - 115V/60 Hz		
2b	2008109	Water Pump - 230V/60 Hz		
2c	000010244	Water Pump Mount		
3	000007052	Water Level Probe		
3a	000007724	Wire - Control Box to Water Level Probe		
3b	000007053	Water Level Probe - Holder		
3c	5202099	Screw - #10-24 x 0.50" PHIL		
4	000008660	Ice Thickness Control Probe		
5	4010989	Water Curtain		
6	7602193	Water Distribution Tube - 30" L		
6a	5004649	O-Rings		
7	000010337	Water Trough		[1]
8	000009055	Foodzone Seal Panel		
9	4008469	Evaporator Top Filler Panel		
9a	6063339	Bracket - Top Filler Panel		
9b	5202099	Screw - #10-24 x 0.50" PHIL		
10	7602203	Evaporator Top Frame Assembly		
11	7602213	Water Diverter - 30" Models		
11a	5305123	Thumbscrew SS - #8-32 x 0.44"		
12	000006728	LCD Display		
13	000007926	Touch Pad with Housing		
14	000007737	LCD Wiring Harness - 30" Long		
15	000006697	Touch Pad/Housing Mounting Bracket		
16		Front Panel LCD Frame		
16a	000006647	LCD Frame with Key Guard		
16b	000006564	LCD Frame without Key Guard		
16c	K00433	Display Cover		[2]
17	000006700	Ice Deflector		
18	5004799	Thumbscrew SS - #8-32 x 0.375"		
18a	5004629	O-Ring - 0.125" ID		
19	5004619	Screw - #12-16 x 0.687"		
20	5004659	Water Pump Base O-Ring - 4.00" ID		
21	5004679	Water Pump Outlet O-Ring - 0.875" ID		

PART NOTES:

- [1] - \water trough with tabs.jpg" width=355 height=194>
- [2] - hides the display completely

i1176C, iCVD1195 Indigo

I1176C HEAD SECTION - REFRIGERATION COMPONENTS - VIEW 1



i1176C, iCVD1195 Indigo

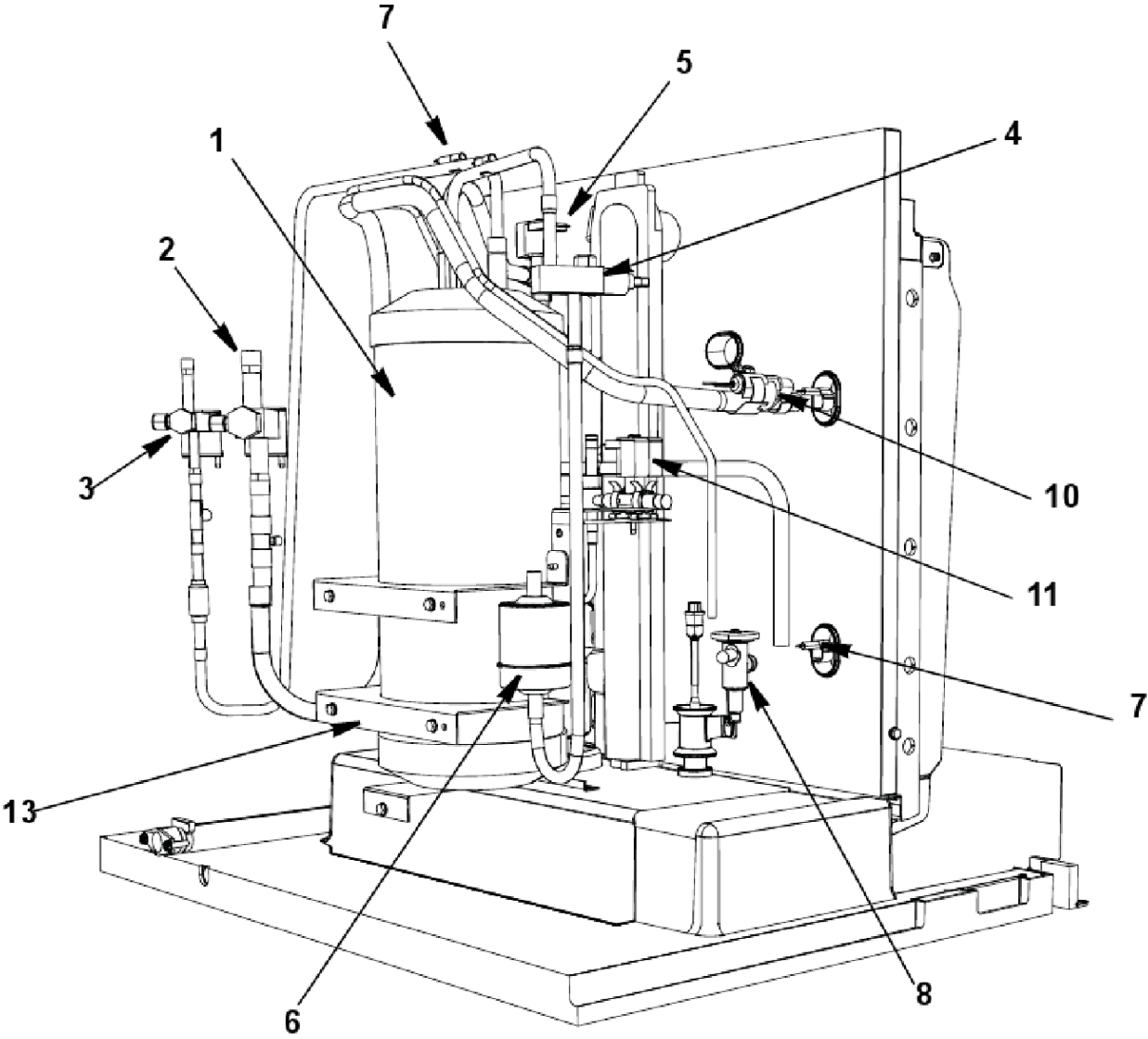
I1176C HEAD SECTION - REFRIGERATION COMPONENTS - VIEW 1

#	PART #	DESCRIPTION	QTY	Note
1		Water Dump Valve		
1a	000001767	Water Dump Valve - 115V/60 Hz		
1b	000001768	Water Dump Valve - 208-230V/50-60 Hz		
1c	6058459	Water Dump Valve Mounting Bracket		
1d	4420383	Clear Tubing - 0.625" ID		
2		Water Inlet Valve with Bracket		
2a	000009123	Water Inlet Valve - 115V/60 Hz/1 Ph		
2b	000009122	Water Inlet Valve - 208-230V/50-60 Hz		
3	4000363	Valve Insulation Boot - Body		[1]
4	4007203	Valve Insulation Boot - Bulb		[2]
5	000007888	Magnetic Bin Switch		
5a	000007410	Bin Switch Wiring Harness		
6		Air Assist		
6a	000007222	Air Assist - 115V/60 Hz		
6b	000007223	Air Assist - 230V/50-60 Hz		
6c	4011739	Air Manifold		
6d	000006489	Air Assist Bracket		
6e	3001453	Air Assist - Nozzle		
7	K00424	LuminIce		
7a	K00425	LuminIce Bulb		
7b	000007409	LuminIce Wiring Harness		
7c	000007990	Bulkhead Fitting 2.25"		
7d	000008269	Bulkhead Fitting 2.75"		
8	000003406	Insulated Tube		
8a	5650609	Snap Clamp - 1.0" ID		
8b	5650709	Snap Clamp - 0.799"/0.899" ID		
9	000001382	Vinyl Tubing 0.625" ID		
9a	6038831	Insulation 0.88 ID X 0.25W X 13.50L		
9b	5650709	Snap Clamp - 0.799"/0.899" ID		
10	8706093	Female Wing Adapter - 0.375"		
10a	1360961	Male Connector		
11	4010439	Tubing - Water Inlet Valve		[3]
12	1360989	Connector - Water Inlet Valve		
13	8706133	Female Wing Adapter - 0.50"		
14	5202069	Screw - #10-24 x 0.50" HEX		

PART NOTES:

- [1] - \400036_05.jpg" width=2436 height=1463>
- [2] - \pages from 400720_08.jpg" width=923 height=583>
- [3] - \pages from 401043_05.jpg" width=1797 height=2238>

I1176C HEAD SECTION - REFRIGERATION COMPONENTS - VIEW 2



i1176C, iCVD1195 Indigo

I1176C HEAD SECTION - REFRIGERATION COMPONENTS - VIEW 2

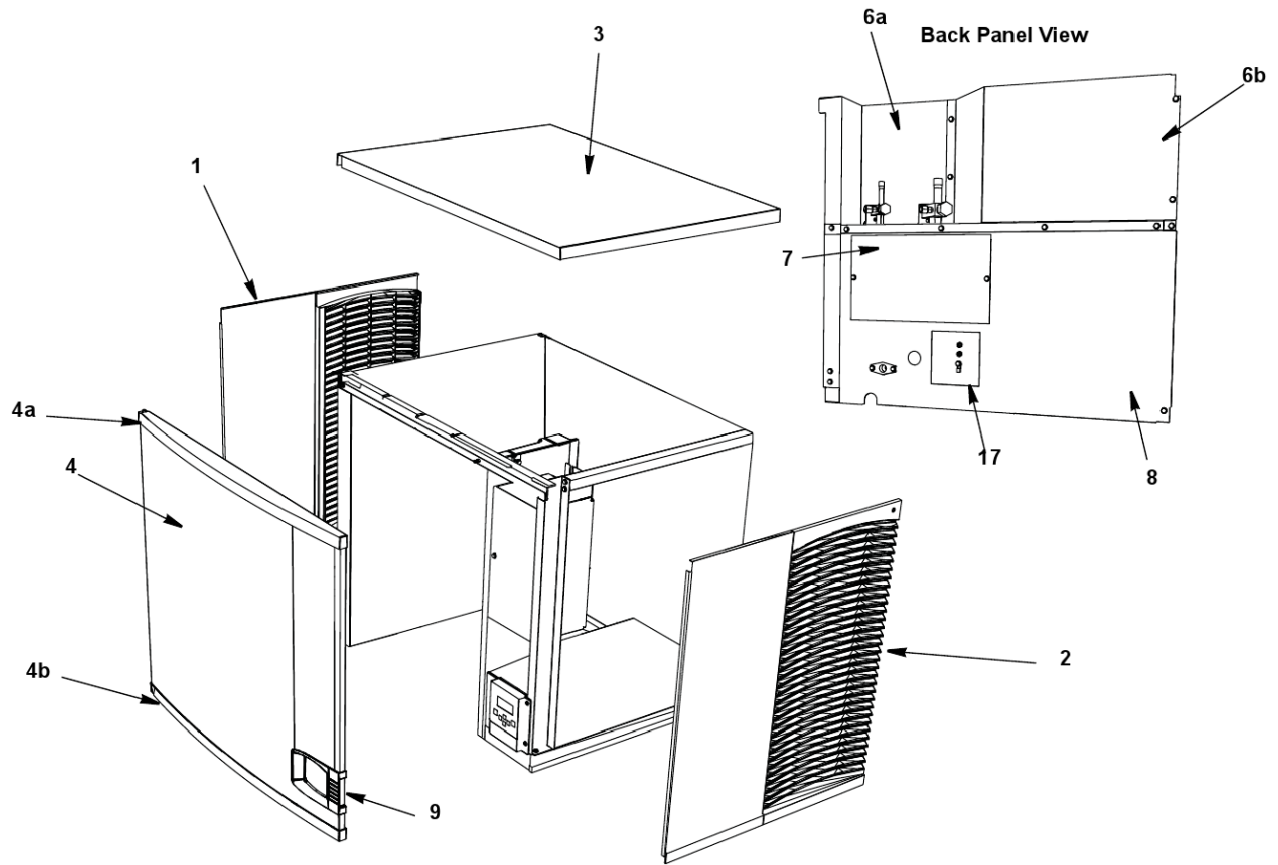
#	PART #	DESCRIPTION	QTY	Note
1	7629593	Receiver		
2	8373303	Manual Shut-off Valve - 0.625"		
2a	8373023	Valve Cap		
2b	4007403	Valve Insulation Boot - Body		[1]
2c	4007203	Valve Insulation Boot - Bulb		[2]
3	8373293	Manual Shut-off Valve - 0.375"		
3a	8373023	Valve Cap		
4	8373169	Receiver Service Valve		
4a	5650753	Caps for Refrigeration Service Valve		
5		Liquid Line Solenoid Valve		
5a	000007027	Solenoid Valve with Electrical Coil - 115V/60 Hz		
5b	000005156	Danfoss Solenoid Valve Coil Only - 115V/60 Hz		[3]
6	8930279	Drier		
7	000008310	Thermistor with Spring Clips		
8	7601583	Expansion Valve		
9	5650529	Clamp - Expansion Valve Bulb		
10	3000503	Strap - Expansion Valve Bulb - 0.5"		
11		Harvest Valve		
11a	000007025	Solenoid Valve with Electrical Coil - 115V/60 Hz		
11b	000005156	Danfoss Solenoid Valve Coil Only - 115V/60 Hz		[3]
12	5650619	Screw Mounting Base		
13		Receiver Mounting		
13a	6000561	Receiver Mounting Bracket		
13b	6307214	Receiver Mounting Strap		
13c	000006731	Receiver Mounting Support Bracket		
13d	6058659	Base, Water Condenser/Receiver		
13e	5202069	Screw - #10-24 x 0.50" HEX		

PART NOTES:

- [1] - \pages from 400740_02.jpg" width=362 height=281>
- [2] - \pages from 400720_08.jpg" width=923 height=583>
- [3] - \pages from 000005156_02.jpg" width=280 height=256>

i1176C, iCVD1195 Indigo

I1176C HEAD SECTION- PANELS



i1176C, iCVD1195 Indigo

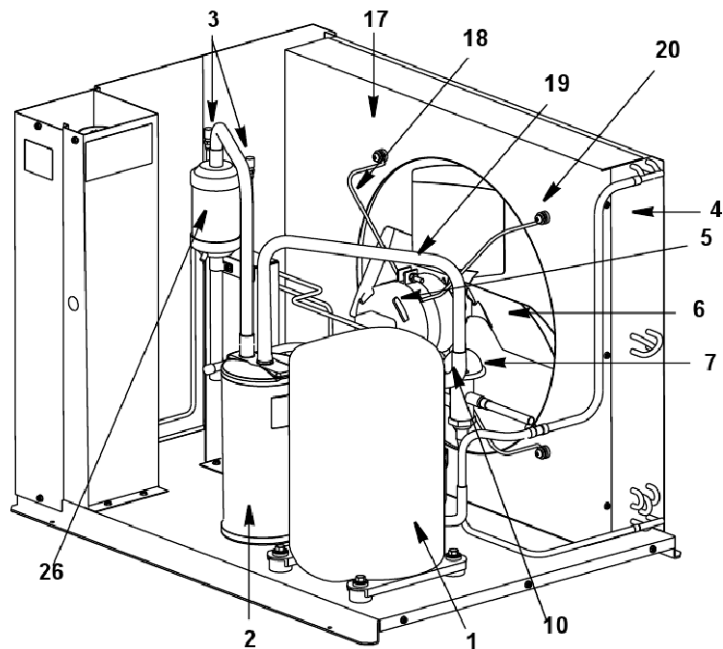
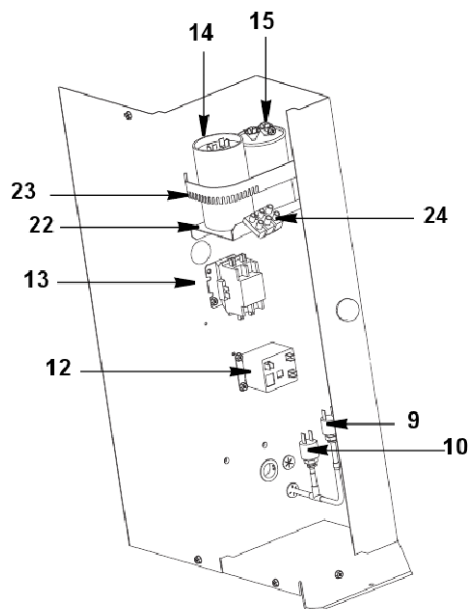
I1176C HEAD SECTION- PANELS

#	PART #	DESCRIPTION	QTY	Note
1	000005239	Left Panel - Standard		
2	000005237	Right Panel - Standard		
3	000006699	Top Cover		
4	000007045	Front Panel Assembly		
4a	000006538	Top Endcap		
4b	000006539	Bottom Endcap		
5	000010051	Front Top Support		
5a	5005379	Mounting Screw - #8-32 x 1.0" PHIL		
5b	5005099	Screw - #10-16 x 0.625"		
6		Top Back Panels		
6a	6062759	Top Back Panel - Left Side		
6b	6058679	Top Back Panel - Right Side		
7	6059689	Bottom Back Panel		
8	6062809	Coupling Panel		
9		Front Panel LCD Frame		
9a	000006647	LCD Frame with Key Guard		
9b	000006564	LCD Frame without Key Guard		
9c	K00433	Display Cover		[1]
10	5004899	Front Door Screw		
11	7602263	Bottom Door Frame		
11a	5005379	Mounting Screw - #8-32 x 1.0" PHIL		
11b	5202099	Screw - #10-24 x 0.50" PHIL		
12	3005579	Left Door Pivot Leaf Hinge		
12a	5005379	Mounting Screw - #8-32 x 1.0" PHIL		
13	000010300	Left Corner Post		
13a	6068649	Left Top Channel		
14	000010683	Right Corner Post		
14a	6062579	Right Top Channel		
17	Included in Back Panel Assembly	Electrical Connection Box Cover		
17a	2006143	Terminal Block - 50 Hz - 3 Pole		
17b	5202169	Screw - #10-24 x 0.50" Ground		
18	7112359	Cartoning		

PART NOTES:

[1] - hides the display completely

ICVD1195 CONDENSING UNIT - REFRIGERATION COMPONENTS



i1176C, iCVD1195 Indigo

ICVD1195 CONDENSING UNIT - REFRIGERATION COMPONENTS

#	PART #	DESCRIPTION	QTY	Note
1		Compressor		
1a	000012571	Compressor - Bristol - 208-230V/60 Hz/1 Ph		
1b	000012572	Compressor - Bristol - 208-230V/60 Hz/3 Ph		
2	000007281	Suction Accumulator		
3	8373253	Access Valve		
4	8851393	Air-cooled Condenser		
5		Fan Motor		
5a	2000189	Fan Motor - 208-230V/60 Hz/1-3 Ph		
6	2416113	Fan Blade		
7	000001982	Head Pressure Control Valve		
8	000001289	Check Valve		
9	2001263	Fan Cycling Control - 200-250 psig		[1]
10	2001243	HPCO		
11	2002229	Low Pressure Cut-out		
12	000007761	Start Potential Relay - 60 Hz/1 Ph		
13		Contactator		
13a	000007597	Contactator - 50-60 Hz/1 Ph - 24 Volt Coil		
13b	000007598	Contactator - 60 Hz/3 Ph - 24 Volt Coil		
14		Start Capacitor		
14a	000006454	Start Capacitor - 50-60 Hz/1 Ph		
15		Run Capacitor		
15a	2010133	Run Capacitor - 50 Hz		
16	000007581	Transformer		
17	6034491	Fan Shroud		
18	3006823	Fan Motor Mounting Bracket		
19	5033589	Mounting - Screw		
19a	5545119	Mounting - Lockwasher		
19b	5429529	Mounting - Hexnut		
20	5033589	Mounting - Screw		
20a	5545119	Mounting - Lockwasher		
20b	5573059	Mounting - Flatwasher		
20c	5429559	Mounting - Rubber Wellnut		
21	5202069	Screw - #10-24 x 0.50" HEX		
22	6034981	Capacitor Mounting Bracket		
23	6021601	Capacitor Mounting Strap		
24	000009929	Terminal Block - 60 Hz with Wiring Harness		
25	5202169	Screw - #10-24 x 0.50" Ground		
26	8250549	Suction Line Filter		
26a	000006484	Suction Line Filter Bracket		
27	000003447	Molded Plug		
28		Wiring Harness		
28a	000007741	Wiring Harness - 230V/60 Hz/1 Ph		
28b	000007740	Wiring Harness - 230V/50 Hz/1 Ph		

PART NOTES:

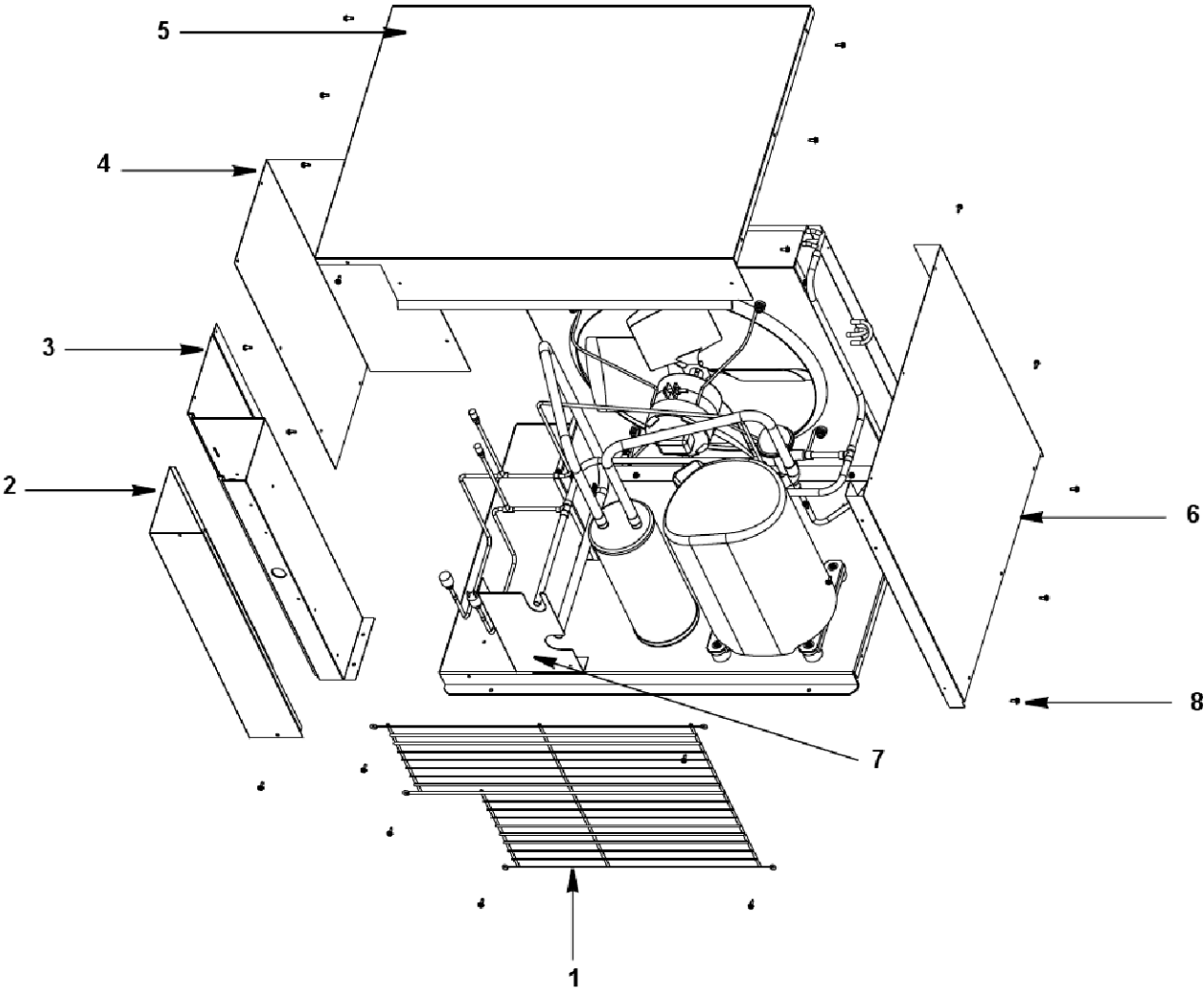
i1176C, iCVD1195 Indigo

ICVD1195 CONDENSING UNIT - REFRIGERATION COMPONENTS

PART NOTES:

[1] - \pages from 200126_09.jpg" width=150 height=306>

ICVD1195 CONDENSING UNIT - PANELS



i1176C, iCVD1195 Indigo

ICVD1195 CONDENSING UNIT - PANELS

#	PART #	DESCRIPTION	QTY	Note
1	3406893	Condenser Fan Guard		
2	6040171	Control Box Cover		
3	000006035	Control Box Panel		
4	6037291	Left Side Panel		
5	6034751	Cover Top		
6	6034701	Right Side Panel		
7	6042261	Condensing Unit Tube Shield		
8	5202069	Screw - #10-24 x 0.50" HEX		
9	000000768	Cartoning		