



Manitowoc

Foodservice

HOW TO READ A MODEL NUMBER

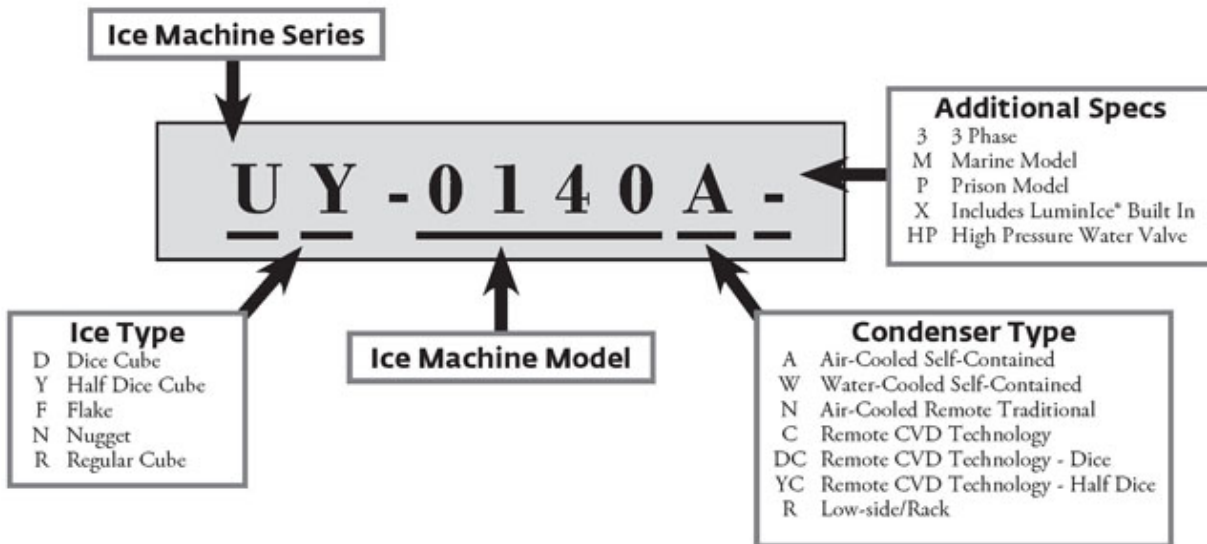


TABLE OF CONTENTS

Manitowoc Foodservice [Updated: Apr. 23, 2015]

Manitowoc - Ice & Related

Parts Catalog

Ice Machine

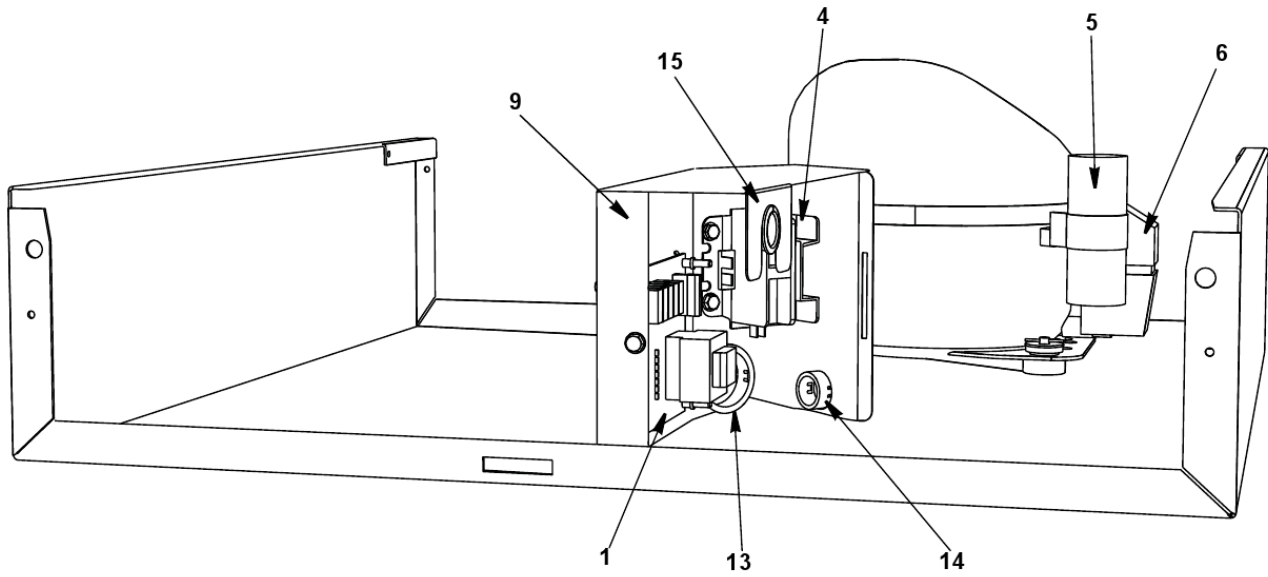
NEO UnderCounter Series

U0140

U0140 - Control Box Components	1
U0140 - Evaporator Compartment - Common Components	3
U0140 - Refrigeration Compartment - Common Components	5
U0140 - Refrigeration Compartment - Air-cooled Components	8
U0140 - Refrigeration Compartment - Water-cooled Components	10
U0140 - Panels	12

U0140

U0140 - CONTROL BOX COMPONENTS



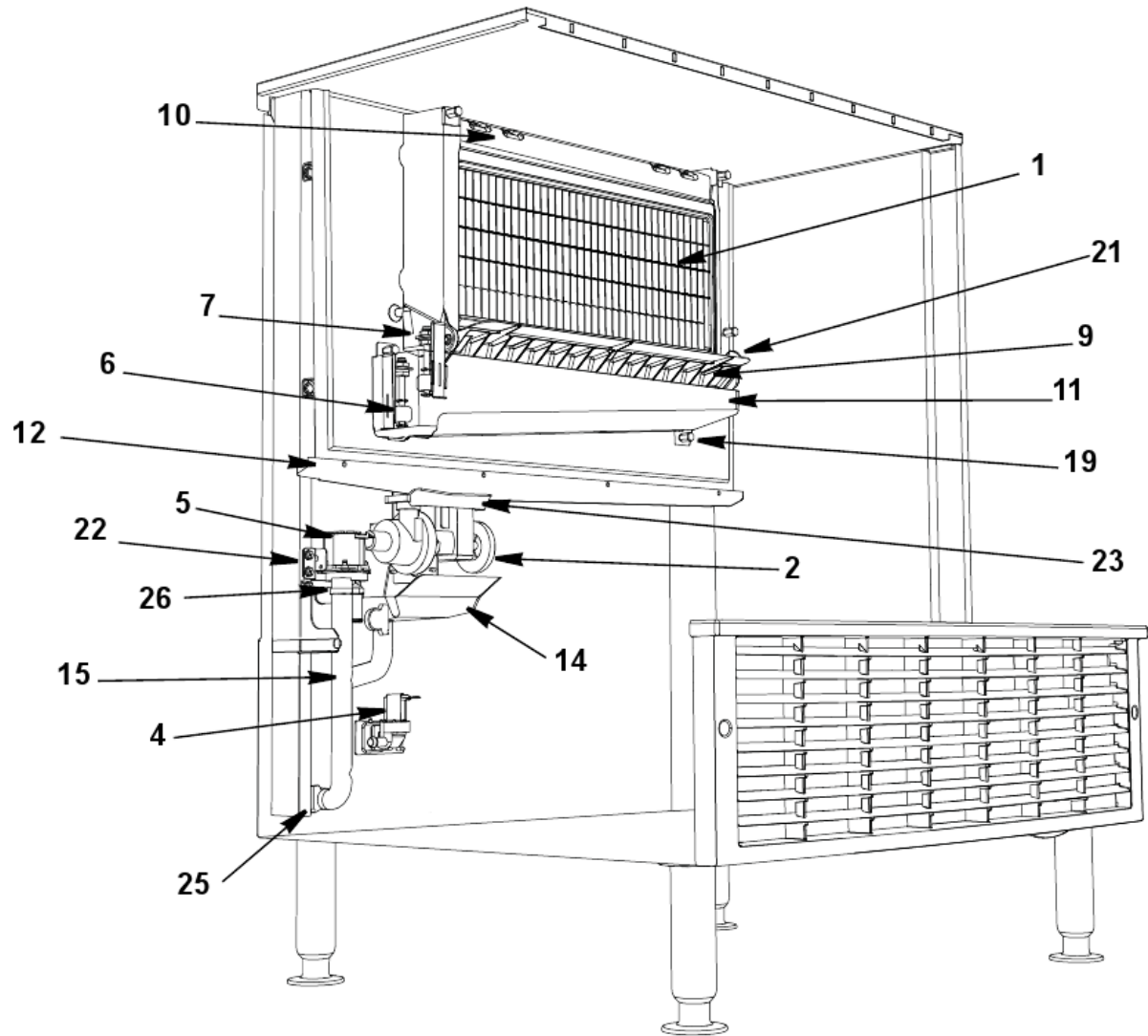
U0140

U0140 - CONTROL BOX COMPONENTS

#	PART #	DESCRIPTION	QTY	Note
1	040002007	Control Board		
2	000012211	3.5 amp Ceramic Fuse		
3		Wiring Harness		
3a	040002052	Wiring Harness - Control Board to Sensors		
3b	040002053	Wiring Harness - Control Board to Touch Pad		
4		Contactator		
4a	2006569	Contactator - 115V/60 Hz/1 Ph		
4b	2006579	Contactator - 230V/50-60 Hz/1 Ph		
5		Start Capacitor		
5a	000002901	Start Capacitor - 115V/60 Hz/1 Ph		
5b	040000674	Start Capacitor		
6		Current Relay		
6a	000002899	Current Relay with Overload - 115V/60 Hz/1 Ph		
6b	000002900	Relay		
6c	8251333	Relay Cover		
7		Wiring Harness		
7a	040004016	Wiring Harness - Air-cooled		
7b	040004015	Wiring Harness - Water-cooled		
8		Power Cord		
8a	2006863	Power Cord - 115V/60 Hz		
8b	2033023	Power Cord - 230V/50 Hz		
8d	2512043	Terminal Block		
9	040002028	Control Box		
10	040002029	Control Box Cover		
11	4302253	Control Board Mounting Supports		
12	5202329	Screw - #10-24 x 0.25" PHIL		
12a	5573209	Star Washer		
13	2500139	Bushing - 1.5"		
14	2501409	Bushing - 0.875"		
15	040002479	Bushing - OSB-22		

U0140

U0140 - EVAPORATOR COMPARTMENT - COMMON COMPONENTS



U0140

U0140 - EVAPORATOR COMPARTMENT - COMMON COMPONENTS

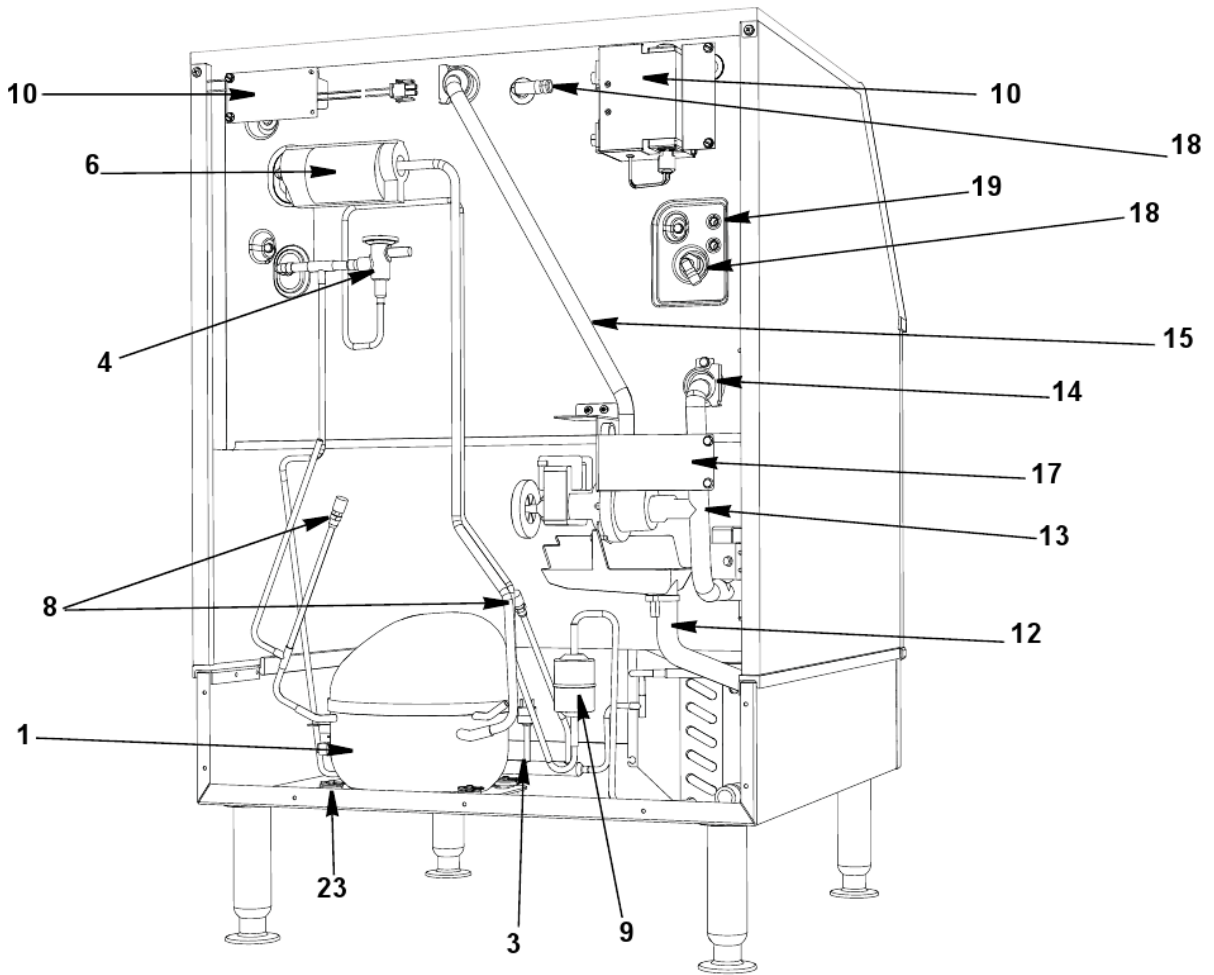
#	PART #	DESCRIPTION	QTY	Note
1		Evaporator Assembly		
1a	000011549	Evaporator - Regular Cube		
1b	000011550	Evaporator - Dice Cube		
1c	000011551	Evaporator - Half Dice Cube		
2		Water Pump		
2a	040003291	Water Pump - 115V/60 Hz		
2b	040003293	Water Pump - 208-230V/60 Hz		
2c	040003292	Water Pump - 230V/50 Hz		
3	040003303	Pump Flow Restrictor		
4		Water Inlet Valve		
4a	040003579	Water Inlet Valve - 115V/60 Hz		
4b	040003580	Water Inlet Valve - 230V/50-60 Hz/1 Ph		
4c	040003385	Mylar Shield		
5		Water Dump Valve		
5a	000001767	Water Dump Valve - 115V/60 Hz		
5b	000001768	Water Dump Valve - 208-230V/50-60 Hz		
6	040002396	Harvest Float Switch		
6a	040001777	Bracket - Float Switch		
7	040001783	Ice Thickness Float Switch		
7a	040003386	Bracket - Ice Thickness Float Switch		
8	040002393	Magnetic Bin Switch		
9	000011556	Ice Damper		
10	040002049	Water Distribution Cover		
11	040002054	Water Trough		
11a	040002014	Fitting - Water Trough		
11b	040002034	O-ring		
12	040002880	Rear Trough		
14	040002475	Drain Sink		
15	040002013	Drain Tube		[1]
16	040002389	Trough Tube		[2]
17	040002390	Water Tube		[3]
18	040002497	Water Inlet Valve Tubing		
19	040001217	Thumbscrew - #8-32 x 0.625"		
20	5202069	Screw - #10-24 x 0.50" HEX		
21	000009053	Evaporator Side Damper Mount		
22	040001995	Bracket - Water Dump Valve		
23	040002931	Bracket - Water Pump		
24	8706133	Female Wing Adapter - 0.50"		
25	5650649	Spray Bar Clamp		
26	5650709	Snap Clamp - 0.799"/0.899" ID		

PART NOTES:

- [1] - connects drain sink, dump valve and bin
- [2] - connects water trough to water pump & dump valve
- [3] - water pump to evaporator

U0140

U0140 - REFRIGERATION COMPARTMENT - COMMON COMPONENTS



U0140

U0140 - REFRIGERATION COMPARTMENT - COMMON COMPONENTS

#	PART #	DESCRIPTION	QTY	Note
1		Compressor		
1a	040002765	Compressor - Danfoss - 115V/60 Hz/1 Ph		
1b	000002899	Current Relay with Overload - 115V/60 Hz/1 Ph		
1c	000002901	Start Capacitor - 115V/60 Hz/1 Ph		
1d	040000434	Compressor - 208-230V/50-60 Hz		
1e	000002900	Relay		
1f	040000674	Start Capacitor		
2		Harvest Valve		
2a	040000689	Hot Gas Valve 115/60/1 Ph		
2b	040000101	Hot Gas Valve Coil Only 115/60/1 Ph		
2c	040000690	Hot Gas Valve 230V/50-60 Hz/1 Ph		
2d	040000103	Hot Gas Valve Coil Only 230V/50-60 Hz/1 Ph		
3	2001243	HPCO		
4	000011558	Expansion Valve		
4a	3000833	Strap - Expansion Valve Bulb - 0.375"		
5	4000363	Valve Insulation Boot - Body		[1]
6	4007203	Valve Insulation Boot - Bulb		[2]
7	8251063	Manifold Strainer		
8	8373253	Access Valve		
9	8930259	Drier		
10	K00440	Luminice - NEO		
11	040002442	Bracket - Valve		
12	040002013	Drain Tube		[3]
13	040002389	Trough Tube		[4]
14	040002014	Fitting - Water Trough		
14a	040002034	O-ring		
15	040002390	Water Tube		[5]
16	040002497	Water Inlet Valve Tubing		
17	040002931	Bracket - Water Pump		
18		Water Adapters		
18a	040002019	Water Adapter - Male		
18b	040002021	Water Adapter - Female		
19	040002382	Wire Bushing		
20	5650539	Snap Clamp - 1.123 x 1.296		
21	5650529	Clamp - Expansion Valve Bulb		
22	5202069	Screw - #10-24 x 0.50" HEX		
23		Compressor Mounting		
23a	8503069	Mounting - Rubber Grommet		
23b	5573099	Mounting - Flatwasher		
23c	5648269	Compressor Mounting Retainer		
23d	8503949	Mounting - Sleeve		
23e	3712109	Compressor Clevis Pin - 0.25" x 1.0"		
23f	5648289	Compressor Hairpin Clip		

PART NOTES:

U0140

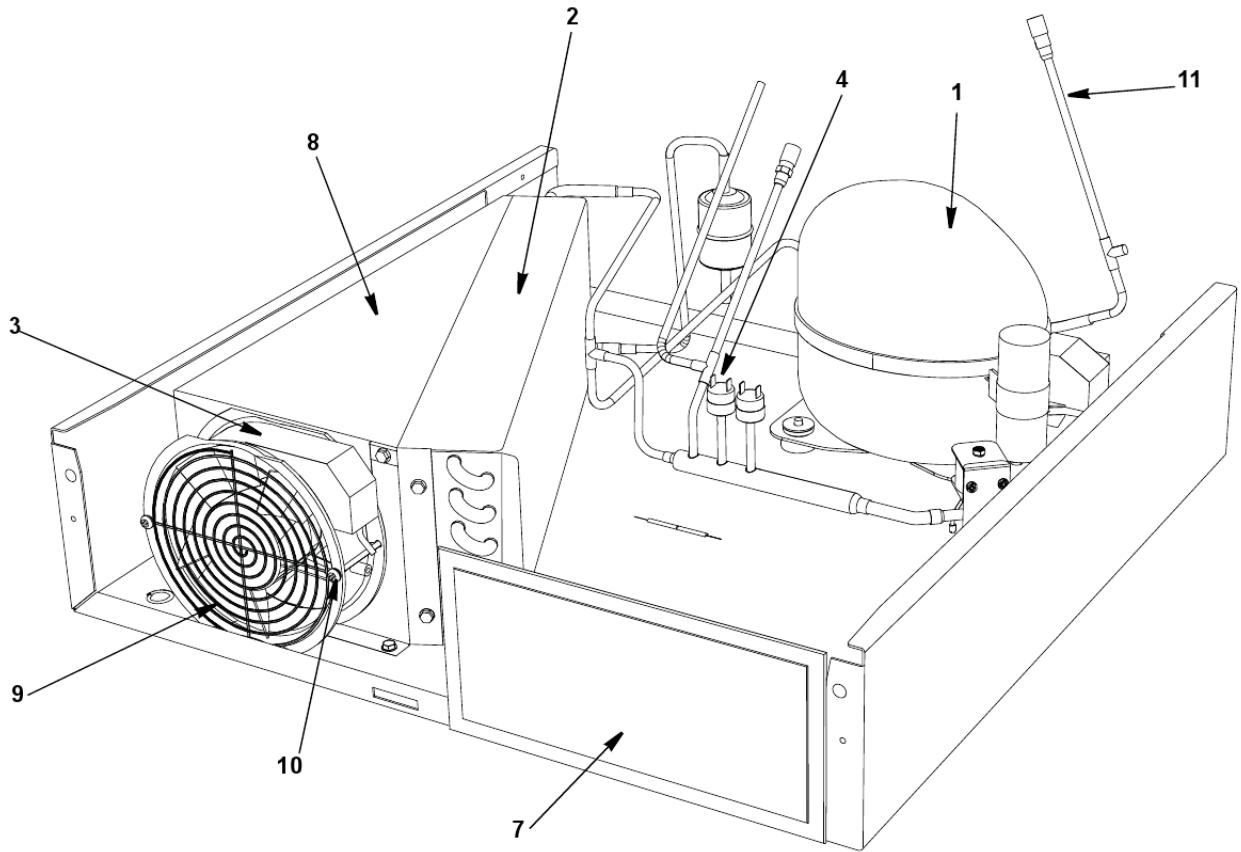
U0140 - REFRIGERATION COMPARTMENT - COMMON COMPONENTS

PART NOTES:

- [1] - Not Shown
\\400036_05.jpg" width=2436 height=1463>
- [2] - \pages from 400720_08.jpg" width=923 height=583>
- [3] - connects drain sink, dump valve and bin
- [4] - connects water trough to water pump & dump valve
- [5] - water pump to evaporator

U0140

U0140 - REFRIGERATION COMPARTMENT - AIR-COOLED COMPONENTS



U0140

U0140 - REFRIGERATION COMPARTMENT - AIR-COOLED COMPONENTS

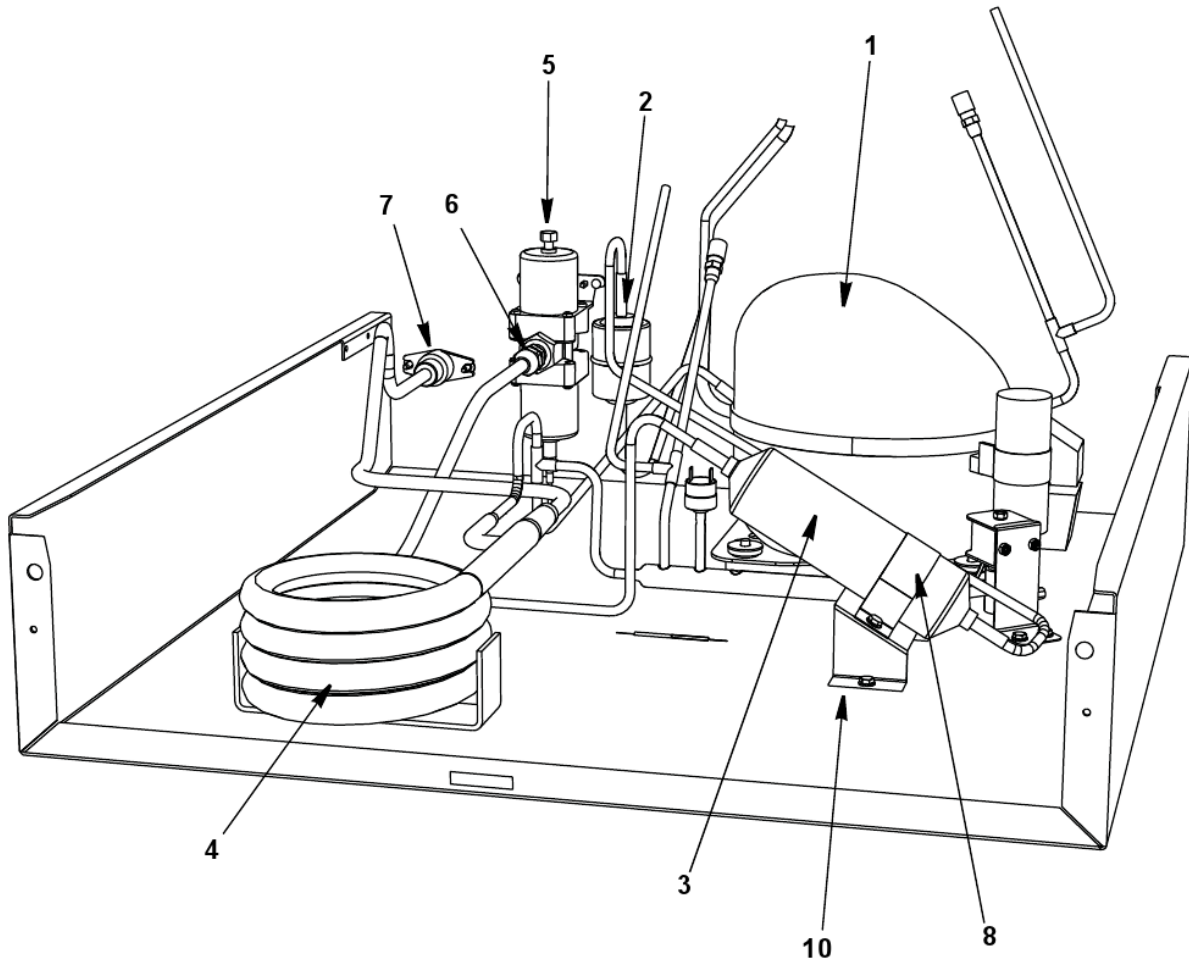
#	PART #	DESCRIPTION	QTY	Note
1		Compressor		[1]
2	040002395	Air Condenser		
3		Fan Motor with Blade		
3a	040001943	Fan Motor - 115V		
3b	040001944	Fan Motor - 230V		
4	2001263	Fan Cycling Control - 200-250 psig		[2]
5	2001243	HPCO		
6	8930259	Drier		
7	040002435	Air Filter		
8	040002031	Fan Shroud		
9	040002384	Fan Guard		
10	040002451	Mounting - Bolts		
11	8373253	Access Valve		
12	040002910	Bracket - Air Filter		

PART NOTES:

- [1] - Refer to COMMON PARTS Page
- [2] - \pages from 200126_09.jpg" width=150 height=306>

U0140

U0140 - REFRIGERATION COMPARTMENT - WATER-COOLED COMPONENTS



U0140

U0140 - REFRIGERATION COMPARTMENT - WATER-COOLED COMPONENTS

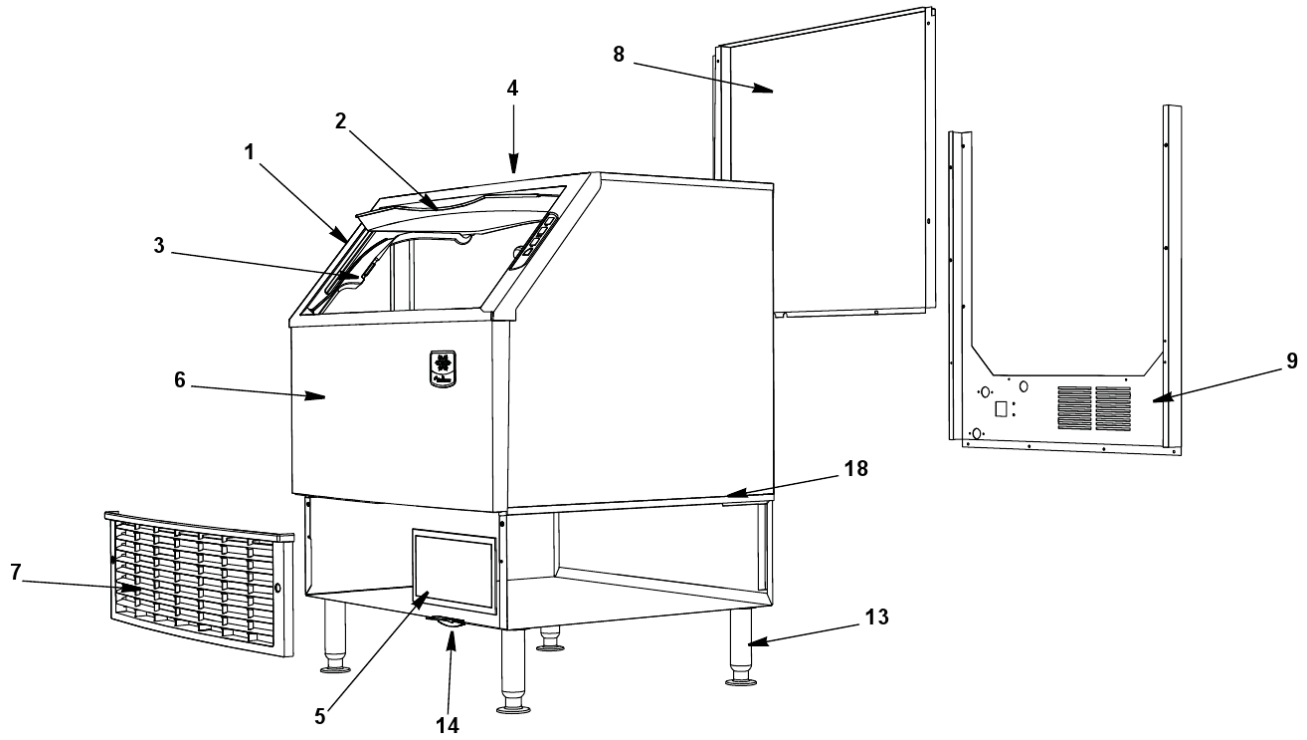
#	PART #	DESCRIPTION	QTY	Note
1		Compressor		[1]
2	8930259	Drier		
3	000008892	Receiver		
4	000000045	Water-cooled Condenser		
5	040002912	Water Regulating Valve		
6	5002193	Fitting - Water Regulating Valve		
7	8706103	Adapter - 0.5" NPT x 0.375" ODF		
8	040002045	Strap - Receiver		
9	040002044	Bracket - Receiver		
10	8332023	Coupling - 0.375" MF x 0.375" NPT Brass		

PART NOTES:

[1] - Refer to COMMON PARTS Page

U0140

U0140 - PANELS



U0140

U0140 - PANELS

#	PART #	DESCRIPTION	QTY	Note
1	040003501	Door Frame with Touch Pad		
2	040004168	Door		
3	040004329	Door Track Door Track Assembly		
4	040002926	Top Cover		
5	040002435	Air Filter		
6	040004104	Cabinet Assembly		
7	040004274	Front Lower Covered Panel (grill)		[1]
8	040001994	Back Panel - Upper		
9		Back Panel - Lower		
9a	040002461	Back Panel - Lower - Air-cooled		
9b	040001921	Back Panel - Lower - Water-cooled		
10	5202069	Screw - #10-24 x 0.50" HEX		
11	040002930	Ice Scoop - UnderCounter		
12	040002033	Ice Scoop Holder- UnderCounter		
13		Legs - Refer to Sales Price List		
14	040002910	Bracket - Air Filter		
15	040002462	Bracket - Top Panel		
16		Side Panel Brackets		
16a	040003312	Bracket - Side Panel - Right		
16b	040003314	Bracket - Side Panel - Left		
17		Door Track Brackets		
17a	040002046	Bracket - Door Track - Right		
17b	040002047	Bracket - Door Track - Left		
17c	5202099	Screw - #10-24 x 0.50" PHIL		
18		Cabinet Track Brackets		
18a	040001773	Bracket - Cabinet Track - Right		
18b	040001774	Bracket - Cabinet Track - Left		
19	040002020	Bulkhead Gasket		[2]
20	040003585	Cartoning		

PART NOTES:

- [1] - Includes air filter & catch
- [2] - seals bulkhead to bin