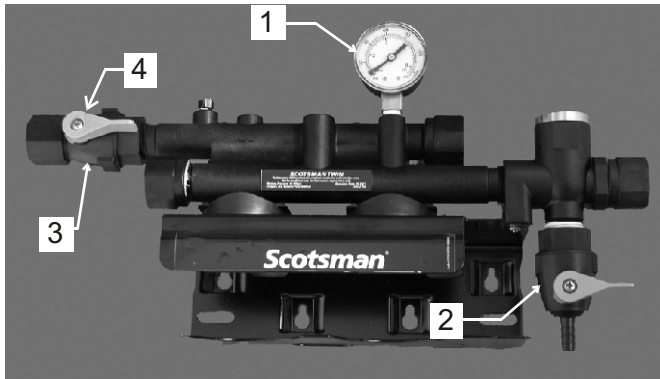


Bins, Condensers, and Accessories Service Parts

Water Filters



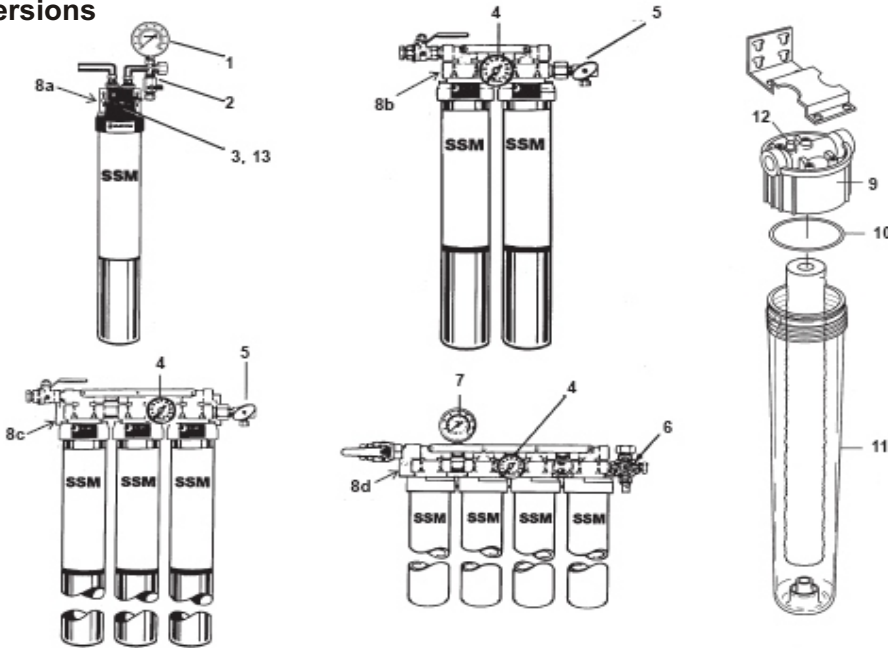
SSM1, SSM2, or SSM3 Water Filters Parts Current Version

Item	SSM1	SSM2, 3	Description
1	02-3790-15	02-3790-15	Gauge
2	02-3790-16	02-3790-19	Flushing Valve
3	-	02-3790-20	Inlet Valve
4	02-3790-21	-	Valve handle

Pre-Filter Parts - Current Version

9n	02-3790-22	Head assembly
10n	02-3790-23	O-ring
11n	02-3790-24	20" bowl
	02-3790-25	10" bowl

Prior Versions



Current Pre Filter



Prior Version Parts

Item Number	Part Number	Description	Item Number	Part Number	Description
1	02-3790-15	Outlet gauge	8c	02-3790-03	Triple bracket
2	02-3790-16	Activation valve, single	8d	02-3790-04	Quad bracket
3	02-3790-12	Valve stem		02-3790-05	Screw for bracket
4	02-3790-14	Outlet gauge	9	02-2790-06	Prefilter head
5	02-3790-17	Activation valve	10	02-3790-07	Ring seal
6	02-3790-18	Activation valve, quad	11	02-3790-08	20" bowl
7	02-3790-13	Pressure gauge		02-3790-09	10" bowl
8a	02-3790-01	Single bracket	12	02-3790-10	Pressure relief kit
8b	02-3790-02	Dual bracket	13	02-3790-11	Valve handle