

# SCN60 Service Parts

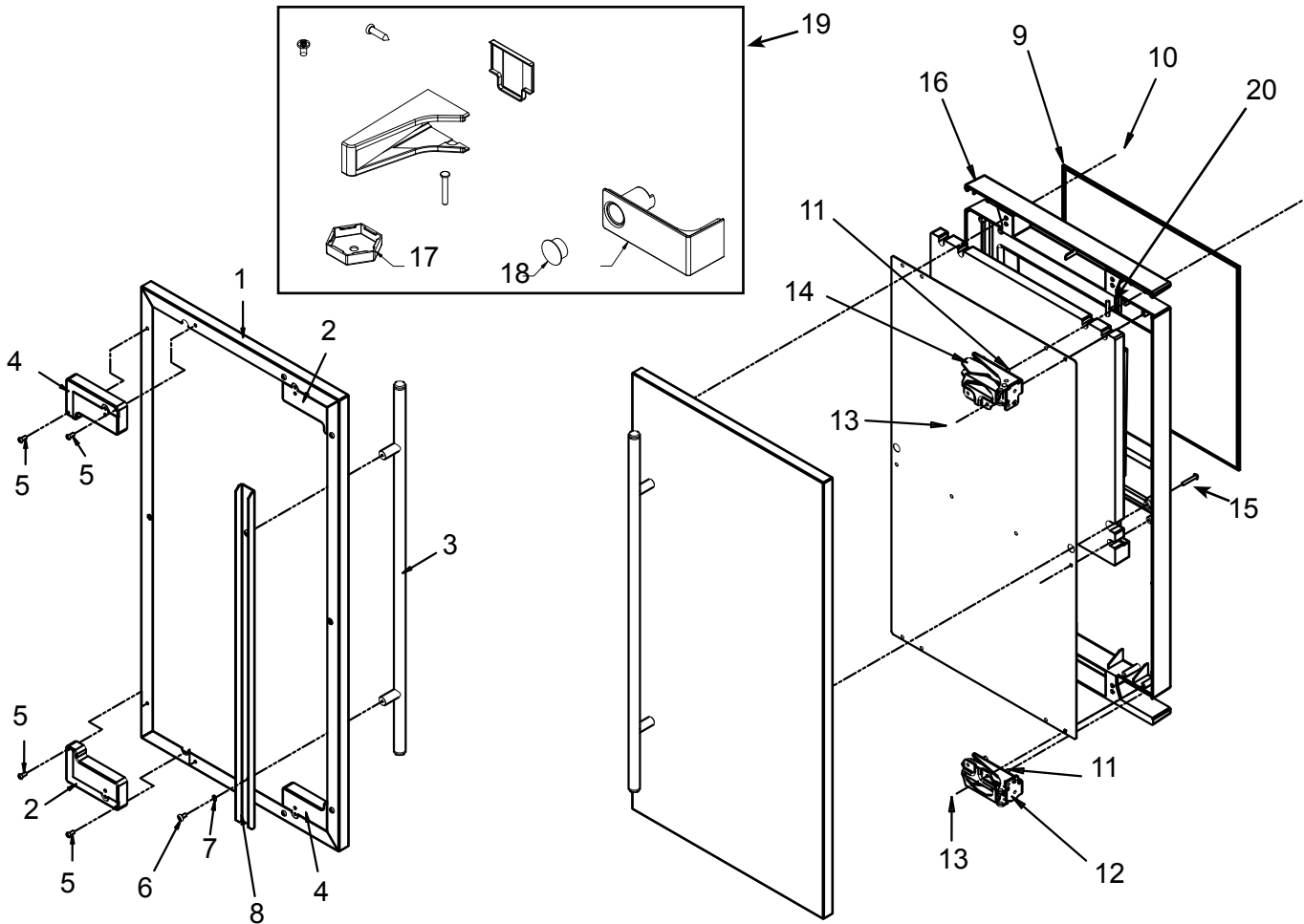
This is the illustrated parts list for the SCN60.  
There are two models, one is a gravity drain and the other includes a drain pump. Some units could have had drain pumps field installed.

## Contents

Door Components .....	2
Cabinet .....	3
Storage Bin and Ice Chute .....	4
Reservoir, Water Sensor and Misc. ....	5
Refrigeration .....	6
Under Bin Parts .....	7
Ice Making Section .....	8
Control System .....	9
Wiring Diagram .....	10
Schematic Diagram .....	11

# SCN60 Service Parts

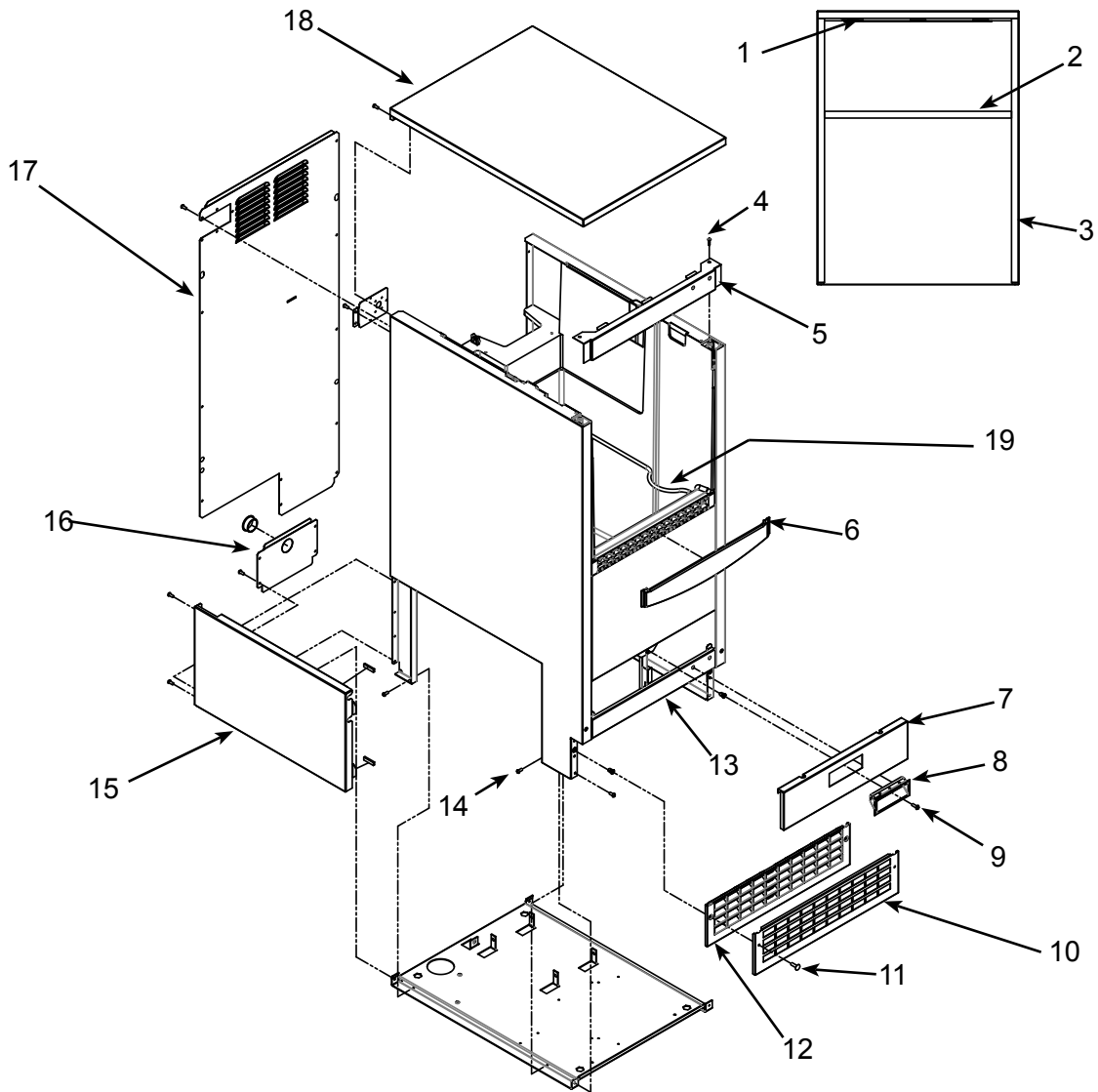
## Door Components



Item Number	Part Number	Description	Part Number	Description
1	Door panel kit. Kit includes items 1 thru 8. KDFS SS panel, SS handle		16	A39513-001 Door assembly, does not include door panel or hinges
2	02-4433-01	Corner block, RH	17	02-4415-20 Leg cap, pack of 4
3	02-4430-01	Handle, SS	18	02-1875-07 Hole plug
4	02-4433-02	Corner block, LH	19	02-4474-01 Hinge package
5	03-1531-01	Screw	20	11-0580-01 Magnet, door switch
6	03-3811-01	Screw		
7	03-1410-07	Lockwasher		
8	A39390-001	Support bracket		
9	13-0949-03	Door gasket		
10	03-1404-40	Screw		
11	03-3818-01	Screw - hinge to cabinet		
12	02-3866-04	Hinge - top left/bottom right		
13	03-1404-24	Screw - hinge to door		
14	02-3866-03	Hinge		
15	03-1403-67	Screw		

# SCN60 Service Parts

## Cabinet

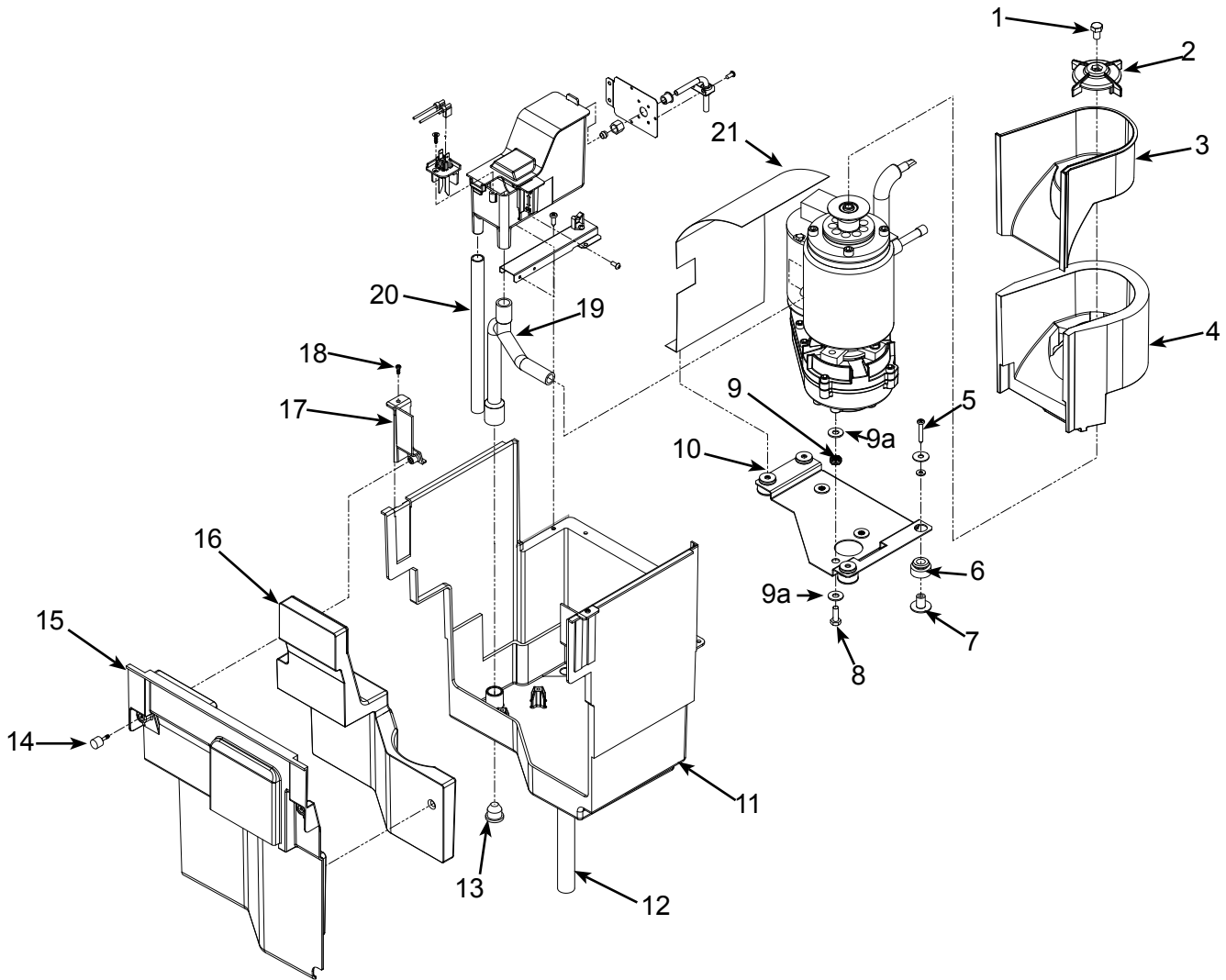


Item Number	Part Number	Description
1	13-0943-03	Gasket, top panel
2	13-0943-04	Gasket, top panel
3	13-0943-05	Gasket, top panel
4	03-3836-03	Screw
5	A39364-003	Top hinge brckt, hinge right
	A39364-007	Top hinge brckt, hinge L or R
6	02-4392-01	Inlay
7	A39381-003	Front service panel
8	02-4441-01	Handle
9	03-1403-86	Screw
10	A39469-001	Kick plate cover
11	03-3813-02	Screw
12	02-4390-01	Kick plate
13	A39385-003	Bttm hinge brckt, hinge L or R
	A39385-006	Bottom hinge brckt, hinge left
14	03-1531-01	Screw
15	A39615-001	Side service panel
16	A39683-001	Drain panel
17	A39682-001	Back panel
18	A39362-003	Top panel only
18a	02-4426-01	Insulation, top panel
19	A34816-001	Scoop holder
Not Shown:		
	02-4391-03	Scoop

Note: Hinge mounting changed 1/12 to allow left or right mounting.

# SCN60 Service Parts

## Storage Bin and Ice Chute



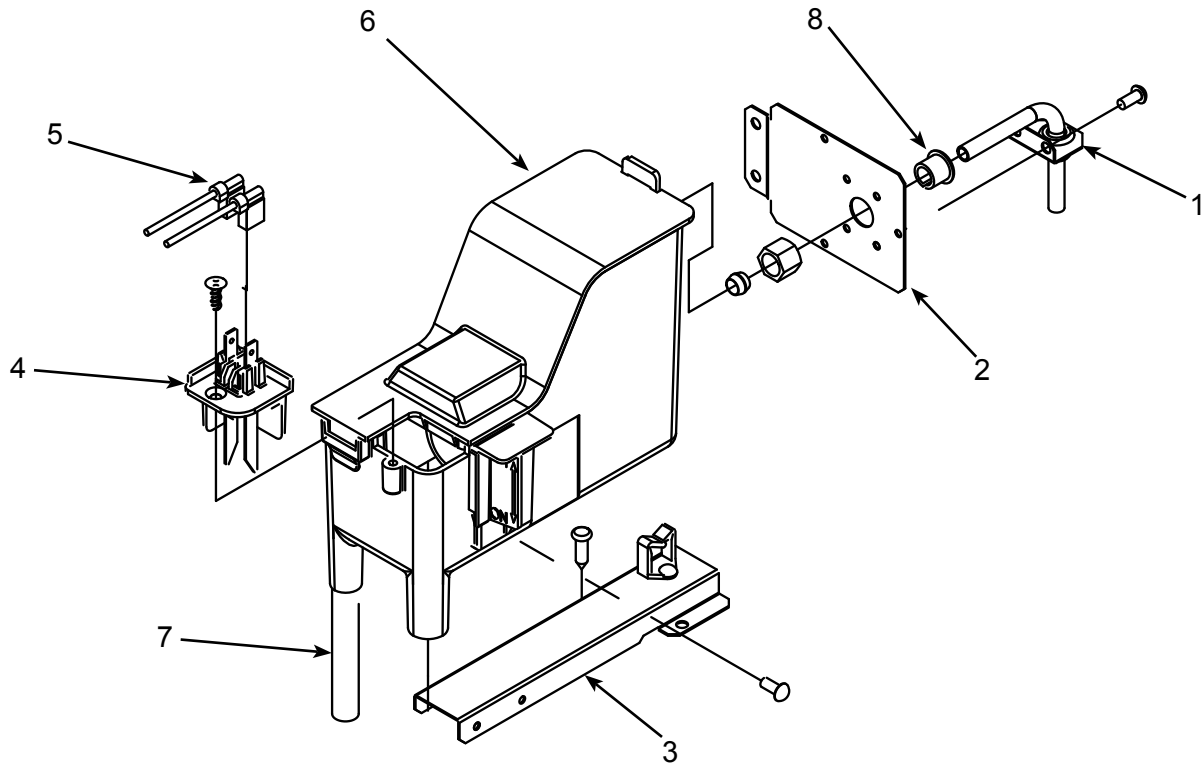
Item Number	Part Number	Description
1	03-1405-16	Screw, 5/16-18
2	02-4628-01	Ice sweep
3*	02-4728-01	Chute
4*	02-4729-41	Chute cover
5	03-1404-41	Screw
6	03-3935-01	Grommet
7	03-3936-01	Flanged bushing
8	03-1405-07	Cap screw
9	03-3937-01	Vibration grommet
9a	03-1407-06	Washer
10	A39681-001	Mounting plate only
11	02-4582-01	Shelf, gear and evap asy
12	A39792-001	Drain
13	13-0840-01	Drain plug
14	03-3892-01	Thumb screw
15*	02-4730-01	Compartment Cover
16*	02-4602-01	Insulation for item 15

17	02-4375-02	Support bracket, left
	02-4375-01	Support bracket, right
18	03-3836-03	Screw
19	02-4572-01	Tube, reservoir to evap
20	13-0674-09	Tubing, 9 inches needed
21	02-4845-01	Shield

\* Items 3, 4, 15 and 16 changed together on 9/25/2013 with serial number 13091320014771. Items 3, 4, 15 and 16 cannot be mixed with prior production. Order kit A40144-021 to get the set. Items 20 and 21 added in 2014.

# SCN60 Service Parts

## Reservoir, Water Sensor and Misc.



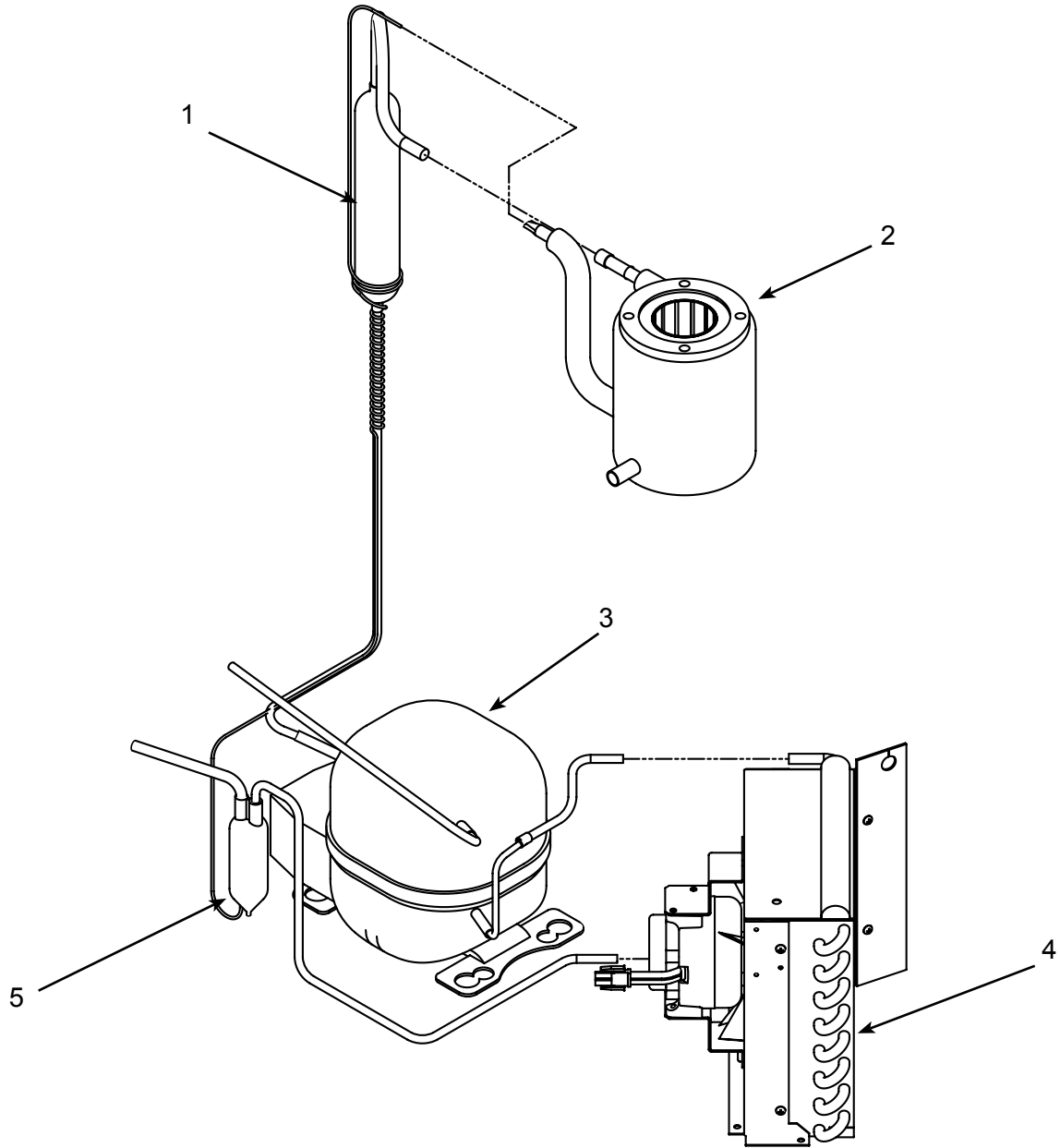
Item Number	Part Number	Description
1	A39826-001	Brace
2	A39693-001	Bracket
3	A39775-001	Reservoir mounting bracket
4	A39790-001	Water level sensor
5	12-3039-01	Water sensor harness
6	A39789-001	Reservoir w/valve and cover
6a	02-2217-02	Float and valve only
7	13-0674-09	Overflow hose - added 2014
8	12-1213-04	Bushing

### Misc:

1m	19-0664-01	Pre-Mixed Squirt Bottle of Clear 1 scale remover
2m	19-0664-12	12 pack of item 1m
3m	19-0653-12	Case of undiluted Clear 1 scale remover

# SCN60 Service Parts

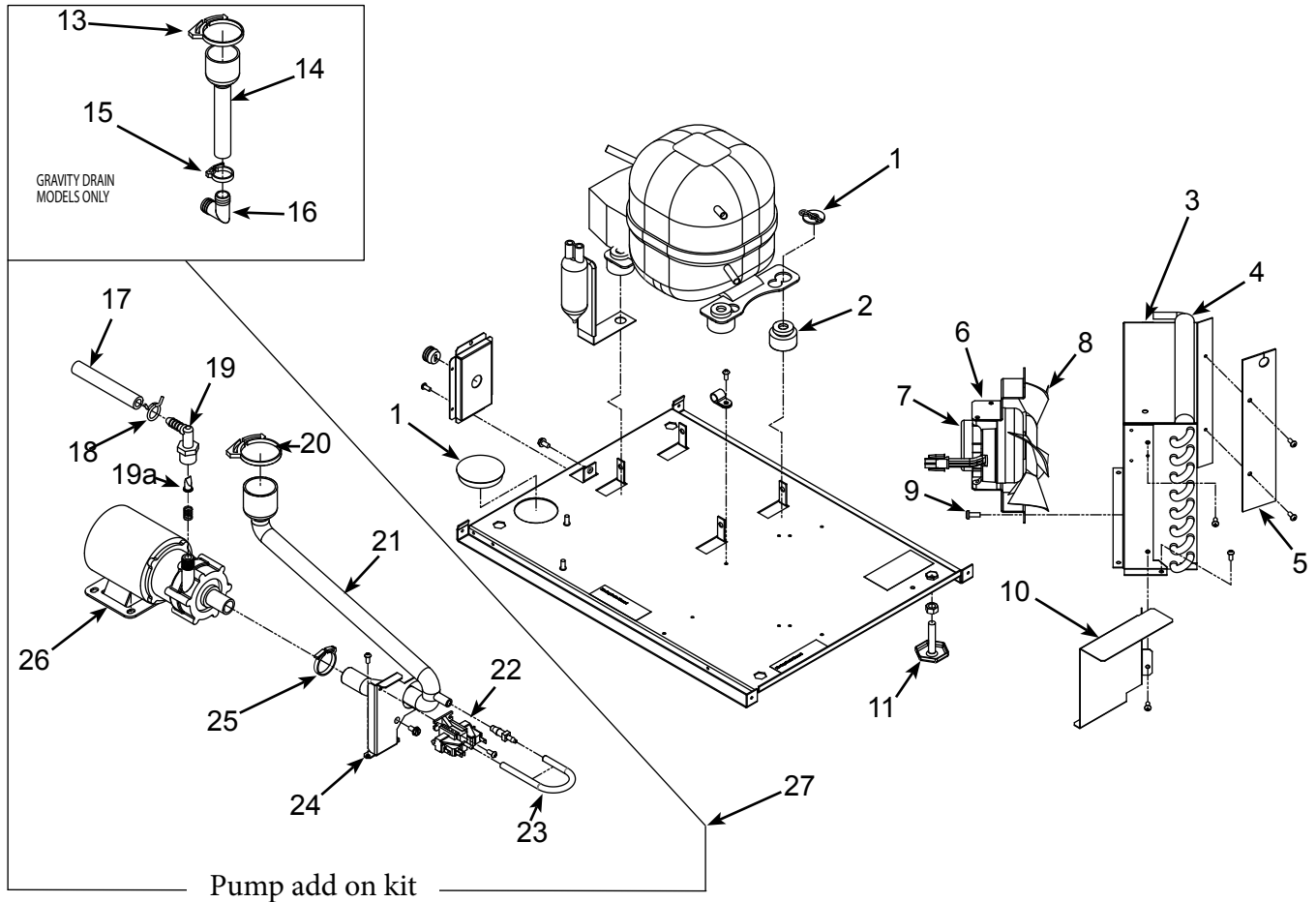
## Refrigeration



Item Number	Part Number	Description
1	A39396-001	Suction line w/cap tube
2	02-4558-01	Evaporator
3	18-8776-21	Compressor
		Compressor includes overload, relay and drier
3a	18-8776-52	Overload
3b	18-8776-51	Relay
4	18-8940-01	Condenser
5	02-3490-01	Dryer

# SCN60 Service Parts

## Under Bin Parts

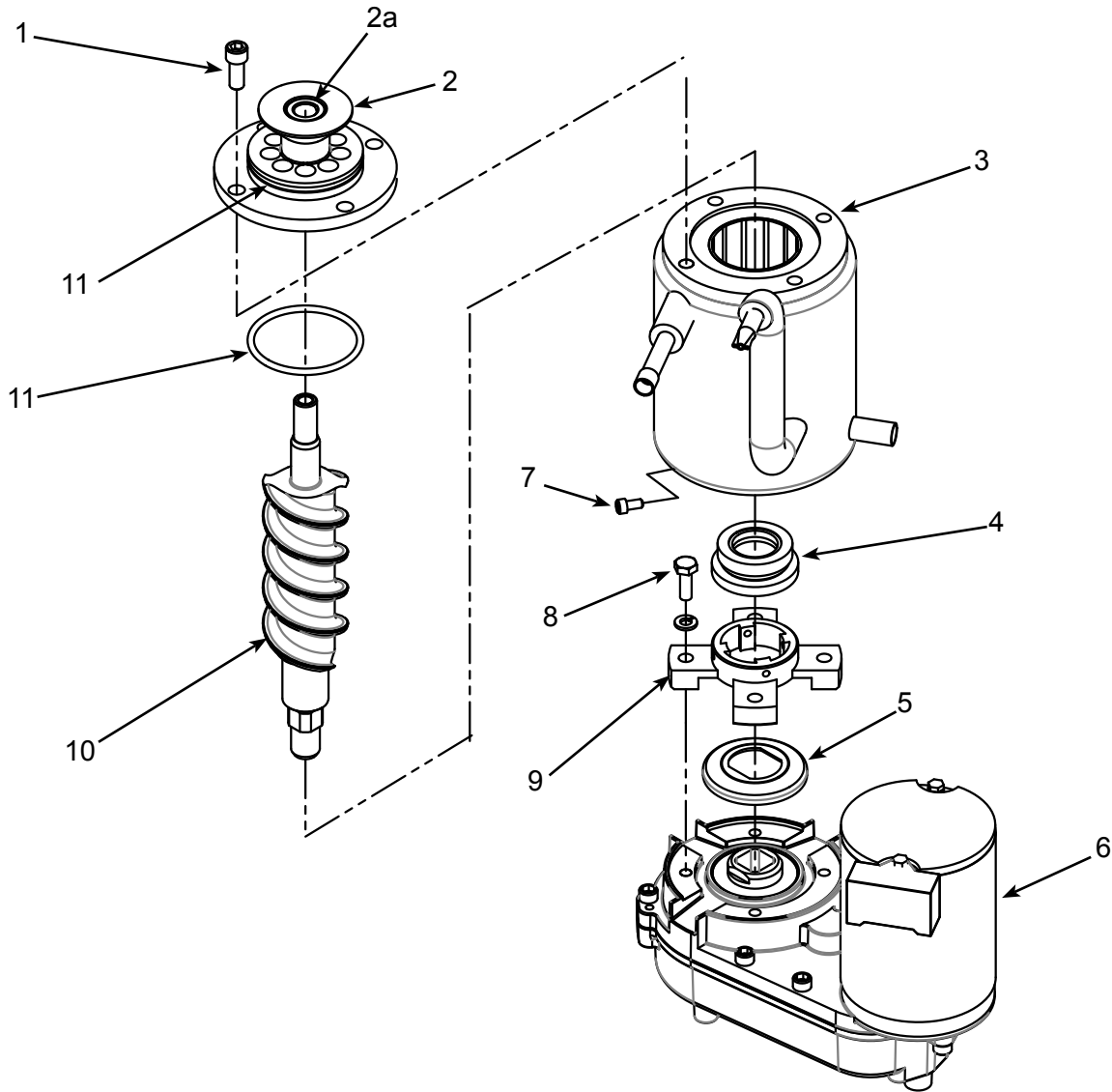


Item Number	Part Number	Description
1	03-3821-01	Clip
1a	03-1407-08	Washer
2	18-4700-28	Grommet
3	A39460-001	Shroud
4	13-0909-01	Gasket - order 1 & cut to fit
5	02-4450-01	Air baffle
6	A39556-001	Fan motor bracket
7	12-3024-01	Fan motor
8	02-4197-01	Fan blade
9	03-3818-01	Screw
10	A39825-001	Pump model rain shield
11	03-1608-01	Leg leveler
12	02-1875-18	Hole plug
13	02-2814-13	Hose clamp
14	02-4412-01	Drain hose
15	02-2814-08	Hose clamp
16	16-0671-01	Elbow
17	A37334-001	Discharge hose
18	02-0534-02	Hose clamp
19	02-3522-01	Elbow
19a	02-3374-01	Check valve
19b	03-3904-01	Spring
20	02-2814-13	Hose clamp
21	02-4413-01	Drain tube
22	11-0504-01	Pressure switch
23	05-0591-01	Switch hose
24	A39370-001	Switch bracket
25	02-2814-13	Hose clamp
26	12-2503-21	Pump & motor only
27	A39462-021	Pump add on kit - Used only to convert gravity models to pump models. All parts in this kit are available individually.

November 2015

# SCN60 Service Parts

## Ice Making Section



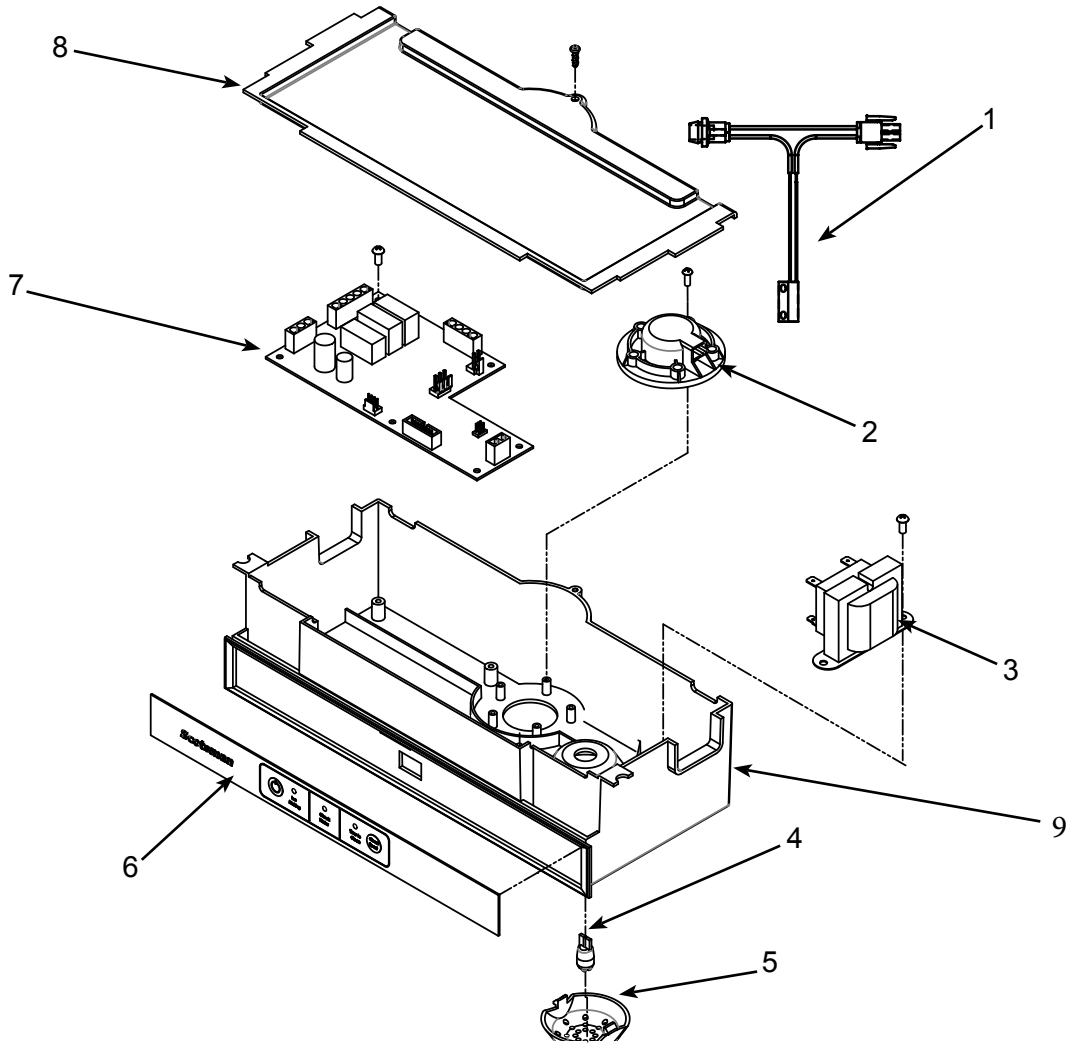
Item Number	Part Number	Description
1	03-1544-08	Cap screw
2	A39531-001	Breaker w/bearing
2a	02-4619-01	Bearing only
3	02-4558-01	Evaporator
4	02-4599-21	Water seal
5	02-4662-01	Water shed
6	02-4580-23	Gear reducer and motor also includes #5
7	03-1544-04	Cap screw
8	03-1405-54	Cap screw
9	02-4625-01	Adapter
10	02-4591-21	Auger
11	13-0617-58	O-ring

\* Must connect wires correctly. See label on motor.



# SCN60 Service Parts

## Control System



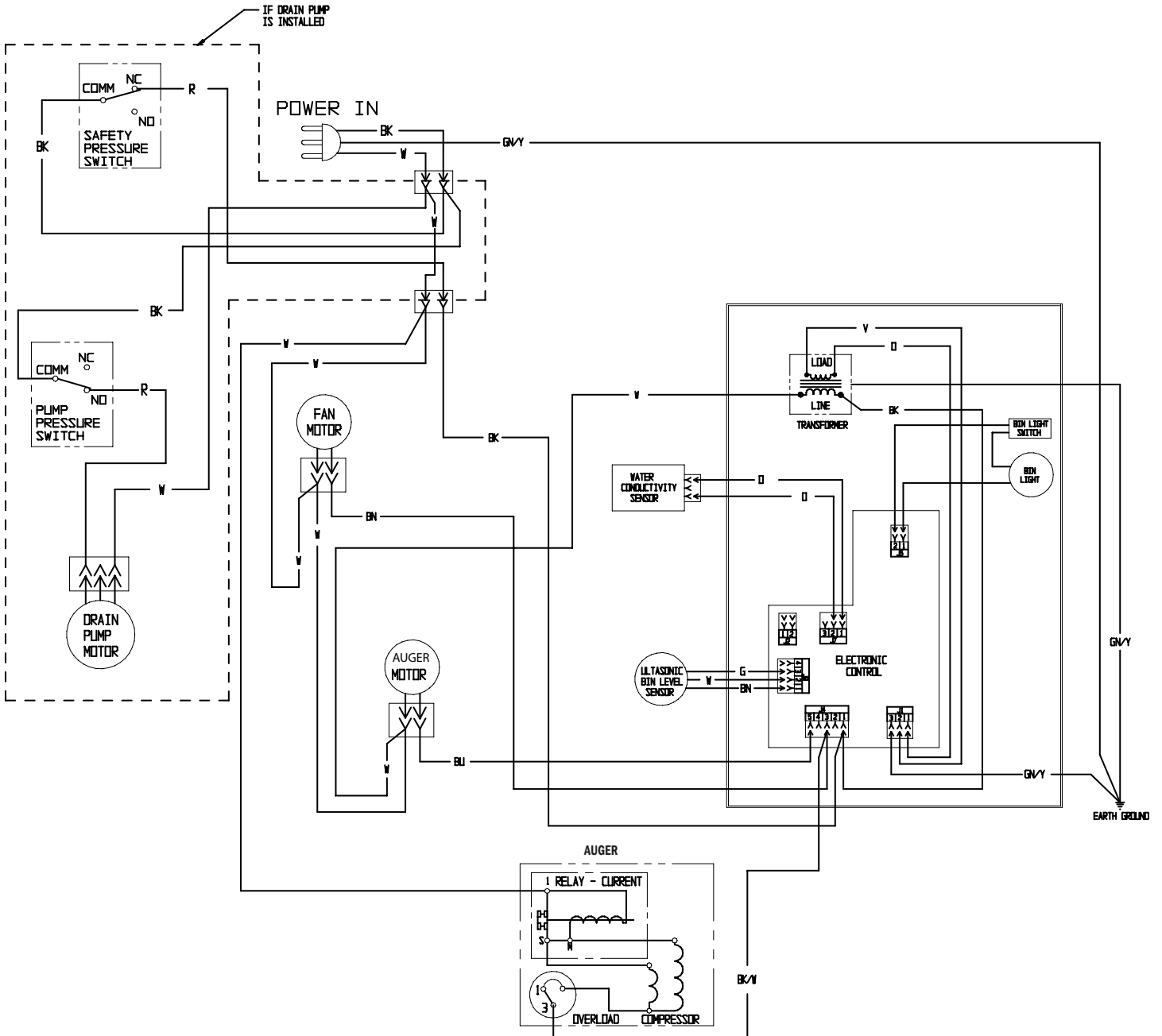
Item Number	Part Number	Description
1	12-3076-01	Light switch, bulb socket and harness
2	11-0579-01	Ice level sensor
3	12-2924-01	Transformer
4	12-3077-01	Bulb
5	02-4380-01	Light cover
6	11-0574-01	Control panel
7	11-0589-21	Controller
8	02-4386-01	Cover
9	02-4382-03	Box only

Not Shown

NS1 12-1638-21 Power cord

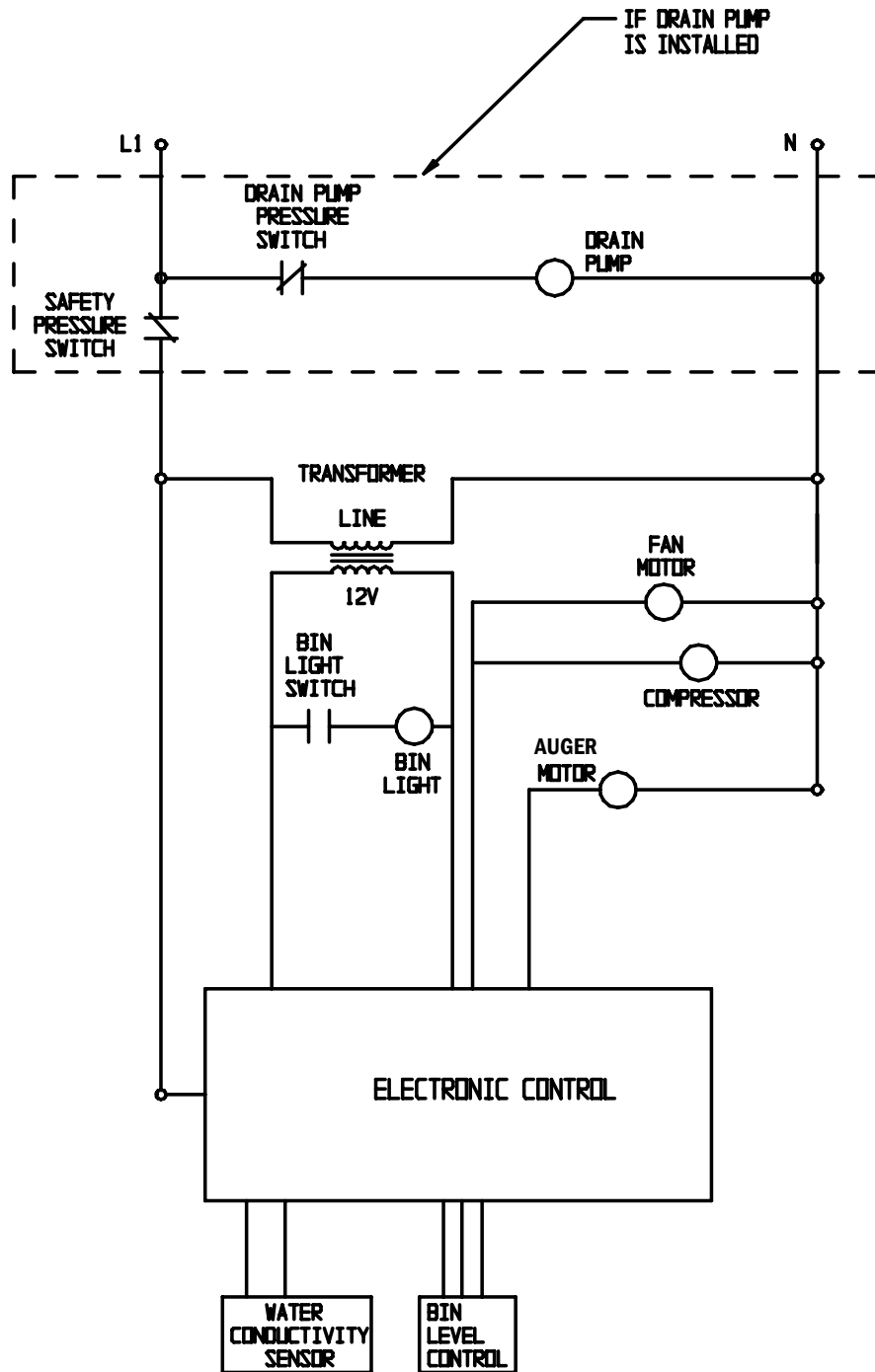
# SCN60 Service Parts

## Wiring Diagram



# SCN60 Service Parts

## Schematic Diagram



SWITCHES ON THIS UNIT  
SHOWN IN FREEZE CYCLE  
WITH DRAIN PUMP IN OPERATION  
AND BIN DOOR CLOSED