



Manitowoc
Foodservice
Parts Manual

For more Parts Information:

<https://manitowocfsg.sysonline.com/Default.aspx>

TABLE OF CONTENTS

Manitowoc Foodservice [Updated: Sep. 30, 2013]

Manitowoc - Ice & Related

Parts Catalog

Ice Machine

S Series

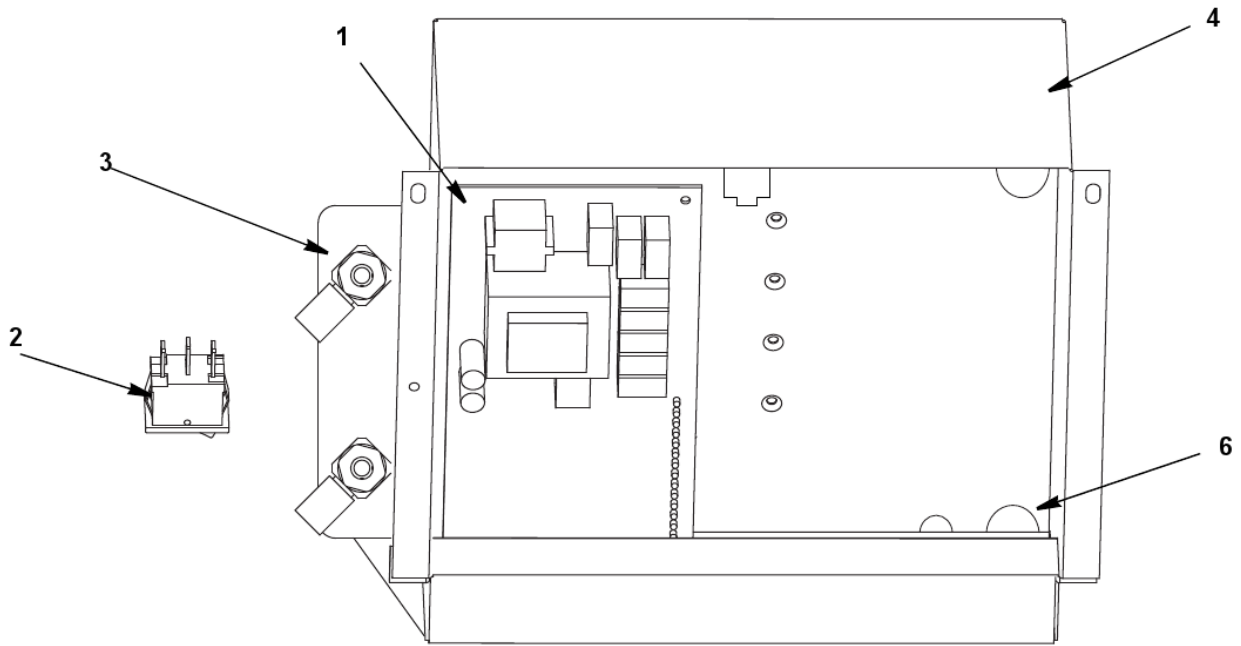
S Model - QuietCube

S3070C, CVD3085

S3070C Head Section - Control Box Components	1
S3070C Evaporator Compartment - Common Components	3
S3070C Refrigeration Compartment - Common Components	6
S3070C Head Section - Panels	9
CVD3085 Condensing Unit - Control Box Components	11
CVD3085 Condensing Unit - Refrigeration Compartment	13
CVD3085 Condensing Unit - Panels	15

S3070C, CVD3085

S3070C HEAD SECTION - CONTROL BOX COMPONENTS



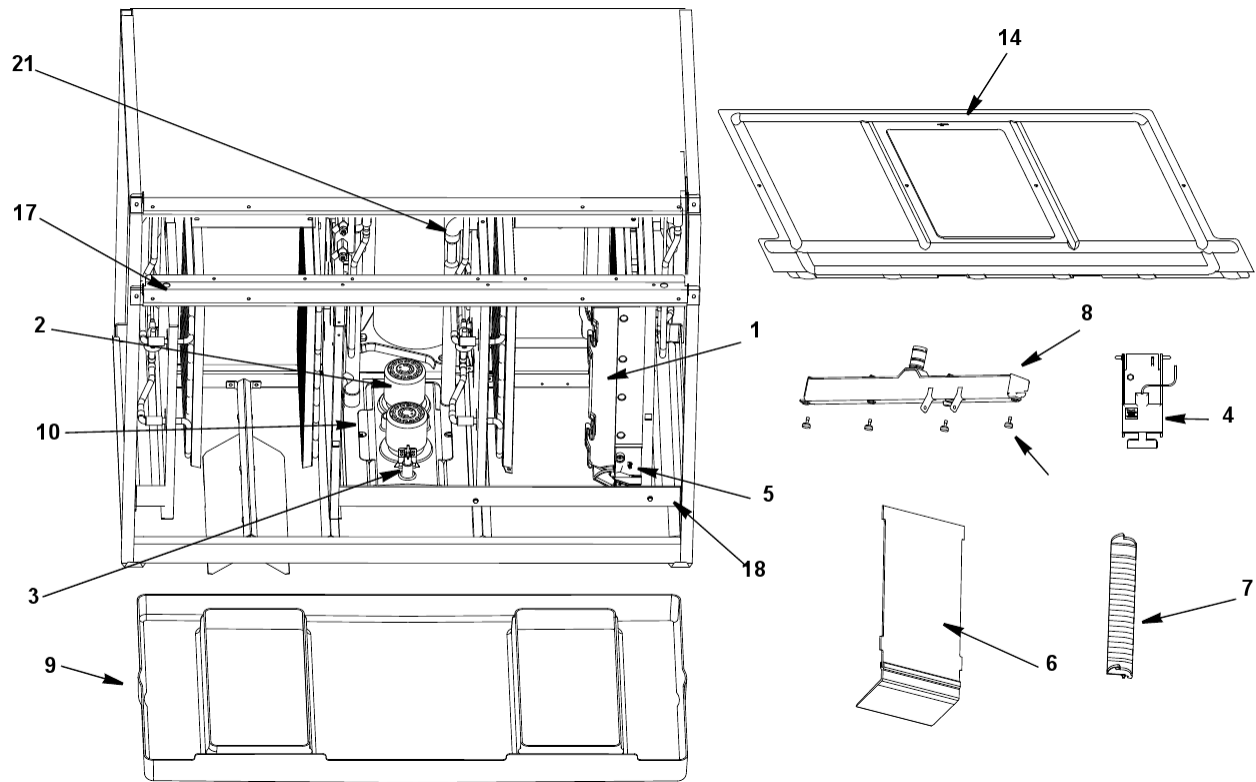
S3070C, CVD3085

S3070C HEAD SECTION - CONTROL BOX COMPONENTS

#	PART #	DESCRIPTION	QTY	Note
1	000003284	Control Board		
1a	000008240	7 Amp Fuse - Mounted on Control Board		
2	2007939	Toggle Switch		
2a	000002858	Toggle Switch Wiring Harness		
2b	4011639	Toggle Switch Box		
3	8373253	Access Valve		
3a	000008312	Mounting Bracket - Valve		
4	000003088	Control Box		
4a	000003089	Control Box Cover		
4b	6067249	Control Box Bracket		
5	4302253	Control Board Mounting Supports		
6	2502193	Bushing		
7	5202169	Screw - #10-24 x 0.50" Ground		
7a	5573209	Star Washer		
8	5202069	Screw - #10-24 x 0.50" HEX		
9		Wiring Harnesses		
9a	000002860	Wiring Harness - Control Box		
9b		Wiring Harness - Harvest Air Assist Pump		
9c	000002859	Wiring Harness - Curtain Switch		
9d	000003960	Wiring Harness - Bulkhead CVD		
9e	000003260	Wiring Harness - Low Pressure Protection		
9f	000001369	Wiring Harness - Compressor - 208-230V/60 Hz/3 Ph & 415V/50 Hz/3 Ph		

S3070C, CVD3085

S3070C EVAPORATOR COMPARTMENT - COMMON COMPONENTS



S3070C, CVD3085

S3070C EVAPORATOR COMPARTMENT - COMMON COMPONENTS

#	PART #	DESCRIPTION	QTY	Note
1		Evaporator Assembly		
1a	000002783	Evaporator - Dice Cube		
1b	000002784	Evaporator - Half Dice Cube		
2		Water Pump		
2a	000001153	Water Pump - 115V/60 Hz		
2b	000000259	Water Pump - 230V/50 Hz		[1]
3	2006549	Water Level Probe		
3a	2006559	Water Level Probe Holder		
3b	000003355	Water Level Probe Bracket		
3c	2007989	Wire - Control Box to Probe		
3d	5202069	Screw - #10-24 x 0.50" HEX		[2]
4	2008029	Ice Thickness Control Probe		
4a	5650909	Clip		[3]
5	000001756	Magnetic Bin Switch		
5a	000001421	Bin Switch Covers		
6	000009175	Splash Shields		
7	000002056	Ice Damper Assembly		
8	7602193	Water Distribution Tube - 30" Models		
8a	000001118	Molded Vinyl Tube		[4]
8b	000001117	Molded Vinyl Tube		[5]
8c	000001986	Barbed Fitting		
8d	5650609	Snap Clamp - 1.0" ID		[6]
8e	5650539	Snap Clamp - 1.123 x 1.296		[7]
8f	4014693	Fitting		[8]
8g	000001923	Fitting Bracket		
8h	5004649	O-Rings		[9]
9	000002956	Water Trough		
10	000002955	Water Pump and Water Level Probe Mount		
11	5004799	Thumbscrew SS - #8-32 x 0.375"		[10]
11a	5004629	O-Ring - 0.125" ID		
12	5004619	Screw - #12-16 x 0.687"		
13	000003107	Evaporator Top Covers		
14	000002993	Evaporator Front Cover		
15	000002176	Evaporator Top Filler Covers		
16	000001416	Evaporator Bottom Covers		
17	000003026	Evaporator Top Support		
18	000003025	Evaporator Bottom Support		
19	000004062	Evaporator Top Bracket		
20	5012319	Screw - #12-16 x 0.75"		
21		Molded Vinyl Tubing		
21a	000003112	Water Pump to Distribution Tube		[11]
21b	000003111	Water Pump to Distribution Tube		[12]

S3070C, CVD3085

S3070C EVAPORATOR COMPARTMENT - COMMON COMPONENTS

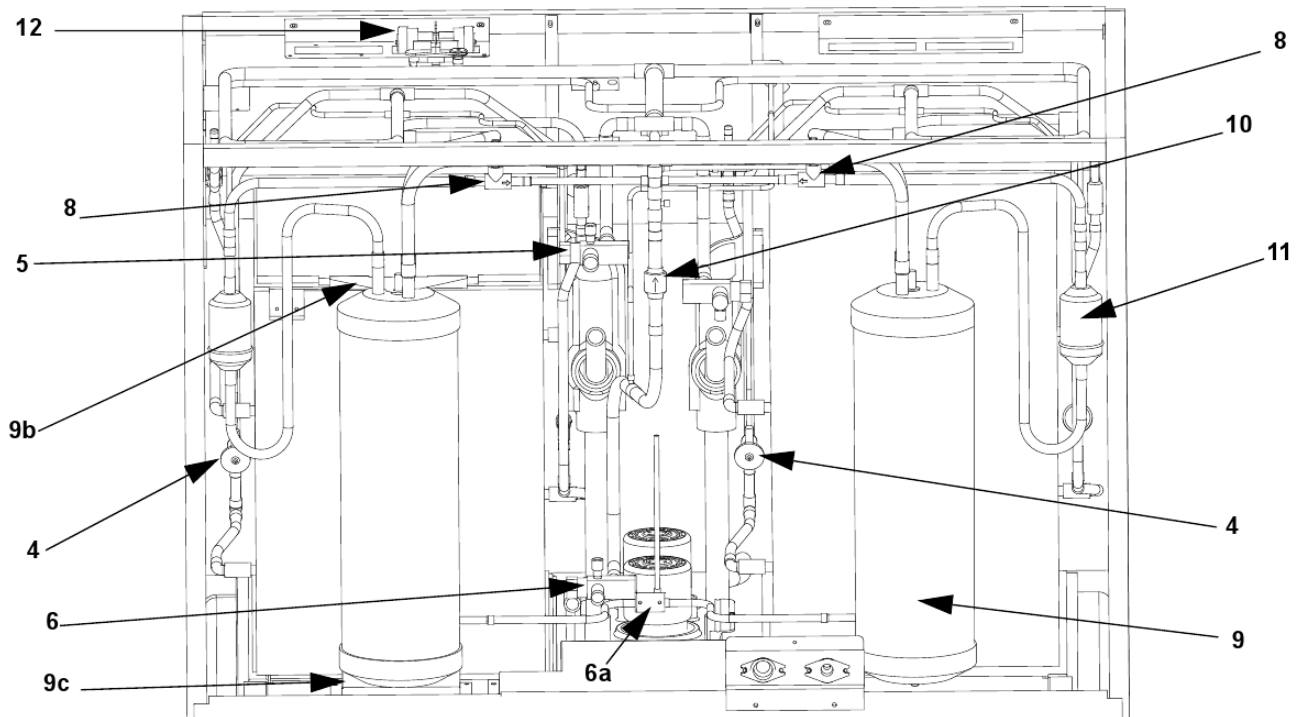
#	PART #	DESCRIPTION	QTY	Note
---	--------	-------------	-----	------

PART NOTES:

- [1] - Also used on 60 Hz
- [2] - to mount water level probe holder
- [3] - holds ice thickness probe wire to bulkhead
- [4] - to Right Hand Distribution Tubes
- [5] - to Left Hand Distribution Tubes
- [6] - for barbed fitting
- [7] - vinyl tubes to distribution tubes
- [8] - through bulkhead
- [9] - Back of Distribution Assembly
- [10] - Water Distribution Tube Mounting
- [11] - Evaporators 1 & 3
- [12] - Evaporators 2 & 4
- [13] - Connects 1 & 2 and 3 & 4

S3070C, CVD3085

S3070C REFRIGERATION COMPARTMENT - COMMON COMPONENTS



S3070C, CVD3085

S3070C REFRIGERATION COMPARTMENT - COMMON COMPONENTS

#	PART #	DESCRIPTION	QTY	Note
1		Water Dump Valve		
1a	000001767	Water Dump Valve - 115V/60 Hz		
1b	000001768	Water Dump Valve - 208-230V/50-60 Hz		
2		Harvest Valve		
2a	000002788	Solenoid Valve with Coil - 115V/60 Hz		
2b	000005156	Danfoss Solenoid Valve Coil Only - 115V/60 Hz		[1]
2c	7630101	Solenoid Valve with Coil - 230V/50-60 Hz		
2d	000005157	Danfoss Solenoid Valve Coil Only - 230V/50-60 Hz		[2]
3		Water Inlet Valve Including Coil		
3a	000003395	Water Inlet Valve - 115V/60 Hz/1 Ph		
3b	000002884	Water Inlet Valve - 208-230V/50-60 Hz		
4	000003158	Expansion Valve		
4a	4000403	Valve Insulation Boot - Body		
4b	4000923	Valve Insulation Boot - Bulb		
5	8373283	Manual Shut-off Valve Suction Line		
5a	000003280	Bracket		
5b	000003356	Back Panel - Support		
5c	5545109	Lockwasher		
5d	5033459	Screw - 1/4-20 x 0.625"		
6	8373273	Manual Shut-off Valve Liquid Line		
6a	000003280	Bracket		
7	8373169	Receiver Service Valve		
7a	5650753	Caps for Refrigeration Service Valve		
8		Liquid Line Solenoid Valve		
8a	000002788	Solenoid Valve with Coil - 115V/60 Hz		
8b	000005156	Danfoss Solenoid Valve Coil Only - 115V/60 Hz		[1]
8c	7630101	Solenoid Valve with Coil - 230V/50-60 Hz		
8d	000005157	Danfoss Solenoid Valve Coil Only - 230V/50-60 Hz		[2]
9	000003091	Receiver		
9a	000003254	Bottom Bracket		
9b	000003256	Top Bracket		
10	000001290	Check Valve		
11	000002883	Drier		
12		Air Assist Pump		
12a	2009343	Air Assist Pump - 115V		
12b	2009353	Air Assist Pump - 230V		
12c	4011733	Manifold Tee		[3]
12d	3001453	Air Assist Nozzle		
12e	000003106	Bracket		
12f	5202063	Screw - #10-24 x 0.50" HEX		
13		Water Drain		
13a	8706093	Female Wing Adapter - 0.375"		

S3070C, CVD3085

S3070C REFRIGERATION COMPARTMENT - COMMON COMPONENTS

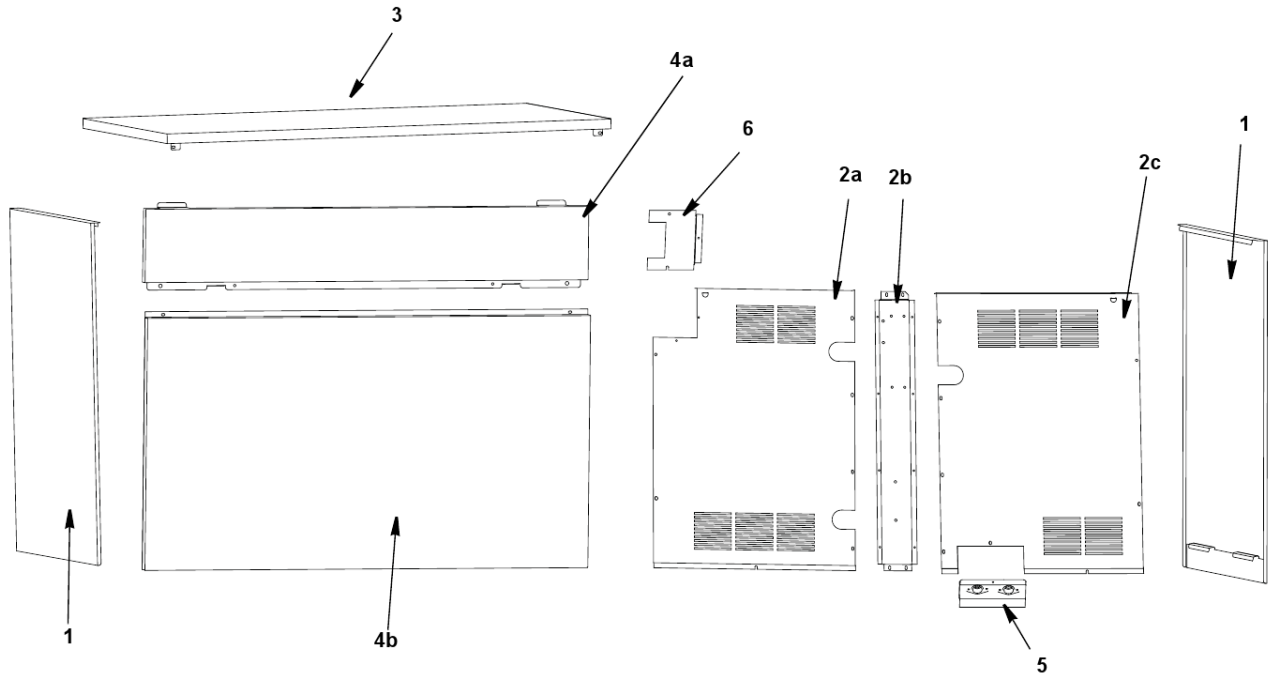
#	PART #	DESCRIPTION	QTY	Note
13b	4420383	Clear Tubing - 0.625" ID		
13c	5650709	Snap Clamp - 0.799"/0.899" ID		
14		Water Inlet Valve Components		
14a	4010439	Tubing - Water Inlet Valve		[4]
14b	1360989	Connector - Water Inlet Valve		
14c	000002064	Bracket - Water Inlet Valve		
15		Water Dump Valve Components		
15a	000003257	Mounting Bracket - Water Dump Valve		
15b	000003110	Tubing - Water Dump Valve		
16	000003352	Heat Exchanger Mounting Bracket		
17	5650529	Clamp - Expansion Valve Bulb		
18	3000503	Strap - Expansion Valve Bulb - 0.5"		
19	5202069	Screw - #10-24 x 0.50" HEX		

PART NOTES:

- [1] - \pages from 000005156_02.jpg" width=280 height=256>
- [2] - \pages from 000005156_02.jpg" width=266 height=183>
- [3] - Air Pump Tubing Outlet
- [4] - \pages from 401043_05.jpg" width=1797 height=2238>

S3070C, CVD3085

S3070C HEAD SECTION - PANELS

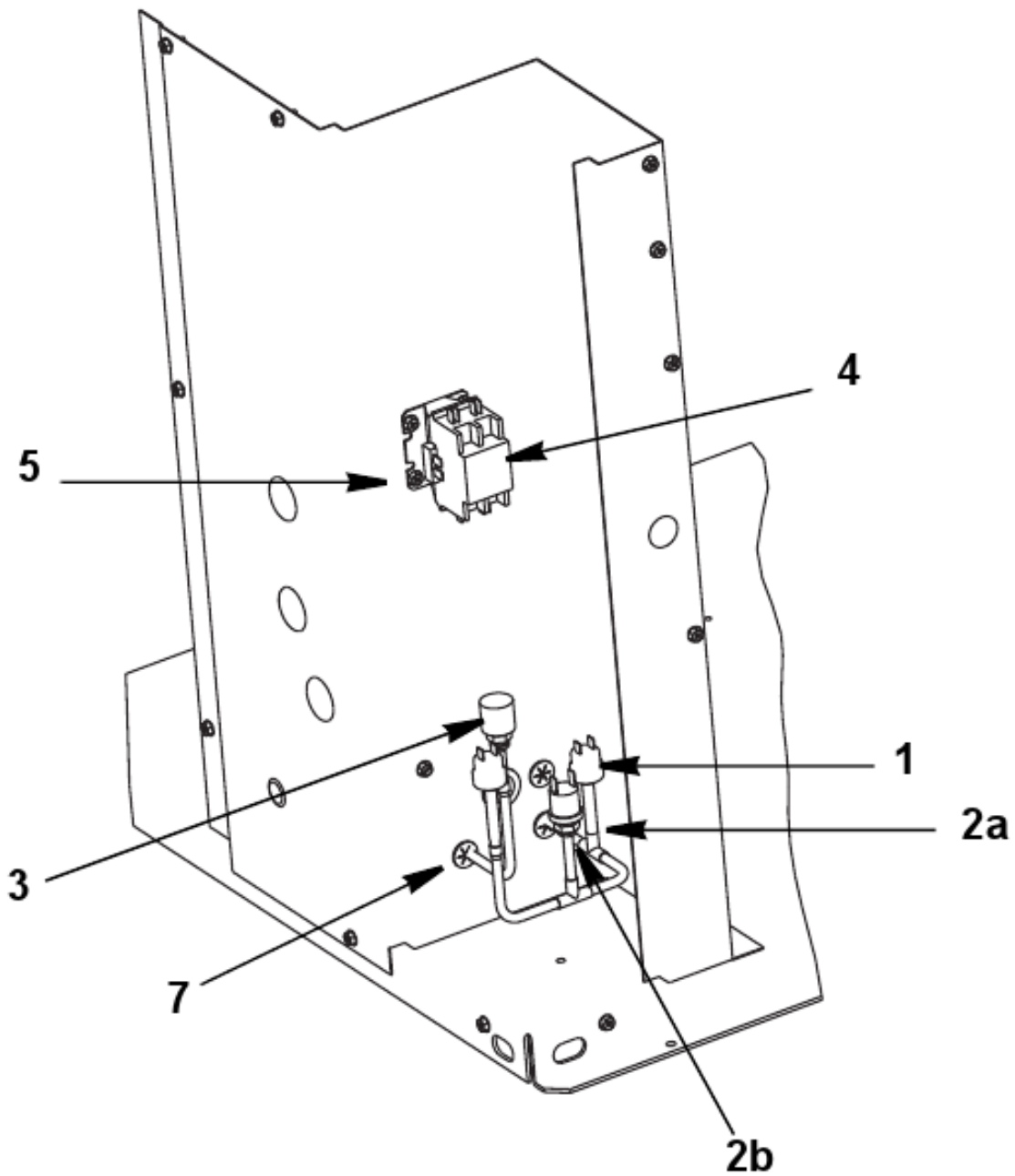


S3070C, CVD3085

S3070C HEAD SECTION - PANELS

#	PART #	DESCRIPTION	QTY	Note
1	000002811	Side Panels		
2		Back Panels		
2a	000003398	Back Panel - Right		
2b	000003356	Back Panel - Support		
2c	000003397	Back Panel - Left		
3	000002814	Top Cover		
4		Front Panel		
4a	000002817	Front Panel - Upper		
4b	000002816	Front Panel - Lower		
5	000003255	Water In/Out Panel		
5a	8706083	Female Wing Adapter - 0.50"		
5b	1360961	Male Connector		
6		Electrical Connection		
6a	000003991	Electrical Connection Box		
6b	000003993	Electrical Connection Box Cover		
7	000010516	Cartoning		

CVD3085 CONDENSING UNIT - CONTROL BOX COMPONENTS



S3070C, CVD3085

CVD3085 CONDENSING UNIT - CONTROL BOX COMPONENTS

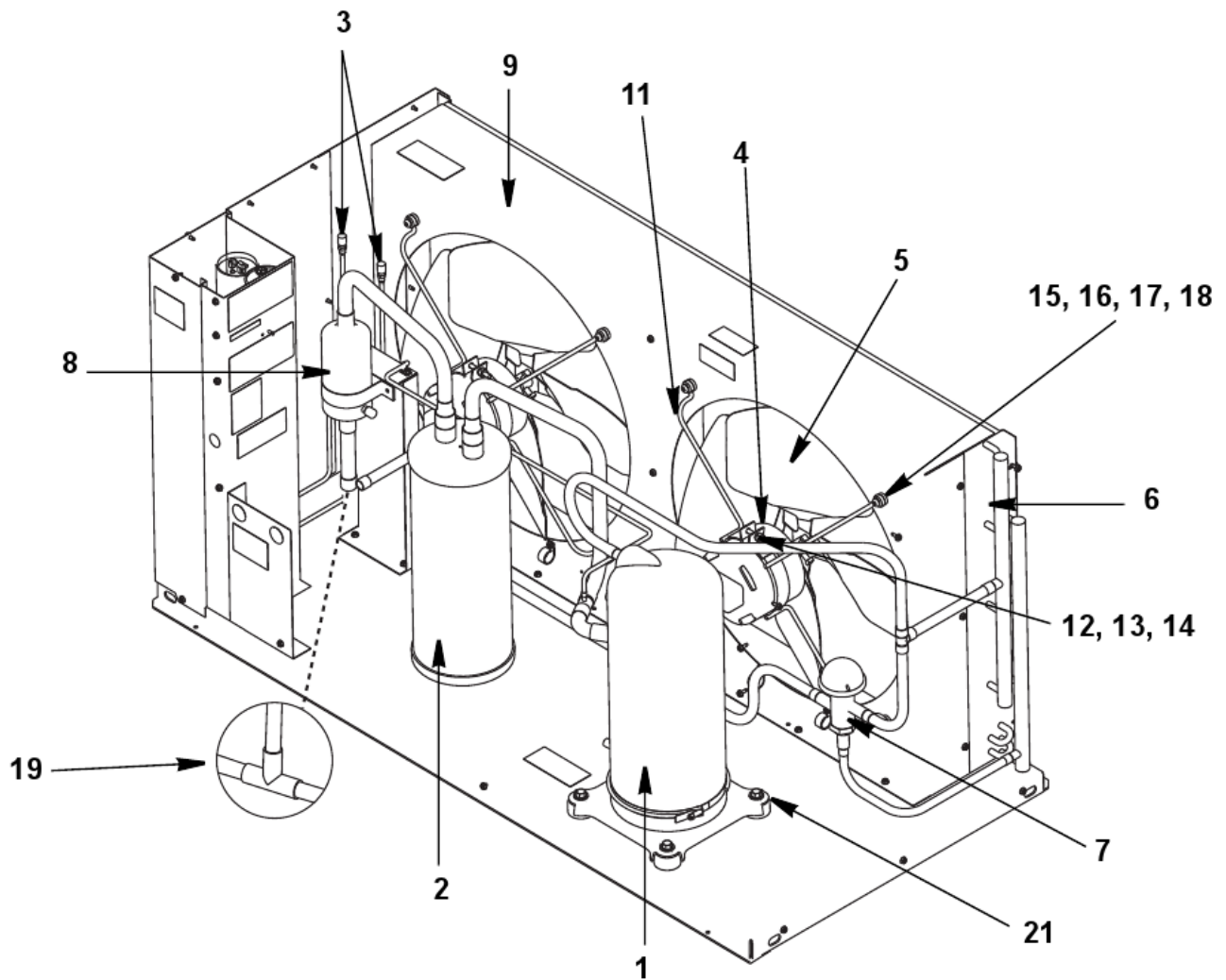
#	PART #	DESCRIPTION	QTY	Note
1	2001243	High Pressure Cut-out Control		
2a,b	2001263	Fan Cycling Control - 200-250 psig		[1]
3	2002229	Low Pressure Cut-out Control		
4		Contactactor		
4a	2006619	Contactactor - 230V/60 Hz/3 Ph		
5	5202069	Screw - #10-24 x 0.50" HEX		
6	5202169	Screw - #10-24 x 0.50" Ground		
7	2500169	Bushing - 0.91" OD x 0.44" ID		
8	2500029	Bushing - 1.125" OD x 0.75" ID		
9		Wiring Harness		
9a	000002793	Wiring Harness - Main - 208-230V/60 Hz/3 Ph		
9b	000007522	Wiring Harness - Main - 415V/50 Hz/ 3 Ph		
9c	000001369	Wiring Harness - Compressor - 208-230V/60 Hz/3 Ph & 415V/50 Hz/3 Ph		

PART NOTES:

[1] - \pages from 200126_09.jpg" width=150 height=306>

S3070C, CVD3085

CVD3085 CONDENSING UNIT - REFRIGERATION COMPARTMENT



S3070C, CVD3085

CVD3085 CONDENSING UNIT - REFRIGERATION COMPARTMENT

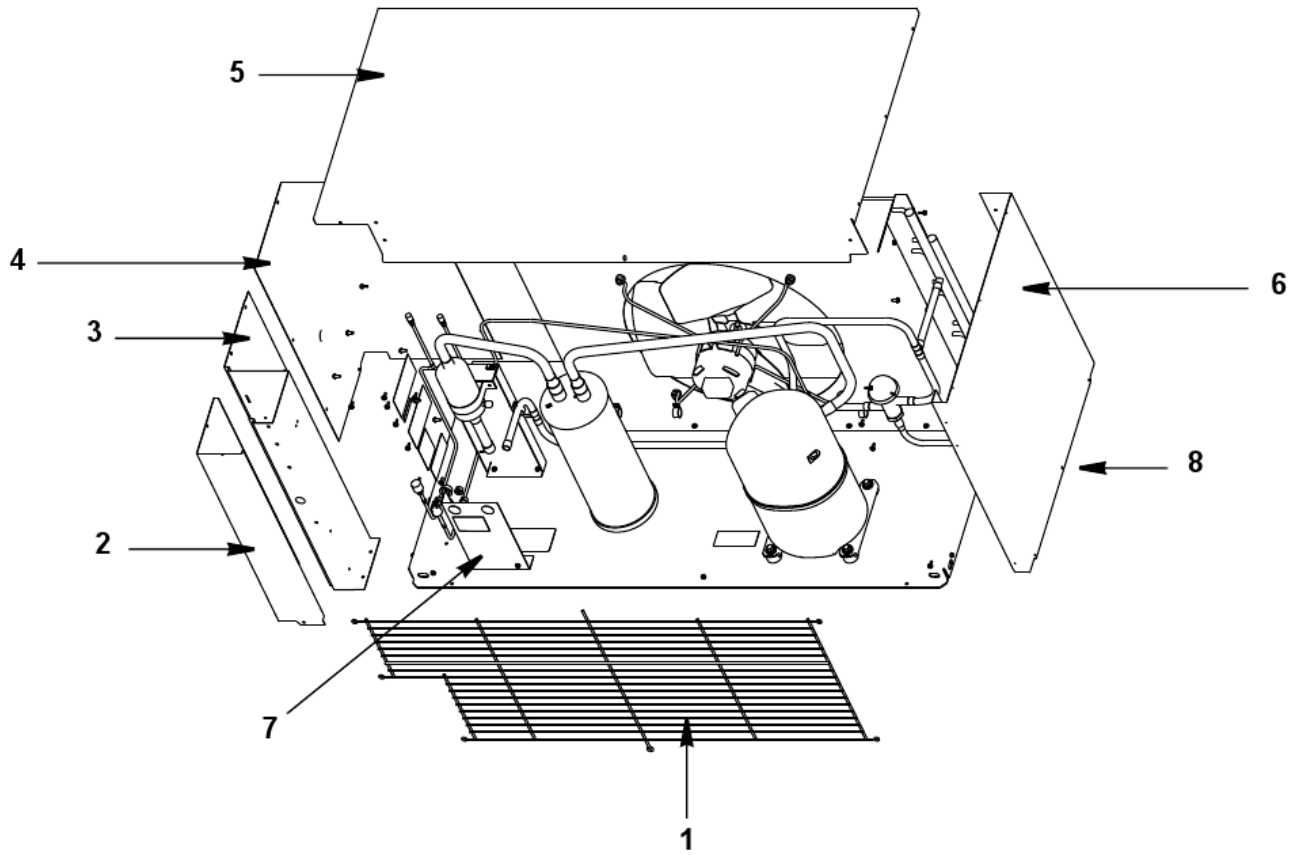
#	PART #	DESCRIPTION	QTY	Note
1		Compressor		
1a	000008734	Compressor - Danfoss - 208-230V/60 Hz/3 Ph		
1b	000005526	Compressor - Danfoss - 415V/50 Hz/ 3 Ph		
2	8250473	Accumulator		
3	8373253	Access Valve		
4		Fan Motor (s)		
4a	000003031	Fan Motor - 208-230V/60 Hz/1-3 Ph		
4b	2000589	Fan Motor - 230-415V/50 Hz/1-3 Ph		
5	8250083	Fan Blade		
6	8851413	Air Condenser		
7	000003190	Head Pressure Control Valve		
8	8250559	Suction Line Filter		
9	6038701	Fan Shroud		
10	6039321	Fan Shroud Divider		
11	3006833	Fan Motor Mounting Bracket		
12	5033589	Mounting - Screw		
13	5545119	Mounting - Lockwasher		
14	5429529	Mounting - Hexnut		
15	5033589	Mounting - Screw		
16	5545119	Mounting - Lockwasher		
17	5573059	Mounting - Flatwasher		
18	5429559	Mounting - Rubber Wellnut		
19	000003230	Tee		[1]
20	000002252	Bracket		
21		Compressor Mounting		
21a	000003028	Base		
21b	000003086	Support Bracket		
21c	8504859	Rubber Grommet		
21d	8503949	Mounting - Sleeve		
21e	5004819	Compressor Mounting - Bolt		
21f	5004829	Compressor Mounting - Nut		

PART NOTES:

[1] - connect suction lines to CVD

S3070C, CVD3085

CVD3085 CONDENSING UNIT - PANELS



S3070C, CVD3085

CVD3085 CONDENSING UNIT - PANELS

#	PART #	DESCRIPTION	QTY	Note
1	3000143	Condenser Fan Guard		
2	6040171	Control Box Cover		
3	6037071	Control Box Panel		
4	6038771	Left Side Panel		
5	000002144	Top Cover		
6	000002142	Top Cover		
7	6042261	Condensing Unit Tube Shield		
8	5202069	Screw - #10-24 x 0.50" HEX		
9	000001025	Cartoning		