



Manitowoc
Foodservice
Parts Manual

For more Parts Information:

<https://manitowocfsg.sysonline.com/Default.aspx>

TABLE OF CONTENTS

Manitowoc Foodservice [Updated: Sep. 30, 2013]

Manitowoc - Ice & Related

Parts Catalog

Ice Machine

RNS Series

RNS Model - CounterTop

RNS12, RNS20

RNS012 RNS020 Control Box 1

RNS012 RNS020 Evaporator Assembly 3

RNS012 RNS020 Refrigeration Compartment - View 1 6

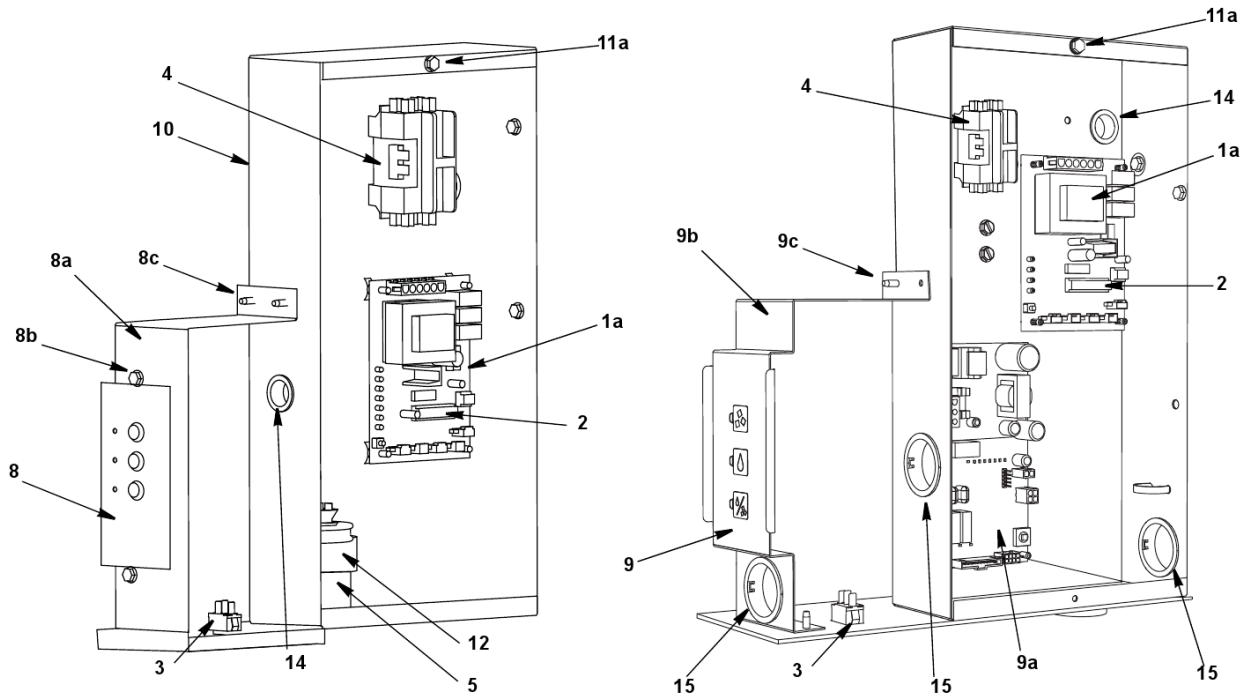
RNS012 RNS020 Refrigeration Compartment - View 2 9

RNS012 RNS020 - Air-cooled Compartment 12

RNS012 RNS020 Panels 14

RNS12, RNS20

RNS012 RNS020 CONTROL BOX



RNS12, RNS20

RNS012 RNS020 CONTROL BOX

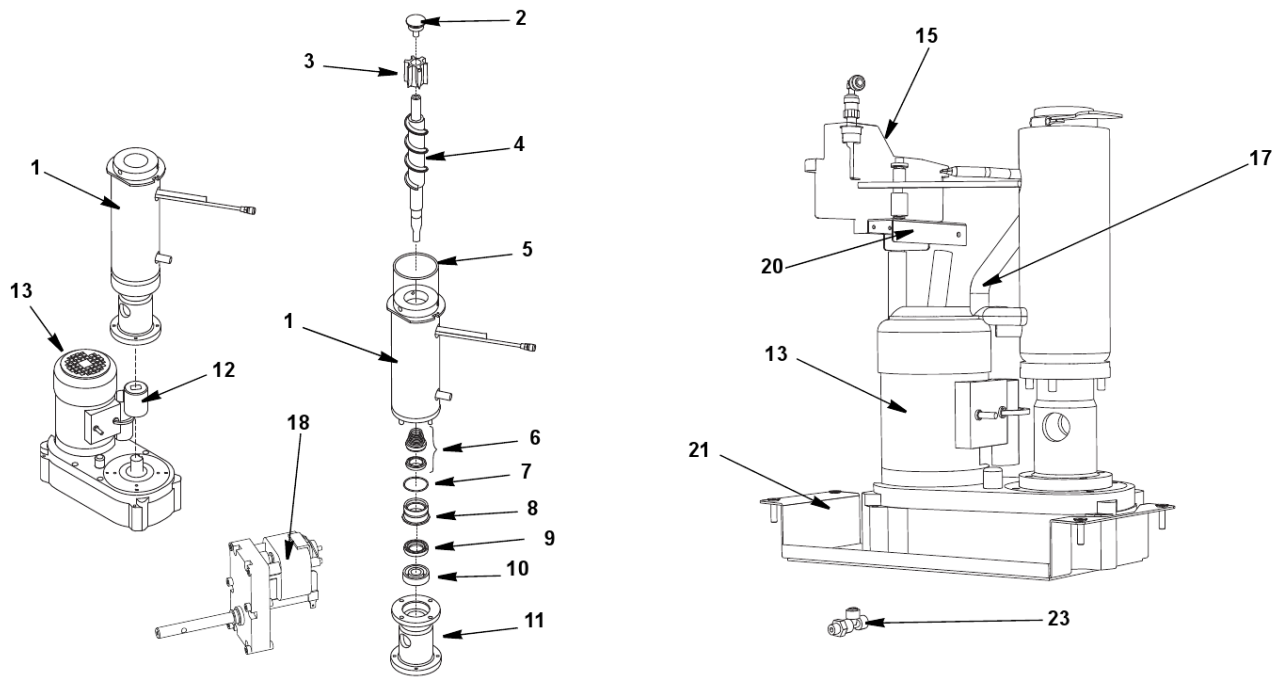
| # | PART # | DESCRIPTION | QTY | Note |
|-----|-----------|---------------------------------------|-----|------|
| 1 | 000001238 | Control Board | | |
| 1a | 4302253 | Control Board Mounting Supports | | |
| 2 | 2511493 | 10 Amp Fuse | | |
| 3 | 2007939 | Toggle Switch | | |
| 3a | 2009873 | Toggle Switch Wiring Harness | | |
| 4 | | Contactor | | |
| 4a | 2006589 | Contactor - 115V/60 Hz/1 Ph | | |
| 4b | 2006599 | Contactor - 230V/50-60 Hz/1 Ph | | |
| 5 | | Gearmotor Run Capacitor | | |
| 5a | 000007825 | Gearmotor Capacitor - 115V/60 Hz/1 Ph | | |
| 5b | 000007824 | Gearmotor Capacitor - 230V/50 Hz/1 Ph | | |
| 6 | 000010862 | Boost Transformer | | |
| 7 | 000008274 | Wiring Harness - Power | | |
| 8 | 2009523 | Selector Switch | | [1] |
| 8a | 6067221 | Bracket - Selector Switch | | [1] |
| 8b | 5012319 | Screw - #12-16 x 0.75" | | |
| 8c | 5202069 | Screw - #10-24 x 0.50" HEX | | |
| 8d | 2009723 | Wiring Harness - Selector Switch | | [1] |
| 9 | 000010710 | Touch Pad Selector | | [2] |
| 9a | 000010742 | Control Board - Touch Pad | | [2] |
| 9b | 000010745 | Bracket - Touch Pad | | [2] |
| 9c | 5202069 | Screw - #10-24 x 0.50" HEX | | |
| 9d | 000010750 | Wiring Harness - Touch Pad | | [2] |
| 10 | 000008461 | Control Box | | |
| 11 | 000000734 | Control Box Cover | | |
| 11a | 5202069 | Screw - #10-24 x 0.50" HEX | | |
| 12 | 6024953 | Capacitor Mounting Strap | | |
| 13 | 5202109 | Screw - #10-24 x 0.375" | | |
| 14 | 2501409 | Bushing - 0.875" | | |
| 15 | 2500139 | Bushing - 1.5" | | |

PART NOTES:

- [1] - Manufactured Before 01/2013
- [2] - Manufactured After 01/2013

RNS12, RNS20

RNS012 RNS020 EVAPORATOR ASSEMBLY



RNS12, RNS20

RNS012 RNS020 EVAPORATOR ASSEMBLY

| # | PART # | DESCRIPTION | QTY | Note |
|-----|-----------|---|-----|------|
| 1 | | Evaporator Assembly | | |
| 1a | 000008357 | Entire Evaporator Assembly | | |
| 1b | 000004018 | Cutter Head/Upper Bearing Assembly | | |
| 2 | 000008939 | Ice Wiper Stud | | |
| 3 | 000009158 | Extruder with bushing | | |
| 4 | 000009157 | Auger | | |
| 5 | 000008940 | O-ring Gasket | | |
| 6 | 000006426 | Water Seal | | |
| 7 | 000005583 | O-ring Gasket | | |
| 8 | 000005782 | Water Seal Retainer | | |
| 9 | 000008354 | Seal Ring | | |
| 10 | 000008355 | Bearing | | |
| 11 | 000008356 | Foundation | | |
| 12 | 000008358 | Joint | | |
| 13 | | Gear Box/Motor Assembly | | |
| 13a | 000011126 | Gearmotor Assembly - 115V/60 Hz/1 Ph | | |
| 13b | 000011800 | Gearmotor Assembly - 208-230V/50-60 Hz/1 Ph | | |
| 13c | 000008631 | Wiring Harness - Gearmotor | | |
| 14 | | Gearmotor Capacitors | | |
| 14a | 000007825 | Gearmotor Capacitor - 115V/60 Hz/1 Ph | | |
| 14b | 000007824 | Gearmotor Capacitor - 230V/50 Hz/1 Ph | | |
| 15 | 000006516 | Float Chamber Assembly | | [1] |
| 15a | 2008633 | Float Switch Only | | |
| 15b | 000006515 | Float Chamber Only | | |
| 16 | | Water Dispense Valve | | |
| 16a | 2009093 | Water Dispense Valve - 115V/60 Hz/1 Ph | | |
| 16b | 2009103 | Water Dispense Valve - 230V/50 Hz/1 Ph | | |
| 16c | 5002943 | Elbow 3/8 x 1/4 | | |
| 16d | 000001180 | Speed fit | | |
| 16e | 000000469 | Fitting | | |
| 17 | 000008205 | Molded Vinyl Tube | | |
| 18 | | Dispenser Motor | | |
| 18a | 000002191 | Dispenser Motor - 115V/60 Hz/1 Ph | | |
| 18b | 000002192 | Dispenser Motor - 230V/60 Hz/1 Ph | | |
| 19 | | Dispenser Motor Mounting | | |
| 19a | 000007423 | Dispenser Motor Mounting - Bracket | | |
| 19b | 5003383 | Dispenser Motor Mounting - Screw | | |
| 19c | 5573209 | Dispenser Motor Mounting - Star Washer | | |
| 20 | 6066101 | Float Valve Bracket | | |
| 20a | 5202069 | Screw - #10-24 x 0.50" HEX | | |
| 20b | 5650729 | Compression Nut | | |
| 21 | | Gearmotor Mounting Base | | |

RNS12, RNS20

RNS012 RNS020 EVAPORATOR ASSEMBLY

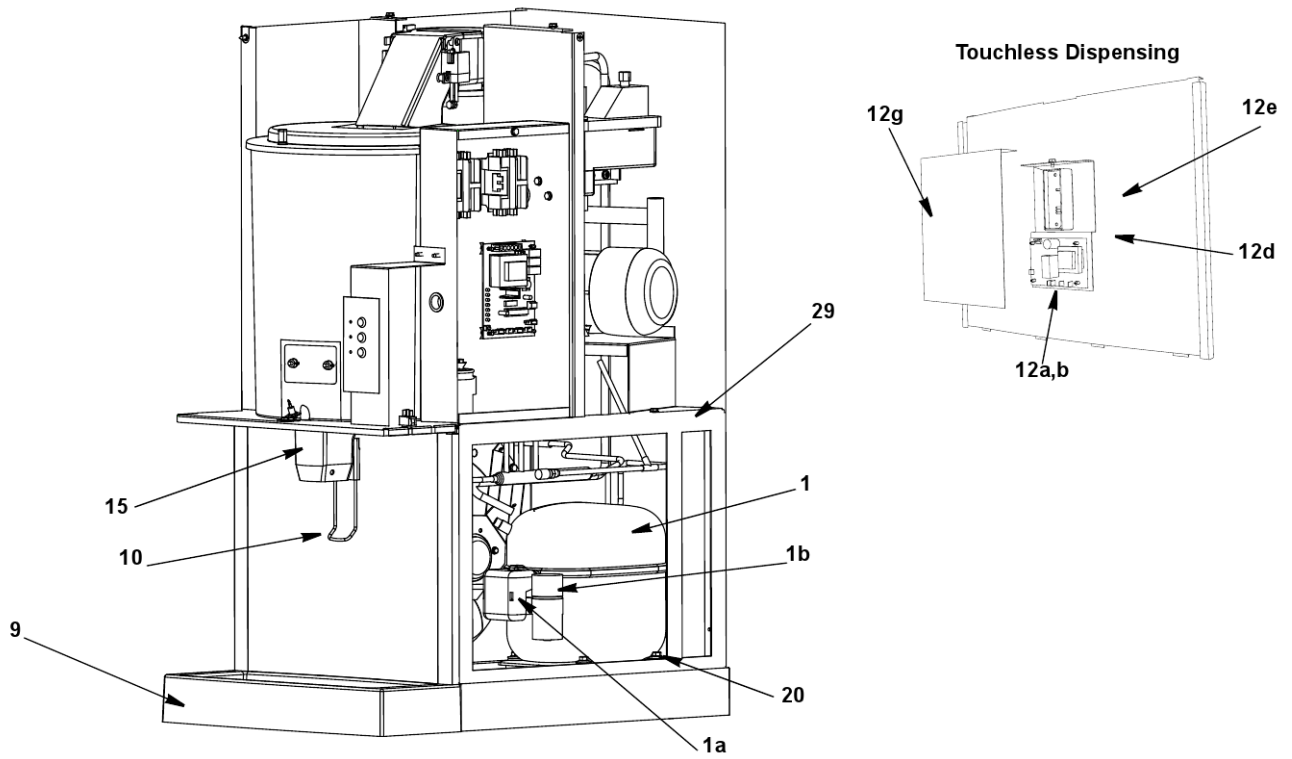
| # | PART # | DESCRIPTION | QTY | Note |
|-----|-----------|---------------------------------------|-----|------|
| 21a | 000008007 | RNS12 Gearmotor Mounting Base | | |
| 21b | 000008194 | RNS20 Gearmotor Mounting Base | | |
| 22 | | Evaporator Mounting to Bracket | | |
| 22a | 6069201 | Mounting - Bracket | | |
| 22b | 5005423 | Mounting - Bolt | | |
| 22c | 5573059 | Mounting - Flatwasher | | |
| 22d | 5573139 | Mounting - Lockwasher | | |
| 23 | 2009483 | Swivel Tee Male | | |
| 24 | | Evaporator Mounting to Gear Motor | | |
| 24a | 5005653 | Mounting - Bolt | | |
| 24b | 5005663 | Mounting - Flatwasher | | |
| 24c | 5005673 | Mounting - Lockwasher | | |
| 25d | 5202069 | Mounting - Screw - #10-24 x 0.50" HEX | | |
| 26 | 5650649 | Hose Clamp - 0.759"/0.848" ID | | |

PART NOTES:

[1] - includes float, switch, cover & housing

RNS12, RNS20

RNS012 RNS020 REFRIGERATION COMPARTMENT - VIEW 1



RNS12, RNS20

RNS012 RNS020 REFRIGERATION COMPARTMENT - VIEW 1

| # | PART # | DESCRIPTION | QTY | Note |
|-----|-----------|---|-----|------|
| 1 | 7601323 | Compressor - Danfoss - 115V/60 Hz/1 Ph | | |
| 1a | 2002043 | Current Relay with Overload - 115V/60 Hz/1 Ph | | |
| 1b | 2002033 | Start Capacitor - 115V/60 Hz/1 Ph | | |
| 1 | 7601333 | Compressor - Danfoss - 230V/50 Hz/1 Ph | | |
| 1a | 2004873 | Current Relay with Overload - 230V/50 Hz/1 Ph | | |
| 1b | 2004863 | Start Capacitor - 230V/50 Hz/1 Ph | | |
| 2 | | Water Dump Valve | | |
| 2a | 000007429 | Water Dump Valve 115V | | |
| 2b | 000007428 | Water Dump Valve 208-240V | | |
| 3 | 000010515 | Expansion Valve | | |
| 4 | 000010676 | Expansion Valve Body Insulation Boot | | |
| 5 | 2001243 | High Pressure Cut-out | | |
| 6 | 000004012 | Low Pressure Switch | | |
| 7 | 8310233 | Manifold Strainer | | |
| 8 | 8930259 | Drier | | |
| 9 | 4013423 | Drain Tray | | |
| 9a | 3006573 | Grill/Wire Drain Tray Rack | | |
| 10 | 4014783 | Dispenser Arm | | |
| 11 | 6068631 | Lever Bracket | | |
| 12 | | Touch Less Dispensing | | |
| 12a | 000000308 | Control Board - 115V/60 Hz/1 Ph | | |
| 12b | 000000186 | Control Board - 230V/50 Hz/1 Ph | | |
| 12c | 000000187 | Control Board Support | | |
| 12d | 000008173 | Sensor Block Assembly | | |
| 12e | 000000185 | Bracket | | |
| 12f | 000000332 | Screw | | |
| 12g | 000000580 | Mylar Shield | | |
| 13 | 000000310 | Wiring Harness - Touchless Dispensing | | |
| 14 | 2009463 | Blue LED Light | | |
| 15 | 000002247 | Ice Dispense Chute | | |
| 16 | 2009453 | Momentary Switch | | |
| 17 | 5000673 | Coupling Male Reducing 3/8" x 1/4" | | |
| 18 | 9000853 | Water Dispense Tubing - 21.5" | | |
| 19 | 8373253 | Access Valve | | |
| 20 | | Compressor Mounting | | |
| 20a | 5004203 | Mounting - Grommet | | |
| 20b | 5000939 | Mounting - Screw | | |
| 20c | 5004213 | Mounting - Sleeve | | |
| 20d | 5000979 | Mounting - Washer | | |
| 20e | 2512043 | Strain Relief Bushing | | |
| 21 | 8706093 | Female Wing Adapter - 0.375" | | |
| 21a | 5202069 | Screw - #10-24 x 0.50" HEX | | |

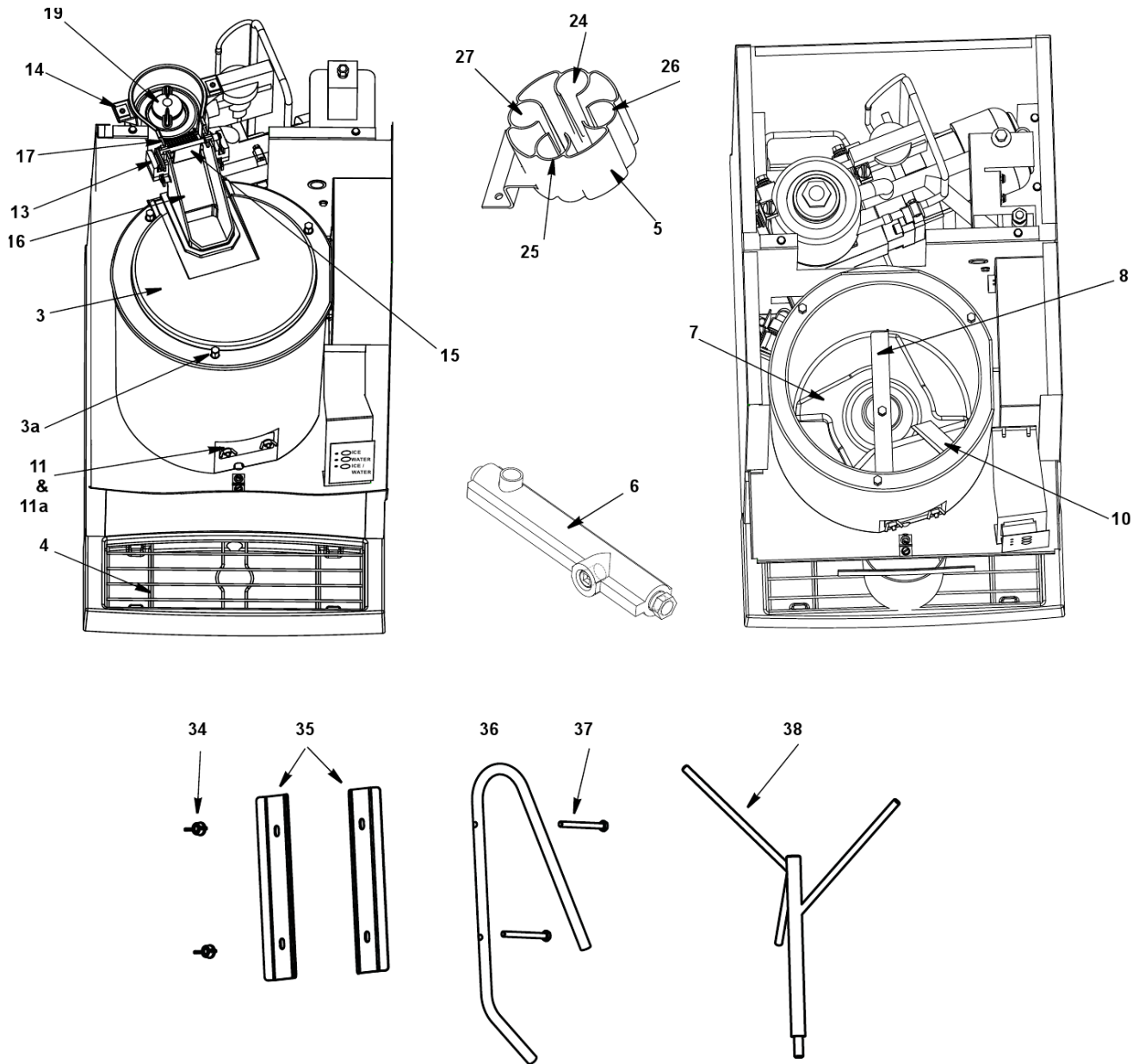
RNS12, RNS20

RNS012 RNS020 REFRIGERATION COMPARTMENT - VIEW 1

| # | PART # | DESCRIPTION | QTY | Note |
|-----|-----------|-------------------------------|-----|------|
| 22 | 2009483 | Swivel Tee Male | | |
| 23 | 4420291 | Vinyl Tube - 0.25" OD | | |
| 24 | 6039081 | Water Inlet Tubing Insulation | | |
| 25 | 2500139 | Bushing - 1.5" | | |
| 26 | 2512043 | Strain Relief Bushing | | |
| 26a | 000000081 | Power Cord | | |
| 26b | 000000082 | Power Cord - 230V/50 Hz | | |
| 27 | 6066241 | Water Dump Valve Bracket | | |
| 27a | 5202329 | Screw - #10-24 x 0.25" PH | | |
| 28 | | Drain Tray | | |
| 28a | 4015853 | Vinyl Tube | | |
| 28b | 5650663 | Clamp - 1.218 x 1.405 | | |
| 29 | | Support Bracket | | |
| 29a | 000006716 | Support Bracket - RNS12 | | |
| 29b | 000008004 | Support Bracket - RNS20 | | |
| 30 | | Suction Line | | |
| 30a | 000010517 | Suction Line - RNS12 | | |
| 30b | 000010518 | Suction Line - RNS20 | | |
| 31 | | Liquid Line | | |
| 31a | 000008458 | Liquid Line - RNS12 | | |
| 31b | 000008196 | Liquid Line - RNS20 | | |

RNS12, RNS20

RNS012 RNS020 REFRIGERATION COMPARTMENT - VIEW 2



RNS12, RNS20

RNS012 RNS020 REFRIGERATION COMPARTMENT - VIEW 2

| # | PART # | DESCRIPTION | QTY | Note |
|-----|-----------|-----------------------------------|-----|------|
| 1 | | Bin Liner | | |
| 1a | 4013313 | Bin Liner RNS012 | | |
| 1b | 4015023 | Bin Liner RNS020 | | |
| 2 | 5005623 | Bottom Adapter | | [1] |
| 3 | 4014453 | Cover | | |
| 3a | 5305123 | Thumbscrew SS - #8-32 x 0.44" | | |
| 4 | 3006573 | Grill/Wire Drain Tray Rack | | |
| 5 | 4015073 | Four into One Drain | | |
| 5a | 5202069 | Screw - #10-24 x 0.50" HEX | | |
| 6 | 6072021 | Interchangeable Drain Tube | | |
| 7 | 000002201 | Dispense Wheel | | |
| 7a | 000002245 | Thumbscrew | | |
| 8 | 000002203 | Agitator Bar | | |
| 8a | 000000325 | Washer | | |
| 8b | 000002243 | O-ring | | |
| 9 | 5005823 | Drive Pin | | |
| 10 | 000012605 | Ice Deflector | | |
| 11 | 6069031 | Support Plate | | |
| 11a | 5005503 | Wingnut | | |
| 12 | 2009793 | Hall Effect Switch with Wiring | | |
| 13 | 2009803 | Hall Effect Switch Housing | | |
| 13a | 5121629 | Screw | | |
| 14 | 5650853 | Receptacle | | |
| 14a | 5000453 | Wing-head Mounting Stud | | |
| 15 | 4014443 | Damper Door Nugget | | |
| 16 | 4013363 | Ice Chute | | |
| 17 | 4014883 | Strainer Ramp | | |
| 18 | 4013463 | Chute Cover - sits on receptacle | | |
| 19 | 000002062 | Ice Wiper - Nugget | | |
| 20 | 5005523 | Thumbscrew | | [2] |
| 21 | | Dispenser Motor | | |
| 21a | 000002191 | Dispenser Motor - 115V/60 Hz/1 Ph | | |
| 21b | 000002192 | Dispenser Motor - 230V/60 Hz/1 Ph | | |
| 21c | 000002245 | Thumbscrew | | |
| 21d | 000000325 | Washer | | |
| 22 | | Secure Ice Chute to Evaporator | | |
| 22a | 000000464 | Clamp Assembly | | |
| 22b | 000005183 | Clamp Seal | | |
| 23 | | Secure Dispenser Motor to Bin | | |
| 23a | 5573209 | Star Washer | | |
| 23b | 5202069 | Screw - #10-24 x 0.50" HEX | | |
| | | RNS12 Tubing | | [3] |

RNS12, RNS20

RNS012 RNS020 REFRIGERATION COMPARTMENT - VIEW 2

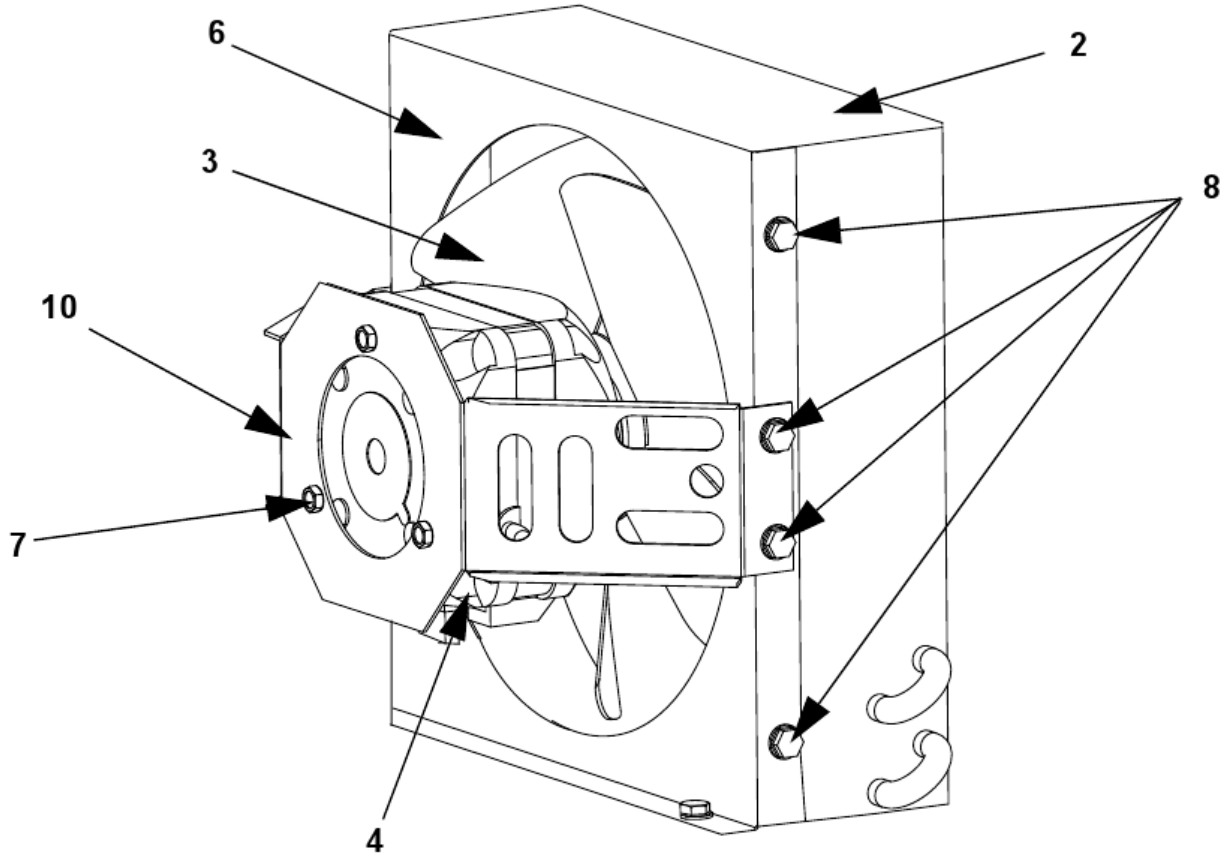
| # | PART # | DESCRIPTION | QTY | Note |
|-----|-----------|---|-----|------|
| 24 | 4420383 | Clear Tubing - 0.625" ID | | |
| 25 | 4420383 | Clear Tubing - 0.625" ID | | |
| 26 | 4015763 | Float Overflow | | |
| 27 | 4420383 | Clear Tubing - 0.625" ID | | |
| 28 | 5650609 | Snap Clamp - 1.0" ID | | |
| | | RNS20 Tubing | | [3] |
| 29 | 4420383 | Clear Tubing - 0.625" ID | | |
| 30 | 4420383 | Clear Tubing - 0.625" ID | | |
| 31 | 4015943 | Float Overflow | | |
| 32 | 4420383 | Clear Tubing - 0.625" ID | | |
| 33 | 5650609 | Snap Clamp - 1.0" ID | | |
| | | RNS20 Model Only | | |
| 34 | 5005503 | Wingnut | | [4] |
| 35 | 000012602 | Ice Breaker Mounting Bracket | | [5] |
| 36 | 000002197 | Ice Breaker | | [4] |
| 37 | 000002244 | Mounting Bolts | | [4] |
| 38 | 000002196 | Upright Agitator Bar | | [4] |
| 39 | | Upright Agitator Bar - Obsolete - Replaced by Kit | | |
| 39a | 000002776 | Upright Agitator Bar 115V/60 Hz/1 Ph | | [4] |
| 39b | 000002777 | Upright Agitator Bar 230V/60 Hz/1 Ph | | [4] |

PART NOTES:

- [1] - 1/2 N.P.T. x 1/2 Barbed
- [2] - RNS12 Only
- [3] - (four in one drain)
- [4] - RNS20 Model Only
- [5] - (1 piece)

RNS12, RNS20

RNS012 RNS020 - AIR-COOLED COMPARTMENT



RNS12, RNS20

RNS012 RNS020 - AIR-COOLED COMPARTMENT

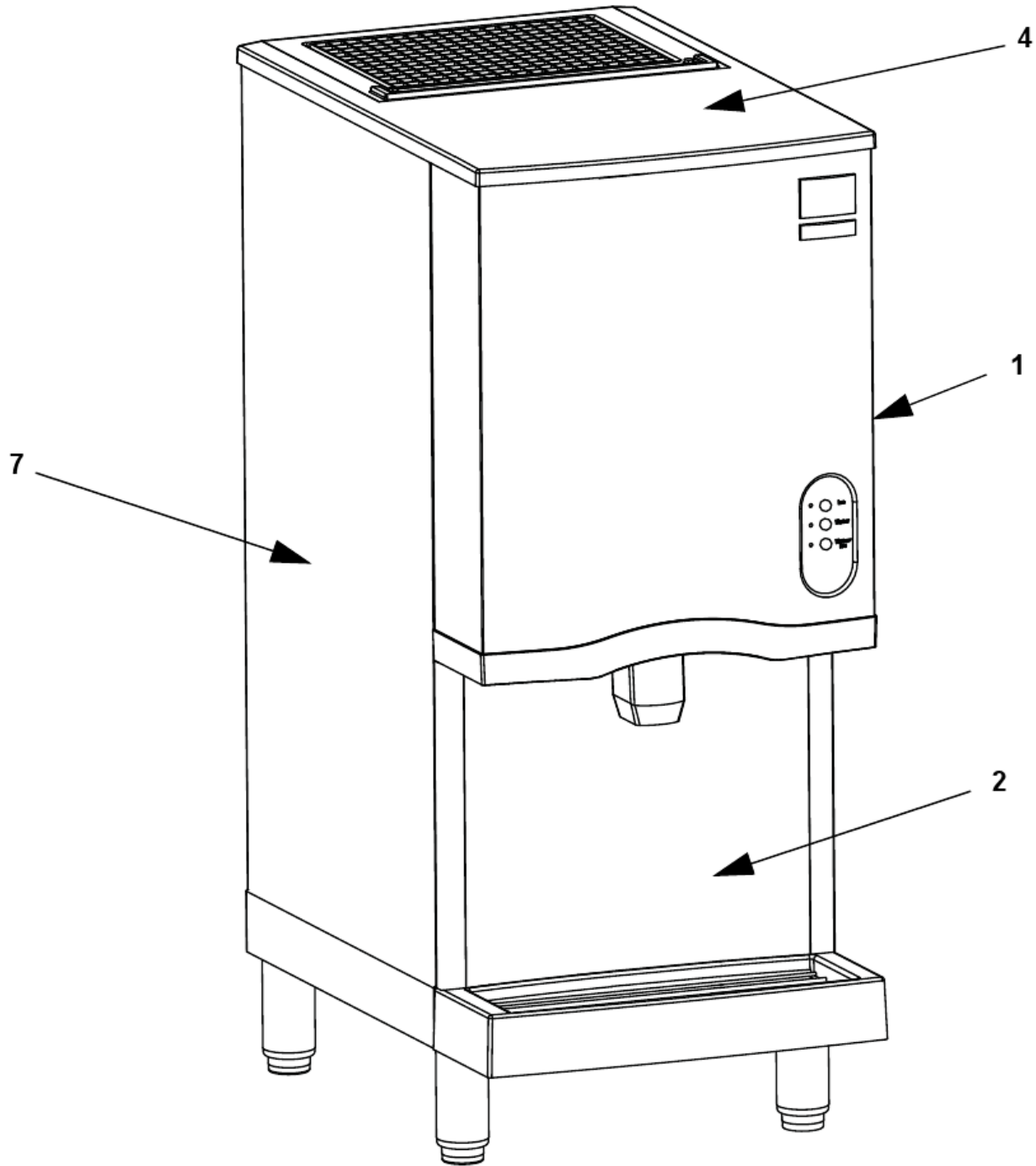
| # | PART # | DESCRIPTION | QTY | Note |
|----|-----------|------------------------------------|-----|------|
| 1 | | Compressor | | [1] |
| 2 | 8252859 | Air Condenser | | |
| 3 | 2416223 | Fan Blade | | |
| 4 | | Fan Motor | | |
| 4a | 000006656 | Fan Motor - 115V/60 Hz/1 Ph | | |
| 4b | 2412823 | Fan Motor - 208-230V/50-60 Hz | | |
| 5 | 2001263 | Fan Cycling Control - 200-250 psig | | [2] |
| 6 | 6065801 | Fan Shroud | | |
| 7 | 5005513 | Screw 0.7 x 8 mm | | |
| 8 | 5202069 | Screw - #10-24 x 0.50" HEX | | |
| 9 | 5475079 | Speed Nut - 0.25" x 20 | | |
| 10 | 000000409 | Fan Motor Bracket | | |

PART NOTES:

- [1] - Refer to COMMON PARTS PAGE
- [2] - \pages from 200126_09.jpg" width=150 height=306>

RNS12, RNS20

RNS012 RNS020 PANELS



RNS12, RNS20

RNS012 RNS020 PANELS

| # | PART # | DESCRIPTION | QTY | Note |
|-----|-----------|--|-----|------|
| 1 | | Front Panel Assembly | | |
| 1a | 6068241 | RNS12 Front Panel Assembly | | |
| 1b | 6070801 | RNS20 Front Panel Assembly | | |
| 2 | 6068481 | Lever Activated - Lower Front Panel | | |
| 2a | | Touchless - Lower Front Panel | | |
| 2b | 000000338 | Touchless - Lower Front Panel Assembly 115V/60 Hz/1 Ph | | |
| 2c | 000000383 | Touchless - Lower Front Panel Assembly 230V/60 Hz/1 Ph | | |
| 2d | 000000645 | Front Panel Label | | |
| 3 | 8251713 | Air Filter | | |
| 4 | 4014463 | Top Cover | | |
| 5 | | Back Panel | | |
| 5a | 6068151 | RNS12 Back Panel | | |
| 5b | 6071361 | RNS20 Back Panel | | |
| 6 | | Right Side Panel - Non-Louvered | | |
| 6a | 000008006 | RNS12 - Right Side Panel - Non-Louvered | | |
| 6b | 000008177 | RNS20 - Right Side Panel - Non-Louvered | | |
| 7 | | Left Side Panel - Louvered | | |
| 7a | 000008005 | RNS12 - Left Side Panel - Louvered | | |
| 7b | 000008178 | RNS20 - Left Side Panel - Louvered | | |
| 8 | 5202069 | Screw - #10-24 x 0.50" HEX | | [1] |
| 9 | 000000458 | Thumbscrew | | [2] |
| 10 | 5005573 | Side Panel Screws | | |
| 11 | 000000741 | Side Panel Nuts | | |
| 12 | 5012349 | Screws | | [3] |
| 13 | 5202099 | Screw - #10-24 x 0.50" PHIL | | |
| 14 | 4014703 | Front Panel Top End Cap | | |
| 15 | 5012349 | Screws | | |
| 16 | | Cartoning | | |
| 16a | 000002781 | Cartoning | | [4] |
| 16b | 000011198 | Cartoning | | [5] |

PART NOTES:

- [1] - mounts back panel
- [2] - Top Cover
- [3] - inside
- [4] - RNS12
- [5] - RNS20