



Manitowoc
Foodservice
Parts Manual

For more Parts Information:

<https://manitowocfsg.sysonline.com/Default.aspx>

TABLE OF CONTENTS

Manitowoc Foodservice [Updated: Sep. 30, 2013]

Manitowoc - Ice & Related

Parts Catalog

Ice Machine

RFS Series

RFS Model - QuietQube

RFS1200C, RCU1075

RFS1200C Evaporator Assembly1

RFS1200C Evaporator Compartment3

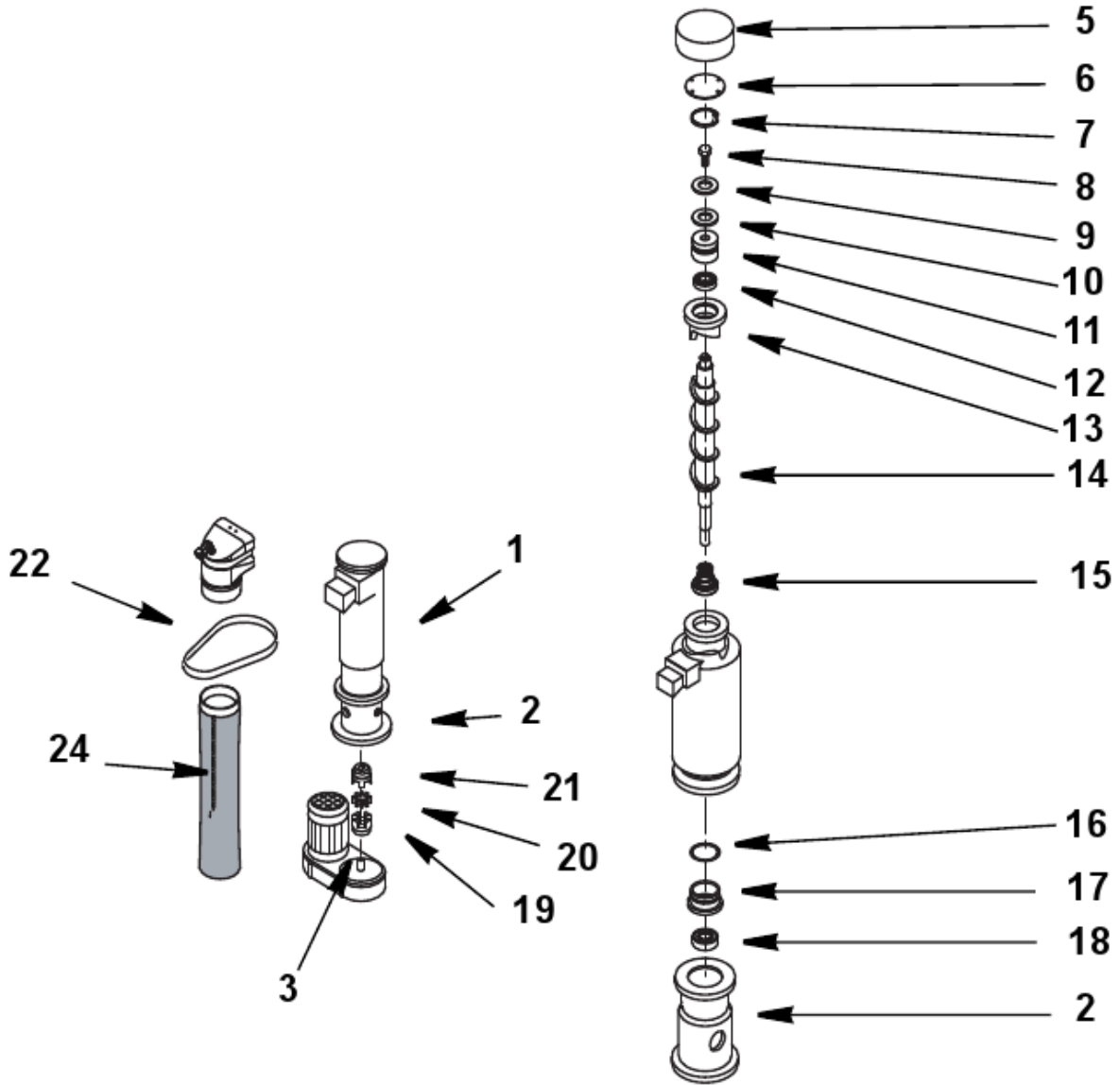
RFS1200C Panels5

RCU1075 Remote Condenser7

RCU1075 Condensing Unit Panels9

RFS1200C, RCU1075

RFS1200C EVAPORATOR ASSEMBLY



RFS1200C, RCU1075

RFS1200C EVAPORATOR ASSEMBLY

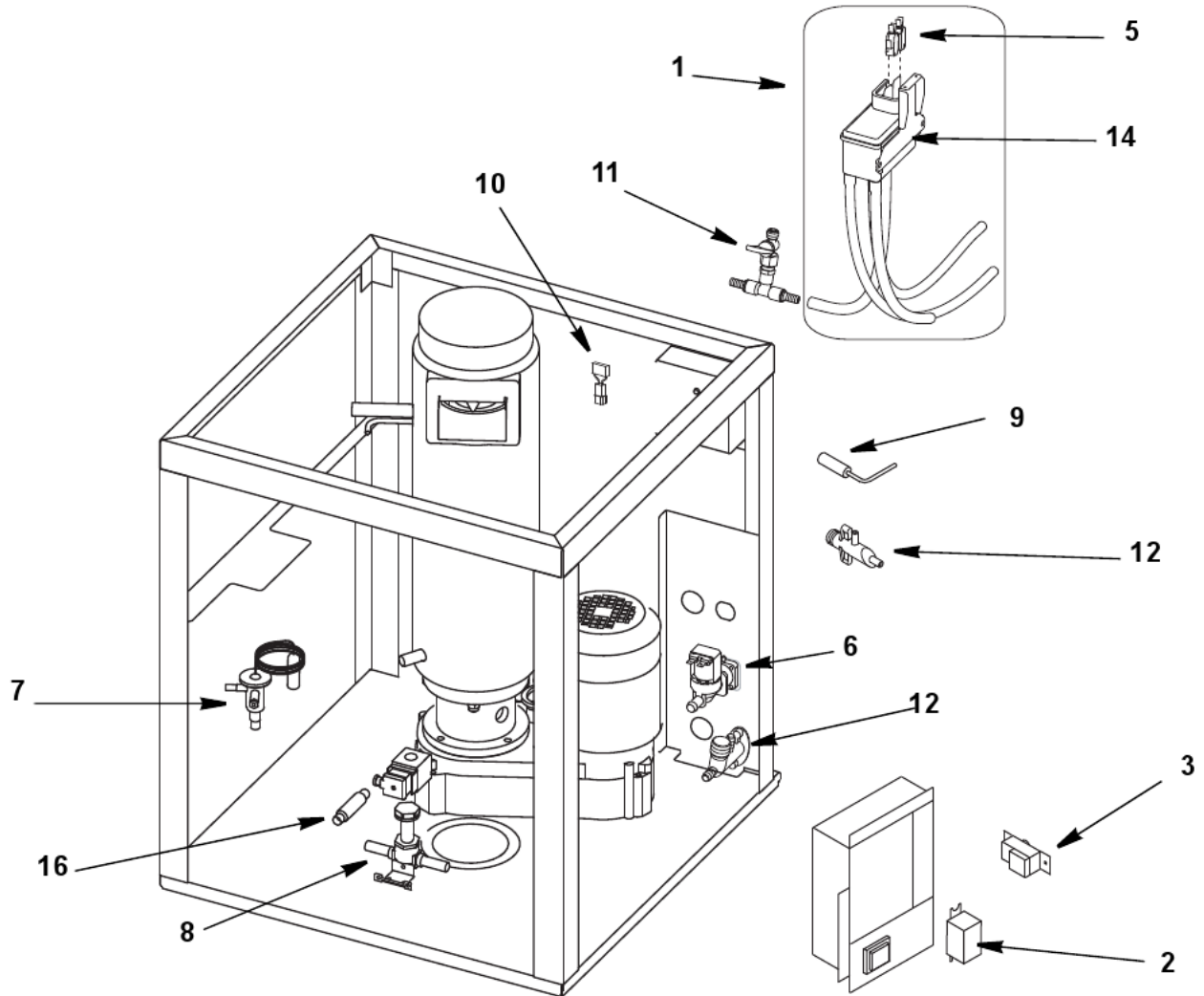
#	PART #	DESCRIPTION	QTY	Note
1	000005682	Evaporator Assembly		
2	000005694	Evaporator Foundation		
2a	000012459	Bolt - Evaporator Foundation - M6 x 25mm		
3		Gearmotor Assembly		
3a	000006064	Gearmotor Assembly - 220V/60 Hz/1 Ph		
3b	000005699	Gearmotor Assembly - 230V/50 Hz/1 Ph		
4		Gearmotor Capacitor		
4a	000007822	Gearmotor Capacitor - 230V/50 Hz/1 Ph		
4b	000007823	Gearmotor Capacitor - 220V/60 Hz/1 Ph		
5	000005732	Insulating Cap		
6	000005646	Bearing Cap		
7	000005758	Snap Ring		
8	000005600	Auger Bolt		
9	000005610	Bearing Shim		
10	000005651	Self Lubricating Disc		
11	000005606	Upper Bearing		
12	000005736	Upper O-ring		
13	000005649	Cutter Head		
14	000005597	Auger		
15	000005779	Water Seal		
16	000005582	Lower O-Ring		
17	000005780	Water Seal Retainer		
18	000005604	Lower Bearing		
19	000005643	Flex Jaw Coupling Lower		
20	000005644	Flex Jaw Coupling Spider		
21	000005571	Flex Jaw Coupling Upper		
22	000011624	Ice Chute with Bulb Holder and Bin Thermostat		
22	000011620	Ice Chute with Bulb Holder		
22	000007906	Ice Exhaust with Microswitch		
22	000011623	Bin Thermostat		[1]
22	000007918	Cross Bar		
22	000007907	Locking Strip		
22	000007919	Ice Chute Assembly		[2]
22	000007917	Ice Outlet Pipe Assembly		[2]
23	000008643	Ice Chute Extension		
24	000007916	Bulb Holder		[2]

PART NOTES:

- [1] - Before Serial Number M05995632012 must order 000011624 (bin thermostat AND ice chute with bulb holder).
- [2] - Discontinued

RFS1200C, RCU1075

RFS1200C EVAPORATOR COMPARTMENT



RFS1200C, RCU1075

RFS1200C EVAPORATOR COMPARTMENT

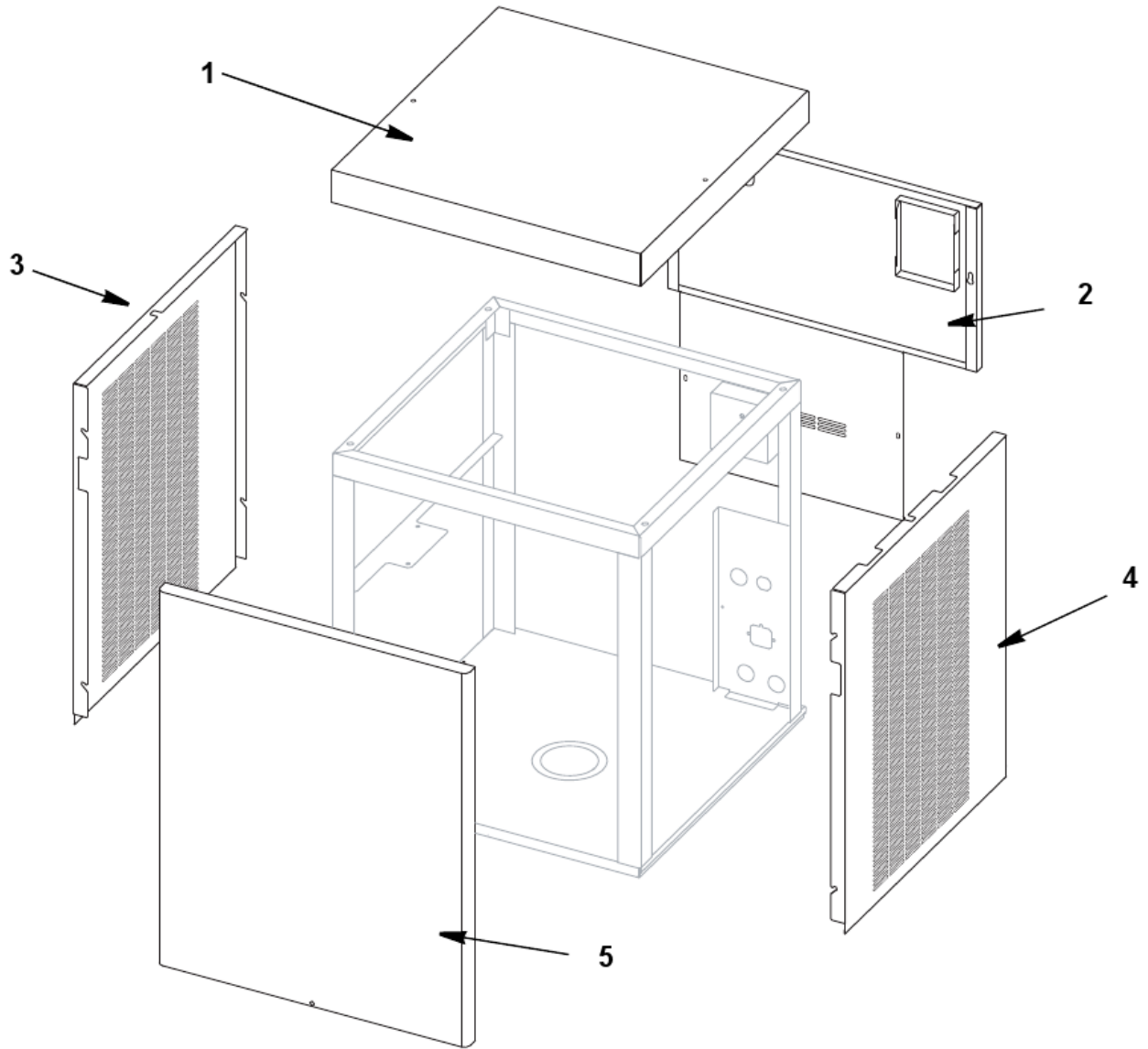
#	PART #	DESCRIPTION	QTY	Note
1	000012451	Water Reservoir Assembly		[1]
1a	000005747	Water Reservoir Only		
2	000005745	Compressor Delay Relay - 230V/50-60 Hz/1 Ph		
3	000011623	Bin Thermostat		[2]
3	000005765	Bin Thermostat		[3]
4	000005763	ON/OFF Rocker Switch		
5	000005760	Float Microswitch (each)		
6		Water Inlet Valve		
6a	000006058	Water Inlet Valve - 220V/60 Hz/1 Ph		
6b	000005770	Water Inlet Valve - 220-230V/50-60 Hz/1 Ph		
7	000008689	Expansion Valve		
8		Harvest Valve		
8a	000006244	Solenoid Valve		
8b	000008763	Valve Coil - 60 Hz		
9	000011883	Rotation Sensor		
10	000005678	Electronic Noise Reducer		
11	000008552	Evaporator Drain Tap		
12		Drain Manifold		
12a	000006161	Drain Manifold - 115-230V/60 Hz/1 Ph		
12b	000005669	Drain Manifold - 208-230V/50-60 Hz/1 Ph		
13		Access Valve		
13a	000006408	Fitting - Access Valve		
13b	000006409	Core - Access Valve		
13c	000006410	Cap - Access Valve		
14	000005754	Reservoir Bracket		
15		Screws		
15a	000009040	Screw - M5 x 10TC		[4]
15b	000009041	Screw - 3.9 x 13TC		[4]
16	000008761	Filter		
17		Backflow Preventer		
17a	000009971	Backflow Preventer 60 Hz - 3/8"		
17b	000009972	Backflow Preventer 50 Hz - 3/4"		

PART NOTES:

- [1] - Includes Reservoir, Hoses, Clamps, Drain Tap & Two Microswitches
- [2] - Before Serial Number M05995632012 must order 000011624 (bin thermostat AND ice chute with bulb holder).
- [3] - Discontinued
- [4] - No Longer Available

RFS1200C, RCU1075

RFS1200C PANELS



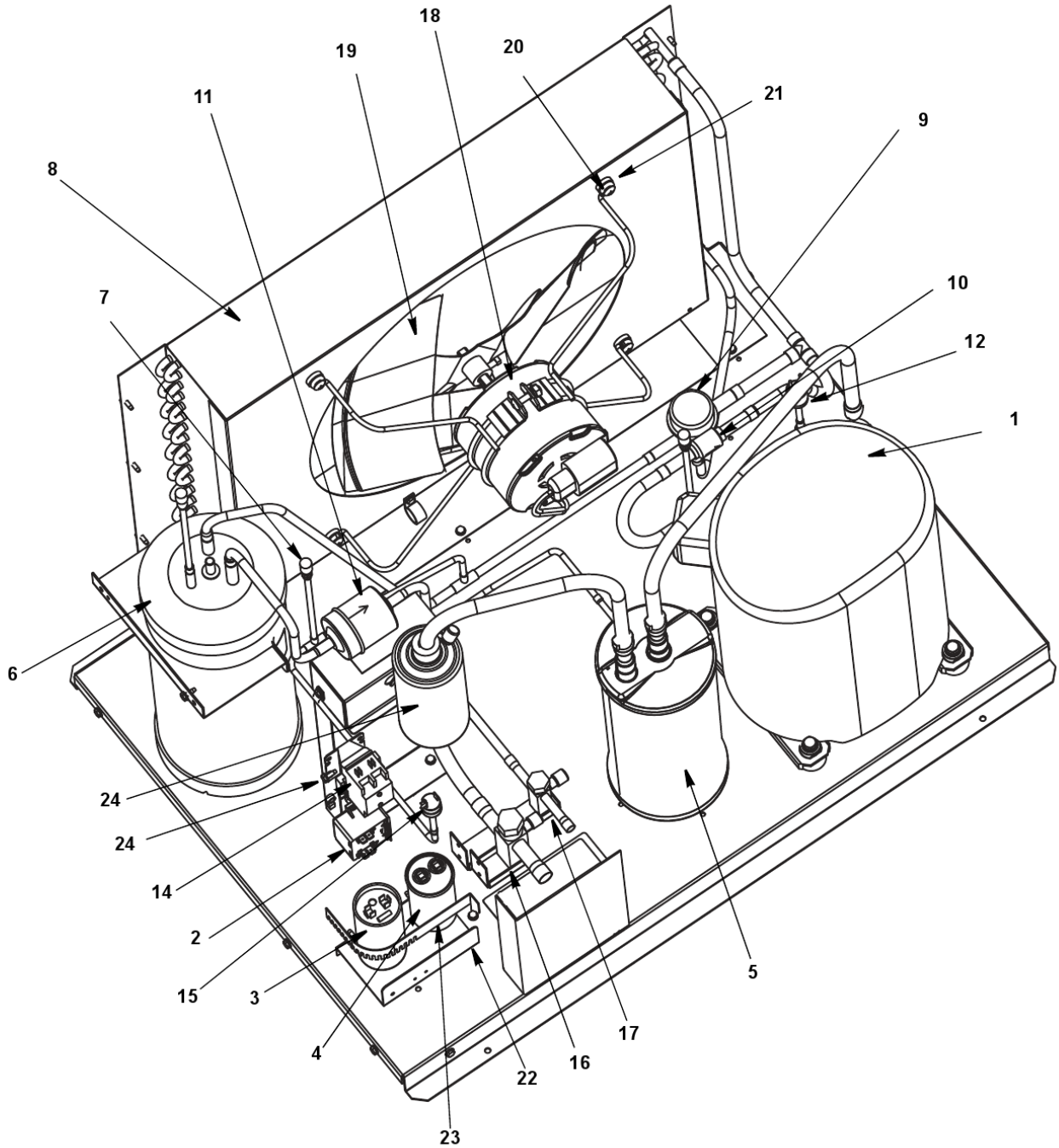
RFS1200C, RCU1075

RFS1200C PANELS

#	PART #	DESCRIPTION	QTY	Note
1	000009983	Top Panel		
2		Back Panel		
2a	000009984	Back Panel - 208-230V/60 Hz/1 Ph		
2b	000010418	Back Panel - 230V/50 Hz/1 Ph		
3	000008768	Left Side Panel		
4	000008757	Right Side Panel		
5	000009985	Front Panel Assembly		
6	000011923	Cartoning		

RFS1200C, RCU1075

RCU1075 REMOTE CONDENSER



RFS1200C, RCU1075

RCU1075 REMOTE CONDENSER

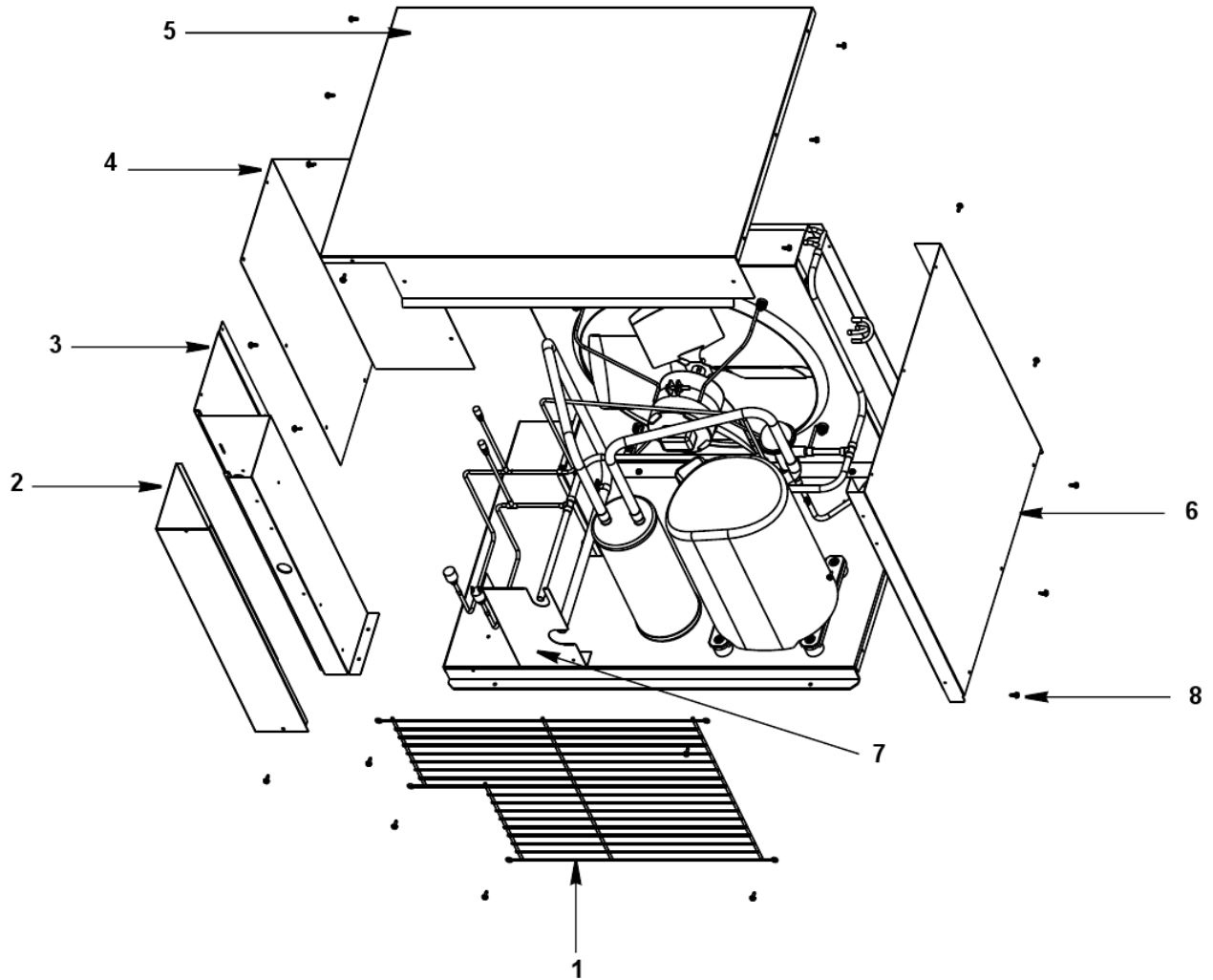
#	PART #	DESCRIPTION	QTY	Note
1		Compressor		
	7602293	Compressor - Copeland - 208-230V/60 Hz/1 Ph		
	7602303	Compressor - Copeland - 208-230V/60 Hz/3 Ph		
2	2007559	Start Potential Relay - 50-60 Hz/1 Ph		
3	000006454	Start Capacitor - 50-60 Hz/1 Ph		
4	2010133	Run Capacitor - 115-230V/50-60 Hz/1 Ph		
5	000007280	Suction Accumulator		
6	7629573	Receiver		
7	8373253	Access Valve		
8	8851453	Air-cooled Condenser		
9	000002369	Head Pressure Control Valve		
10	000001289	Check Valve		
11	8930279	Drier		
12	2001243	High Pressure Cut-out		
13	2001263	Fan Cycling Control - 200-250 psig		[1]
14		Contactator		
14a	2006609	Contactator - 208-230V/50-60 Hz/1 Ph		
14b	2006619	Contactator - 230V/60 Hz/3 Ph		
15	2002229	Low Pressure Cut-out		
16	8373303	Manual Shut-off Valve - 0.625"		
17	8373293	Manual Shut-off Valve - 0.375"		
18	2000189	Fan Motor - 208-230V/60 Hz/1-3 Ph		
19	2416303	Fan Blade		
20	3006823	Fan Motor Mounting Bracket		
21	5429559	Mounting - Rubber Wellnut		
22	6034981	Capacitor Mounting Bracket		
23	6021601	Capacitor Mounting Strap		
24	5650659	Cable Tie with Mounting Hole		
25	8250539	Suction Line Filter		
26		Wiring Harness		[2]
26a	000006532	Wiring Harness - 230V/60 Hz/1 Ph		
26b	2033089	Wiring Harness - 230V/60 Hz/3 Ph		
26c	000007729	Fan Cycle Control		
26d	000007425	Wiring Harness - Heater/Therm		
27	6000561	Receiver Mounting Bracket		[2]
28	2007619	Copeland Plug Assembly Wiring Harness, 230V/50-60Hz/1-3 Ph		[2]

PART NOTES:

- [1] - \pages from 200126_09.jpg" width=150 height=306>
- [2] - Not Shown

RFS1200C, RCU1075

RCU1075 CONDENSING UNIT PANELS



RFS1200C, RCU1075

RCU1075 CONDENSING UNIT PANELS

#	PART #	DESCRIPTION	QTY	Note
1	3406893	Condenser Fan Guard		
2	6040171	Control Box Cover		
3	000009054	Control Box Panel		
4	6037051	Left Side Panel		
5	6034751	Cover Top		
6	6034701	Right Side Panel		
7	6042261	Condensing Unit Tube Shield		
8	5202069	Screw - #10-24 x 0.50" HEX		
9	000000768	Cartoning		