



HOSHIZAKI

Parts List

Modular Crescent Cuber
Serenity Series

Models
KMS-1122MLH



hoshizakiamerica.com

Number: 71345
Issued: 2-7-2013
Revised: 3-23-2017

CONTENTS

Auxiliary Codes.....	3
Note About Ordering Parts	3
A. Ice Cuber Assembly and Refrigeration Circuit.....	4
B. Water Circuit	6
C. Control Box Assembly	8
D. Accessories & Labels	9

Auxiliary Codes

KMS-1122MLH

B-0	August 2012
C-0	January 2013
C-1	August 2013
D-0	January 2014
E-0	April 2015
F-0	January 2016
G-0	January 2017

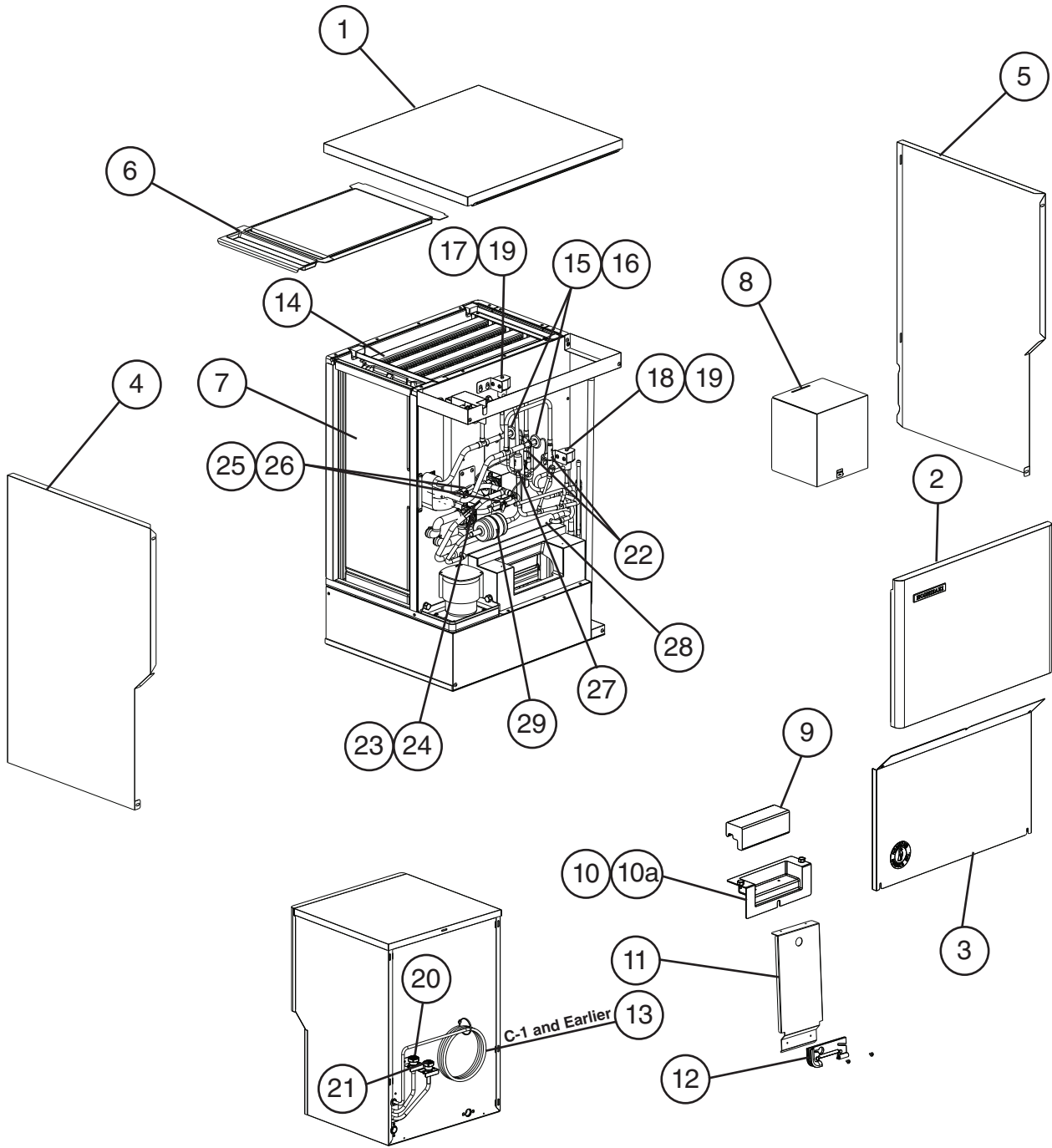
Auxiliary Code Breakdown

The auxiliary code is the first two characters in the serial number. The first character indicates the year. Years progress or regress in alphabetical order. The series runs from "A" through "V" and the letters "I" and "O" are skipped. The second character indicates significant part changes within a year. Base is "0" and this number advances for each change. In cases where there is a letter in parentheses, this designates the month. This is the last character in the serial number. The series runs from "(A)" through "(M)" and the letter "(I)" is skipped. This designation is only included when identifying a parts change within an auxiliary code.

Note About Ordering Parts

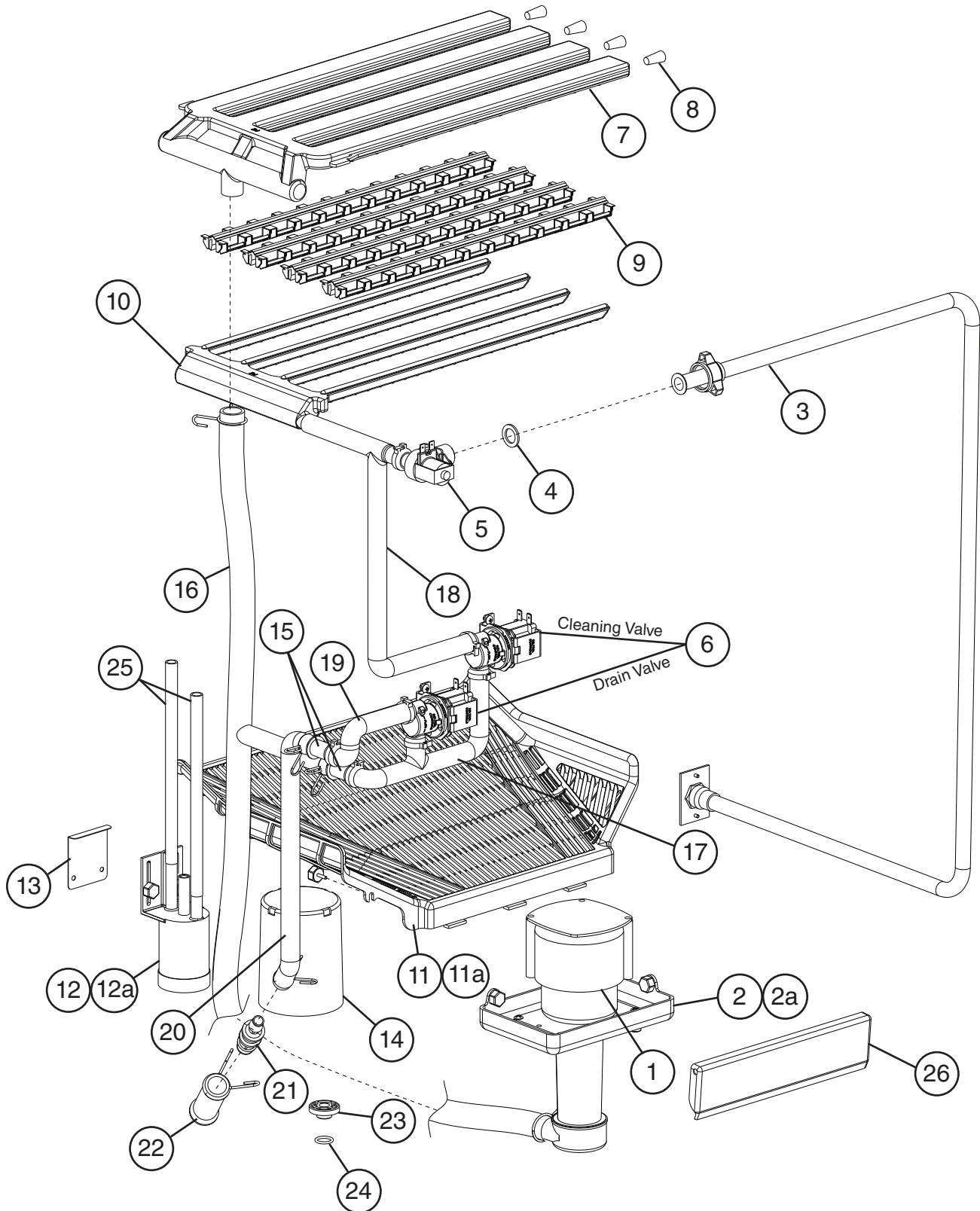
Most assemblies cannot be ordered as complete units; parts in the assemblies generally must be ordered separately.

A. Ice Cuber Assembly and Refrigeration Circuit
KMS-1122MLH
 B-0 to G-0



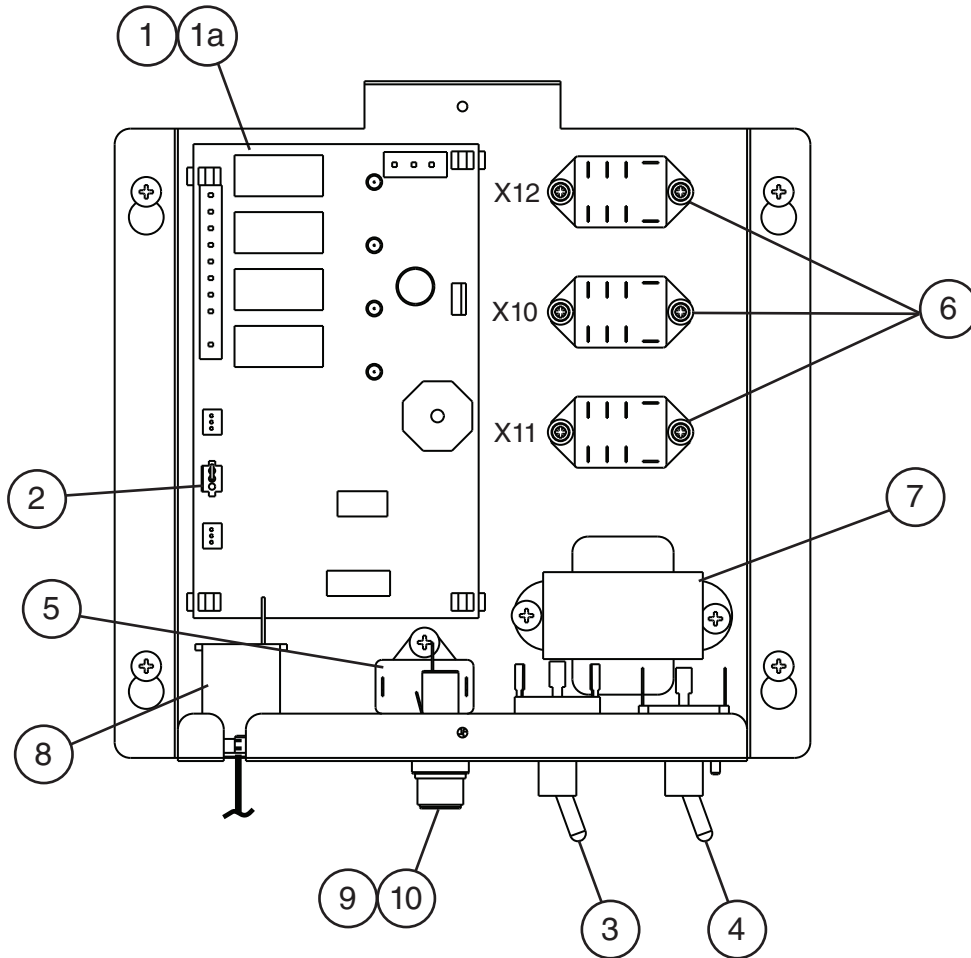
Title: A. Ice Cuber Assembly and Refrigeration Circuit Model: KMS-1122MLH													
Index No.	Description	Material or Model Number	Part Number	Required Number									
				B-0 C-0	C-1 to G-0								
Ice Cuber Assembly													
1	Top Panel		1A2536-01	1	1								
2	Front Panel		1A2535-01	1	1								
3	Apron Panel		1A2539-01	1	1								
4	Left Side Panel		1A2537-01	1	1								
5	Right Side Panel		1A2538-01	1	1								
6	Top Insulation Panel		3A7183G01	1	1								
7	Side Insulation Panel		3A7154G01	1	1								
8	Control Box Cover		3A7231-01	1	1								
9	Bin Control Insulation		4A3068-01	1	1								
10	Bin Control Cover		3A2642-01	1	1								
10a	Thumbscrew		415949G10	2	2								
11	Bin Control Bracket		3A7276-01	1	1								
12	Bin Control Bulb Holder		3A3903-01	1	1								
13	Wire Harness		469256G01	1	-								
Refrigeration Circuit													
14	Evaporator Assembly		1A2807A01	1	1								
15	Thermostatic Expansion Valve		4A4008-01	2	2								
16	Thermostatic Expansion Valve Cover		3A0944-01	2	2								
17	Hot Gas Valve Body		4A3978-01	1	1								
18	Liquid Line Valve Body		4A3276-01	1	1								
19	Valve Coil		4A3277-01	2	2								
20	Suction Line Coupling		4A3826-01	1	1								
21	Liquid Line Coupling		434072-01	1	1								
22	Check Valve		4A2054-01	2	2								
23	Thermistor		429006-03	1	1								
24	Thermistor Holder		427430-01	1	1								
25	Thermostatic Expansion Valve Bulb Holder		3A0107-01	2	2								
26	Clamp		443461-02	2	2								
27	Strainer		441569-02	1	1								
28	Heat Exchanger		4A3754-01	1	1								
29	Drier		4A2663-01	1	1								

B. Water Circuit
KMS-1122MLH
B-0 to G-0



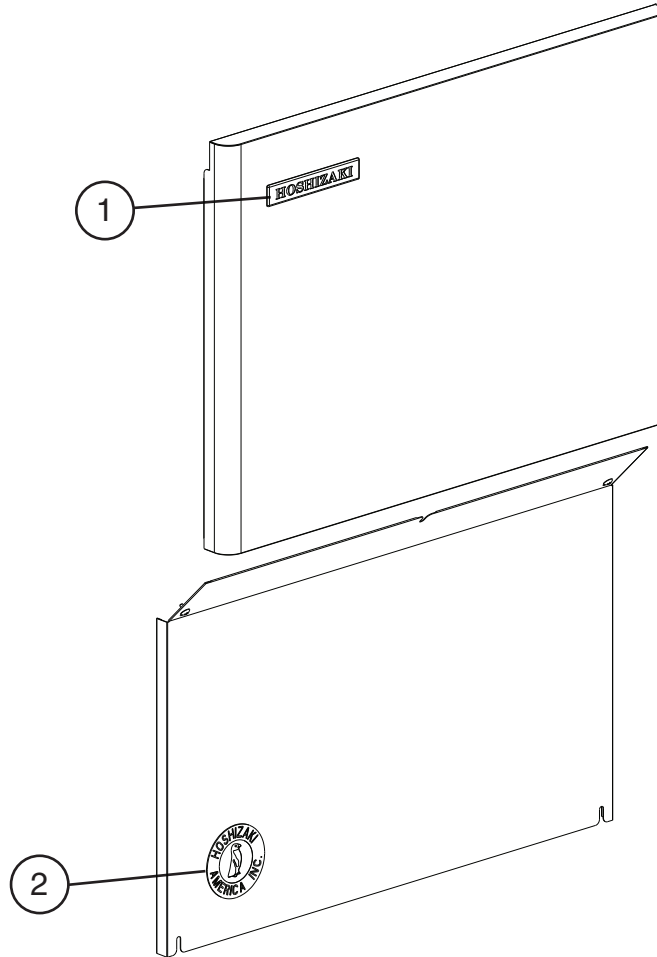
Title: B. Water Circuit Model: KMS-1122MLH												
Index No.	Description	Material or Model Number	Part Number	B-0 to G-0	Required Number							
1	Pump Motor		4A4259-01	1								
2	Pump Motor Bracket		3A7228G01	1								
2a	Thumbscrew		415949G08	2								
3	Water Supply Pipe		3A7130G01	1								
4	Rubber Gasket		413854-03	1								
5	Inlet Water Valve		4A5251-08	1								
6	Cleaning Valve/Drain Valve		4A5530-01	2								
7	Spray Tube		1A2554-01	1								
8	Spray Tube Plug		4A0176-01	4								
9	Spray Guide		258313P03	4								
10	Water Supply Tube		1A2555-01	1								
11	Cube Guide		1A2553-01	1								
11a	Thumbscrew		415949G08	1								
12	Float Switch		4A5509-02	1								
12a	Thumbscrew		415949G08	2								
13	Float Switch Stop		4A5536-01	1								
14	Overflow Cap		323978-01	1								
15	Pipe E		4A3765-02	2								
16	Pump Hose		3A7147-01	1								
17	Cleaning Hose A		3A7150-01	1								
18	Cleaning Hose B		3A7151-01	1								
19	Drain Hose A		3A7148-01	1								
20	Drain Hose B		3A7149-01	1								
21	Barb Coupling		4A5529-01	1								
22	Drain Hose		325869-02	1								
23	Drain Plug		309246-01	1								
24	O-Ring		7611-P015	1								
25	Silicone Hose	L=225	7730I3812	2								
26	Splash Curtain		3A7180-01	1								
Hose Clamps												
	Hose Clamp	25 mm	427443-03	1								
	Hose Clamp	18 mm	427443-05	3								
	Hose Clamp	27 mm	427443-08	2								
	Hose Clamp	17 to 21mm, Nylon	4A2017-05	7								

C. Control Box Assembly
KMS-1122MLH
 B-0 to G-0



Title: C. Control Box Assembly Model: KMS-1122MLH					Required Number								
Index No.	Description	Material or Model Number	Part Number	B-0 to G-0									
1	"G" Control Board		2A3792-01	1									
1a	Control Board Support		4A0336-03	4									
2	K4 Jumper		4A4883G01	1									
3	Control Switch		443119-01	1									
4	Service Switch		4A0985-01	1									
5	Pump Motor Capacitor	2.5MFD, 250VAC	4A2128-05	1									
6	X10, X11, X12 Relay		406132-07	3									
7	Control Transformer		3A0172-01	1									
8	Bin Control Thermostat		4A2879-01	1									
9	Fuse Holder		4A5443-01	1									
10	Fuse	10A, 250VAC	4A0893-07	1									

D. Accessories & Labels
KMS-1122MLH
 B-0 to G-0



Title: D. Accessories & Labels Model: KMS-1122MLH											
Index No.	Description	Material or Model Number	Part Number	Required Number							
				B-0 to G-0							
1	Hoshizaki Emblem Label		4A0560-01	1							
2	Penguin Label		4A0526-01	1							
3	Universal Brace		4A0363-01	2							
	2" Offset Brace		4A5544-01	2							
3a	Hex Head Bolt	5x12, SS	7B02-0512	2							
3b	Self-Tapping Bolt		7P111234	2							