

# Hoshizaki America, Inc.

## Low-Profile Modular Crescent Cuber

### Models

KML-63 IMAH

KML-63 IMWH

KML-63 IMRH



“A Superior Degree  
of Reliability”

[www.hoshizaki.com](http://www.hoshizaki.com)

## PARTS LIST



Number: 71263  
Issued: 5-1-2007  
Revised: 9-14-2015

## CONTENTS

|  |    |
|--|----|
| Auxiliary Codes.....                           | 3  |
| Note About Ordering Parts .....                | 3  |
| A. Main Assembly & Refrigeration Circuit ..... | 4  |
| KML-631MAH.....                                | 4  |
| KML-631MWH.....                                | 6  |
| KML-631MRH.....                                | 8  |
| B. Water Circuit .....                         | 10 |
| C. Control Box Assembly .....                  | 12 |
| D. Accessories & Labels .....                  | 15 |

## Auxiliary Codes

|                   |     |                |                   |     |                |
|-------------------|-----|----------------|-------------------|-----|----------------|
| <b>KML-631MAH</b> | S-1 | May 2007       | <b>KML-631MRH</b> | S-1 | May 2007       |
|                   | S-2 | December 2007  |                   | S-2 | December 2007  |
|                   | T-0 | January 2008   |                   | T-0 | February 2008  |
|                   | U-0 | January 2009   |                   | U-0 | January 2009   |
|                   | U-1 | July 2009      |                   | U-1 | July 2009      |
|                   | V-0 | January 2010   |                   | V-0 | January 2010   |
|                   | V-1 | July 2010      |                   | V-1 | July 2010      |
|                   | A-0 | January 2011   |                   | A-1 | September 2011 |
|                   | A-1 | September 2011 |                   | B-0 | January 2012   |
|                   | B-0 | January 2012   |                   | C-0 | January 2013   |
|                   | B-1 | December 2012  |                   | C-1 | July 2013      |
|                   | C-0 | January 2012   |                   | D-0 | January 2014   |
|                   | C-1 | July 2013      |                   | D-1 | October 2014   |
|                   | D-0 | January 2014   |                   | E-0 | January 2015   |
|                   | E-0 | January 2015   |                   |     |                |
| <b>KML-631MWH</b> | S-0 | November 2007  |                   |     |                |
|                   | T-0 | February 2008  |                   |     |                |
|                   | U-0 | March 2009     |                   |     |                |
|                   | U-1 | July 2009      |                   |     |                |
|                   | V-0 | January 2010   |                   |     |                |
|                   | V-1 | July 2010      |                   |     |                |
|                   | A-0 | January 2011   |                   |     |                |
|                   | A-1 | September 2011 |                   |     |                |
|                   | B-0 | February 2012  |                   |     |                |
|                   | C-0 | January 2013   |                   |     |                |
|                   | C-1 | July 2013      |                   |     |                |

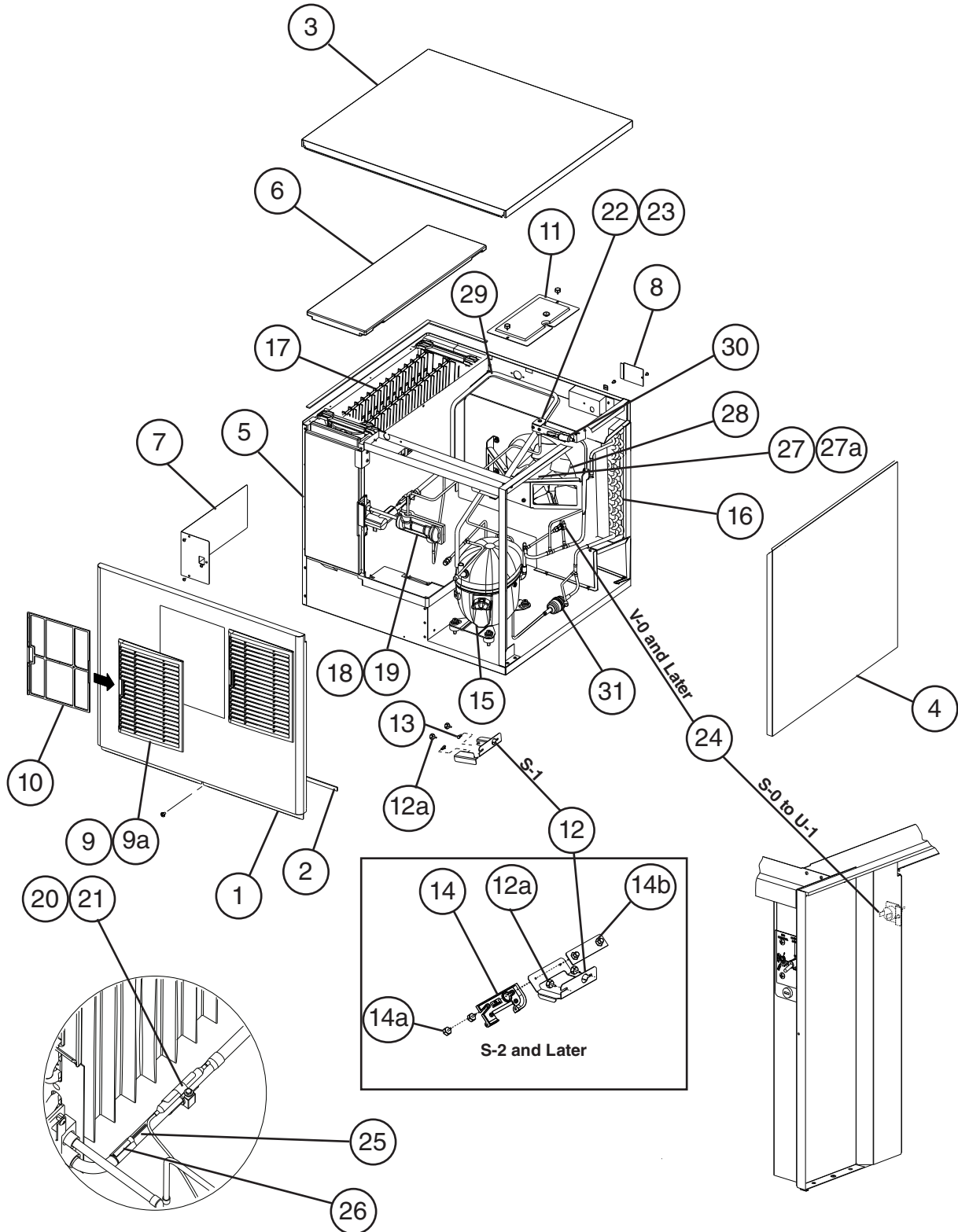
## Auxiliary Code Breakdown

The auxiliary code is the first two characters in the serial number. The first character indicates the year. Years progress or regress in alphabetical order. The series runs from "A" through "V" and the letters "I" and "O" are skipped. The second character indicates significant part changes within a year. Base is "0" and this number advances for each change. In cases where there is a letter in parentheses, this designates the month. This is the last character in the serial number. The series runs from "(A)" through "(M)" and the letter "(I)" is skipped. This designation is only included when identifying a parts change within an auxiliary code.

## Note About Ordering Parts

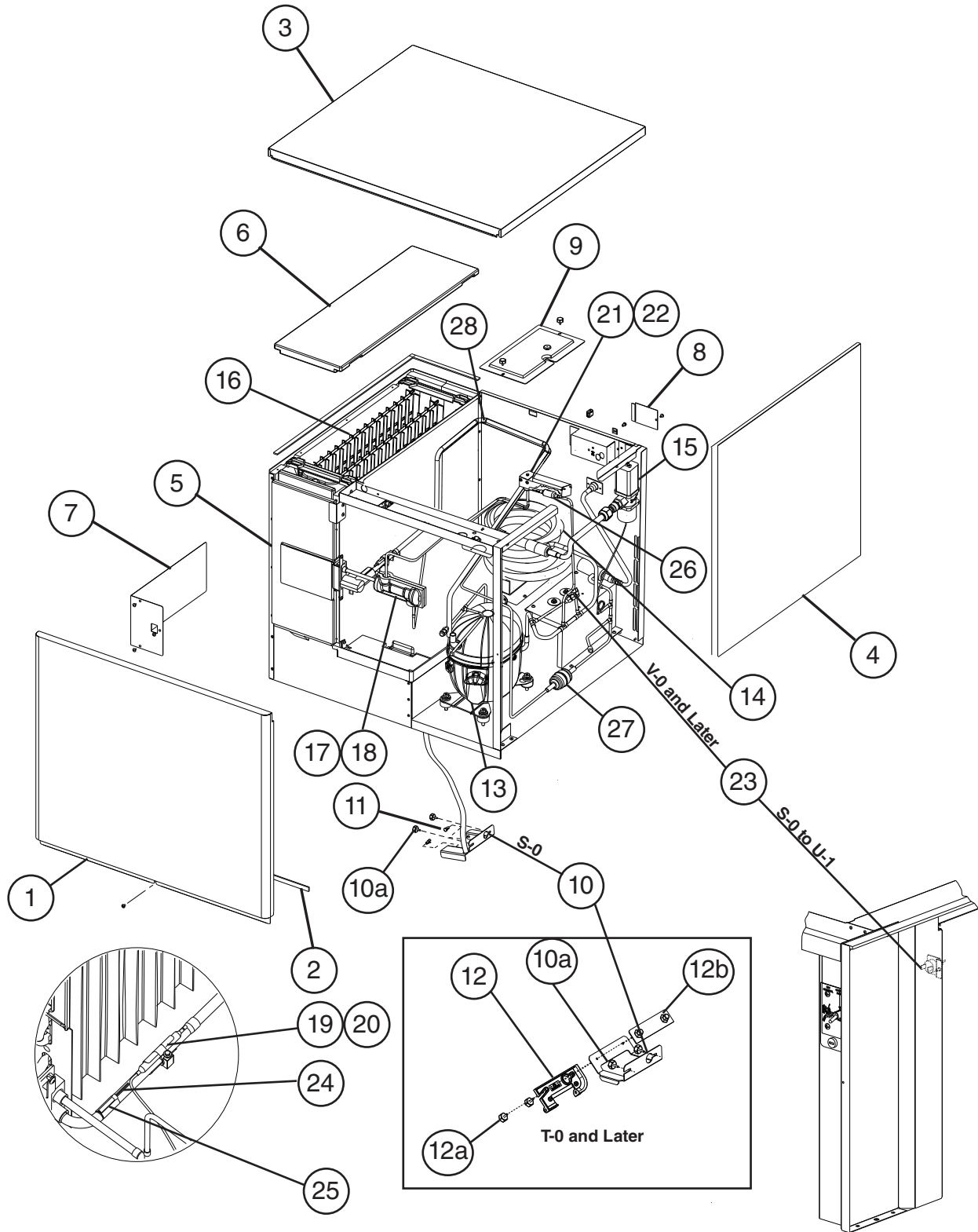
Most assemblies cannot be ordered as complete units; parts in the assemblies generally must be ordered separately.

**A. Main Assembly & Refrigeration Circuit**  
**KML-631MAH**  
 S-1 to E-0



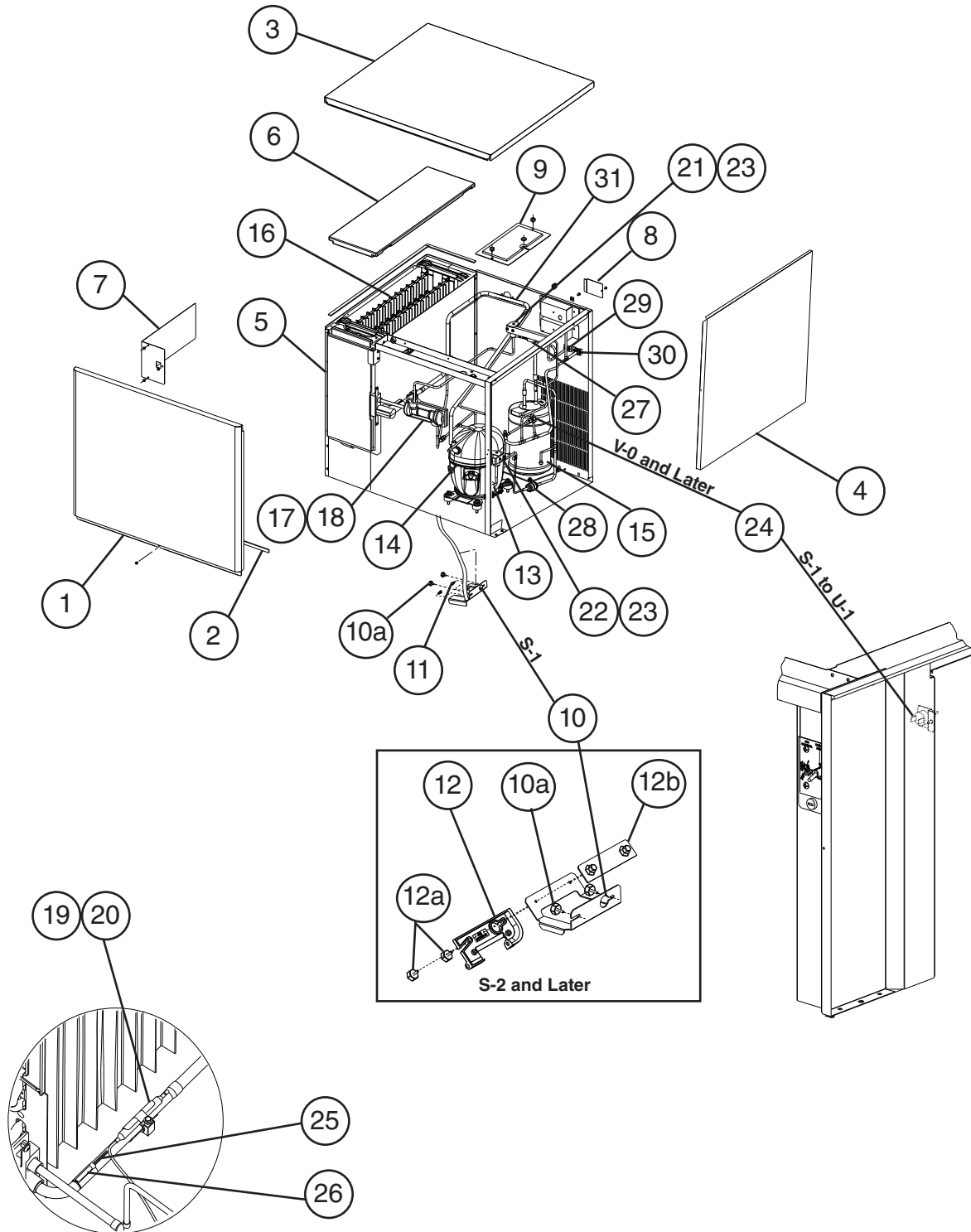
| Title: A. Main Assembly & Refrigeration Circuit Model: KML-631MAH |  |                          |             |                 |            |            |            |  |  |  |  |  |
|---|--|--------------------------|-------------|-----------------|------------|------------|------------|--|--|--|--|--|
| Index No.   | Description                              | Material or Model Number | Part Number | Required Number |            |            |            |  |  |  |  |  |
|   |  |                          |             | S-1             | S-2 to U-1 | V-0 to C-0 | C-1 to E-0 |  |  |  |  |  |
| <b>Main Assembly</b>  |  |                          |             |                 |            |            |            |  |  |  |  |  |
| 1   | Front Panel                              |                          | 3A4001A01   | 1               | 1          | 1          | 1          |  |  |  |  |  |
| 2   | Gasket                                   |                          | 4A0808L02   | 1               | 1          | 1          | 1          |  |  |  |  |  |
| 3   | Top Panel                                |                          | 3A1862A01   | 1               | 1          | 1          | 1          |  |  |  |  |  |
| 4   | Right Side Panel                         |                          | 2A2114G01   | 1               | 1          | 1          | 1          |  |  |  |  |  |
| 5   | Front Insulation                         |                          | 2A0664G02   | 1               | 1          | 1          | 1          |  |  |  |  |  |
| 6   | Top Insulation                           |                          | 215730G01   | 1               | 1          | 1          | 1          |  |  |  |  |  |
| 7   | Control Box Cover                        |                          | 3A2371-01   | 1               | 1          | 1          | 1          |  |  |  |  |  |
| 8   | Junction Box Cover                       |                          | 433410-01   | 1               | 1          | 1          | 1          |  |  |  |  |  |
| 9   | Louver                                   |                          | 1A0548-01   | 2               | 2          | 2          | 2          |  |  |  |  |  |
| 9a  | Push Retainer                            |                          | 4A2414-01   | 6               | 6          | 6          | 6          |  |  |  |  |  |
| 10  | Air Filter                               |                          | 2A2063G01   | 2               | 2          | 2          | 2          |  |  |  |  |  |
| 11  | Bin Control Cover                        |                          | 3A0664G01   | 1               | 1          | 1          | 1          |  |  |  |  |  |
| 12  | Bin Control Thermostat Extension Bracket |                          | 4A3436-01   | 1               | -          |            |            |  |  |  |  |  |
|   |  |                          | 4A4358-01   |                 | 1          | 1          | 1          |  |  |  |  |  |
| 12a   | Thumbscrew                               |                          | 415949G10   | 2               | 2          | 2          | 2          |  |  |  |  |  |
| 13  | Spacer                                   |                          | 443545-01   | 2               | -          |            |            |  |  |  |  |  |
| 14  | Bin Control Bulb Holder                  |                          | 3A3903-01   |                 | 1          | 1          | 1          |  |  |  |  |  |
| 14a   | Thumbscrew                               |                          | 415949G11   |                 | 2          | 2          | 2          |  |  |  |  |  |
| 14b   | NSF Plate                                |                          | 4A4401G01   |                 | 1          | 1          | 1          |  |  |  |  |  |
| <b>Refrigeration Circuit</b>                                      |  |                          |             |                 |            |            |            |  |  |  |  |  |
| 15  | Compressor                               |                          | 4A4066-01   | 1               | 1          | 1          | -          |  |  |  |  |  |
|   |  |                          | 3A6900-01   |                 |            |            | 1          |  |  |  |  |  |
| 16  | Condenser                                |                          | 1A1245-01   | 1               | 1          | 1          | 1          |  |  |  |  |  |
| 17  | Evaporator                               |                          | 106492G01   | 1               | 1          | 1          | -          |  |  |  |  |  |
|   |  |                          | 1A2322G01   |                 |            |            | 1          |  |  |  |  |  |
| 18  | Thermostatic Expansion Valve             |                          | 4A1482-01   | 1               | 1          | 1          | 1          |  |  |  |  |  |
| 19  | Thermostatic Expansion Valve Cover       |                          | 3A0944-01   | 1               | 1          | 1          | 1          |  |  |  |  |  |
| 20  | Thermostatic Expansion Valve Bulb Holder |                          | 3A0107-01   | 1               | 1          | 1          | 1          |  |  |  |  |  |
| 21  | Clamp                                    |                          | 443461-02   | 1               | 1          | 1          | 1          |  |  |  |  |  |
| 22  | Hot Gas Valve Body                       |                          | 4A3978-01   | 1               | 1          | 1          | 1          |  |  |  |  |  |
| 23  | Valve Coil                               |                          | 4A3277-01   | 1               | 1          | 1          | 1          |  |  |  |  |  |
| 24  | High-Pressure Switch                     |                          | 433441-07   | 1               | 1          | -          |            |  |  |  |  |  |
|   |  |                          | 463180-04   |                 |            | 1          | 1          |  |  |  |  |  |
| 25  | Thermistor                               |                          | 429006-03   | 1               | 1          | 1          | 1          |  |  |  |  |  |
| 26  | Thermistor Holder                        |                          | 427430-01   | 1               | 1          | 1          | 1          |  |  |  |  |  |
| 27  | Fan Motor                                |                          | 4A3158-01   | 1               | 1          | 1          | 1          |  |  |  |  |  |
| 27a   | Self-Locking Nut                         |                          | 7N2110832   | 1               | 1          | 1          | 1          |  |  |  |  |  |
| 28  | Fan Blade                                |                          | 4A4014-01   | 1               | 1          | 1          | 1          |  |  |  |  |  |
| 29  | Heat Exchanger                           |                          | 2A3876G01   | 1               | 1          | -          |            |  |  |  |  |  |
|   |  |                          | 2A5327G01   |                 |            | 1          | -          |  |  |  |  |  |
|   |  |                          | 1A2973G01   |                 |            |            | 1          |  |  |  |  |  |
| 30  | Strainer                                 |                          | 441569-02   | 1               | 1          | 1          | 1          |  |  |  |  |  |
| 31  | Drier                                    |                          | 4A2666-01   | 1               | 1          | 1          | 1          |  |  |  |  |  |

**A. Main Assembly & Refrigeration Circuit**  
**KML-631MWH**  
 S-0 to E-0



| Title: A. Main Assembly & Refrigeration Circuit Model: KML-631MWH |  |                          |             |                 |         |            |            |  |  |  |  |  |
|---|--|--------------------------|-------------|-----------------|---------|------------|------------|--|--|--|--|--|
| Index No.   | Description                              | Material or Model Number | Part Number | Required Number |         |            |            |  |  |  |  |  |
|   |  |                          |             | S-0             | T-0 U-1 | V-0 to C-0 | C-1 to E-0 |  |  |  |  |  |
| <b>Main Assembly</b>  |  |                          |             |                 |         |            |            |  |  |  |  |  |
| 1   | Front Panel                              |                          | 3A4001A02   | 1               | 1       | 1          | 1          |  |  |  |  |  |
| 2   | Gasket                                   |                          | 4A0808L02   | 1               | 1       | 1          | 1          |  |  |  |  |  |
| 3   | Top Panel                                |                          | 3A1862A01   | 1               | 1       | 1          | 1          |  |  |  |  |  |
| 4   | Right Side Panel                         |                          | 2A2114G01   | 1               | 1       | 1          | 1          |  |  |  |  |  |
| 5   | Front Insulation                         |                          | 2A0664G02   | 1               | 1       | 1          | 1          |  |  |  |  |  |
| 6   | Top Insulation                           |                          | 215730G01   | 1               | 1       | 1          | 1          |  |  |  |  |  |
| 7   | Control Box Cover                        |                          | 3A2371-01   | 1               | 1       | 1          | 1          |  |  |  |  |  |
| 8   | Junction Box Cover                       |                          | 433410-01   | 1               | 1       | 1          | 1          |  |  |  |  |  |
| 9   | Bin Control Cover                        |                          | 3A0664G01   | 1               | 1       | 1          | 1          |  |  |  |  |  |
| 10  | Bin Control Thermostat Extension Bracket |                          | 4A3436-01   | 1               | -       |            |            |  |  |  |  |  |
|   |  |                          | 4A4358-01   |                 | 1       | 1          | 1          |  |  |  |  |  |
| 10a   | Thumbscrew                               |                          | 415949G10   | 2               | 2       | 2          | 2          |  |  |  |  |  |
| 11  | Spacer                                   |                          | 443545-01   | 2               | -       |            |            |  |  |  |  |  |
| 12  | Bin Control Bulb Holder                  |                          | 3A3903-01   |                 | 1       | 1          | 1          |  |  |  |  |  |
| 12a   | Thumbscrew                               |                          | 415949G11   |                 | 2       | 2          | 2          |  |  |  |  |  |
| 12b   | NSF Plate                                |                          | 4A4401G01   |                 | 1       | 1          | 1          |  |  |  |  |  |
| <b>Refrigeration Circuit</b>                                      |  |                          |             |                 |         |            |            |  |  |  |  |  |
| 13  | Compressor                               |                          | 4A4066-01   | 1               | 1       | 1          | -          |  |  |  |  |  |
|   |  |                          | 3A6900-01   |                 |         |            | 1          |  |  |  |  |  |
| 14  | Condenser                                |                          | 2A2359G03   | 1               | 1       | 1          | -          |  |  |  |  |  |
|   |  |                          | 3A7323-01   |                 |         |            | 1          |  |  |  |  |  |
| 15  | Water Regulating Valve                   |                          | 4A0911-07   | 1               | 1       | 1          | 1          |  |  |  |  |  |
| 16  | Evaporator                               |                          | 106492G01   | 1               | 1       | 1          | -          |  |  |  |  |  |
|   |  |                          | 1A2322G01   |                 |         |            | 1          |  |  |  |  |  |
| 17  | Thermostatic Expansion Valve             |                          | 4A1482-01   | 1               | 1       | 1          | 1          |  |  |  |  |  |
| 18  | Thermostatic Expansion Valve Cover       |                          | 3A0944-01   | 1               | 1       | 1          | 1          |  |  |  |  |  |
| 19  | Thermostatic Expansion Valve Bulb Holder |                          | 3A0107-01   | 1               | 1       | 1          | 1          |  |  |  |  |  |
| 20  | Clamp                                    |                          | 443461-02   | 1               | 1       | 1          | 1          |  |  |  |  |  |
| 21  | Hot Gas Valve Body                       |                          | 4A3978-01   | 1               | 1       | 1          | 1          |  |  |  |  |  |
| 22  | Valve Coil                               |                          | 4A3277-01   | 1               | 1       | 1          | 1          |  |  |  |  |  |
| 23  | High-Pressure Switch                     |                          | 433441-05   | 1               | 1       | -          |            |  |  |  |  |  |
|   |  |                          | 463180-05   |                 |         | 1          | 1          |  |  |  |  |  |
| 24  | Thermistor                               |                          | 429006-03   | 1               | 1       | 1          | 1          |  |  |  |  |  |
| 25  | Thermistor Holder                        |                          | 427430-01   | 1               | 1       | 1          | 1          |  |  |  |  |  |
| 26  | Strainer                                 |                          | 441569-02   | 1               | 1       | 1          | 1          |  |  |  |  |  |
| 27  | Drier                                    |                          | 4A2666-01   | 1               | 1       | 1          | 1          |  |  |  |  |  |
| 28  | Heat Exchanger                           |                          | 2A3876G01   | 1               | 1       | -          |            |  |  |  |  |  |
|   |  |                          | 2A5327G01   |                 |         | 1          | -          |  |  |  |  |  |
|   |  |                          | 1A2973G01   |                 |         |            | 1          |  |  |  |  |  |

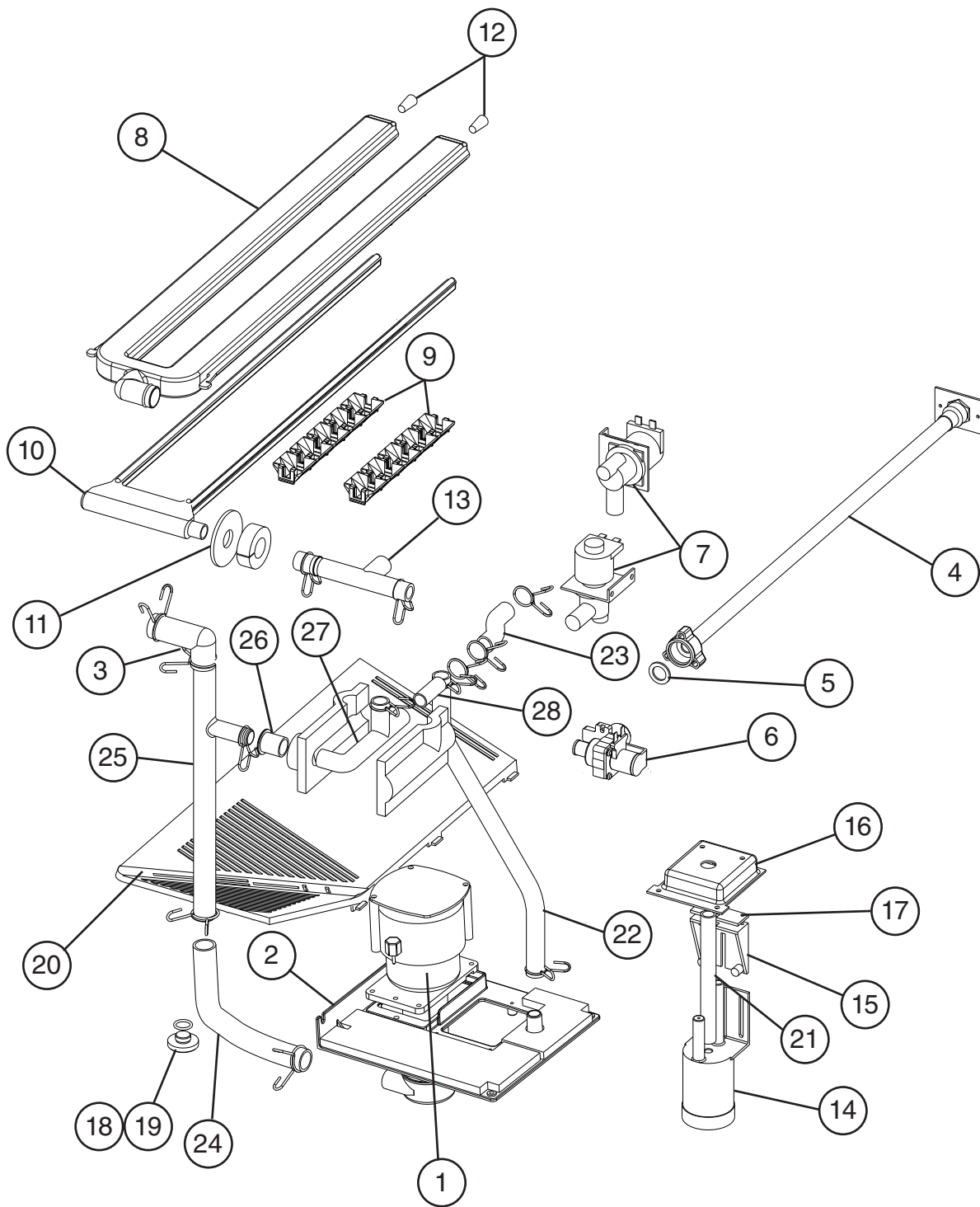
**A. Main Assembly & Refrigeration Circuit**  
**KML-631MRH**  
 S-1 to E-0





| Title: A. Main Assembly & Refrigeration Circuit Model: KML-631MRH |  |                          |             |                 |         |            |            |  |  |  |  |  |
|---|--|--------------------------|-------------|-----------------|---------|------------|------------|--|--|--|--|--|
| Index No.   | Description                              | Material or Model Number | Part Number | Required Number |         |            |            |  |  |  |  |  |
|   |  |                          |             | S-1             | S-2 U-1 | V-0 to C-0 | C-1 to E-0 |  |  |  |  |  |
| <b>Main Assembly</b>  |  |                          |             |                 |         |            |            |  |  |  |  |  |
| 1   | Front Panel                              |                          | 3A4001A02   | 1               | 1       | 1          | 1          |  |  |  |  |  |
| 2   | Gasket                                   |                          | 4A0808L02   | 1               | 1       | 1          | 1          |  |  |  |  |  |
| 3   | Top Panel                                |                          | 3A1862A01   | 1               | 1       | 1          | 1          |  |  |  |  |  |
| 4   | Right Side Panel                         |                          | 2A2114G01   | 1               | 1       | 1          | 1          |  |  |  |  |  |
| 5   | Front Insulation                         |                          | 2A0664G02   | 1               | 1       | 1          | 1          |  |  |  |  |  |
| 6   | Top Insulation                           |                          | 215730G01   | 1               | 1       | 1          | 1          |  |  |  |  |  |
| 7   | Control Box Cover                        |                          | 3A2371-01   | 1               | 1       | 1          | 1          |  |  |  |  |  |
| 8   | Junction Box Cover                       |                          | 433410-01   | 2               | 2       | 2          | 2          |  |  |  |  |  |
| 9   | Bin Control Cover                        |                          | 3A0664G01   | 1               | 1       | 1          | 1          |  |  |  |  |  |
| 10  | Bin Control Thermostat Extension Bracket |                          | 4A3436-01   | 1               | -       |            |            |  |  |  |  |  |
|   |  |                          | 4A4358-01   |                 |         | 1          | 1          |  |  |  |  |  |
| 10a   | Thumbscrew                               |                          | 415949G10   | 2               | 2       | 2          |            |  |  |  |  |  |
| 11  | Spacer                                   |                          | 443545-01   | 2               | -       |            |            |  |  |  |  |  |
| 12  | Bin Control Bulb Holder                  |                          | 3A3903-01   |                 | 1       | 1          | 1          |  |  |  |  |  |
| 12a   | Thumbscrew                               |                          | 415949G11   |                 | 2       | 2          | 2          |  |  |  |  |  |
| 12b   | NSF Plate                                |                          | 4A4401G01   |                 | 1       | 1          | 1          |  |  |  |  |  |
| <b>Refrigeration Circuit</b>                                      |  |                          |             |                 |         |            |            |  |  |  |  |  |
| 13  | Compressor                               |                          | 4A4066-01   | 1               | 1       | 1          | -          |  |  |  |  |  |
|   |  |                          | 3A6900-01   |                 |         |            | 1          |  |  |  |  |  |
| 14  | Crankcase Heater                         |                          | 434924-01   | 1               | 1       | 1          | -          |  |  |  |  |  |
|   |  |                          | 4A5091-01   |                 |         |            | 1          |  |  |  |  |  |
| 15  | Receiver                                 |                          | 437652-01   | 1               | 1       | 1          | 1          |  |  |  |  |  |
| 16  | Evaporator                               |                          | 106492G01   | 1               | 1       | 1          | -          |  |  |  |  |  |
|   |  |                          | 1A2322G01   |                 |         |            | 1          |  |  |  |  |  |
| 17  | Thermostatic Expansion Valve             |                          | 4A1482-01   | 1               | 1       | 1          | 1          |  |  |  |  |  |
| 18  | Thermostatic Expansion Valve Cover       |                          | 3A0944-01   | 1               | 1       | 1          | 1          |  |  |  |  |  |
| 19  | Thermostatic Expansion Valve Bulb Holder |                          | 3A0107-01   | 1               | 1       | 1          | 1          |  |  |  |  |  |
| 20  | Clamp                                    |                          | 443461-02   | 1               | 1       | 1          | 1          |  |  |  |  |  |
| 21  | Hot Gas Valve Body                       |                          | 4A3978-01   | 1               | 1       | 1          | 1          |  |  |  |  |  |
| 22  | Liquid Line Valve Body                   |                          | 4A3276-01   | 1               | 1       | 1          | 1          |  |  |  |  |  |
| 23  | Valve Coil                               |                          | 4A3277-01   | 2               | 2       | 2          | 2          |  |  |  |  |  |
| 24  | High-Pressure Switch                     |                          | 433441-07   | 1               | 1       | -          |            |  |  |  |  |  |
|   |  |                          | 463180-04   |                 |         | 1          | 1          |  |  |  |  |  |
| 25  | Thermistor                               |                          | 429006-03   | 1               | 1       | 1          | 1          |  |  |  |  |  |
| 26  | Thermistor Holder                        |                          | 427430-01   | 1               | 1       | 1          | 1          |  |  |  |  |  |
| 27  | Strainer                                 |                          | 441569-02   | 1               | 1       | 1          | 1          |  |  |  |  |  |
| 28  | Drier                                    |                          | 4A2666-01   | 1               | 1       | 1          | 1          |  |  |  |  |  |
| 29  | Liquid Line Coupling                     |                          | 433751G01   | 1               | 1       | 1          | 1          |  |  |  |  |  |
| 30  | Discharge Line Coupling                  |                          | 434136G01   | 1               | 1       | 1          | 1          |  |  |  |  |  |
| 31  | Heat Exchanger                           |                          | 2A3876G02   | 1               | 1       | -          |            |  |  |  |  |  |
|   |  |                          | 2A5327G02   |                 |         | 1          | -          |  |  |  |  |  |
|   |  |                          | 1A2973G02   |                 |         |            | 1          |  |  |  |  |  |

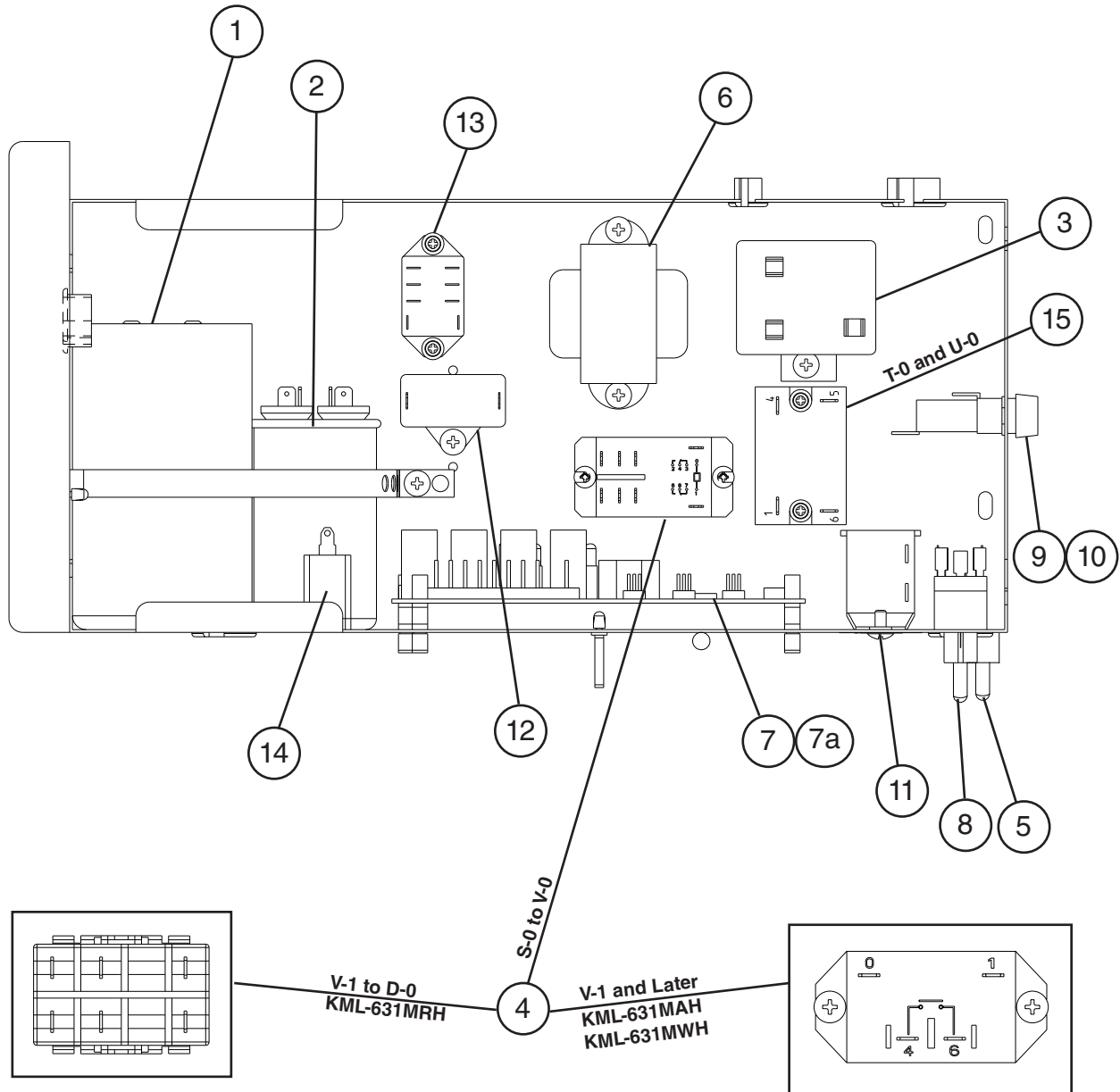
**B. Water Circuit**  
**KML-631M\_H**  
S-0 to E-0



**Title: B. Water Circuit    Model: KML-631M\_H**

| Index No. | Description                               | Material or Model Number | Part Number | Required Number |     |            |                  |                  |                  |  |  |  |  |  |  |
|-----------|---|--------------------------|-------------|-----------------|-----|------------|------------------|------------------|------------------|--|--|--|--|--|--|
|           |   |                          |             | S-0<br>S-1      | S-2 | T-0<br>U-0 | U-1<br>to<br>A-0 | A-1<br>to<br>C-0 | C-1<br>to<br>E-0 |  |  |  |  |  |  |
| 1         | Pump Motor                                |                          | 2A2861-01   | 1               | 1   | -          |                  |                  |                  |  |  |  |  |  |  |
|           |   |                          | 2A4408-01   |                 |     | 1          | -                |                  |                  |  |  |  |  |  |  |
|           |   |                          | 4A4259-01   |                 |     |            | 1                | 1                | 1                |  |  |  |  |  |  |
| 2         | Pump Motor Bracket                        |                          | 2A4920G01   |                 |     |            | 1                | 1                | 1                |  |  |  |  |  |  |
| 3         | Elbow                                     |                          | 4A0393-01   | 1               | 1   | 1          | 1                | 1                | 1                |  |  |  |  |  |  |
| 4         | Water Supply Pipe                         |                          | 4A0768G04   | 1               | 1   | 1          | 1                | 1                | 1                |  |  |  |  |  |  |
| 5         | Rubber Gasket                             |                          | 413854-03   | 1               | 1   | 1          | 1                | 1                | 1                |  |  |  |  |  |  |
| 6         | Inlet Water Valve                         |                          | 3U0111-04   | 1               | 1   | 1          | 1                | 1                | -                |  |  |  |  |  |  |
|           |   |                          | 3U0111-03   |                 |     |            |                  |                  | 1                |  |  |  |  |  |  |
| 7         | Solenoid Valve (Drain and Cleaning Valve) |                          | 439322-01   | 2               | -   |            |                  |                  |                  |  |  |  |  |  |  |
|           |   |                          | 4A3722-01   |                 | 2   | 2          | 2                | 2                | 2                |  |  |  |  |  |  |
| 8         | Spray Tube                                |                          | 1A0260-02   | 1               | 1   | 1          | 1                | 1                | 1                |  |  |  |  |  |  |
| 9         | Spray Guide                               |                          | 208586-01   | 6               | 6   | 6          | 6                | 6                | -                |  |  |  |  |  |  |
|           |   |                          | 2A4282-02   |                 |     |            |                  |                  | 2                |  |  |  |  |  |  |
| 10        | Water Supply Tube                         |                          | 2A0079-01   | 1               | 1   | 1          | 1                | 1                | 1                |  |  |  |  |  |  |
| 11        | Flange                                    |                          | 439267-01   | 1               | 1   | 1          | 1                | 1                | 1                |  |  |  |  |  |  |
| 12        | Plug                                      |                          | 4A0176-01   | 2               | 2   | 2          | 2                | 2                | 2                |  |  |  |  |  |  |
| 13        | Water Supply Tee                          |                          | 4A1006-01   | 1               | 1   | 1          | 1                | 1                | 1                |  |  |  |  |  |  |
| 14        | Float Switch                              |                          | 4A3624-01   | 1               | 1   | 1          | 1                | 1                | 1                |  |  |  |  |  |  |
| 15        | Float Switch Bracket                      |                          | 327757-01   | 1               | 1   | 1          | 1                | 1                | 1                |  |  |  |  |  |  |
| 16        | Float Switch Cover                        |                          | 3A0665-01   | 1               | 1   | 1          | 1                | 1                | 1                |  |  |  |  |  |  |
| 17        | Float Switch Spacer                       |                          | 4A0650-01   | 1               | 1   | 1          | 1                | 1                | 1                |  |  |  |  |  |  |
| 18        | Drain Plug                                |                          | 309246-01   | 1               | 1   | 1          | 1                | 1                | 1                |  |  |  |  |  |  |
| 19        | O-Ring                                    |                          | 7611-P015   | 1               | 1   | 1          | 1                | 1                | 1                |  |  |  |  |  |  |
| 20        | Cube Guide                                |                          | 2A0660-01   | 1               | 1   | 1          | 1                | 1                | 1                |  |  |  |  |  |  |
| 21        | Vinyl Hose                                | L=150 mm                 | 7716-1216   | 1               | 1   | 1          | 1                | 1                | 1                |  |  |  |  |  |  |
| 22        | Vinyl Hose                                | L=415 mm                 | 7716-1519   | 1               | 1   | 1          | 1                | 1                | 1                |  |  |  |  |  |  |
| 23        | Vinyl Hose                                | L=55 mm                  | 7716-1519   | 1               | 1   | 1          | 1                | 1                | 1                |  |  |  |  |  |  |
| 24        | Pump Hose                                 |                          | 4A1007-01   | 1               | 1   | 1          | -                |                  |                  |  |  |  |  |  |  |
|           | Vinyl Hose                                | L=245 mm                 | 7716-2025   |                 |     |            | 1                | -                |                  |  |  |  |  |  |  |
|           | Hose B                                    |                          | 325867-01   |                 |     |            |                  | 1                | 1                |  |  |  |  |  |  |
| 25        | Connecting Pipe                           |                          | 3A1335-02   | 1               | 1   | 1          | 1                | 1                | 1                |  |  |  |  |  |  |
| 26        | Rubber Ring                               |                          | 4A1004-01   | 1               | 1   | 1          | 1                | 1                | 1                |  |  |  |  |  |  |
| 27        | Bypass Hose                               |                          | 4A1005-01   | 1               | 1   | 1          | 1                | 1                | 1                |  |  |  |  |  |  |
| 28        | Joint Pipe                                |                          | 439329-01   | 1               | 1   | 1          | 1                | 1                | 1                |  |  |  |  |  |  |
|           | Hose Clamp                                | 25 mm                    | 427443-03   | 2               | 2   | 2          | 2                | 2                | 2                |  |  |  |  |  |  |
|           | Hose Clamp                                | 18 mm                    | 427443-05   | 9               | 9   | 9          | 9                | 9                | 9                |  |  |  |  |  |  |
|           | Hose Clamp                                | 27 mm                    | 427443-08   | 1               | 1   | 1          | 1                | 1                | 1                |  |  |  |  |  |  |
|           | Hose Clamp                                | 20 mm                    | 427443-06   | 1               | 1   | 1          | 1                | 1                | 1                |  |  |  |  |  |  |

**C. Control Box Assembly**  
**KML-631M\_H**  
**1/2**  
 S-0 to C-0



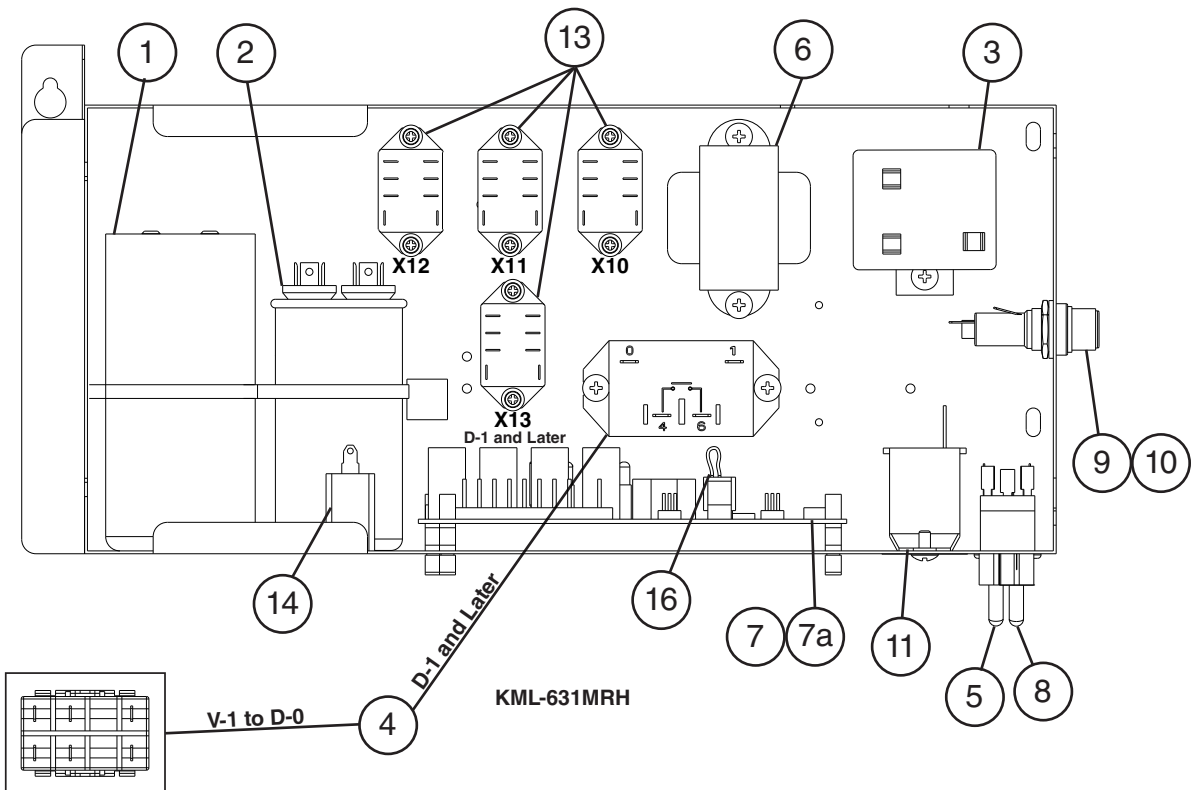
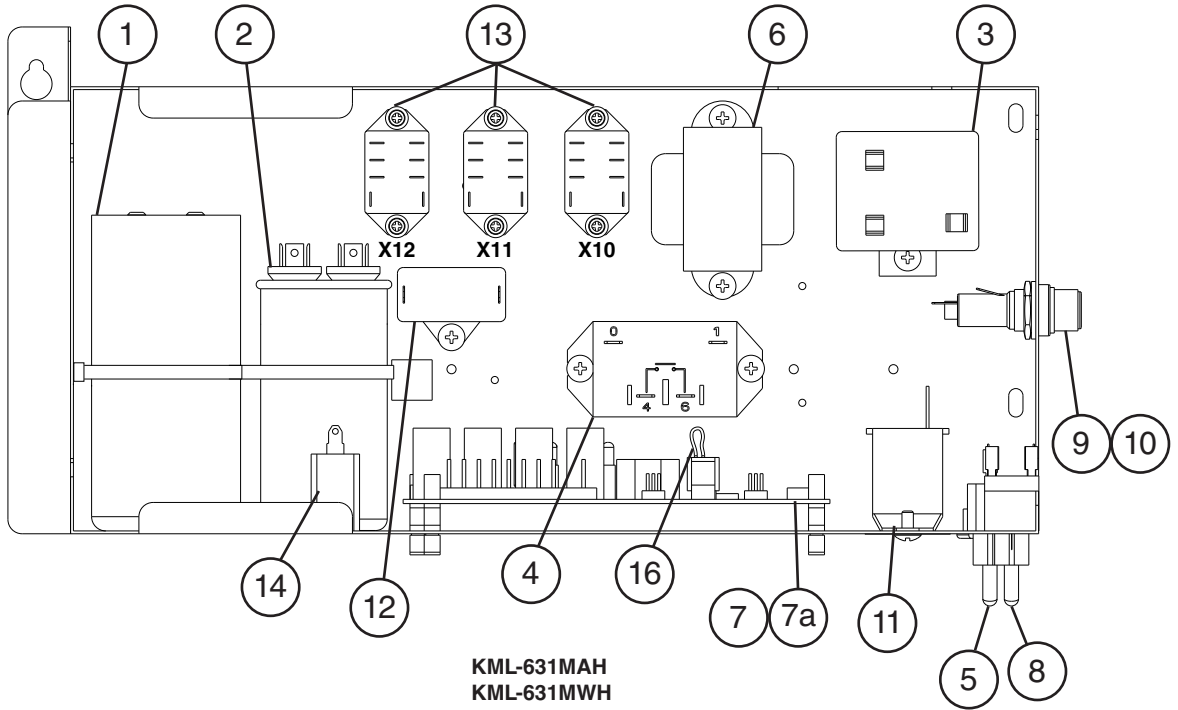
# C. Control Box Assembly

## KML-631M\_H

### 2/2

C-1 to E-0

- X10 - Pump Motor Relay
- X11 - Inlet Water Valve Relay
- X12 - Service Relay
- X13 - Crankcase Heater Relay (**KML-631MRH**)



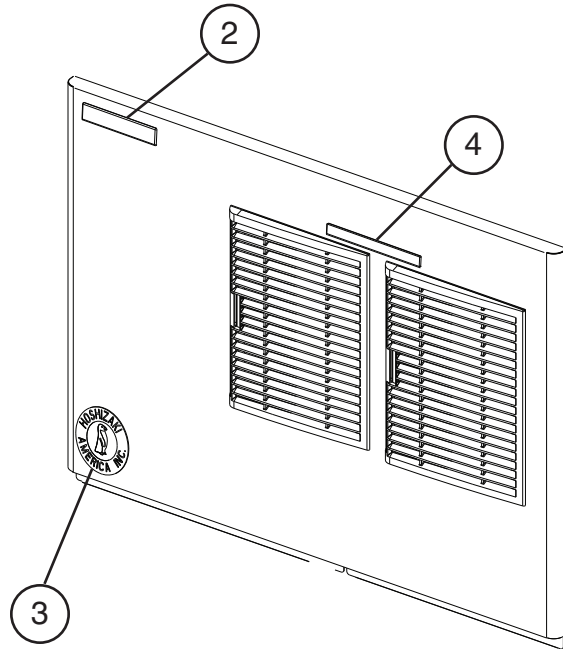
**Title: C. Control Box Assembly Model: KML-631M\_H**

| Index No. | Description                | Material or Model Number               | Part Number       | Required Number |            |            |                  |                  |                  |            |  |  |
|-----------|----------------------------|--|-------------------|-----------------|------------|------------|------------------|------------------|------------------|------------|--|--|
|           |                            |  |                   | S-0<br>S-2      | T-0<br>U-0 | U-1<br>V-0 | V-1<br>to<br>B-0 | B-1<br>to<br>C-0 | C-1<br>to<br>D-0 | D-1<br>E-0 |  |  |
| 1         | Start Capacitor            | 145-175MFD,<br>250VAC                  | 3A0076-01         | 1               | 1          | 1          | 1                | 1                | -                |            |  |  |
|           |                            | 108-130MFD,<br>330VAC                  | 3A0076-22         |                 |            |            |                  |                  | 1                | 1          |  |  |
| 2         | Run Capacitor              | 25MFD,<br>440VAC                       | 3A2005-03         | 1               | 1          | 1          | 1                | 1                | -                |            |  |  |
|           |                            |  | 3A2005-10         |                 |            |            |                  |                  | 1                | 1          |  |  |
| 3         | Start Relay                |  | 4A1107-09         | 1               | 1          | 1          | 1                | 1                | -                |            |  |  |
|           |                            |  | 4A1107-07         |                 |            |            |                  |                  | 1                | 1          |  |  |
| 4         | Magnetic Contactor         | <b>ALL</b>                             | 428393-01         | 1               | 1          | 1          | -                |                  |                  |            |  |  |
|           | Compressor Relay           | <b>KML-631MAH</b><br><b>KML-631MWH</b> | 4A3140-01         |                 |            |            | 1                | 1                | 1                | 1          |  |  |
|           |                            | <b>KML-631MRH</b>                      | 4A5096-01         |                 |            |            | 1                | 1                | 1                | -          |  |  |
|           |                            |  | 4A3140-01         |                 |            |            |                  |                  |                  | 1          |  |  |
| 5         | Service Switch             |  | 4A0895-01         | 1               | 1          | 1          | 1                | 1                | 1                | 1          |  |  |
| 6         | Control Transformer        |  | 3A0172-01         | 1               | 1          | 1          | 1                | 1                | 1                | 1          |  |  |
| 7         | Control Board              | "E" Board                              | 2A1410-01         | 1               | 1          | 1          | 1                | -                |                  |            |  |  |
|           |                            | "G" Board                              | 2A3792-01         |                 |            |            |                  | 1                | 1                | 1          |  |  |
| 7a        | Control Board Support      |  | 4A0336-03         | 4               | 4          | 4          | 4                | 4                | 4                | 4          |  |  |
| 8         | Control Switch             |  | 443119-01         | 1               | 1          | 1          | 1                | 1                | 1                | 1          |  |  |
| 9         | Fuse Holder                |  | 4A5443-01         | 1               | 1          | 1          | 1                | 1                | 1                | 1          |  |  |
| 10        | Fuse                       | AGC-10A,<br>250VAC                     | 4A0893-07         | 1               | 1          | 1          | 1                | 1                | 1                | 1          |  |  |
| 11        | Bin Control Thermostat     |  | 4A2879-01         | 1               | 1          | 1          | 1                | 1                | 1                | 1          |  |  |
| 12        | Fan Motor Capacitor        | <b>KML-631MAH</b><br>5.0MFD,<br>250VAC | 443192-02         | 1               | 1          | 1          | 1                | 1                | 1                | 1          |  |  |
| 13        | Relay (X10, X11, X12, X13) | <b>KML-631MAH</b><br><b>KML-631MWH</b> | 406132-07         | 1               | 1          | 1          | 1                | 1                | 3                | 3          |  |  |
|           |                            |  | <b>KML-631MRH</b> | 1               | 1          | 1          | 1                | 1                | 3                | 4          |  |  |
| 14        | Pump Motor Capacitor       | 2.5MFD,<br>250VAC                      | 4A2128-05         |                 |            | 1          | 1                | 1                | 1                | 1          |  |  |
| 15        | Pump Motor Relay           | 120VAC                                 | 4A1307-01         |                 | 1          | -          |                  |                  |                  |            |  |  |
| 16        | Jumper Connector           |  | 4A4883G01         | 1               | 1          | 1          | 1                | 1                | 1                | 1          |  |  |

## D. Accessories & Labels

### KML-631M\_H

S-0 to E-0



| Title: D. Accessories & Labels    Model: KML-631M_H |                  |                          |             |                 |                |  |  |  |  |  |
|---|------------------|--------------------------|-------------|-----------------|----------------|--|--|--|--|--|
| Index No.   | Description      | Material or Model Number | Part Number | Required Number |                |  |  |  |  |  |
|   |                  |                          |             | S-0 to D-0 (H)  | D-0 (J) to E-0 |  |  |  |  |  |
| 1   | Universal Brace  | GS                       | 4A0363-01   | 2               | 2              |  |  |  |  |  |
| 1a  | Hex Head Bolt    | 5x12, SS                 | 7B02-0512   | 2               | 2              |  |  |  |  |  |
| 2   | Hoshizaki Emblem |                          | 4A0560-01   | 1               | 1              |  |  |  |  |  |
| 3   | Penguin Label    |                          | 4A0526-01   | 1               | 1              |  |  |  |  |  |
| 4   | Air Filter       | <b>KML-631MAH</b>        | 426177-01   | 1               | -              |  |  |  |  |  |