

NO. 71121

ISSUED: JAN. 26, 1998

REVISED: SEPT. 12, 2000



**HOSHIZAKI
MODULAR CRESCENT CUBER**

**MODEL
KML-400MAE
KML-400MWE**

(FINAL) PARTS LIST

KML-400MAE

G-0	MARCH, 1997
H-0	DEC., 1997
H-1	APRIL, 1998
H-2	JUNE, 1998
H-3	OCT., 1998
J-0	DEC., 1998

KML-400MWE

G-0	MARCH, 1997
H-1	JAN., 1998
H-2	MAY, 1998
H-3	JUNE, 1998
H-4	OCT., 1998
J-0	DEC., 1998

MATERIAL ABBREVIATIONS

ALUMINUM

AL = Aluminum

COPPER

CU = Copper

PLASTIC

ABS = Acrylonitrile -butadiene - styrene
 AC = Polyacetal
 EVA = Ethylene vinyl acetate
 PA = Polyamide = Nylon
 PC = Polycarbonate
 PE = Polyethylene
 PES = Polyester
 PETP = Polyethylene terephthalate = Tetlon
 PP = Polypropylene
 PS = Polystyrene
 PTFE = Polytetrafluoroethylene = Teflon
 PUR = Polyurethane
 PVC = Polyvinyl chloride

RUBBER

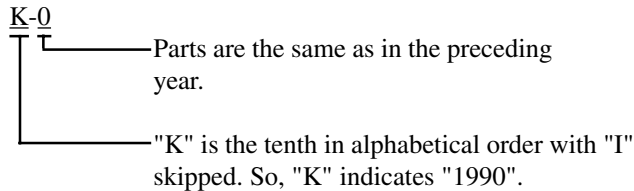
VN = Vinyl Nitrile
 EPDM = EP rubber
 NBR = Nitrile butadiene rubber
 NR = Natural rubber
 NP = Neoprene
 SLR = Silicone rubber
 SY.R = Synthetic rubber
 EPH = Epichlorohydrin

STEEL

GS = Galvanized steel
 SS = Stainless steel
 PS = Plated steel
 PAS = Primed steel

AUXILIARY CODE

Ex.1

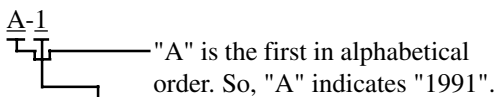


(Note) - = Part deleted.

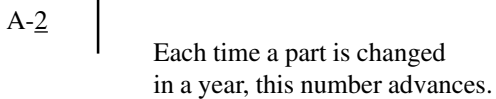
x = Part deleted and replaced by "o" part.

o = New part for "x" in the same auxiliary code.

Ex.2

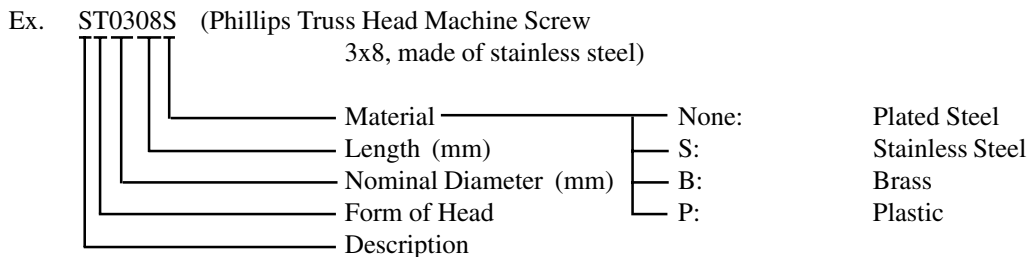


Ex.3



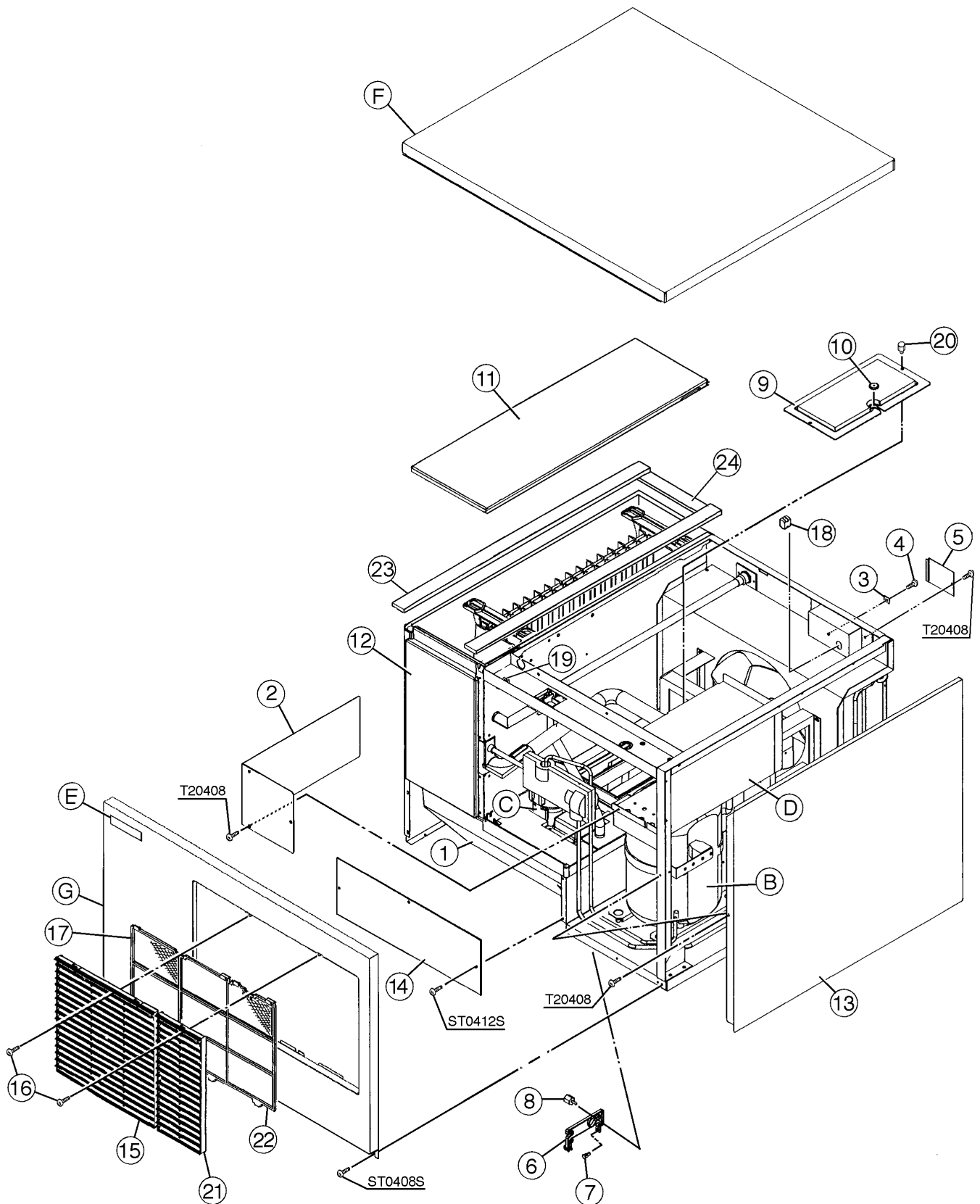
FASTENER ABBREVIATION LIST

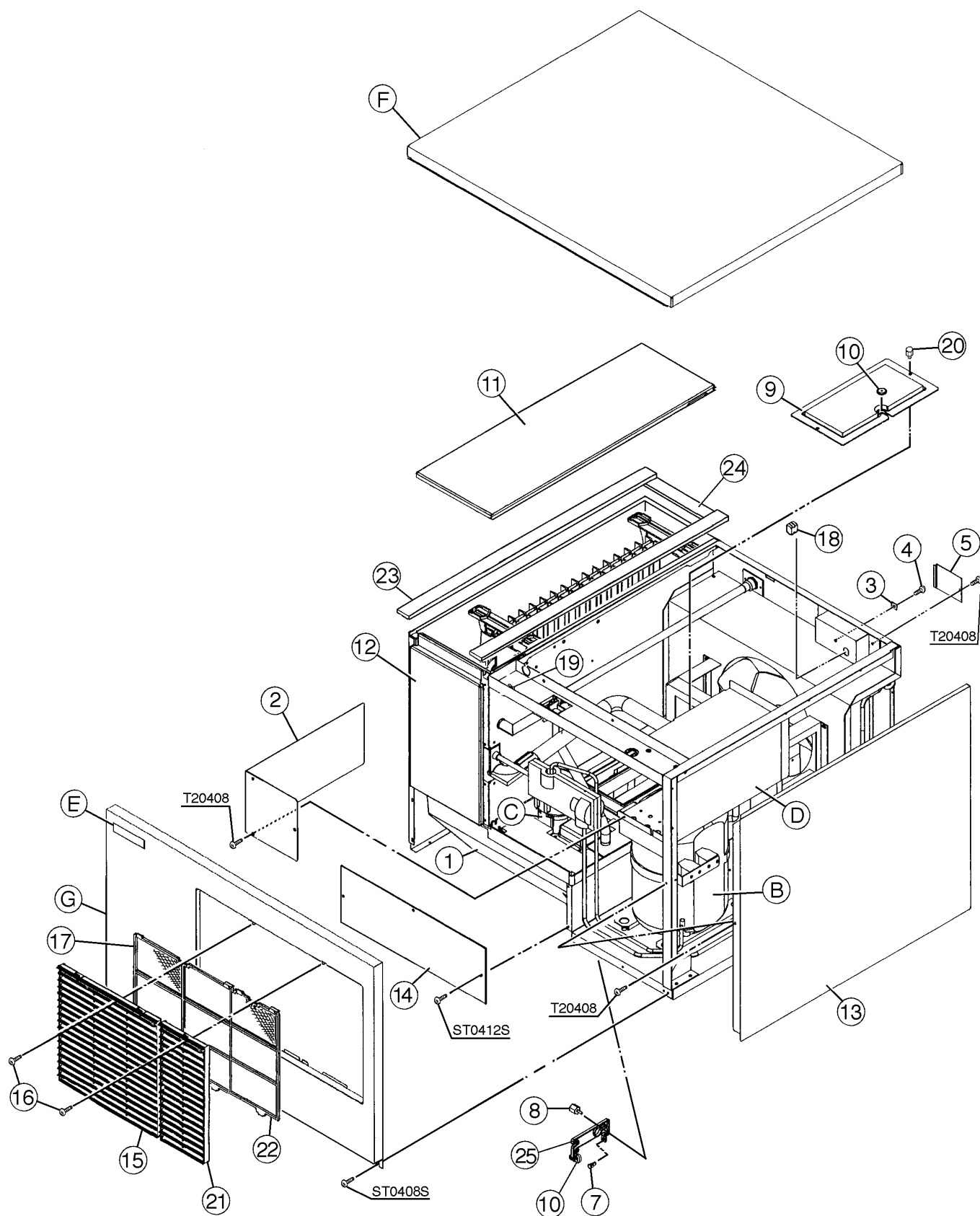
ST	Phillips Truss Machine Screw
SP	Phillips Pan Head Machine Screw
SF	Phillips Flat Head Machine Screw
SS	Phillips Pan Head Machine Screw with Split Lock Washer
SW	Phillips Pan Head Machine Screw with Split Lock Washer and Flat Washer
T1	Phillips Truss Head Tapping Screw (Correspond to Type A)
T2	Phillips Truss Head Tapping Screw (Correspond to Type B)
T3	Phillips Truss Head Tapping Screw (Correspond to Type C)
FT	Phillips Truss Head Tapping Screw (Special)
BH	Hexagon Head Bolt
BC	Socket Head Cap Screw
BS	Hexagon Bolt with Split Washer
BW	Hexagon Bolt with Split Washer and Flat Washer
BF	Hexagon Flange Bolt
BR	Cross-Recessed Hexagon Head Bolt
BRW	Cross-Recessed Hexagon Head Bolt with Split Lock Washer and Flat Washer
WL	Split Lock Washer
WT	External Tooth Washer
WF	Flat Washer
WS	Spring Washer
NH	Hexagon Nut
NF	Hexagon Flange Nut
NC	Hexagon Cap Nut
NS	Square Nut
NW	Wing Nut

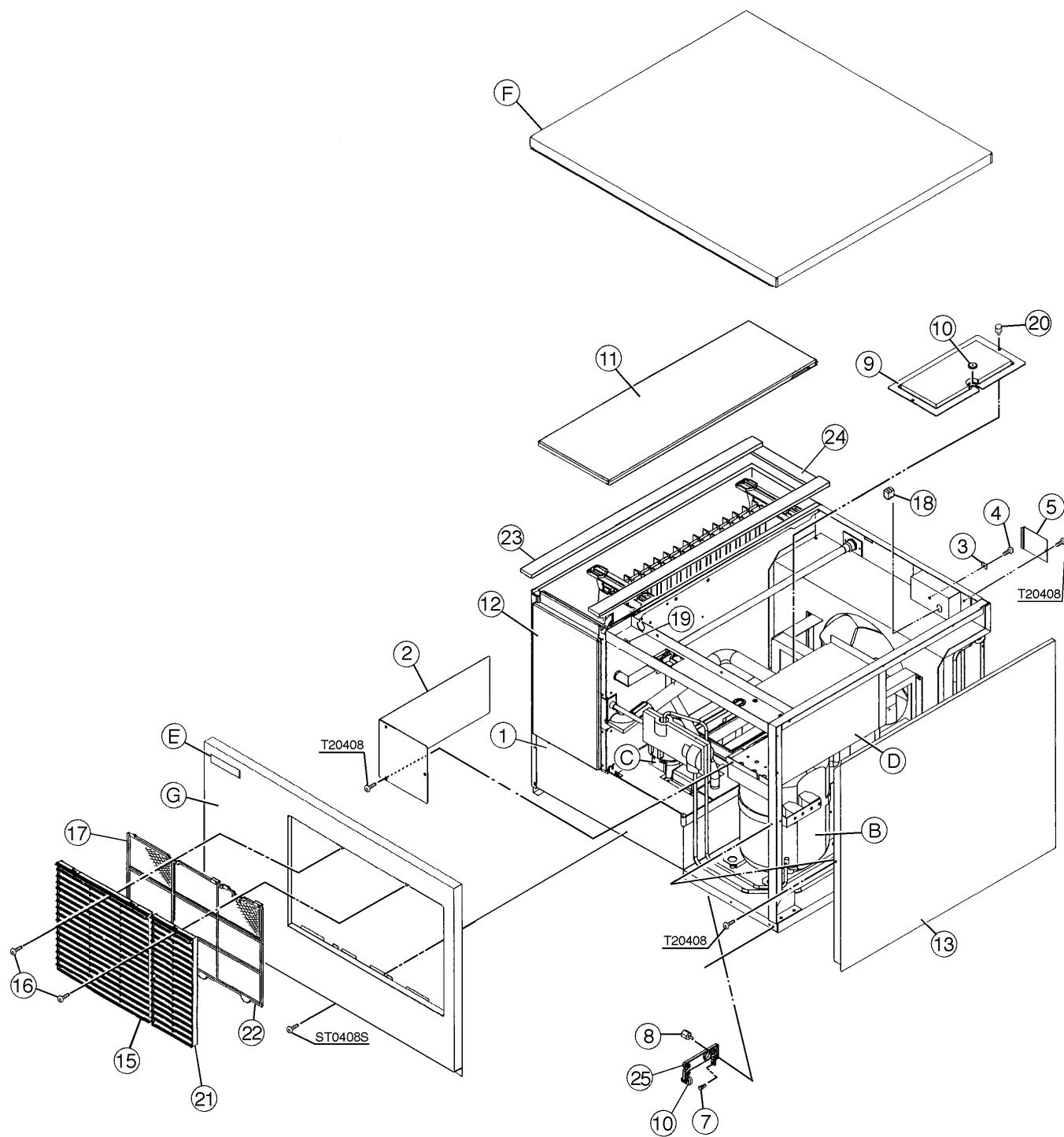


(Note) Second character is numerical except toe list.
 Ex. S1, S2, B3 etc.

And abbreviations and names are shown under the illustration.





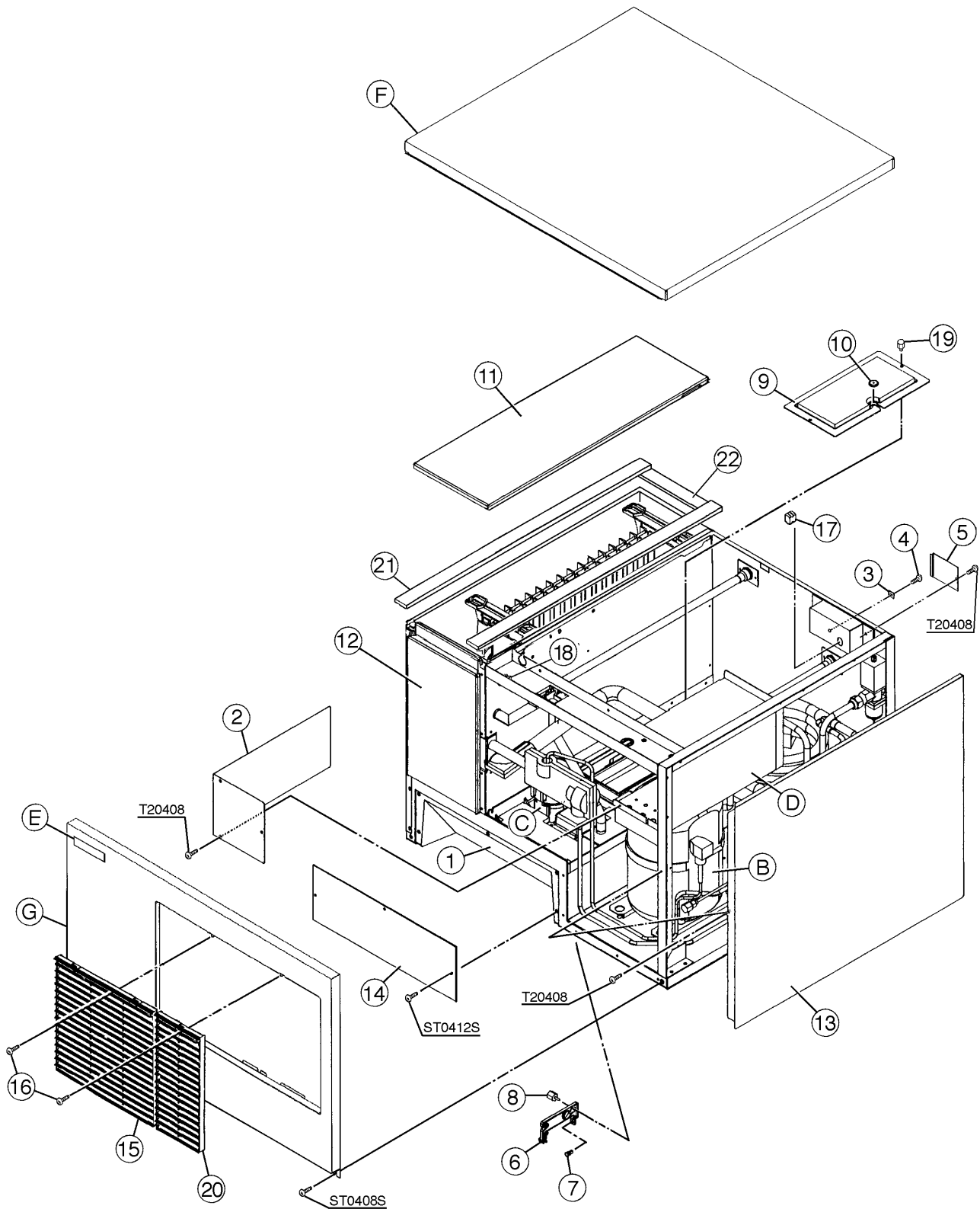


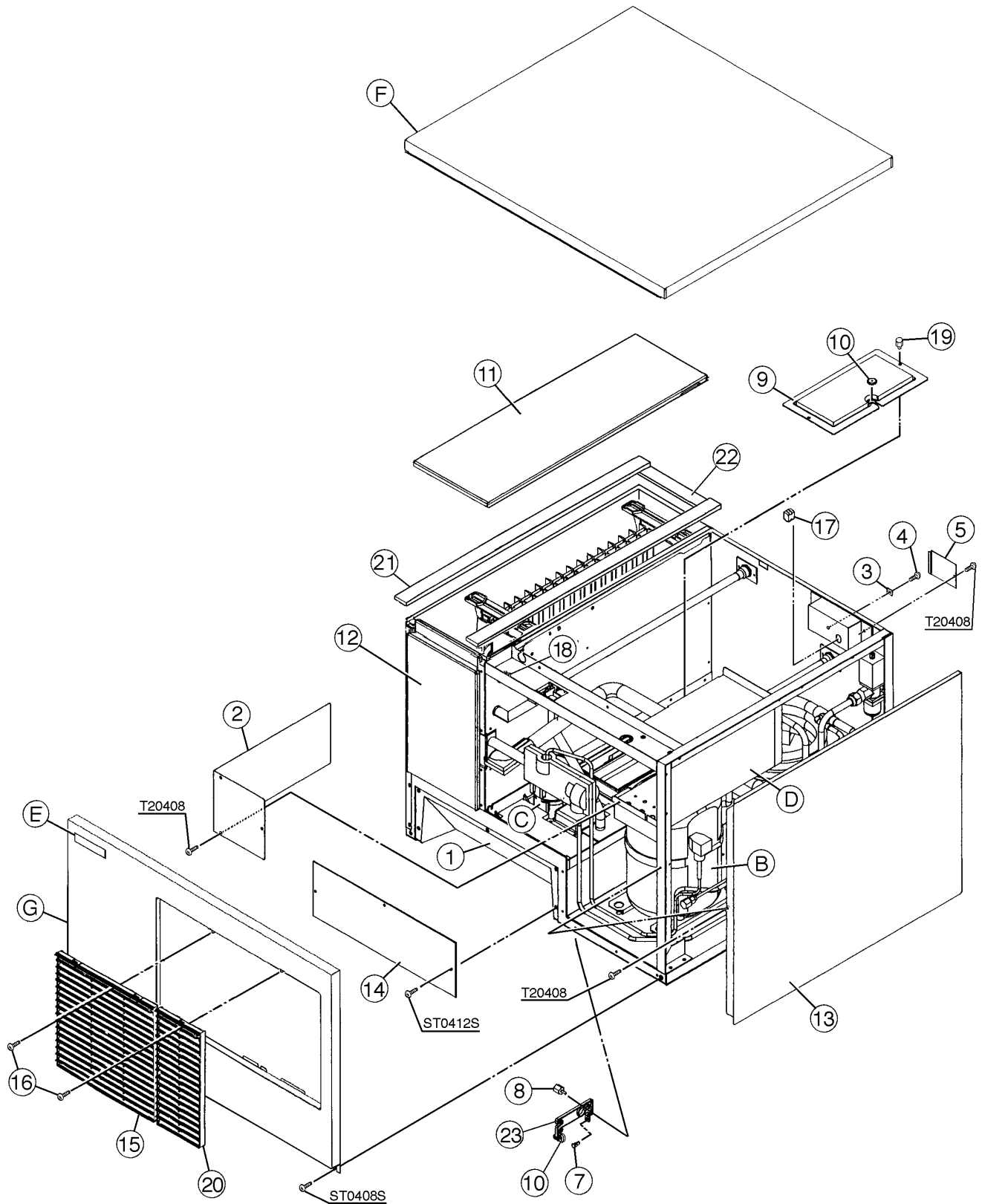
HA

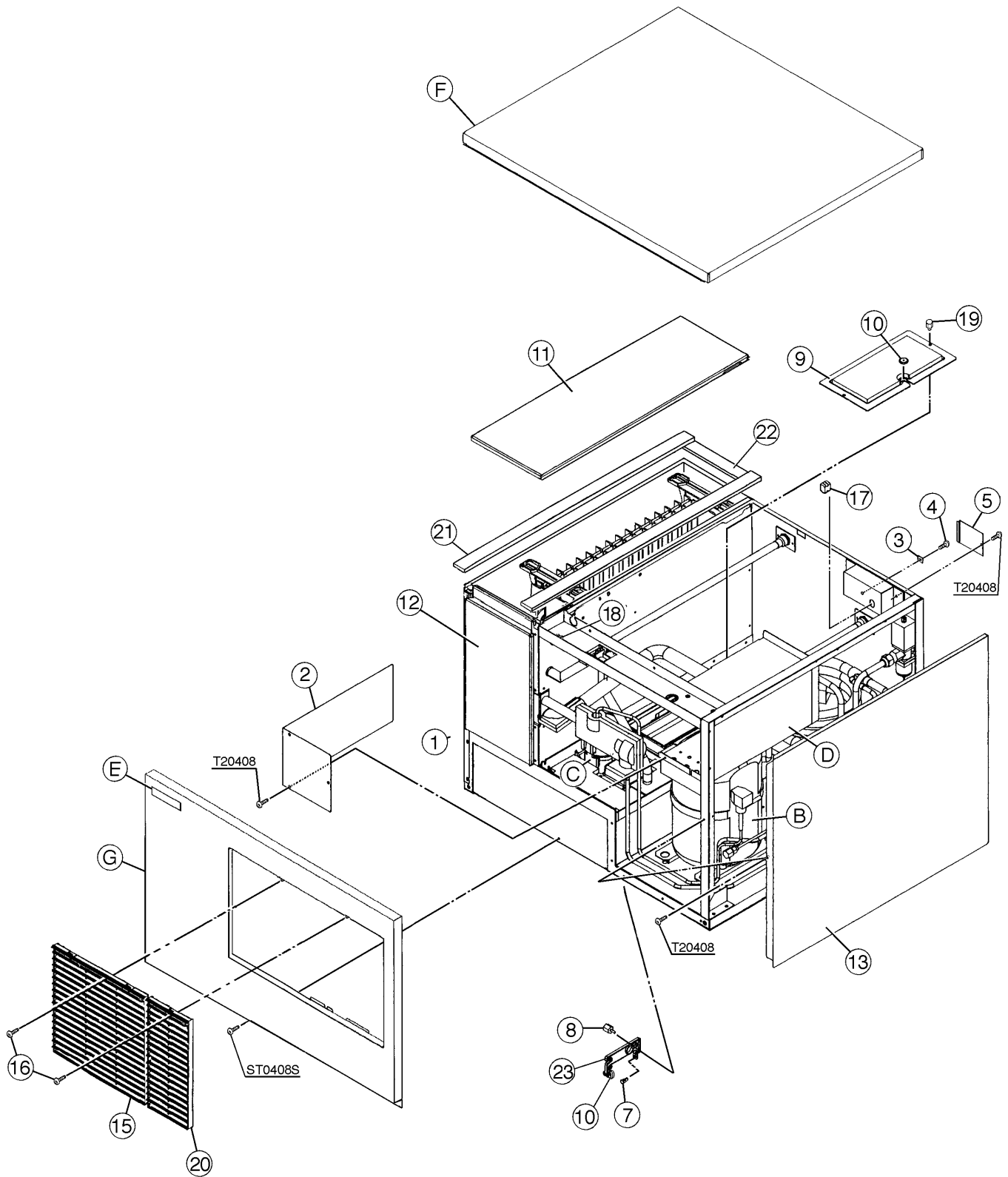
MODEL: KML-400MAE TITLE: A. ICE CUBER ASSEMBLY								
INDEX NO.	DESCRIPTION	MATERIAL OR MODEL NUMBER	PART NUMBER	REQUIRED NUMBER				
				G-0 H-0	H-1	H-2	H-3 J02385M- J02784B	J02785C-
B	REFRIGERATION CIRCUIT	-	2A0718A01	1	1	1	x1	
		-	1A0386A01				o1	1
C	WATER CIRCUIT	-	2A0692A01	1	1	-		
		-	2A0692A02			1	1	-
		-	1A0438A01					1
D	CONTROL BOX ASSEMBLY	-	2A0657A01	1	-			
		-	2A0657A05		1	1	1	1
	T2 SCREW	4X8	7P31-0408	3	3	3	3	3
E	LABEL LOCATION	-	3A0676A01	1	-			
		-	3A0676A02		1	1	1	-
		-	3A1372A01					1
F	TOP PANEL ASSEMBLY	-	3A0674A01	1	1	1	1	1
G	FRONT PANEL ASSEMBLY	-	3A0905A01	1	1	1	1	-
		-	3A1273A01					1
	TRUSS HEAD SCREW	4X8, SS	7C32-0408	2	2	2	2	1
1	EVAPORATOR CASE	-	2A0687G01	1	1	1	1	-
		-	2A1448G01					1
2	CONTROL BOX COVER	GS	3A0594-01	1	1	1	1	1
		T2 SCREW	4X8	7P31-0408	3	3	3	3
3	SQUARE WASHER	BRASS	433537-02	1	1	1	1	1
4	SCREW - GROUNDING	BRASS	433304-02	1	1	1	1	1
5	JUNCTION BOX COVER	GS	433410-01	1	1	1	1	1
		T2 SCREW	4X8	7P31-0408	1	1	1	1
6	BULB HOLDER	PE	328919-01	1	1	1	-	
7	SPACER	PE	443545-01	1	1	1	1	1
8	THUMBSCREW	SS, ABS	415949G03	2	2	2	2	2
9	BIN CONTROL COVER	GS	3A0664G01	1	1	1	1	1

HA

MODEL: KML-400MAE TITLE: A. ICE CUBER ASSEMBLY								
INDEX NO.	DESCRIPTION	MATERIAL OR MODEL NUMBER	PART NUMBER	REQUIRED NUMBER				
				G-0 H-0	H-1	H-2	H-3 J02385M- J02784B	J02785C-
10	CAPILLARY RING	EP RUBBER	425307-01	1	1	1	1	1
11	TOP INSULATION	PP	215730G01	1	1	1	1	1
12	FRONT INSULATION	PP	2A0664G01	1	1	1	1	1
13	SIDE PANEL (R)	SS	2A0649G01	1	1	1	1	-
		SS	2A1456G01					1
	T2 SCREW	4X8, SS	7P32-0408	1	1	1		
14	COVER - MANUAL FILL	ABS, POLYOLEFIN	4A1015G01	1	1	1	1	-
	TRUSS HEAD SCREW	4X12, SS	7C32-0412	3	3	3	3	-
15	LOUVER (B)	ABS	103121-05	1	1	1	1	1
16	TAPPING SCREW (BLACK)	STEEL, 4X8	433954-01	2	2	2	2	2
17	AIR FILTER (B)	ABS	208283G03	1	1	1	1	1
18	BUSHING	SR-30-1	420472-03	1	1	1	1	1
19	WIRE SADDLE	VWS4238-C	4A0338-02	2	2	2	2	2
20	THUMBSCREW	SS, ABS	415949G04	2	2	2	2	2
21	LOUVER (C)	ABS	103122-03	1	1	1	1	1
22	AIR FILTER (C)	ABS	208284G01	1	1	1	1	1
23	GASKET	L=655	4A0808L02	2	2	2	2	2
24	GASKET	L=190	4A0808L02	1	1	1	1	1
25	THERMOSTAT EXTENSION BRACKET	-	4A1722-01				1	1





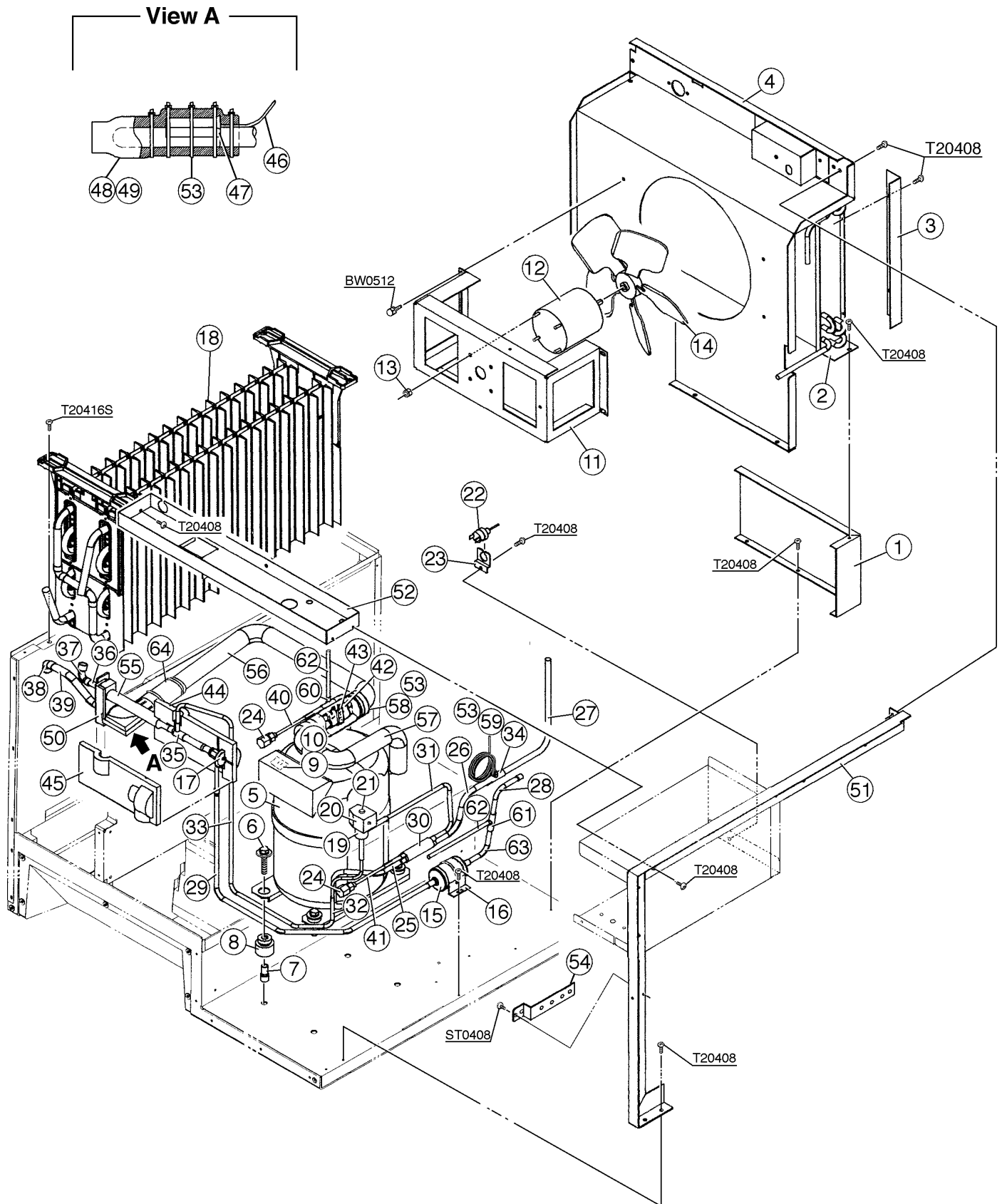


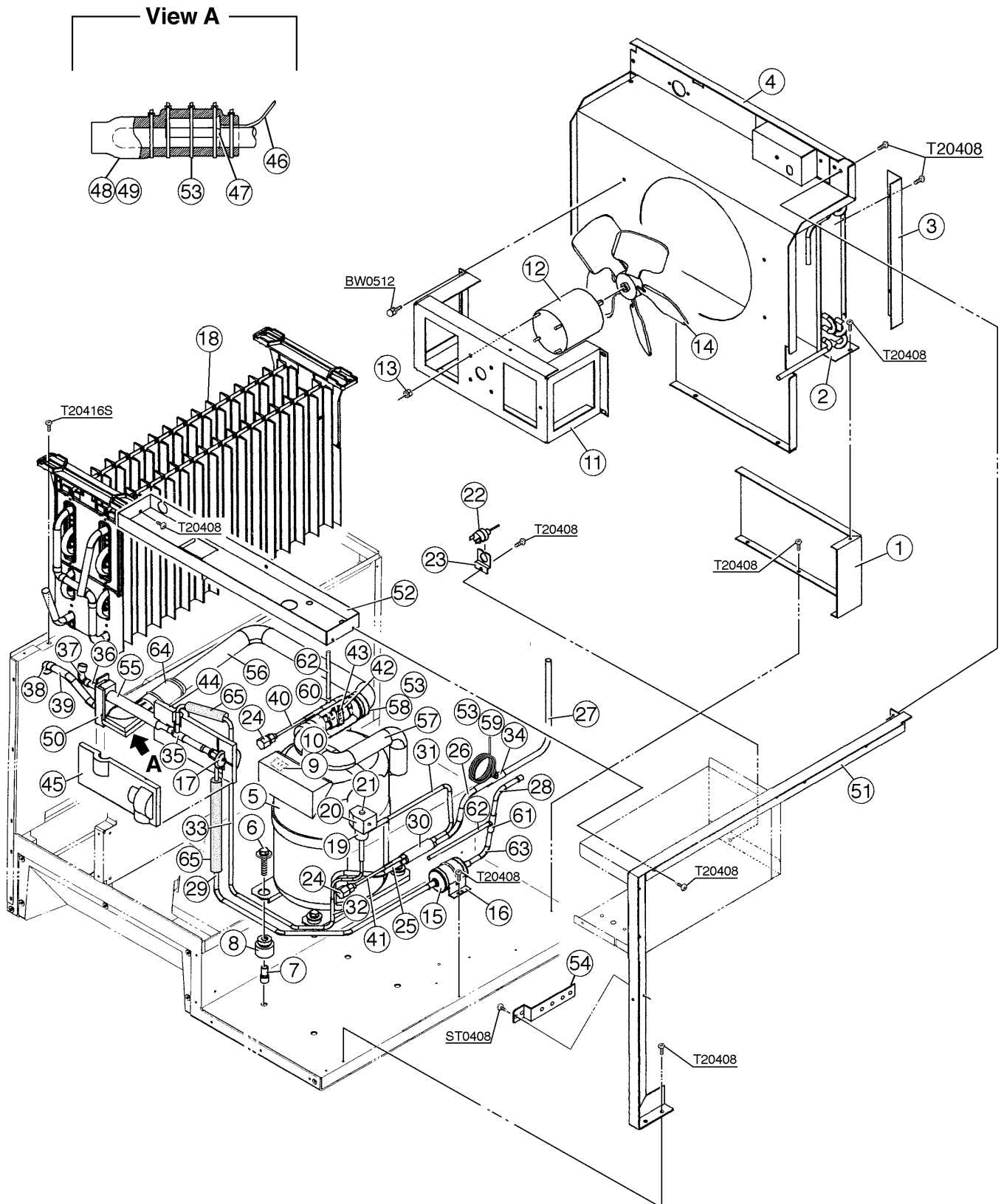
HA

MODEL: KML-400MWE TITLE: A. ICE CUBER ASSEMBLY								
INDEX NO.	DESCRIPTION	MATERIAL OR MODEL NUMBER	PART NUMBER	REQUIRED NUMBER				
				G-0 H-1	H-2	H-3	H-4 J00466M- J00615B	J00616C-
B	REFRIGERATION CIRCUIT	-	2A0719A01	1	1	1	-	
		-	1A0387A01				1	1
C	WATER CIRCUIT	-	2A0692A01	1	1	-		
		-	2A0692A02			1	1	-
		-	1A0438A01					1
D	CONTROL BOX ASSEMBLY	-	2A0657A02	1	-			
		-	2A0657A06		1	1	1	1
	T2 SCREW	4X8	7P31-0408	3	3	3	3	3
E	LABEL LOCATION	-	3A0677A01	1	-			
		-	3A0677A02		1	1	1	-
		-	3A1373A01					1
F	TOP PANEL ASSEMBLY	-	3A0674A01	1	1	1	1	1
G	FRONT PANEL ASSEMBLY	-	3A0905A01	1	1	1	1	-
		-	3A1273A01					1
	TRUSS HEAD SCREW	4X8, SS	7C32-0408	2	2	2	2	1
1	EVAPORATOR CASE	-	2A0687G01	1	1	1	1	1
2	CONTROL BOX COVER	GS	3A0594-01	1	1	1	1	1
	T2 SCREW	4X8	7C31-0408	3	3	3	3	3
3	SQUARE WASHER	BRASS	433537-02	1	1	1	1	1
4	SCREW - GROUNDING	BRASS	433304-02	1	1	1	1	1
5	JUNCTION BOX COVER	GS	433410-01	1	1	1	1	1
6	BULB HOLDER	PE	328919-01	1	1	1	-	
7	SPACER	PE	443545-01	1	1	1	1	1
8	THUMBSCREW	SS, ABS	415949G03	2	2	2	2	2
9	BIN CONTROL COVER	GS	3A0664G01	1	1	1	1	1
10	CAPILLARY RING	EP RUBBER	425307-01	1	1	1	2	2
11	TOP INSULATION	PP	215730G01	1	1	1	1	1

HA

MODEL: KML-400MWE TITLE: A. ICE CUBER ASSEMBLY								
INDEX NO.	DESCRIPTION	MATERIAL OR MODEL NUMBER	PART NUMBER	REQUIRED NUMBER				
				G-0 H-1	H-2	H-3	H-4 J00466M- J00615B	J00616C-
12	FRONT INSULATION	PP	2A0664G01	1	1	1	1	1
13	SIDE PANEL (R)	SS	2A0649G01	1	1	1	1	-
		SS	2A1456G01					1
	T2 SCREW	4X8, SS	7P32-0408	1	1	1		
14	COVER - MANUAL FILL	ABS, POLYOLEFIN	4A1015G01	1	1	1	1	-
	TRUSS HEAD SCREW	4X12,SS	7C32-0412	3	3	3	3	3
15	LOUVER (B)	ABS	103121-05	1	1	1	1	1
16	TAPPING SCREW (BLACK)	STEEL, 4X8	433954-01	2	2	2	2	2
17	BUSHING	SR-30-1	420472-03	1	1	1	1	1
18	WIRE SADDLE	VWS4238-C	4A0338-02	2	2	2	2	2
19	THUMBSCREW	SS, ABS	415949G04	2	2	2	2	2
20	LOUVER (C)	ABS	103122-03	1	1	1	1	1
21	GASKET	L=655	4A0808L02	2	2	2	2	2
22	GASKET	L=190	4A0808L02	1	1	1	1	1
23	THERMOSTAT BRACKET EXTENSION	-	4A1722-01				1	1





HA

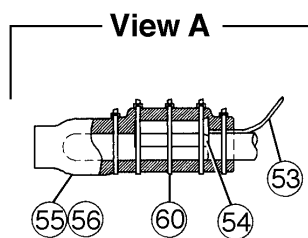
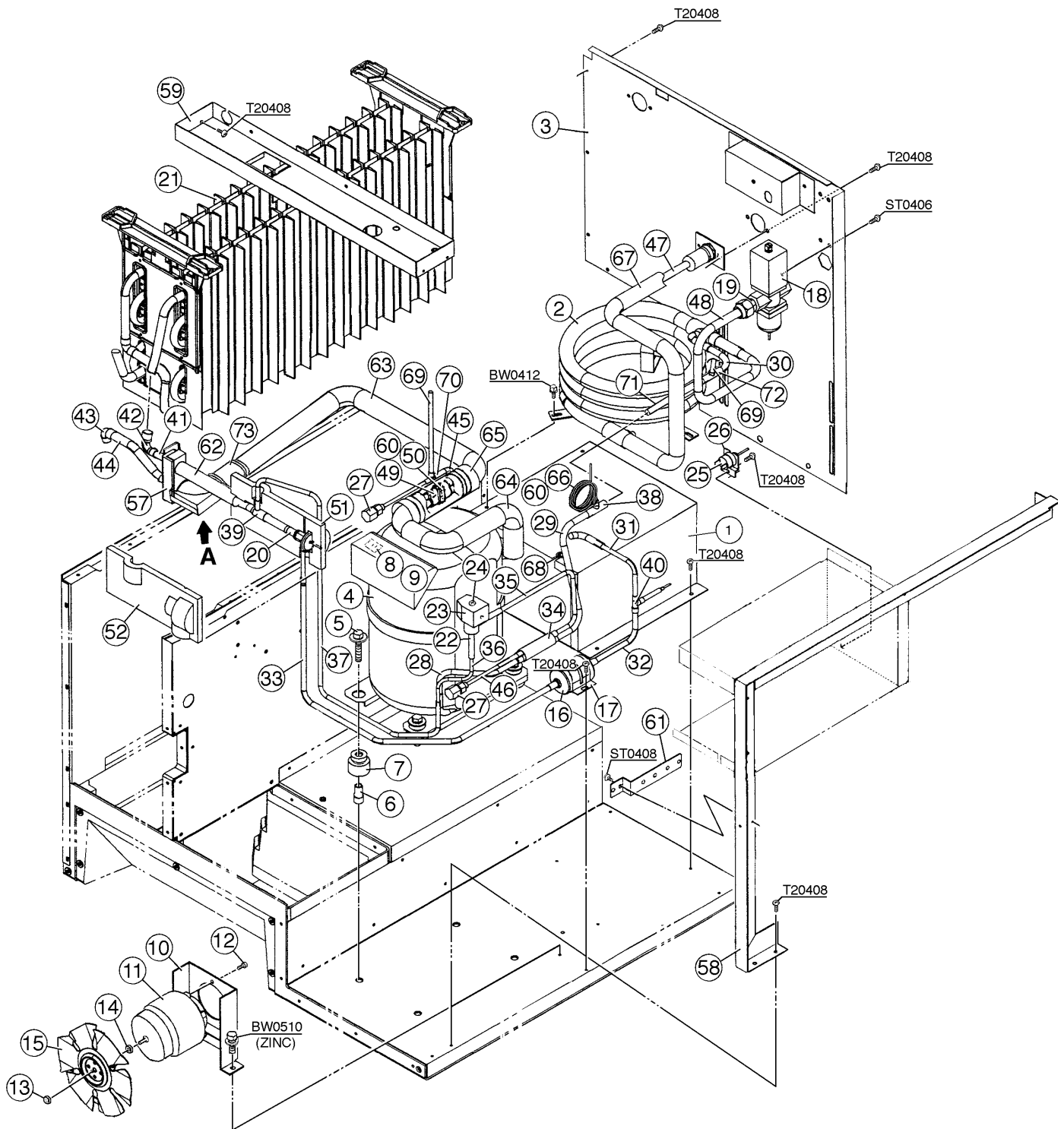
MODEL: KML-400MAE TITLE: B. REFRIGERATION CIRCUIT								
INDEX NO.	DESCRIPTION	MATERIAL OR MODEL NUMBER	PART NUMBER	REQUIRED NUMBER				
				G-0	H-0	H-1 H-2	H-3	J-0
1	CONDENSER SUPPORT	GS	3A0589-01	1	1	1	1	1
	T2 SCREW	4X8	7P31-0408	5	5	5	5	5
2	CONDENSER	S-0799	2A0640-01	1	1	1	1	1
	T2 SCREW	4X8	7P31-0408	3	3	3	3	3
3	BARRIER	GS	4A0932-01	1	1	1	1	1
	T2 SCREW	4X8	7P31-0408	2	2	2	2	2
4	SHROUD	GS	3A0597G01	1	1	1	1	1
	T2 SCREW	4X8	7P31-0408	5	5	5	5	5
5	COMPRESSOR	RSN6-0075-CAA	446521-01	1	1	1	1	1
6	BOLT	8 x 45	437889-01	4	4	4	4	4
7	SPACER	027-0072-02	434404-01	4	4	4	4	4
8	GROMMET	527-0039-04	434403-01	4	4	4	4	4
9	MOTOR PROTECTOR	071-0127-42	446569-01	1	1	1	1	1
10	PROTECTOR HOLDER	SS	437379-01	1	1	1	-	
		SS	4A1248-01				1	1
11	FAN MOTOR BRACKET	GS	2A0181-01	1	1	1	1	1
	HEX HEAD BOLT W/WASHER (LF)	5X12	7B0130512	4	4	4	4	4
12	FAN MOTOR	U90B1, 7190-1031	440911-01	1	1	1	1	1
13	SELF-LOCKING NUT	SS	7N2110832	4	4	4	4	4
14	FAN BLADE	AD10CW32	444898-01	1	1	1	1	1
15	DRIER	C-0325-S	445007-01	1	1	1	1	1
16	DRIER BRACKET	GS	4A0807-01	1	1	1	1	1
	T2 SCREW	4X8	7P31-0408	2	2	2	2	2
17	EXPANSION VALVE	HFE-10HHD-2	443305-02	1	1	1	1	1
18	EVAPORATOR ASSEMBLY	-	2A0717G01	1	1	1	1	1
	T2 SCREW	4X16, SS	7P32-0416	4	4	4	4	4
19	VALVE BODY	70	440352-01	1	1	1	1	1
20	COIL - VALVE	ABS-25-1-HD-2	440354-01	1	1	1	1	1
21	BOLT	-	440354F01	1	1	1	1	1

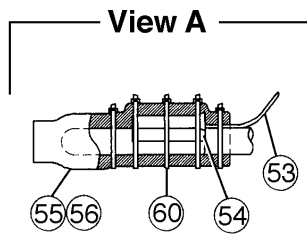
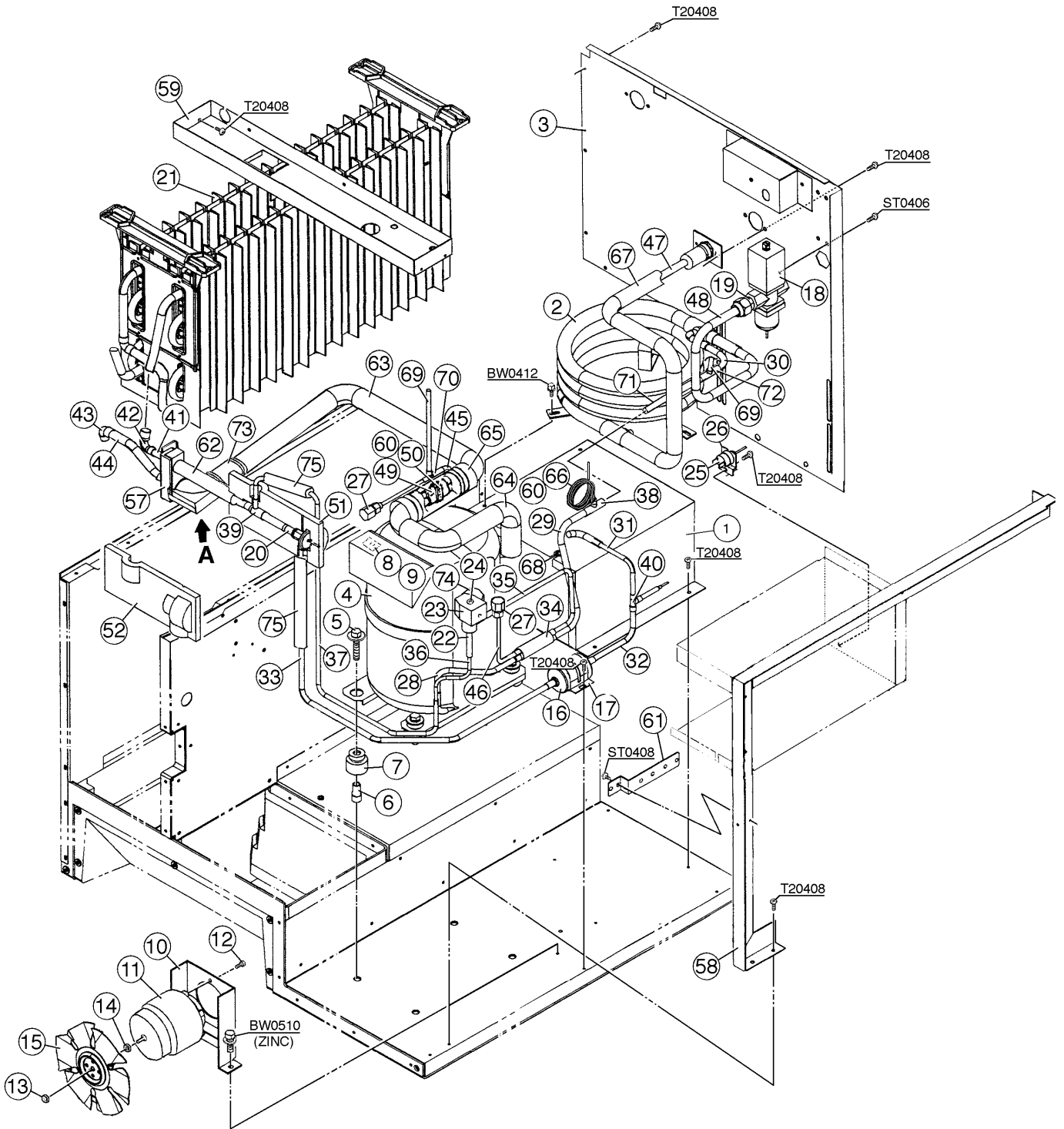
HA

MODEL: KML-400MAE TITLE: B. REFRIGERATION CIRCUIT								
INDEX NO.	DESCRIPTION	MATERIAL OR MODEL NUMBER	PART NUMBER	REQUIRED NUMBER				
				G-0	H-0	H-1 H-2	H-3	J-0
22	PRESSURE SWITCH	ACB-2UB04	433441-05	1	1	1	1	1
23	PRESSURE SWITCH BRACKET	GS	434938-01	1	1	1	1	1
	T2 SCREW	4X8	7P31-0408	1	1	1	1	1
24	ACCESS VALVE	TCJ-2F15-HD	417366-01	2	2	2	2	2
25	COPPER TUBE (A) - HIGH SIDE	COPPER	4A0986-01	1	1	1	x1	
	COPPER TUBE (A1) - HIGH SIDE	COPPER	4A0986-01				o1	1
26	COPPER TUBE (B) - HIGH SIDE	COPPER	4A0987-01	1	1	1	1	1
27	COPPER TUBE (C) - HIGH SIDE	COPPER	4A0989-01	1	1	1	1	1
28	COPPER TUBE (D) - HIGH SIDE	COPPER	4A0991-01	1	1	1	1	1
29	COPPER TUBE (E) - HIGH SIDE	COPPER	3A0628-01	1	1	1	1	1
30	STRAINER	-	4A0397-01	1	1	1	1	1
31	COPPER TUBE (A) - HOT GAS	COPPER	4A0994-01	1	1	1	1	1
32	COPPER TUBE (B) - HOT GAS	COPPER	4A0995-01	1	1	1	1	1
33	COPPER TUBE (C) - HOT GAS	COPPER	2A0679-01	1	1	1	1	1
34	TEE	COPPER	431618-01	1	1	1	1	1
35	TEE	COPPER	436000-08	1	1	1	1	1
36	COPPER TUBE (A) - LOW SIDE	COPPER	4A0993-01	1	1	1	1	1
37	ELBOW	COPPER	4A1059-01	1	1	1	1	1
38	ELBOW	COPPER	417395-03	1	1	1	1	1
39	COPPER TUBE - LOW SIDE	COPPER	2A0682-01	1	1	1	1	1
40	COPPER TUBE (A) - ACCESS VALVE	COPPER	4A1009-01	1	1	1	1	1
41	COPPER TUBE (B) - ACCESS VALVE	COPPER	4A1010-01	1	1	1	1	1
42	HOLDER / EXPANSION VALVE - 3/8	SS	3A0107-01	1	1	1	1	1
43	CLAMP	SS	443461-02	1	1	1	1	1
44	EXPANSION VALVE COVER (A)	PE FOAM	322621-01	1	1	1	1	1
45	EXPANSION VALVE COVER (B)	PE FOAM	322621-02	1	1	1	1	1
46	THERMISTOR	-	429006-03	1	1	1	1	1
47	HOLDER - THERMISTOR	COPPER	427430-01	1	1	1	1	1
48	INSULATION - THERMISTOR (A)	PE FOAM	439368-01	1	1	1	1	1
49	INSULATION - THERMISTOR (B)	PE FOAM	439368-02	1	1	1	1	1

HA

MODEL: KML-400MAE TITLE: B. REFRIGERATION CIRCUIT								
INDEX NO.	DESCRIPTION	MATERIAL OR MODEL NUMBER	PART NUMBER	REQUIRED NUMBER				
				G-0	H-0	H-1 H-2	H-3	J-0
50	INSULATED RUBBER TUBE	EPDM	4A1008G01	1	1	1	1	1
51	FRAME (A)	GS	2A0645-01	1	1	1	1	1
	T2 SCREW	4X8	7P31-0408	4	4	4	4	4
52	FRAME (B)	GS	3A0595-01	1	1	1	1	1
	T2 SCREW	4X8	7P31-0408	4	4	4	4	4
53	CABLE TIE	CV-200	7920-0010	14	14	14	14	14
54	LINE VALVE BRACKET	GS	438213-01	1	1	1	1	1
55	INSULATION TUBE	L=110	7762-1030	1	1	1	x1	
		L=120	7762-1030				o1	x1
		L=140	7762-1030					o1
56	INSULATION TUBE	L=580	7762-1330	1	1	1	1	1
57	INSULATION TUBE	L=330	7762-1330	1	1	1	1	1
58	INSULATION TUBE	L=140	7762-2943	1	1	1	1	1
59	INSULATION TUBE	L=30	7762-1020	2	2	2	2	2
60	TEE	COPPER	436000-13	1	1	1	1	1
61	TEE	COPPER	420041-02	1	1	1	1	1
62	EVACUATION TUBE	COPPER	4A1212-01	2	2	2	2	2
63	COPPER TUBE (D2) - HIGH SIDE	COPPER	4A1213-01	1	1	1	1	1
64	INSULATION TUBE	L=60	7762-2943	1	1	1	1	1
65	INSULATION TUBE	L=100	7762-1020				2	2



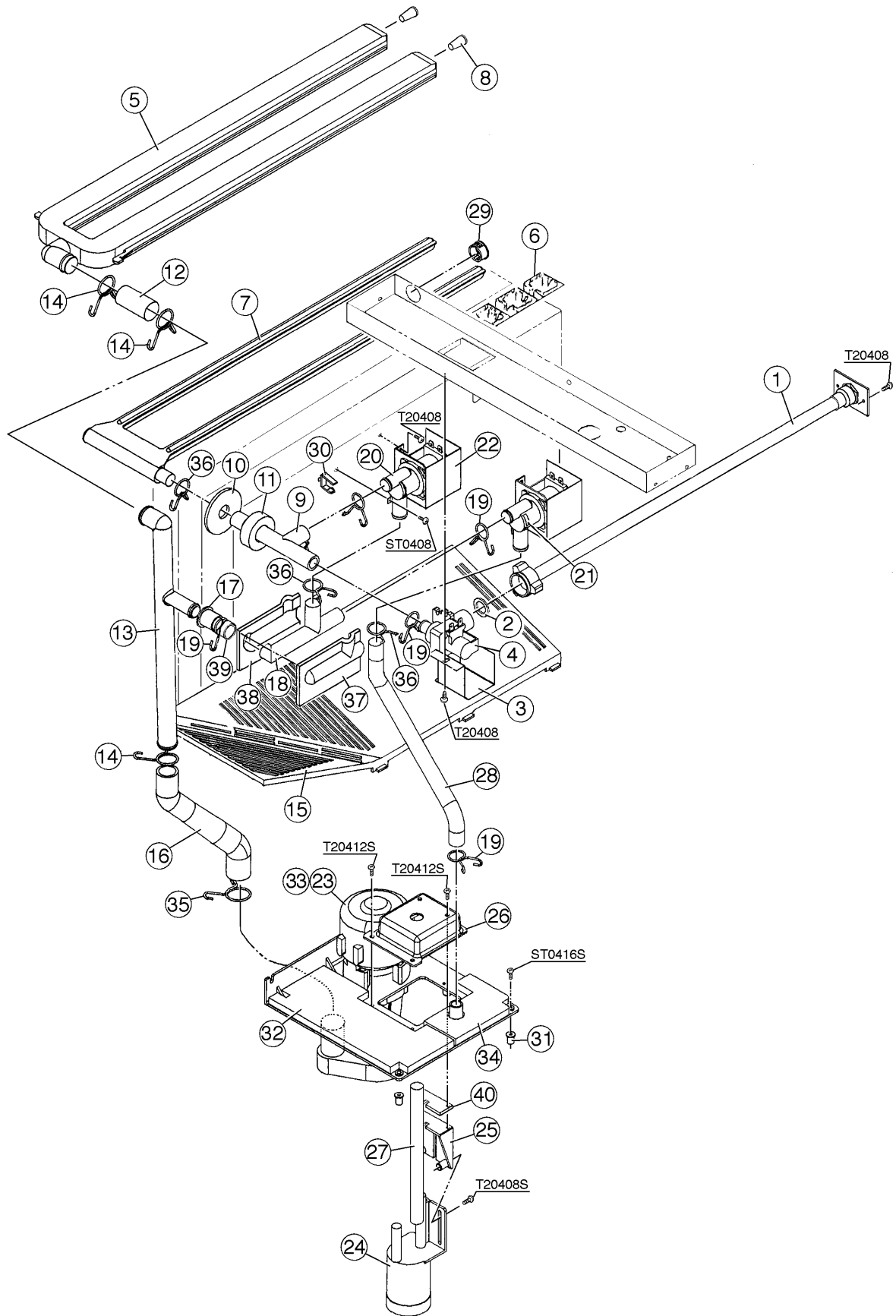


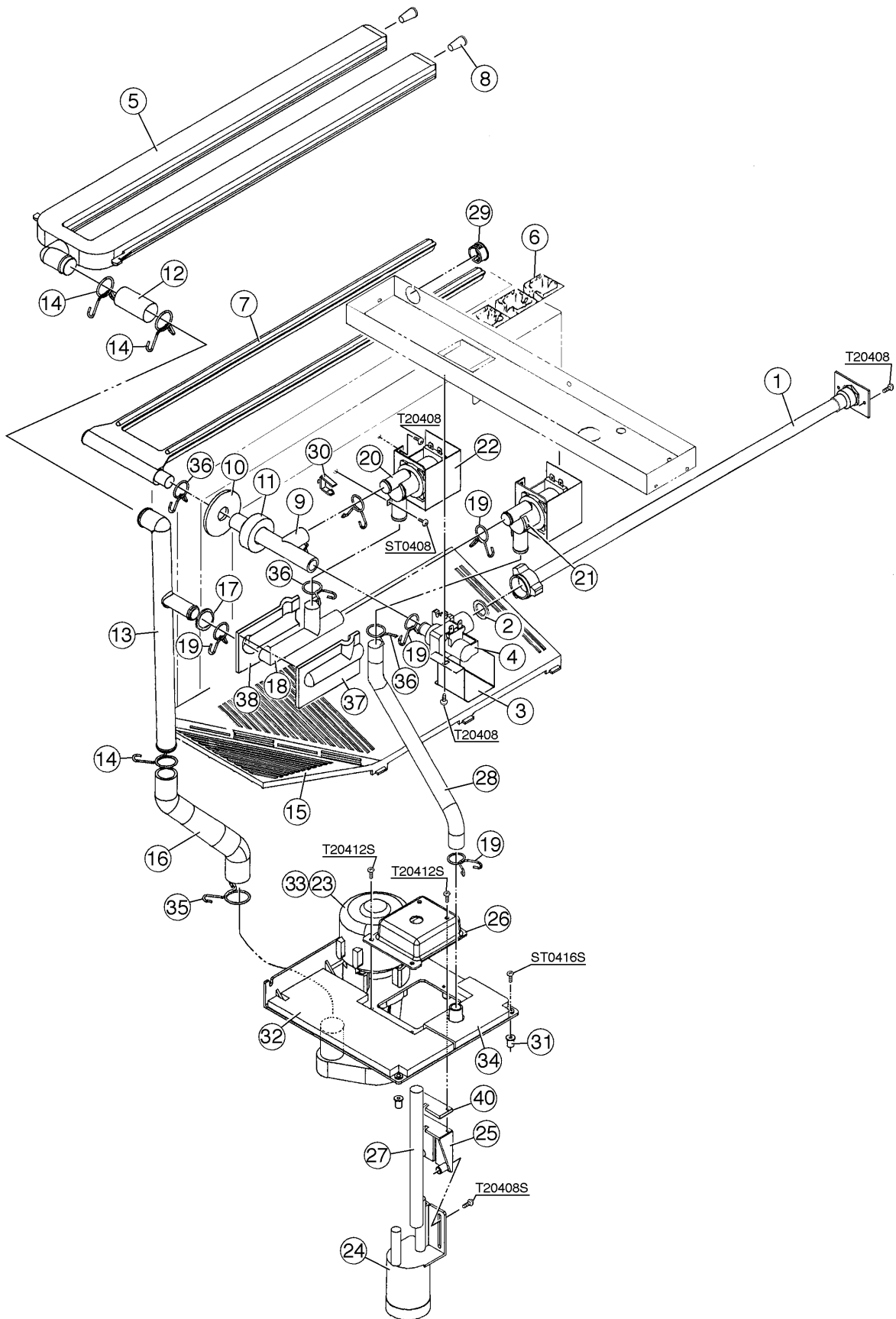
HA

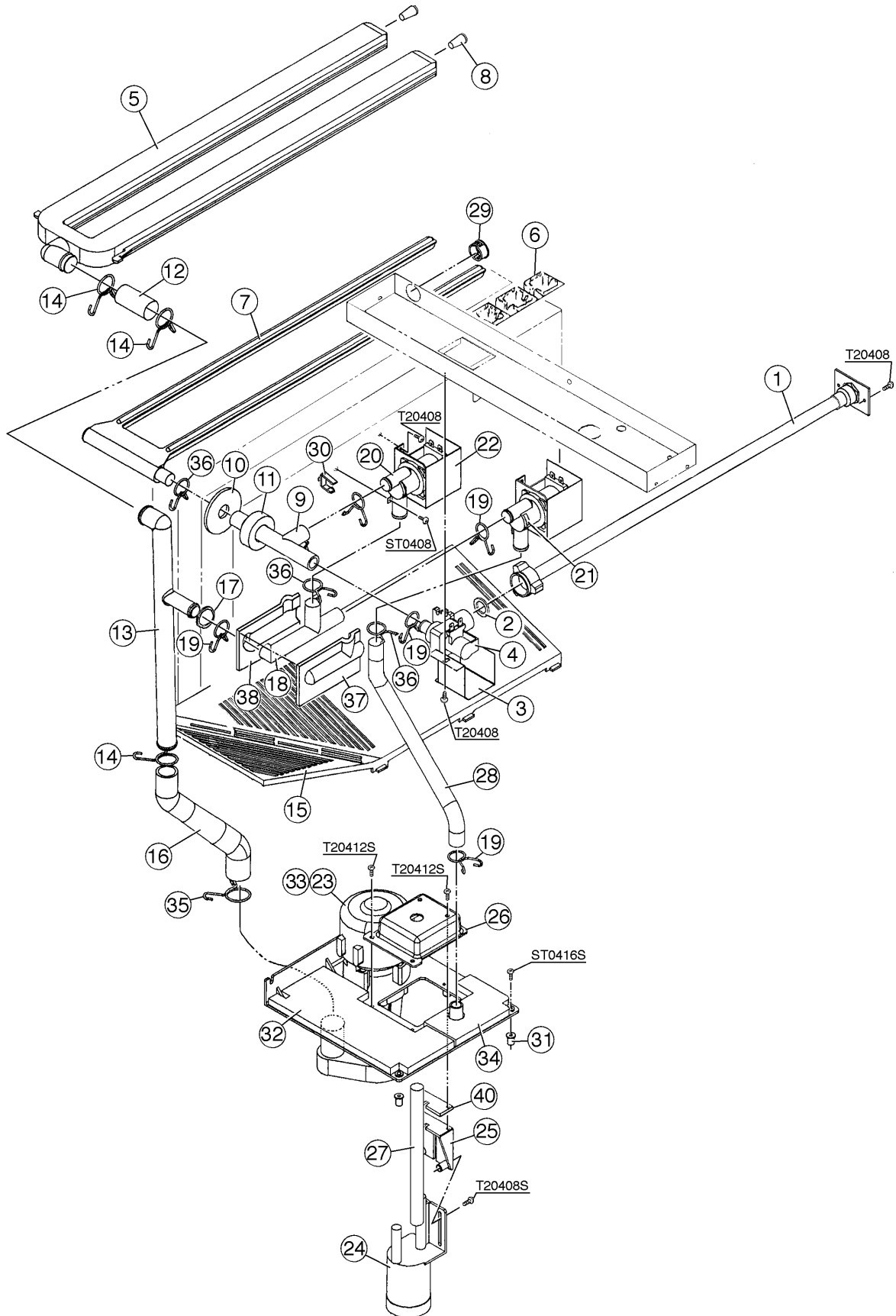
MODEL: KML-400MWE TITLE: B. REFRIGERATION CIRCUIT								
INDEX NO.	DESCRIPTION	MATERIAL OR MODEL NUMBER	PART NUMBER	REQUIRED NUMBER				
				G-0	H-1	H-2	H-3	H-4 J-0
1	CONDENSER SUPPORT	GS	2A0655-01	1	1	1	1	1
	T2 SCREW	4X8	7P31-0408	4	4	4	4	4
2	CONDENSER - WATER COOLED	-	215544G02	1	1	1	1	1
	HEX HEAD BOLT W/WASHER (LF)	4X12	7B0130412	3	3	3	3	3
3	REAR PANEL (B)	GS	3A0630G01	1	1	1	1	1
	T2 SCREW	4X8	7P31-0408	9	9	9	9	9
4	COMPRESSOR	RSN6-0075-CAA	446521-01	1	1	1	1	1
5	BOLT	8 x 45	437889-01	4	4	4	4	4
6	SPACER	027-0072-02	434404-01	4	4	4	4	4
7	GROMMET	527-0039-04	434403-01	4	4	4	4	4
8	MOTOR PROTECTOR	071-0127-42	446569-01	1	1	1	1	1
9	PROTECTOR HOLDER	SS	437379-01	1	1	1	1	-
		SS	4A1248-01					1
10	FAN MOTOR BRACKET	GS	3A0171-01	1	x1			
		GS	3A0171-02		o1	1	1	1
	BOLT & WASHER ASSEMBLY	5X10		2	2	2	2	2
11	FAN MOTOR	SPB4ERI	440916-01	1	1	1	1	1
12	SCREW	122A556AC	436863-01	3	3	3	3	3
13	NUT	STEEL	435982-01	1	1	1	1	1
14	WASHER	-	435983-01	1	1	1	1	1
15	FAN BLADE	AL	435481-01	1	1	1	1	1
16	DRIER	C-0325-S	445007-01	1	1	1	1	1
17	DRIER BRACKET	GS	4A0807-01	1	1	1	1	1
18	WATER REGULATOR	-	4A0911-01	1	1	1	1	1
	TRUSS HEAD SCREW	4X6	7C31-0406	2	2	2	2	2
19	MALE CONNECTOR	BRASS	4A1087-01	1	1	1	1	1
20	EXPANSION VALVE	HFE-10HHD-2	443305-02	1	1	1	1	1
21	EVAPORATOR ASSEMBLY	-	2A0717G01	1	1	1	1	1
	T2 SCREW	4X16, SS	7P32-0416	4	4	4	4	4
22	VALVE BODY	70	440352-01	1	1	1	1	1

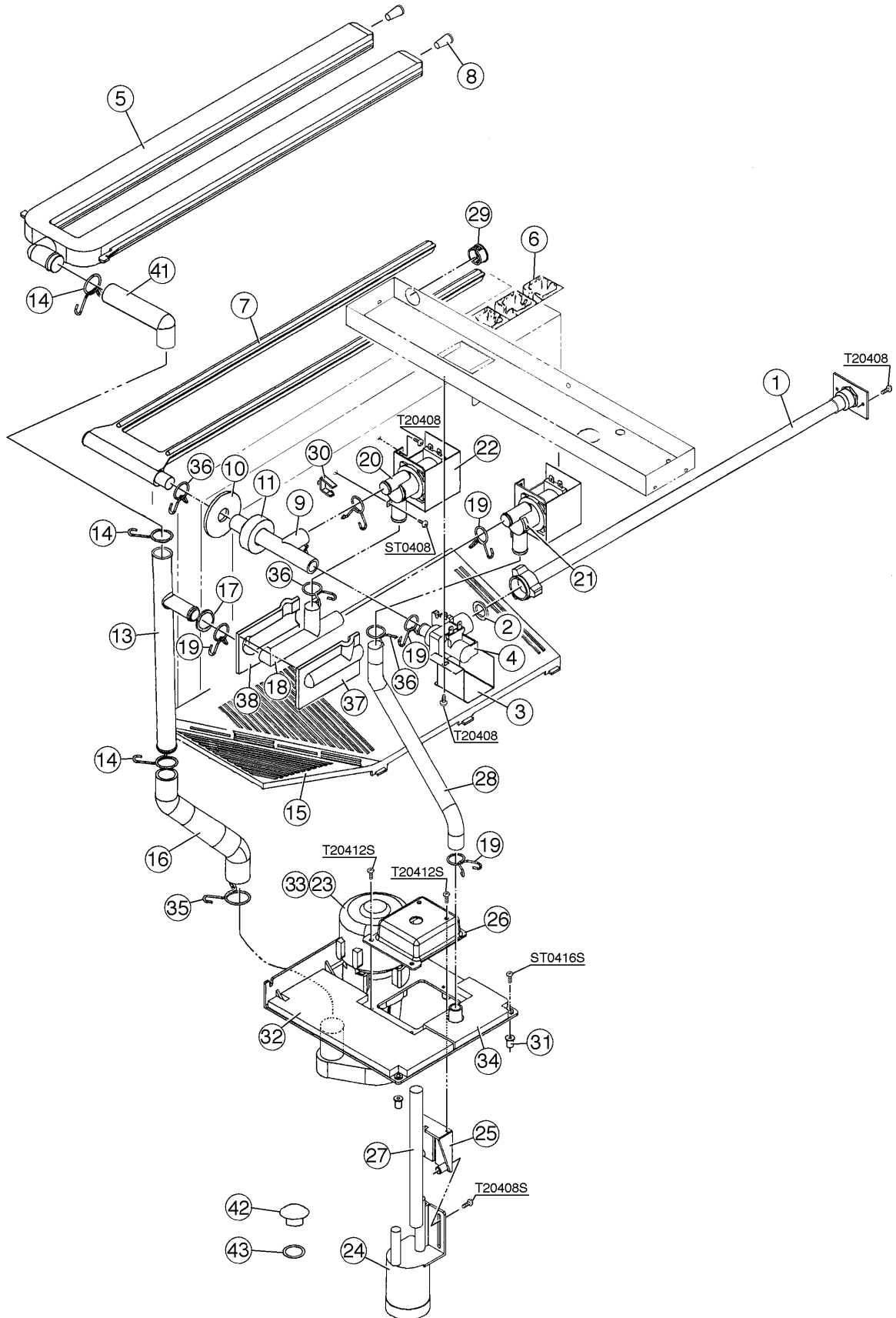
MODEL: KML-400MWE TITLE: B. REFRIGERATION CIRCUIT								
INDEX NO.	DESCRIPTION	MATERIAL OR MODEL NUMBER	PART NUMBER	REQUIRED NUMBER				
				G-0	H-1	H-2	H-3	H-4 J-0
23	COIL - VALVE	ABS-25-1-HD-2	440354-01	1	1	1	1	1
24	BOLT	-	440354F01	1	1	1	1	1
	TRUSS HEAD SCREW	4X8	7C310408	2	2	2	2	2
25	PRESSURE SWITCH	ACB-2UB02	433441-01	1	1	1	1	1
26	PRESSURE SWITCH BRCKT.	GS	434938-01	1	1	1	1	1
	T2 SCREW	4X8	7P32-0408	1	1	1	1	1
27	ACCESS VALVE	TCJ-2F15-HD	417366-01	2	2	2	2	2
28	COPPER TUBE (A) - HIGH SIDE	COPPER	4A0986-01	1	1	1	1	-
		COPPER	4A0986G01					1
29	COPPER TUBE (B) - HIGH SIDE	COPPER	4A0988-01	1	1	1	1	1
30	COPPER TUBE (C) - HIGH SIDE	COPPER	4A0990-01	1	1	1	1	1
31	COPPER TUBE (D1) - HIGH SIDE	COPPER	4A1000-01	1	1	1	1	1
32	COPPER TUBE (D2) - HIGH SIDE	COPPER	4A0992-01	1	1	1	1	1
33	COPPER TUBE (E) - HIGH SIDE	COPPER	3A0628-01	1	1	1	1	1
34	STRAINER	-	4A0397-01	1	1	1	1	1
35	COPPER TUBE (A) - HOT GAS	COPPER	4A0994-01	1	1	1	1	1
36	COPPER TUBE (B) - HOT GAS	COPPER	4A0995-01	1	1	1	1	1
37	COPPER TUBE (C) - HOT GAS	COPPER	2A0679-01	1	1	1	1	1
38	TEE	COPPER	431618-01	1	1	1	1	1
39	TEE	COPPER	436000-08	1	1	1	1	1
40	TEE	COPPER	436000-05	1	1	1	1	1
41	COPPER TUBE (A) - LOW SIDE	COPPER	4A0993-01	1	1	1	1	1
42	ELBOW	COPPER	4A1059-01	1	1	1	1	1
43	ELBOW	COPPER	417395-03	1	1	1	1	1
44	COPPER TUBE - LOW SIDE	COPPER	2A0682-01	1	1	1	1	1
45	COPPER TUBE (A) - ACCESS VALVE	COPPER	4A1009-01	1	1	1	1	1
46	COPPER TUBE (B) - ACCESS VALVE	COPPER	4A1010-01	1	1	1	1	-
		COPPER	4A1800-01					1
47	COPPER TUBE (A)	COPPER	3A0626G01	1	1	1	1	1
	T2 SCREW	4X8	7P31-0408	1	1	1	1	1

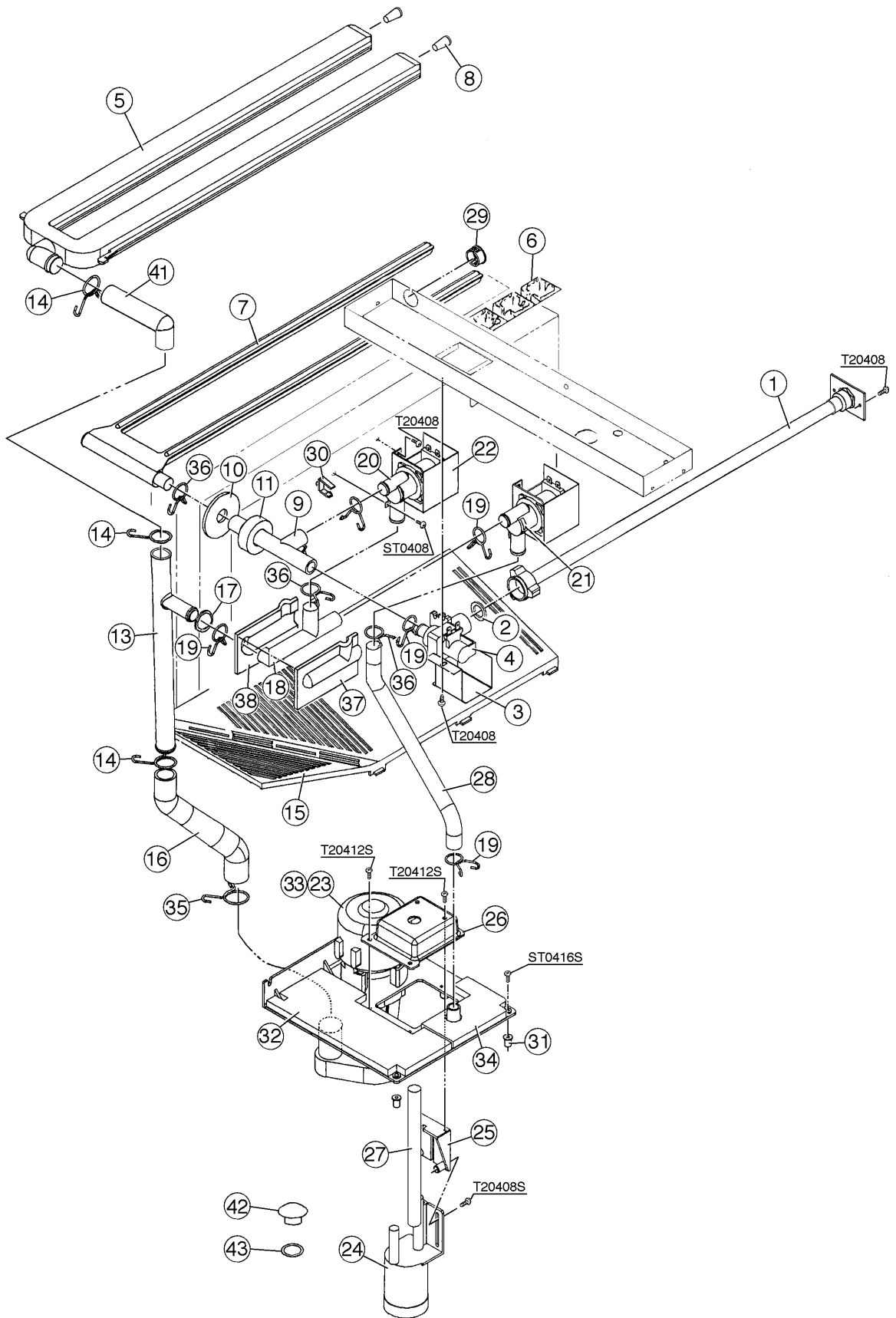
MODEL: KML-400MWE TITLE: B. REFRIGERATION CIRCUIT								
INDEX NO.	DESCRIPTION	MATERIAL OR MODEL NUMBER	PART NUMBER	REQUIRED NUMBER				
				G-0	H-1	H-2	H-3	H-4 J-0
48	COPPER TUBE (B)	COPPER	3A0627G01	1	1	1	1	1
49	HOLDER / EXPANSION VALVE - 3/8	SS	3A0107-01	1	1	1	1	1
50	CLAMP	SS	443461-02	1	1	1	1	1
51	EXPANSION VALVE COVER (A)	PE FOAM	322621-01	1	1	1	1	1
52	EXPANSION VALVE COVER (B)	PE FOAM	322621-02	1	1	1	1	1
53	THERMISTOR	-	429006-03	1	1	1	1	1
54	HOLDER - THERMISTOR	COPPER	427430-01	1	1	1	1	1
55	INSULATION - THERMISTOR (A)	PE FOAM	439368-01	1	1	1	1	1
56	INSULATION - THERMISTOR (B)	PE FOAM	439368-02	1	1	1	1	1
57	INSULATED RUBBER TUBE	EPDM	4A1008G01	1	1	1	1	1
58	FRAME (A)	GS	2A0645-01	1	1	1	1	1
	T2 SCREW	4X8	7P31-0408	4	4	4	4	4
59	FRAME (B)	GS	3A0595-01	1	1	1	1	1
	T2 SCREW	4X8	7P31-0408	4	4	4	4	4
60	CABLE TIE	CV-200	7920-0010	15	15	15	15	15
61	LINE VALVE BRACKET	GS	438213-01	1	1	1	1	1
	T2 SCREW	4X8	7P31-0408	2	2	2	2	2
62	INSULATION TUBE	L=140	7762-1030	1	1	1	1	1
63	INSULATION TUBE	L=580	7762-1330	1	1	1	1	1
64	INSULATION TUBE	L=330	7762-1330	1	1	1	1	1
65	INSULATION TUBE	L=140	7762-2943	1	1	1	1	1
66	INSULATION TUBE	L=30	7762-1020	3	3	3	3	3
67	INSULATION TUBE	L=670	7762-1323	1	1	1	1	1
68	BUSHING	OCB-500	428394-02	1	1	1	1	1
69	EVACUATION TUBE	COPPER	4A1212-01	2	2	2	2	2
70	TEE	COPPER	436000-13	1	1	1	1	1
71	COPPER TUBE (C1) - HIGH SIDE	COPPER	4A1334-01	1	1	1	1	1
72	TEE	COPPER	436000-06	1	1	1	1	1
73	INSULATION TUBE	L=60	7762-2943	1	1	1	1	1











HA

MODEL: KML-400MAE TITLE: C. WATER CIRCUIT								
INDEX NO.	DESCRIPTION	MATERIAL OR MODEL NUMBER	PART NUMBER	REQUIRED NUMBER				
				G-0 H-0	H-1	H-2	H-3 J02385M- J02784B	J02785C-
1	WATER SUPPLY PIPE	COPPER	4A0768G01	1	1	1	1	x1
		COPPER	4A0768G04					o1
	T2 SCREW	4X8	7P310408	2	2	2	2	2
2	RUBBER GASKET	NR	413854-03	1	1	1	1	1
3	WATER VALVE BRACKET	GS	321443-01	1	1	1	1	1
		T2 SCREW	4X8	7P310408	1	1	1	1
4	WATER VALVE	J248-033	3U0111-03	1	1	-		
		J248-072	3U0111-04			1	1	1
5	SPRAY TUBE	PE	1A0019-02	1	1	x1		
		PE	1A0260-02	1	1	o1	1	1
6	SPRAY GUIDE (A)	PE	208586-01	6	6	x6		
		-	1A0260-02			o6	6	6
7	WATER SUPPLY TUBE	PE	2A0079-01	1	1	1	1	1
8	PLUG	EPDM	4A0176-01	2	2	2	2	2
9	WATER SUPPLY TEE	SANTOPRENE	4A1006-01	1	1	1	1	1
10	FLANGE	EPDM	439267-01	1	1	1	1	1
11	INSULATION (E)	PE FOAM	4A0392-01	1	1	1	1	1
12	VINYL HOSE	L=50	7716-2025	1	1	1	1	-
13	CONNECTING PIPE	PE	3A0611-01	1	1	1	1	-
		-	3A1335-01					1
14	HOSE CLAMP	SS, 25 mm	427443-03	3	3	3	3	3
15	CUBE GUIDE (A)	ABS	2A0660-01	1	1	1	1	1
16	PUMP HOSE	EPDM	4A1007-01	1	1	1	1	1
17	RUBBER RING	EPDM	4A1004-01	1	1	1	1	1
18	BYPASS HOSE	SANTOPRENE	4A1005-01	1	1	1	1	1
19	HOSE CLAMP	SS, 18 mm	427443-05	5	5	5	5	5
20	SOLENOID VALVE	207CB-GS1873	439322-01	2	2	2	2	2
	TRUSS HEAD SCREW	4X8	7C31-0408	2	2	2	2	2

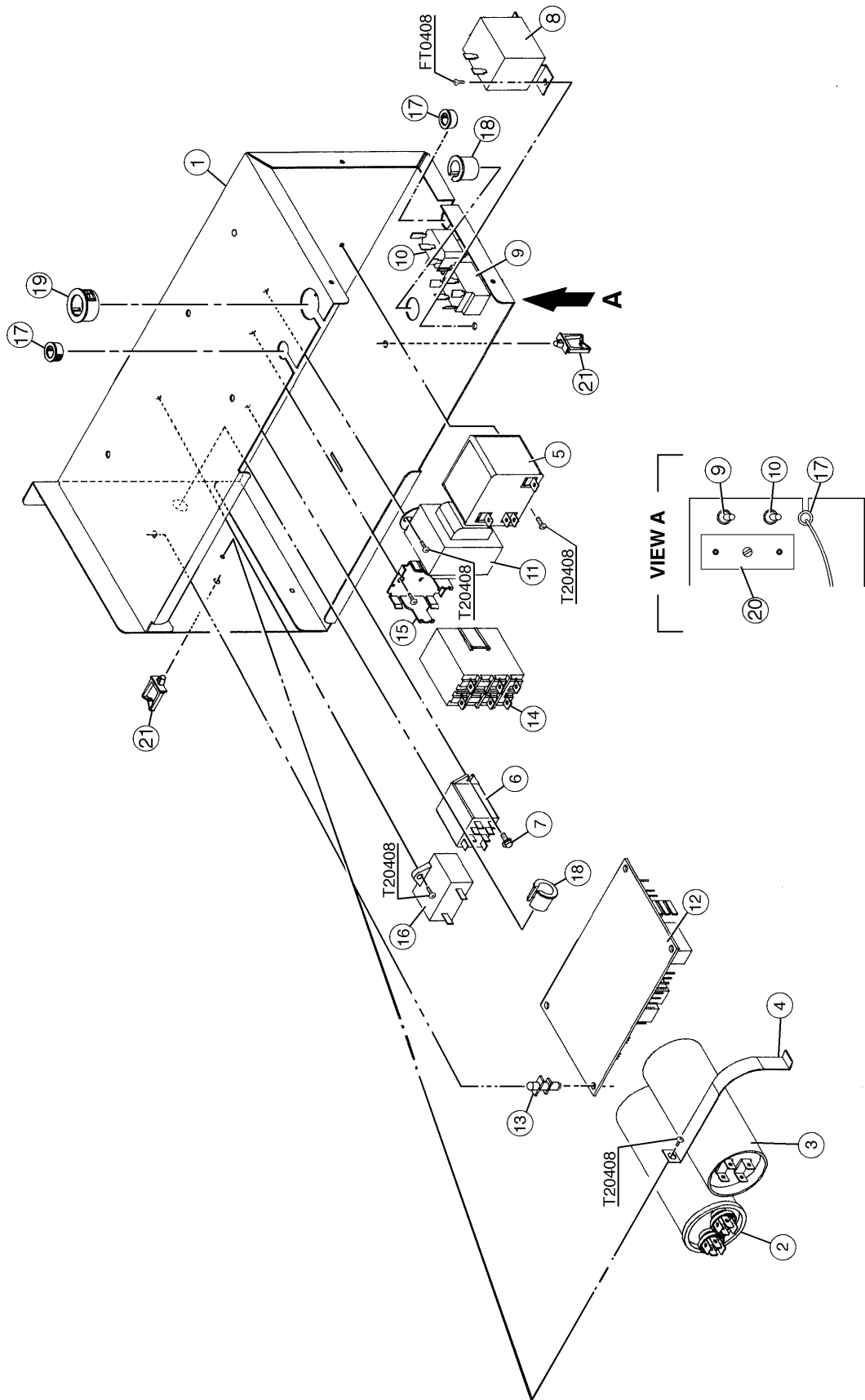
HA

MODEL: KML-400MAE TITLE: C. WATER CIRCUIT								
INDEX NO.	DESCRIPTION	MATERIAL OR MODEL NUMBER	PART NUMBER	REQUIRED NUMBER				
				G-0 H-0	H-1 H-2	H-3	J02385M- J02784B	J02785C-
21	ARROW LABEL	PES	4A0096-01	1	1	1	1	1
22	SOLENOID COVER	GS	4A0996-01	2	2	2	2	2
	T2 SCREW	4X8	7P31-0408	4	4	4	4	4
23	PUMP	-	2A0749-01	1	1	1	1	1
	TRUSS HEAD SCREW	4X16, SS	7C32-0416	4	4	4	4	4
24	FLOAT SWITCH	163795	4A0886-01	1	1	1	1	1
	T2 SCREW	4X8, SS	7P32-0408	2	2	2	2	2
25	FLOAT SWITCH BRACKET	ABS	327757-01	1	1	1	1	1
	T2 SCREW	4X12, SS	7P32-0412	2	2	2	2	2
26	FLOAT SWITCH COVER	ABS	3A0665-01	1	1	1	1	1
	T2 SCREW	4X12, SS	7P32-0412	3	3	3	3	3
27	VINYL HOSE	L=150	7716-1216	1	1	1	1	1
28	SILICONE HOSE	L=275	7730-1519	1	1	x1		
		L=295	7730-1519			o1	1	1
29	BUSHING	OCB-875	428394-04	1	1	1	1	1
30	WIRE SADDLE	VWS4238-C	4A0338-02	8	8	8	8	8
31	WELL NUT	347011	4A1070-01	2	2	2	2	2
32	INSULATION (A) - PUMP BRACKET	PE FOAM	4A1052-01	1	1	1	1	1
33	TOOTH WASHER	ZINC, M4	7R21-0400	1	1	1	1	1
	T2 SCREW	4X8	7P31-0408	1	1	1	1	1
34	INSULATION (B) - PUMP BRACKET	PE FOAM	4A1053-01	1	1	1	1	1
35	HOSE CLAMP	SS, 27 mm	427443-08	1	1	1	1	1
36	HOSE CLAMP	SS, 20 mm	427443-06	3	3	3	3	3
37	INSULATION (A1) - BYPASS HOSE	NP	4A1259-01	1	1	1	1	1
38	INSULATION (A2) - BYPASS HOSE	NP	4A1260-01	1	1	1	1	1
39	INSULATION HOSE	L=25	7762-2030	1	1	1	-	
40	FLOAT SWITCH SPACER	ABS	4A0650-01	1	1	1	1	-
41	ELBOW	-	4A0393-01					1
42	DRAIN	-	309246-01					1
43	O-RING	1AP15	7611-P015					1

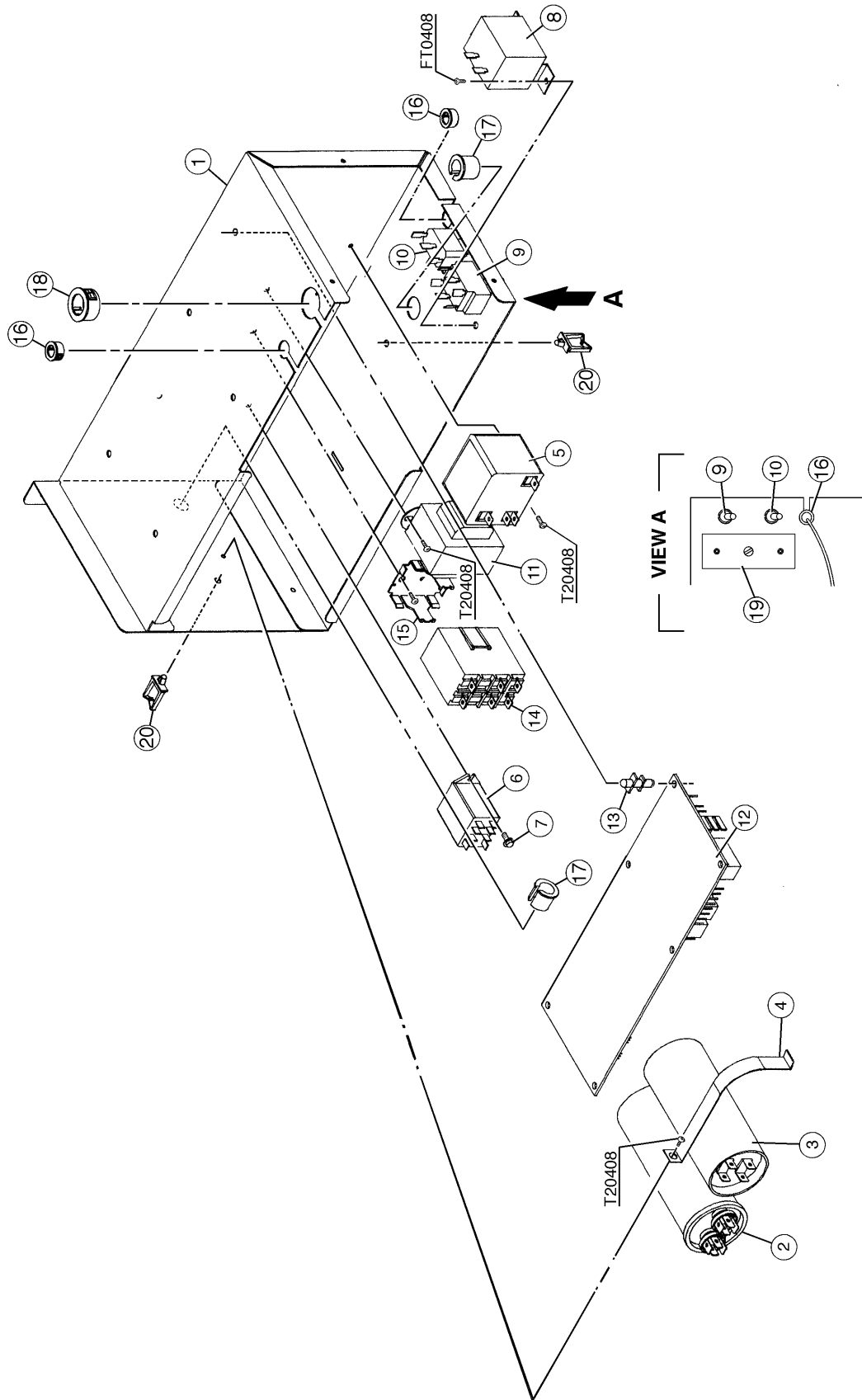
MODEL: KML-400MWE TITLE: C. WATER CIRCUIT								
INDEX NO.	DESCRIPTION	MATERIAL OR MODEL NUMBER	PART NUMBER	REQUIRED NUMBER				
				G-0 H-1	H-2	H-3	H-4 J00466M- J00615B	J00616C-
1	WATER SUPPLY PIPE	COPPER	4A0768G01	1	1	1	1	x1
		COPPER	4A0768G04					o1
	T2 SCREW	4X8	7P310408	2	2	2	2	2
2	RUBBER GASKET	NR	413854-03	1	1	1	1	1
3	WATER VALVE BRACKET	GS	321443-01	1	1	1	1	1
	T2 SCREW	4X8	7P310408	1	1	1	1	1
4	WATER VALVE	J248-033	3U0111-03	1	1	-		
		J248-072	3U0111-04			1	1	1
5	SPRAY TUBE	PE	1A0019-02	1	x1			
		PE	1A0260-02	1	o1	1	1	1
6	SPRAY GUIDE (A)	PE	208586-01	6	x6			
		-	1A0260-02		o6	6	6	6
7	WATER SUPPLY TUBE	PE	2A0079-01	1	1	1	1	1
8	PLUG	EPDM	4A0176-01	2	2	2	2	2
9	WATER SUPPLY TEE	SANTOPRENE	4A1006-01	1	1	1	1	1
10	FLANGE	EPDM	439267-01	1	1	1	1	1
11	INSULATION (E)	PE FOAM	4A0392-01	1	1	1	1	1
12	VINYL HOSE	L=50	7716-2025	1	1	1	1	-
13	CONNECTING PIPE	PE	3A0611-01	1	1	1	1	-
		-	3A1335-01					1
14	HOSE CLAMP	SS, 25 mm	427443-03	3	3	3	3	3
15	CUBE GUIDE (A)	ABS	2A0660-01	1	1	1	1	1
16	PUMP HOSE	EPDM	4A1007-01	1	1	1	1	1
17	RUBBER RING	EPDM	4A1004-01	1	1	1	1	1
18	BYPASS HOSE	SANTOPRENE	4A1005-01	1	1	1	1	1
19	HOSE CLAMP	SS, 18 mm	427443-05	5	5	5	5	5
20	SOLENOID VALVE	207CB-GS1873	439322-01	2	2	2	2	2
	TRUSS HEAD SCREW	4X8	7C31-0408	2	2	2	2	2

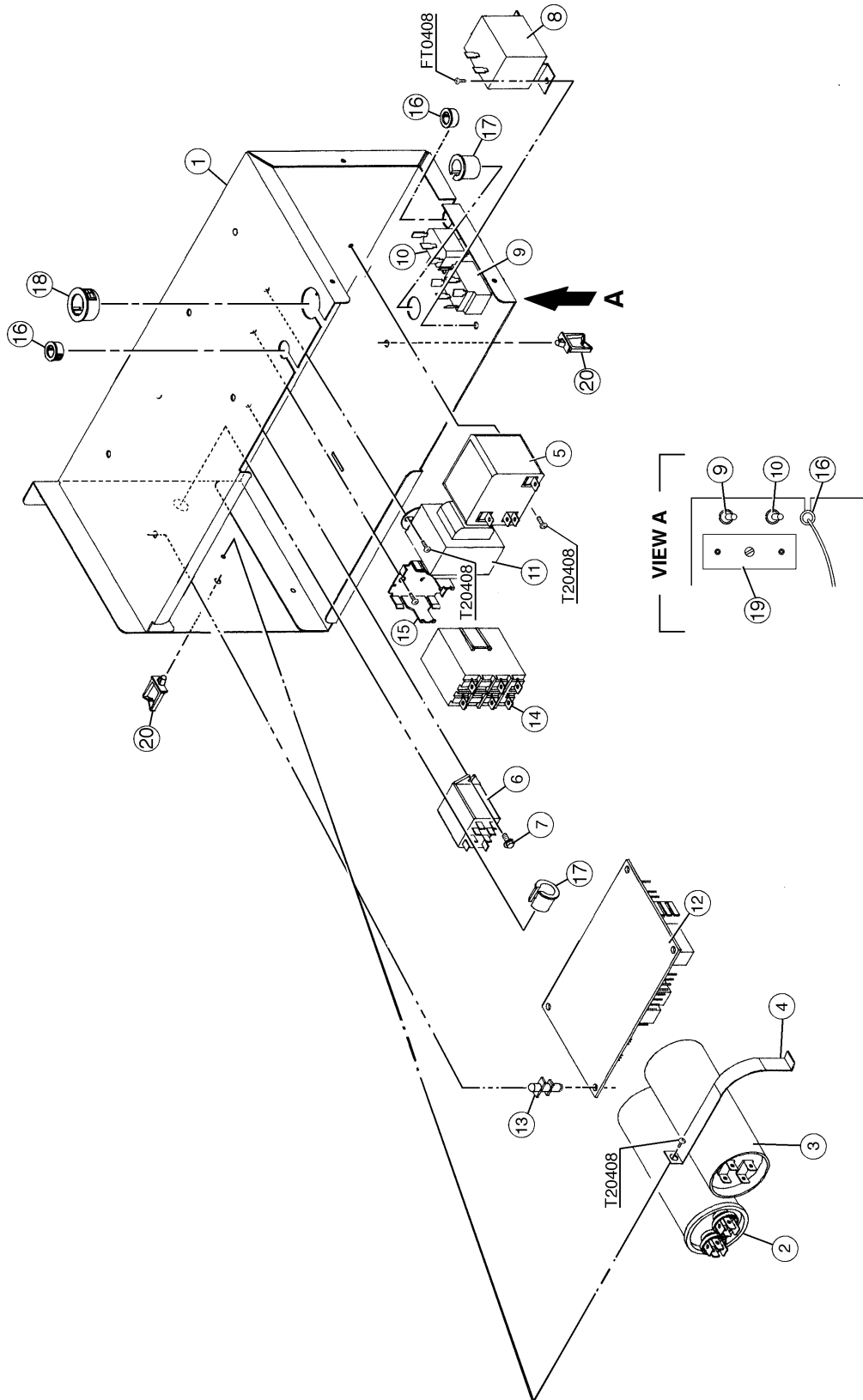
HA

MODEL: KML-400MWE TITLE: C. WATER CIRCUIT								
INDEX NO.	DESCRIPTION	MATERIAL OR MODEL NUMBER	PART NUMBER	REQUIRED NUMBER				
				G-0 H-1	H-2	H-3 H-4	J00466M- J00615B	J00616C-
21	ARROW LABEL	PES	4A0096-01	1	1	1	1	1
22	SOLENOID COVER	GS	4A0996-01	2	2	2	2	2
	T2 SCREW	4X8	7P31-0408	4	4	4	4	4
23	PUMP	-	2A0749-01	1	1	1	1	1
	TRUSS HEAD SCREW	4X16, SS	7C32-0416	4	4	4	4	4
24	FLOAT SWITCH	163795	4A0886-01	1	1	1	1	1
	T2 SCREW	4X8, SS	7P32-0408	2	2	2	2	2
25	FLOAT SWITCH BRACKET	ABS	327757-01	1	1	1	1	1
	T2 SCREW	4X12, SS	7P32-0412	2	2	2	2	2
26	FLOAT SWITCH COVER	ABS	3A0665-01	1	1	1	1	1
	T2 SCREW	4X12, SS	7P32-0412	3	3	3	3	3
27	VINYL HOSE	L=150	7716-1216	1	1	1	1	1
28	SILICONE HOSE	L=275	7730-1519	1	1	x1		
		L=295	7730-1519			o1	1	1
29	BUSHING	OCB-875	428394-04	1	1	1	1	1
30	WIRE SADDLE	VWS4238-C	4A0338-02	8	8	8	8	8
31	WELL NUT	347011	4A1070-01	2	2	2	2	2
32	INSULATION (A) - PUMP BRACKET	PE FOAM	4A1052-01	1	1	1	1	1
33	TOOTH WASHER	ZINC, M4	7R21-0400	1	1	1	1	1
	T2 SCREW	4X8	7P31-0408	1	1	1	1	1
34	INSULATION (B) - PUMP BRACKET	PE FOAM	4A1053-01	1	1	1	1	1
35	HOSE CLAMP	SS, 27 mm	427443-08	1	1	1	1	1
36	HOSE CLAMP	SS, 20 mm	427443-06	3	3	3	3	3
37	INSULATION (A1) - BYPASS HOSE	NP	4A1259-01	1	1	1	1	1
38	INSULATION (A2) - BYPASS HOSE	NP	4A1260-01	1	1	1	1	1
39	INSULATION HOSE	L=25	7762-2030	1	1	1	-	
40	FLOAT SWITCH SPACER	ABS	4A0650-01	1	1	1	1	-
41	ELBOW	-	4A0393-01					1
42	DRAIN	-	309246-01					1
43	O-RING	1AP15	7611-P015					1

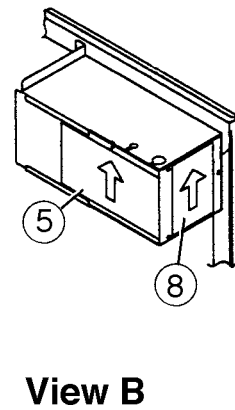
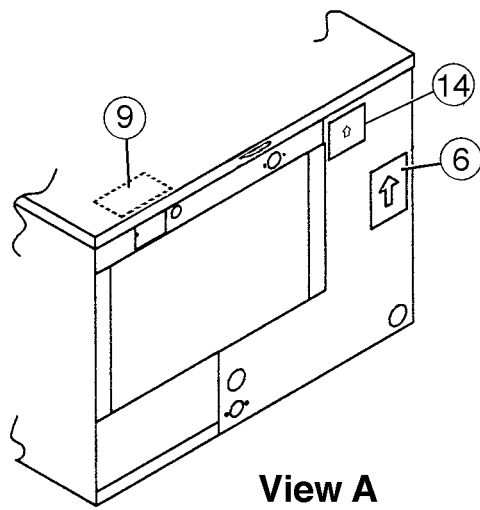
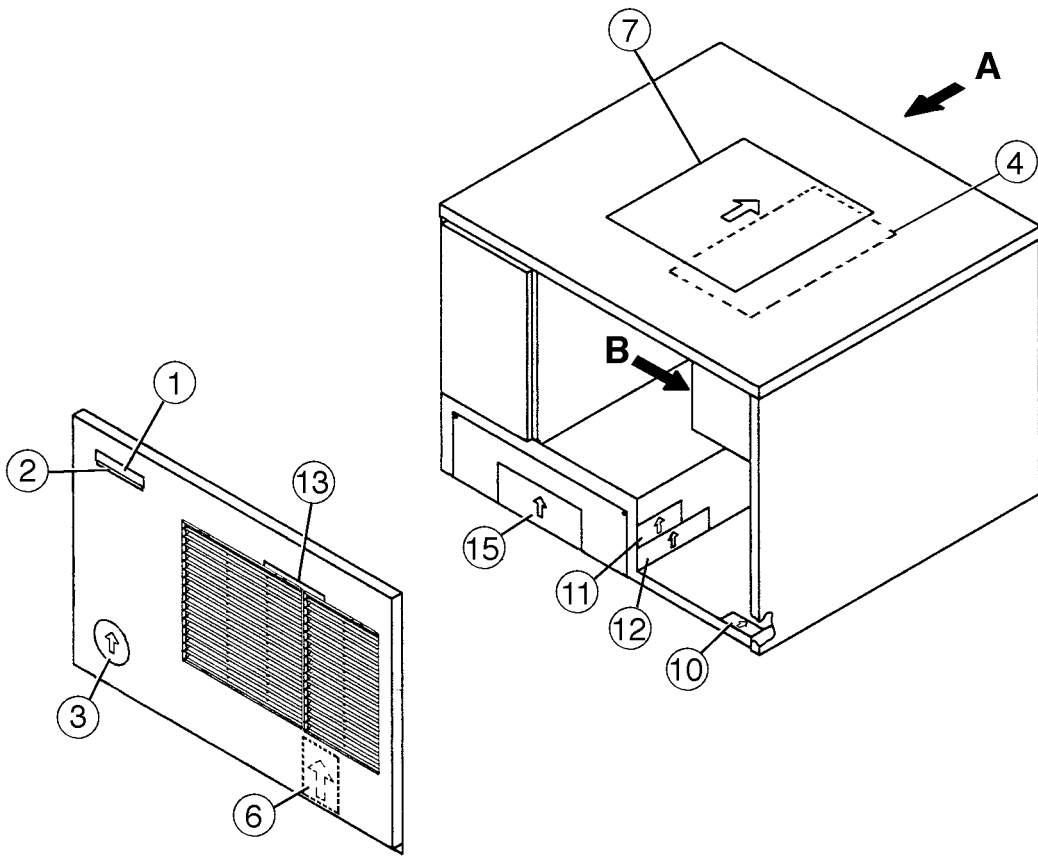


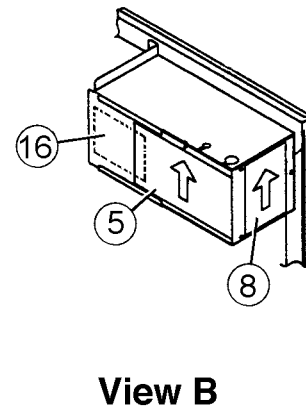
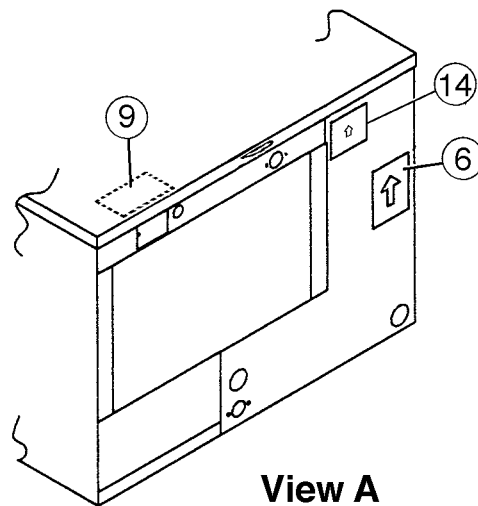
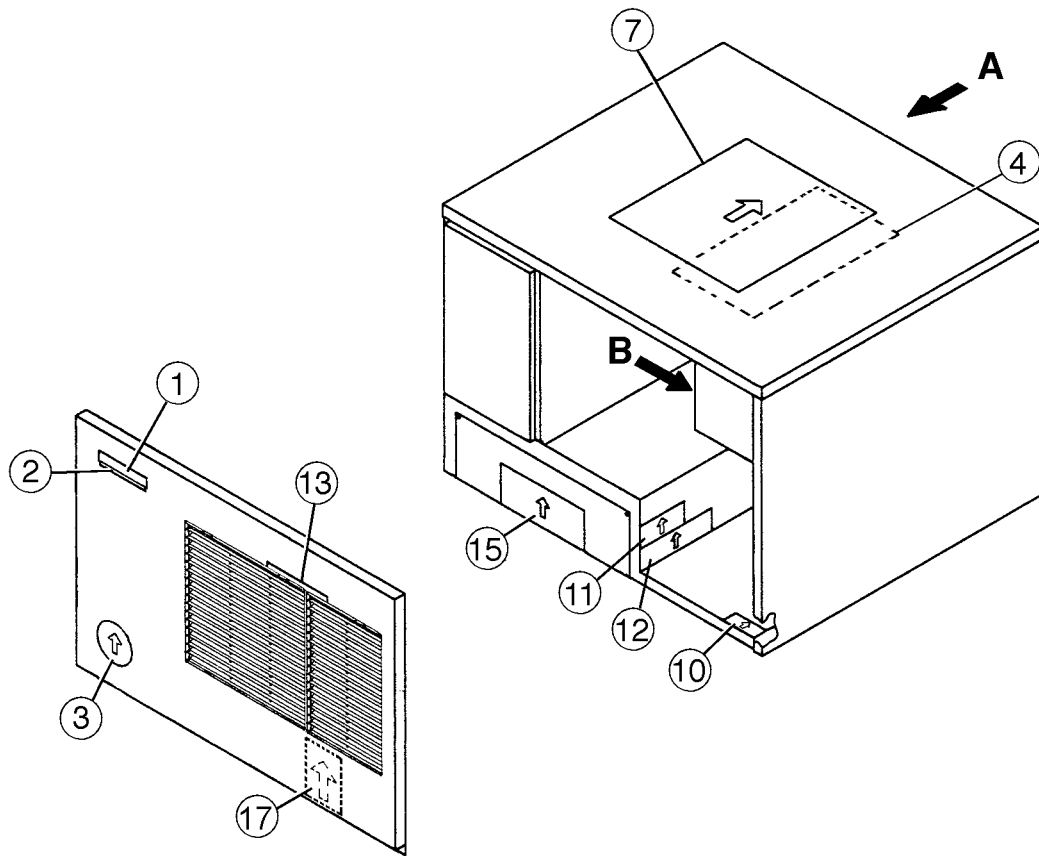
MODEL: KML-400MAE TITLE: D. CONTROL BOX ASSEMBLY								
INDEX NO.	DESCRIPTION	MATERIAL OR MODEL NUMBER	PART NUMBER	REQUIRED NUMBER				
				G-0 H-0	H-1	H-2	H-3	J-0
1	CONTROL BOX	GS	3A0602G01	1	1	1	1	1
2	CAPACITOR	25 \bar{r} 440 VAC	439943-06	1	1	1	1	1
3	CAPACITOR - STARTING	88-108 \bar{r} 250V	3A0076-03	1	1	1	1	1
4	STRAP	GS	434580-10	1	1	1	1	x1
		GS	434580-11					o1
	T2 SCREW	4X8	7P31-0408	1	1	1	1	1
5	STARTER	040-0001-20	434923-01	1	1	1	1	1
	T2 SCREW	4X8	7P31-0408	1	1	1	1	1
6	RELAY	LY2F 120 VAC	406132-07	1	1	1	1	1
7	TAPPING SCREW	3X8	431415-01	2	2	2	2	2
8	THERMOSTAT	A30-3815-00	4A0824-01	1	1	1	1	1
	TRUSS HEAD SCREW	4X8	7C31-0408	2	2	2	2	2
9	TOGGLE SWITCH	7563K6	443119-01	1	1	1	1	1
10	TOGGLE SWITCH	8966K211	4A0985-01	1	1	1	1	1
11	TRANSFORMER	26D285H	3A0172-01	1	1	1	1	1
	T2 SCREW	4X8	7P31-0408	2	2	2	2	2
12	CONTROLLER BOARD	MY9KM910	2U0127-01	1	-			
		HOSHIZAKI-001	2A0836-01		1	1	1	1
13	BOARD SUPPORT	CBLS37-M	4A0336-03	6	4	4	4	4
14	MAGNETIC CONTACTOR	VC20	428393-01	1	1	1	1	1
15	BRACKET	BW 9154	428393F01	1	1	1	1	1
	T2 SCREW	4X8	7P31-0408	2	2	2	2	2
16	CAPACITOR	5 \bar{r} 250 VAC	443192-02	1	1	1	1	1
	T2 SCREW	4X8	7P31-0408	1	1	1	1	1
17	BUSHING	OCB-500	428394-02	2	2	2	2	2
18	BUSHING	OCB-625	428394-03	2	2	2	2	2
19	BUSHING	OCB-875	428394-04	1	1	1	1	1
20	CONTROL LABEL	PES FILM	434934-01	1	1	1	-	
		PES FILM	4A1758-01				1	1
21	WIRE SADDLE	VWS4238-C	4A0338-02	2	2	2	2	2

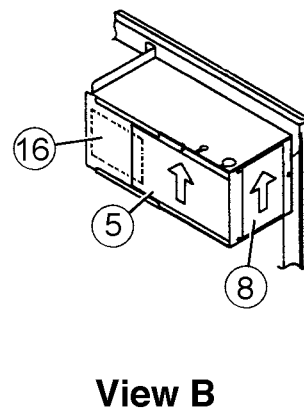
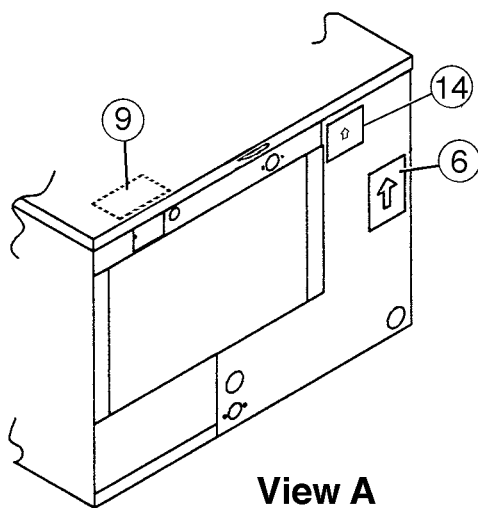
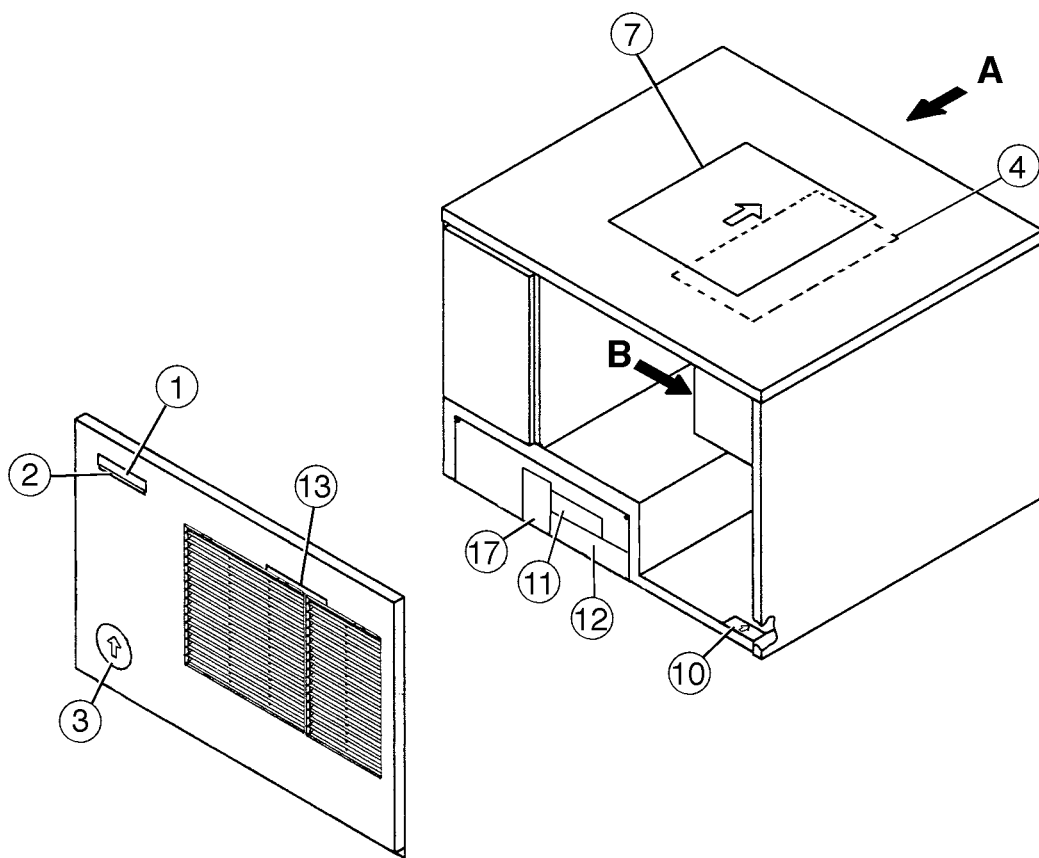




MODEL: KML-400MWE TITLE: D. CONTROL BOX ASSEMBLY								
INDEX NO.	DESCRIPTION	MATERIAL OR MODEL NUMBER	PART NUMBER	REQUIRED NUMBER				
				G-0 H-1	H-2	H-3	H-4	J-0
1	CONTROL BOX	GS	3A0602G01	1	1	1	1	1
2	CAPACITOR	25 μ 440 VAC	439943-06	1	1	1	1	1
3	CAPACITOR - STARTING	88-108 μ 250V	3A0076-03	1	1	1	1	1
4	STRAP	GS	434580-10	1	1	1	1	x1
		GS	434580-11					o1
	T2 SCREW	4X8	7P31-0408	1	1	1	1	1
5	STARTER	040-0001-20	434923-01	1	1	1	1	1
	T2 SCREW	4X8	7P31-0408	1	1	1	1	1
6	RELAY	LY2F 120 VAC	406132-07	1	1	1	1	1
7	TAPPING SCREW	3X8	431415-01	2	2	2	2	2
8	THERMOSTAT	A30-3815-00	4A0824-01	1	1	1	1	1
	TRUSS HEAD SCREW	4X8	7C31-0408	2	2	2	2	2
9	TOGGLE SWITCH	7563K6	443119-01	1	1	1	1	1
10	TOGGLE SWITCH	8966K211	4A0985-01	1	1	1	1	1
11	TRANSFORMER	26D285H	3A0172-01	1	1	1	1	1
	T2 SCREW	4X8	7P31-0408	2	2	2	2	2
12	CONTROLLER BOARD	MY9KM910	2U0127-01	1	-			
		HOSHIZAKI-001	2A0836-01		1	1	1	1
13	BOARD SUPPORT	CBLS37-M	4A0336-03	6	4	4	4	4
14	MAGNETIC CONTACTOR	VC20	428393-01	1	1	1	1	1
15	BRACKET	BW9154	428393F01	1	1	1	1	1
	T2 SCREW	4X8	7P31-0408	2	2	2	2	2
16	BUSHING	OCB-500	428394-02	2	2	2	2	2
17	BUSHING	OCB-625	428394-03	2	2	2	2	2
18	BUSHING	OCB-875	428394-04	1	1	1	1	1
19	CONTROL LABEL	PES FILM	434934-01	1	-			
		PES FILM			1	1	1	1
20	WIRE SADDLE	VWS4238-C	4A0338-02	2	2	2	2	2

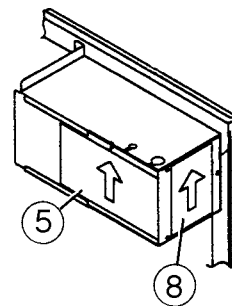
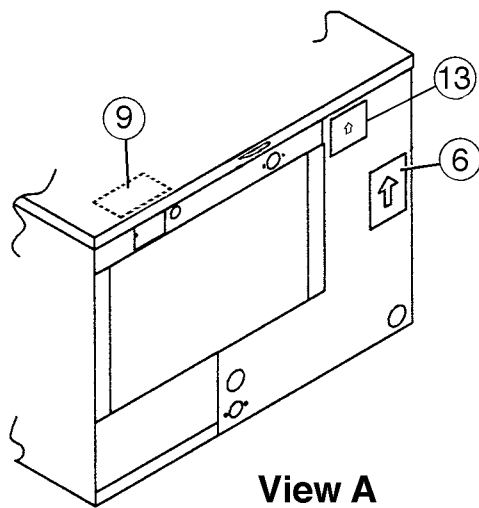
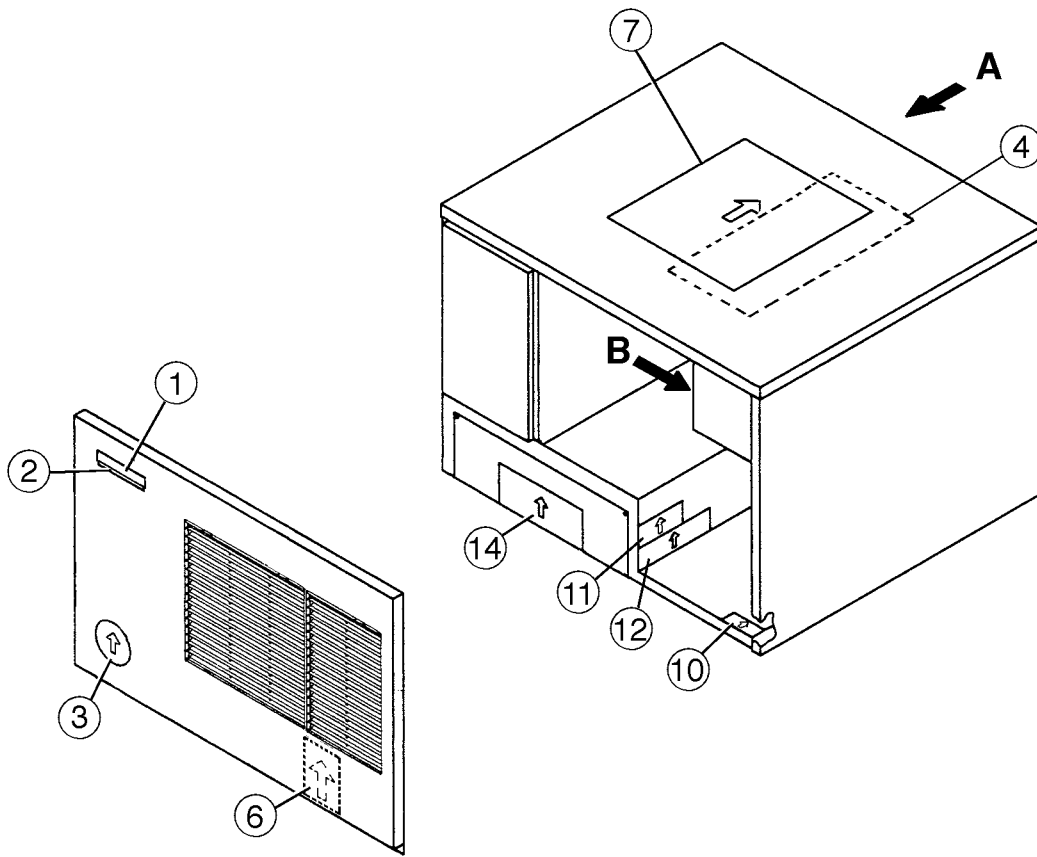


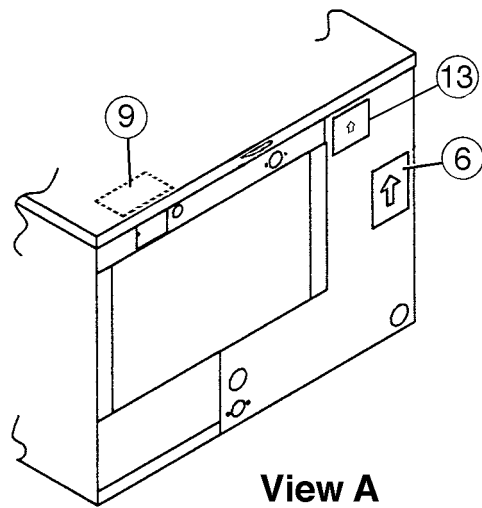
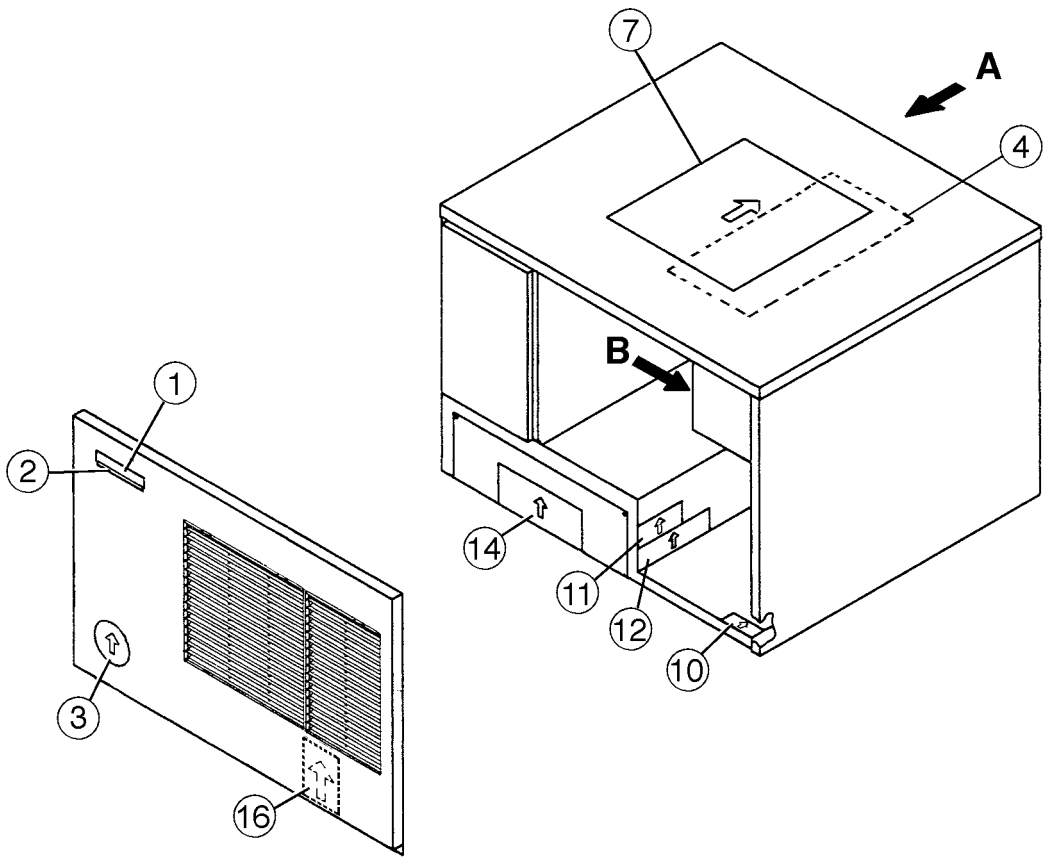




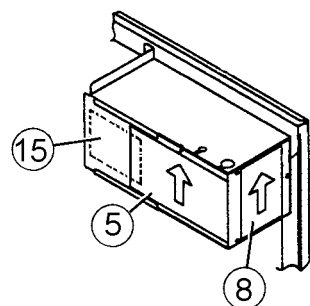
HA

MODEL: KML-400MAE TITLE: E. LABEL LOCATION								
INDEX NO.	DESCRIPTION	MATERIAL OR MODEL NUMBER	PART NUMBER	REQUIRED NUMBER				
				G-0 H-0	H-1	H-2	H-3 J02385M- J02784B	J02785C-
1	EMBLEM	PETP FILM	4A0560-01	1	1	1	1	1
2	MODEL NUMBER LABEL	PETP FILM	443341-33	1	1	1	1	1
3	LABEL - PENGUIN - HA (R)	PETP FILM	4A0526-01	1	1	1	1	1
4	MAINTENANCE LABEL	PVC FILM	3A0878-01	1	1	1	1	1
5	WIRING LABEL	PVC FILM	3A0637-01	1	1	1	1	1
6	NAMEPLATE	PES FILM	4A1088-01	2	1	1	1	1
7	INSTRUCTION SHEET	PAPER	2A0750-01	1	1	1	1	-
		PAPER	2A1253-01					1
8	MANUAL LABEL	PVC FILM	4A1090-01	1	1	1	1	1
9	TAG - WARNING: ELECTRICAL CONNECTION	PAPER	435005-01	1	1	1	1	1
10	LABEL - R22	PES FILM	440362-01	1	1	1	1	1
11	CAUTION LABEL (F)	PVC FILM	439146-01	1	1	1	1	1
12	CAUTION LABEL (K)	PVC FILM	439150-01	1	1	1	1	1
13	LABEL - AIR FILTER	PETP FILM	426177-01	1	1	1	1	1
14	INSTRUCTION LABEL	PVC FILM	444575-01	1	1	1	1	1
15	WARNING LABEL - MANUAL FILL	PVC FILM	4A1091-01	1	1	1	1	-
16	LABEL – CONTROL BOARD	PVC FILM	3A0988-01		1	1	1	1
17	RATING LABEL	PES FILM	4A1611-01		1	1	1	1

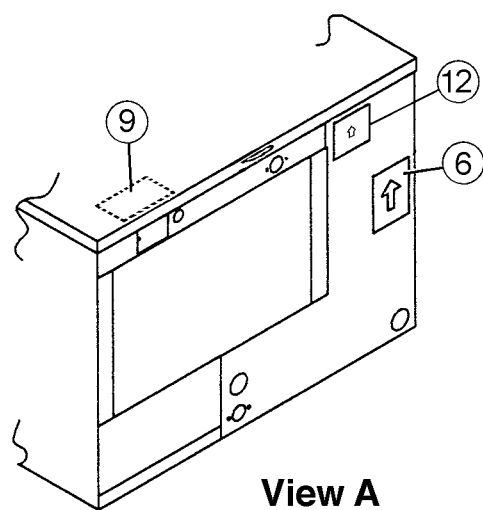
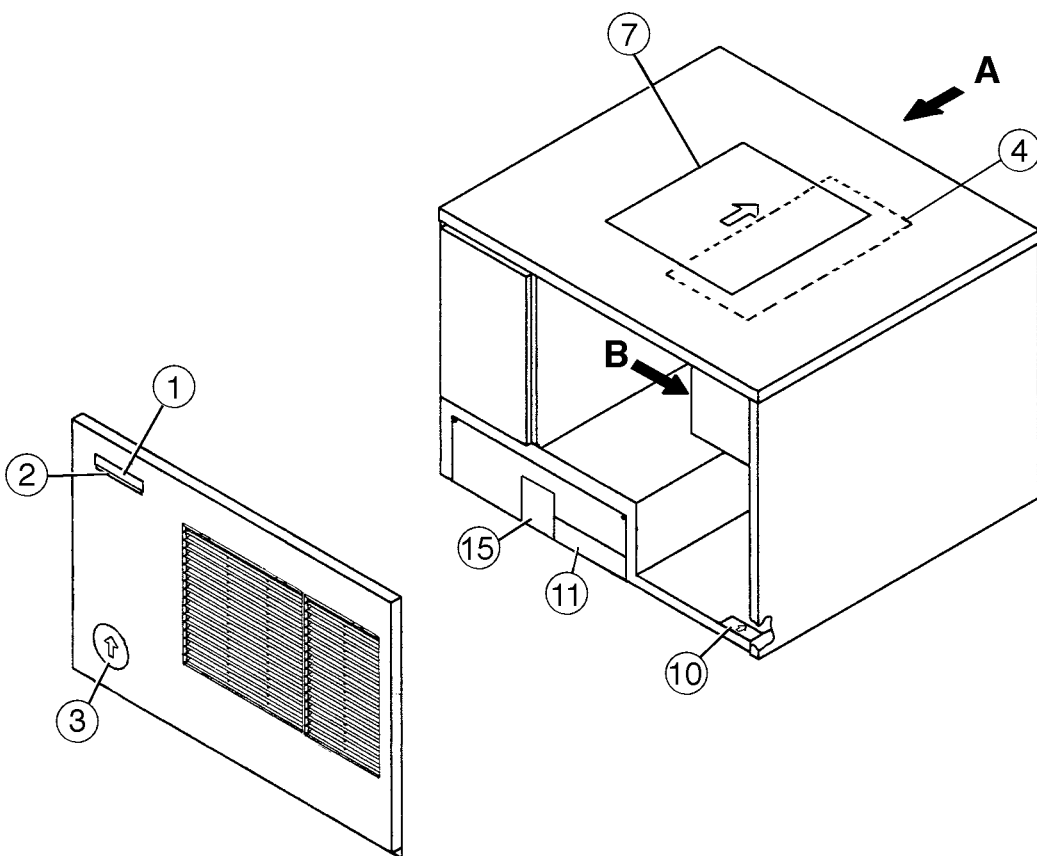




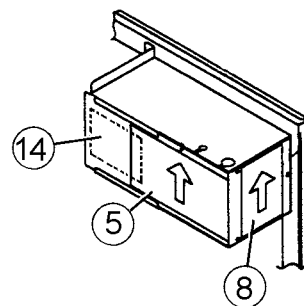
View A



View B



View A



View B

HA

MODEL: KML-400MWE TITLE: E. LABEL LOCATION								
INDEX NO.	DESCRIPTION	MATERIAL OR MODEL NUMBER	PART NUMBER	REQUIRED NUMBER				
				G-0 H-1	H-2	H-3	H-4 J00466M- J00615B	J00616C-
1	EMBLEM	PETP FILM	4A0560-01	1	1	1	1	1
2	MODEL NUMBER LABEL	PETP FILM	443341-34	1	1	1	1	1
3	LABEL - PENGUIN - HA (R)	PETP FILM	4A0526-01	1	1	1	1	1
4	MAINTENANCE LABEL	PVC FILM	3A0878-01	1	1	1	1	1
5	WIRING LABEL	PVC FILM	3A0637-01	1	1	1	-	
		PVC FILM	3A1211-01				1	1
6	NAMEPLATE	PES FILM	4A1089-01	2	1	1	1	1
7	INSTRUCTION SHEET	PAPER	2A0750-01	1	1	1	1	1
8	MANUAL LABEL	PVC FILM	4A1090-01	1	1	1	1	1
9	TAG - WARNING: ELECTRICAL CONNECTION	PAPER	435005-01	1	1	1	1	1
10	LABEL - R22	PES FILM	440362-01	1	1	1	1	1
11	CAUTION LABEL (F)	PVC FILM	439146-01	1	1	1	1	1
12	CAUTION LABEL (K)	PVC FILM	439150-01	1	1	1	1	1
13	INSTRUCTION LABEL	PVC FILM	444575-01	1	1	1	1	1
14	WARNING LABEL - MANUAL FILL	PVC FILM	4A1091-01	1	1	1	1	-
15	LABEL – CONTROL BOARD	PVC FILM	3A0988-01		1	1	1	1
16	RATING LABEL	PES FILM	4A1612-01		1	1	1	1

