



Reliability is a  
beautiful thing™

# **HOSHIZAKI®**

## **MODULAR CRESCENT CUBER**

### **MODELS**

**KMD-900MAH**

**KMD-900MWH**

**KMD-900MRH**

### **PARTS LIST**



ITEM #: 71222  
ISSUED: JUNE 2, 2003  
REVISED: OCT. 21, 2003

<b>KMD-900MAH</b>	N-0	MAY, 2003
	N-1	SEPT., 2003
<b>KMD-900MWH</b>	N-0	MAY, 2003
	N-1	OCT., 2003
<b>KMD-900MRH</b>	N-0	MAY, 2003
	N-1	SEPT., 2003

## MATERIAL ABBREVIATIONS

### ALUMINUM

AL = Aluminum

### COPPER

CU = Copper

### PLASTIC

ABS = Acrylonitrile -butadiene - styrene  
 AC = Polyacetal  
 EVA = Ethylene vinyl acetate  
 PA = Polyamide = Nylon  
 PC = Polycarbonate  
 PE = Polyethylene  
 PES = Polyester  
 PETP = Polyethylene terephthalate = Tetlon  
 PP = Polypropylene  
 PS = Polystyrene  
 PTFE = Polytetrafluoroethylene = Teflon  
 PUR = Polyurethane  
 PVC = Polyvinyl chloride

### RUBBER

VN = Vinyl Nitrile  
 EPDM = EP rubber  
 NBR = Nitrile butadiene rubber  
 NR = Natural rubber  
 NP = Neoprene  
 SI.R = Silicone rubber  
 SY.R = Synthetic rubber  
 EPH = Epichlorohydrin

### STEEL

G.S = Galvanized steel  
 S.S = Stainless steel  
 PS = Plated steel  
 PAS = Primed steel

## AUXILIARY CODE

Ex.1

K-0

├──

└──

"K" is the tenth in alphabetical order with "I" skipped. So, "K" indicates "2000".

**(Note)** - = Part deleted.

x = Part deleted and replaced by "o" (interchangeable) part.

Ex.2

L-0

├──

└──

"L" is the next in alphabetical order. So, "L" indicates "2001".

o = New part for "x" in the same auxiliary code.

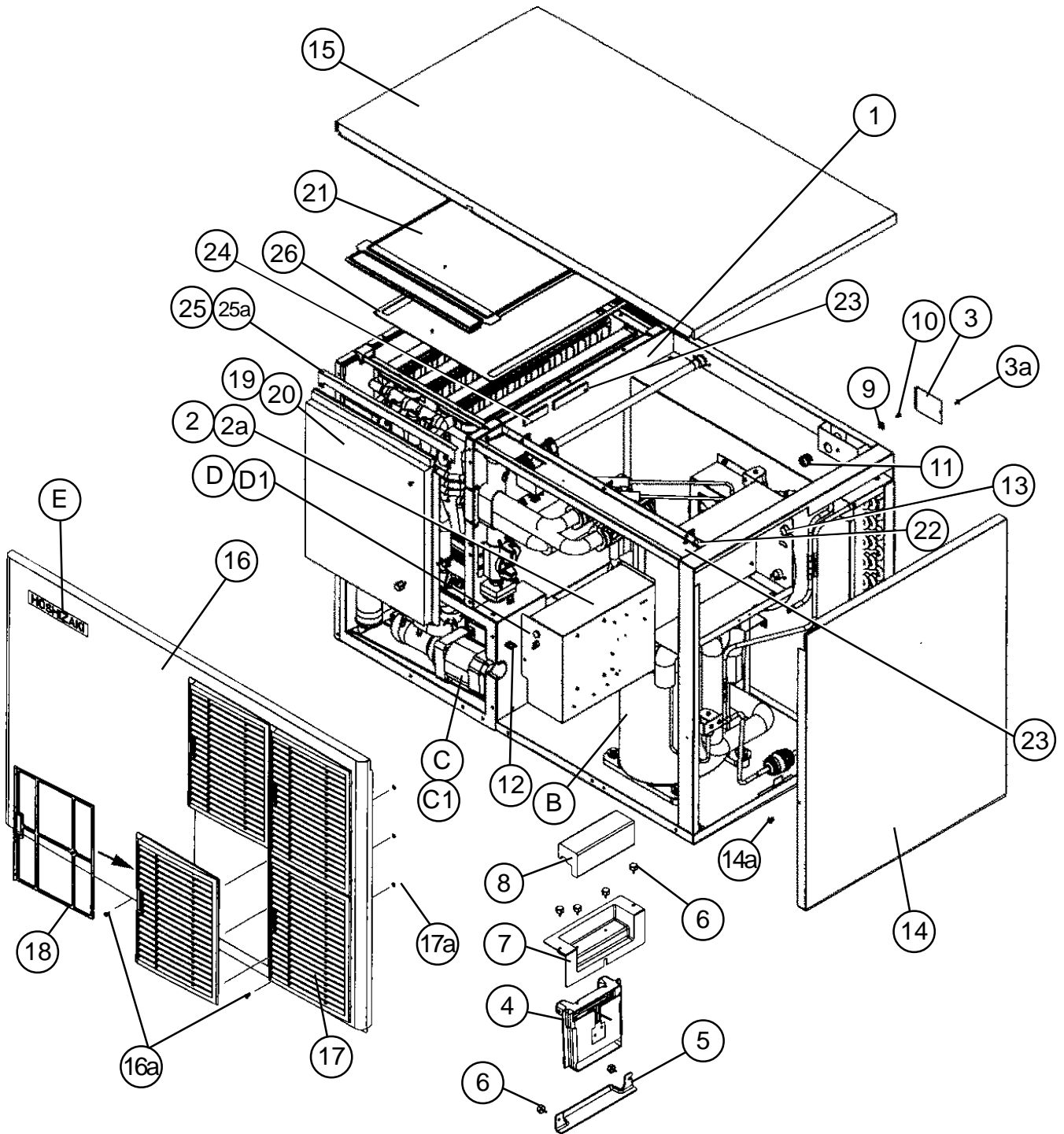
Ex.3

L-1

├──

└──

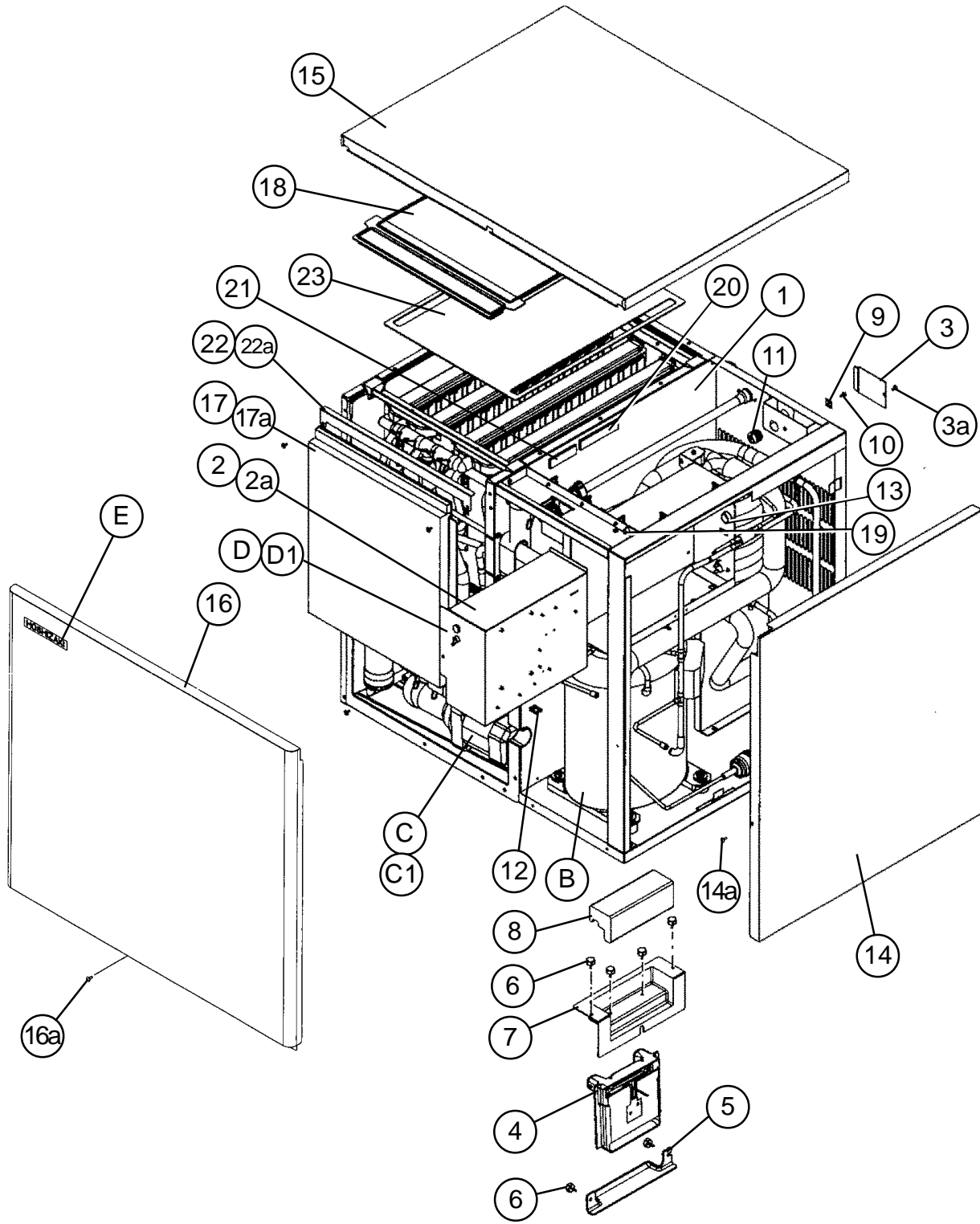
Each time a part is changed non-interchangeably in a year, this number advances.



HA

MODEL: KMD-900MAH TITLE: A. ICE CUBER ASSEMBLY										
INDEX NO.	DESCRIPTION	MATERIAL OR MODEL NUMBER	PART NUMBER	REQUIRED NUMBER						
				N-0	N-1					
B	REFRIGERATION CIRCUIT	-	1A0783A01	1	1					
C	WATER CIRCUIT	-	1A0800A01	1	x1					
		-	1A0800A01		o1					
C1	TRUSS HEAD SCREW	4X8, SS	7C32-0408	2	2					
D	CONTROL BOX ASSEMBLY	-	2A2871A01	1	1					
D1	T2 SCREW	4X8	7P31-0408	1	1					
E	LABEL LOCATION	-	2A2877A01	1	1					
1	EVAPORATOR CASE	-	1A0803G01	1	x1					
		-	1A0864G01		o1					
2	CONTROL BOX COVER	GS	3A2687G01	1	1					
2a	T2 SCREW	4X8	7P31-0408	3	3					
3	JUNCTION BOX COVER	GS	433410-01	1	1					
3a	T2 SCREW	4X8	7P31-0408	1	1					
4	BIN CONTROL	-	464574-01	1	1					
5	SWITCH GUIDE	-	3A2643-01	1	1					
6	THUMBSCREW	-	415949G10	6	6					
7	SWITCH COVER	-	3A2642-01	1	1					
8	INSULATION SWITCH	-	4A3068-01	1	1					
9	SQUARE WASHER	-	433537-01	1	1					
10	SCREW – GROUNDING	-	433304-02	1	1					
11	BUSHING	-	420472-05	1	1					
12	WIRE SADDLE	-	4A0338-02	9	9					
13	BUSHING	-	428394-04	2	2					
14	SIDE PANEL (R)	SS	2A2800G01	1	1					
14a	TRUSS HEAD SCREW	4X10, SS	7C32-0408	1	1					

MODEL: KMD-900MAH TITLE: A. ICE CUBER ASSEMBLY											
INDEX NO.	DESCRIPTION	MATERIAL OR MODEL NUMBER	PART NUMBER	REQUIRED NUMBER							
				N-0	N-1						
15	TOP PANEL	SS	2A2829-01	1	x1						
	TOP PANEL ASSEMBLY	-	2A2931G01		o1						
16	FRONT PANEL	SS	2A2828-01	1	x1						
	FRONT PANEL ASSEMBLY	-	2A2932G01		o1						
16a	TRUSS HEAD SCREW	4X10, SS	7C32-0410	2	2						
17	LOUVER B	-	1A0548-01	4	4						
17a	PUSH RETAINER	-	4A2414-01	12	12						
18	AIR FILTER B	-	2A2063G01	4	4						
19	FRONT INSULATION	-	3A2722G01	1	x1						
		-	3A2933G01		o1						
20	THUMBSCREW	-	415949G01	1	1						
21	TOP INSULATION	-	3A2723G01	1	x1						
		-	3A2934G01		o1						
22	BUSHING	-	428394-02	2	2						
23	TOP PANEL INSULATION (B2)	-	3A2928-02	1	1						
24	TOP PANEL INSULATION (B3)	-	3A2928-03	1	1						
25	FRONT INSULATION BRCKT.	-	3A2909-01	1	1						
25a	T2 SCREW	4X10, SS	7P32-0410	2	2						
26	TOP COVER	-	3A2922-01	1	1						



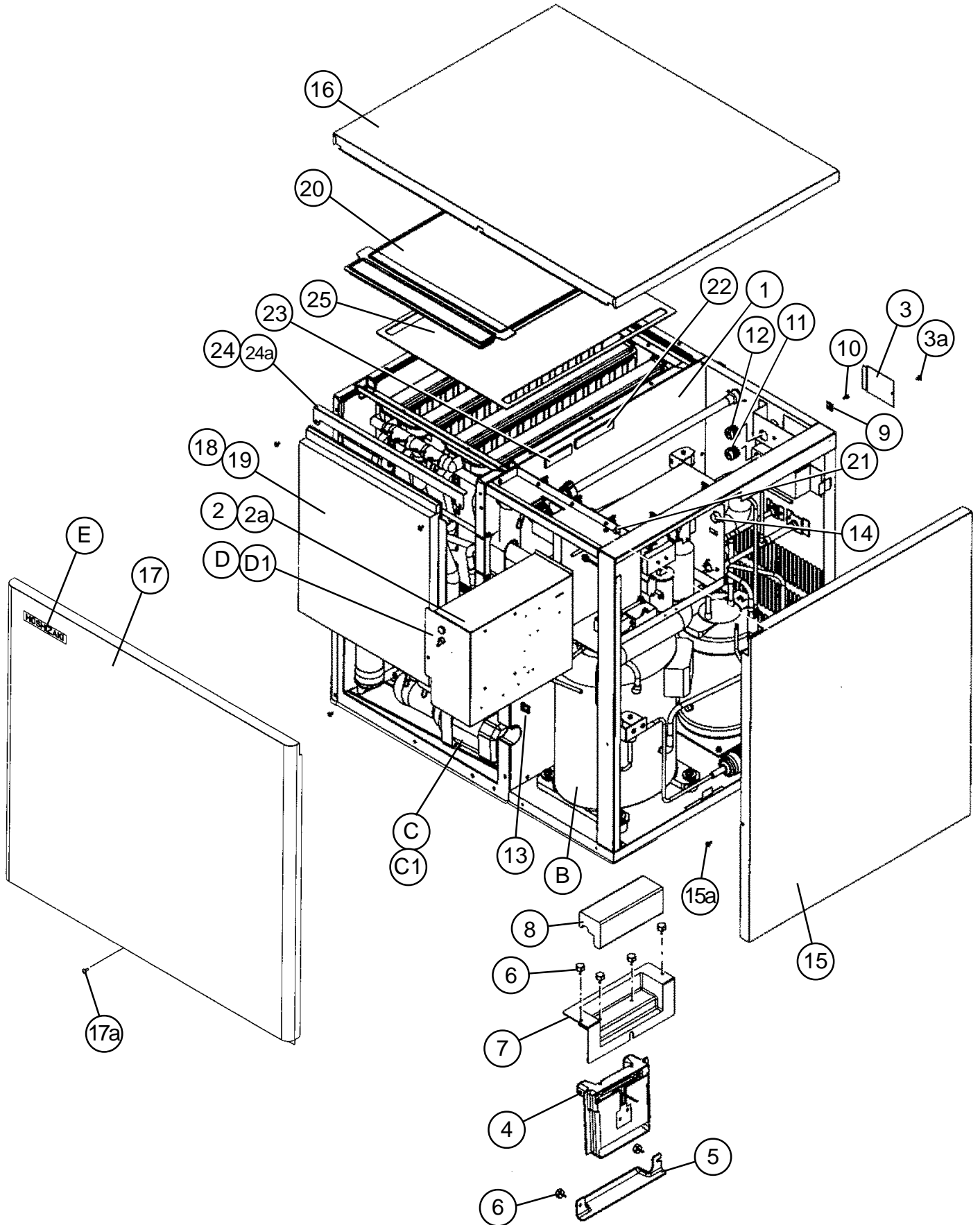
HA

MODEL: KMD-900MWH TITLE: A. ICE CUBER ASSEMBLY											
INDEX NO.	DESCRIPTION	MATERIAL OR MODEL NUMBER	PART NUMBER	REQUIRED NUMBER							
				N-0	N-1						
B	REFRIGERATION CIRCUIT	-	1A0785A01	1	1						
C	WATER CIRCUIT	-	1A0800A01	1	x1						
		-	1A0800A02		o1						
C1	TRUSS HEAD SCREW	4X10, SS	7C32-0410	1	1						
D	CONTROL BOX ASSEMBLY	-	2A2871A01	1	1						
D1	T2 SCREW	4X8	7P31-0408	1	1						
E	LABEL LOCATION	-	2A2839A02	1	1						
1	EVAPORATOR CASE	-	1A0790G02	1	x1						
		-	1A0857G02		o1						
2	CONTROL BOX COVER	GS	3A2687G01	1	1						
2a	T2 SCREW	4X8	7P31-0408	3	3						
3	JUNCTION BOX COVER	GS	433410-01	1	1						
3a	T2 SCREW	4X8	7P31-0408	1	1						
4	BIN CONTROL	-	464574-01	1	1						
5	SWITCH GUIDE	-	3A2643-01	1	1						
6	THUMBSCREW	-	415949G10	6	6						
7	SWITCH COVER	-	3A2642-01	1	1						
8	INSULATION SWITCH	-	4A3068-01	1	1						
9	SQUARE WASHER	-	433537-01	1	1						
10	SCREW – GROUNDING	-	433304-02	1	1						
11	BUSHING	-	420472-05	1	1						
12	WIRE SADDLE	-	4A0338-02	8	8						
13	BUSHING	-	428394-04	2	2						
14	SIDE PANEL (R)	SS	2A2800G01	1	1						
14a	TRUSS HEAD SCREW	4X10, SS	7C32-0410	1	1						



HA

MODEL: KMD-900MWH TITLE: A. ICE CUBER ASSEMBLY											
INDEX NO.	DESCRIPTION	MATERIAL OR MODEL NUMBER	PART NUMBER	REQUIRED NUMBER							
				N-0	N-1						
15	TOP PANEL	SS	2A2801-01	1	x1						
	TOP PANEL ASSEMBLY	-	2A2955G01		o1						
16	FRONT PANEL	SS	2A2802-02	1	x1						
	FRONT PANEL	-	2A2956G01		o1						
16a	TRUSS HEAD SCREW	4X10, SS	7C32-0410	1	1						
17	FRONT INSULATION	-	3A2722G01	1	x1						
		-	3A2933G01		o1						
17a	THUMBSCREW	-	415949G01	1	1						
18	TOP INSULATION	-	3A2723G01	1	x1						
		-			o1						
19	BUSHING	-	428394-02	1	1						
20	TOP PANEL INSULATION (B2)	-	3A2928-02	1	1						
21	TOP PANEL INSULATION (B3)	-	3A2928-03	1	1						
22	FRONT INSULATION BRCKT.	-	3A2909-01	1	1						
22a	T2 SCREW	4X10, SS	7P32-0410	2	2						
23	TOP COVER	-	3A2922-01	1	1						

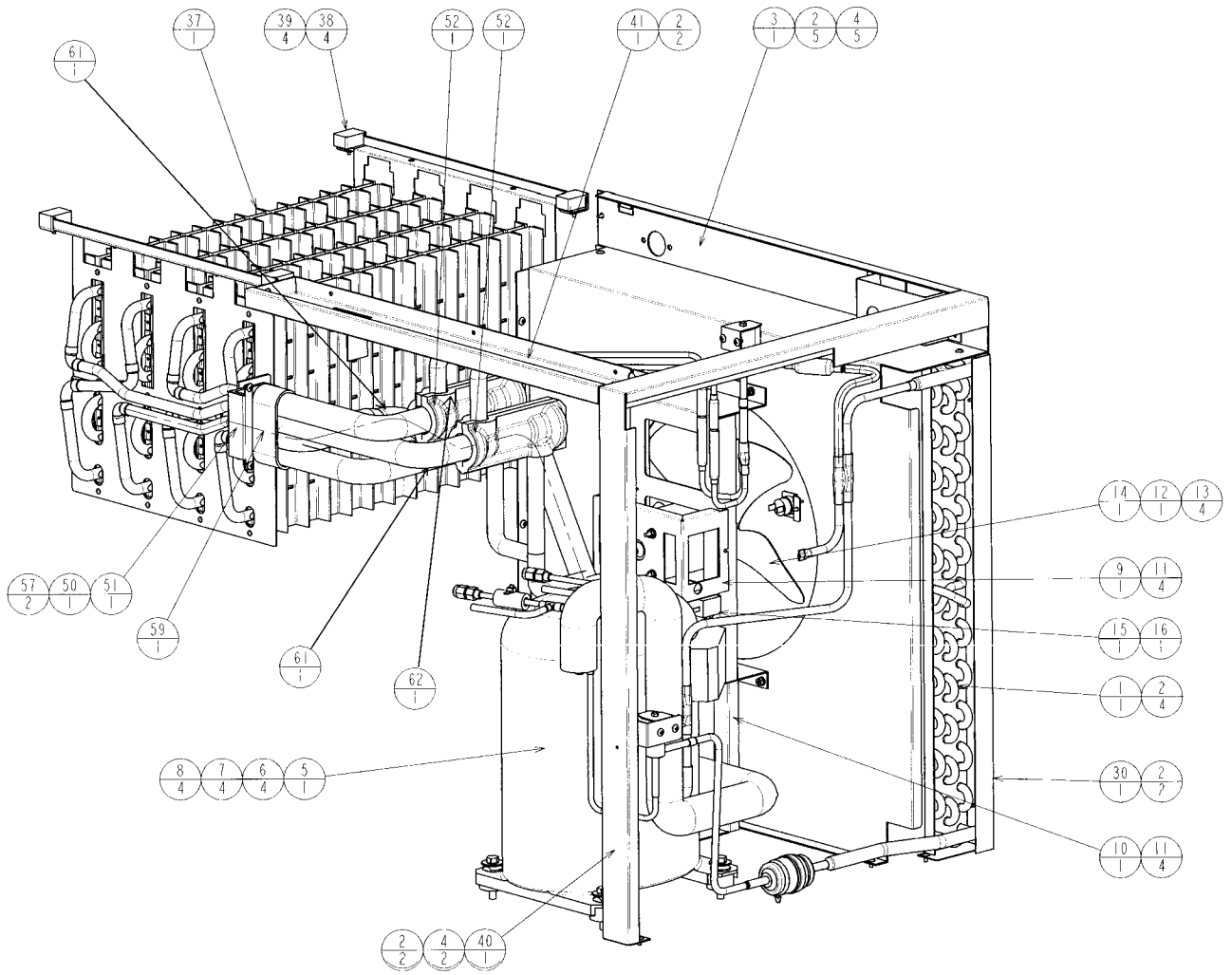


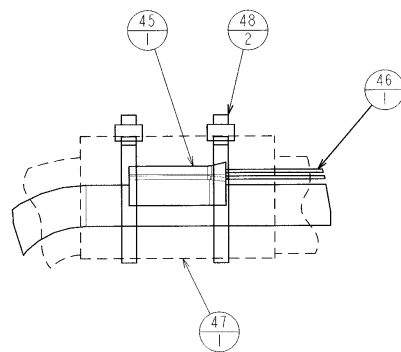
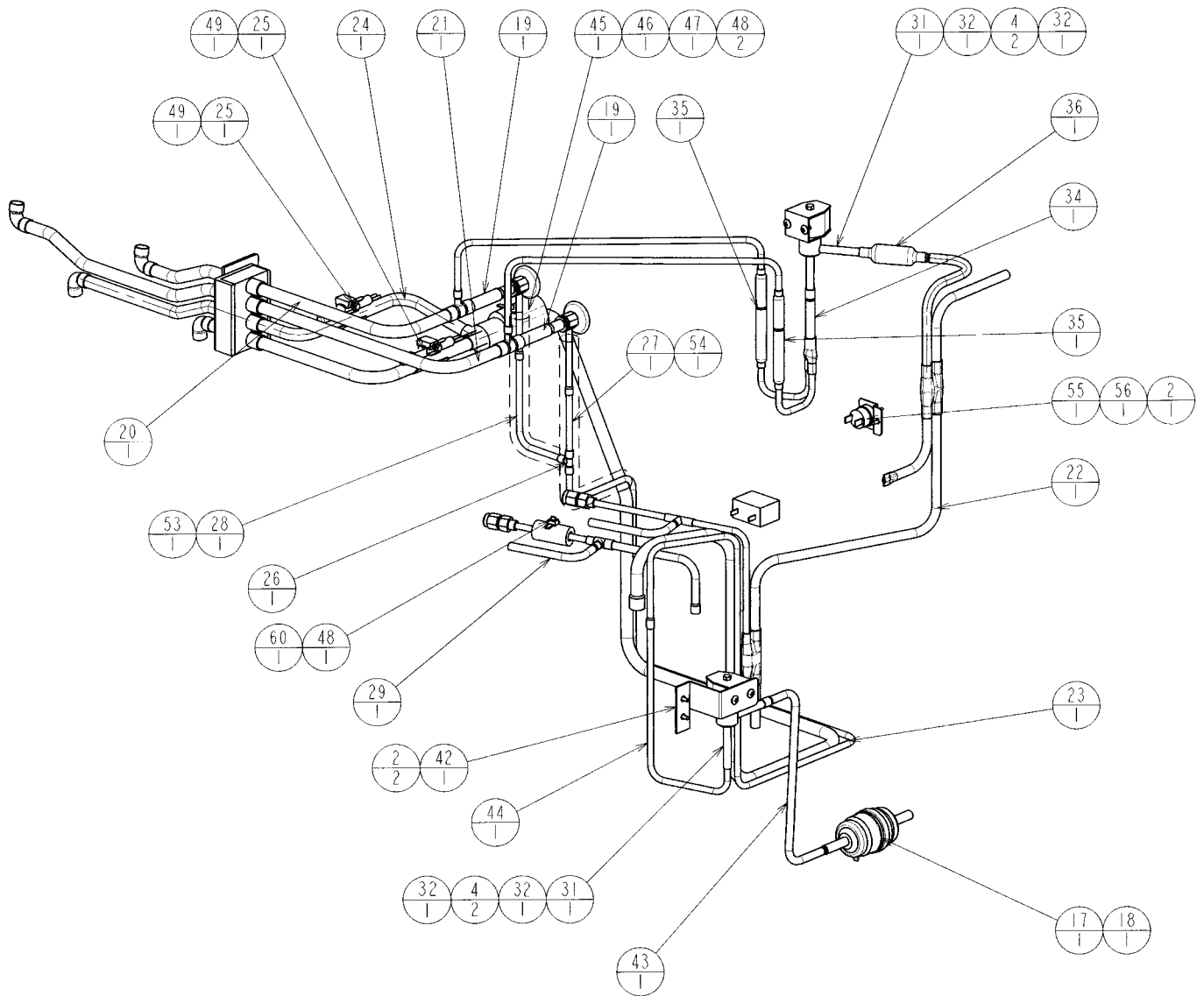
HA

MODEL: KMD-900MRH TITLE: A. ICE CUBER ASSEMBLY										
INDEX NO.	DESCRIPTION	MATERIAL OR MODEL NUMBER	PART NUMBER	REQUIRED NUMBER						
				N-0	N-1					
B	REFRIGERATION CIRCUIT	-	1A0784A01	1	x1					
		-	1A0872A01		o1					
C	WATER CIRCUIT	-	1A0800A01	1	x1					
		-	1A0800A02		o1					
C1	TRUSS HEAD SCREW	4X10, SS	7C32-0408	2	2					
D	CONTROL BOX ASSEMBLY	-	2A2871A01	1	1					
D1	T2 SCREW	4X8	7P31-0408	1	1					
E	LABEL LOCATION	-	2A2765A02	1	1					
1	EVAPORATOR CASE	-	1A0790G03	1	x1					
		-	1A0857G03		o1					
2	CONTROL BOX COVER	GS	3A2687G01	1	1					
2a	T2 SCREW	4X8	7P31-0408	3	3					
3	JUNCTION BOX COVER	GS	433410-01	1	1					
3a	T2 SCREW	4X8	7P31-0408	2	2					
4	BIN CONTROL	-	464574-01	1	1					
5	SWITCH GUIDE	-	3A2643-01	1	1					
6	THUMBSCREW	-	415949G10	6	6					
7	SWITCH COVER	-	3A2642-01	1	1					
8	INSULATION SWITCH	-	4A3068-01	1	1					
9	SQUARE WASHER	-	433537-01	1	1					
10	SCREW – GROUNDING	-	433304-02	1	1					
11	BUSHING	-	420472-05	1	1					
12	BUSHING	-	420472-03	1	1					
13	WIRE SADDLE	-	4A0338-02	9	9					
14	BUSHING	-	428394-04	3	3					

HA

MODEL: KMD-900MRH TITLE: A. ICE CUBER ASSEMBLY											
INDEX NO.	DESCRIPTION	MATERIAL OR MODEL NUMBER	PART NUMBER	REQUIRED NUMBER							
				N-0	N-1						
15	SIDE PANEL (R)	SS	2A2800G01	1	1						
15a	TRUSS HEAD SCREW	4X10, SS	7C32-0410	1	1						
16	TOP PANEL	SS	2A2801-01	1	x1						
	TOP PANEL ASSEMBLY	-	2A2955G01		o1						
17	FRONT PANEL	SS	2A2802-02	1	x1						
	FRONT PANEL ASSEMBLY	-	2A2956G01		o1						
17a	TRUSS HEAD SCREW	4X10, SS	7C32-0410	1	1						
18	FRONT INSULATION	-	3A2722G01	1	o1						
			3A2933G01		1						
19	THUMBSCREW	-	415949G01	1	1						
20	TOP INSULATION	-	3A2723G01	1	o1						
			3A2934G01		1						
21	BUSHING	-	428394-02	2	2						
22	TOP PANEL INSULATION (B2)	-	3A2928-02	1	1						
23	TOP PANEL INSULATION (B3)	-	3A2928-03	1	1						
24	FRONT INSULATION BRCKT.	-	3A2909-01	1	1						
24a	T2 SCREW	4X10, SS	7P32-0410	2	2						
25	TOP COVER	-	3A2922-01	1	1						





DETAILED THERMISTOR ATTACHMENT

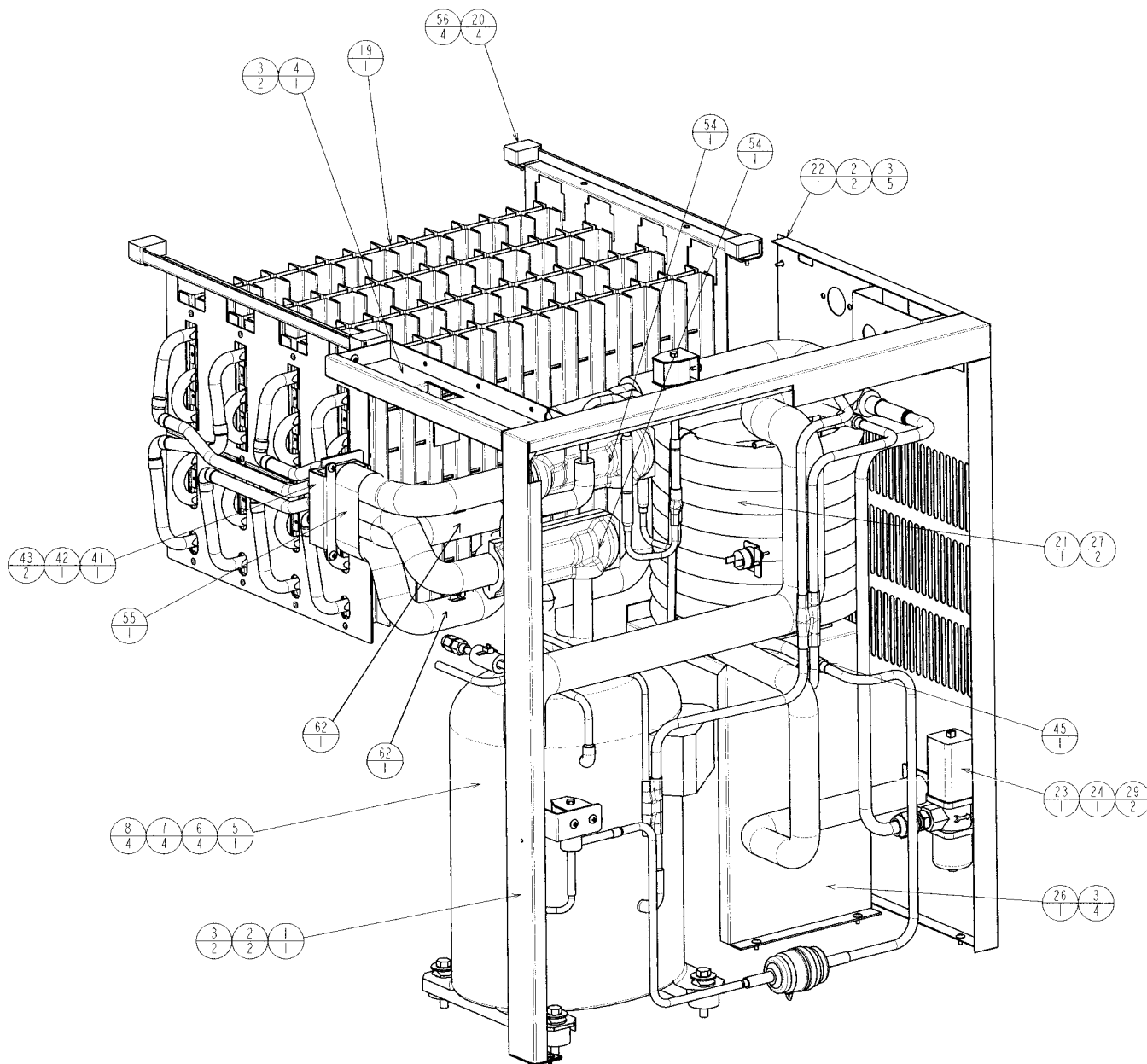
HA

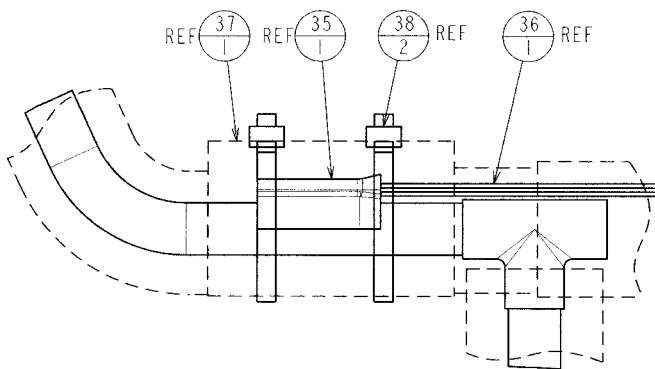
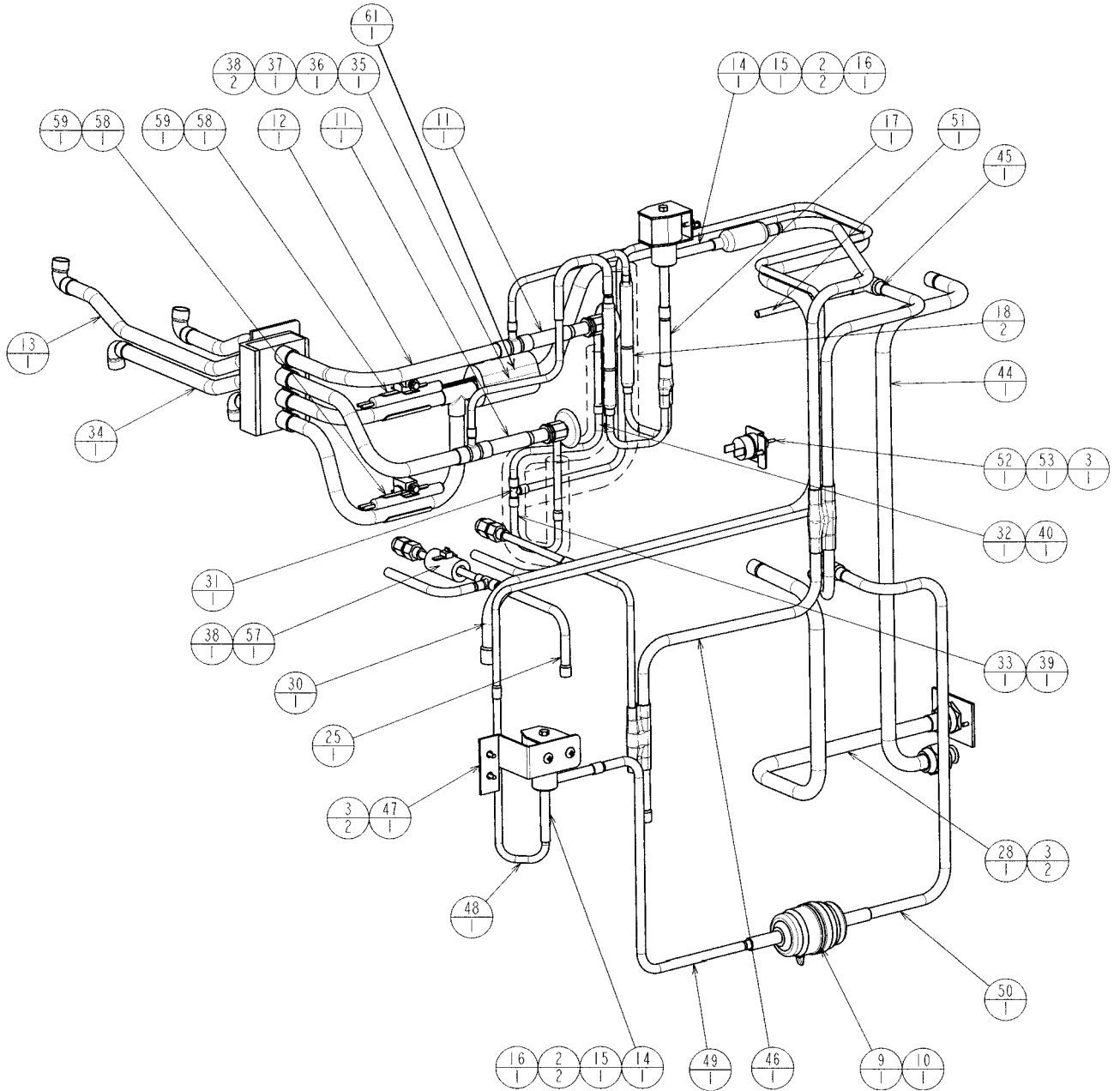
MODEL: KMD-900MAH TITLE: B. REFRIGERATION CIRCUIT										
INDEX NO.	DESCRIPTION	MATERIAL OR MODEL NUMBER	PART NUMBER	REQUIRED NUMBER						
				N-0	N-1					
1	CONDENSER	-	2A2779-01	1	1					
2	T2 SCREW	4x8	7P31-0408	18	18					
3	SHROUD	-	2A2787G01	1	1					
4	TRUSS HEAD SCREW	4x8	7C31-0408	11	11					
5	COMPRESSOR	CS14K6E-PFV-237	4A1412-01	1	1					
6	GROMMET	027-0167-00	434922-01	4	4					
7	SPACER	028-0188-02	434921-01	4	4					
8	BOLT	8x45	437889-01	4	4					
9	FAN MOTOR BRACKET	-	3A2690G01	1	1					
10	FAN MOTOR BRACKET (B)		3A2789-01	1	1					
11	HEX HEAD BOLT W/ WASHER (LF)	5x10	7B0130510	8	8					
12	FAN MOTOR	U90 B1 7190 1031	440911-01	1	1					
13	SELF LOCKING NUT	8-32	7N21I0832	4	4					
14	FAN BLADE	20569-17	4A0197-01	1	1					
15	CAPACITOR	250 VAC 5 Mfd	443192-02	1	1					
16	T2 SCREW	4X10	7C31-0410	1	1					
17	DRIER	-	4A2666-01	1	1					
18	NYLON TIE	-	8911-0301	1	1					
19	EXPANSION VALVE	-	4A1414-01	2	2					
20	COPPER TUBE (B) – LOW SIDE	COPPER	3A2795G01	1	1					
21	COPPER TUBE (C) – LOW SIDE	COPPER	3A2796G01	1	1					
22	COPPER TUBE (A) – HIGH SIDE	COPPER	3A2652G01	1	1					
23	HEAT EXCHANGER	-	2A2780G01	1	1					
24	COPPER TUBE (A) – LOW SIDE	COPPER	3A2800G01	1	1					
25	HOLDER – EXP. VALVE – 3/8	-	3A0107-01	2	2					
26	TEE	-	436000-01	1	1					

MODEL: KMD-900MAH TITLE: B. REFRIGERATION CIRCUIT											
INDEX NO.	DESCRIPTION	MATERIAL OR MODEL NUMBER	PART NUMBER	REQUIRED NUMBER							
				N-0	N-1						
27	COPPER TUBE (F) HIGH SIDE	COPPER	4A3036-01	1	1						
28	COPPER TUBE (E) LOW SIDE	COPPER	4A3035-01	1	1						
29	COPPER TUBE – ACCESS VALVE	-	3A2734G01	1	1						
30	BARRIER	-	3A2693-01	1	1						
31	VALVE BODY	70	440352-01	2	2						
32	COIL-VALVE	ABS-25-1-HD-2	440353-01	2	2						
33	BOLT	-	440353F01	2	2						
34	CHECK VALVE ASSEMBLY	-	3A2718G01	1	1						
35	CHECK VALVE	-	4A1373-01	2	2						
36	STRAINER	-	441569-02	1	1						
37	EVAPORATOR	-	2A2781G01	1	1						
38	FRAME SEAL	-	323925-01	4	4						
39	TRUSS HEAD SCREW	4X12, SS	7C32-0412	4	4						
40	SIDE FRAME	-	3A2691G01	1	1						
41	FRONT FRAME	-	3A2675-01	1	1						
42	LINE VALVE BRACKET	-	4A2037-01	1	1						
43	COPPER TUBE (B) HIGH SIDE	COPPER	4A3022-01	1	1						
44	COPPER TUBE (C) HIGH SIDE	COPPER	4A3023-01	1	1						
45	HOLDER – THERMISTOR	COPPER	438247-01	1	1						
46	THERMISTOR	-	429006-05	1	1						
47	INSULATION – THERMISTOR	PE FOAM	427441-01	1	1						
48	CABLE TIE	-	7920-0010	3	3						
49	CLAMP	-	443461-02	2	2						
50	INSULATED RUBBER TUBE	-	323975G01	1	1						
51	INSULATION HOLDER	-	3A0979-01	1	1						
52	EXP. VALVE COVER	-	3A0944-01	2	2						
53	INSULATION – TUBE	L=210	7762-1020	1	1						
54	INSULATION – TUBE	L=135	7762-1020	1	1						



MODEL: KMD-900MAH TITLE: B. REFRIGERATION CIRCUIT										
INDEX NO.	DESCRIPTION	MATERIAL OR MODEL NUMBER	PART NUMBER	REQUIRED NUMBER						
				N-0	N-1					
55	PRESSURE SWITCH	ACB-1UB09	433441-07	1	1					
56	PRESS. SWITCH BRCKT.	GS	434938-01	1	1					
57	T2 SCREW	4x8, SS	7P32-0408	2	2					
58	END CAP	-	4A1413F01	2	2					
59	INSULATION	-	436671-01	1	1					
60	INSULATION TUBE	L=40	7762-1020	1	1					
61	INSULATION TUBE	L=80	7762-3555	2	2					
62	CONNECTION T COVER	-	4A1379-01	1	1					





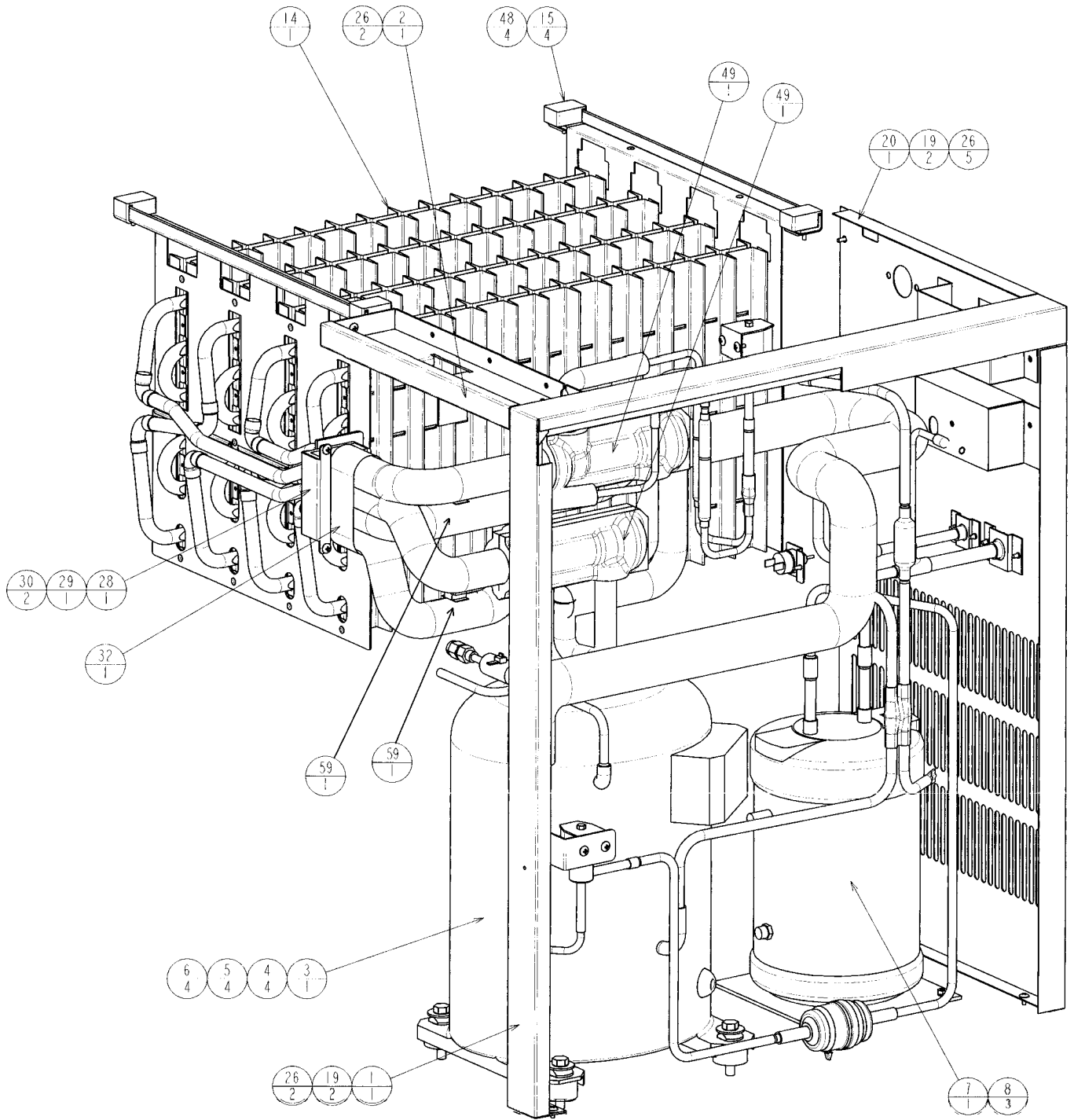
DETAILED THERMISTOR ATTACHMENT

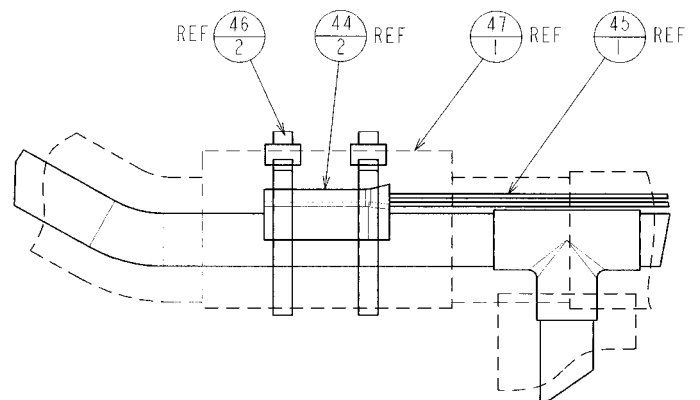
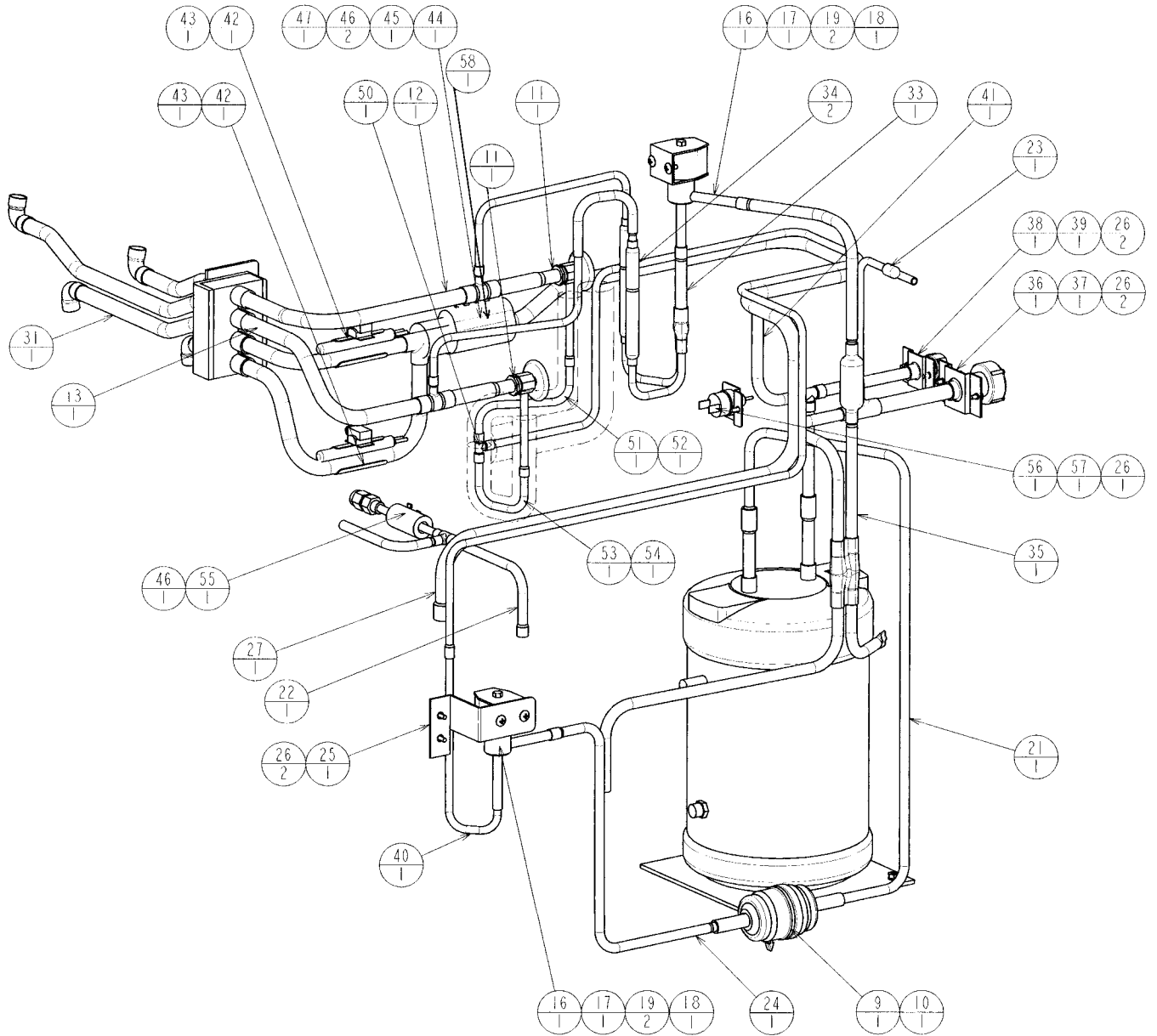
MODEL: <b>KMD-900MWH</b> TITLE: <b>B. REFRIGERATION CIRCUIT</b>										
INDEX NO.	DESCRIPTION	MATERIAL OR MODEL NUMBER	PART NUMBER	REQUIRED NUMBER						
				N-0	N-1					
1	SIDE FRAME	-	3A2691G01	1	1					
2	TRUSS HEAD SCREW	4X8	7C31-0408	8	8					
3	T2 SCREW	4X8	7P31-0408	18	18					
4	FRONT FRAME	-	3A2692-01	1	1					
5	COMPRESSOR	CS14K6E-PFV-237	4A1412-01	1	1					
6	SPACER	028-0188-02	434921-01	4	4					
7	GROMMET	027-0167-00	434922-01	4	4					
8	BOLT	8x45	437889-01	4	4					
9	DRIER	-	4A2666-01	1	1					
10	NYLON TIE	-	8911-0301	1	1					
11	EXPANSION VALVE	-	4A1414-01	2	2					
12	COPPER TUBE (B) – LOW SIDE	COPPER	3A2805G01	1	1					
13	COPPER TUBE (C) – LOW SIDE	COPPER	3A2806G01	1	1					
14	VALVE BODY	70	440352-01	2	2					
15	COIL-VALVE	ABS-25-1-HD-2	440353-01	2	2					
16	BOLT	-	440353F01	2	2					
17	CHECK VALVE ASSEMBLY	-	3A2718G01	1	1					
18	CHECK VALVE	-	4A1373-01	2	2					
19	EVAPORATOR	-	2A2781G01	1	1					
20	FRAME SEAL	-	323925-01	4	4					
21	CONDENSER – WATER COOLED	-	2A2359G03	1	1					
22	REAR PANEL	-	3A2758G01	1	1					
23	WATER REGULATOR	-	4A0911-06	1	1					
24	MALE CONNECTOR	-	4A1087-01	1	1					
25	COPPER TUBE – ACCESS VALVE	-	3A2734G01	1	1					
26	CONDENSER – BRACKET	-	2A2846-01	1	1					
27	HEX HEAD BOLT W / WASHER (LF)	5x10	7B0130510	2	2					
28	COPPER TUBE – COND. INLET	-	3A2827G01	1	1					
29	TRUSS HEAD SCREW	4X6	7C31-0406	2	2					

MODEL: KMD-900MWH TITLE: B. REFRIGERATION CIRCUIT										
INDEX NO.	DESCRIPTION	MATERIAL OR MODEL NUMBER	PART NUMBER	REQUIRED NUMBER						
				N-0	N-1					
30	HEAT EXCHANGER	-	3A2899G01	1	1					
31	TEE	-	436000-01	1	1					
32	COPPER TUBE (D) HIGH SIDE	COPPER	4A3163-01	1	1					
33	COPPER TUBE (E) HIGH SIDE	COPPER	4A3167-01	1	1					
34	COPPER TUBE (A) LOW SIDE	COPPER	3A2804G01	1	1					
35	HOLDER – THERMISTOR	COPPER	438247-01	1	1					
36	THERMISTOR	-	429006-05	1	1					
37	INSULATION – THERMISTOR	PE FOAM	427441-01	1	1					
38	CABLE TIE	-	7920-0010	3	3					
39	INSULATION TUBE	L=180	7762-1020	1	1					
40	INSULATION TUBE	L=195	7762-1020	1	1					
41	INSULATED RUBBER TUBE	-	323975G01	1	1					
42	INSULATION HOLDER	-	3A0979-01	1	1					
43	T2 SCREW	4x8, SS	7P32-0408	2	2					
44	COPPER TUBE – COND. OUTLET	-	3A2825G01	1	1					
45	TEE	-	436000-08	1	1					
46	COPPER TUBE (A) HIGH SIDE	COPPER	3A2760G01	1	1					
47	LINE VALVE BRACKET	-	4A3037-01	1	1					
48	COPPER TUBE (F) HIGH SIDE	COPPER	4A3170-01	1	1					
49	COPPER TUBE (C) – HIGH SIDE	COPPER	3A2811-01	1	1					
50	COPPER TUBE (H) – HIGH SIDE	COPPER	4A3199-01	1	1					
51	COPPER TUBE (G) – HIGH SIDE	COPPER	4A3198-01	1	1					
52	PRESSURE SWITCH	ACB-1UB09	433441-07	1	1					
53	PRESS. SWITCH BRCKT.	GS	434938-01	1	1					
54	EXP. VALVE COVER	-	3A0944-01	2	2					

HA

MODEL: KMD-900MWH TITLE: B. REFRIGERATION CIRCUIT											
INDEX NO.	DESCRIPTION	MATERIAL OR MODEL NUMBER	PART NUMBER	REQUIRED NUMBER							
				N-0	N-1						
55	INSULATION	-	436671-01	1	1						
56	TRUSS HEAD SCREW	4X8, SS	7C32-0408	4	4						
57	INSULATION - TUBE	L=40	7762-1020	1	1						
58	HOLDER - EXP. VALVE - 3/8	-	3A0107-01	2	2						
59	CLAMP	-	443461-02	2	2						
60	END CAP	-	4A2666F01	2	2						
61	CONNECTION T COVER	-	4A1379-01	1	1						
62	INSULATION TUBE	L=80	7762-3555	2	2						





DETAILED THERMISTOR ATTACHMENT



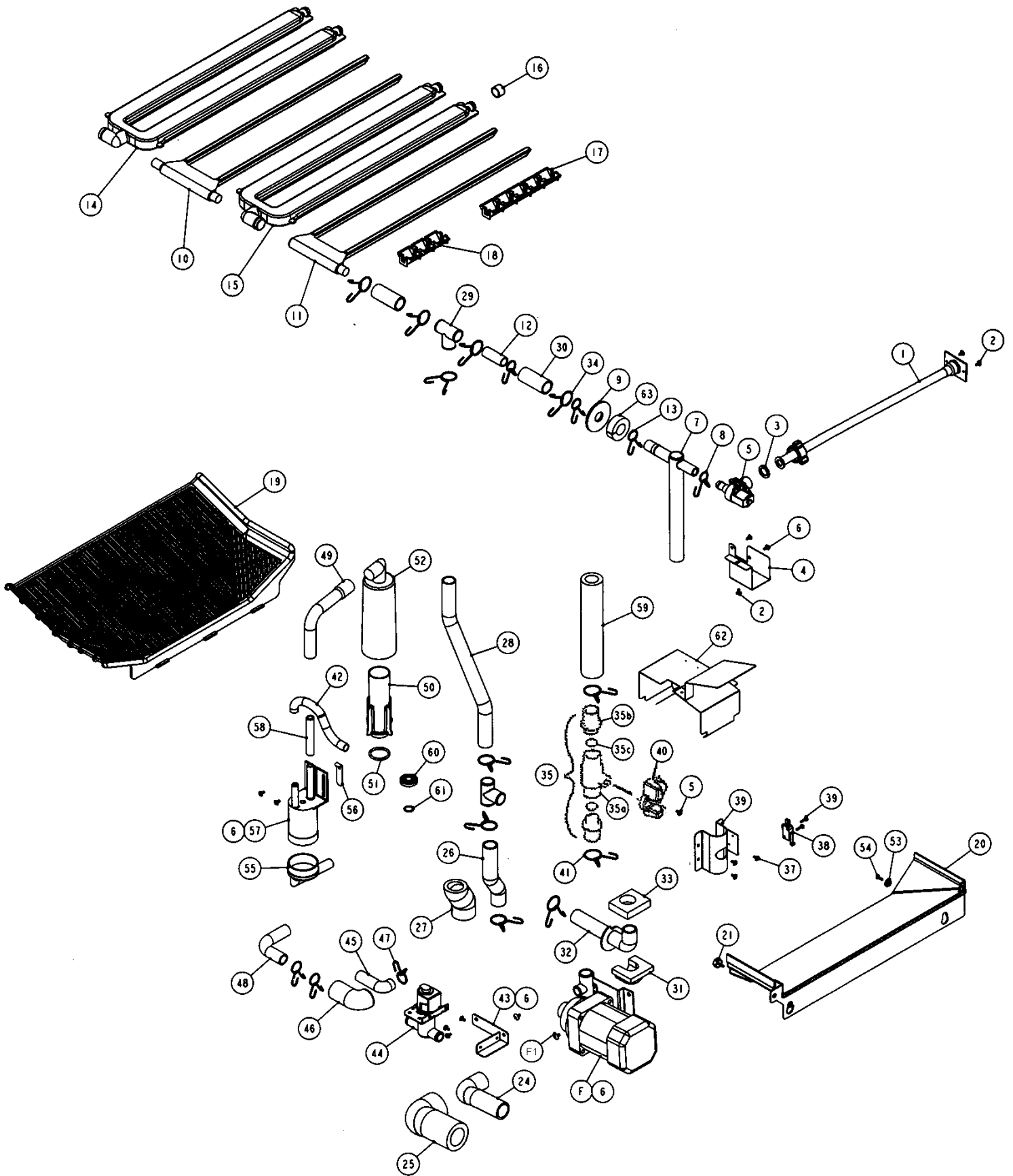
HA

MODEL: KMD-900MRH TITLE: B. REFRIGERATION CIRCUIT										
INDEX NO.	DESCRIPTION	MATERIAL OR MODEL NUMBER	PART NUMBER	REQUIRED NUMBER						
				N-0	N-1					
1	SIDE FRAME	-	3A2691G01	1	1					
2	FRONT FRAME	-	3A2692-01	1	1					
3	COMPRESSOR	CS14K6E-PFV-279	4A1412-02	1	1					
4	SPACER	028-0188-02	434921-01	4	4					
5	GROMMET	027-0167-00	434922-01	4	4					
6	BOLT	8x45	437889-01	4	4					
7	RECEIVER TANK	-	437652-01	1	1					
8	HEX HEAD BOLT W / WASHER (LF)	5x10	7B0130510	3	3					
9	DRIER	-	4A2666-01	1	1					
10	NYLON TIE	-	8911-0301	1	1					
11	EXPANSION VALVE	-	4A1414-01	2	2					
12	COPPER TUBE (B) – LOW SIDE	COPPER	3A2813G01	1	x1					
		COPPER	3A2974G01		o1					
13	COPPER TUBE (C) – LOW SIDE	COPPER	3A2814G01	1	x1					
		COPPER	3A2975G01		o1					
14	EVAPORATOR	-	2A2781G01	1	1					
15	FRAME SEAL	-	323925-01	4	4					
16	VALVE BODY	70	440352-01	2	2					
17	COIL-VALVE	ABS-25-1-HD-2	440353-01	2	2					
18	BOLT	-	440353F01	2	2					
19	TRUSS HEAD SCREW	4X8	7C31-0408	8	8					
20	REAR PANEL	-	3A2757G01	1	1					
21	COPPER TUBE (G) HIGH SIDE	COPPER	3A2851-01	1	1					
22	COPPER TUBE – ACCESS VALVE	-	3A2734G01	1	1					
23	END CAP	-	4A1413F01	1	1					
24	COPPER TUBE (C) HIGH SIDE	COPPER	3A2814G01	1	1					
25	LINE VALVE BRACKET	-	4A3037-01	1	1					
26	T2 SCREW	4X8	7P31-0408	16	16					

MODEL: KMD-900MRH TITLE: B. REFRIGERATION CIRCUIT										
INDEX NO.	DESCRIPTION	MATERIAL OR MODEL NUMBER	PART NUMBER	REQUIRED NUMBER						
				N-0	N-1					
27	HEAT EXCHANGER	-	3A2765G01	1	x1					
		-	2A2789G01		o1					
28	INSULATED RUBBER TUBE	-	323975G01	1	1					
29	INSULATION HOLDER	-	3A0979-01	1	1					
30	T2 SCREW	4X8, SS	7P32-0408	2	2					
31	COPPER TUBE (A) LOW SIDE	COPPER	3A2804G01	1	1					
32	INSULATION	-	436671-01	1	1					
33	CHECK VALVE ASSEMBLY	-	3A2718G01	1	x1					
		-	3A2942G01		o1					
34	CHECK VALVE	-	4A1373-01	2	x2					
		-	4A2054-01		o2					
35	COPPER TUBE (A) HIGH SIDE	COPPER	3A2653G01	1	1					
36	TUBE HOLDER – L	-	438245-01	1	1					
37	COUPLING	-	434136G01	1	1					
38	TUBE HOLDER – S	-	438246-01	1	1					
39	COUPLING	-	433751G01	1	1					
40	COPPER TUBE (F) HIGH SIDE	COPPER	4A3170-01	1	1					
41	COPPER TUBE (B) – HIGH SIDE	COPPER	4A3038G01	1	1					
42	HOLDER – EXP. VALVE – 3/8	-	3A0107-01	2	2					
43	CLAMP	-	443461-02	2	2					
44	HOLDER – THERMISTOR	COPPER	438247-01	1	1					
45	THERMISTOR	-	429006-05	1	1					
46	CABLE TIE	-	7920-0010	3	3					
47	INSULATION – THERMISTOR	PE FOAM	427441-01	1	1					
48	TRUSS HEAD SCREW	4X12, SS	7C32-0412	4	4					
49	EXP. VALVE COVER	-	4A1168-01	2	2					
50	TEE	-	436000-01	1	1					
51	COPPER TUBE (D) – HIGH SIDE	COPPER	4A3163-01	1	1					
52	INSULATION TUBE	L=195	7762-1020	1	1					
53	COPPER TUBE (E) – HIGH SIDE	COPPER	4A3167-01	1	1					

HA

MODEL: KMD-900MRH TITLE: B. REFRIGERATION CIRCUIT										
INDEX NO.	DESCRIPTION	MATERIAL OR MODEL NUMBER	PART NUMBER	REQUIRED NUMBER						
				N-0	N-1					
54	INSULATION TUBE	L=180	7762-1020	1	1					
55	INSULATION TUBE	L=40	7762-1020	1	1					
56	PRESSURE SWITCH	ACB-1UB09	433441-07	1	1					
57	PRESS. SWITCH BRCKT.	GS	434938-01	1	1					
58	CONNECTION T COVER	-	4A1379-01	1	1					
59	INSULATION TUBE	L=80	7762-3555	2	2					



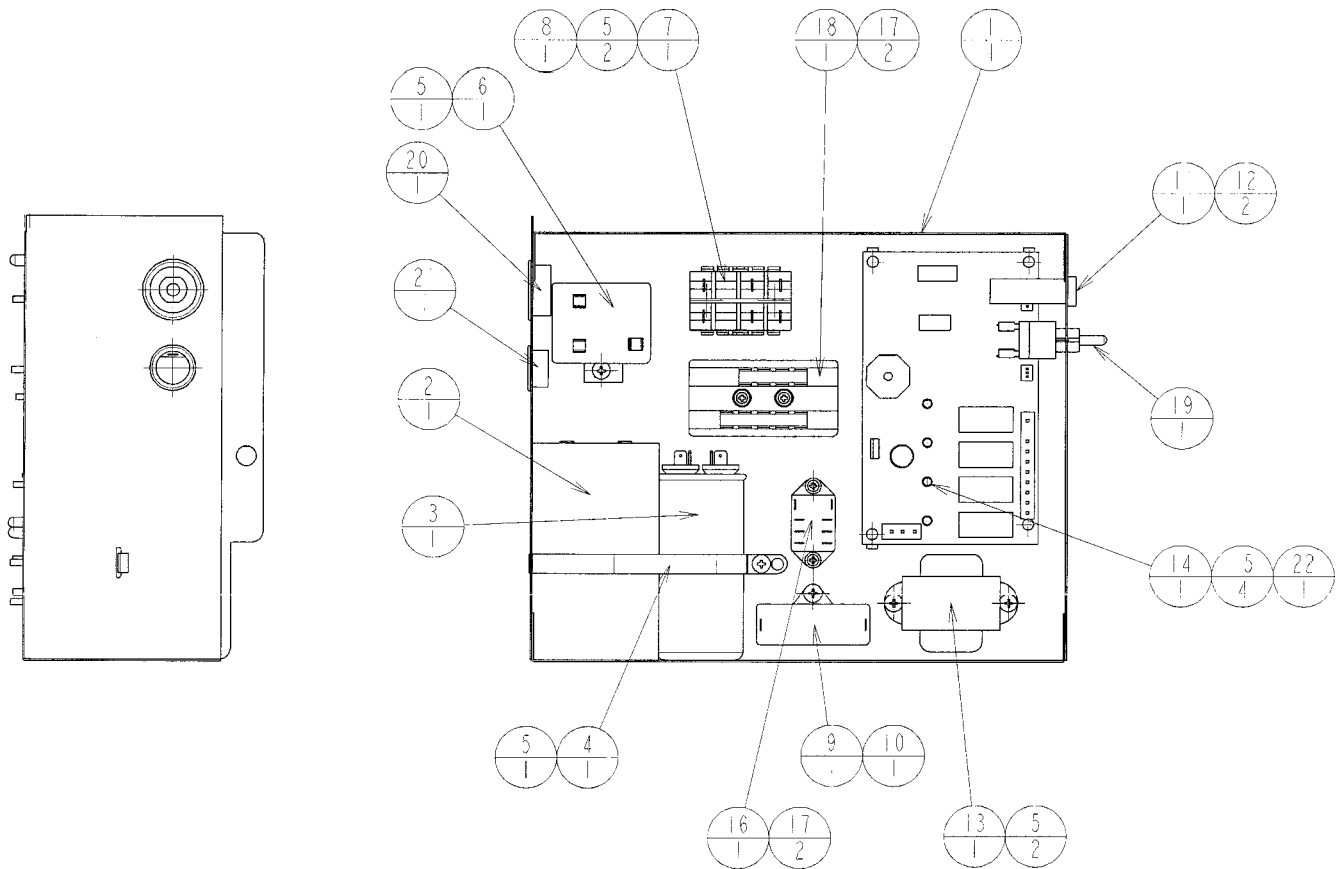
HA

MODEL: KMD-900MAH, MWH, MRH TITLE: C. WATER CIRCUIT											
INDEX NO.	DESCRIPTION	MATERIAL OR MODEL NUMBER	PART NUMBER	REQUIRED NUMBER							
				N-0	N-1						
F	PUMP MOTOR ASSEMBLY	HS-0178	2A2848A01	1	1						
F1	TRUSS HEAD SCREW	5X8, SS	7C32-0508	2	2						
1	WATER SUPPLY PIPE	-	4A0768G07	1	1						
2	T2 SCREW	4X8, SS	7P32-0408	4	4						
3	RUBBER GASKET	-	413854-03	1	1						
4	WATER VALVE BRACKET	-	3A2685-01	1	1						
5	WATER VALVE	-	4A1176-01	1	x1						
		-	4A1176-03		o1						
6	TRUSS HEAD SCREW	4X8, SS	7C32-0408	8	8						
7	HOSE – WATER VALVE	-	3A2648-01	1	1						
8	HOSE CLAMP	16.5 mm, SS	427443-04	1	1						
9	FLANGE	-	439267-01	1	1						
10	WATER SUPPLY TUBE	-	2A2370-01	1	1						
11	WATER SUPPLY TUBE	-	2A2370-02	1	1						
12	VINYL HOSE	L=47	7716-1519	1	1						
13	HOSE CLAMP	18 mm, SS	427443-05	3	3						
14	SPRAY TUBE	-	2A2369-01	1	1						
15	SPRAY TUBE	-	2A2369-02	1	1						
16	SPRAY TUBE PLUG	-	3A2645-01	4	4						
17	SPRAY GUIDE (A)	-	208586-01	8	8						
18	SPRAY GUIDE (D)	-	208586-04	4	4						
19	CUBE GUIDE (A)	-	1A0842-01	1	1						
20	CUBE GUIDE (B)	-	1A0781-01	1	1						
21	THUMBSCREW	-	415949G10	1	1						
22	-	-	-								
23	-	-	-								
24	SUCTION HOSE	-	4A3001-01	1	1						
25	INSULATION TUBE	L=170	7762-3555	1	1						

MODEL: KMD-900MAH, MWH, MRH TITLE: C. WATER CIRCUIT											
INDEX NO.	DESCRIPTION	MATERIAL OR MODEL NUMBER	PART NUMBER	REQUIRED NUMBER							
				N-0	N-1						
26	DISCHARGE HOSE	-	3A2646-01	1	1						
27	INSULATION TUBE	L=77	7762-2943	1	1						
28	VINYL HOSE	L=358	7716-2025	1	1						
29	DISTRIBUTOR	-	432426-01	1	1						
30	VINYL HOSE	L=63	7716-2025	2	2						
31	CORNER INSULATION (A)	-	439376-01	1	1						
32	BYPASS HOSE	-	439237-03	1	1						
33	CORNER INSULATION (B)	-	439392-01	1	1						
34	HOSE CLAMP	25 mm, SS	427443-03	9	9						
35	BALL VALVE ASSEMBLY	S-0761	442137A01	1	1						
35a	BALL VALVE	(442137A01)	439293-01	1	1						
35b	MALE ADAPTOR	(442137A01)	325826-01	2	2						
35c	"O" RING	(442137A01)	7611-P018	2	2						
36	VALVE HOLDER	-	3A1178-01	1	1						
37	FT SCREW	4X8	7F31-0408	3	3						
38	MICROSWITCH	-	4A2546-01	1	1						
39	TAPPING SCREW	3X14	431415-02	2	2						
40	HANDLE	-	215383-01	1	1						
41	HOSE CLAMP	27 mm, SS	427443-08	2	2						
42	HOSE – FLOAT SWITCH	-	3A2647-01	1	1						
43	DRAIN VALVE BRACKET	-	3A2686-01	1	1						
44	DRAIN VALVE	-	4A2396-01	1	1						
45	DRAIN HOSE – PM	-	4A3044-01	1	1						
46	INSULATION TUBE	L=75	7762-2636	1	1						
47	HOSE CLAMP	20 mm, SS	427443-06	9	9						
48	DRAIN HOSE	-	4A3002-01	1	1						
49	DRAIN HOSE – OVERFLOW	-	4A3003-01	1	1						

HA

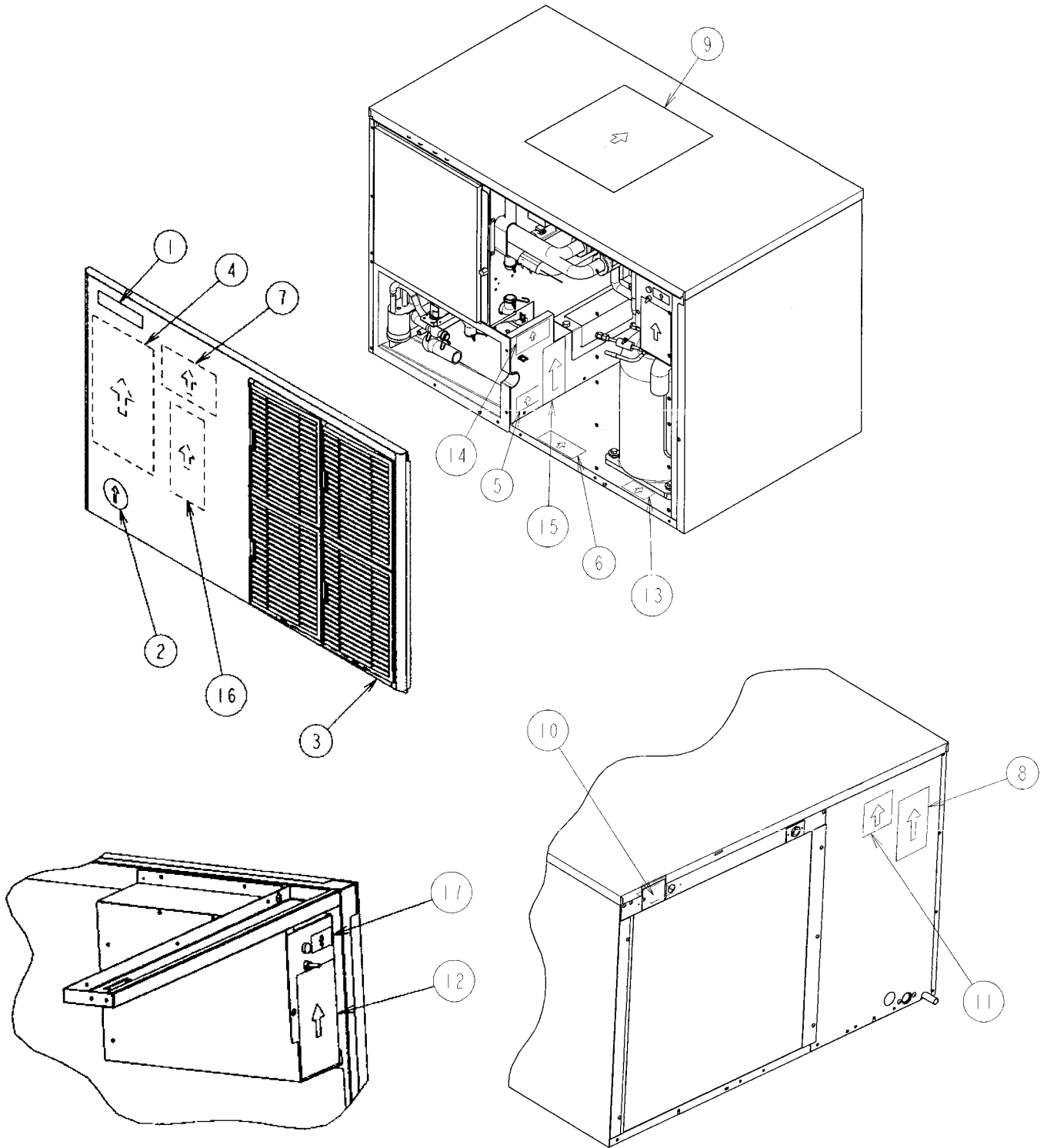
MODEL: KMD-900MAH, MWH, MRH TITLE: C. WATER CIRCUIT										
INDEX NO.	DESCRIPTION	MATERIAL OR MODEL NUMBER	PART NUMBER	REQUIRED NUMBER						
				N-0	N-1					
50	OVERFLOW PIPE	-	430722-06	1	x1					
		-	430722-07		o1					
51	"O" RING	-	4A1234-01	1	1					
52	OVERFLOW CAP	-	321002-01	1	1					
53	COLLAR	-	435269-01	2	2					
54	T2 FLAT HEAD SCREW	4X12, SS	7P22-0412	2	2					
55	CONNECTOR – FLOAT SWITCH	-	426799-03	1	1					
56	FLOAT SWITCH STOP	-	4A0137-01	1	1					
57	FLOAT SWITCH	-	4A0886-03	1	1					
58	SILICONE HOSE	L=80	7730I3896	1	1					
59	INSULATION TUBE	L=210	7762-2636	1	1					
60	DRAIN	-	309246-01	1	1					
61	"O" RING	-	7611-P015	1	1					
62	WATER SHIELD	-	3A2725G01	1	1					
63	INSULATION (E)	-	4A0392-01	1	1					





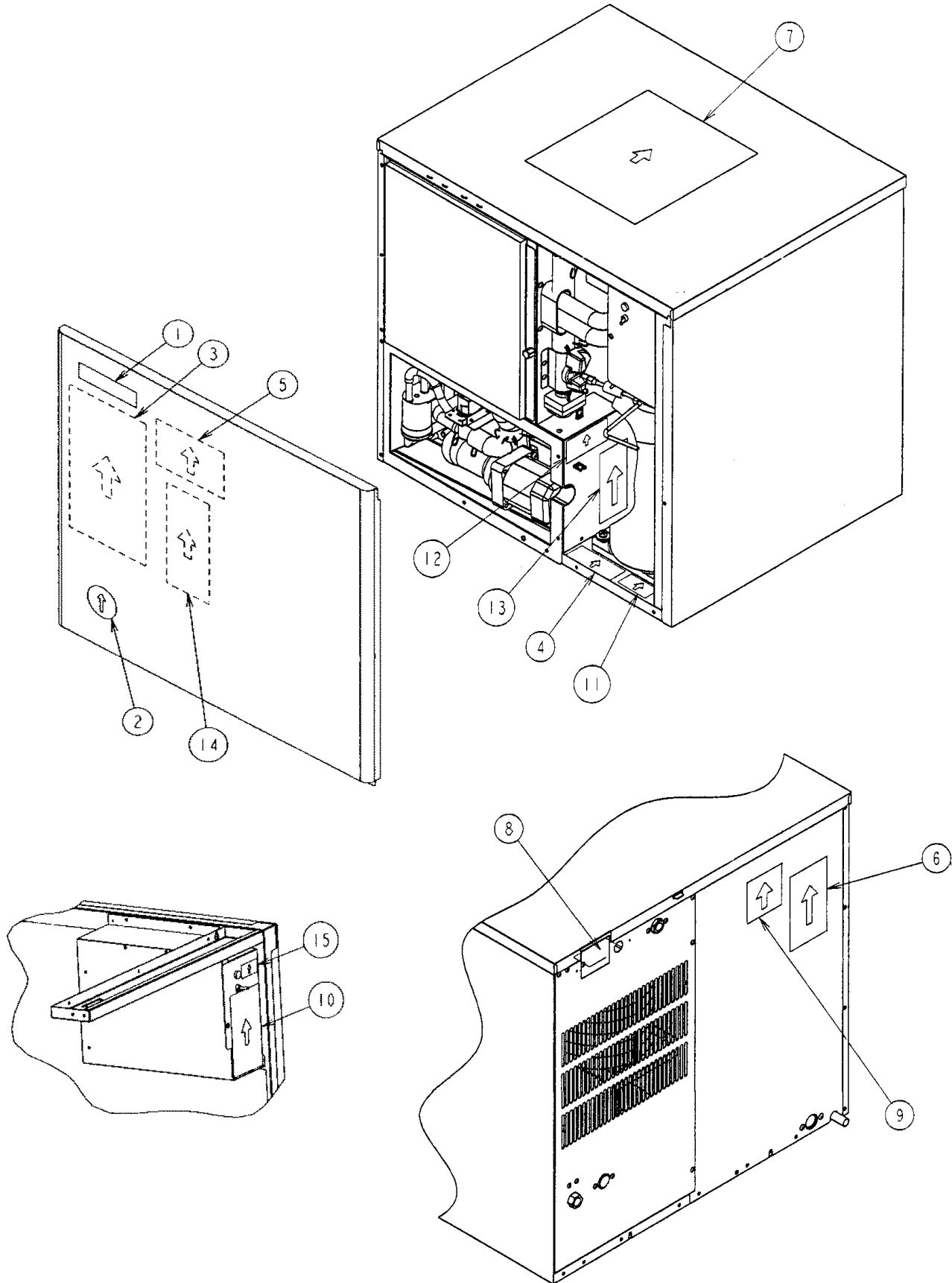
HA

MODEL: <b>KMD-900MAH, MWH, MRH</b> TITLE: <b>D. CONTROL BOX ASSEMBLY</b>										
INDEX NO.	DESCRIPTION	MATERIAL OR MODEL NUMBER	PART NUMBER	REQUIRED NUMBER						
				N-0	N-1					
1	CONTROL BOX	-	2A2799-01	1	1					
2	CAPACITOR - STARTING	145-174 MFD, 250V	3A0076-11	1	1					
3	CAPACITOR - RUN	35MFD 370V	3A2005-05	1	1					
4	STRAP	GS	4A2262-03	1	1					
5	T2 SCREW	4X8	7P31-0408	6	6					
6	STARTER	-	4A1107-09	1	1					
7	MAGNETIC CONTACTOR	VC20	428393-01	1	1					
8	BRACKET	-	428393F01	1	1					
9	CAPACITOR	10MFD 250V	443192-01	1	1					
10	T2 SCREW	4X10	7P31-0410	1	1					
11	FUSE HOLDER	HTB921	4A0892-01	1	1					
12	FUSE	AGC-10	4A0893-07	2	2					
13	TRANSFORMER	26D285H	3A0172-01	1	1					
14	CONTROLLER BOARD	HOSHIZAKI-001A	2A1410-01	1	1					
15	BOARD SUPPORT	OBL37-M	4A0336-03	4	4					
16	RELAY	LY2F 120VAC	406132-07	1	1					
17	TAPPING SCREW	3X8	431415-01	4	4					
18	TERMINAL BLOCK	-	4A2619-01	1	1					
19	TOGGLE SWITCH	8966K84	443119-01	1	1					
20	BUSHING	SB-1093-15	420470-03	1	1					
21	BUSHING	OCB-875	428394-04	1	1					
22	RESISTOR WIRE HARNESS	L=1220	4A2200G01	1	1					



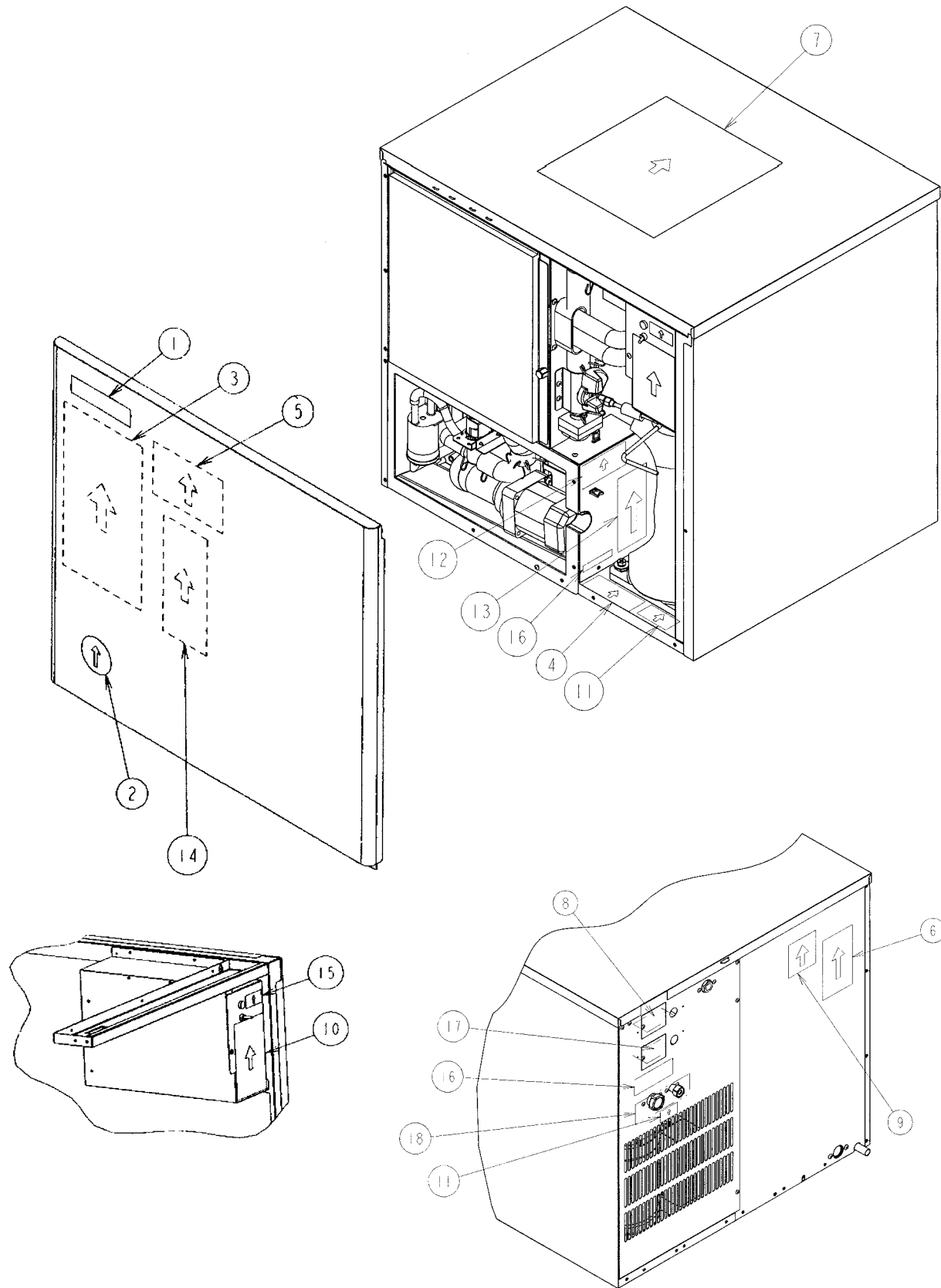
HA

MODEL: KMD-900MAH				TITLE: E. LABEL LOCATION									
INDEX NO.	DESCRIPTION	MATERIAL OR MODEL NUMBER	PART NUMBER	REQUIRED NUMBER									
				N-0	N-1								
1	EMBLEM	ABS	4A0560-01	1	1								
2	LABEL - PENGUIN (R)	PETP FILM	4A0526-01	1	1								
3	LABEL - AIR FILTER	PETP FILM	426177-01	1	1								
4	MAINTENANCE LABEL	PVC FILM	2A2821-01	1	1								
5	CAUTION LABEL (F)	PVC FILM	439146-01	1	1								
6	CAUTION LABEL (K)	PVC FILM	439150-01	1	1								
7	WIRING LABEL	PVC FILM	3A2803-01	1	1								
8	NAMEPLATE	-	2A2710-01	1	1								
9	INSTRUCTION SHEET	PAPER	2A2822-01	1	1								
10	TAG - WARNING: ELECTRICAL CONNECTION	PAPER	428430-01	1	1								
11	INSTRUCTION LABEL	PVC FILM	444575-01	1	1								
12	MANUAL LABEL	PVC FILM	3A2729-01	1	1								
13	LABEL – R-404A	PES FILM	4A0960-01	1	1								
14	OPERATION LABEL - VALVE	PVC FILM	439541-01	1	1								
15	RATING LABEL	-	2A2711-01	1	1								
16	LABEL – CONTROL BOARD	PVC FILM	3A2220-01	1	1								
17	LABEL –FUSE	-	4A2817-01	1	1								



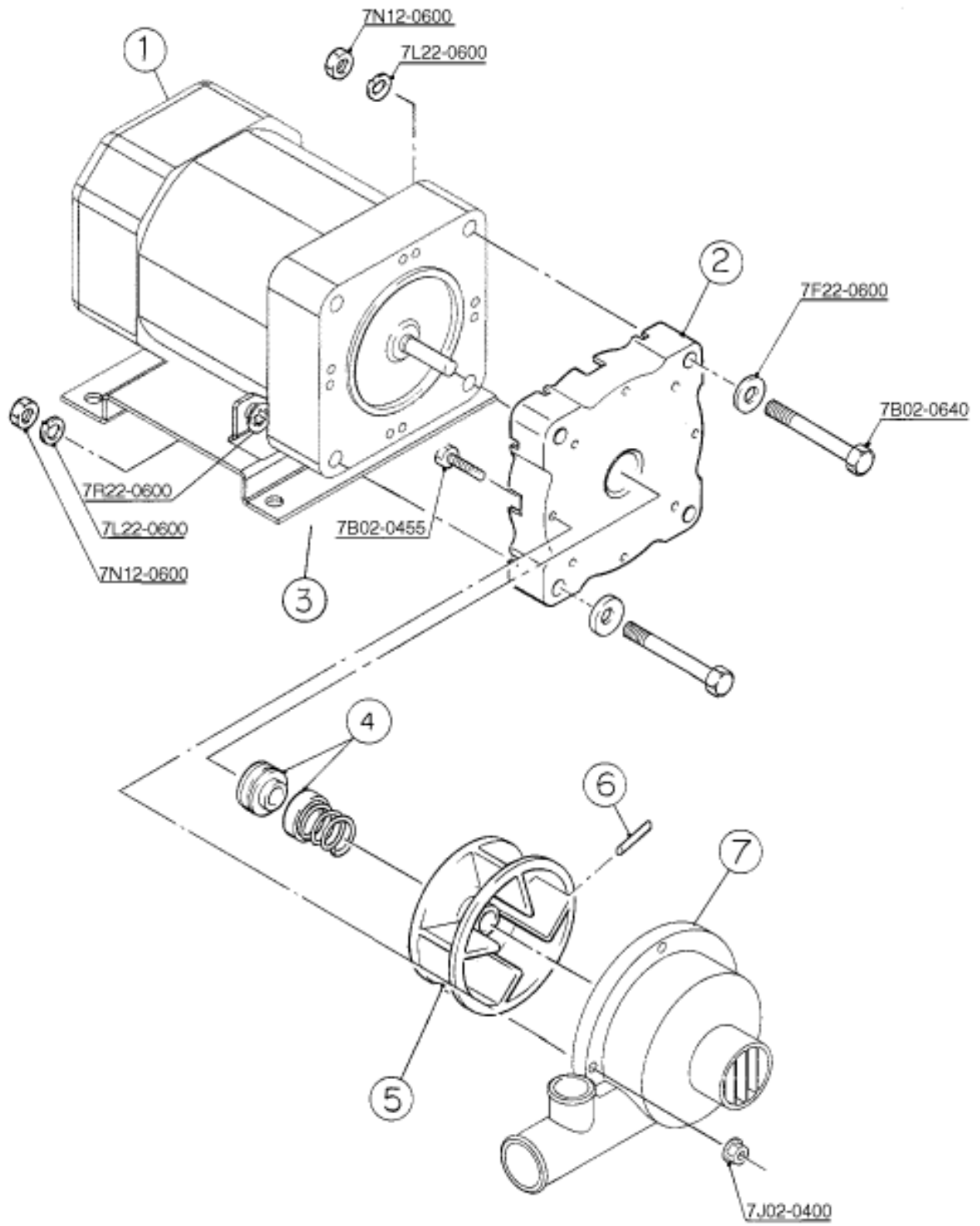
HA

MODEL: KMD-900MWH				TITLE: E. LABEL LOCATION									
INDEX NO.	DESCRIPTION	MATERIAL OR MODEL NUMBER	PART NUMBER	REQUIRED NUMBER									
				N-0	N-1								
1	EMBLEM	ABS	4A0560-01	1	1								
2	LABEL - PENGUIN (R)	PETP FILM	4A0526-01	1	1								
3	MAINTENANCE LABEL	PVC FILM	2A2821-01	1	1								
4	CAUTION LABEL (K)	PVC FILM	439150-01	1	1								
5	WIRING LABEL	PVC FILM	3A2803-01	1	1								
6	NAMEPLATE	-	2A2710-02	1	1								
7	INSTRUCTION SHEET	PAPER	2A2822-01	1	1								
8	TAG - WARNING: ELECTRICAL CONNECTION	PAPER	428430-01	1	1								
9	INSTRUCTION LABEL	PVC FILM	444575-01	1	1								
10	MANUAL LABEL	PVC FILM	3A2729-01	1	1								
11	LABEL – R-404A	PES FILM	4A0960-01	1	1								
12	OPERATION LABEL - VALVE	PVC FILM	439541-01	1	1								
13	RATING LABEL	-	2A2711-02	1	1								
14	LABEL – CONTROL BOARD	PVC FILM	3A2220-01	1	1								
15	LABEL –FUZE	-	4A2817-01	1	1								



HA

MODEL: KMD-900MRH				TITLE: E. LABEL LOCATION									
INDEX NO.	DESCRIPTION	MATERIAL OR MODEL NUMBER	PART NUMBER	REQUIRED NUMBER									
				N-0	N-1								
1	EMBLEM	ABS	4A0560-01	1	1								
2	LABEL - PENGUIN (R)	PETP FILM	4A0526-01	1	1								
3	MAINTENANCE LABEL	PVC FILM	2A2821-01	1	1								
4	CAUTION LABEL (K)	PVC FILM	439150-01	1	1								
5	WIRING LABEL	PVC FILM	3A2816-01	1	1								
6	NAMEPLATE	-	2A2710-03	1	1								
7	INSTRUCTION SHEET	PAPER	2A2822-01	1	1								
8	TAG - WARNING: ELECTRICAL CONNECTION	PAPER	428430-01	1	1								
9	INSTRUCTION LABEL	PVC FILM	444575-01	1	1								
10	MANUAL LABEL	PVC FILM	3A2729-01	1	1								
11	LABEL – R-404A	PES FILM	4A0960-01	1	1								
12	CAUTION – REMOTE LABEL	-	4A1491-01	1	1								
13	OPERATION LABEL - VALVE	PVC FILM	439541-01	1	1								
14	RATING LABEL	-	2A2711-03	1	1								
15	LABEL – CONTROL BOARD	PVC FILM	3A2220-01	1	1								
16	LABEL –FUSE	-	4A2817-01	1	1								
17	TAG – FAN MOTOR LEADS	-	4A1494-01	1	1								
18	CAUTION TAPE – 404A	-	4A1535L01	1	1								





HA

MODEL: <b>KMD-900MAH, MWH, MRH</b> TITLE: <b>F. PUMP MOTOR ASSEMBLY</b>										
INDEX NO.	DESCRIPTION	MATERIAL OR MODEL NUMBER	PART NUMBER	REQUIRED NUMBER						
				N-0	N-1					
1	PUMP MOTOR	-	2U0106-01	1	1					
2	PUMP FLANGE	-	215662-01	1	1					
3	PUMP MOTOR BRACKET	-	323904-01	1	1					
	TOOTH WASHER	6, SS	7R22-0600	2	2					
	HEXAGON BOLT	6X40, SS	7B02-0640	4	4					
	SPLIT LOCK WASHER	6, SS	7L22-0600	4	4					
	FLAT WASHER	6, SS	7W22-0600	4	4					
	NUT	6, SS	7N12-0600	4	4					
4	MECHANICAL SEAL	H5-PN, 8 MM	428545-01	1	1					
5	IMPELLER	ABS	428548-01	1	1					
6	PIN	SS	4A0648-01	1	1					
7	PUMP HOUSING	-	2A2762-01	1	1					
	HEXAGON BOLT	4X30, SS	7B02-0430	4	4					
	FLANGE NUT	4, SS	7J02-0400	4	4					

HA

MODEL: <b>KMD-900MAH, MWH, MRH</b> TITLE: <b>G. ACCESSORIES &amp; PACKAGING</b>										
INDEX NO.	DESCRIPTION	MATERIAL OR MODEL NUMBER	PART NUMBER	REQUIRED NUMBER						
				N-0	N-1					
1	INSTRUCTION MANUAL	PAPER	91A1QA10A	1	x1					
		PAPER	91A1QA10B		o1					
2	UNIVERSAL BRACE	GS	4A0363-01	2	2					
2a	HEX HEAD BOLT	5X12, SS	7B02-0512	2	2					
<b>PACKAGING (available only on models currently in production)</b>										
<b>KMD-900MAH</b>			<b>2A2126A06</b>							
	PALLET		2A0853-13	1	1					
	TRAY		2A2173-07	1	1					
	WOOD BLOCK – B		4A0004-02	3	3					
	CORNER POST		3A0788-17	4	4					
	WOOD BLOCK – C		4A0004-03	2	2					
	SIDE PROTECTOR		4A2304-01	3	3					
	CARTON		2A2125-09	1	1					
	SIDE PROTECTOR		4A2304-02	2	2					
	CORNER POST		3A0788-04	2	2					
<b>KMD-900MWH and MRH</b>			<b>2A2126A05</b>							
	PALLET		2A0853-12	1	1					
	TRAY		2A2173-06	1	1					
	WOOD BLOCK – B		4A0004-02	3	3					
	CORNER POST		3A0788-17	4	4					
	WOOD BLOCK – C		4A0004-03	2	2					
	SIDE PROTECTOR		4A2304-01	3	3					
	CARTON		2A2125-08	1	1					
	SIDE PROTECTOR		4A2304-02	2	2					
	CORNER POST		3A0788-15	2	2					