

Hoshizaki America, Inc.

Modular Crescent Cuber

Model
KMD-410MWH



“A Superior Degree
of Reliability”

www.hoshizaki.com

PARTS LIST



Number: F044-3238
Issued: 7-23-2009
Revised: 5-6-2016

Auxiliary Codes

KMD-410MWH	U-1	July 2009
	V-0	January 2010
	V-1	February 2010
	V-2	July 2010
	A-0	January 2011
	A-1	April 2011
	F-0	January 2016
	F-1	May 2016

Auxiliary Code Breakdown

The auxiliary code is the first two characters in the serial number. The first character indicates the year. Years progress or regress in alphabetical order. The series runs from "A" through "V" and the letters "I" and "O" are skipped. The second character indicates significant part changes within a year. Base is "0" and this number advances for each change. In cases where there is a letter in parentheses, this designates the month. This is the last character in the serial number. The series runs from "(A)" through "(M)" and the letter "(I)" is skipped. This designation is only included when identifying a parts change within an auxiliary code.

Note About Ordering Parts

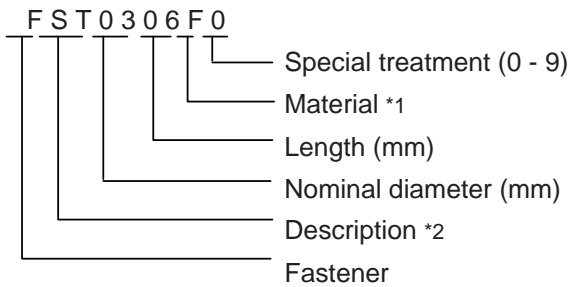
Most assemblies cannot be ordered as complete units; parts in the assemblies generally must be ordered separately.

MARKS LOCATED UNDER THE AUXILIARY CODE

- = Part deleted.
- x = Part deleted and replaced by "o" part.
- o = New part in place of "x" part.

FASTENER PART NUMBER

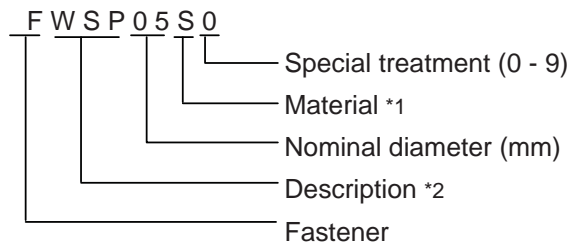
SCREWS



*1

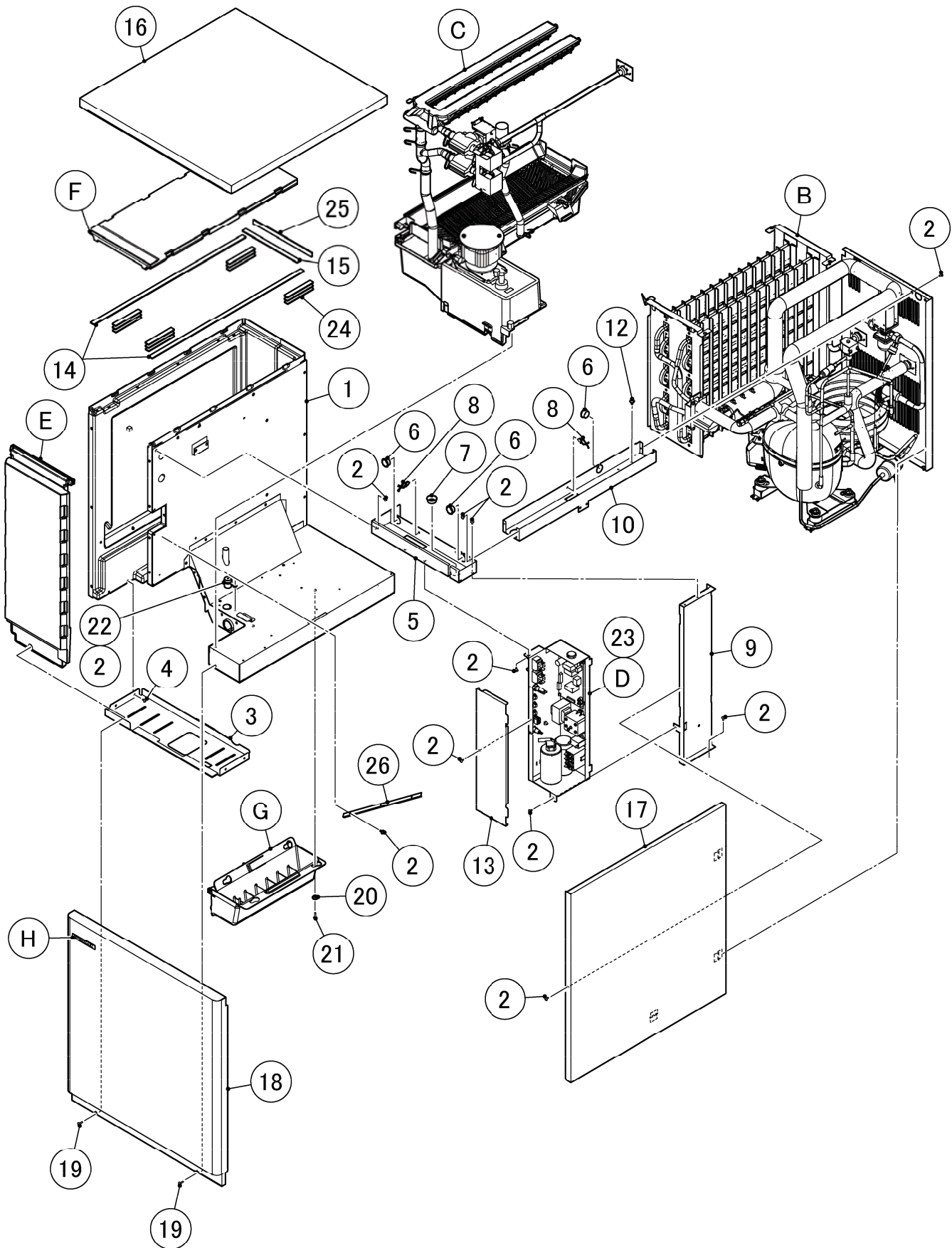
- F: Steel
- S: Austenitic stainless steel
- M: Martensitic stainless steel
- B: Copper alloy
- P: Polycarbonate
- N: Polyamide
- V: PVC
- A: ABS
- X: Polyacetal
- L: Aluminum

NUTS & WASHERS



*2

- First letter
- S: Machine screw
- T: Tapping screw
- M: Wood screw
- B: Bolt
- W: Washer
- N: Nut

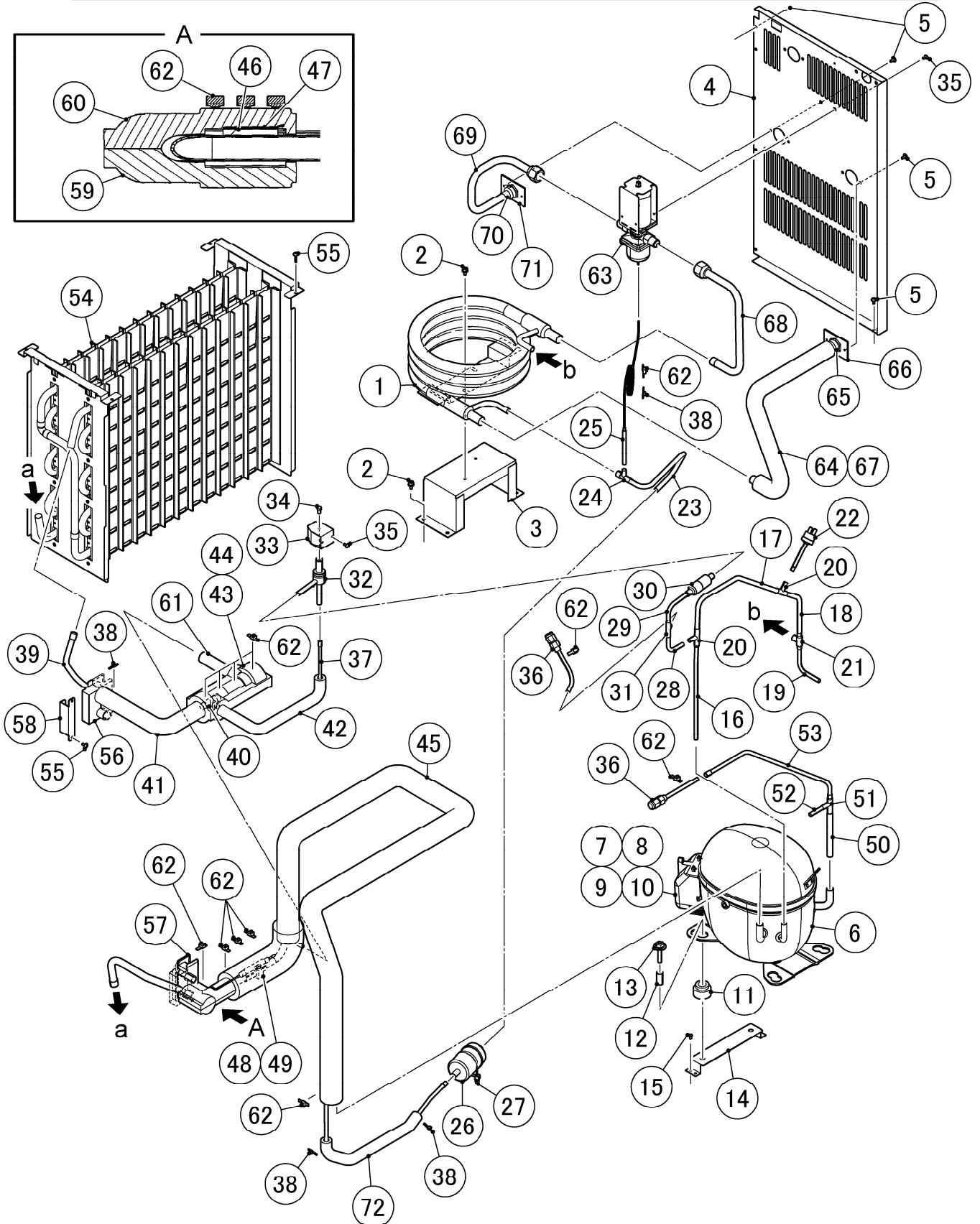


HA

MODEL: KMD-410MWH		TITLE: A. ICE CUBER ASSY					
INDEX NO.	DESCRIPTION	MATERIAL OR MODEL NUMBER	PART NUMBER	REQ'D NUMBER			
				U-1,V-0	V-1	V-2,A-0	A-1
B	REFRIGERATION CIRCUIT		119827A01	1	1	1	1
C	WATER CIRCUIT		119820A01	1	1	1	1
D	CONT. BOX ASSY		257522A01	1	1	1	1
E	FRONT INSULATION ASSY		371887A01	1	1	1	1
F	TOP INSULATION ASSY		374537A01	1	1	1	1
G	BIN SWITCH		371886A01	1	1	1	1
H	LABEL LOCATION		119828A01	1	1	1	1
K	ACCESSORIES		A01924-01	1	1	1	1
1	EVAP. CASE		119110G05	1	1	1	1
2	T2 SCREW	4X8	FT20408F0	15	15	15	18
3	BOTTOM FRAME		371876M01	1	1	1	1
4	T2 SCREW	4X8 SUS	FT20408M0	4	4	4	4
5	TOP FRAME		371867M01	1	1	1	1
6	BUSHING	OCB-875	428394-04	3	3	3	3
7	BUSHING	OCB-750	428394-01	1	1	1	1
8	CLAMP	No.249	427902-03	2	2	3	3
9	SIDE FRAME (A)		371873M01	1	1	1	1
10	SIDE FRAME (B)		371866M01	1	1	1	1
44	SQUARE WASHAR		433537-02	4	4	4	4
12	SCREW - GROUNDING		433304-02	1	1	1	1
13	CONT. BOX COVER		371874M01	1	1	1	1
14	GASKET	L=563	119826Z01	2	2	2	2
15	GASKET	L=203	119826Z02	1	1	1	1
16	TOP PANEL		255967M02	1	1	1	1
17	SIDE PANEL (R)		255966G04	1	1	1	1
18	FRONT PANEL		373166G01	1	1	1	1
19	TRUSS HEAD SCREW	4X20 SUS	FST0420S0	2	2	2	2
20	COLLAR		435269-01	4	4	4	4

HA

MODEL: KMD-410MWH		TITLE: A. ICE CUBER ASSY					
INDEX NO.	DESCRIPTION	MATERIAL OR MODEL NUMBER	PART NUMBER	REQ'D NUMBER			
				U-1,V-0	V-1	V-2,A-0	A-1
21	T2 SCREW	4X16 SUS	FT20416M0	4	4	4	4
22	HOLE PLUG		373078R01	1	1	1	1
23	WIRE HARNESS		373139Z02	1	1	1	1
24	GASKET	L=50	119826Z03	12	12	12	12
25	GASKET	L=215	119826Z04	1	1	1	1
26	PLATE - SIDE PANEL		379577M01				1



HA

MODEL: KMD-410MWH				TITLE: B. REFRIGERATION CIRCUIT			
INDEX NO.	DESCRIPTION	MATERIAL OR MODEL NUMBER	PART NUMBER	REQ'D NUMBER			
				U-1,V-0	V-1	V-2,A-0	A-1
1	CONDENSER - WATER COOLED		P01212-01	1	1	1	1
2	HEX HEAD BOLT W/WASHER [SW]	5X10 SUS	FBK0510S0	6	6	6	6
3	BASE - CONDENSER WATER COOLED		372520M01	1	1	1	1
4	REAR PANEL		256723M02	1	1	1	1
5	T2 SCREW	4X8	FT20408F0	9	9	9	9
6	COMPRESSOR	NT6217GKV	P01550-01	1	1	1	1
7	TERMINAL COVER		P02814-01	1	1	1	1
8	PROTECTOR	T0873/G9	P01552-01	1	1	1	1
9	PROTECTOR RETAINER		P02815-01	1	1	1	1
10	SCREW		P00840-01	1	1	1	1
11	GROMMET		P00846-01	4	4	4	4
12	SPACER		P00847-01	4	4	4	4
13	BOLT	M8X35	436206-03	4	4	4	4
14	COMP. MOUNT		371868G01	2	2	2	2
15	RIVET	SSD43SSBS	7170-0005	8	8	8	8
16	COPPER TUBE (A1) - HIGH SIDE	COPPER TUBE (A) - HIGH SIDE 256728G01	256728M01	1	1	1	1
17	COPPER TUBE (A2) - HIGH SIDE	COPPER TUBE (A) - HIGH SIDE 256728G01	256728M02	1	1	1	1
18	COPPER TUBE (A3) - HIGH SIDE	COPPER TUBE (A) - HIGH SIDE 256728G01	256728M03	1	1	1	1
19	COPPER TUBE (A4) - HIGH SIDE	COPPER TUBE (A) - HIGH SIDE 256728G01	256728M04	1	1	1	1
20	TEE	COPPER TUBE (A) - HIGH SIDE 256728G01	420041-02	2	2	2	2
21	TEE	COPPER TUBE (A) - HIGH SIDE 256728G01	420041-16	1	1	1	1

HA

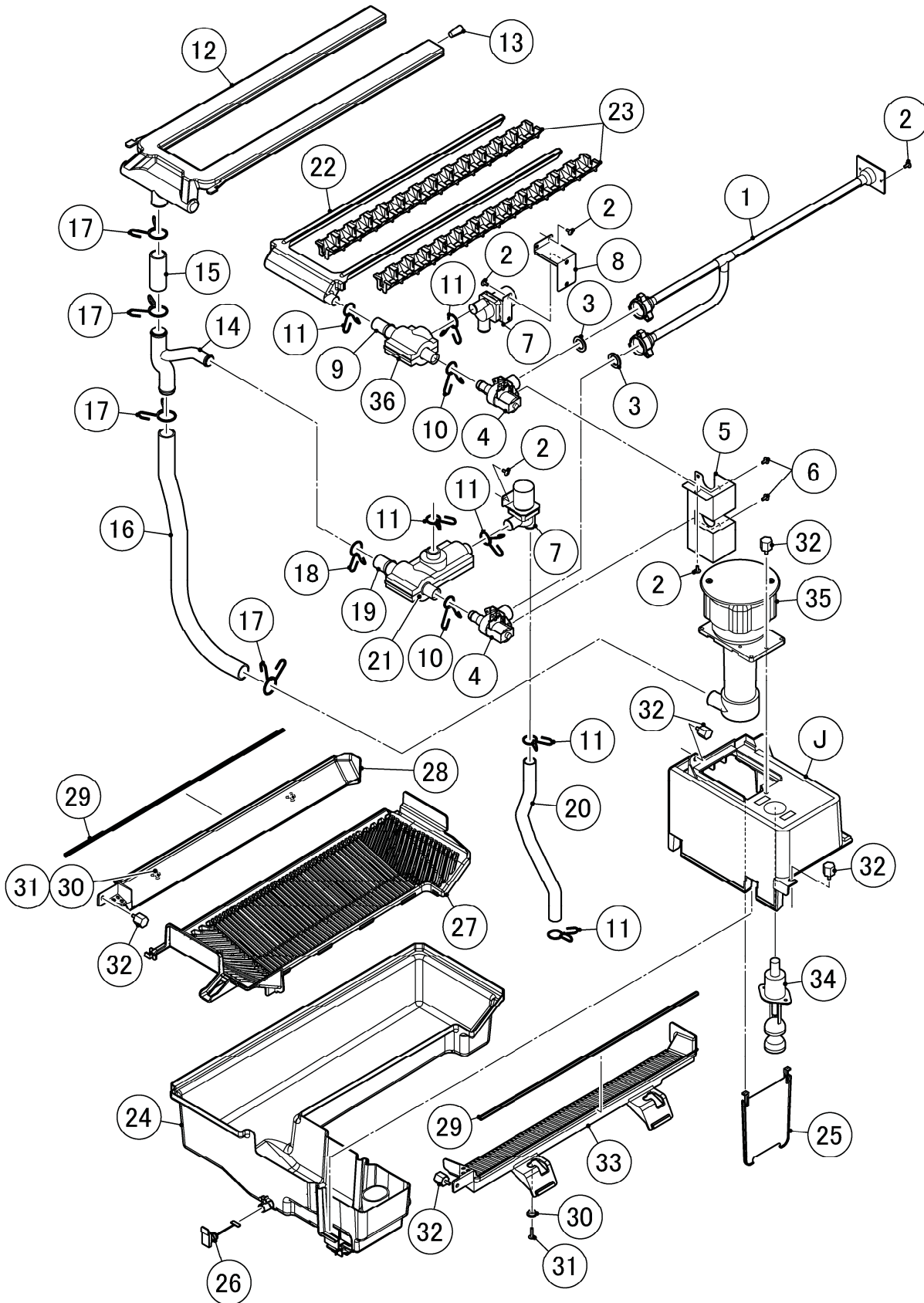
MODEL: KMD-410MWH				TITLE: B. REFRIGERATION CIRCUIT			
INDEX NO.	DESCRIPTION	MATERIAL OR MODEL NUMBER	PART NUMBER	REQ'D NUMBER			
				U-1,V-0	V-1	V-2,A-0	A-1
22	PRESSURE SWITCH	ACB-1UB43	463180-05	1	1	1	1
23	COPPER TUBE (B1) - HIGH SIDE	COPPER TUBE (B) - HIGH SIDE 372527G01	372527M01	1	1	1	1
24	TEE	COPPER TUBE (B) - HIGH SIDE 372527G01	4A1545-02	1	1	1	1
25	COPPER TUBE (B) - CAPILLARY		446047-02	1	1	1	1
26	DRIER	DML032.5s	462965-01	1	1	1	-
		DML032S	P02070-01				1
27	PUSH MOUNT TIE	T50RSF	436156-02	1	1	1	1
28	COPPER TUBE (D1) - HIGH SIDE	COPPER TUBE (D) - HIGH SIDE 371885G01	371885M01	1	1	1	1
29	COPPER TUBE (D2) - HIGH SIDE	COPPER TUBE (D) - HIGH SIDE 371885G01	371885M02	1	1	1	1
30	STRAINER	COPPER TUBE (D) - HIGH SIDE 371885G01	P00812-01	1	1	1	1
31	TEE	COPPER TUBE (D) - HIGH SIDE 371885G01	417394-01	1	1	1	1
32	VALVE BODY	ATS-B7SHDU-2	4A3978-01	1	1	1	1
33	COIL-VALVE	AMS-C12HDU-3	4A3277-01	1	1	1	1
34	BOLT	M4X8	4A3277F01	1	1	1	1
35	TRUSS HEAD SCREW	4X8 SUS	FST0408S0	4	4	4	4
36	ACCESS VALVE	TCJ-2F20NHDU-1	457729-01	2	2	2	2
37	COPPER TUBE (E1) - HOT GAS	COPPER TUBE (E) - HOT GAS 371883G02	372521M01	1	1	1	1
38	TIE	CV-100	7920-0002	4	4	4	4

HA

MODEL: KMD-410MWH		TITLE: B. REFRIGERATION CIRCUIT					
INDEX NO.	DESCRIPTION	MATERIAL OR MODEL NUMBER	PART NUMBER	REQ'D NUMBER			
				U-1,V-0	V-1	V-2,A-0	A-1
39	COPPER TUBE (E2) - HOT GAS	COPPER TUBE (E) - HOT GAS 371883G02	371880M01	1	1	1	1
40	TEE	COPPER TUBE (E) - HOT GAS 371883G02	420335-01	1	1	1	1
41	INSULATION TUBE	COPPER TUBE (E) - HOT GAS 371883G02 L=290	H71030290	1	1	1	1
42	INSULATION TUBE	COPPER TUBE (E) - HOT GAS 371883G02 L=360	H71020360	1	1	1	1
43	EXP. VALVE	HFE-10NHD-2	4A1414-01	1	1	1	1
44	EXPANSION VALVE COVER		3A0944-01	1	1	1	1
45	HEAT EXCHANGER		255974G02	1	1	1	1
46	THERMISTOR	NBFC-36-H60-1	P00027-01	1	1	1	1
47	HOLDER - THERMISTOR		427430-01	1	1	1	1
48	HOLDER / EXP. VALVE - 3/8		3A0107-01	1	1	1	1
49	CLAMP		443461-02	1	1	1	1
50	COPPER TUBE (F1) - ACCESS VALVE	COPPER TUBE (F) - ACCESS VALVE 371877G01	371877M01	1	1	1	1
51	TEE	COPPER TUBE (F) - ACCESS VALVE 371877G01	417394-01	1	1	1	1
52	COPPER TUBE (F2) - ACCESS VALVE	COPPER TUBE (F) - ACCESS VALVE 371877G01	371877M03	1	1	1	1
53	COPPER TUBE (F3) - ACCESS VALVE	COPPER TUBE (F) - ACCESS VALVE 371877G01	371877M04	1	1	1	1
54	EVAPORATOR ASSY		257091G01	1	1	1	1
55	T2 SCREW	4X8 SUS	FT20408M0	6	6	6	6

HA

MODEL: KMD-410MWH		TITLE: B. REFRIGERATION CIRCUIT					
INDEX NO.	DESCRIPTION	MATERIAL OR MODEL NUMBER	PART NUMBER	REQ'D NUMBER			
				U-1,V-0	V-1	V-2,A-0	A-1
56	RUBBER INSULATION (B)		3A1045-01	1	1	1	1
57	RUBBER INSULATION (A)		3A1044-01	1	1	1	1
58	INSULATION HOLDER		473043M01	1	1	1	1
59	INSULATION - THERMISTOR (A)		439368-01	1	1	1	1
60	INSULATION - THERMISTOR (B)		439368-02	1	1	1	1
61	INSULATION TUBE	L=90	7762-1020	1	1	1	1
62	TIE	CV-200	7920-0010	14	14	14	14
63	WATER REGULATOR		P04029-01	1	1	1	1
64	COPPER TUBE (A1) - WATER CIRCUIT	COPPER TUBE (A) - WATER CIRCUIT 372524G01	372524M01	1	1	1	1
65	INLET FITTING	COPPER TUBE (A) - WATER CIRCUIT 372524G01	P01214-01	1	1	1	1
66	FITTING HOLDER	COPPER TUBE (A) - WATER CIRCUIT 372524G01	4A0764-01	1	1	1	1
67	INSULATION TUBE	COPPER TUBE (A) - WATER CIRCUIT 372524G01 L=430	7762-1330	1	1	1	1
68	COPPER TUBE (B) - WATER CIRCUIT		372525M01	1	1	1	1
69	COPPER TUBE (C1) - WATER CIRCUIT	COPPER TUBE (C) - WATER CIRCUIT 372526G01	372526M01	1	1	1	1
70	INLET FITTING	COPPER TUBE (C) - WATER CIRCUIT 372526G01	P01214-01	1	1	1	1
71	FITTING HOLDER	COPPER TUBE (C) - WATER CIRCUIT 372526G01	4A0764-01	1	1	1	1
72	INSULATION TUBE	L=245	H71020245	1	1	1	1



HA

MODEL: KMD-410MWH		TITLE: C. WATER CIRCUIT ASSY					
INDEX NO.	DESCRIPTION	MATERIAL OR MODEL NUMBER	PART NUMBER	REQ'D NUMBER			
				U-1,V-0	V-1	V-2,A-0	A-1
J	PUMP BRACKET ASSY		371889A01	1	1	1	1
1	WATER SUPPLY PIPE		371882G01	1	1	1	1
2	T2 SCREW	4X8	FT20408F0	9	9	9	9
3	RUBBER GASKET		413854-03	2	2	2	2
4	WATER VALVE	V19 4L/min	P01559-01	2	2	2	2
5	WATER VALVE BRACKET		371875G01	1	1	1	1
6	TRUSS HEAD SCREW	4X8 SUS	FST0408S0	4	4	4	4
7	SOLENOID VALVE	FDC-90-02-115	P00018-02	2	2	2	2
8	BRACKET - NSF VALVE		474226M01	1	1	1	1
9	TEE		371167R01	1	1	1	1
10	HOSE CLAMP ※Use either of the right	16.5mm SUS	427443-04	2	2	2	2
			P02909-04	2	2	2	2
11	HOSE CLAMP ※Use either of the right	18mm SUS	427443-05	6	6	6	6
			P02909-05	6	6	6	6
12	SPRAY TUBE		256969P01	1	1	1	1
13	PLUG		4A0176-01	2	2	2	2
14	CONNECTING PIPE		371162P02	1	1	1	1
15	SILICONE HOSE	Φ20XΦ 25(CLEAR)L=60	H12025060	1	1	1	1
16	SILICONE HOSE	Φ20XΦ 25(CLEAR)L=465	H12025465	1	1	1	1
17	HOSE CLAMP ※Use either of the right	25mm SUS	427443-03	4	4	4	4
			P02909-03	4	4	4	4
18	HOSE CLAMP ※Use either of the right	20mm SUS	427443-06	1	1	1	1
			P02909-06	1	1	1	1
19	BYPASS HOSE		371165R01	1	1	1	1
20	SILICONE HOSE	Φ15XΦ 19(CLEAR)L=340	H11519340	1	1	1	1
21	BYPASS INSULATION		371169Z01	1	1	1	1
22	WATER SUPPLY TUBE		256968P01	1	1	1	1

HA

MODEL: KMD-410MWH		TITLE: C. WATER CIRCUIT ASSY					
INDEX NO.	DESCRIPTION	MATERIAL OR MODEL NUMBER	PART NUMBER	REQ'D NUMBER			
				U-1,V-0	V-1	V-2,A-0	A-1
23	SPRAY GUIDE		252052P03	2	2	2	2
24	TANK		255326G02	1	1	1	1
25	PARTITION PLATE		371160P01	1	1	1	1
26	DRAIN CAP		371168G01	1	1	1	1
27	CUBE GUIDE		118904P01	1	1	1	1
28	DEFLECTOR (L)		255250P01	1	1	1	1
29	GASKET		371166R01	2	2	2	2
30	COLLAR		435269-01	4	4	4	4
31	T2 SCREW	4X16 SUS	FT20416M0	4	4	4	4
32	THUMBSCREW		415949G12	5	5	5	5
33	DEFLECTOR (R)		255249P01	1	1	1	1
34	FLOAT SWITCH	OLV-29Z-2P2	P00816-01	1	1	1	1
35	PUMP MOTOR	PV-211BHZ1	4A4259-01	1	1	1	1
36	INLET INSULATION		373079Z01	1	1	1	1

