

Hoshizaki America, Inc.

Modular Crescent Cuber

Models

KM-650MAH, MWH, MRH



“A Superior Degree
of Reliability”

www.hoshizaki.com

PARTS LIST



Number: 71264
Issued: 11-28-2006
Revised: 5-7-2015

CONTENTS

Auxiliary Codes.....	3
Note About Ordering Parts	4
A. Main Assembly & Refrigeration Circuit	5
KM-650MAH.....	5
KM-650MWH.....	7
KM-650MRH	9
B. Water Circuit	11
C. Control Box Assembly	13
D. Accessories & Labels	15

Auxiliary Codes

KM-650MAH R-0 July 2006
S-1 January 2007
S-2 May 2007
T-0 January 2008
U-0 January 2009
U-1 February 2009
V-0 February 2010
V-1 March 2010
V-2 May 2010
V-3 June 2010
V-4 August 2010
A-0 January 2011
A-1 September 2011
B-0 January 2012
C-0 January 2013
C-1 May 2013
D-1 January 2014
D-2 December 2014
E-0 January 2015

KM-650MWH R-0 July 2006
S-1 January 2007
T-0 January 2008
U-1 June 2009
V-0 January 2010
V-1 March 2010
V-2 May 2010
V-3 June 2010
V-4 August 2010
A-0 February 2011
A-1 September 2011
B-0 January 2012
C-0 January 2013
C-1 May 2013
C-2 September 2013
D-1 January 2014
E-0 January 2015

KM-650MRH R-0 July 2006
S-1 January 2007
T-0 January 2008
U-0 January 2009
U-1 February 2009
U-2 July 2009
V-0 January 2010
V-1 March 2010
V-2 May 2010
V-3 June 2010
V-4 August 2010
A-0 January 2011
A-1 October 2011
B-0 January 2012
C-0 January 2013
C-1 May 2013
C-2 December 2013
D-1 January 2014
D-2 October 2014
D-3 December 2014
E-0 January 2015

Auxiliary Code Breakdown

The auxiliary code is the first two characters in the serial number. The first character indicates the year. Years progress or regress in alphabetical order. The series runs from "A" through "V" and the letters "I" and "O" are skipped. The second character indicates significant part changes within a year. Base is "0" and this number advances for each change. In cases where there is a letter in parentheses, this designates the month. This is the last character in the serial number. The series runs from "(A)" through "(M)" and the letter "(I)" is skipped. This designation is only included when identifying a parts change within an auxiliary code.

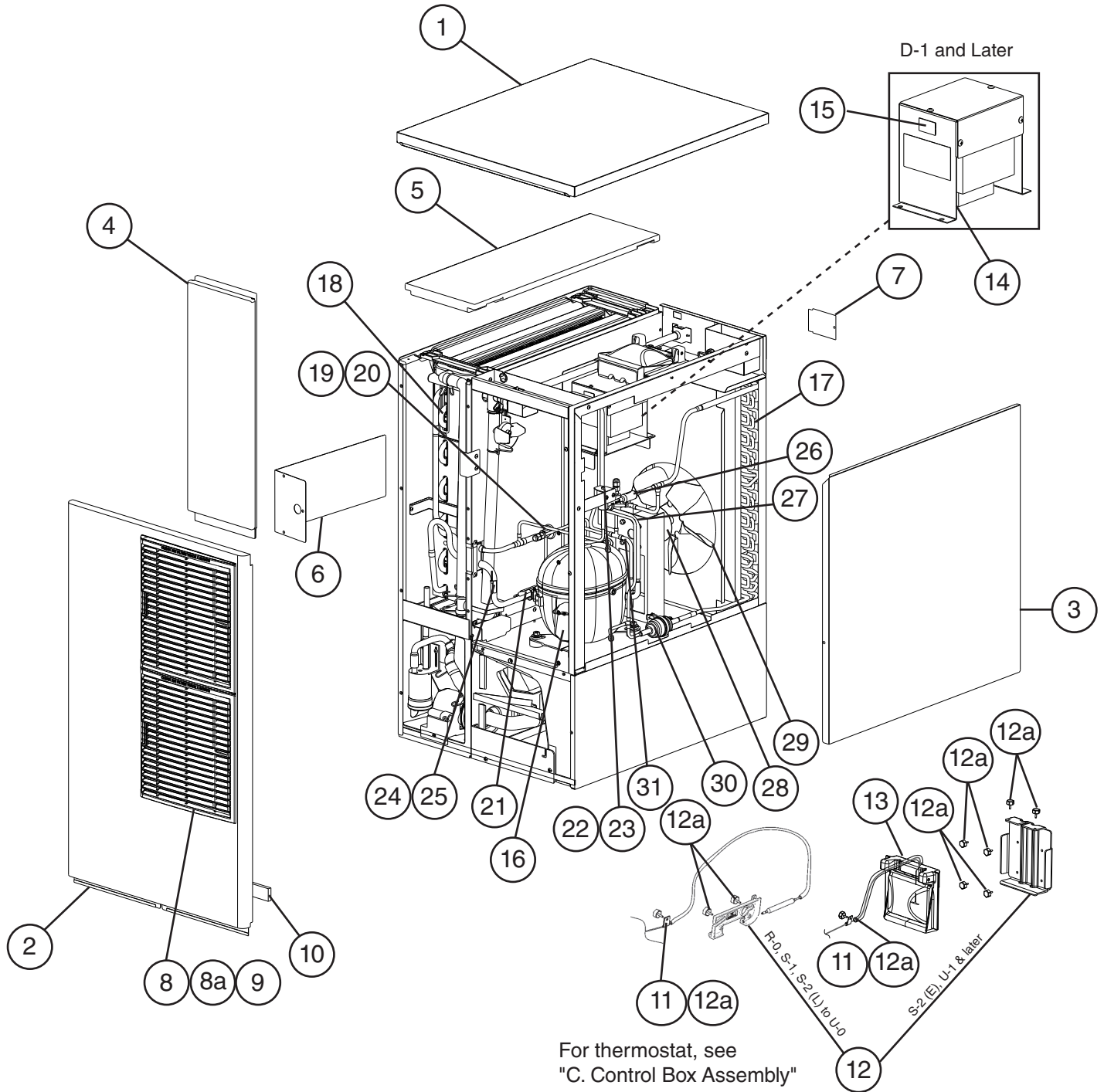
Note About Ordering Parts

Most assemblies cannot be ordered as complete units; parts in the assemblies generally must be ordered separately.

A. Main Assembly & Refrigeration Circuit

KM-650MAH

R-0 to E-0

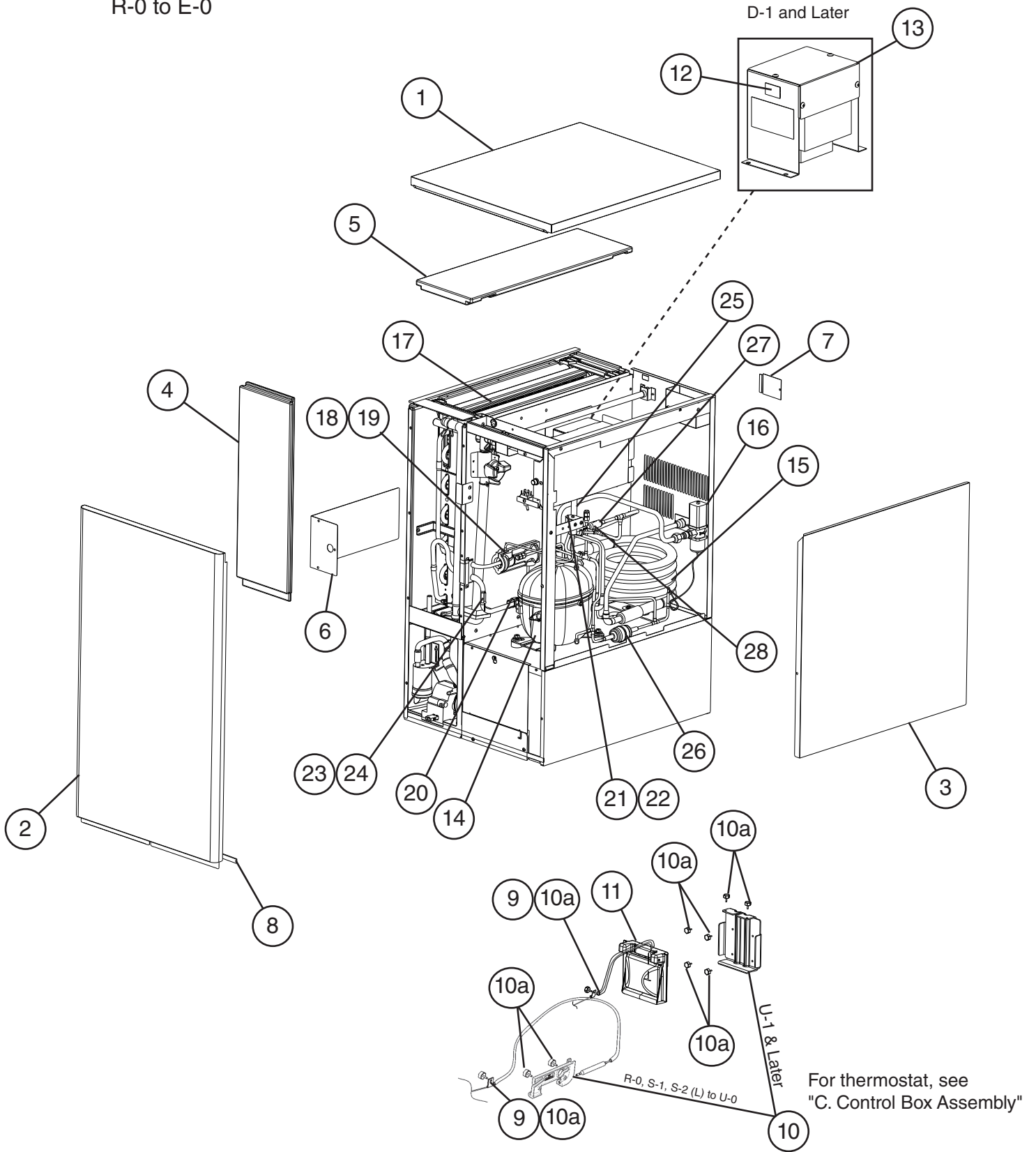


Title: A. Main Assembly & Refrigeration Circuit Model: KM-650MAH												
Index No.	Description	Material or Model Number	Part Number	Required Number								
				R-0 S-1	S-2 (E)	S-2 (L) to U-0	U-1 (B-H)	U-1 (J) to V-1	V-2 to V-4	C-1	D-1 E-0	
Main Assembly												
1	Top Panel		3A3878A01	1	1	1	1	1	1	1	1	1
2	Front Panel		2A2243G01	1	1	1	1	1	1	1	1	1
3	Right Side Panel		2A2117G02	1	1	1	1	1	1	1	1	1
4	Front Insulation		215731G02	1	1	1	1	1	1	1	1	1
5	Top Insulation		215730G01	1	1	1	1	1	1	1	1	1
6	Control Box Cover		3A2371-01	1	1	1	1	1	1	1	1	1
7	Junction Box Cover		433410-01	1	1	1	1	1	1	1	1	1
8	Louver		1A0547-01	2	2	2	2	2	2	2	2	2
8a	Push Retainer		4A2414-01	6	6	6	6	6	6	6	6	6
9	Air Filter		2A2062G01	2	2	2	2	2	2	2	2	2
10	Gasket	L=554 mm	4A0808L02	1	1	1	1	1	1	1	1	1
11	Strap		435487-01	1	1	1	-					
12	Bulb Holder		3A3903-01	1	-	1	-					
	Mechanical Bin Switch Mount		3A6040-01		1	-	1	1	1	1	1	1
12a	Thumbscrew		415949G10	9	8	9	8	6	6	6	6	6
13	Mechanical Bin Control		2A4393G01		1	-	1	1	1	1	1	1
14	Main Transformer		4A0817-01									1
15	Voltage Tap Switch		4A1477-01									1
Refrigeration Circuit												
16	Compressor	RS55C2E-CAV	4A4072-01	1	1	1	1	1	-			
		RST61C1E-CAV	4A5079-01						1	1	1	
17	Condenser		2A3853-01	1	1	1	1	1	-			
			2A5870-01					1	1	1	1	
18	Evaporator		106396G01	1	1	1	1	1	1	1	1	1
19	Thermostatic Expansion Valve		4A1482-01	1	1	1	1	1	1	1	1	1
20	Thermostatic Expansion Valve Cover		3A0944-01	1	1	1	1	1	1	1	1	1
21	Thermostatic Expansion Valve Bulb Holder		3A0107-01	1	1	1	1	1	1	1	1	1
22	Hot Gas Valve Body		4A3978-01	1	1	1	1	1	1	1	1	1
23	Valve Coil		4A3277-01	1	1	1	1	1	1	1	1	1
24	Thermistor		429006-03	1	1	1	1	1	1	1	1	1
25	Thermistor Holder		427430-01	1	1	1	1	1	1	1	1	1
26	Strainer		441569-02	1	1	1	1	1	1	1	1	1
27	Heat Exchanger		2A3850G01	1	1	1	1	1	-			
			2A5448G02						1	1	1	
28	Fan Motor		4A3158-01	1	1	1	1	1	1	1	1	1
29	Fan Blade		4A3959-01	1	1	1	1	1	1	1	1	1
30	Drier		4A2666-01	1	1	1	1	1	1	1	1	1
31	High-Pressure Switch		433441-07	1	1	-						
			463180-04			1	1	1	1	1	1	1

A. Main Assembly & Refrigeration Circuit

KM-650MWH

R-0 to E-0

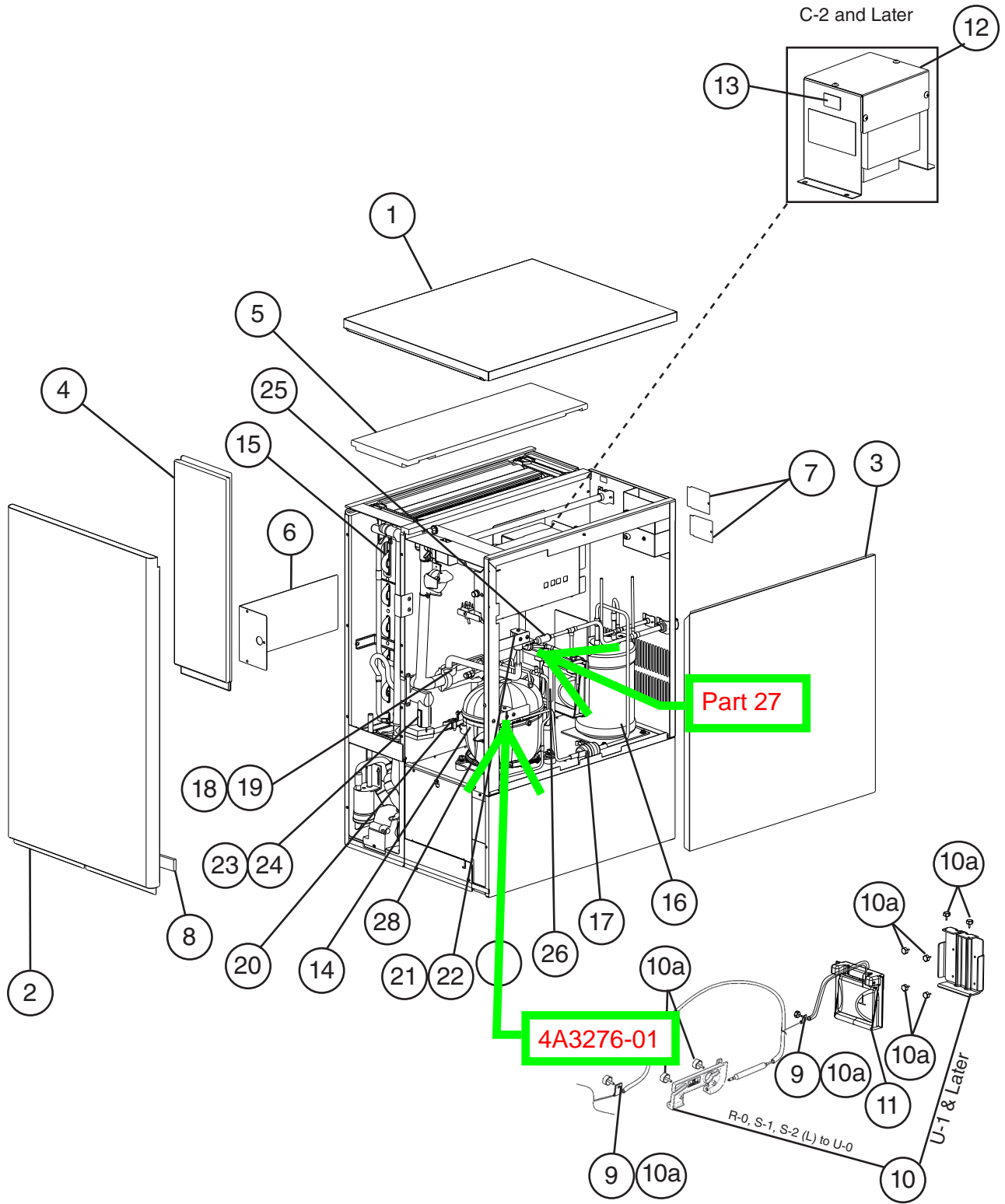


Title: A. Main Assembly & Refrigeration Circuit Model: KM-650MWH											
Index No.	Description	Material or Model Number	Part Number	Required Number							
				R-0 to U-0	U-1 to V-1	V-2 to C-1	C-2	D-1 E-0			
Main Assembly											
1	Top Panel		3A3878A01	1	1	1	1	1			
2	Front Panel		2A2253G01	1	1	-					
			3A5997G01			1	1	1			
3	Right Side Panel		2A2117G02	1	1	1	1	1			
4	Front Insulation		215731G02	1	1	1	1	1			
5	Top Insulation		215730G01	1	1	1	1	1			
6	Control Box Cover		3A2371-01	1	1	1	1	1			
7	Junction Box Cover		433410-01	1	1	1	1	1			
8	Gasket	L=554 mm	4A0808L02	1	1	1	1	1			
9	Strap		435487-01	1	1	-					
10	Bulb Holder		3A3903-01	1	-						
	Mechanical Bin Control Switch Mount		3A6040-01		1	1	1	1			
10a	Thumbscrew		415949G10	9	8	6	6	6			
11	Mechanical Bin Control		2A4393G01		1	1	1	1			
12	Main Transformer		4A0817-01					1			
13	Voltage Tap Switch		4A1477-01					1			
Refrigeration Circuit											
14	Compressor	RS55C2ECAV	4A4072-01	1	1	-					
		RST61C1E-CAV	4A5079-01			1	1	1			
15	Condenser	HS-0161	2A2359G02	1	1	1	-				
			3A7322-01				1	1			
16	Water Regulator		4A0911-07	1	1	1	1	1			
17	Evaporator		106396G01	1	1	1	1	1			
18	Thermostatic Expansion Valve		4A1482-01	1	1	1	1	1			
19	Thermostatic Expansion Valve Cover		3A0944-01	1	1	1	1	1			
20	Thermostatic Expansion Valve Bulb Holder		3A0107-01	1	1	1	1	1			
21	Hot Gas Valve Body		4A3978-01	1	1	1	1	1			
22	Valve Coil		4A3277-01	1	1	1	1	1			
23	Thermistor		429006-03	1	1	1	1	1			
24	Thermistor Holder		427430-01	1	1	1	1	1			
25	Strainer		441569-02	1	1	1	1	1			
26	Drier		4A2666-01	1	1	1	1	1			
27	Heat Exchanger		2A3850G02	1	1	-					
			2A5448G02			1	1	1			
28	High-Pressure Switch		433441-05	1	-						
			463180-05		1	1	1	1			

A. Main Assembly & Refrigeration Circuit

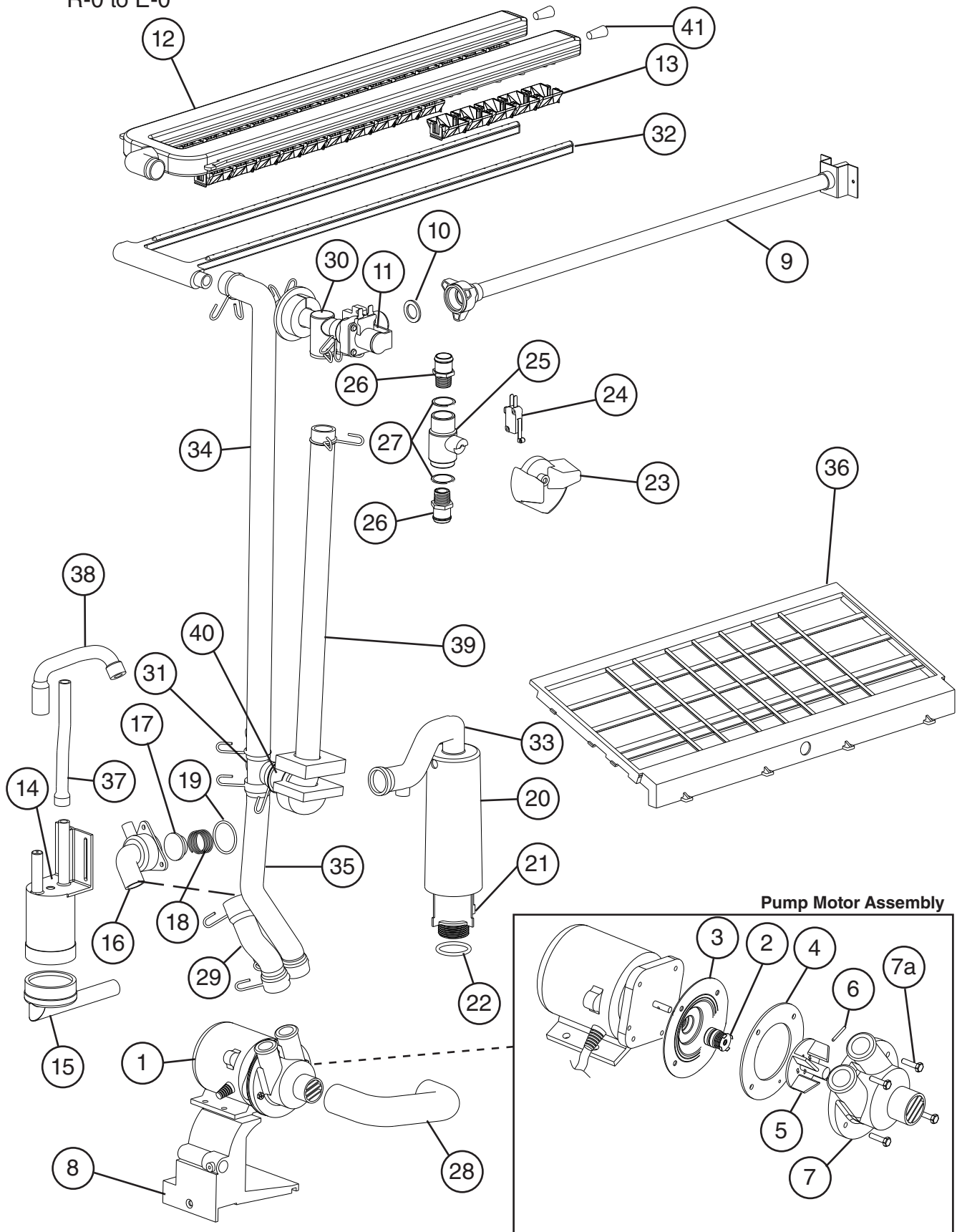
KM-650MRH

R-0 to E-0



Title: A. Main Assembly & Refrigeration Circuit Model: KM-650MRH												
Index No.	Description	Material or Model Number	Part Number	Required Number								
				R-0 to U-0	U-1	U-2 (G-H)	U-2 (J-L)	U-2 (M) to V-1	V-2 to C-1	C-2 E-0		
Main Assembly												
1	Top Panel		3A3878A01	1	1	1	1	1	1	1		
2	Front Panel		2A2253G01	1	1	1	1	1	-			
			3A5997G01						1	1		
3	Right Side Panel		2A2117G02	1	1	1	1	1	1	1		
4	Front Insulation		215731G02	1	1	1	1	1	1	1		
5	Top Insulation		215730G01	1	1	1	1	1	1	1		
6	Control Box Cover		3A2371-01	1	1	1	1	1	1	1		
7	Junction Box Cover		433410-01	2	2	2	2	2	2	2		
8	Gasket	L=554 mm	4A0808L02	1	1	1	1	1	1	1		
9	Strap		435487-01	1	1	1	1	-				
10	Bulb Holder		3A3903-01	1	-							
	Mechanical Bin Control Switch Mount		3A6040-01		1	1	1	1	1	1		
10a	Thumbscrew		415949G10	1	7	7	7	6	6	6		
11	Mechanical Bin Control		2A4393G01		1	1	1	1	1	1		
12	Main Transformer		4A0817-01							1		
13	Voltage Tap Switch		4A1477-01							1		
Refrigeration Circuit												
14	Compressor	RS55C2E-CAV	4A4072-01	1	1	1	1	1	-			
		RST61C1E-CAV	4A5079-01						1	1		
15	Evaporator		106396G01	1	1	1	1	1	1	1		
16	Receiver Tank		437652-01	1	1	1	1	1	1	1		
17	Drier		4A2666-01	1	1	1	1	1	1	1		
18	Thermostatic Expansion Valve		4A1482-01	1	1	1	1	1	1	1		
19	Thermostatic Expansion Valve Cover		3A0944-01	1	1	1	1	1	1	1		
20	Thermostatic Expansion Valve Bulb Holder		3A0107-01	1	1	1	1	1	1	1		
21	Hot Gas Valve Body		4A3978-01	1	1	1	1	1	1	1		
22	Valve Coil		4A3277-01	2	2	2	2	2	2	2		
23	Thermistor		429006-03	1	1	1	1	1	1	1		
24	Thermistor Holder		427430-01	1	1	1	1	1	1	1		
25	Strainer		441569-02	1	1	1	1	1	1	1		
26	Heat Exchanger		2A3850G03	1	1	1	1	1	-			
			2A5448G02						1	1		
27	High-Pressure Switch		433441-07	1	1	-						
			463180-04			1	1	1	1	1		
28	Crankcase Heater		4A5397-02	1	1	1	1	1	-			
			4A5091-01						1	1		
Liquid Line Valve Body			4A3276-01	1	1	1	1	1	1	1		

B. Water Circuit
KM-650M_H
 R-0 to E-0

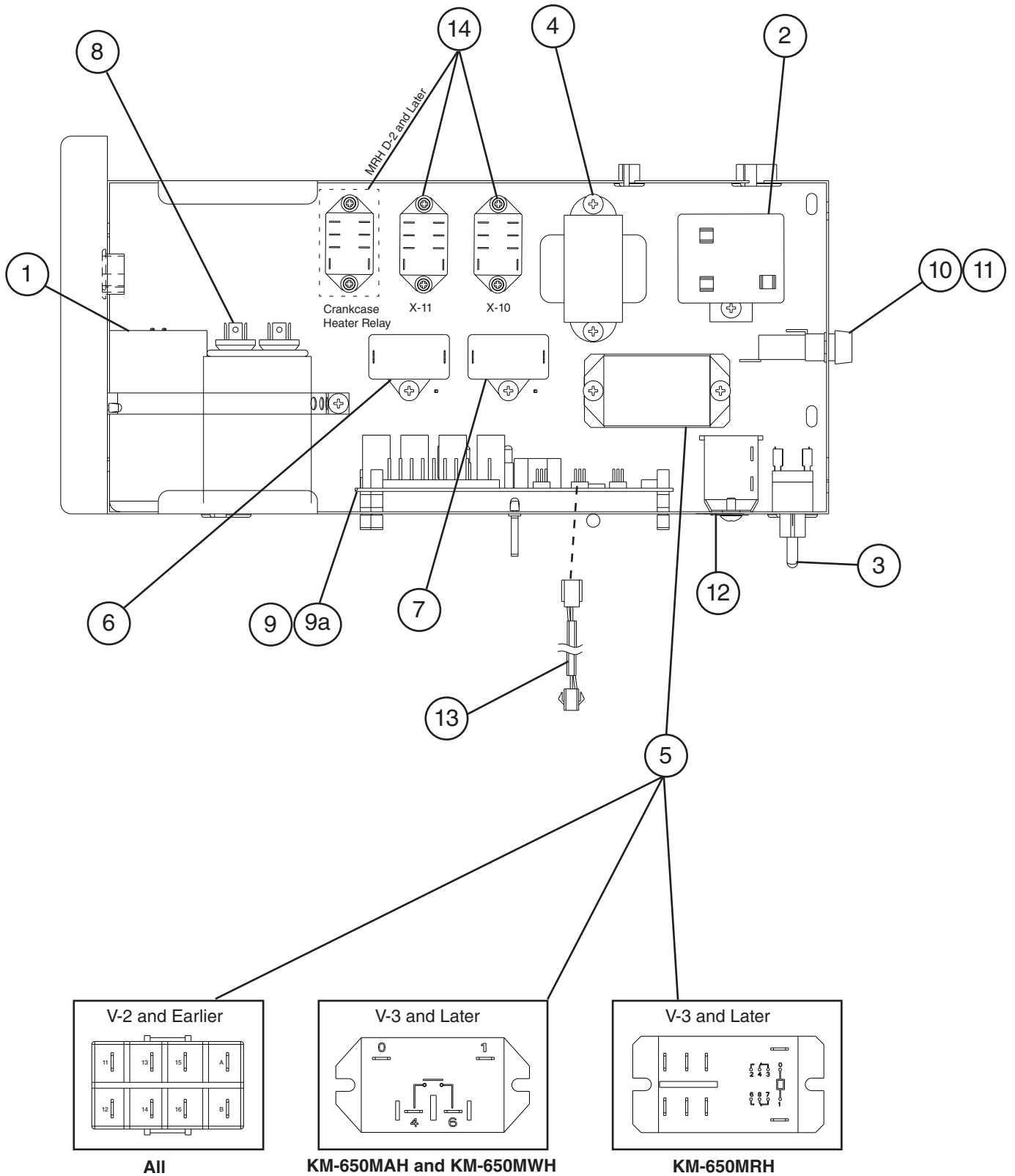


Title: B. Water Circuit Model: KM-650M_H											
Index No.	Description	Material or Model Number	Part Number	Required Number							
				R-0 to V-1	V-2 to E-0						
1	Pump Motor Assembly	PA0613	3A2638A03	1	1						
2	Mechanical Seal		465627-01	1	1						
3	Pump Flange		3A2988-01	1	1						
4	Pump Gasket		4A2974-01	1	1						
5	Impeller		433522-01	1	1						
6	Pin		4A0648-01	1	1						
7	Pump Housing		211409-01	1	1						
7a	Screw		4A3871-01	4	4						
8	Pump Motor Bracket		211408-01	1	1						
9	Water Supply Pipe		4A5216G04	1	1						
10	Rubber Gasket		413854-03	1	1						
11	Inlet Water Valve		3U0111-03	1	-						
			3U0111-02		1						
12	Spray Tube		1A0260-02	1	1						
13	Spray Guide (A)		208586-01	6	6						
14	Float Switch		4A3624-01	1	1						
15	Float Switch Connector		426799-01	1	1						
16	Drain Valve Housing		321001-01	1	1						
17	Drain Valve Seat		433705-01	1	1						
18	Drain Valve Spring		322110-01	1	1						
19	Drain Valve O-ring		7611-G035	1	1						
20	Overflow Cap		321002-01	1	1						
21	Overflow Pipe		430722-01	1	1						
22	O-Ring		4A1234-01	1	1						
23	Cleaning Valve Handle		215383-01	1	1						
24	Cleaning Valve Microswitch		4A2546-01	1	1						
25	Cleaning Valve Ball Valve		439293-01	1	1						
26	Cleaning Valve Male Adaptor		325826-01	2	2						
27	Cleaning Valve O-Ring		7611-P018	2	-	Use thread sealant tape					
28	Suction Hose		433466-01	1	1						
29	Vinyl Hose	L=110 mm	7716-2025	1	1						
30	Distributor A (Tee)		4A0177-01	1	1						
31	Distributor (Tee)		432426-01	1	1						
32	Water Supply Tube		2A0079-01	1	1						
33	Drain Hose		433468-01	1	1						
34	Rubber Hose (A)		4A1551-01	1	1						
35	Vinyl Hose	L=250 mm	7716-2025	1	1						
36	Cube Guide		212088-01	1	1						
37	Silicone Hose	L=140 mm	773013812	1	1						
38	Silicone Hose	L=140 mm	773013896	1	1						
39	Rubber Hose (B)		4A1551-02	1	1						
40	Rubber Ring		439236-01	1	1						
41	Plug		4A0176-01	2	2						
Hose Clamps											
	Hose Clamp	18 mm	427443-05	1	1						
	Hose Clamp	25 mm	427443-03	9	9						
	Hose Clamp	20 mm	427443-06	1	1						

C. Control Box Assembly

KM-650M_H

R-0 to E-0

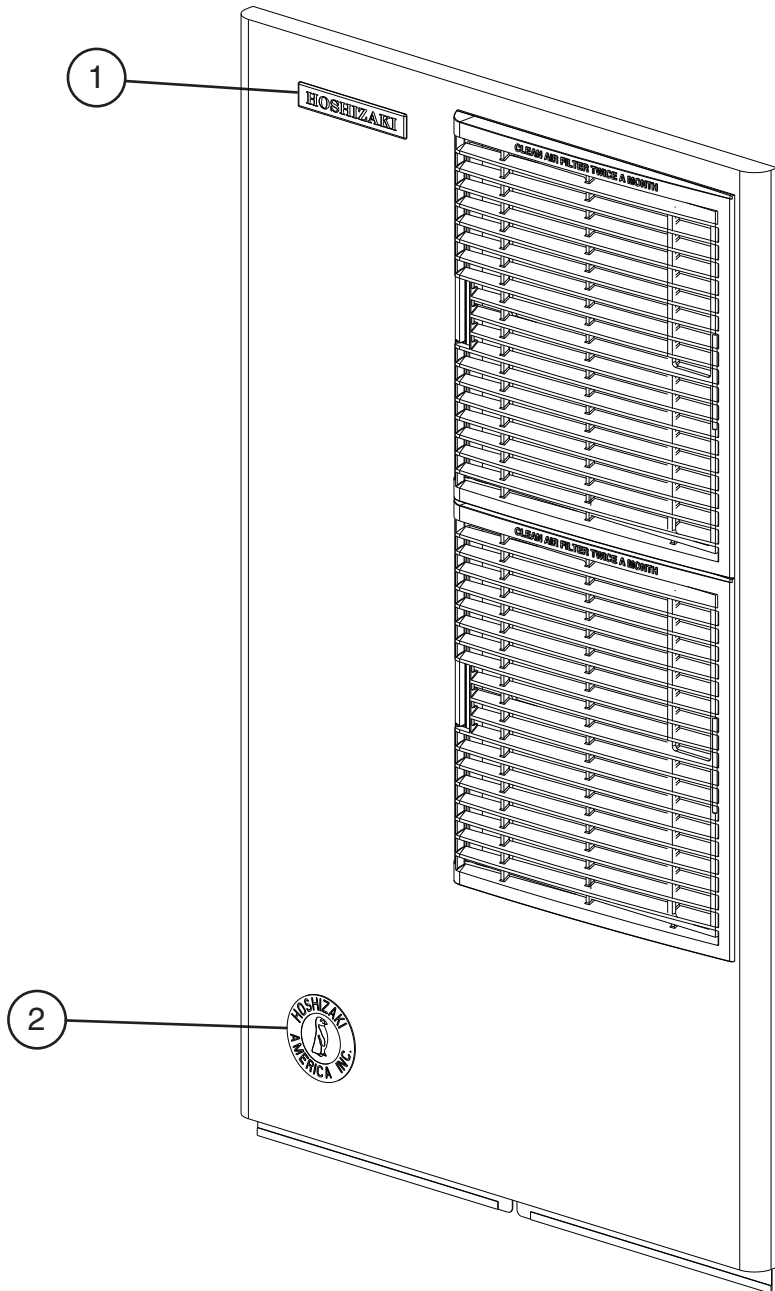


Title: C. Control Box Assembly Model: KM-650M H												
Index No.	Description	Material or Model Number	Part Number	Required Number								
				R-0 S-1	S-2 (E)	S-2 (L) to U-0	U-1 to V-1	V-2	V-3 to A-1	B-0 to D-1	D-2 to E-0	
1	Start Capacitor	175-216MFD, 330VAC	3A0076-19	1	1	1	1	-				
		72-86MFD, 330VAC	3A1414-01					1	1	1	1	
2	Start/Relay		4A1107-12	1	1	1	1	-				
			4A1107-19					1	1	1	1	
3	Toggle Switch		443119-01	1	1	1	1	1	1	1	1	
4	Control Transformer		3A0172-01	1	1	1	1	1	1	1	1	
5	Magnetic Contactor		428393-01	1	1	1	1	1	-			
	Compressor Relay	KM-650MAH KM-650MWH	4A3140-01							1	1	1
		KM-650MRH	4A5096-01							1	1	-
			4A3140-01								1	
6	Pump Motor Capacitor	5.5MFD, 250VAC	443192-03	1	1	1	1	1	1	1	1	1
7	Fan Motor Capacitor	KM-650MAH 5.0MFD, 250VAC	443192-02	1	1	1	1	1	1	1	1	1
8	Run Capacitor	25MFD, 370VAC	3A2005-06	1	1	1	1	-				
		17.5MFD, 440VAC	3A2005-16						1	1	1	1
9	"E" Control Board		2A1410-01	1	-	1	-					
	"G" Control Board		2A3792-01		1	-	1	1	1	1	1	1
9a	Control Board Support		4A0336-03	4	4	4	4	4	4	4	4	4
10	Fuse Holder		4A3449-01	1	1	1	1	1	1	-		
			4A5443-01								1	1
11	Fuse	AGC10A, 250VAC	4A0893-07	1	1	1	1	1	1	1	1	
12	Bin Control Thermostat		4A2879-01	1	-	1	-					
13	Bin Control Wire Harness	L=90 mm	4A2200G04		1	-	1	1	1	1	1	1
14	Relay (X-10, X-11, and Crankcase Heater)	KM-650MAH KM-650MWH	406132-07						2	2	2	2
		KM-650MRH						2	2	2	3	

D. Accessories & Labels

KM-650M_H

R-0 to E-0



Title: D. Accessories & Labels Model: KM-650M_H					Required Number							
Index No.	Description	Material or Model Number	Part Number	R-0 to E-0								
1	Hoshizaki Emblem Label		4A0560-01	1								
2	Penguin Label		4A0526-01	1								
3	Universal Brace		4A0363-01	2								
3a	Hex Bolt	5x12, SS	7B02-0512	2								