

EFFECTIVE: SEP. 29, 1986
REVISED : JAN. 17, 1989
FINAL

PARTS LIST

MODULAR CRESCENT

MODEL KM-631 SERIES

TYPE	E-1	DEC. 1985
	F-1	MAR. 1986
	F-2	MAY 1986
	G-0 (DWU, DSU)	DEC. 1986
	G-1 (DU)	DEC. 1986
	H-1	DEC. 1987

HA



HOSHIZAKI
HOSHIZAKI ELECTRIC CO., LTD.

TOYOAKE, AICHI, JAPAN
PHONE: 0562-97-2111
TELEX-NO: 04486-514 HOSHI J

PRINTED IN JAPAN

Materials Abbreviations

PLASTIC

ABS = Acrylonitrile-butadiene-styrene
AC = Acetal copolymer
= Acetal
= Polyacetal
EVA = Ethylene vinyl acetate
PA = Polyamide = Nylon
PC = Polycarbonate
PE = Polyethylene
PES = Polyester
PETP = Polyethylene terephthalate = Tetlon
PP = Polypropyleneoride
PS = Polystyrene
PTFE = Polytetrafluoroethylene = Teflon
PUR = Polyurethane
PVC = Plyvinyl chloride

RUBBER

EPDM = EP rubber
NBR = Nitrile butadiene rubber
NR = Natural rubber
SI.R = Silicone rubber
Sy.R = Synthetic rubber

STEEL

G.S = Galvanized steel
S.S = Stainless steel

Auxiliary Code

Ex.1 G-0
— The parts are unchanged after the preceding year.
"G" is the seventh in alphabetical order. So, "G" shows "1987".

Ex.2 H-1
— "H" is the eighth in alphabetical order. So, "H" shows "1988".

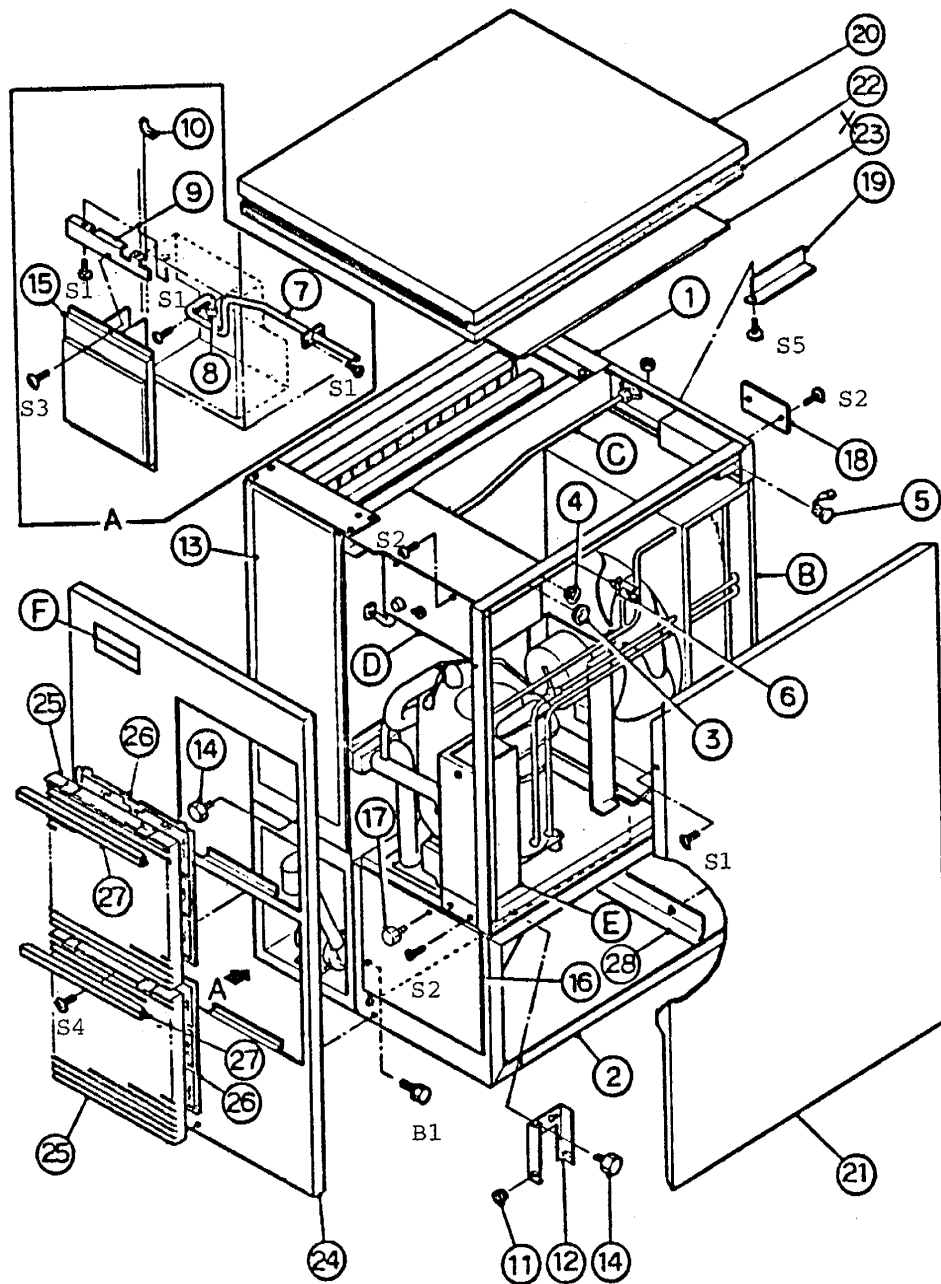
Ex.3 H-2
— Every time the parts are changed in a year, this number increases.

[Note]

— = Parts was erased.

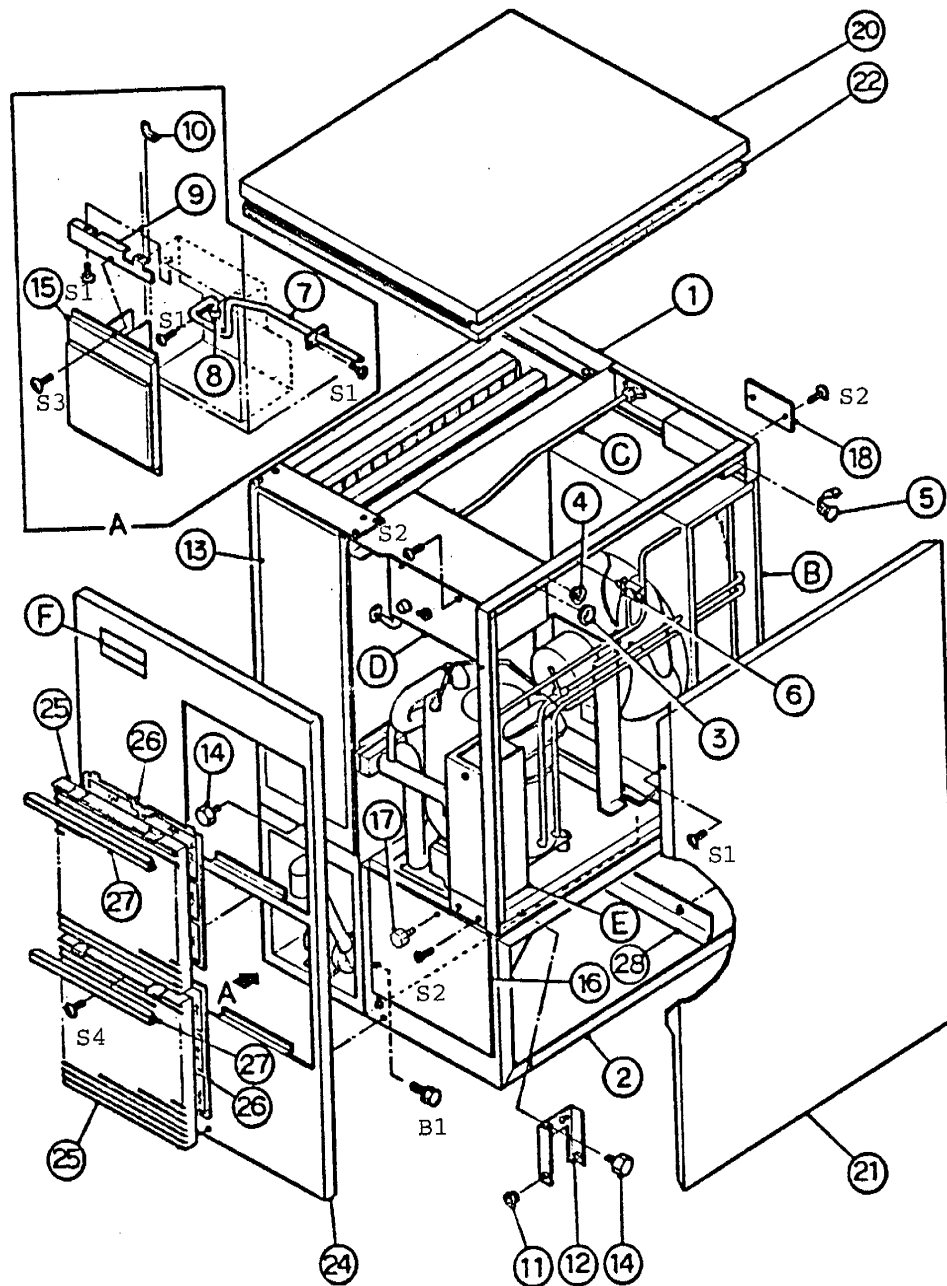
X = Parts was erased. (Interchangeable)

○ = New parts for " X " in the same Auxiliary Code.



FASTENER

- S1 - TRUSS HEAD TAPPING SCREW, STAINLESS, M4x8
- S2 - TRUSS HEAD TAPPING SCREW, M4x8
- S3 - TRUSS HEAD MACHINE SCREW, STAINLESS, M4x6
- S4 - TRUSS HEAD MACHINE SCREW, STAINLESS, M4x8
- S5 - TRUSS HEAD MACHINE SCREW, M4x8
- B1 - HEXAGON BOLT AND SPRINGWASHER + PLAIN WASHER ASSY, STAINLESS, M6x16



FASTENER

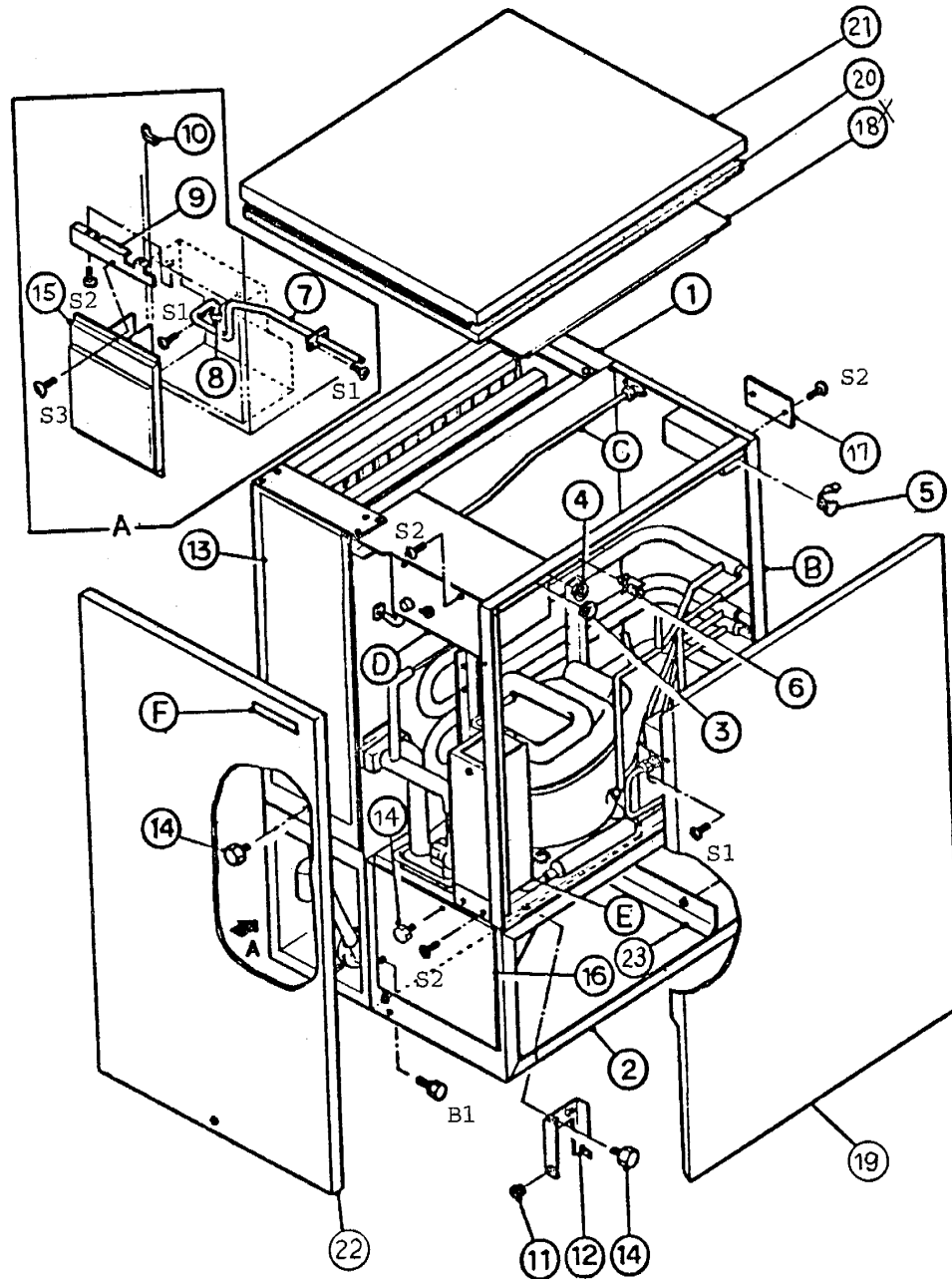
- S1 - TRUSS HEAD TAPPING SCREW, STAINLESS, M4x8
- S2 - TRUSS HEAD TAPPING SCREW, M4x8
- S3 - TRUSS HEAD MACHINE SCREW, STAINLESS, M4x6
- S4 - TRUSS HEAD MACHINE SCREW, STAINLESS, M4x8
- B1 - HEXAGON BOLT AND SPRING WASHER + PLAIN WASHER ASSY, STIANLESS, M6x16

MODEL		TITLE		REQ'D NUMBER				
KM-631DU		A. ICE CUBER ASSEMBLY						
INDEX NO.	DESCRIPTION	MATERIAL OR MODEL NUMBER	PART NUMBER	REQ'D NUMBER				
				E-1	F-1	F-2	G-1	H-1
B	REFRIGERATION UNIT	-	103310A02	1	1	1	-	
			103312A03				1	1
C	WATER CIRCUIT ASSEMBLY	-	103307A02	1	-			
			103823A01		1	1	1	1
D	CONTROL BOX ASSEMBLY	-	208703A01	1	1	-		
			210641A02			1	1	1
E	CONTROLLER BOX ASSEMBLY	-	316912A02	1	1	1	-	
			316912A01				1	1
F	LABEL LOCATION	-	316973A01	1	1	1	1	1
1	Evaporator Case - Interior	-	103647G01	1	-			
			103821G01		1	1	1	1
2	Frame - Base	G.S	426962G01	1	1	1	1	1
3	Bushing	SB-1093-15	427470-03	1	1	1	1	1
4	Bushing	SB-750-10	427470-05	1	1	1	1	1
5	Bushing	SB-30-1	427472-03	1	1	1	1	1
6	Wire Saddle	WS-2NS	7830-0002	1	1	1	-	
			420472-02				1	1
7	Conduit	Copper	427003G01	1	1	1	1	1
8	Clamp	NK-6N	413314-06	1	1	1	1	1
9	Guard	S.S	426917-01	1	1	1	1	1
10	Bushing	KG-012	414116-28	1	1	1	1	1
11	Bushing - Capillary Tube	EPDM	425307-01	3	3	3	3	3
12	Bracket - Bulb	S.S	426920-01	1	1	1	1	1
13	Insulation (Front)	ABS	316846G01	1	1	1	1	1
14	Thumbscrew	S.S, ABS	415949G01	2	2	2	2	2
15	Cover - Pump Motor	S.S	316891G01	1	1	1	1	1
16	Cover - Base	S.S	316999G01	1	1	1	1	1
17	Thumbscrew	S.S	425221-01	1	1	1	1	1
18	Cover - Junction Box	G.S	426922-01	1	1	1	1	1
19	Clearance Indicator	G.S	426921-01	1	1	1	-	
20	Top Panel	S.S	316894G01	1	1	1	1	1
21	Side Panel (Right)	S.S	208704G01	1	1	1	1	1

HA

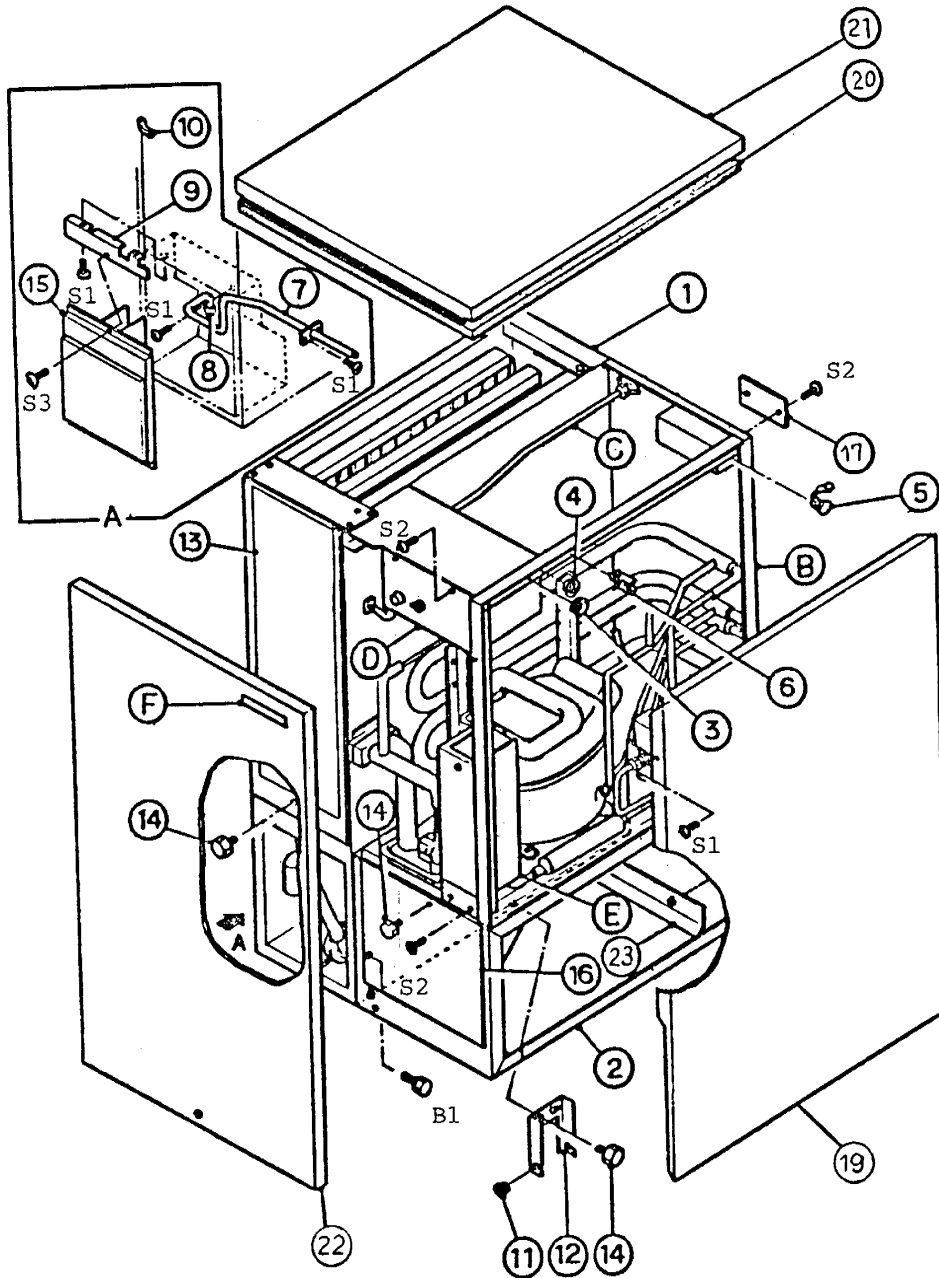
MODEL		TITLE						
KM-631DU		A. ICE CUBER ASSEMBLY						
INDEX NO.	DESCRIPTION	MATERIAL OR MODEL NUMBER	PART NUMBER	REQ'D NUMBER				
				E-1	F-1	F-2	G-1	H-1
22	Insulation - Top Panel	PUR	426923-01	1	1	1	1	1
23	Guard - Top Panel	G.S	316916-01	1	1	X		
24	Front Panel	S.S	316932-01	1	1	1	1	-
			316932-02					1
25	Louver	ABS	103121-01	2	2	2	2	2
26	Air Filter	ABS	208283G01	2	2	2	2	2
27	Cover - Louver	ABS	316079-01	2	2	2	2	2
28	Air Guide	S.S	427834-01	1	1	1	1	1

E



FASTENER

- S1 - TRUSS HEAD TAPPING SCREW, STAINLESS, M4x8
- S2 - TRUSS HEAD TAPPING SCREW, M4x8
- S3 - TRUSS HEAD MACHINE SCREW, STAINLESS, M4x6
- B1 - HEXAGON BOLT AND SPRING WASHER + PLAIN WASHER ASSY, STAINLESS, M6x16



FASTENER

- S1 - TRUSS HEAD TAPPING SCREW, STAINLESS, M4x8
- S2 - TRUSS HEAD TAPPING SCREW, M4x8
- S3 - TRUSS HEAD MACHINE SCREW, STAINLESS, M4x6
- B1 - HEXAGON BOLT, AND SPRING WASHER + PLAIN WASHER ASSY, STAINLESS, M6x16

HA

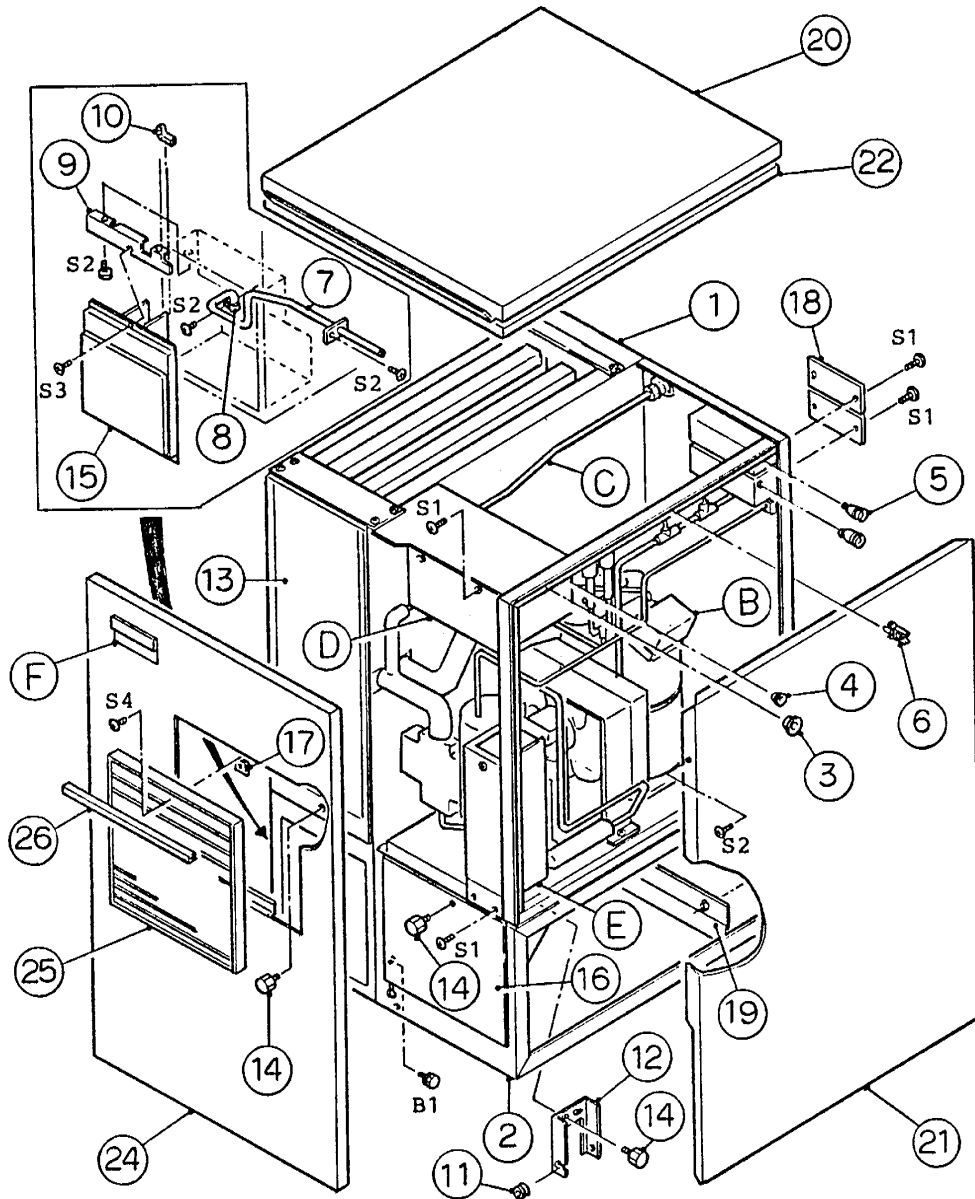
MODEL		TITLE		REQ'D NUMBER				
KM-631DWU		A. ICE CUBER ASSEMBLY		E-1	F-1	F-2	G-0	H-1
INDEX NO.	DESCRIPTION	MATERIAL OR MODEL NUMBER	PART NUMBER	E-1	F-1	F-2	G-0	H-1
B	REFRIGERATION UNIT	-	103313A02	1	1	1	1	1
C	WATER CIRCUIT ASSEMBLY	-	103307A02	1	-			
			103823A01		1	1	1	1
D	CONTROL BOX ASSEMBLY	-	208703A01	1	1	-		
			210641A02			1	1	1
E	CONTROLLER BOX ASSEMBLY	-	316912A01	1	1	1	1	1
F	LABEL LOCATION	-	316974A01	1	1	1	1	1
1	Evaporator Case - Interior	-	103647G01	1	-			
			103821G01		1	1	1	1
2	Frame - Base	G.S	426962G01	1	1	1	1	1
3	Bushing	SB-1093-15	427470-03	1	1	1	1	1
4	Bushing	SB-750-10	427470-05	1	1	1	1	1
5	Bushing	SB-30-1	427472-03	1	1	1	1	1
6	Wire Saddle	WS-2NS	7830-0002	2	2	-		
			427007-02			2	2	2
7	Conduit	Copper	427008G01	1	1	1	1	1
8	Clamp	NK-6N	418814-06	1	1	1	1	1
9	Guard	S.S	426917-01	1	1	1	1	1
10	Bushing	KG-012	414116-28	1	1	1	1	1
11	Bushing - Capillary Tube	EPDM	425307-01	1	1	1	1	1
12	Bracket - Bulb	S.S	426920-01	1	1	1	1	1
13	Insulation (Front)	ABS	316846G01	1	1	1	1	1
14	Thumbscrew	S.S, ABS	415949G01	3	3	3	3	3
15	Cover - Pump Motor	S.S	316891G01	1	1	1	1	1
16	Cover - Base	S.S	316999G01	1	1	1	1	1
17	Cover - Junction Box	G.S	426922-01	1	1	1	1	1
18	Guard - Top Panel	G.S	316916-01	1	1	X		
19	Side Panel (Right)	S.S	208704G01	1	1	1	1	1
20	Insulation - Top Panel	PUR	426923-01	1	1	1	1	1
21	Top Panel	S.S	316894G01	1	1	1	1	1

E

HA

MODEL		TITLE						
KM-631DWU		A. ICE CUBER ASSEMBLY						
INDEX NO.	DESCRIPTION	MATERIAL OR MODEL NUMBER	PART NUMBER	REQ'D NUMBER				
				E-1	F-1	F-2	G-0	H-1
22	Front Panel	S.S	316915-01	1	1	X		
			316916-02			①	1	1
23	Air Guide	S.S	427834-01	1	1	1	1	1

E



FASTENER

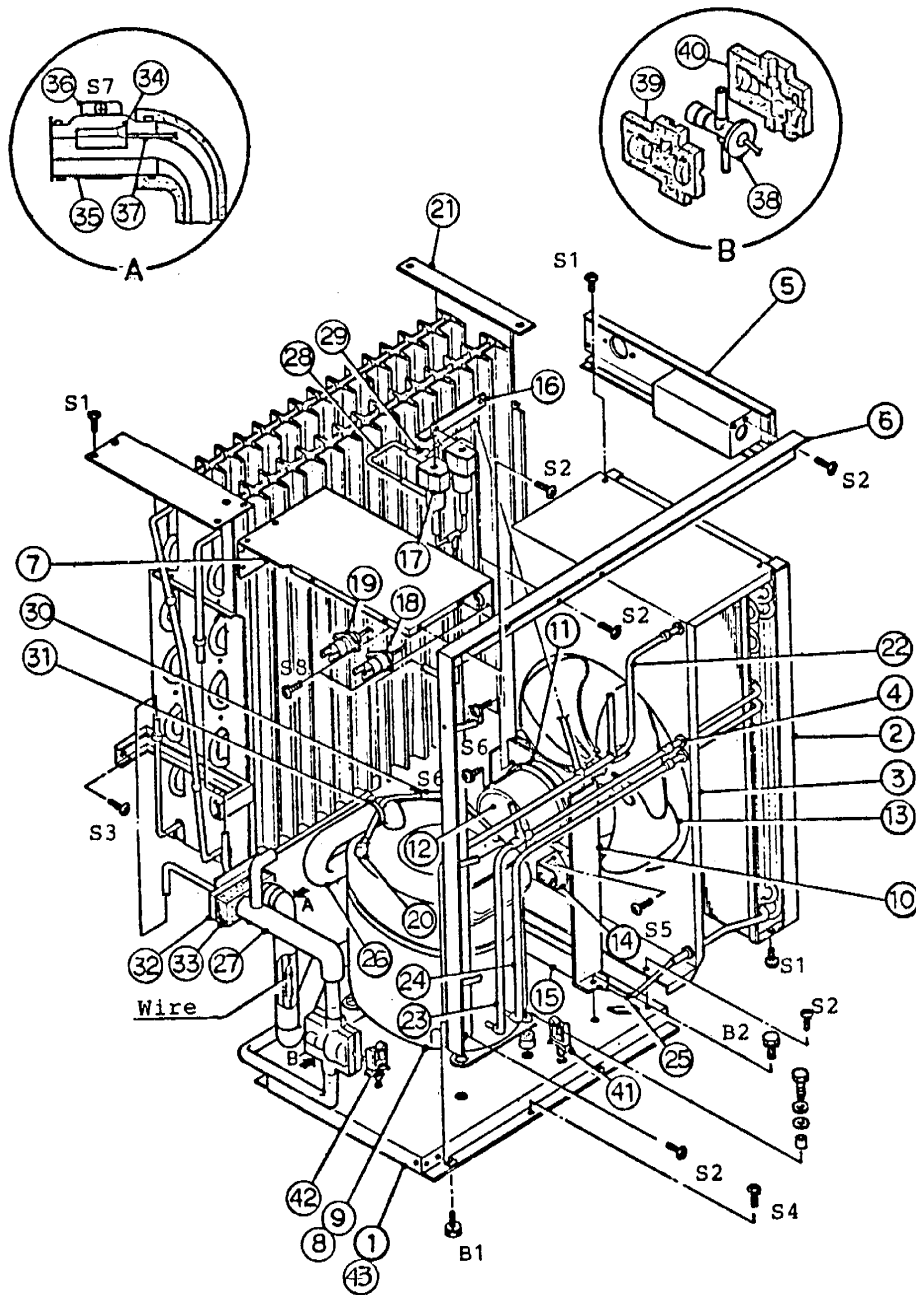
- S1 - TRUSS HEAD TAPPING SCREW, M4x8
- S2 - TRUSS HEAD TAPPING SCREW, STAINLESS, M4x8
- S3 - TRUSS HEAD MACHINE SCREW, STAINLESS, M4x6
- S4 - TRUSS HEAD MACHINE SCREW, STAINLESS, M4x8
- B1 - HEXAGON BOLT AND SPRING WASHER + PLAIN WASHER ASSY, STAINLESS, M6x16

MODEL		TITLE						
KM-631DSU		A. ICE CUBER ASSEMBLY						
INDEX NO.	DESCRIPTION	MATERIAL OR MODEL NUMBER	PART NUMBER	REQ'D NUMBER				
				E-1	F-1	F-2	G-0	H-1
B	REFRIGERATION UNIT	-	103643A01	1	1	1	1	1
C	WATER CIRCUIT ASSEMBLY	-	103307A02	1	-	-	-	-
			103823A01		1	1	1	1
D	CONTROL BOX ASSEMBLY	-	209822A01	1	1	-	-	-
			210641A01			1	1	1
E	CONTROLLER BOX ASSEMBLY	-	316912A02	1	1	⊗	-	-
			316912A01			①	1	1
F	LABEL LOCATION	-	318675A01	1	1	1	1	1
1	Evaporator Case - Interior	-	103647G01	1	-	-	-	-
			103821G01		1	1	1	1
2	Frame - Base	G.S	426962G03	1	1	1	1	1
3	Bushing	SB-1093-15	427470-03	1	1	1	1	1
4	Bushing	SB-750-10	427470-05	1	1	1	1	1
5	Bushing	SB-30-1	427472-03	2	2	2	2	2
6	Wire Saddle	WS-2NS	7830-0002	2	2	⊗	-	-
			427007-02			②	2	2
7	Conduit	Copper	427008G01	1	1	1	1	1
8	Clamp	NK-6N	418814-06	1	1	1	1	1
9	Guard	S.S	426917-01	1	1	1	1	1
10	Bushing	KG-012	414116-28	1	1	1	1	1
11	Bushing - Capillary Tube	EPDM	425307-01	3	3	3	3	3
12	Bracket - Bulb	S.S	426920-01	1	1	1	1	1
13	Insulation (Front)	ABS	316846G01	1	1	1	1	1
14	Thumbscrew	S.S, ABS	415949G01	2	2	2	2	2
15	Cover - Pump Motor	S.S	316891G01	1	1	1	1	1
16	Cover - Base	S.S	316999G01	1	1	1	1	1
17	Nut	S.S	7GU2-A400	1	1	1	1	1
18	Cover - Junction Box	G.S	426922-01	2	2	2	2	2
19	Guide	S.S	427834-01	1	1	1	1	1
20	Top Panel	S.S	316894G01	1	1	1	1	1
21	Side Panel (Right)	S.S	208704G01	1	1	1	1	1

HA

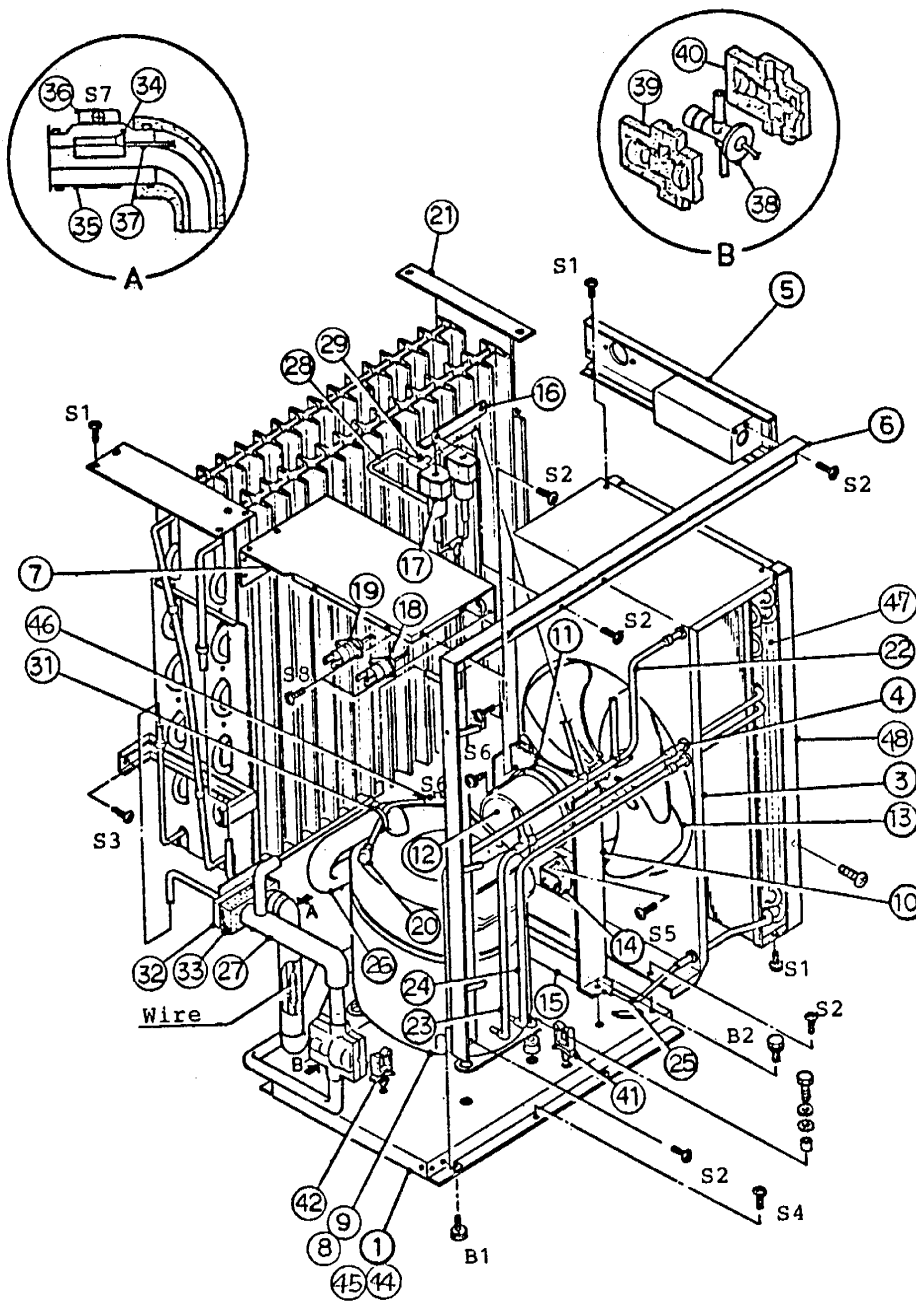
MODEL		TITLE						
KM-631DSU		A. ICE CUBER ASSEMBLY						
INDEX NO.	DESCRIPTION	MATERIAL OR MODEL NUMBER	PART NUMBER	REQ'D NUMBER				
				E-1	F-1	F-2	G-0	H-1
22	Insulation - Top Panel	PUR	426923-01	1	1	1	1	1
23	Guard - Top Panel	G.S	316916-01	1	1	X		
24	Front Panel	S.S	318676-01	1	1	X		
			318676-02			①	1	1
25	Louver	ABS	103121-01	1	1	1	1	1
26	Cover - Louver	ABS	316079-01	1	1	1	1	1

E



FASTENER

- S1 - TRUSS HEAD TAPPING SCREW, STAINLESS, M4x8
- S2 - TRUSS HEAD TAPPING SCREW, M4x8
- S3 - TRUSS HEAD MACHINE SCREW, STAINLESS, M4x8
- S4 - TRUSS HEAD MACHINE SCREW, STAINLESS, M4x6
- S5 - TRUSS HEAD MACHINE SCREW, M4x8
- S6 - PAN HEAD SCREW AND SPRING WASHER + PLAIN WASHER ASSY, M4x12
- S7 - TRUSS HEAD MACHINE SCREW, STAINLESS, M4x12
- S8 - TRUSS HEAD MACHINES CREW, M3x8
- B1 - HEXAGON BOLT AND SPRING WASHER + PLAIN WASHER ASSY, STAINLESS, M6x12
- B2 - HEXAGON BOLT AND SPRING WASHER + PLAIN WASHER ASSY, M5x12

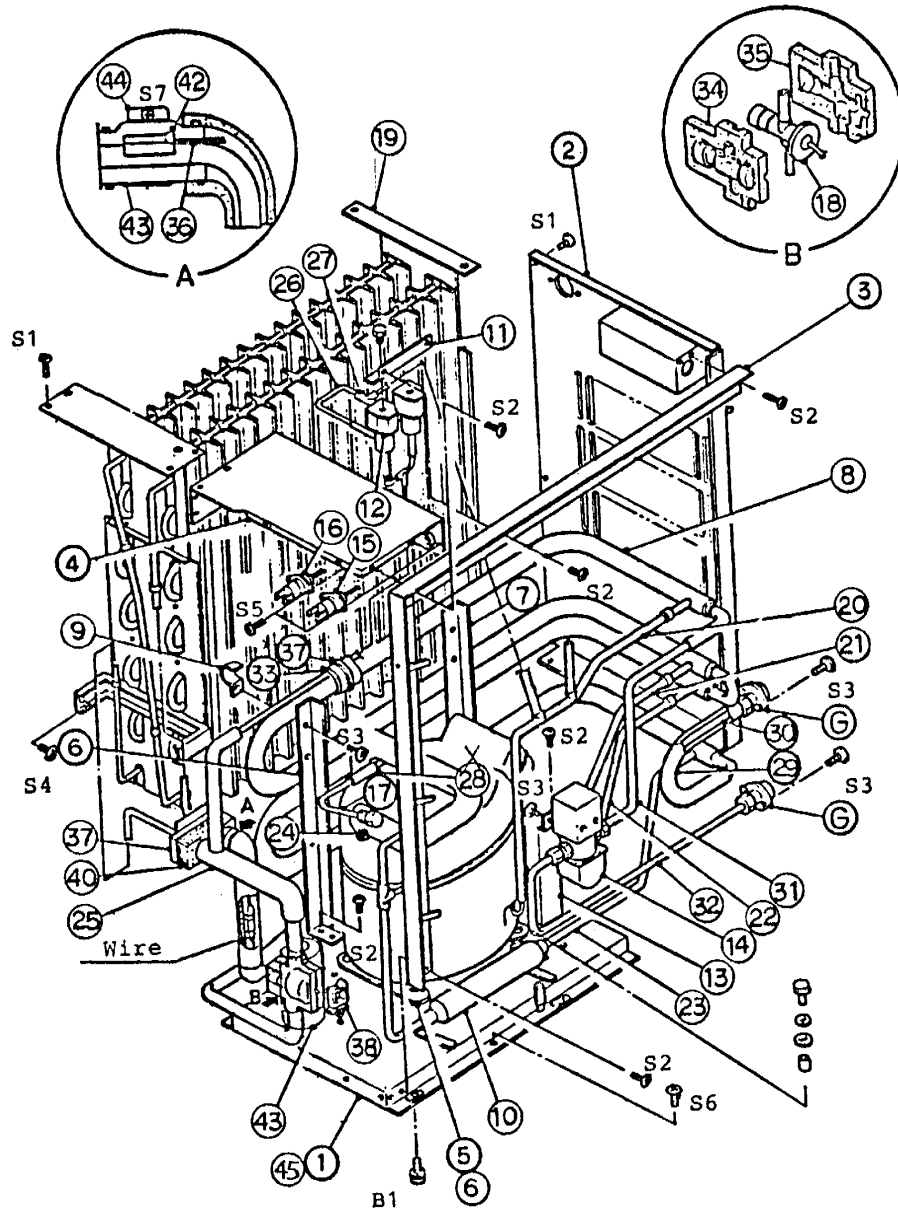


FASTENER

- S1 - TRUSS HEAD TAPPING SCREW, STAINLESS, M4x8
- S2 - TRUSS HEAD TAPPING SCREW, M4x8
- S3 - TRUSS HEAD MACHINE SCREW, STAINLESS, M4x8
- S4 - TRUSS HEAD MACHINE SCREW, STAINLESS, M4x6
- S5 - TRUSS HEAD MACHINE SCREW, M4x8
- S6 - PAN HEAD SCREW AND SPRING WASHER + PLAIN WASHER ASSY, M4x12
- S7 - TRUSS HEAD MACHINE SCREW, STAINLESS, M4x12
- S8 - TRUSS HEAD MACHINE SCREW, M3x8
- S9 - TRUSS HEAD TAPPING SCREW, M4x6
- B1 - HEXAGON BOLT AND SPRING WASHER + PLAIN WASHER ASSY, STIANLESS, M6x12
- B2 - HEXAGON BOLT AND SPRING WASHER + PLAIN WASHER ASSY, M5x12

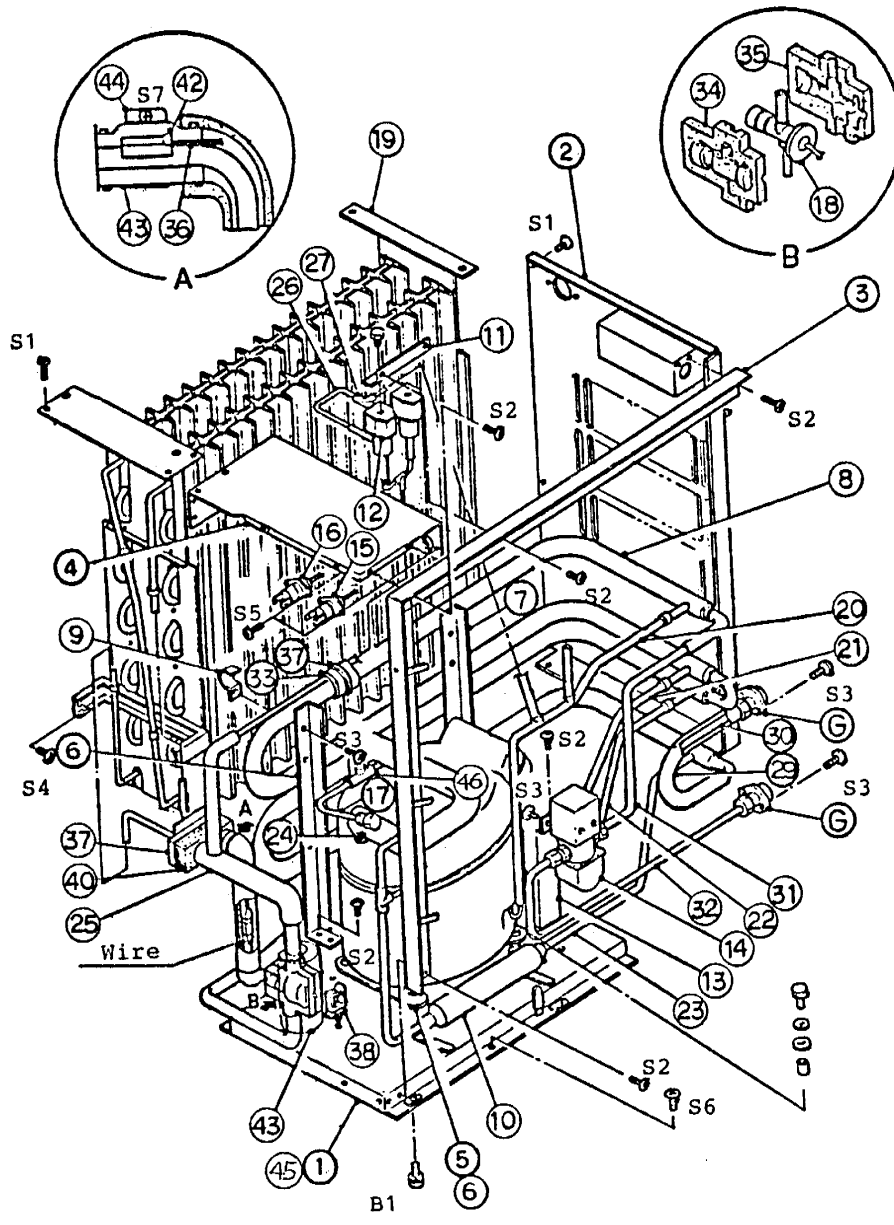
MODEL		TITLE			REQ'D NUMBER				
KM-631DU		B. REFRIGERATION UNIT							
INDEX NO.	DESCRIPTION	MATERIAL OR MODEL NUMBER	PART NUMBER	REQ'D NUMBER					
				E-1	F-1	F-2	G-1	H-1	
1	Chassis	G.S	316961G01	1	1	1	1	1	
2	Condenser - Air-cooled	-	426961G01	1	1	1	-		
3	Shroud	S.S	316933-01	1	1	1	1	1	
4	Bushing	SI	413855-02	4	4	4	4	4	
5	Junction Box	G.S	316887G02	1	1	1	1	1	
6	Frame (A)	G.S	316928G03	1	1	1	1	1	
7	Frame (B)	G.S	316888G01	1	1	1	1	1	
8	Compressor	KL100D-3	2U0043-01	1	1	1	1	1	
9	Overload	MSH16AIU	429382-01	1	1	1	1	1	
10	Bracket - Fan Motor	G.S	316930-01	1	1	1	1	1	
11	Bracket - Fan Motor	G.S	426932-01	1	1	1	1	1	
12	Fan Motor	IJ30104	2U0064-01	1	1	1	-		
		EP-TZ56	2U0090-01				1	1	
13	Fan Blade	300mm	427075-01	1	1	1	-		
		PW-30PHR	421462-01				1	1	
14	Capacitor - Fan Motor	6 μ D, 220V	427076-01	1	1	1	-		
			431928-01				1	1	
15	Drier	KC-6749	427061-01	1	1	1	1	1	
16	Bracket - Hot Gas Valve	S.S	426983-01	1	1	1	1	1	
17	Hot Gas Valve	ABS-25-1-HD-2	3U0033-01	2	2	2	2	2	
18	Pressure Switch	PS-7 CUT OFF 25K	3U0069-01	1	1	1	1	1	
19	Pressure Switch	PS-7 CUT OFF 7K	3U0069-02	1	1	1	1	1	
20	Access Valve	TCJ-2F15-HD	417366-01	1	1	1	1	1	
21	Evaporator Assy	-	103316G01	1	1	1	1	1	
22	Pipe - High side	Copper	317357G01	1	1	1	1	1	
23	Pipe - High side	Copper	317358G01	1	1	1	1	1	
24	Pipe - High side	Copper	317359-01	1	1	1	1	1	
25	Pipe - High side	Copper	427588-01	1	1	1	1	1	
26	Heat Exchanger	Copper	317361G01	1	1	1	1	1	
27	Pipe - Low Side	Copper	317360G01	1	1	1	1	1	
28	Pipe - Hot Gas	Copper	427590-01	1	1	1	1	1	
29	Tee	Copper	420041-03	1	1	1	1	1	

MODEL		TITLE						
KM-631DU		B. REFRIGERATION UNIT						
INDEX NO.	DESCRIPTION	MATERIAL OR MODEL NUMBER	PART NUMBER	REQ'D NUMBER				
				E-1	F-1	F-2	G-1	H-1
30	Pipe	Copper	427591-01	1	1	1	1	1
31	Tie	CV-150	7920-0003	1	1	1	1	1
32	Seal	EPDM	426867-01	14	14	14	14	14
33	Insulation - Seal	PE	427437-01	1	1	1	1	1
34	Holder - Thermistor	Copper	427430-01	1	1	1	1	1
35	Clamp	PE	427441-01	1	1	1	1	1
36	Bracket - Thermistor	S.S	427431-01	1	1	1	1	1
37	Thermistor	-	427062-01	1	1	1	1	1
38	Expansion Valve	ABE-R10-HD-1	427063-01	1	1	1	1	1
39	Cover (A) - Expansion Valve	PE	317257-01	1	1	1	1	1
40	Cover (B) - Expansion Valve	PE	317257-02	1	1	1	1	1
41	Wire Saddle	LWS-4NA	7830-0007	1	1	1	-	
		LWS-4NS	428060-01				1	1
42	Wire Saddle	LWS-2NA	7830-0002	1	1	1	-	
		WS-2NS	427007-02				1	1
43	Insulation	PE	431151-01		1	1	-	
44	Insulation (B)	-	431151-02				2	2
45	Insulation (C)	-	431151-03					1
46	Tee	Copper	431620-01					1
47	Condenser - Air-cooled	(426961A01)	316844-01					1
48	Cover	G.S	426904-01					1



FASTENER

- S1 - TRUSS HEAD TAPPING SCREW, STAINLESS, M4x8
- S2 - TRUSS HEAD TAPPING SCREW, M4x8
- S3 - TRUSS HEAD MACHINE SCREW, M4x8
- S4 - TRUSS HEAD MACHINE SCREW, STAINLESS, M4x8
- S5 - TRUSS HEAD TAPPING SCREW, M3x8
- S6 - TRUSS HEAD MACINES SCREW, STAINLESS, M4x6
- S7 - TRUSS HEAD AMCHINE SCREW, STAINLESS, M4x12
- B1 - HEXAGON BOLT AND SPRING WASHER + PLAIN WASHER ASSY, STAINLESS, M6x12

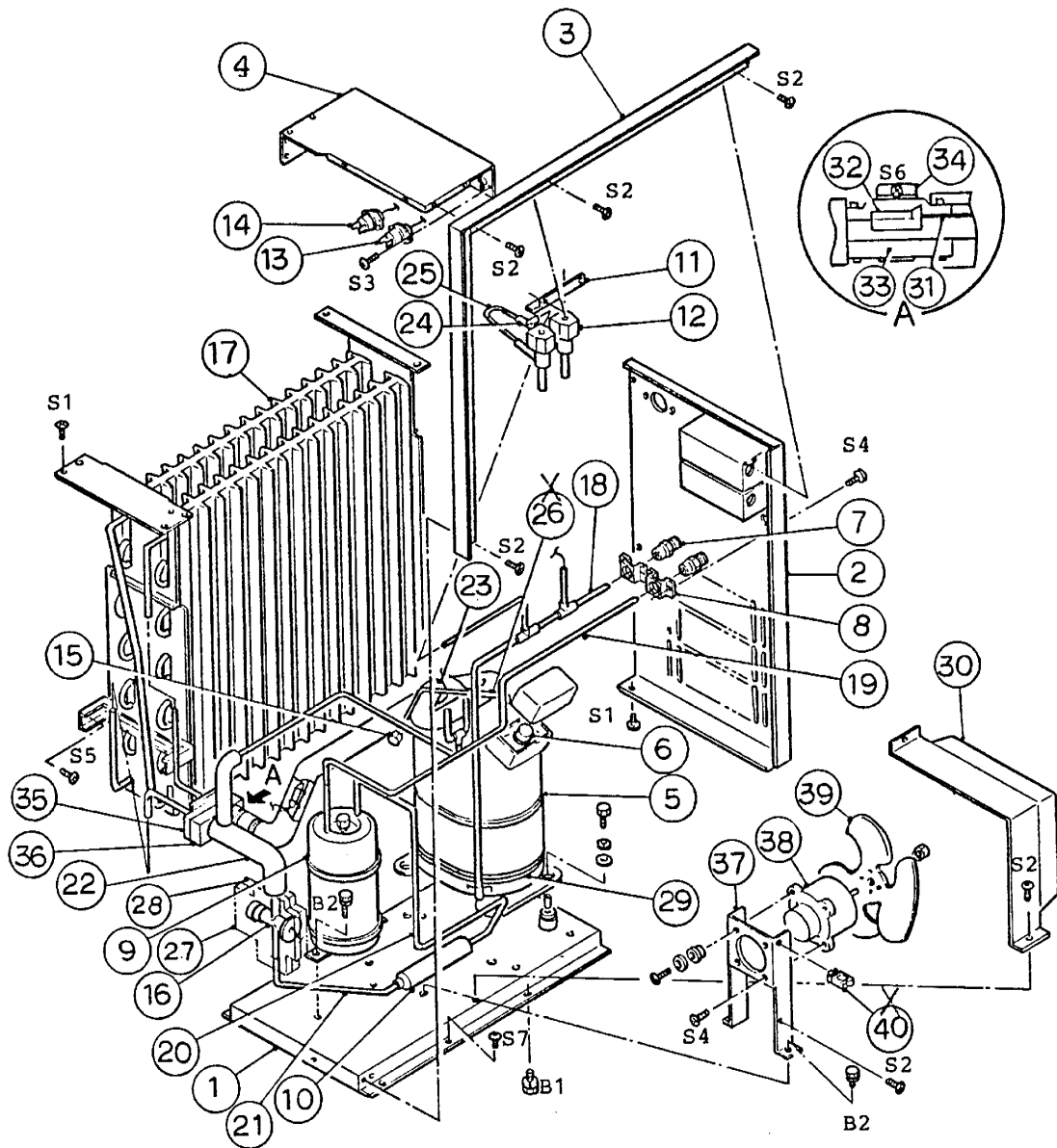


FASTENER

- S1 - TRUSS HEAD TAPPING SCREW, STAINLESS, M4x8
- S2 - TRUSS HEAD TAPPING SCREW, M4x8
- S3 - TRUSS HEAD MACHINE SCREW, M4x8
- S4 - TRUSS HEAD MACHINE SCREW, STAINLESS, M4x8
- S5 - TRUSS HEAD TAPPING SCREW, M3x8
- S6 - TRUSS HEAD MACHINE SCREW, STAINLESS, M4x6
- S7 - TRUSS HEAD MACHINE SCREW, STAINLESS, M4x12
- S8 - HEXAGON BOLT AND SPRING WASHER + PLAIN WASHER ASSY, STAINLESS, M6x12

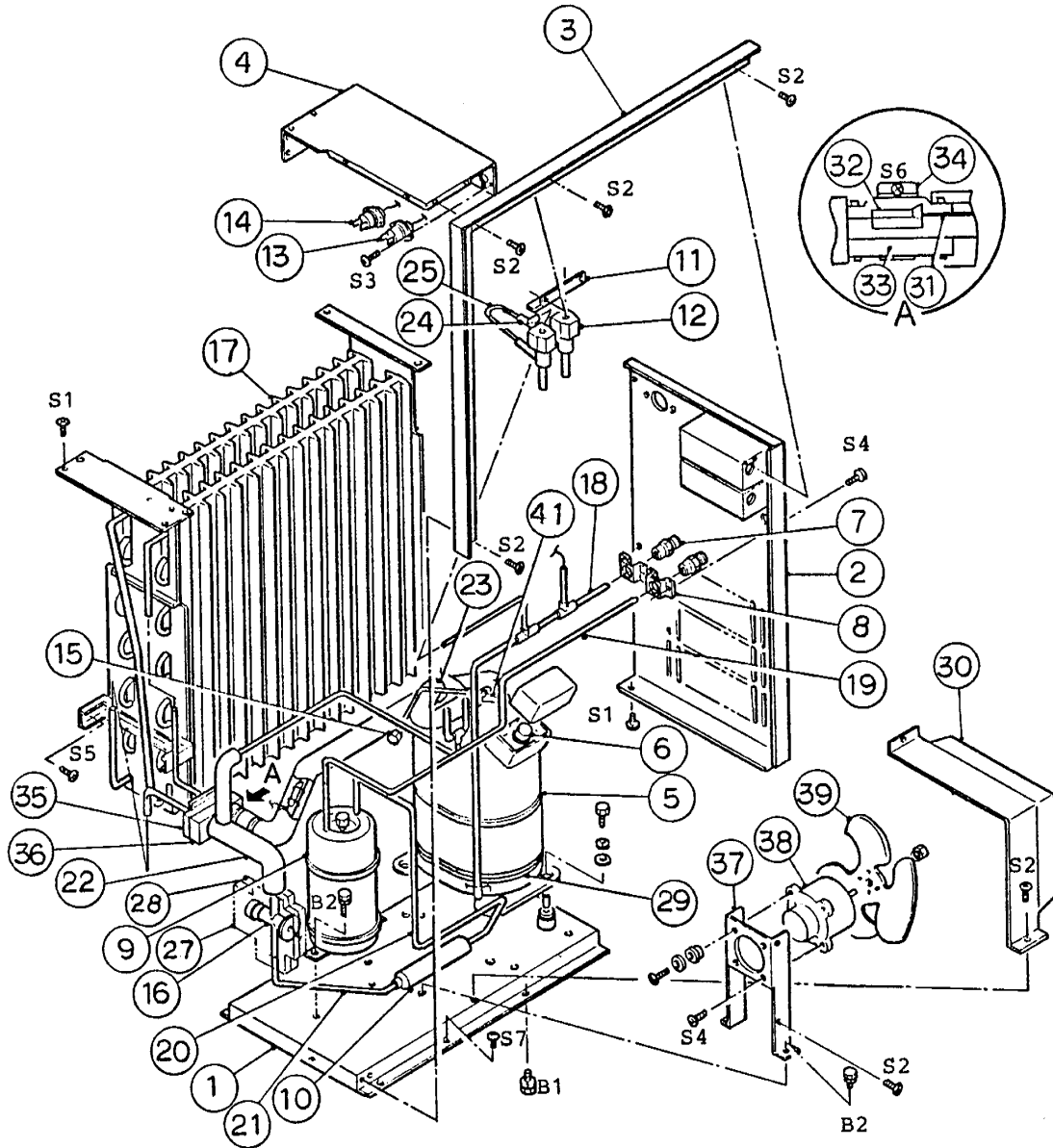
MODEL		TITLE						
KM-631DWU		B. REFRIGERATION UNIT						
INDEX NO.	DESCRIPTION	MATERIAL OR MODEL NUMBER	PART NUMBER	REQ'D NUMBER				
				E-1	F-1	F-2	G-0	H-1
G	FITTING (P) ASSEMBLY	(S-0351)	311425A01	2	2	2	2	2
1	Chassis	G.S	316960G01	1	1	1	1	1
2	Rear Panel	G.S	316917G02	1	1	1	1	1
3	Frame (A)	G.S	316928G04	1	X			
			316928G03		①	1	1	1
4	Frame (B)	G.S	316888G01	1	1	1	1	1
5	Compressor	KL100TD-3	2U0043-01	1	1	1	1	1
6	Overload	MSH16AIU	429382-01	1	1	1	1	1
7	Bracket - Condenser	G.S	426984-01	2	2	2	2	2
8	Condenser - Water-cooled	(S-0427)	103314G01	1	1	1	1	1
9	Bracket - Condenser	G.S	426950-01	5	5	5	5	5
10	Drier	KC-6749	427061-01	1	1	1	1	1
11	Bracket - Hot Gas Valve	S.S	426983-01	1	1	1	1	1
12	Hot Gas Valve	ABS-25-1-HD-2	3U0033-01	2	2	2	2	2
13	Bracket - Water Regulator	G.S	427012-01	1	1	1	1	1
14	Water Regulator	WV II -33RHD	415425-01	1	1	1	1	1
15	Pressure Switch	PS-7 CUT OFF 25K	3U0069-01	1	1	1	1	1
16	Pressure Switch	PS-7 CUT OFF 7K	3U0069-02	1	1	1	1	1
17	Access Valve	TCJ-2F15-HD	417366-01	1	1	1	1	1
18	Expansion Valve	ABE-R-HD-1	427063-01	1	1	1	1	1
19	Evaporator Assembly	-	103316G01	1	1	1	1	1
20	Pipe - High Side	Copper	317440G01	1	1	1	1	1
21	Pipe - High Side	Copper	427703-01	1	1	1	1	1
22	Pipe - High Side	Copper	427703-02	1	1	1	1	1
23	Pipe - High Side	Copper	427704-01	1	1	1	1	1
24	Heat Exchanger	Copper	209051G01	1	1	1	1	1
25	Pipe - Low Side	Copper	317360G02	1	1	1	1	1
26	Pipe - Hot Gas	Copper	427590-01	1	1	1	1	1

MODEL		TITLE						
KM-631DWU		B. REFRIGERATION UNIT						
INDEX NO.	DESCRIPTION	MATERIAL OR MODEL NUMBER	PART NUMBER	REQ'D NUMBER				
				E-1	F-1	F-2	G-0	H-1
27	Tee	Copper	420041-03	1	1	1	1	1
28	Pipe	Copper	427591-01	1	1	X		
29	Insulation Tube	PE	103313-55	1	1	1	1	1
30	Pipe - Condenser	Copper	427705-01	1	1	1	1	1
31	Pipe - Condenser	Copper	427706-01	1	1	1	1	1
32	Pipe - Condenser	Copper	427707-01	1	1	1	1	1
33	Insulation Tube	PE	103313-59	1	1	1	1	1
34	Cover (A) - Expansion Valve	PE	317257-01	1	1	1	1	1
35	Cover (B) - Expansion Valve	PE	317257-02	1	1	1	1	1
36	Thermistor	-	427062-01	1	1	1	1	1
37	Seal	EPDM	426867-01	1	1	1	1	1
38	Wire Saddle	WS-2NS	7830-0002	1	1	-		
			427007-02			1	1	1
39	Tie	CV-150	7920-0003	17	17	17	17	17
40	Insulation - Seal	PE	427437-01	1	1	1	1	1
41	Insulation Tube	PE	103313-63	1	1	1	1	1
42	Holder - Thermistor	Copper	427430-01	1	1	1	1	1
43	Insulation - Thermistor	PE	427441-01	1	1	1	1	1
44	Bracket - Thermistor	S.S	427431-01	1	1	1	1	1
45	Insulation	PE	431151-01		1	1	1	1
46	Tee	Copper	431620-01			①	1	1



FASTENER

- S1 - TRUSS HEAD TAPPING SCREW, STAINLESS, M4x8
- S2 - TRUSS HEAD TAPPING SCREW, M4x8
- S3 - TRUSS HEAD TAPPING SCREW, M3x8
- S4 - TRUSS HEAD MACHINE SCREW, M4x8
- S5 - TRUSS HEAD MACHINE SCREW, STAINLESS, M4x8
- S6 - TRUSS HEAD MACHINE SCREW, STAINLESS, M4x12
- S7 - TRUSS HEAD MACHINE SCREW, STAINLESS, M4x6
- B1 - HEXAGON BOLT AND SPRING WASHER ASSY, STAINLESS, M6x12
- B2 - HEXAGON BOLT AND SPRING WASHER ASSY, M5x12

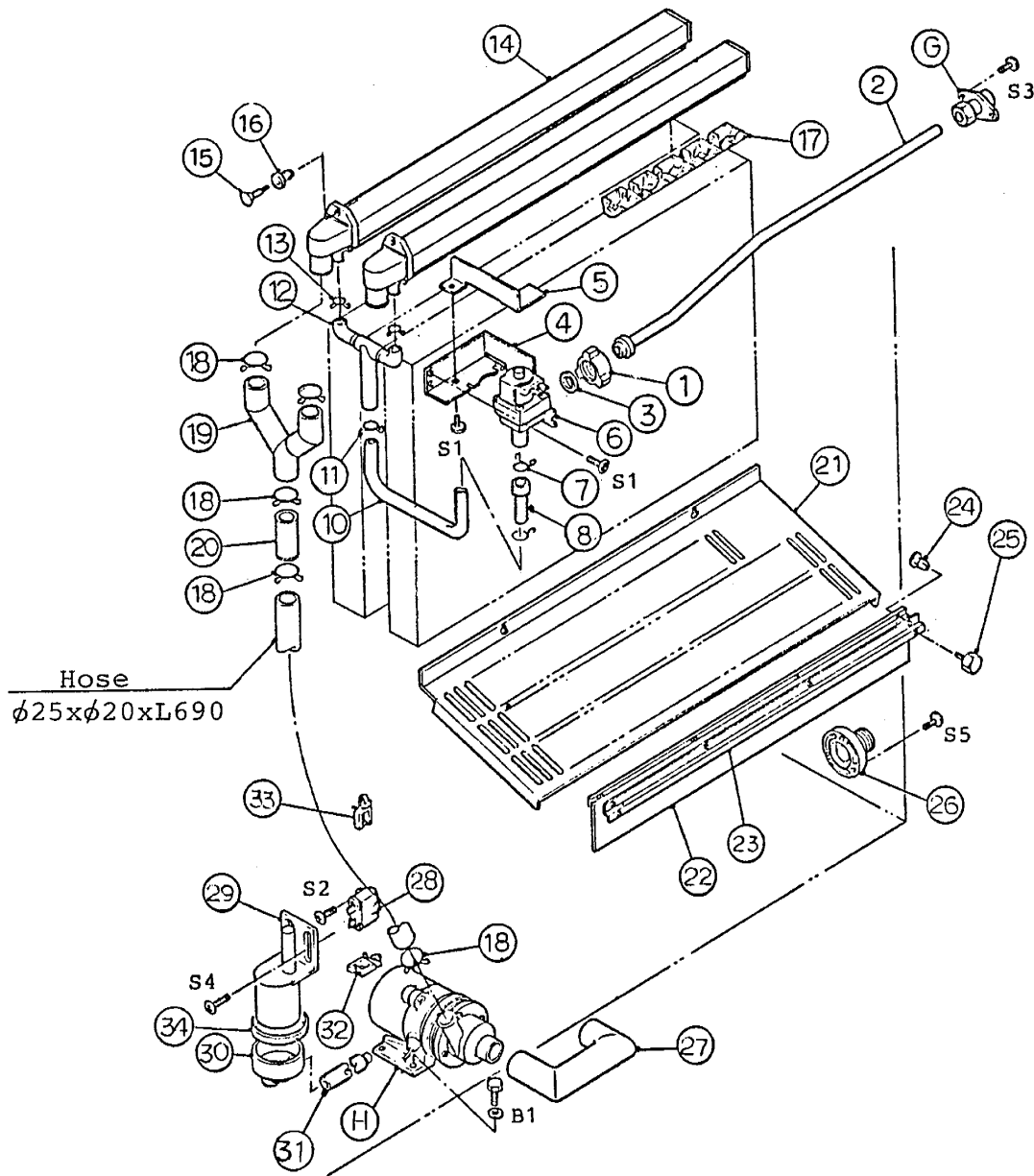


FASTENER

- S1 - TRUSS HEAD TAPPING SCREW, STAINLESS, M4x8
- S2 - TRUSS HEAD TAPPING SCREW, M4x8
- S3 - TRUSS HEAD TAPPING SCREW, M3x8
- S4 - TRUSS HEAD MACHINE SCREW, M4x8
- S5 - TRUSS HEAD MACHINE SCREW, STAINLESS, M4x8
- S6 - TRUSS HEAD MACHINE SCREW, STAINLESS, M4x12
- S7 - TRUSS HEAD MACHINE SCREW, STAINLESS, M4x6
- B1 - HEXAGON BOLT AND SPRING WASHER ASSY, STAINLESS, M6x12
- B2 - HEXAGON BOLT AND SPRING WASHER ASSY, M5x12

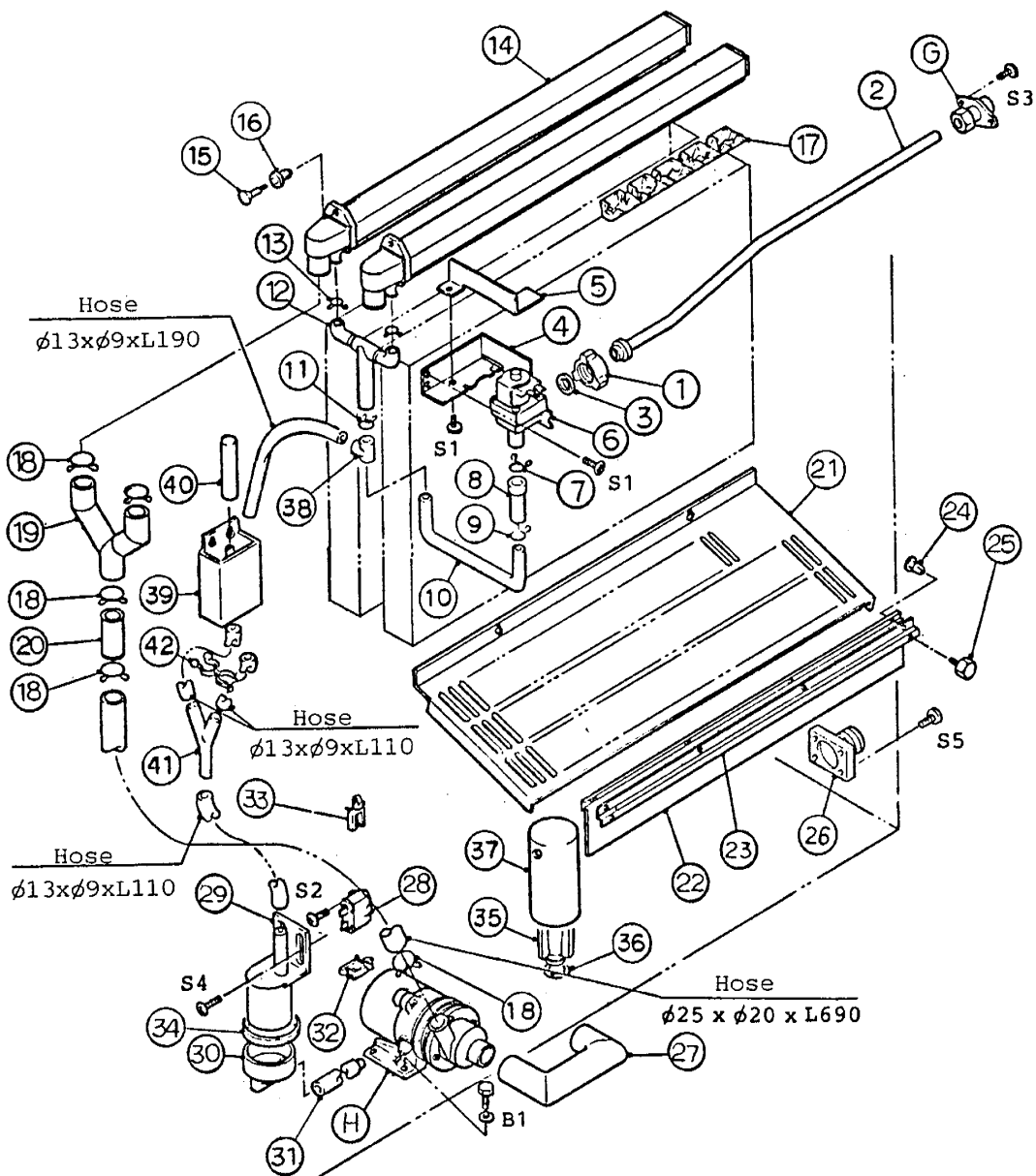
MODEL		TITLE						
KM-631DSU		B. REFRIGERATION UNIT						
INDEX NO.	DESCRIPTION	MATERIAL OR MODEL NUMBER	PART NUMBER	REQ'D NUMBER				
				E-1	F-1	F-2	G-0	H-1
1	Chassis	G.S	318654G01	1	1	1	1	1
2	Rear Panel	G.S	209815G01	1	1	1	1	1
3	Frame (A)	G.S	316928G03	1	1	1	1	1
4	Frame (B)	G.S	316888G01	1	1	1	1	1
5	Compressor	KL100TD-3	2U0043-01	1	1	1	1	1
6	Overload	MSH16AIU	429382-01	1	1	1	1	1
7	Coupling (Male)	5782-6-6	426554-01	2	2	2	2	2
8	Bracket	G.S	425507-01	2	2	2	2	2
9	Receiver Tank	RT-P-HD-4	429341-01	1	1	1	1	1
10	Drier	KC-6749	427061-01	1	1	1	1	1
11	Bracket - Hot Gas Valve	S.S	426983-01	1	1	1	1	1
12	Hot Gas Valve	ABS-25-1-HD-2	3U0033-01	2	2	2	2	2
13	Pressure Switch	PS-7 CUT OFF 25K	3U0069-01	1	1	1	1	1
14	Pressure Switch	PS-7 CUT OFF 7K	3U0069-02	1	1	1	1	1
15	Access Valve	TCJ-2F15-HD	417366-01	1	1	1	1	1
16	Expansion Valve	ABE-R-HD-1	427063-01	1	1	1	1	1
17	Evaporator Assembly	-	103316G01	1	1	1	1	1
18	Pipe - High Side	Copper	429340G01	1	1	1	1	1
19	Pipe - High Side	Copper	429339-01	1	1	1	1	1
20	Pipe - High Side	Copper	318671-01	1	1	1	1	1
21	Pipe - High Side	Copper	429338-01	1	1	1	1	1
22	Pipe - Low Side	Copper	317360G02	1	1	1	1	1
23	Pipe - Low Side	Copper	318670G01	1	1	1	1	1
24	Tee	Copper	420041-03	1	1	1	1	1
25	Pipe - Hot Gas	Copper	427590-01	1	1	1	1	1
26	Pipe	Copper	427591-01	1	1	X		

MODEL		TITLE						
KM-631DSU		B. REFRIGERATION UNIT						
INDEX NO.	DESCRIPTION	MATERIAL OR MODEL NUMBER	PART NUMBER	REQ'D NUMBER				
				E-1	F-1	F-2	G-0	H-1
27	Cover (A) - Expansion Valve	PE	317257-01	1	1	1	1	1
28	Cover (B) - Expansion Valve	PE	317257-02	1	1	1	1	1
29	Crankcase Heater	CH5700	425534-01	1	1	1	1	1
30	Cover - Fan Blade	G.S	319522-01	1	1	1	1	1
31	Thermistor	-	427062-01	1	1	1	1	1
32	Holder - Thermistor	Copper	427430-01	1	1	1	1	1
33	Insulation - Thermistor	PE	427441-01	1	1	1	1	1
34	Bracket - Thermistor	S.S	427431-01	1	1	1	1	1
35	Seal	EPDM	426867-01	1	1	1	1	1
36	Insulation - Seal	PE	427437-01	1	1	1	1	1
37	Bracket - Fan Motor	G.S	318656-01	1	1	1	1	1
38	Fan Motor	EK-TZ2(A)	2U0005-02	1	1	1	1	1
39	Fan Blade	230	414392-01	1	1	1	1	1
40	Wire Saddle	LWS-2NA	7830-0002	1	1	X		
41	Tee	Copper	431620-02			①	1	1
42	Insulation	PE	431152-01			1	1	1



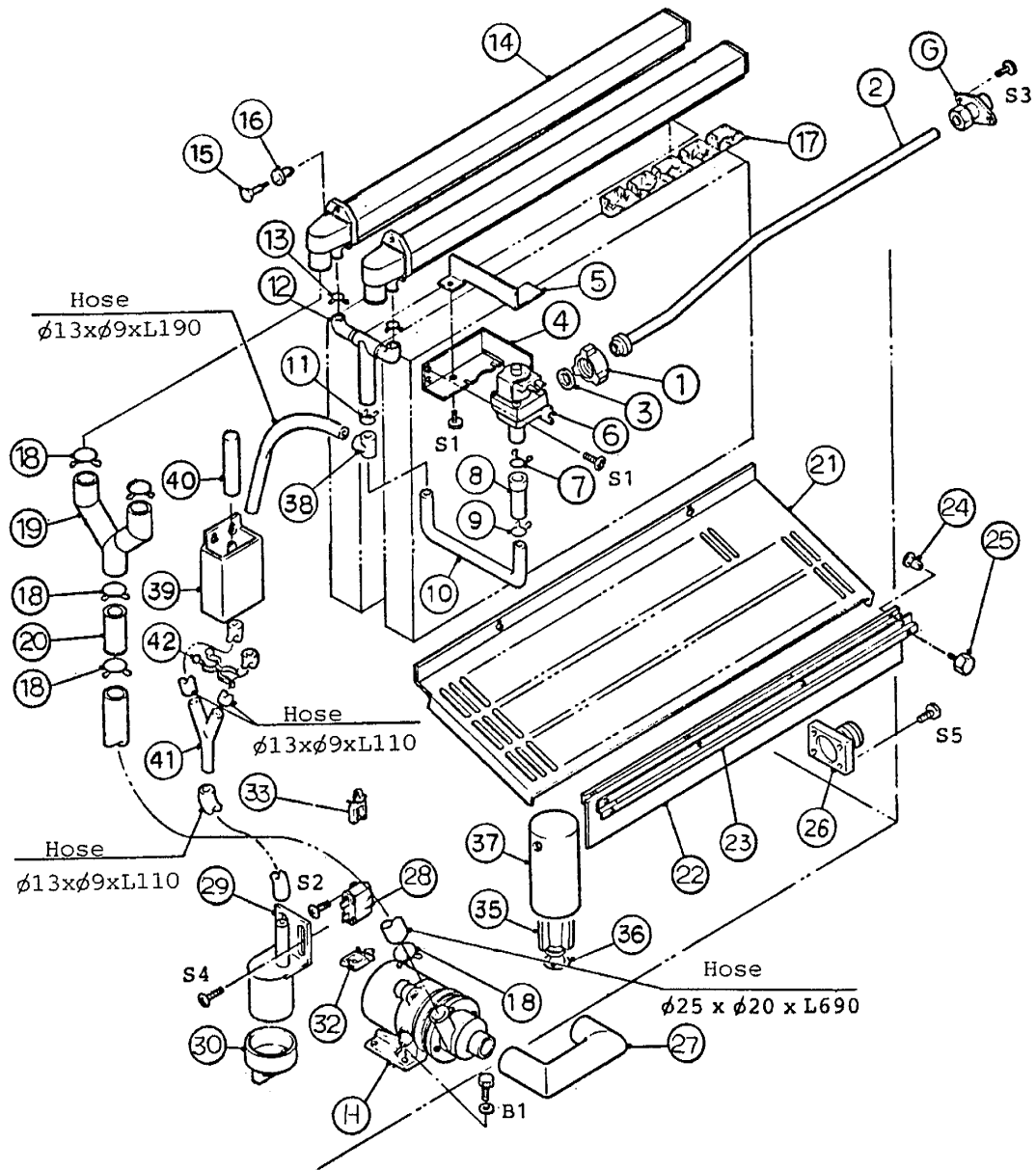
FASTENER

- S1 - TRUSS HEAD TAPPING SCREW, M4x8
- S2 - TRUSS HEAD TAPPING SCREW, STAINLESS, M4x12
- S3 - TRUSS HEAD MACHINE SCREW, M4x8
- S4 - TRUSS HEAD MACHINE SCREW, STAINLESS, M4x8
- S5 - TRUSS HEAD MACHINE SCREW, M4x12
- B1 - HEXAGON HEAD BOLT, STAINLESS, M4x12



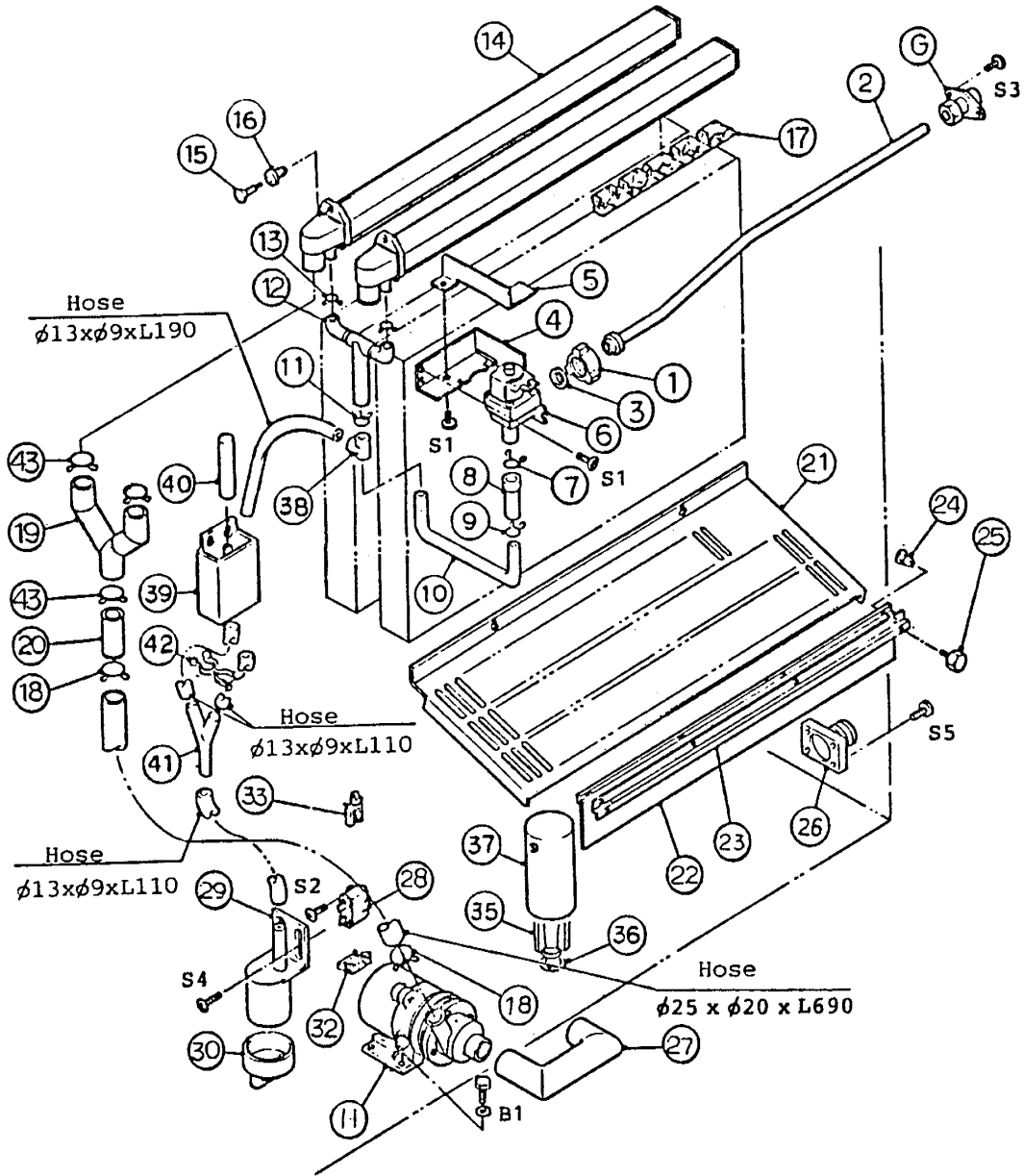
FASTENER

- S1 - TRUSS HEAD TAPPING SCREW, M4x8
- S2 - TRUSS HEAD TAPPING SCREW, STAINLESS, M4x12
- S3 - TRUSS HEAD MACHINE SCREW, M4x8
- S4 - TRUSS HEAD MACHINE SCREW, STAINLESS, M4x8
- S5 - TRUSS HEAD MACHINE SCREW, M4x12
- B1 - HEXAGON HEAD BOLT, STAINLESS, M4x12



FASTENER

- S1 - TRUSS HEAD TAPPING SCREW, M4x8
- S2 - TRUSS HEAD TAPPING SCREW, STAINLESS, M4x12
- S3 - TRUSS HEAD MACHINE SCREW, M4x8
- S4 - TRUSS HEAD MACHINE SCREW, STAINLESS, M4x8
- S5 - TRUSS HEAD MACHINE SCREW, M4x12
- B1 - HEXAGON HEAD BOLT, STAINLESS, M4x12

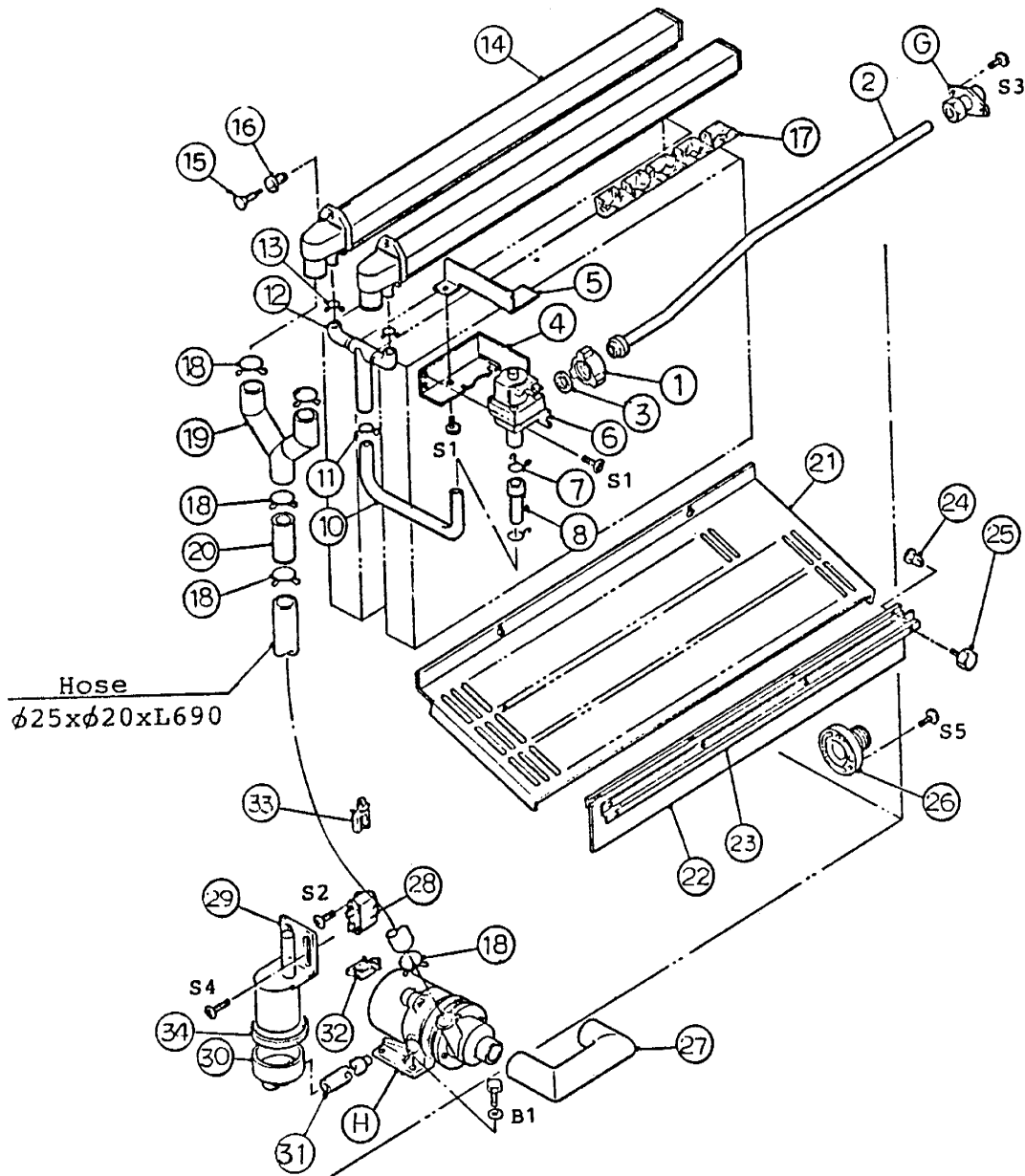


FASTENER

- S1 - TRUSS HEAD TAPPING SCREW, M4x8
- S2 - TRUSS HEAD TAPPING SCREW, STAINLESS, M4x12
- S3 - TRUSS HEAD MACHINE SCREW, M4x8
- S4 - TRUSS HEAD MACHINE SCREW, STAINLESS, M4x8
- S5 - TRUSS HEAD MACHINE SCREW, M4x12
- B1 - HEXAGON HEAD BOLT, STAINLESS, M4x12

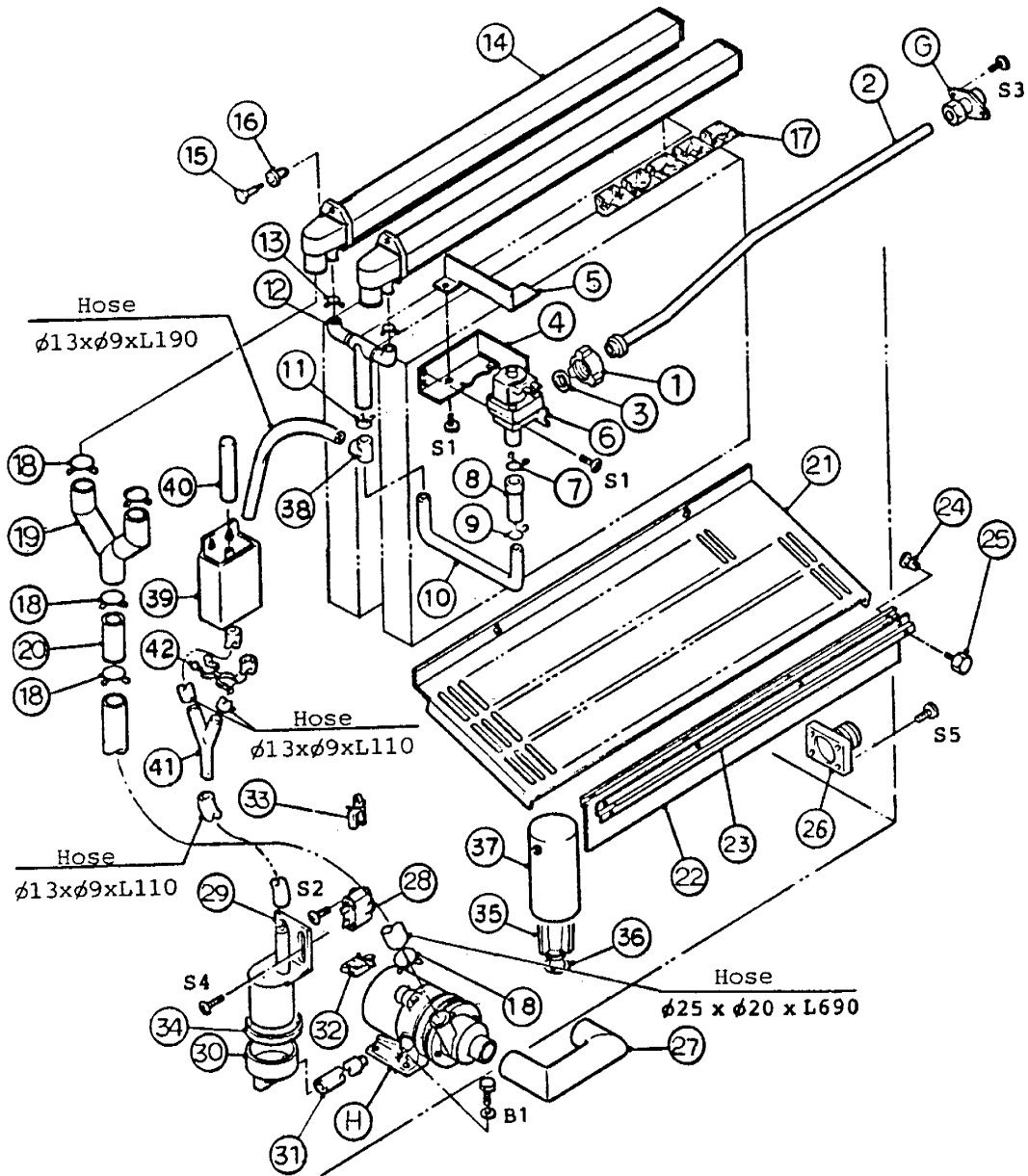
MODEL		TITLE						
KM-631DU		C. WATER CIRCUIT ASSEMBLY						
INDEX NO.	DESCRIPTION	MATERIAL OR MODEL NUMBER	PART NUMBER	REQ'D NUMBER				
				E-1	F-1	F-2	G-1	H-1
G	FITTING (P) ASSEMBLY	(S-0351)	311425A01	1	1	1	1	1
H	PUMP MOTOR ASSEMBLY	(S-0430)	316805A01	1	1	1	1	1
1	Fitting Nut	AC	426910-02	1	1	1	1	1
2	Water Supply Line	S.S	428439G01	1	1	1	1	1
3	Packing	NBR	413854-01	1	1	1	1	1
4	Bracket - Water Valve	G.S	426926-01	1	1	1	1	1
5	Barrier - Water Valve	G.S	426911-01	1	1	1	1	1
6	Water Valve	J246-354	3U0070-02	1	1	1	1	1
7	Clamp	SK-165	426148-06	1	1	1	1	1
8	Hose - Water Supply	EVA	425289-03	1	1	1	-	
			425289-04				1	1
9	Clamp	SK-145	426148-03	1	1	1	1	1
10	Pipe	ABS	430001-01	1	-			
			430001-02		1	1	1	1
11	Clamp	S.S, 14.5mm	427443-02	1	1	1	1	-
		S.S, 16.5mm	427443-04					1
12	"Y" Branch (A)	EPDM	426795-01	1	1	1	1	1
13	Clamp	S.S, 12mm	427443-01	2	2	2	2	-
		S.S, 13.5mm	427443-07					2
14	Pipe - Water Supply	ABS	426869G01	2	2	2	2	2
15	Grommet	H322-4-2	422300-03	2	2	2	2	2
16	Plunger	H323-4-5-2	422299-03	2	2	2	2	2
17	Guide - Water Supply	PE	208586-01	6	6	6	6	6
18	Clamp	S.S, 25mm	427443-03	5	5	5	5	2
19	"Y" Branch (B)	EPDM	426798-01	1	1	1	1	1
20	Connector	ABS	426797-01	1	1	1	1	1
21	Guide - Cube	S.S	318183G01	1	1	1	1	1
22	Curtain	PE	427432G02	1	1	1	1	1
23	Brace - Curtain	S.S	317241-01	1	1	1	1	1
24	Snap Button	KB-09	427030-01	4	4	4	4	4

MODEL		TITLE			REQ'D NUMBER				
KM-631DU		C. WATER CIRCUIT ASSEMBLY							
INDEX NO.	DESCRIPTION	MATERIAL OR MODEL NUMBER	PART NUMBER	REQ'D NUMBER					
				E-1	F-1	F-2	G-1	H-1	
25	Thumbscrew	S.S, ABS	415949G04	2	2	2	2	2	
26	Pipe - Drain	PVC	316845-01	1	-				
			317938-01		1	1	1	1	
27	Hose - Pump Suction	EPDM	426796-01	1	1	1	1	1	
28	Capacitor - Pump Motor	3.5 μ D, 230V	3U0042-02	1	1	1	1	1	
29	Float Switch	FS-0893A-1	430417-01	1	1	1	1	1	
30	Connector - Float Switch	EPDM	426799-02	1	1	X			
			426799-01			⊙	1	1	
31	Hose	EPDM	430513-01	1	1	X			
32	Wire Saddle	LWS-4NA	7830-0007	1	1	1	1	1	
33	Wire Saddle	WS-2NS	7830-0002	2	2	2	-		
			427007-02				2	2	
34	Clamp	No.5085	429297-01	1	1	1	-		
35	Pipe - Overflow	ABS	430722-01		1	1	1	1	
36	"O" Ring	1AP32	7611-P032		1	1	1	1	
37	Cap - Overflow	EPDM	430723-01		1	1	1	1	
38	Tee	EPDM	430724-01		1	1	1	1	
39	Flush Tank	ABS	319639-01		1	1	1	1	
40	Cap	ABS	430725-01		1	1	1	1	
41	Connector	PP	430737-01		1	1	X		
			432763-01				⊙	1	
42	Clamp	No.872	430743-01		1	1	1	1	
43	Clamp	S.S, 27mm	427443-08					3	



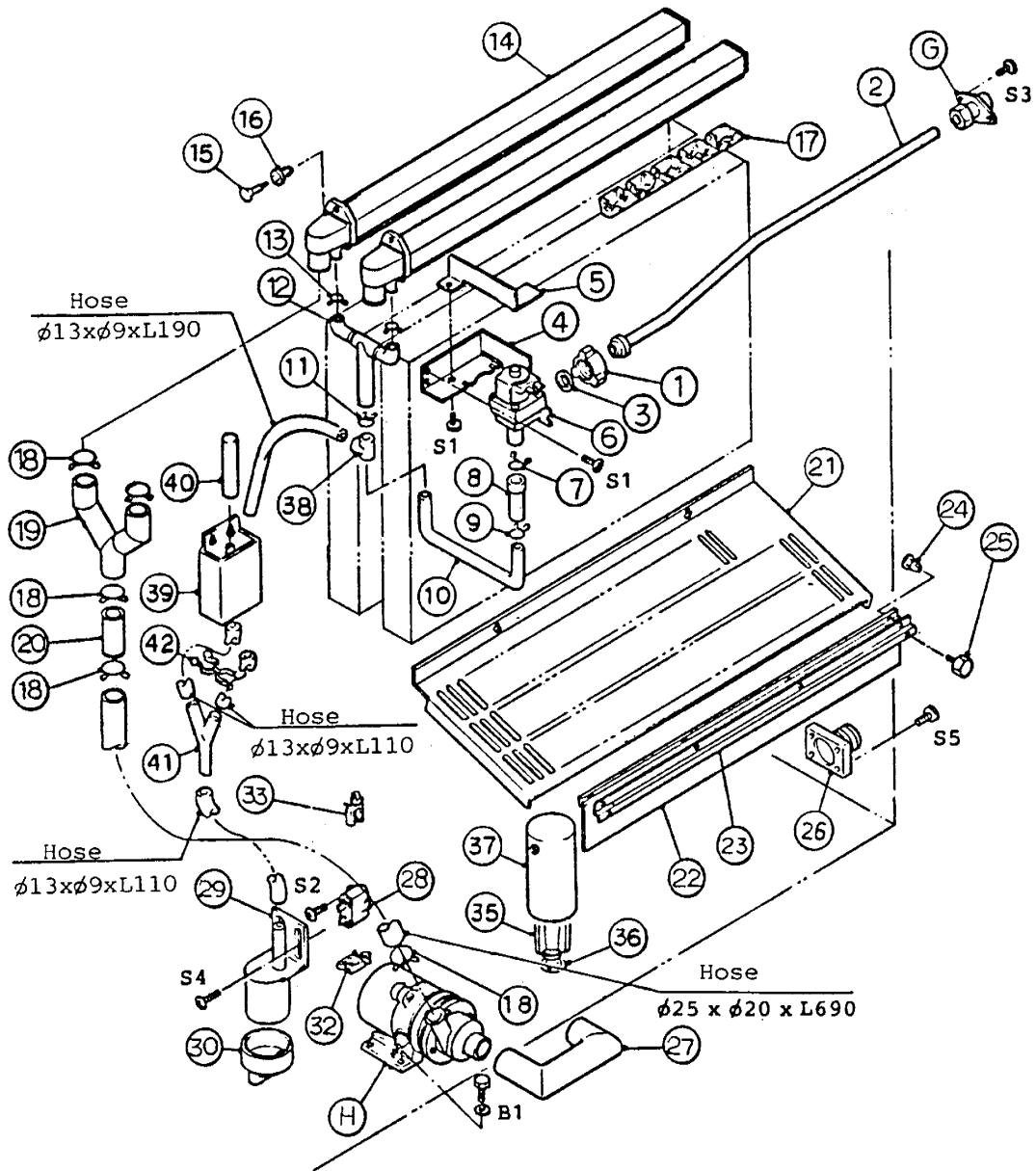
FASTENER

- S1 - TRUSS HEAD TAPPING SCREW, M4x8
- S2 - TRUSS HEAD TAPPING SCREW, STAINLESS, M4x12
- S3 - TRUSS HEAD MACHINE SCREW, M4x8
- S4 - TRUSS HEAD MACHINE SCREW, STAINLESS, M4x8
- S5 - TRUSS HEAD MACHINE SCREW, M4x12
- B1 - HEXAGON HEAD BOLT, STAINLESS, M4x12



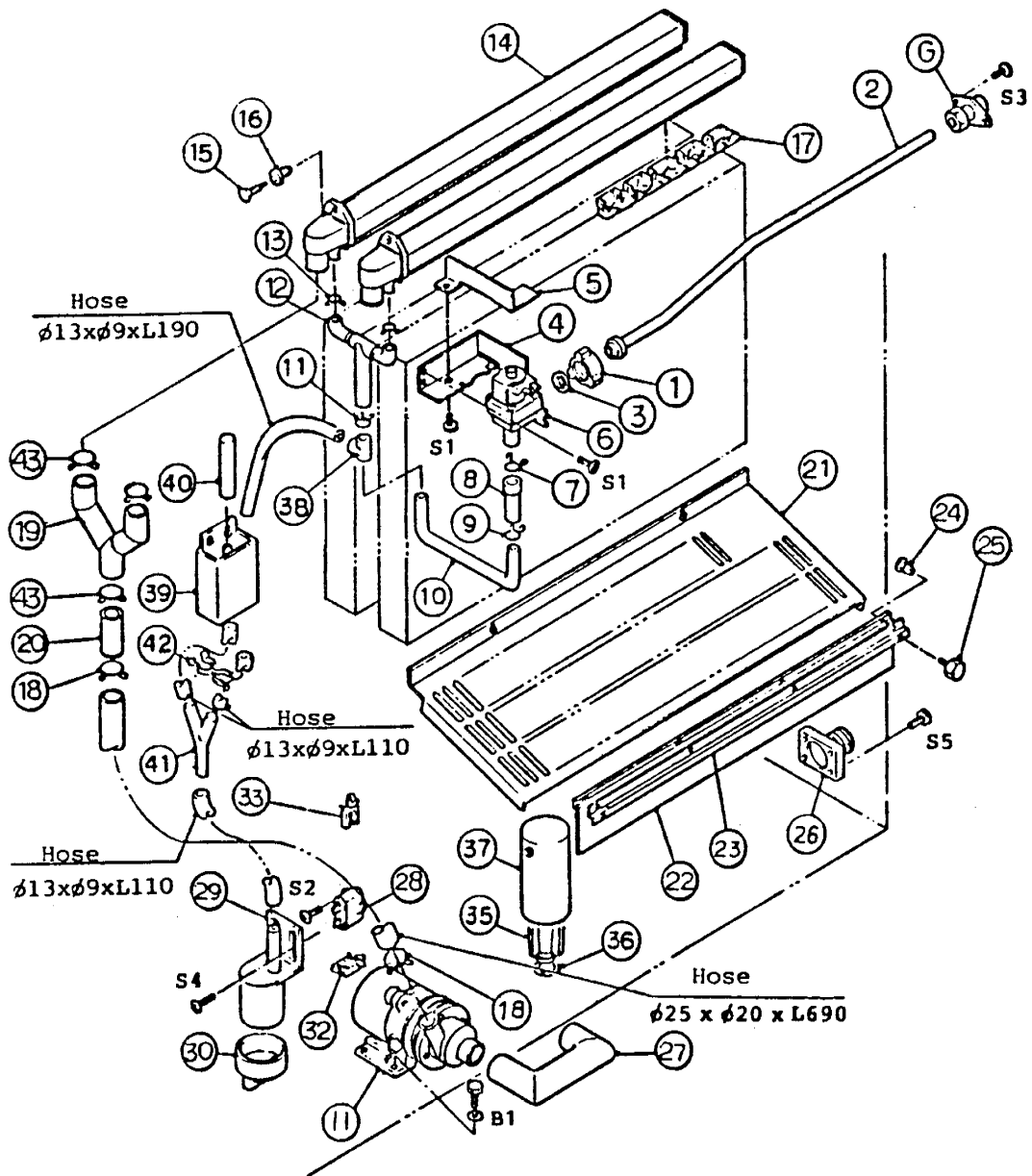
FASTENER

- S1 - TRUSS HEAD TAPPING SCREW, M4x8
- S2 - TRUSS HEAD TAPPING SCREW, STAINLESS, M4x12
- S3 - TRUSS HEAD MACHINE SCREW, M4x8
- S4 - TRUSS HEAD MACHINE SCREW, STAINLESS, M4x8
- S5 - TRUSS HEAD MACHINE SCREW, M4x12
- B1 - HEXAGON HEAD BOLT, STAINLESS, M4x12



FASTENER

- S1 - TRUSS HEAD TAPPING SCREW, M4x8
- S2 - TRUSS HEAD TAPPING SCREW, STAINLESS, M4x12
- S3 - TRUSS HEAD MACHINE SCREW, M4x8
- S4 - TRUSS HEAD MACHINE SCREW, STAINLESS, M4x8
- S5 - TRUSS HEAD MACHINE SCREW, M4x12
- B1 - HEXAGON HEAD BOLT, STAINLESS, M4x12



FASTENER

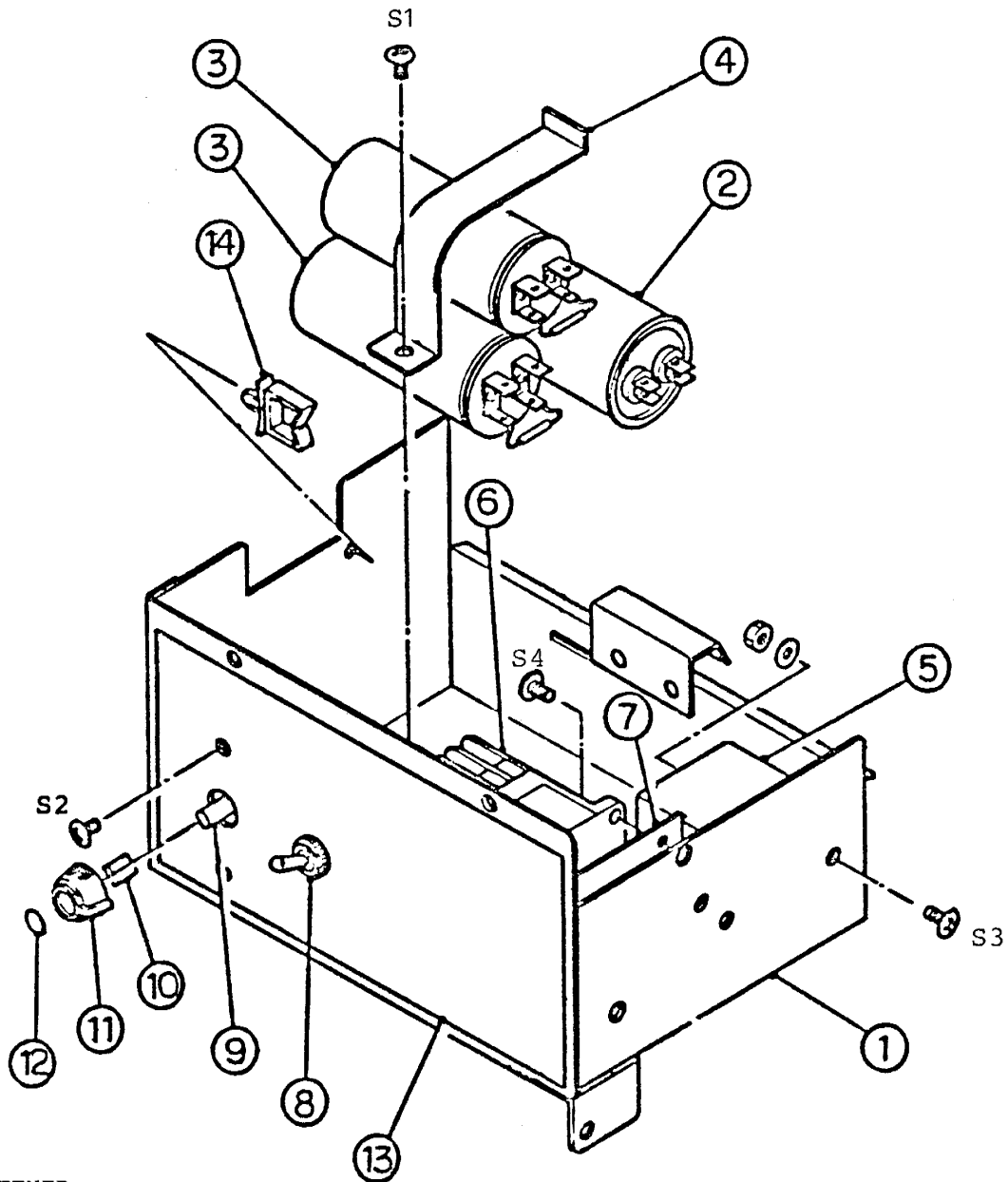
- S1 - TRUSS HEAD TAPPING SCREW, M4x8
- S2 - TRUSS HEAD TAPPING SCREW, STAINLESS, M4x12
- S3 - TRUSS HEAD MACHINE SCREW, M4x8
- S4 - TRUSS HEAD MACHINE SCREW, STAINLESS, M4x8
- S5 - TRUSS HEAD MACHINE SCREW, M4x12
- B1 - HEXAGON HEAD BOLT, STAINLESS, M4x12

MODEL		TITLE			REQ'D NUMBER				
KM-631DWU		C. WATER CIRCUIT ASSEMBLY							
INDEX NO.	DESCRIPTION	MATERIAL OR MODEL NUMBER	PART NUMBER	REQ'D NUMBER					
				E-1	F-1	F-2	G-0	H-1	
G	FITTING (P) ASSEMBLY	(S-0351)	311425A01	1	1	1	1	1	
H	PUMP MOTOR ASSEMBLY	(S-0430)	316805A01	1	1	1	1	1	
1	Fitting Nut	AC	426910-02	1	1	1	1	1	
2	Water Supply Line	S.S	428433G01	1	1	1	1	1	
3	Packing	NBR	418854-01	1	1	1	1	1	
4	Bracket - Water Valve	G.S	426926-01	1	1	1	1	1	
5	Barrier - Water Valve	G.S	426911-01	1	1	1	1	1	
6	Water Valve	J246-354	3U0070-02	1	1	1	1	1	
7	Clamp	SK-165	426148-06	1	1	1	1	1	
8	Hose - Water Supply	EVA	425289-03	1	1	⊗			
			425289-04			①	1	1	
9	Clamp	SK-145	426148-03	1	1	1	1	1	
10	Pipe	ABS	430001-01	1	-				
			430001-02		1	1	1	1	
11	Clamp	S.S, 14.5mm	427443-02	1	1	1	1	-	
		S.S, 16.5mm	427443-04					1	
12	"Y" Branch (A)	EPDM	426795-01	1	1	1	1	1	
13	Clamp	S.S, 12mm	427443-01	2	2	2	2	-	
		S.S, 13.5mm	427443-07					2	
14	Pipe - Water Supply	ABS	426869G01	2	2	2	2	2	
15	Grommet	H322-4-2	422300-03	2	2	2	2	2	
16	Plunger	H323-4-5-2	422299-03	2	2	2	2	2	
17	Guide - Water Supply	PE	208586-01	6	6	6	6	6	
18	Clamp	S.S, 25mm	427443-03	5	5	5	5	2	
19	"Y" Branch (B)	EPDM	426798-01	1	1	1	1	1	
20	Connector	ABS	426797-01	1	1	1	1	1	
21	Guide - Cube	S.S	313183G01	1	1	1	1	1	
22	Curtain	PE	427432G02	1	1	1	1	1	
23	Brace - Curtain	S.S	317241-01	1	1	1	1	1	
24	Snap Button	KB-09	427030-01	4	4	4	4	4	

MODEL		TITLE						
KM-631DWU		C. WATER CIRCUIT ASSEMBLY						
INDEX NO.	DESCRIPTION	MATERIAL OR MODEL NUMBER	PART NUMBER	REQ'D NUMBER				
				E-1	F-1	P-2	G-0	H-1
25	Thumbscrew	S.S, ABS	415949C04	2	2	2	2	2
26	Pipe - Drain	PVC	316845-01	1	-			
			317938-01		1	1	1	1
27	Hose - Pump Suction	EPDM	426796-01	1	1	1	1	1
28	Capacitor - Pump Motor	3.5 μ D, 230V	3U0042-02	1	1	1	1	1
29	Float Switch	FS-0893A-1	430417-01	1	1	1	1	1
30	Connector - Float Switch	EPDM	426799-02	1	1	X		
			426799-01			①	1	1
31	Hose	EPDM	430513-01	1	1	X		
32	Wire Saddle	LWS-4NA	7830-0007	1	1	1	1	1
33	Wire Saddle	WS-2NS	7830-0002	2	2	X		
			427007-02			②	2	2
34	Clamp	No.5085	429297-01	1	1	X		
35	Pipe - Overflow	ABS	430722-01		1	1	1	1
36	"O" Ring	1AP32	7611-P032		1	1	1	1
37	Cap - Overflow	EPDM	430723-01		1	1	1	1
38	Tee	EPDM	430724-01		1	1	1	1
39	Flush Tank	ABS	319639-01		1	1	1	1
40	Cap	ABS	430725-01		1	1	1	1
41	Connector	PP	430737-01		1	X		
			432763-01			①	1	1
42	Clamp	No.872	430743-01		1	1	1	1
43	Clamp	S.S, 27mm	427443-08					3

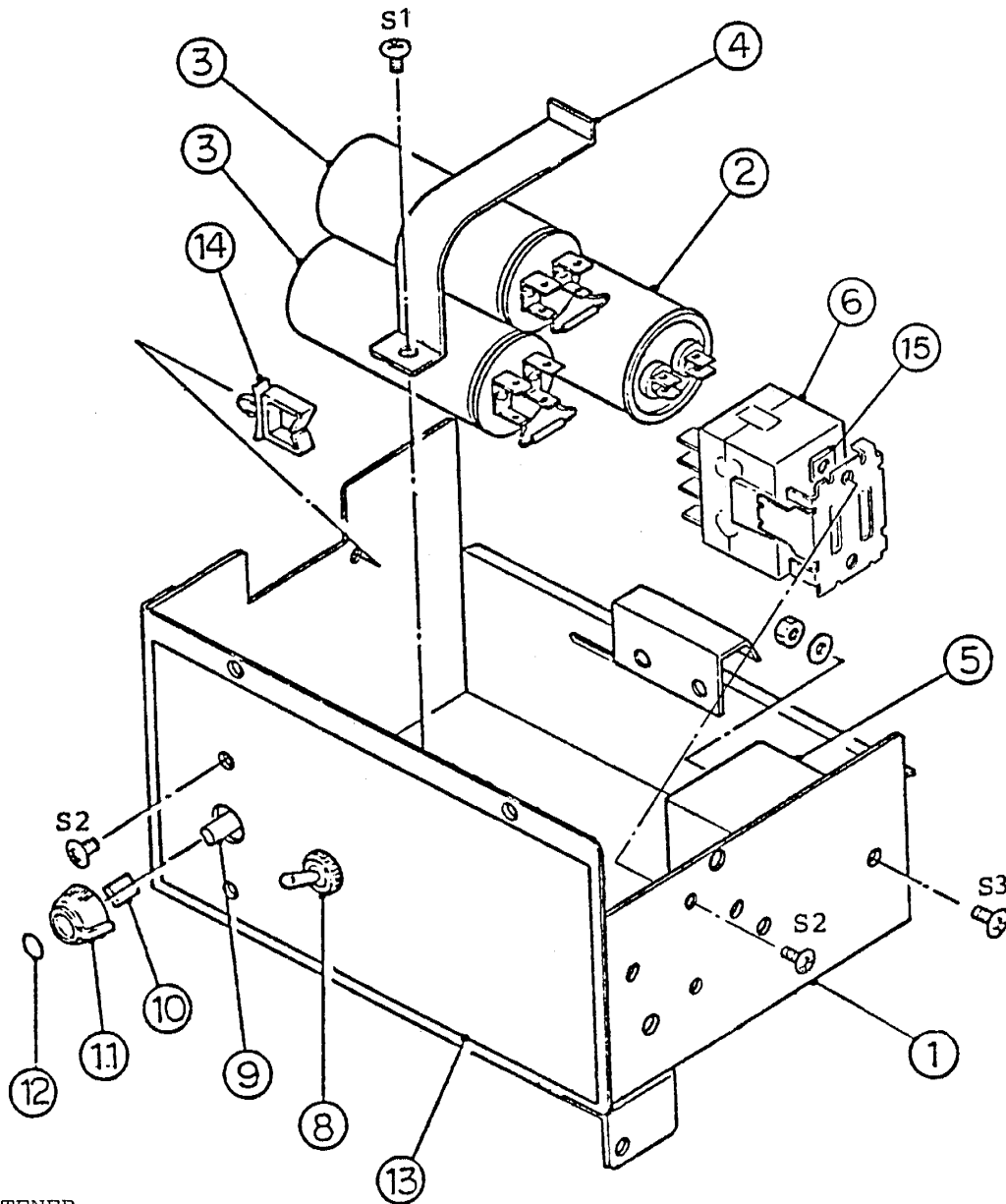
MODEL		TITLE			REQ'D NUMBER				
KM-631DSU		C. WATER CIRCUIT ASSEMBLY							
INDEX NO.	DESCRIPTION	MATERIAL OR MODEL NUMBER	PART NUMBER	REQ'D NUMBER					
				E-1	F-1	F-2	G-0	H-1	
G	FITTING (P) ASSEMBLY	(S-0351)	311425A01	1	1	1	1	1	
H	PUMP MOTOR ASSEMBLY	(S-0430)	316805A01	1	1	1	1	1	
1	Fitting Nut	AC	426910-02	1	1	1	1	1	
2	Water Supply Line	S.S	428439G01	1	1	1	1	1	
3	Packing	NBR	413854-01	1	1	1	1	1	
4	Bracket - Water Valve	G.S	426926-01	1	1	1	1	1	
5	Barrier - Water Valve	G.S	426911-01	1	1	1	1	1	
6	Water Valve	J246-354	3U0070-02	1	1	1	1	1	
7	Clamp	SK-165	426148-06	1	1	1	1	1	
8	Hose - Water Supply	EVA	425289-03	1	1	X			
			425289-04			①	1	1	
9	Clamp	SK-145	426148-03	1	1	1	1	1	
10	Pipe	ABS	430001-01	1	-				
			430001-02		1	1	1	1	
11	Clamp	S.S, 14.5mm	427443-02	1	1	1	1	-	
		S.S, 16.5mm	427443-04					1	
12	"Y" Branch (A)	EPDM	426795-01	1	1	1	1	1	
13	Clamp	S.S, 12mm	427443-01	2	2	2	2	-	
		S.S, 13.5mm	427443-07					2	
14	Pipe - Water Supply	ABS	426869G01	2	2	2	2	2	
15	Grommet	H322-4-2	422300-03	2	2	2	2	2	
16	Plunger	H323-4-5-2	422299-03	2	2	2	2	2	
17	Guide - Water Supply	PE	208586-01	6	6	6	6	6	
18	Clamp	S.S, 25mm	427443-03	5	5	5	5	2	
19	"Y" Branch (B)	EPDM	426798-01	1	1	1	1	1	
20	Connector	ABS	426797-01	1	1	1	1	1	
21	Guide - Cube	S.S	318188G01	1	1	1	1	1	
22	Curtain	PE	427432G02	1	1	1	1	1	
23	Brace - Curtain	S.S	317241-01	1	1	1	1	1	
24	Snap Button	KB-09	427030-01	4	4	4	4	4	

MODEL		TITLE						
KM-631DSU		C. WATER CIRCUIT ASSEMBLY						
INDEX NO.	DESCRIPTION	MATERIAL OR MODEL NUMBER	PART NUMBER	REQ'D NUMBER				
				E-1	F-1	F-2	G-0	H-1
25	Thumbscrew	S.S. ABS	415949G04	2	2	2	2	2
26	Pipe - Drain	PVC	316845-01	1	-			
			317938-01		1	1	1	1
27	Hose - Pump Suction	EPDM	426796-01	1	1	1	1	1
28	Capacitor - Pump Motor	3.5 μ D, 230V	3U0042-02	1	1	1	1	1
29	Float Switch	FS-0893A-1	430417-01	1	1	1	1	1
30	Connector - Float Switch	EPDM	426799-02	1	1	X		
			426799-01			①	1	1
31	Hose	EPDM	430513-01	1	1	X		
32	Wire Saddle	LWS-4NA	7830-0007	1	1	1	1	1
33	Wire Saddle	WS-2NS	7830-0002	2	2	X		
			427007-02			②	2	2
34	Clamp	No.5085	429297-01	1	1	X		
35	Pipe - Overflow	ABS	430722-01		1	1	1	1
36	"O" Ring	1AP32	7611-PC32		1	1	1	1
37	Cap - Overflow	EPDM	430723-01		1	1	1	1
38	Tee	EPDM	430724-01		1	1	1	1
39	Flush Tank	ABS	319639-01		1	1	1	1
40	Cap	ABS	430725-01		1	1	1	1
41	Connector	PP	430737-01		1	X		
			432763-01			①	1	1
42	Clamp	No.872	430743-01		1	1	1	1
43	Clamp	S.S. 27mm	427443-08					3



FASTENER

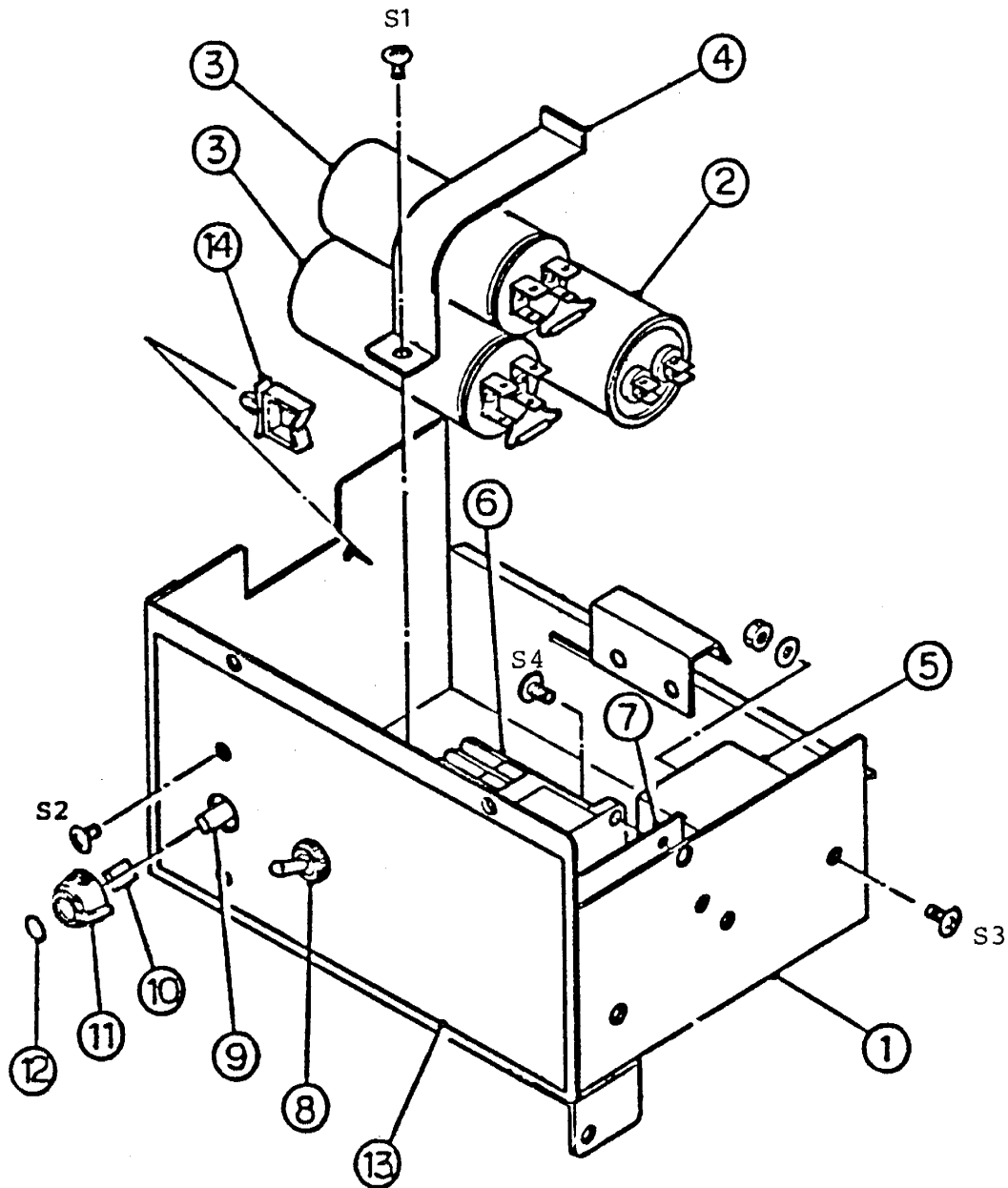
- S1 - TRUSS HEAD MACHINE SCREW, M4x8
- S2 - TRUSS HEAD MACHINE SCREW, M4x6
- S3 - TRUSS HEAD MACHINE SCREW, M4x12
- S4 - TRUSS HEAD MACHINE SCREW, M4x16



FASTENER

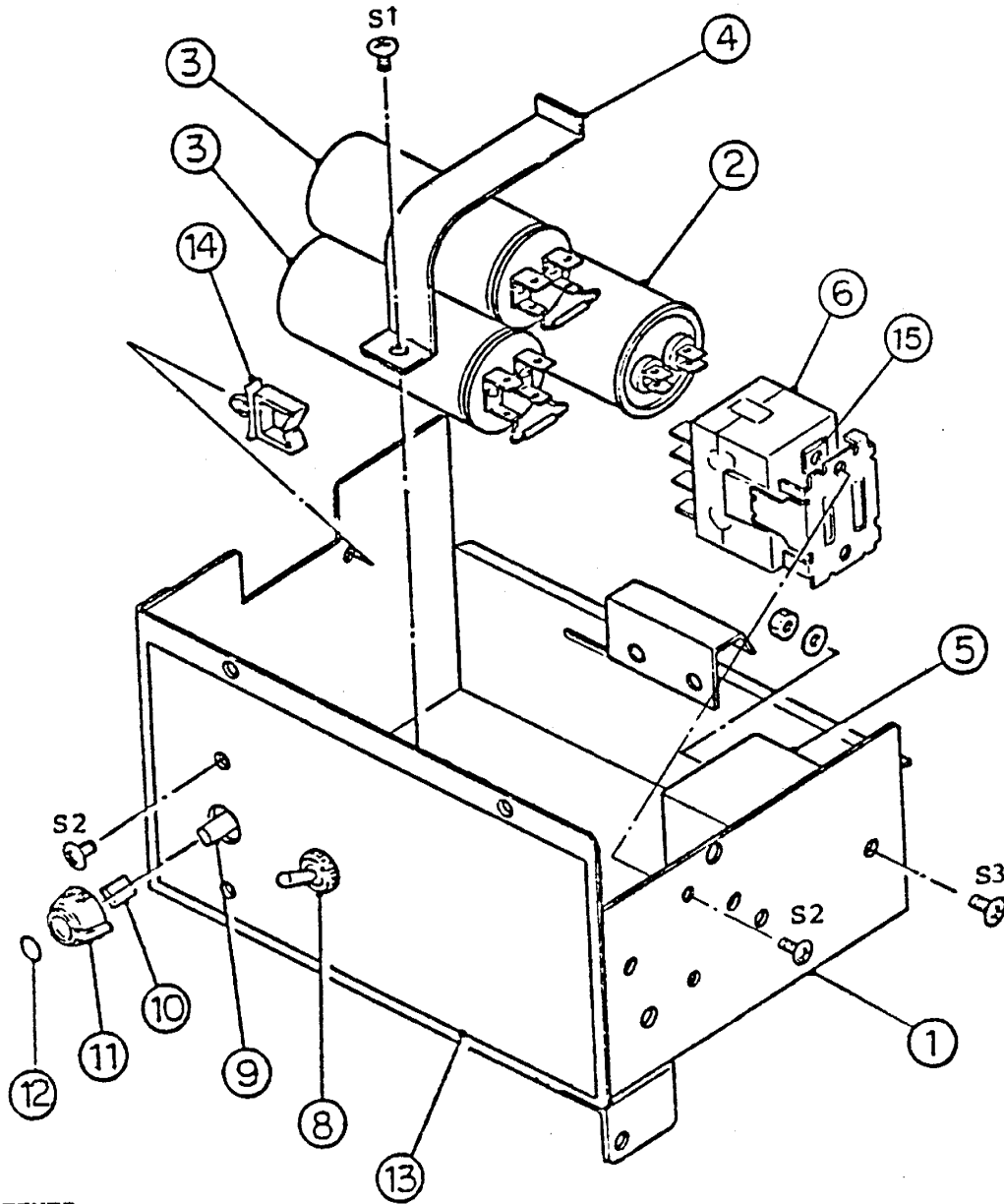
- S1 - TRUSS HEAD MACHINE SCREW, M4x8
- S2 - TRUSS HEAD MACHINE SCREW, M4x6
- S3 - TRUSS HEAD MACHINE SCREW, M4x12

MODEL		TITLE			REQ'D NUMBER				
KM-631DU		D. CONTROL BOX ASSEMBLY							
INDEX NO.	DESCRIPTION	MATERIAL OR MODEL NUMBER	PART NUMBER	REQ'D NUMBER					
				E-1	F-1	F-2	G-1	H-1	
1	Control Box	G.S	316889G01	1	1	1	1	1	
2	Run Capacitor	PMT-40250P	3U0058-01	1	1	-			
		PMT SH	431200-01			1	1	1	
3	Start Capacitor	MS180F 100CJ-R	3U0054-01	2	2	2	2	2	
4	Strap - Capacitor	G.S	426915-01	1	1	-			
			426915-02			1	1	1	
5	Starter	FST-275B	422619-01	1	1	1	1	1	
6	Magnetic Contactor	C-10FE	427003-01	1	1	-			
		VC-20	428393-01			1	1	1	
7	Brace	-	426916-01	1	1	-			
8	Toggle Switch	ST-103A	405135-02	1	1	1	1	1	
9	Thermostat - Bin Control	A10-9756	420465-01	1	1	1	1	1	
10	Insert	PE	407927-01	1	1	1	1	1	
11	Knob	ABS	309332-01	1	1	1	1	1	
12	Label - Knob	PETP Film	415993-01	1	1	1	1	1	
13	Label - Control	Aluminum	427044-01	1	1	1	-		
			432142-01				1	1	
14	Wire Saddle	LWS-3NS	7830-0003	2	2	2	1	1	
15	Nut - US	S.S	7GU2-A400			2	2	2	



FASTENER

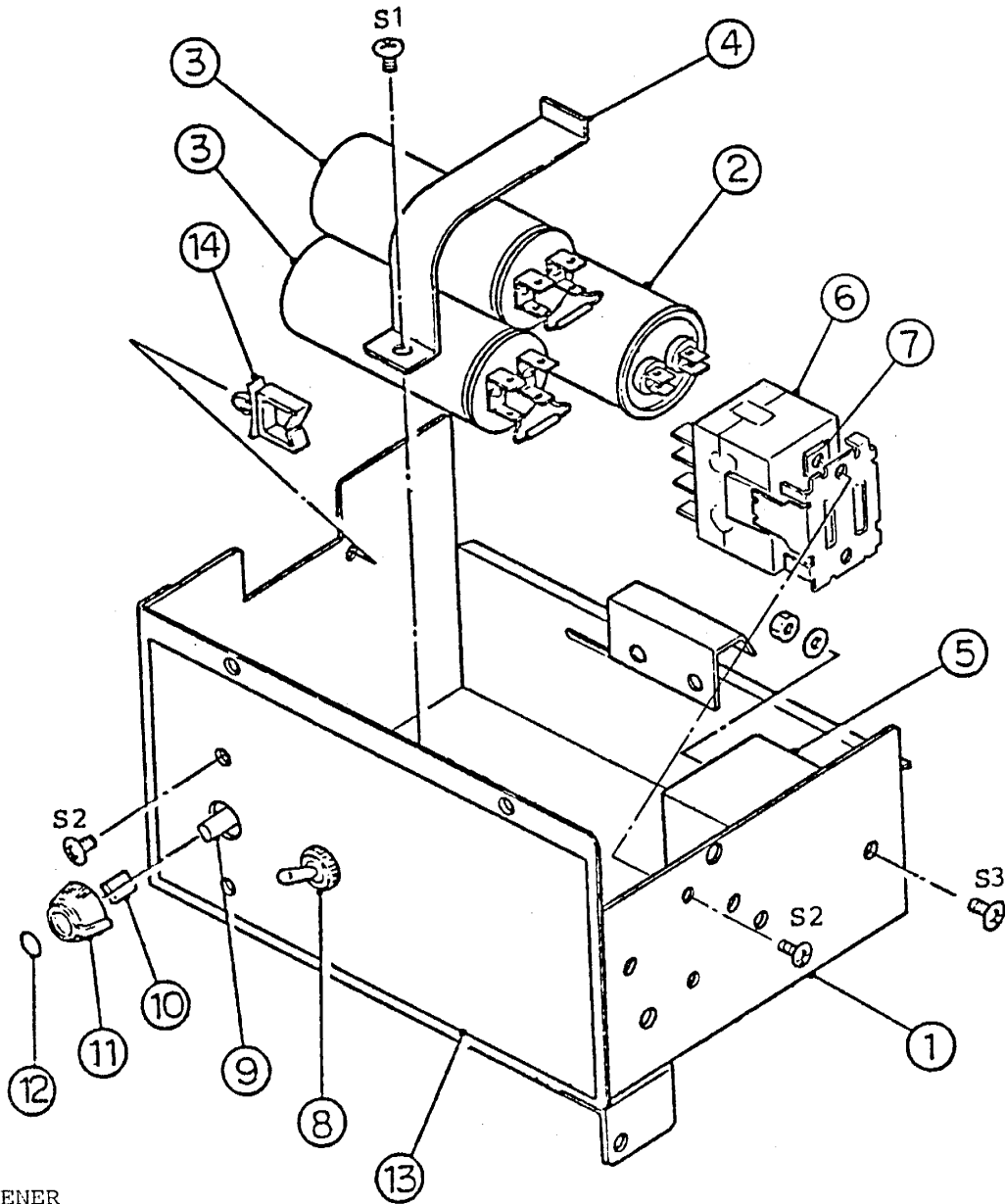
- S1 - TRUSS HEAD MACHINE SCREW, M4x8
- S2 - TRUSS HEAD MACHINE SCREW, M4x6
- S3 - TRUSS HEAD MACHINE SCREW, M4x12
- S4 - TRUSS HEAD MACHINE SCREW, M4x16



FASTENER

- S1 - TRUSS HEAD MACHINE SCREW, M4x8
- S2 - TRUSS HEAD MACHINE SCREW, M4x6
- S3 - TRUSS HEAD MACHINE SCREW, M4x12

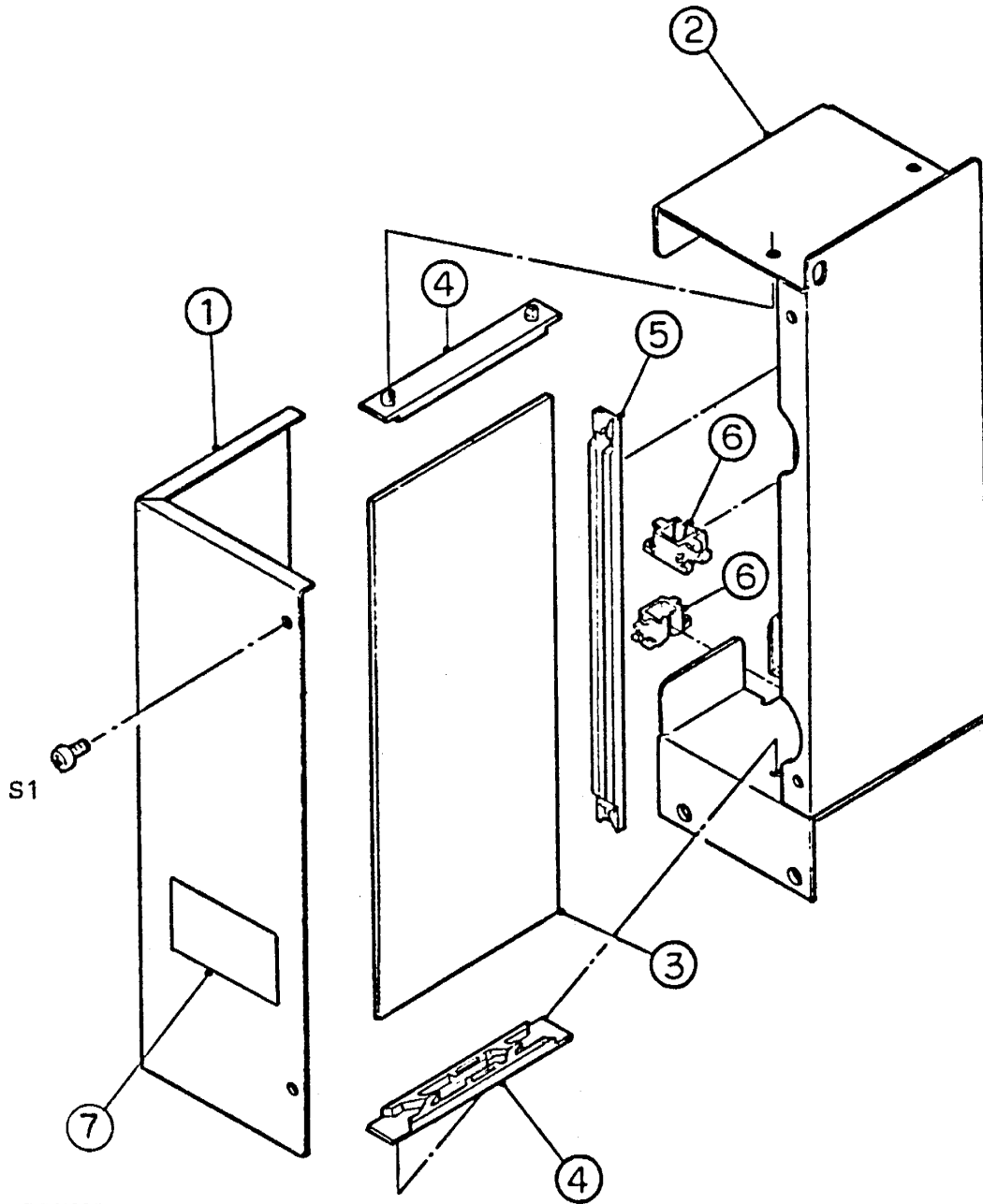
MODEL		TITLE						
KM-631DWU		D. CONTROL BOX ASSEMBLY						
INDEX NO.	DESCRIPTION	MATERIAL OR MODEL NUMBER	PART NUMBER	REQ'D NUMBER				
				E-1	F-1	F-2	G-0	H-1
1	Control Box	G.S	316889G01	1	1	1	1	1
2	Run Capacitor	PMT-40250P	3U0058-01	1	1			
		PMT SH	431200-01			1	1	1
3	Start Capacitor	MS180F 100CJ-R	3U0054-01	2	2	2	2	2
4	Strap - Capacitor	G.S	426915-01	1	1	-		
			426915-02			1	1	1
5	Starter	FST-275B	422619-01	1	1	1	1	1
6	Magnetic Contactor	C-10PE	427003-01	1	1	-		
		VC-20	428393-01			1	1	1
7	Brace	-	426916-01	1	1	-		
8	Toggle Switch	ST-103A	405135-02	1	1	1	1	1
9	Thermostat - Bin Control	A10-9756	420465-01	1	1	1	1	1
10	Insert	PE	407927-01	1	1	1	1	1
11	Knob	ABS	309332-01	1	1	1	1	1
12	Label - Knob	PETP Film	415993-01	1	1	1	1	1
13	Label - Control	Aluminum	427044-01	1	1	X		
			432142-01			⓪	1	1
14	Wire Saddle	LWS-3NS	7830-0003	2	2	1	1	1
15	Nut - US	S.S	7GU2-A400			2	2	2



FASTENER

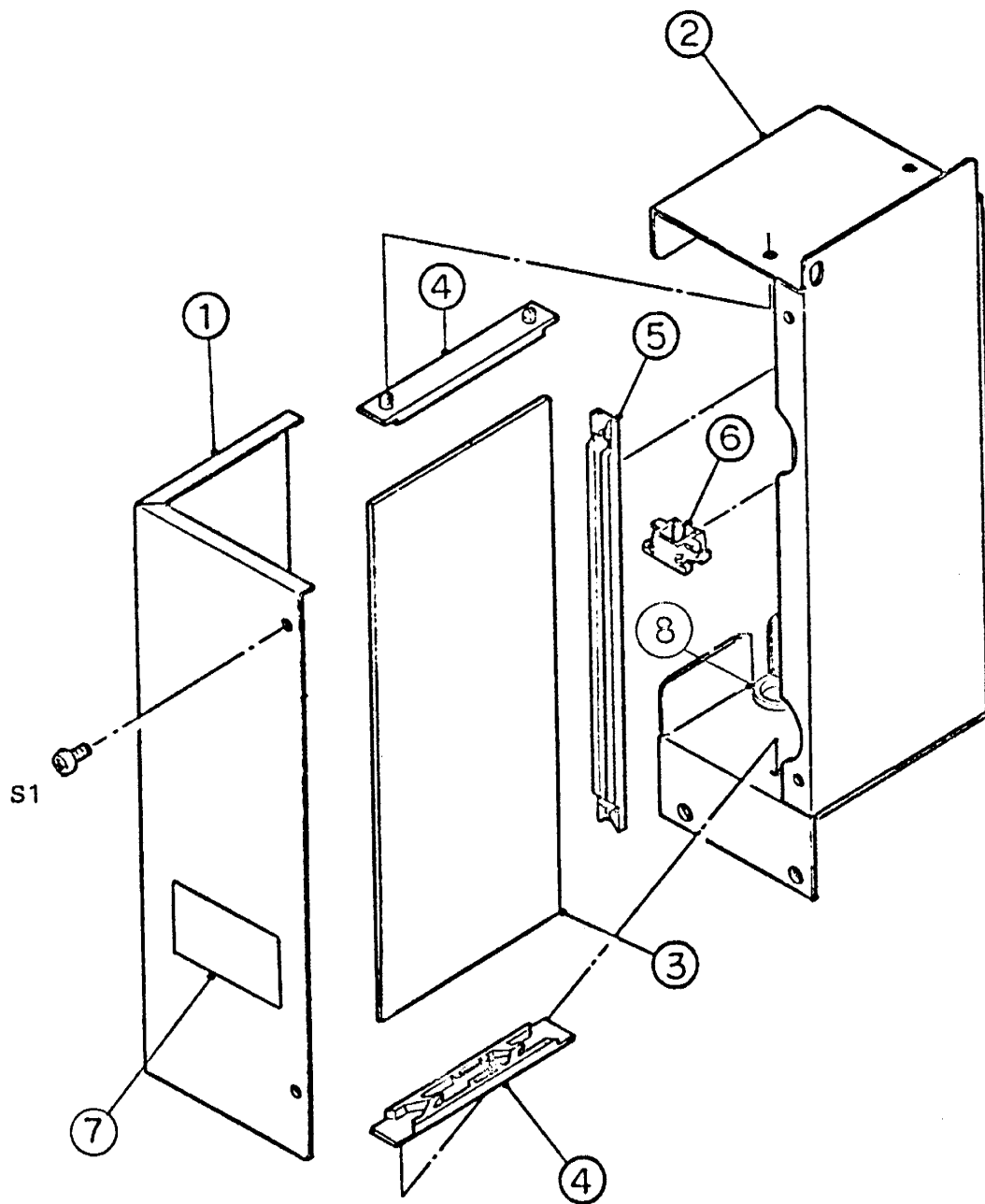
- S1 - TRUSS HEAD MACHINE SCREW, M4x8
- S2 - TRUSS HEAD MACHINE SCREW, M4x6
- S3 - TRUSS HEAD MACHINE SCREW, M4x16

MODEL		TITLE						
KM-631DSU		D. CONTROL BOX ASSEMBLY						
INDEX NO.	DESCRIPTION	MATERIAL OR MODEL NUMBER	PART NUMBER	REQ'D NUMBER				
				E-1	F-1	F-2	G-0	H-1
1	Control Box	G.S	316889G01	1	1	1	1	1
2	Run Capacitor	PMT-40250P	3U0058-01	1	1	-		
		PMT SH	481200-01			1	1	1
3	Start Capacitor	MS180F 100CJ-R	3U0054-01	2	2	2	2	2
4	Strap - Capacitor	G.S	426915-01	1	1	-		
			426915-02			1	1	1
5	Starter	FST-275B	422619-01	1	1	1	1	1
6	Magnetic Contactor	VC-20	428393-01	1	1	1	1	1
7	Nut - US	S.S	7GU2-A400	2	2	2	2	2
8	Toggle Switch	ST210P	428638-01	1	1	1	1	1
9	Thermostat - Bin Control	A10-9756	420465-01	1	1	1	1	1
10	Insert	PE	407927-01	1	1	1	1	1
11	Knob	ABS	309332-01	1	1	1	1	1
12	Label - Knob	PETP Film	415993-01	1	1	1	1	1
13	Label - Control	Aluminum	318699-01	1	1	⊗		
			320592-01			①	1	1
14	Wire Saddle	LWS-3NS	7830-0003	2	2	1	1	1



FASTENER

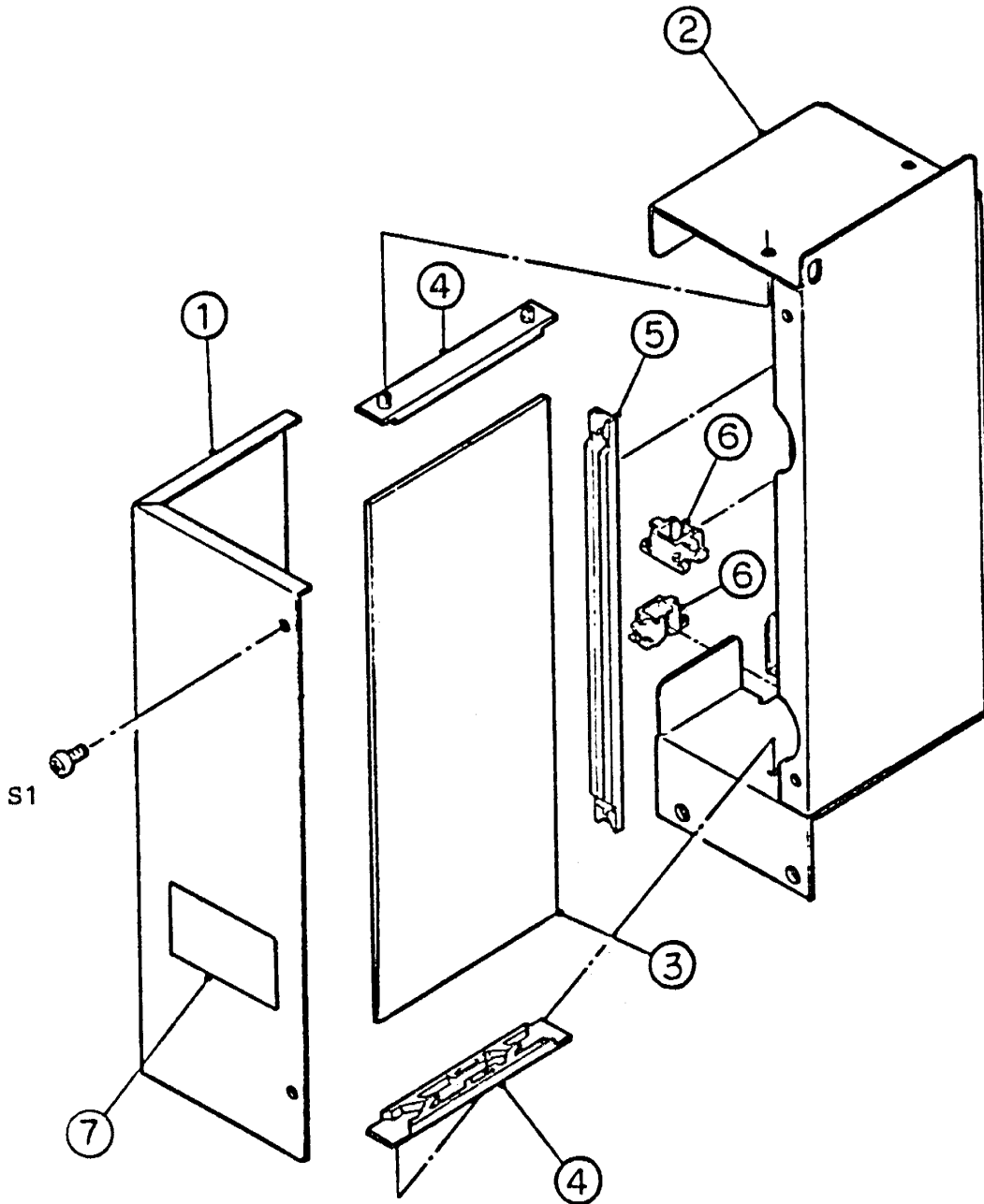
S1 - TRUSS HEAD TAPPING SCREW, M4x8



FASTENER

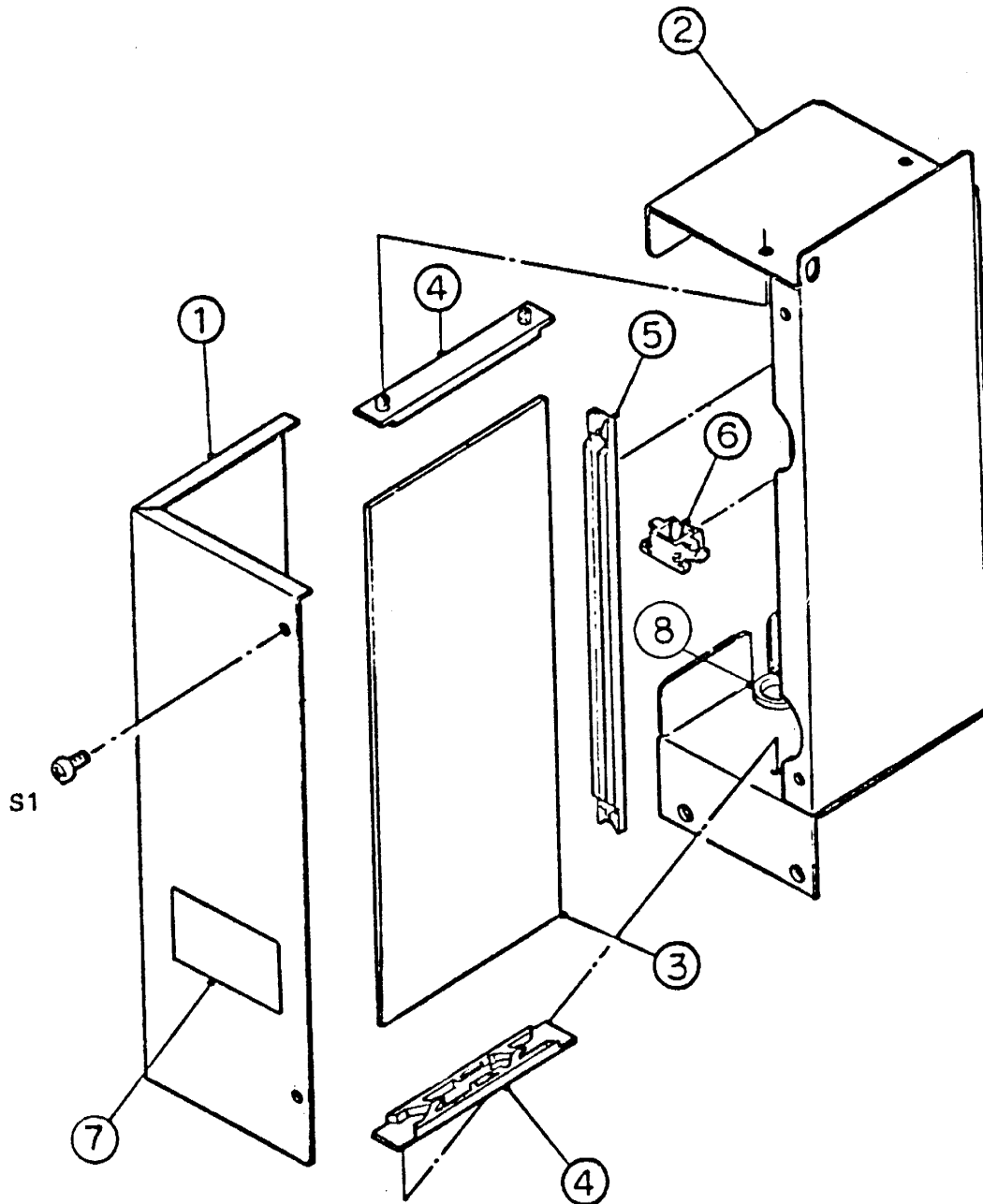
S1 - TRUSS HEAD TAPPING SCREW, M4x8

MODEL		TITLE						
KM-631DU		E. CONTROLLER BOX ASSEMBLY						
INDEX NO.	DESCRIPTION	MATERIAL OR MODEL NUMBER	PART NUMBER	REQ'D NUMBER				
				E-1	F-1	R-2	G-1	H-1
1	Cover - Control Box	G.S	426948G01	1	1	1	1	1
2	Control Box	G.S	426946G01	1	1	1	1	1
3	Controller Board	HSU88137C02	427004-02	1	1	1	-	
		431225-01	431225-01				1	1
4	Guide	SPC-3000	427006-01	2	2	2	2	2
5	Guide	GR-180S	427005-01	1	1	1	1	1
6	Edge Saddle	EDS-2	421552-02	2	2	2	1	1
7	Label - Caution	PVC Film	427981-01	1	1	1	-	
			432145-01				1	1
8	Bushing	OCB-750	428394-01				1	1



FASTENER

S1 - TRUSS HEAD TAPPING SCREW, M4x8



FASTENER

S1 - TRUSS HEAD TAPPING SCREW, M4x8

HA

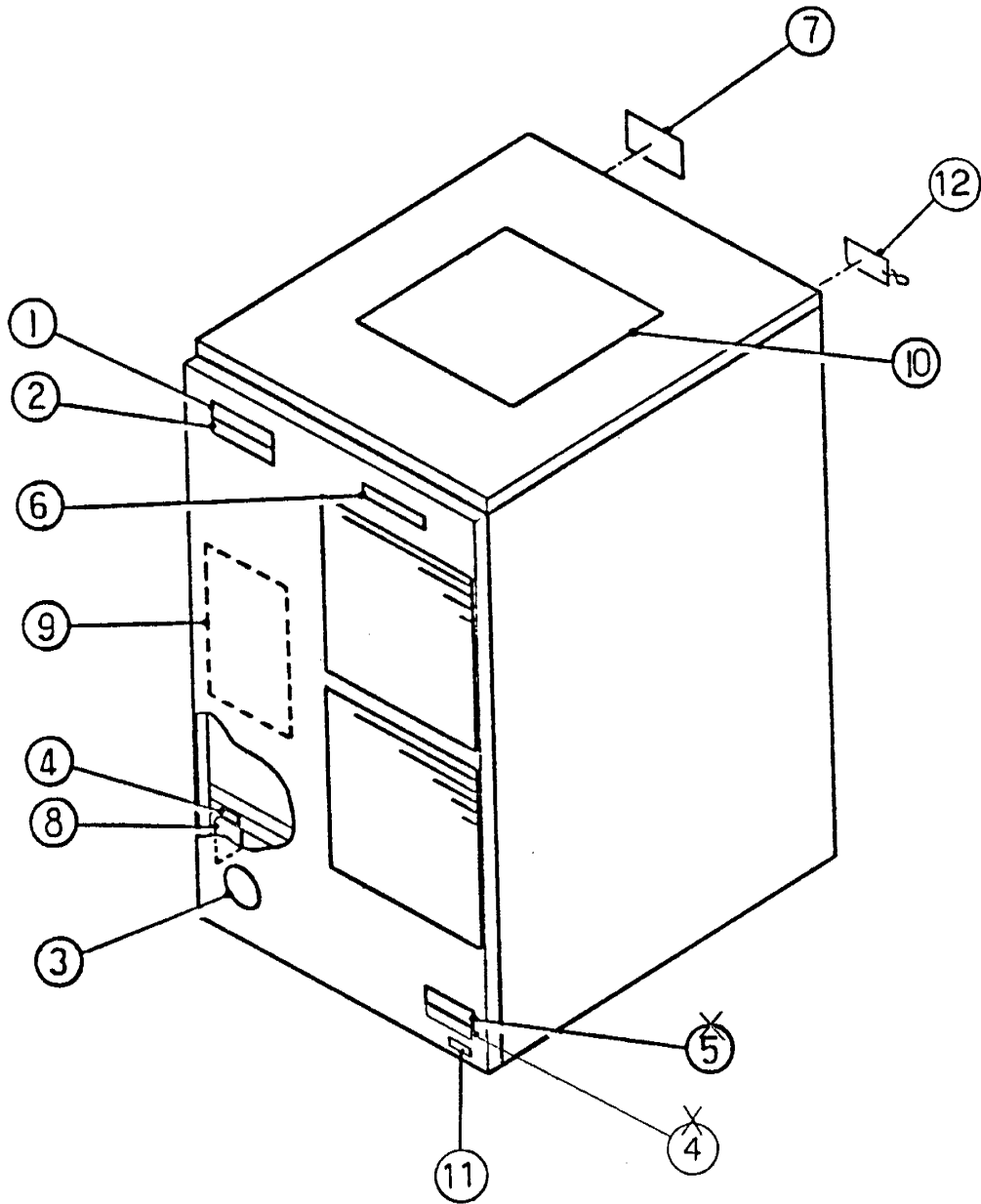
MODEL		TITLE			REQ'D NUMBER				
KM-631DWU		E. CONTROLLER BOX ASSEMBLY			B-1	F-1	F-2	G-0	H-1
INDEX NO.	DESCRIPTION	MATERIAL OR MODEL NUMBER	PART NUMBER	B-1	F-1	F-2	G-0	H-1	
1	Cover - Control Box	G.S	426948G01	1	1	1	1	1	
2	Control Box	G.S	426946G01	1	1	1	1	1	
3	Controller Board	HSU83187C02	427004-02	1	1	-			
		431225-01	431225-01			1	1	1	
4	Guide	SPC-3000	427006-01	2	2	2	2	2	
5	Guide	GR-180S	427005-01	1	1	1	1	1	
6	Edge Saddle	EDS-2	421552-02	2	2	1	1	1	
7	Label - Caution	PVC Film	427981-01	1	1	X			
			432145-01			Ⓛ	1	1	
8	Bushing	OCB-750	428394-01			1	1	1	

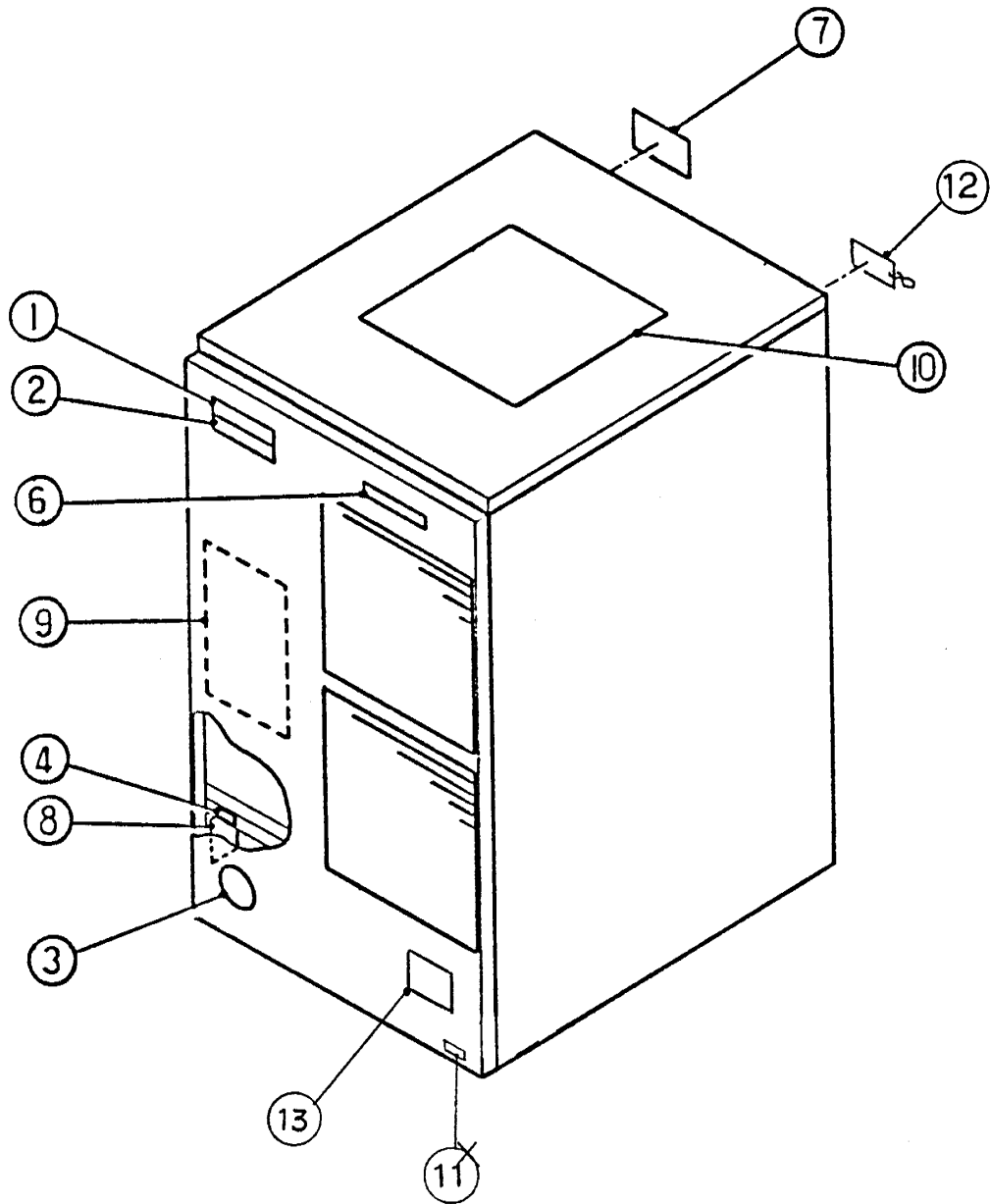
E

HA

MODEL		TITLE		REQ'D NUMBER				
KM-631DSU		E. CONTROLLER BOX ASSEMBLY		E-1	F-1	F-2	G-0	H-1
INDEX NO.	DESCRIPTION	MATERIAL OR MODEL NUMBER	PART NUMBER					
1	Cover - Control Box	G.S	426948G01	1	1	1	1	1
2	Control Box	G.S	426946G01	1	1	1	1	1
3	Controller Board	HSU83137C02	427004-02	1	1	-		
		431225-01	431225-01			1	1	1
4	Guide	SPC-3000	427006-01	2	2	2	2	2
5	Guide	GR-180S	427005-01	1	1	1	1	1
6	Edge Saddle	EDS-2	421552-02	2	2	1	1	1
7	Label - Caution	PVC Film	427981-01	1	1	X		
			432145-01			①	1	1
8	Bushing	OCB-750	428394-01			1	1	1

E

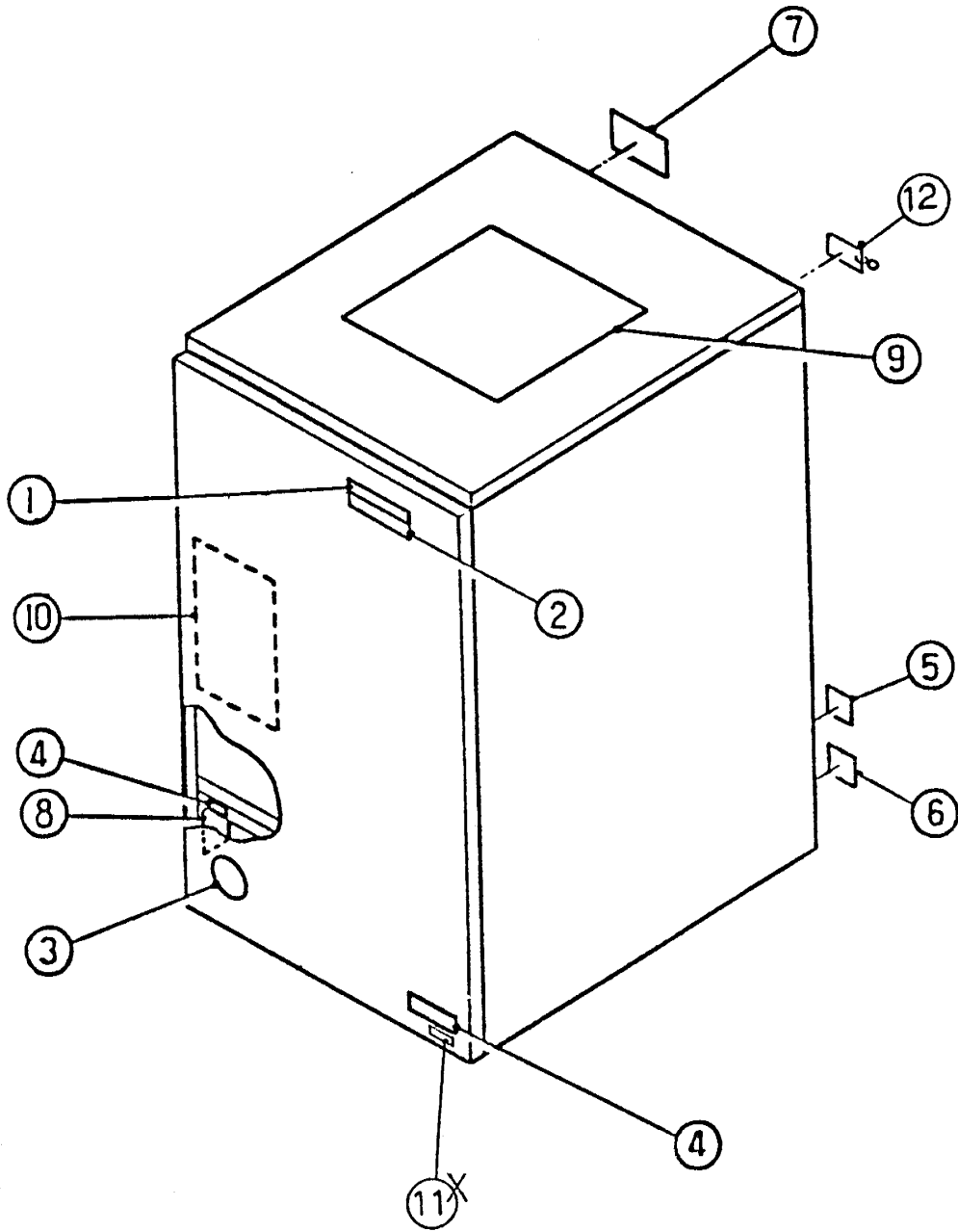


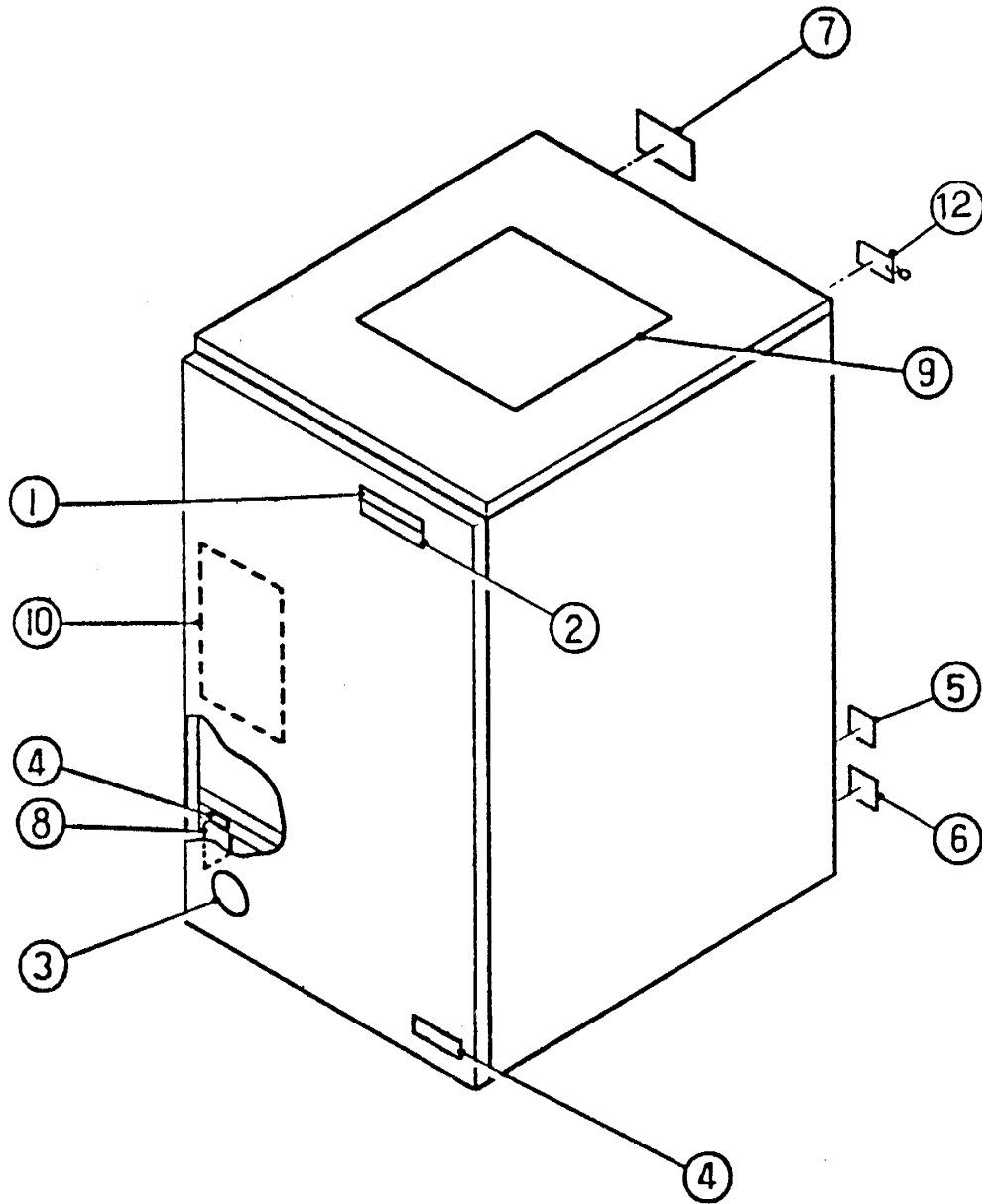


MODEL		TITLE		REQ'D NUMBER				
KM-631DU		F. LABEL LOCATION		E-1	F-1	F-2	G-1	H-1
INDEX NO.	DESCRIPTION	MATERIAL OR MODEL NUMBER	PART NUMBER	E-1	F-1	F-2	G-1	H-1
1	Emblem (L) - HOSHIZAKI	ABS	418634G01	1	1	1	1	1
2	Label - Model Number	PETP Film	429366-**	1	1	1	1	1
3	Label - Penguin	PVC Film	410994-01	1	1	1	1	1
4	Label - Danger	PVC Film	425322-01	2	2	1	1	1
5	Label - Caution	PVC Film	425323-01	1	X			
6	Label - Air Filter	PETP Film	426177-01	1	1	1	1	1
7	Nameplate	PES Film	429374-01	1	1	1	X	
			432910-01				⊙	1
8	Label - Float Switch Adjust.	PVC Film	427043-01	1	1	1	1	1
9	Label - Maintenance	PVC Film	316975-01	1	1	1	1	1
10	Instruction Sheet - Inst. Ope.	Paper	208750-01	1	1	1	1	1
11	Label - NSF	-	423170-01	1	1	1	X	
12	Tag - Warning: Connection	Paper	428430-01	1	1	1	1	1
13	Label - Danger And Warning	PVC Film	431092-01			1	1	1

E

** is as same as the Auxiliary Code.



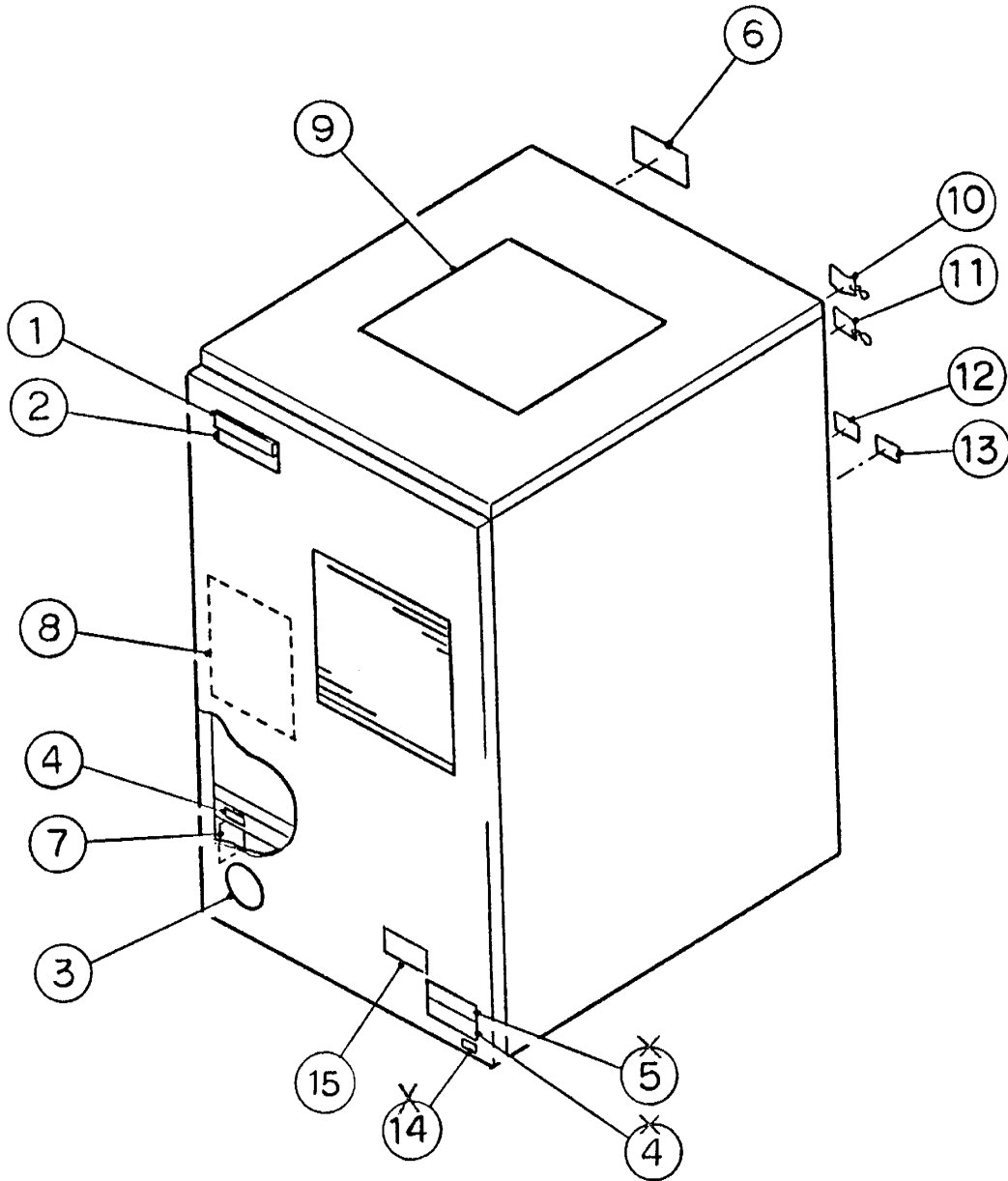


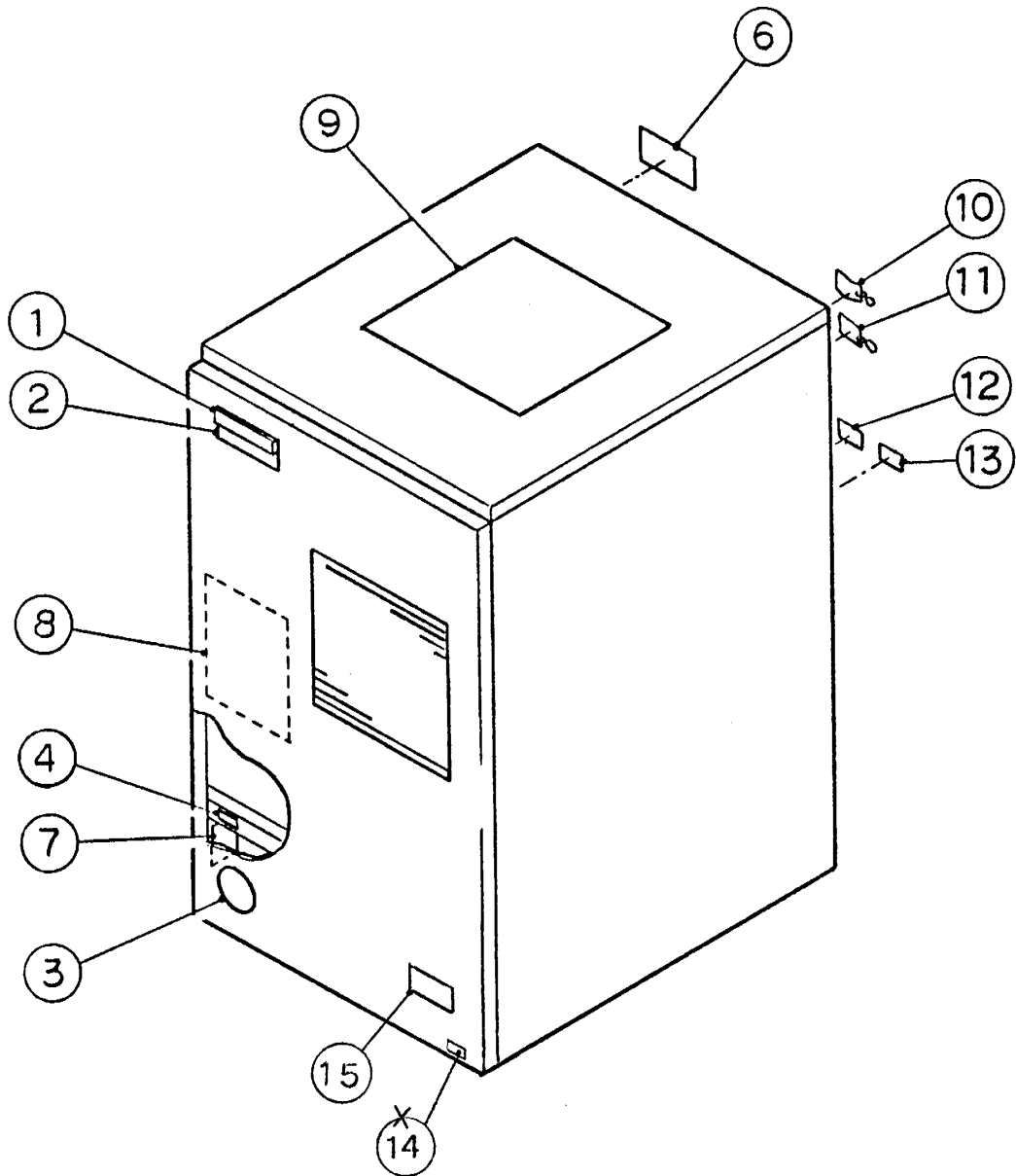
HA

MODEL		TITLE						
KM-631DWU		F. LABEL LOCATION						
INDEX NO.	DESCRIPTION	MATERIAL OR MODEL NUMBER	PART NUMBER	REQ'D NUMBER				
				E-1	F-1	F-2	G-0	H-1
1	Emblem (L) - HOSHIZAKI	ABS	418634G01	1	1	1	1	1
2	Label - Model Number	PETP Film	429365-**	1	1	1	1	1
3	Label - Penguin	PVC Film	410994-01	1	1	1	1	1
4	Label - Danger	PVC Film	425322-01	2	2	2	2	2
5	Label - Cooling Water Inlet	PETP Film	418029-04	1	1	1	1	1
6	Label - Cooling Water Outlet	PETP Film	418029-05	1	1	1	1	1
7	Nameplate	PES Film	429375-01	1	1	⊗		
			432912-01			①	1	1
8	Label - Float Switch Adjust.	PVC Film	427043-01	1	1	1	1	1
9	Instruction Sheet - Inst. Ope.	Paper	208750-01	1	1	1	1	1
10	Label - Maintenance	PVC Film	316975-01	1	1	1	1	1
11	Label - NSF	-	423170-01	1	1	⊗		
12	Tag - Warning: Connection	Paper	428430-01	1	1	1	1	1

E

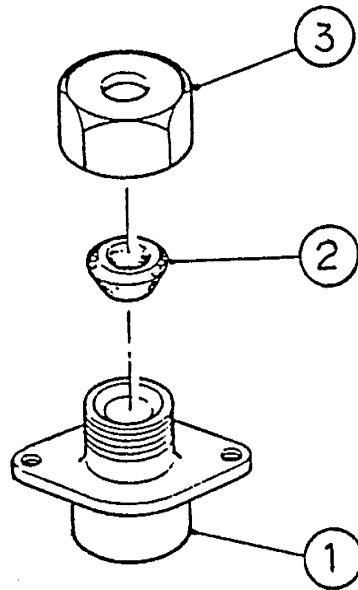
** is as same as the Auxiliary Code. 41





MODEL		TITLE		REQ'D NUMBER				
KM-631DSU		F. LABEL LOCATION		E-1	F-1	F-2	G-0	H-1
INDEX NO.	DESCRIPTION	MATERIAL OR MODEL NUMBER	PART NUMBER					
1	Emblem (L) - HOSHIZAKI	ABS	418634G01	1	1	1	1	1
2	Label - Model Number	PETP Film	428509-**	1	1	1	1	1
3	Label - Penguin	PVC Film	410994-01	1	1	1	1	1
4	Label - Danger	PVC Film	425322-01	2	2	1	1	1
5	Label - Caution	PVC Film	425323-01	1	X			
6	Nameplate	PES Film	429615-01	1	1	X		
			432911-01			①	1	1
7	Label - Float Switch Adjust.	PVC Film	427043-01	1	1	1	1	1
8	Label - Maintenance	PVC Film	316975-01	1	1	1	1	1
9	Instruction Sheet - Inst. Ope.	Paper	208750-01	1	1	1	1	1
10	Tag - Warning: Connection	Paper	428430-01	1	1	1	1	1
11	Tag - Fan Motor leads	Paper	420742-01	1	1	1	1	1
12	Label - Arrow "Out"	PETP Film	420743-01	1	1	1	1	1
13	Label - Arrow "In"	PETP Film	420743-02	1	1	1	1	1
14	Label - NSF	-	423170-01	1	1	X		
15	Label - Danger And Warning	PVC Film	431092-01	1	1	1	1	1

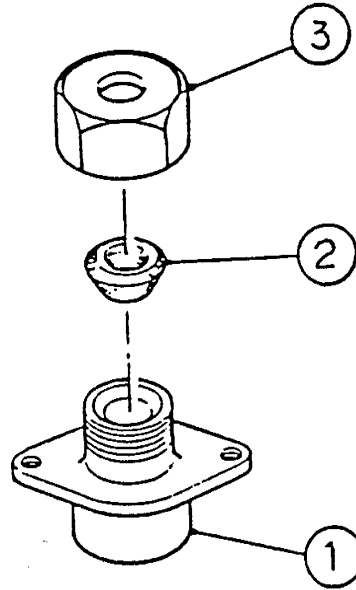
E



HA

MODEL		TITLE			REQ'D NUMBER				
KM-631DU		G. FITTING (P) ASSEMBLY							
INDEX NO.	DESCRIPTION	MATERIAL OR MODEL NUMBER	PART NUMBER	REQ'D NUMBER					
				E-1	F-1	P-2	G-1	H-1	
1	Fitting (K)	Brass	310978-01	1	1	1	1	1	
2	Packing (A)	Sy.R	415715-01	1	1	1	1	1	
3	Nut (A)	Brass	415713-01	1	1	1	1	1	

E



HA

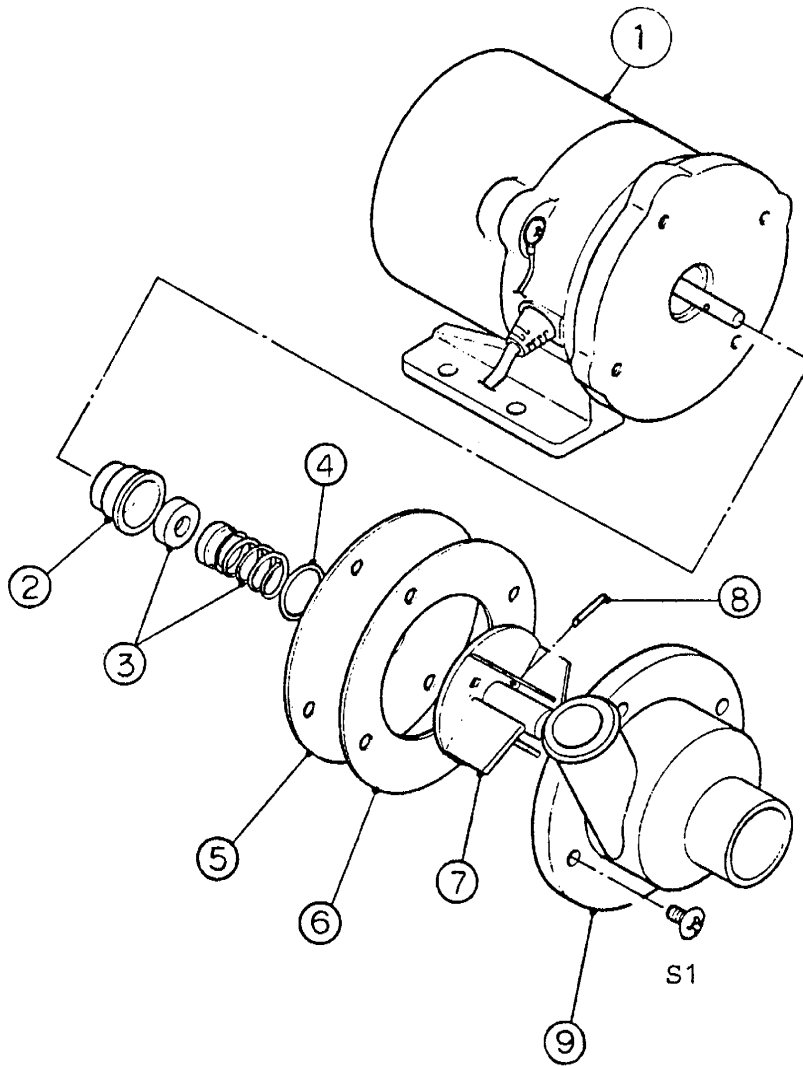
MODEL		TITLE						
KM-631DWU		G. FITTING (P) ASSEMBLY						
INDEX NO.	DESCRIPTION	MATERIAL OR MODEL NUMBER	PART NUMBER	REQ'D NUMBER				
				E-1	F-1	F-2	G-0	H-1
1	Fitting (K)	Brass	310978-01	1	1	1	1	1
2	Packing (A)	Sy.R	415715-01	1	1	1	1	1
3	Nut (A)	Brass	415713-01	1	1	1	1	1

E

HA

MODEL		TITLE						
KM-631DSU		G. FITTING (P) ASSEMBLY						
INDEX NO.	DESCRIPTION	MATERIAL OR MODEL NUMBER	PART NUMBER	REQ'D NUMBER				
				E-1	F-1	F-2	G-0	H-1
1	Fitting (K)	Brass	310978-01	1	1	1	1	1
2	Packing (A)	Sy.R	415715-01	1	1	1	1	1
3	Nut (A)	Brass	415713-01	1	1	1	1	1

E



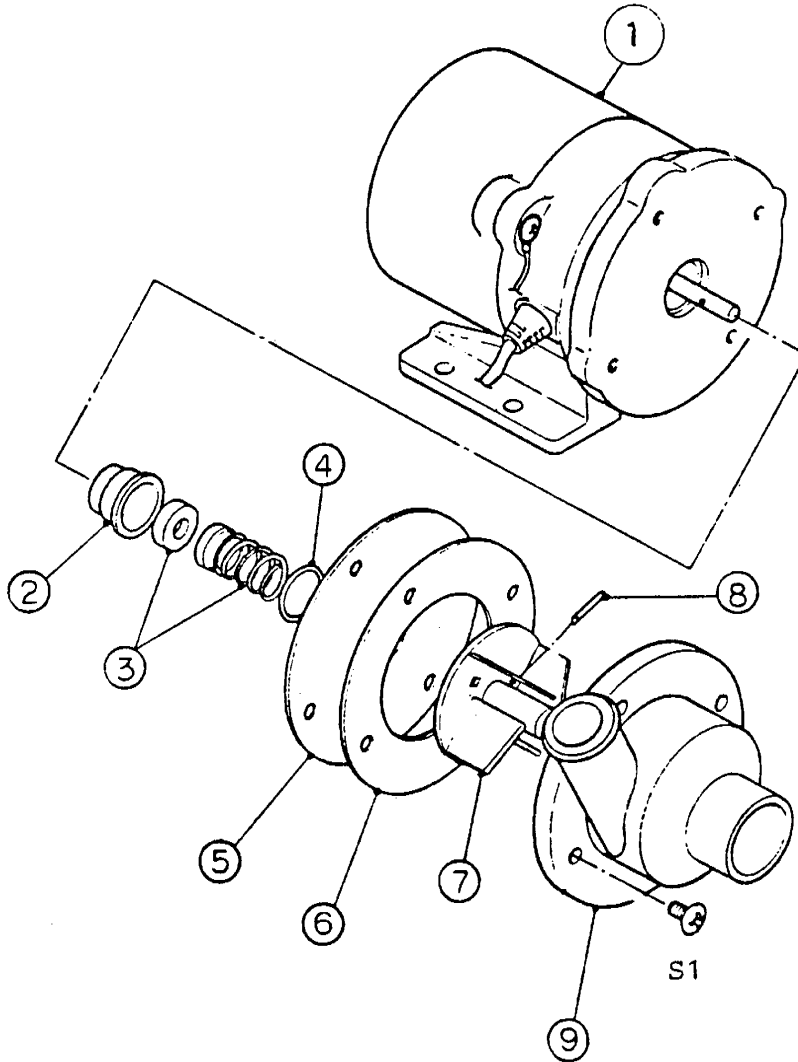
FASTENER

S1 - TRUSS HEAD MACHINE SCREW, STAINLESS, M4x20

HA

MODEL		TITLE			REQ'D NUMBER				
KM-631DU		H. PUMP MOTOR ASSEMBLY							
INDEX NO.	DESCRIPTION	MATERIAL OR MODEL NUMBER	PART NUMBER	REQ'D NUMBER					
				E-1	F-1	F-2	G-1	H-1	
1	Pump Motor	AP-TA4	2U0029-01	1	1	1	1	1	
2	Petainer	S.S	418584-01	1	1	1	1	1	
3	Machanical Seal	H5. PSG	404653-01	1	1	1	1	1	
4	"O" Ring	1AP18	7611-PC18	1	1	1	1	1	
5	Flange - "O" Ring	S.S	403013-01	1	1	1	1	1	
6	Packing	NR	403014-01	1	1	1	1	1	
7	Impeller	ABS	417082-01	1	1	1	1	1	
8	Pin	S.S	414102-01	1	1	1	1	1	
9	Pump Housing	ABS	204451-02	1	1	1	1	1	

E



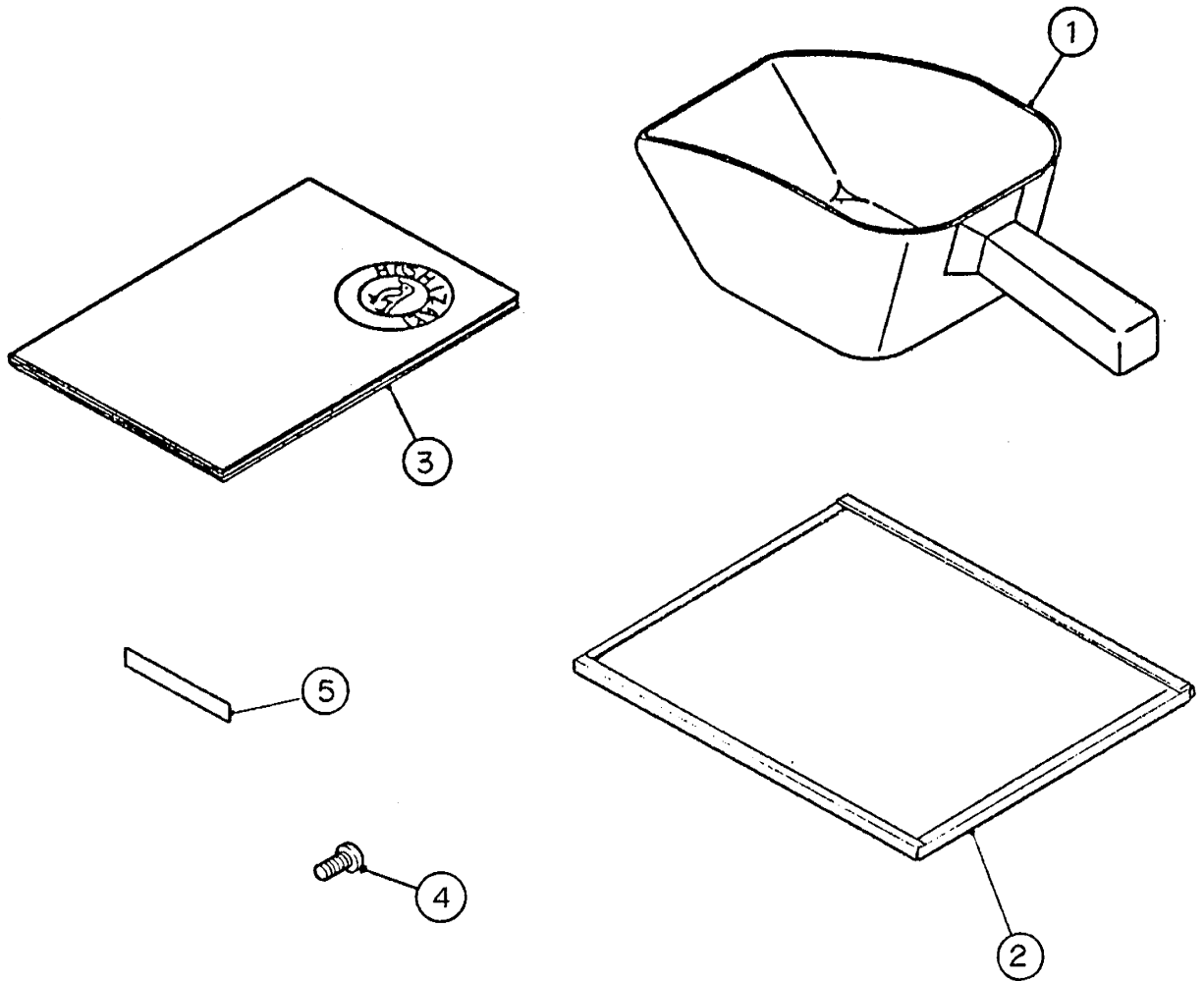
FASTENER

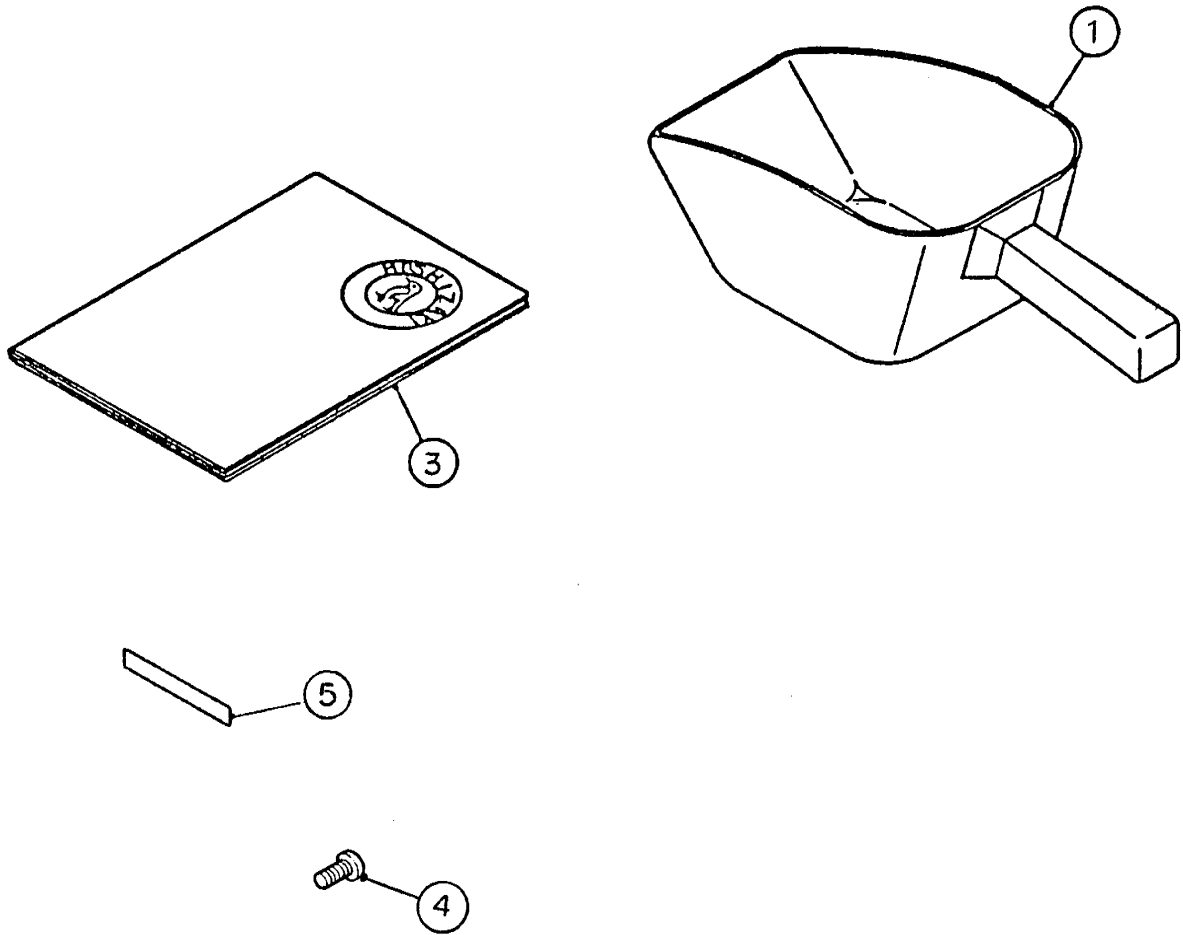
S1 - TRUSS HEAD MACHINE SCREW, STAINLESS, M4x20

MODEL		TITLE						
KM-631DWU		H. PUMP MOTOR ASSEMBLY						
INDEX NO.	DESCRIPTION	MATERIAL OR MODEL NUMBER	PART NUMBER	REQ'D NUMBER				
				E-1	F-1	F-2	G-0	H-1
1	Pump Motor	AP-TA4	2U0029-01	1	1	1	1	1
2	Petainer	S.S	418584-01	1	1	1	1	1
3	Machanical Seal	H5, PS9	404653-01	1	1	1	1	1
4	"O" Ring	1AP18	7611-PC18	1	1	1	1	1
5	Flange - "O" Ring	S.S	403013-01	1	1	1	1	1
6	Packing	NR	403014-01	1	1	1	1	1
7	Impeller	ABS	417082-01	1	1	1	1	1
8	Pin	S.S	414102-01	1	1	1	1	1
9	Pump Housing	ABS	204451-02	1	1	1	1	1

E

MODEL		TITLE						
KM-631DSU		H. PUMP MOTOR ASSEMBLY						
INDEX NO.	DESCRIPTION	MATERIAL OR MODEL NUMBER	PART NUMBER	REQ'D NUMBER				
				E-1	F-1	F-2	G-0	H-1
1	Pump Motor	AP-TA4	2U0029-01	1	1	1	1	1
2	Retainer	S.S	418584-01	1	1	1	1	1
3	Machanical Seal	H5, PSS	404653-01	1	1	1	1	1
4	"O" Ring	1AP18	7611-P018	1	1	1	1	1
5	Flange - "O" Ring	S.S	403013-01	1	1	1	1	1
6	Packing	NR	403014-01	1	1	1	1	1
7	Impeller	ABS	417082-01	1	1	1	1	1
8	Pin	S.S	414102-01	1	1	1	1	1
9	Pump Housing	ABS	204451-02	1	1	1	1	1

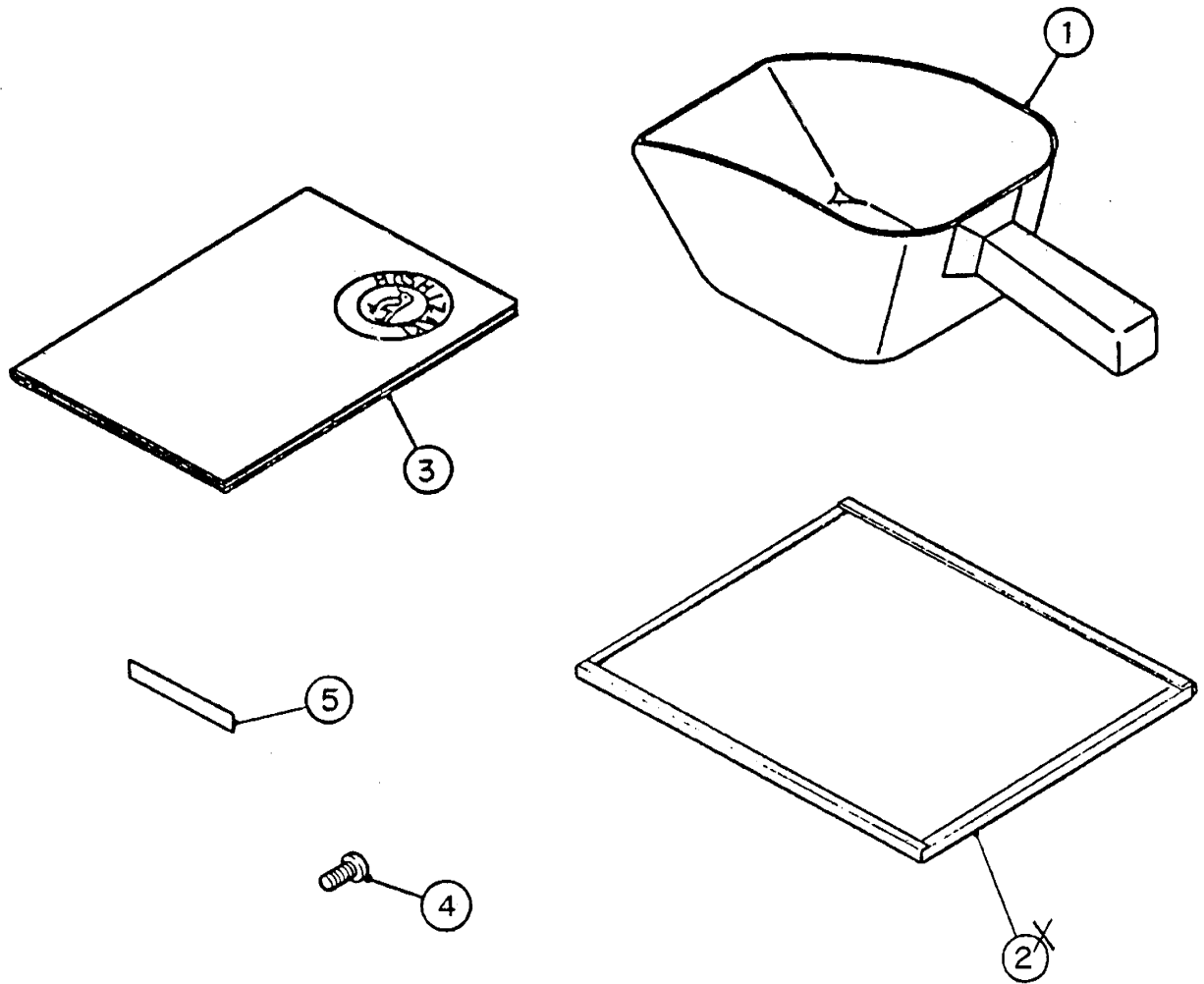


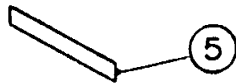
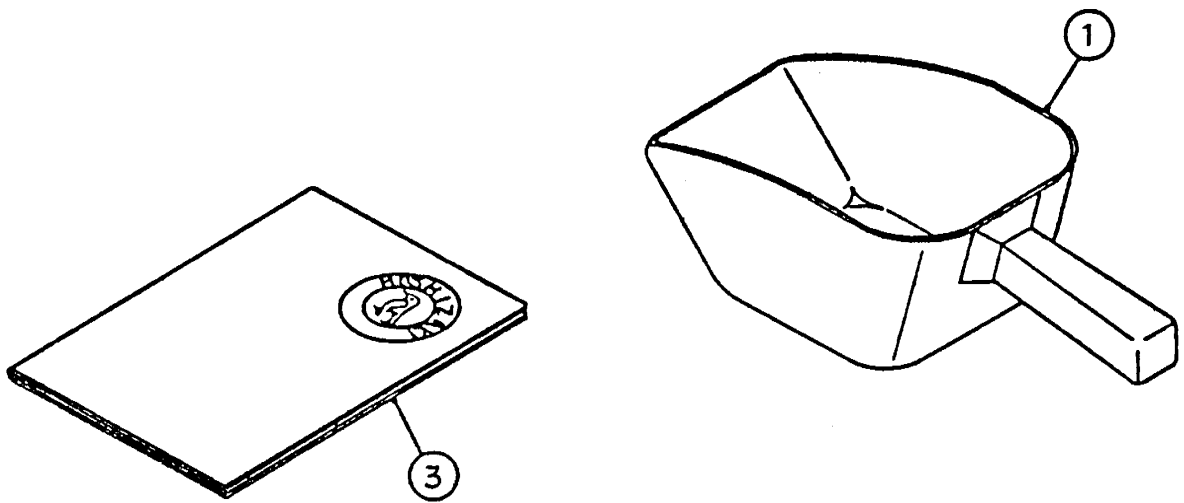


HA

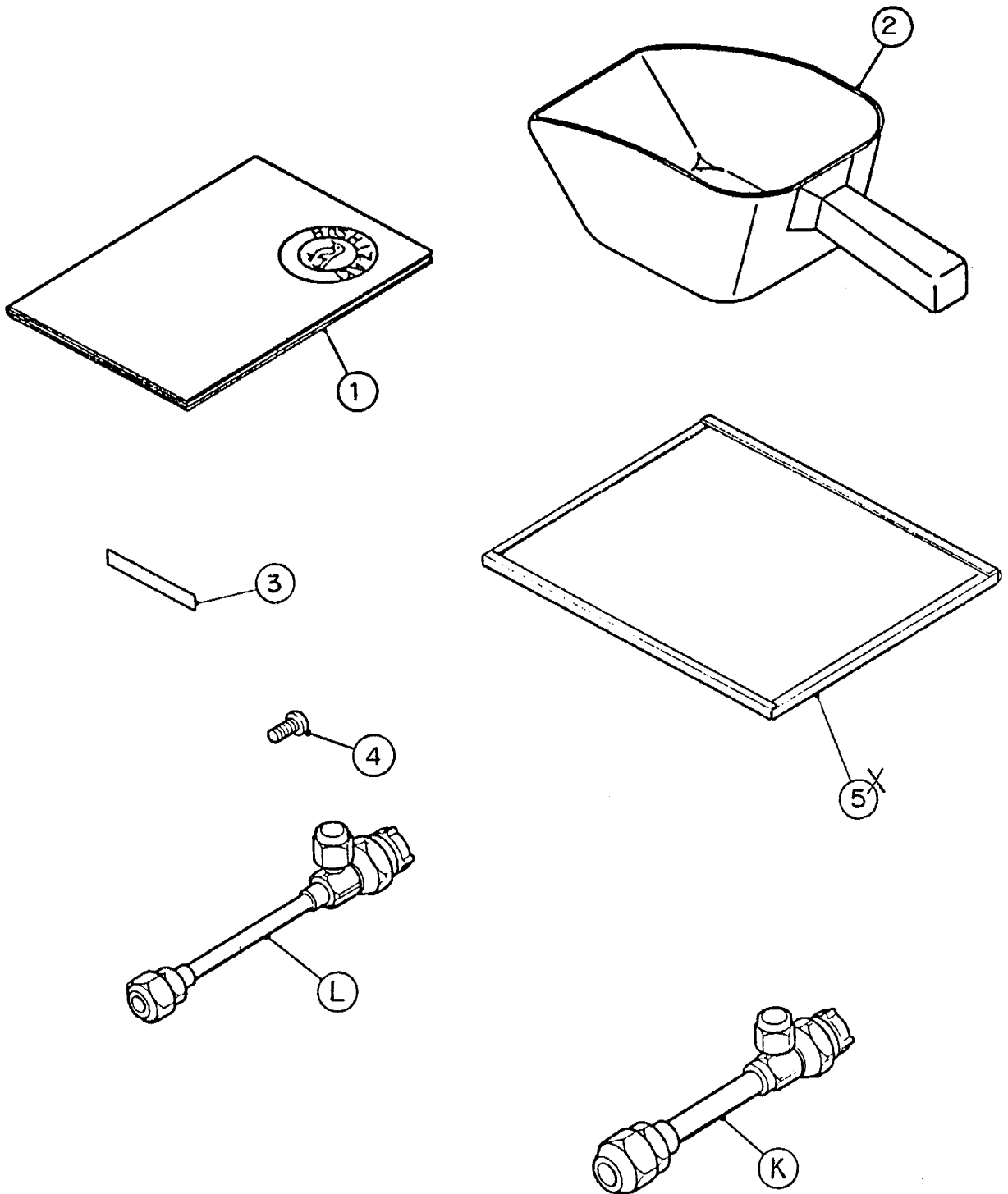
MODEL		TITLE			REQ'D NUMBER				
KM-631DU		J. ACCESSORIES							
INDEX NO.	DESCRIPTION	MATERIAL OR MODEL NUMBER	PART NUMBER	E-1	F-1	F-2	G-1	H-1	
				1	Scoop	PE	208185-01	1	1
2	Top Kit	-	316972G01	1	1	1	-		
3	Instruction Manual	Paper	91U1GD10A	1	-				
			91U1GD10B		1	1	1	1	
4	Fastener - Front Panel	S.S, M4x30	-	1	1	1	1	1	
5	Instruction Sheet - Fastener	Paper	427122-01	1	1	1	1	1	

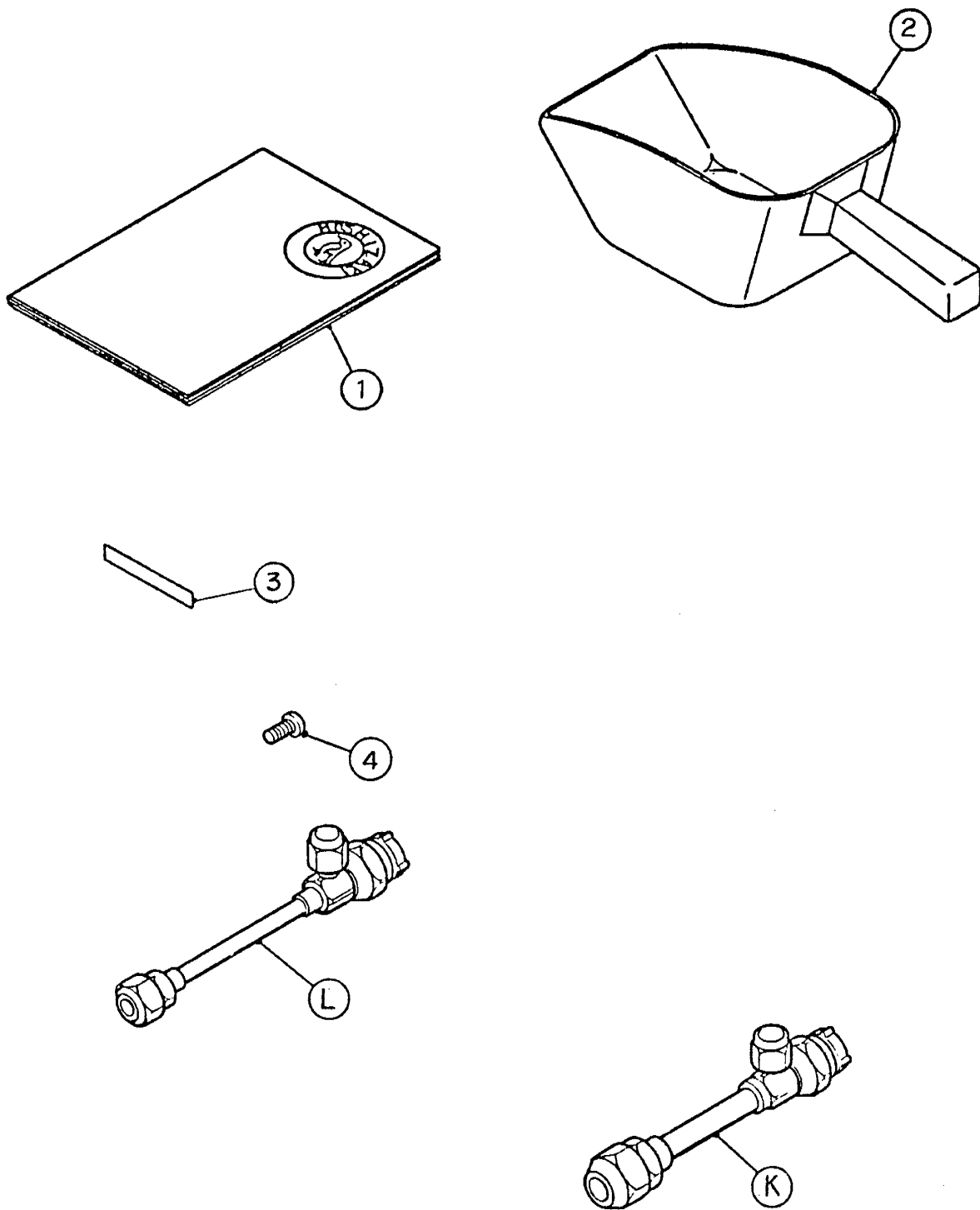
E



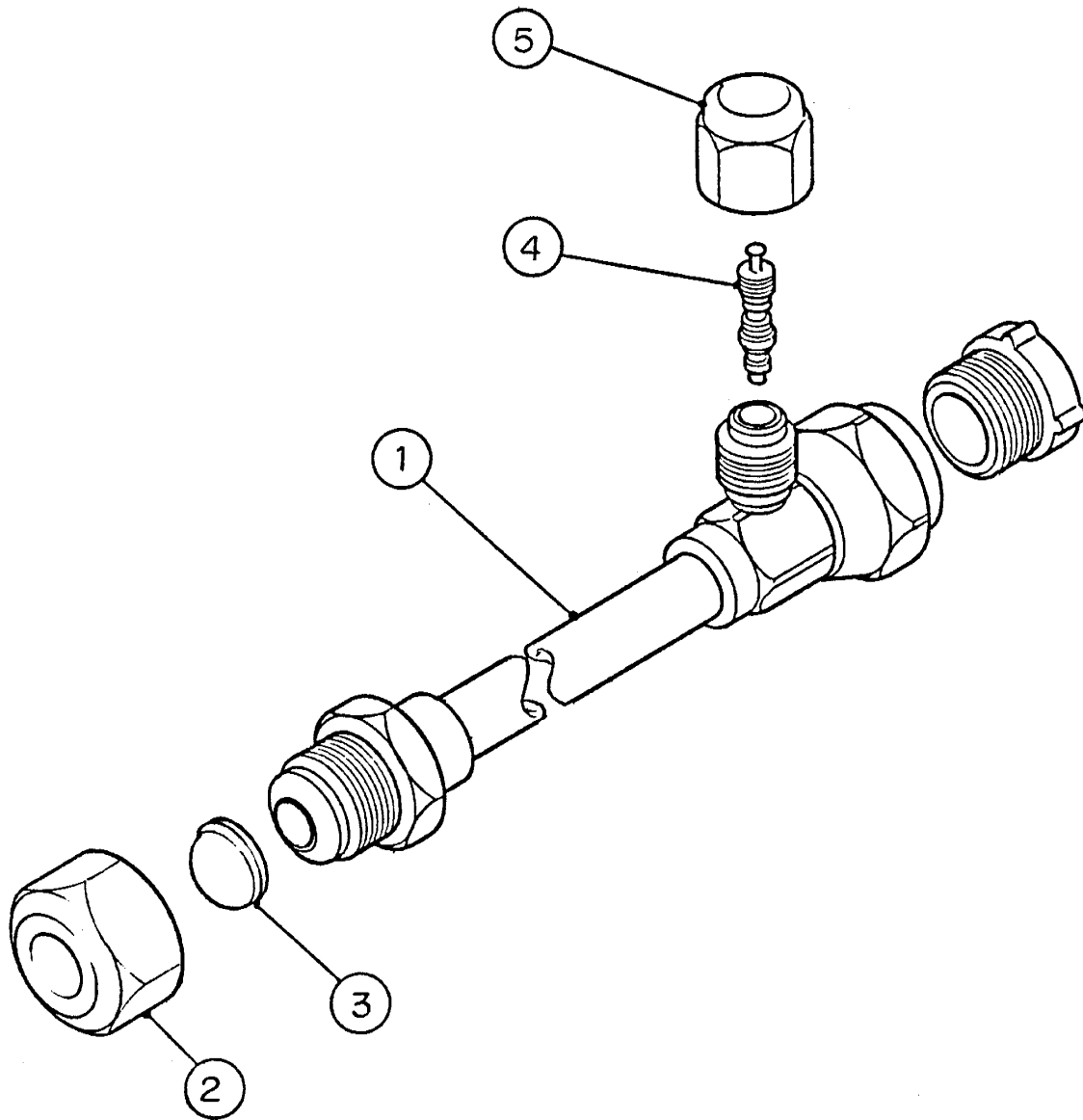


MODEL		TITLE						
KM-631DWU		J. ACCESSORIES						
INDEX NO.	DESCRIPTION	MATERIAL OR MODEL NUMBER	PART NUMBER	REQ'D NUMBER				
				E-1	F-1	F-2	G-0	H-1
1	Scoop	PE	208185-01	1	1	1	1	1
2	Top Kit	-	316972G01	1	1	X		
3	Instruction Manual	Paper	91U1GD10A	1	-			
			91U1GD10B		1	1	1	1
4	Fastener - Front Panel	S.S. M4x30	-	1	1	1	1	1
5	Instruction Sheet - Fastener	Paper	427122-01	1	1	1	1	1





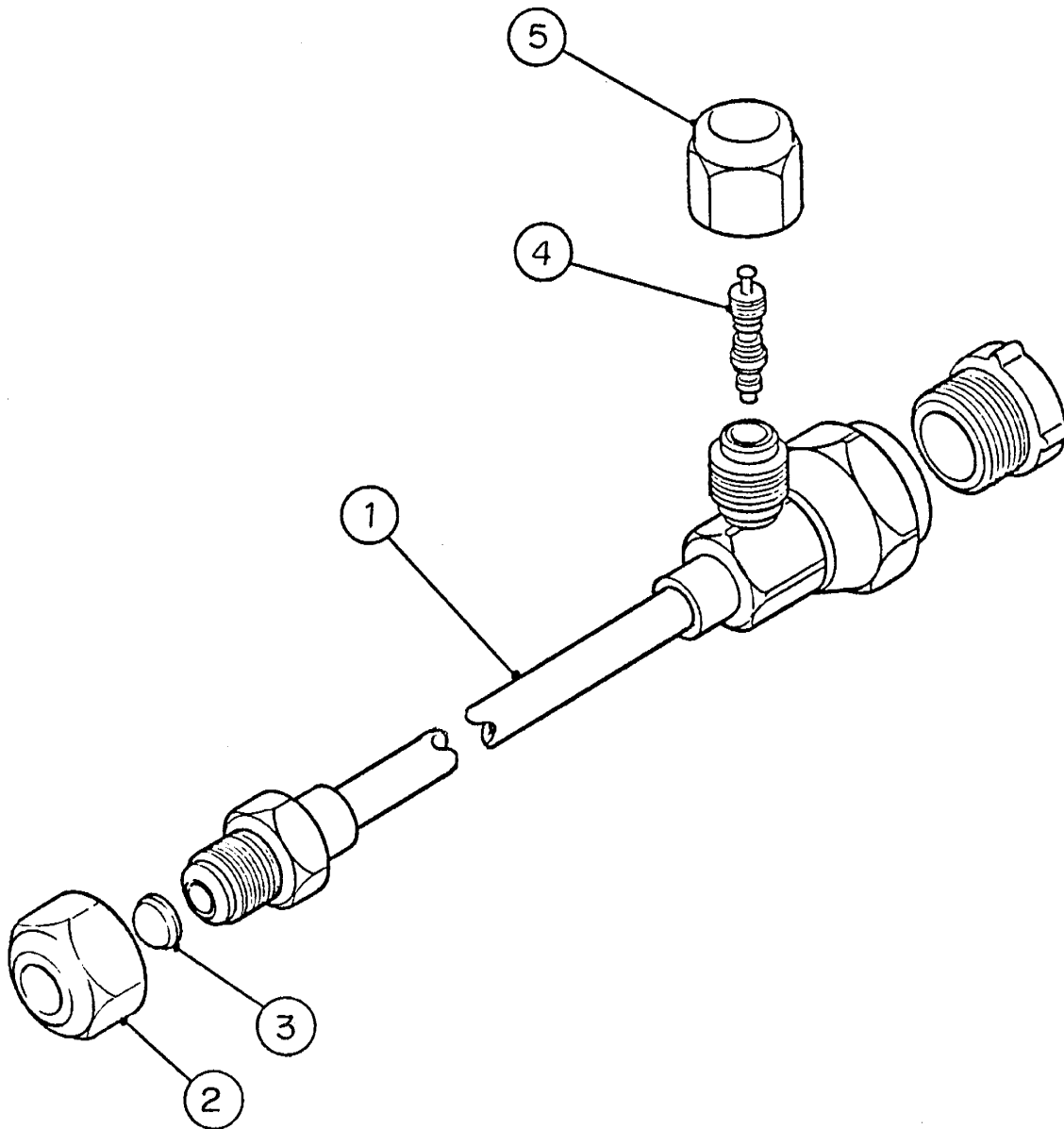
MODEL		TITLE		REQ'D NUMBER				
KM-631DSU		J. ACCESSORIES		E-1	F-1	F-2	G-0	H-1
INDEX NO.	DESCRIPTION	MATERIAL OR MODEL NUMBER	PART NUMBER					
K	FEMALE COUPLING (B)	(S-0372)	421676A01	1	1	-		
		(S-0548)	421676A02			1	1	1
L	FEMALE COUPLING (D)	(S-0373)	421677A01	1	1	-		
		(S-0547)	421677A02			1	1	1
1	Insulation Manual	Paper	91U1GD10A	1	-			
			91U1GD10B		1	1	1	1
2	Scoop	PE	208185-01	1	1	1	1	1
3	Instruction Sheet - Fastener	Paper	427122-01	1	1	1	1	1
4	Fastener - Front Panel	S.S, M4x30	-	1	1	1	1	1
5	Top Kit	-	316972G01	1	1	X		



HA

MODEL		TITLE		REQ'D NUMBER				
KM-631DSU		K. COUPLING (FEMALE)		E-1	F-1	F-2	G-0	H-1
INDEX NO.	DESCRIPTION	MATERIAL OR MODEL NUMBER	PART NUMBER	E-1	F-1	F-2	G-0	H-1
1	Coupling (Female)	-	421675G01	1	1	-		
			421675G02			1	1	1
2	Flare Nut	Brass	403695-01	1	1	1	1	1
3	Cap - Flared	Copper	418295-02	1	1	1	1	1
4	Valve Core	-	421671-01	1	1	1	1	1
5	Cap	Brass	421672-01	1	1	1	1	1

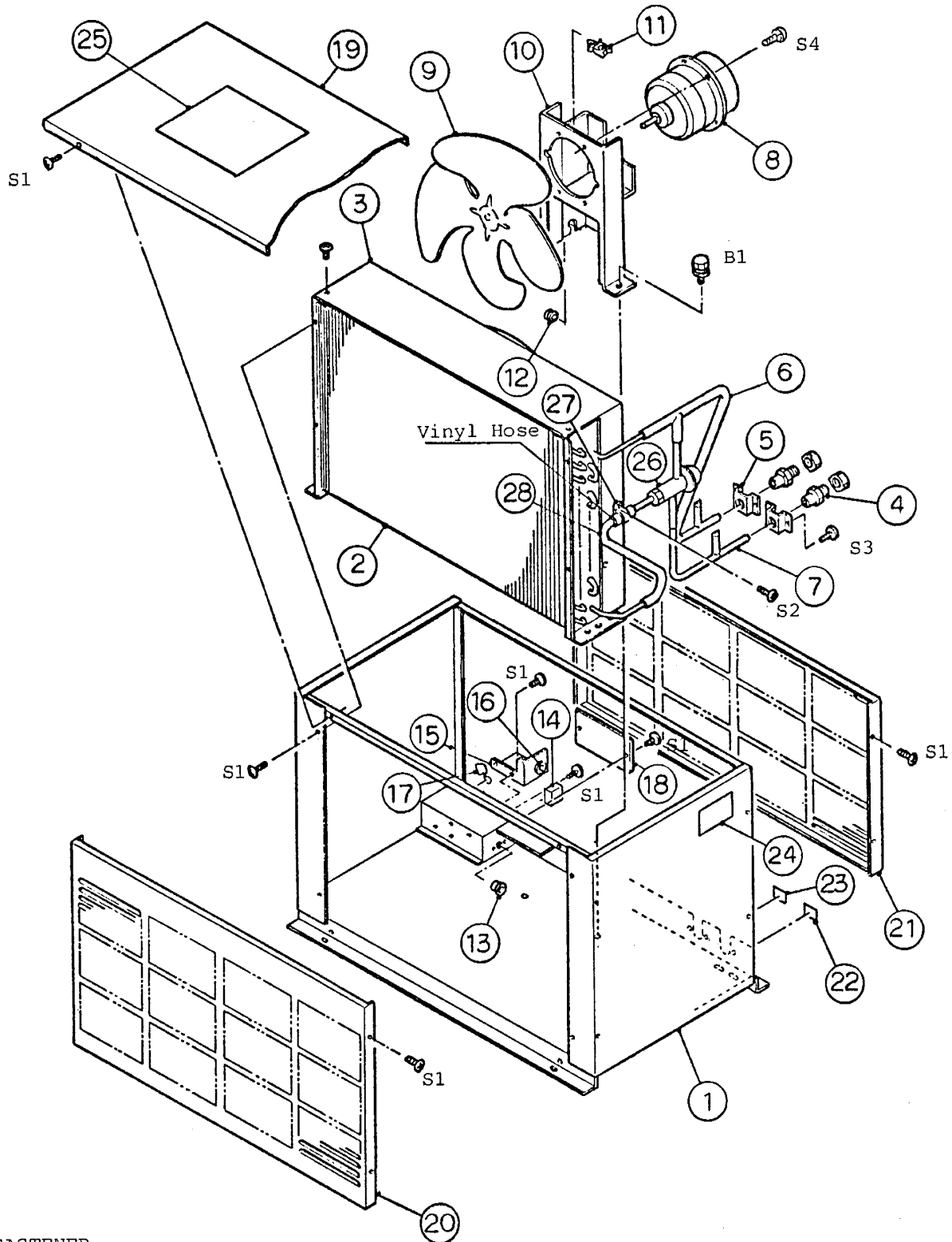
E



HA

MODEL		TITLE		REQ'D NUMBER				
KM-631DSU		L. COUPLING (FEMALE)		E-1	F-1	F-2	G-0	H-1
INDEX NO.	DESCRIPTION	MATERIAL OR MODEL NUMBER	PART NUMBER					
1	Coupling (Female)	-	421673G01	1	1	-		
			421673G02			1	1	1
2	Flare Nut	Brass	419177-01	1	1	1	1	1
3	Cap - Flared	Copper	418295-01	1	1	1	1	1
4	Valve Core	-	421671-01	1	1	1	1	1
5	Cap	Brass	421672-01	1	1	1	1	1

E



FASTENER

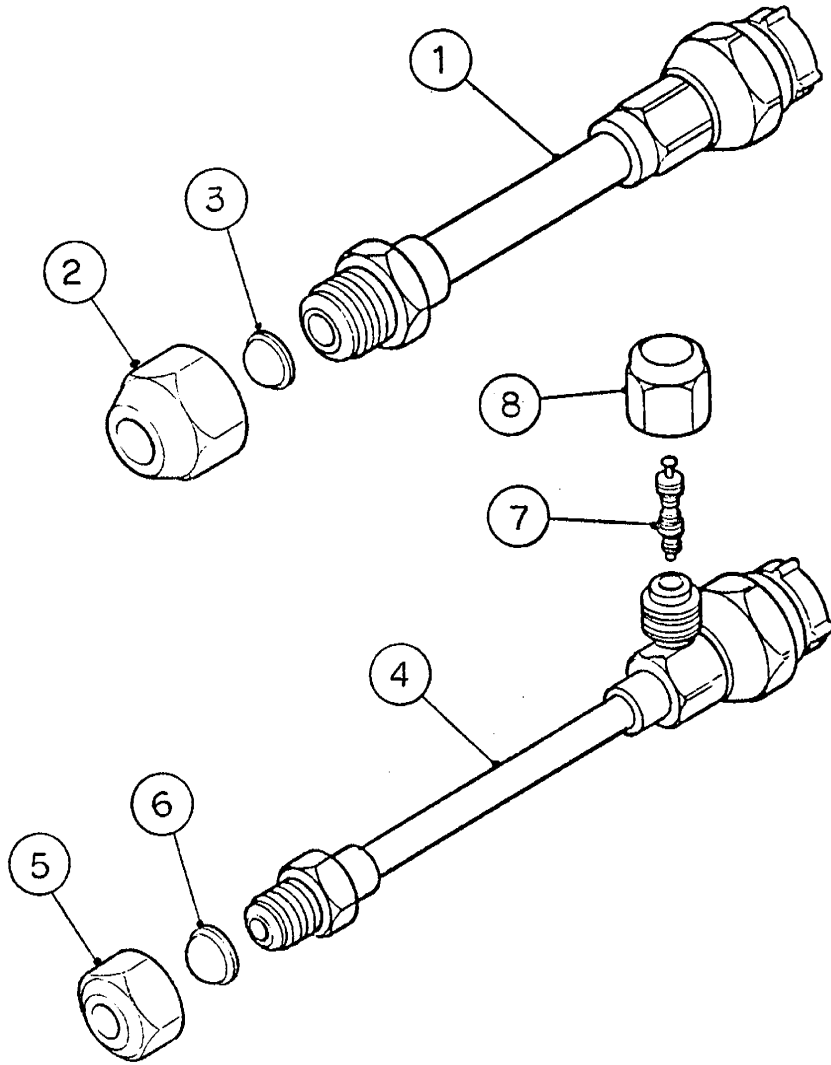
- S1 - TRUSS HEAD TAPPING SCREW, STAINLESS, M4x8
 S2 - TRUSS HEAD MACHINE SCREW, STAINLESS, M4x6
 S3 - TRUSS HEAD MACHINE SCREW, STAINLESS, M4x8
 S4 - PAN HEAD SCREW AND SPRING WASHER + PLAIN WASHER ASSY, STAINLESS, M4x12
 B1 - HEXAGON BOLT AND SPRING WASHER + PLAIN WASHER ASSY, STAINLESS, M5x12

MODEL		TITLE		REQ'D NUMBER				
CONDENSER UNIT S-0466		M. CONDENSER UNIT ASSEMBLY		E-1	F-1	F-2	G-0	H-1
INDEX NO.	DESCRIPTION	MATERIAL OR MODEL NUMBER	PART NUMBER	E-1	F-1	F-2	G-0	H-1
1	Frame - Unit	G.S	318035G02	1	1	1	1	1
2	Condenser - Air-cooled	-	209741-01	1	1	1	1	1
3	Shroud	G.S	209463-01	1	1	X		
			209463-02			①	1	1
4	Coupling (Male)	5782-6-6	426554-01	2	2	2	2	2
5	Bracket	G.S	425507-01	2	2	2	2	2
6	Pipe	Copper	429298G01	1	1	1	1	1
7	Pipe	Copper	429299G01	1	1	-		
			429299-01			1	1	1
8	Fan Motor	IJ40132	2U0064-02	1	1	-		
		EP-TZ56(A)	2U0090-02			1	1	1
9	Fan Blade	320mm	425313-01	1	1	-		
		FW-30PHL	417068-01			1	1	1
10	Bracket - Fan Motor	G.S	318452G01	1	1	1	1	1
11	Wire Saddle	LWS-2NS	428060-03	2	2	X		
		WS-2NS	427007-02			②	2	2
12	Bushing	OCB-750	428394-01	1	1	1	1	1
13	Bushing	SB-625-8	420470-01	1	1	1	1	1
14	Capacitor - Fan Motor	6 μ F, 220V	427076-01	1	1	X		
		6 μ F, 220V	431928-01			①	1	1
15	Barrier	G.S	428539-01	1	1	1	1	1
16	Bushing	SR-4K-4	420472-01	1	1	1	1	1
17	Tag - Fan Motor Leads	Paper	420742-01	1	1	1	1	1
18	Cover - Box	G.S	425986-02	1	1	1	1	1
19	Top Panel	G.S	425985-01	1	1	1	1	1
20	Louver - Unit	G.S	209464-02	1	1	1	1	1
21	Louver - Unit	G.S	209465-01	1	1	1	1	1
22	Label - Arrow, "OUT"	PETP Film	420743-01	1	1	1	1	1
23	Label - Arrow, "IN"	PETP Film	420743-02	1	1	1	1	1
24	Nameplate	PES Film	430479-01	1	1	1	1	1
25	Instruction Sheet - Inst. Ope.	Paper	209769-01	1	1	1	1	1

HA

MODEL		TITLE		REQ'D NUMBER				
CONDENSER UNIT S-0466		M. CONDENSER UNIT ASSEMBLY		E-1	F-1	F-2	G-0	H-1
INDEX NO.	DESCRIPTION	MATERIAL OR MODEL NUMBER	PART NUMBER	E-1	F-1	F-2	G-0	H-1
26	Condensing Pressure Regulator	DBC-Y30-HD-1	428637-01	1	1	1	1	1
27	Strap	G.S	416877-01	1	1	1	1	1
28	Pipe	Copper	429300-01	1	1	1	1	1

E



HA

MODEL		TITLE		REQ'D NUMBER				
CONDENSER UNIT S-0466		N. ACCESSORIES		E-1	F-1	F-2	G-0	H-1
INDEX NO.	DESCRIPTION	MATERIAL OR MODEL NUMBER	PART NUMBER	REQ'D NUMBER				
				E-1	F-1	F-2	G-0	H-1
1	Coupring (Felale)	} (S-0371) 421648A01	421674G01	1	1	1	1	1
2	Flare Nut		403695-01	1	1	1	1	1
3	Cap - Flared		418295-02	1	1	1	1	1
4	Coupling (Felale)	} (S-0373) 421677A01	421673G01	1	1	1	1	1
5	Flare Nut		419177-01	1	1	1	1	1
6	Cap - Flared		418295-01	1	1	1	1	1
7	Valve Core		421671-01	1	1	1	1	1
8	Cap		421672-01	1	1	1	1	1

E

MODULAR CRESCENT CUBER

**MODEL
KM-631 SERIES
FINAL**

PARTS LIST

ISSUED: SEP. 29, 1986

REVISED: JAN. 17, 1989

PRINTED: FEB. 28, 1996

ITEM NO: 71055