



**HOSHIZAKI  
MODULAR CRESCENT CUBER**

**MODEL**

**KM-630MAE-E**

**KM-630MWE-E**

**KM-630MRE-E**

**PARTS LIST**

## MATERIAL ABBREVIATIONS

### ALUMINUM

AL = Aluminum

### COPPER

CU = Copper

### PLASTIC

ABS = Acrylonitrile -butadiene - styrene  
 AC = Polyacetal  
 EVA = Ethylene vinyl acetate  
 PA = Polyamide = Nylon  
 PC = Polycarbonate  
 PE = Polyethylene  
 PES = Polyester  
 PETP = Polyethylene terephthalate = Tetlon  
 PP = Polypropylene  
 PS = Polystyrene  
 PIFE = Polytetrafluoroethylene = Teflon  
 PUR = Polyurethane  
 PVC = Polyvinyl chloride

### RUBBER

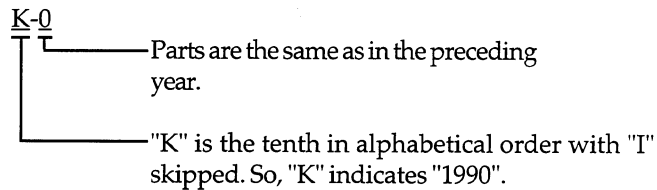
VN = Vinyl Nitrile  
 EPDM = EP rubber  
 NBR = Nitrile butadiene rubber  
 NR = Natural rubber  
 NP = Neoprene  
 SI.R = Silicone rubber  
 SY.R = Synthetic rubber  
 EPH = Epichlorohydrin

### STEEL

G.S = Galvanized steel  
 S.S = Stainless steel  
 PS = Plated steel  
 PAS = Primed steel

## AUXILIARY CODE

Ex.1

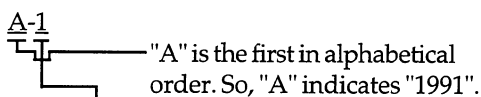


(Note) - = Part deleted.

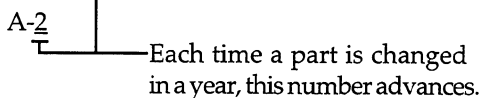
x = Part deleted and replaced by "o" part.

o = New part for "x" in the same auxiliary code.

Ex.2

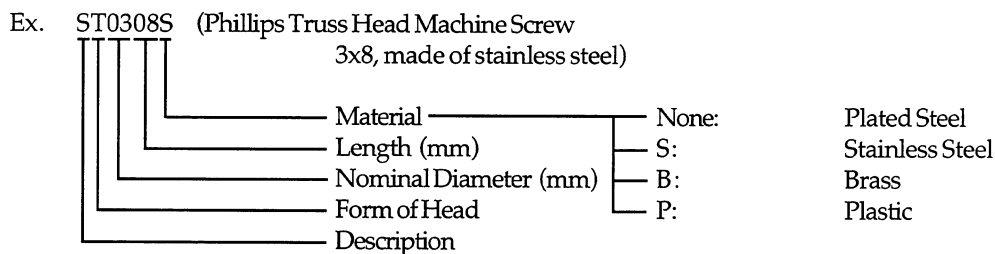


Ex.3



## FASTENER ABBREVIATION LIST

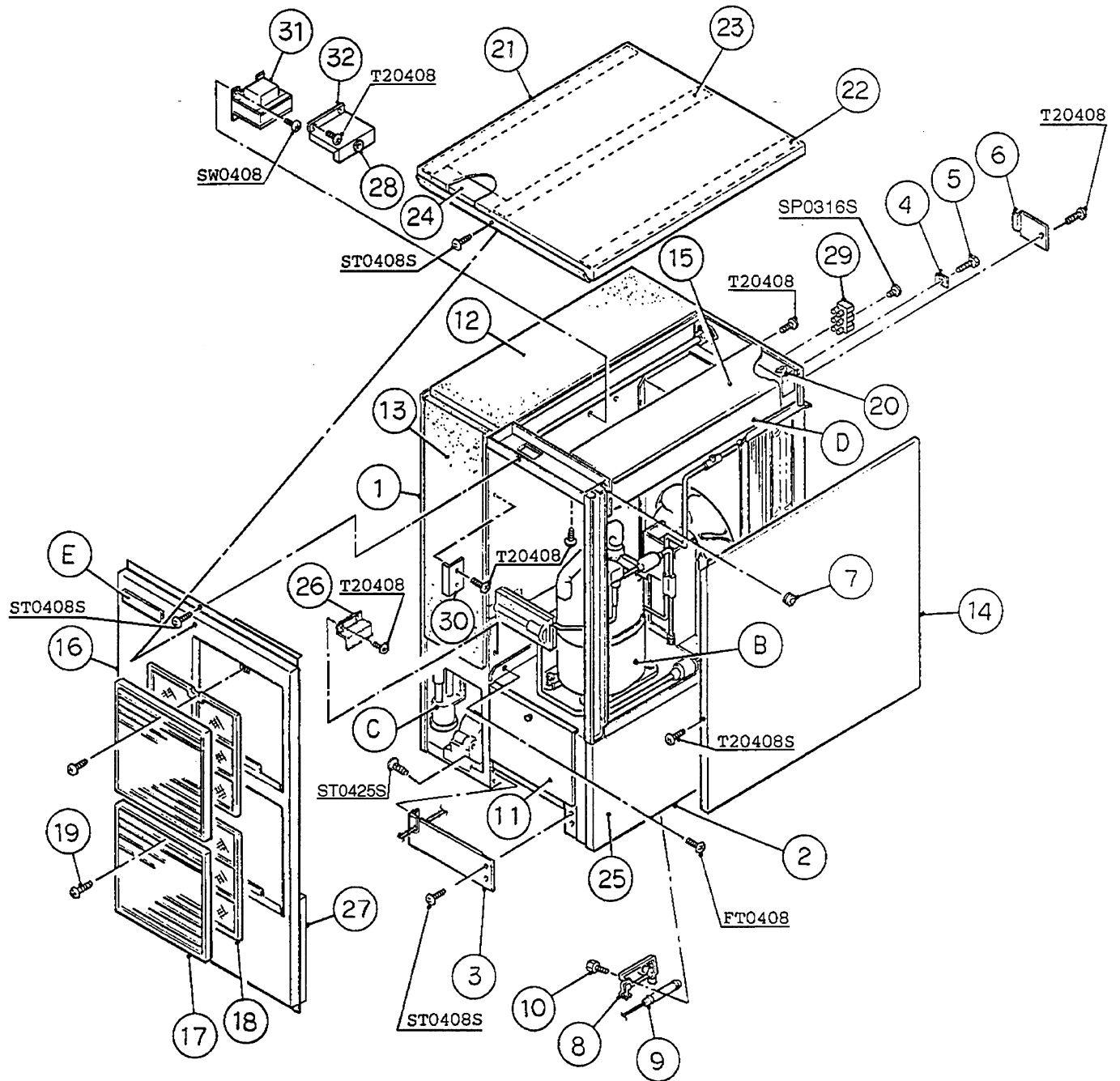
ST	Phillips Truss Machine Screw
SP	Phillips Pan Head Machine Screw
SF	Phillips Flat Head Machine Screw
SS	Phillips Pan Head Machine Screw with Split Lock Washer
SW	Phillips Pan Head Machine Screw with Split Lock Washer and Flat Washer
T1	Phillips Truss Head Tapping Screw (Correspond to Type A)
T2	Phillips Truss Head Tapping Screw (Correspond to Type B)
T3	Phillips Truss Head Tapping Screw (Correspond to Type C)
FT	Phillips Truss Head Tapping Screw (Special)
BH	Hexagon Head Bolt
BC	Socket Head Cap Screw
BS	Hexagon Bolt with Split Washer
BW	Hexagon Bolt with Split Washer and Flat Washer
BF	Hexagon Flange Bolt
BR	Cross-Recessed Hexagon Head Bolt
BRW	Cross-Recessed Hexagon Head Bolt with Split Lock Washer and Flat Washer
WL	Split Lock Washer
WT	External Tooth Washer
WF	Flat Washer
WS	Spring Washer
NH	Hexagon Nut
NF	Hexagon Flange Nut
NC	Hexagon Cap Nut
NS	Square Nut
NW	Wing Nut



(Note) Second character is numerical except toe list.

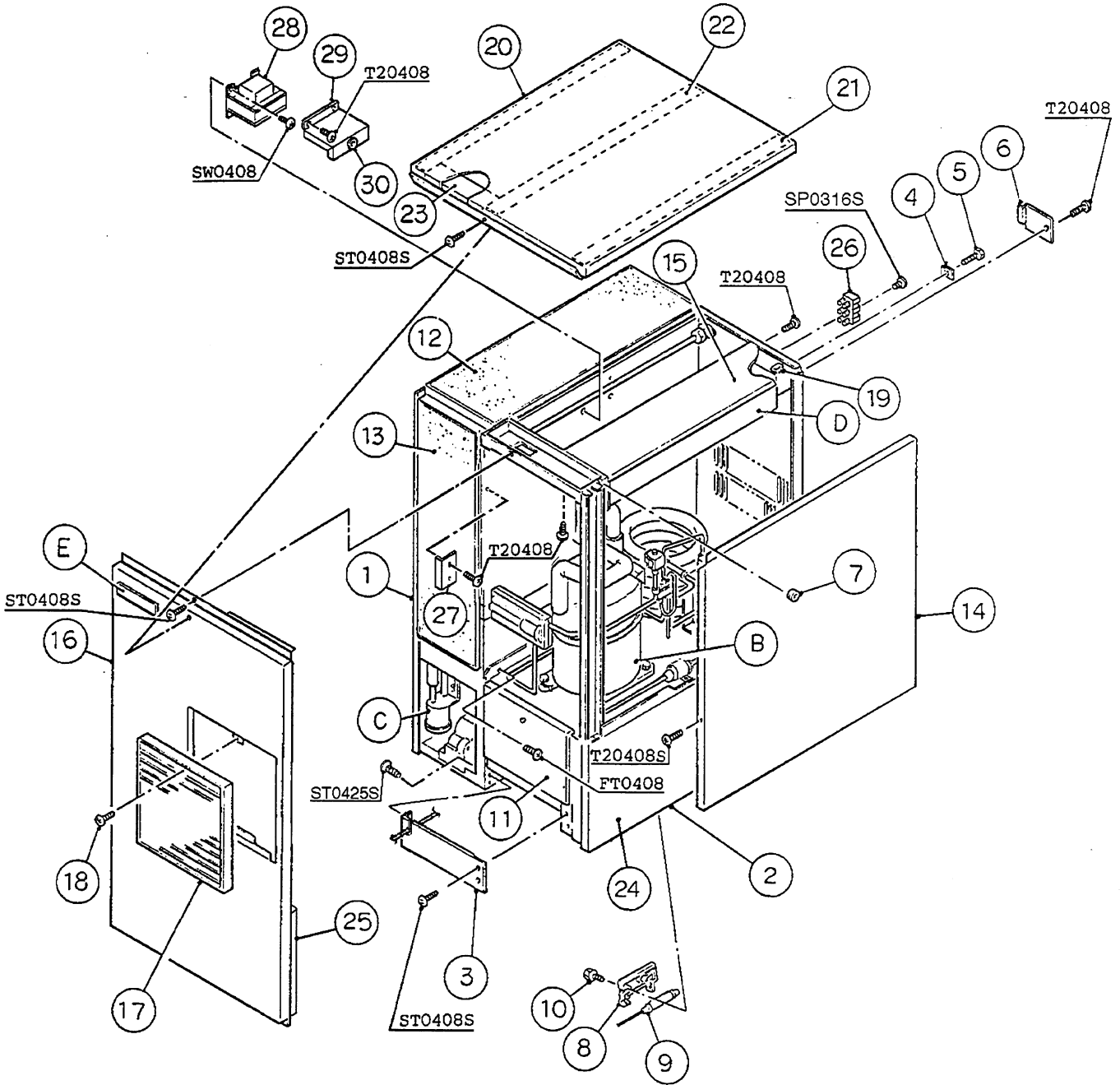
Ex. S1, S2, B3 etc.

And abbreviations and names are shown under the illustration.



MODEL: KM-630MAE-E		TITLE: A. ICE CUBER ASSEMBLY								
INDEX NO.	DESCRIPTION	MATERIAL OR MODEL NUMBER	PART NUMBER	REQUIRED NUMBER						
				G-0						
B	REFRIGERATION CIRCUIT	-	106004A04	1						
C	WATER CIRCUIT	-	2A0971A01	1						
D	CONTROL BOX ASSEMBLY	-	2A0830A01	1						
E	LABEL LOCATION	-	3A0843A01	1						
1	EVAP. CASE	-	2A0143G03	1						
2	BASE	-	2A0119G11	1						
3	FRAME	ABS	3A0217G01	1						
4	SQUARE WASHER	BRASS	433537-02	1						
5	SCREW - GROUNDING	BRASS	433304-02	1						
6	JUNCTION BOX COVER	G.S	4A0882-01	1						
7	BUSHING	EP RUBBER	425307-01	1						
8	BULB HOLDER	PE	328919-01	1						
9	SPACER	PE	443545-01	2						
10	THUMBSCREW	S.S, ABS	415949G03	2						
11	BASE COVER	S.S	321525G01	1						
12	TOP INSULATION	PP, PUR	215730G01	1						
13	FRONT INSULATION	PP, PUR	215731G02	1						
14	SIDE PANEL (R)	S.S	211811G02	1						
15	CONTROL BOX COVER	G.S	322009G02	1						
16	FRONT PANEL	S.S	2A0594G01	1						
17	LOUVER (B)	-	103121-03	2						
18	AIR FILTER (B)	-	208283G03	2						
19	TAPPING SCREW ( BLACK)	STEEL, 4 x 8	433954-01	2						
20	BUSHING	SR-30-1	420472-03	1						
21	TOP PANEL	(324859A04) S.S	2A0593-01	1						
22	GASKET	PVC	427014-04	2						
23	GASKET (A)	PVC	324859-03	1						
24	INSULATION	PE FOAM	438012-01	1						
25	SIDE PANEL (R) BASE	S.S	212620-01	1						
26	BARRIER	G.S	4A0352-01	1						

MODEL: KM-630MAE-E TITLE: A. ICE CUBER ASSEMBLY									
INDEX NO.	DESCRIPTION	MATERIAL OR MODEL NUMBER	PART NUMBER	REQUIRED NUMBER					
				G-0					
27	FRONT COVER	P.S	2A0182-01	1					
28	BUSHING	OCB-500	428394-02	1					
29	TERMINAL BLOCK	PA 44 - 3 WP	4A1026-01	1					
30	BARRIER - INSULATION	G.S	4A1167-01	1					
31	TRANSFORMER	PY12-19204	446202-01	1					
32	TRANSFORMER COVER	G.S	446359-01	1					

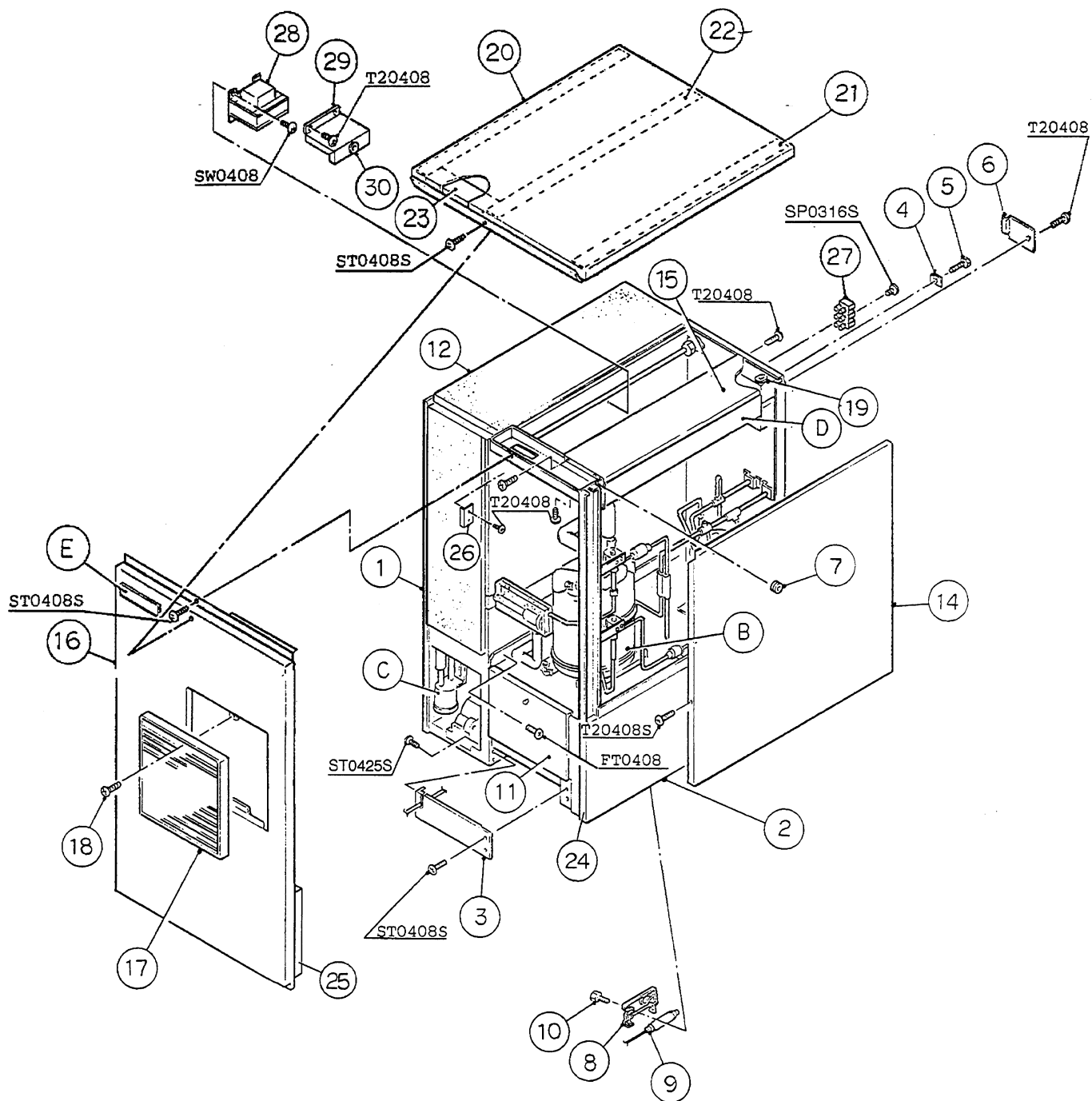


MODEL: KM-630MWE-E TITLE: A. ICE CUBER ASSEMBLY									
INDEX NO.	DESCRIPTION	MATERIAL OR MODEL NUMBER	PART NUMBER	REQUIRED NUMBER					
				G-0					
B	REFRIGERATION CIRCUIT	-	106005A03	1					
C	WATER CIRCUIT	-	2A0971A01	1					
D	CONTROL BOX ASSEMBLY	-	2A0830A02	1					
E	LABEL LOCATION	-	3A0842A01	1					
1	EVAP. CASE	-	2A0143G03	1					
2	BASE	-	2A0119G12	1					
3	FRAME	ABS	3A0217G01	1					
4	SQUARE WASHER	BRASS	433537-02	1					
5	SCREW - GROUNDING	BRASS	433304-02	1					
6	JUNCTION BOX COVER	G.S	4A0882-01	1					
7	CAPILLARY RING	EP RUBBER	425307-01	2					
8	BULB HOLDER	PE	328919-01	1					
9	SPACER	PE	443545-01	2					
10	THUMBSCREW	S.S, ABS	415949G03	2					
11	BASE COVER	S.S	321525G01	1					
12	TOP INSULATION	PP, PUR	215730G01	1					
13	FRONT INSULATION	PP, PUR	215731G02	1					
14	SIDE PANEL (R)	S.S	211811G02	1					
15	CONTROL BOX COVER	G.S	322009G02	1					
16	FRONT PANEL	S.S	2A0595G01						
17	LOUVER (B)	-	103121-03	1					
18	TAPPING SCREW ( BLACK)	STEEL, 4 x 8	433954-01	1					
19	BUSHING	SR-30-1	420472-03	1					
20	TOP PANEL	(324859A04) S.S	2A0593-01	1					
21	GASKET	PVC	427014-04	2					
22	GASKET (A)	PVC	324859-03	1					
23	INSULATION	PE FOAM	438012-01	1					
24	SIDE PANEL (R) BASE	S.S	212620-01	1					
25	FRONT COVER	P.S	2A0182-01	1					
26	TERMINAL BLOCK	PA 44 - 3 WP	4A1026-01						



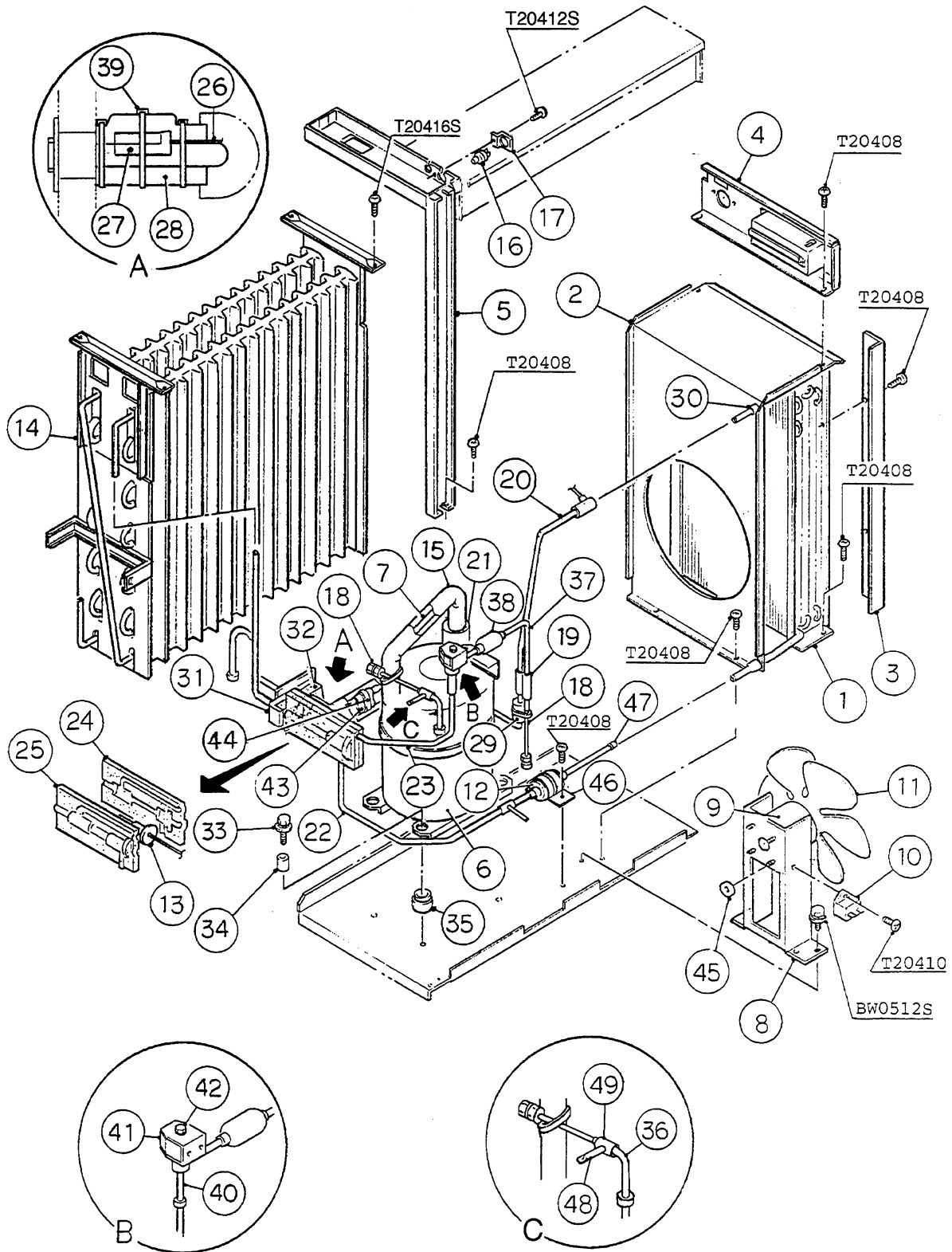
HA

MODEL: <b>KM-630MWE-E</b> TITLE: <b>A. ICE CUBER ASSEMBLY</b>									
INDEX NO.	DESCRIPTION	MATERIAL OR MODEL NUMBER	PART NUMBER	REQUIRED NUMBER					
				G-0					
27	BARRIER - INSULATION	G.S	4A1167-01	1					
28	TRANSFORMER	PY12-19204	446202-01	1					
29	TRANSFORMER COVER	G.S	446359-01	1					
30	BUSHING	OCB-500	428394-02	1					



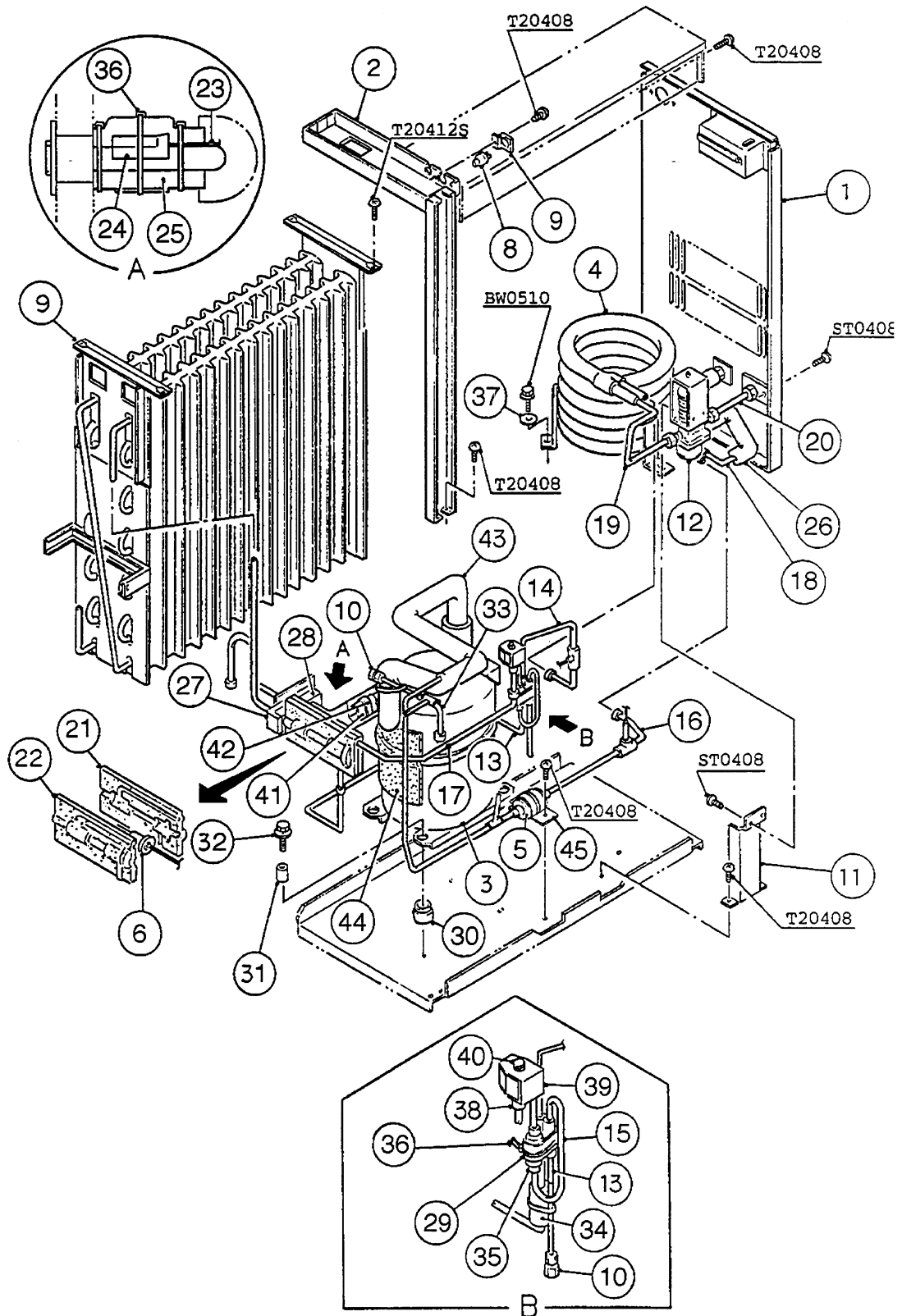
MODEL: <b>KM-630MRE-E</b> TITLE: <b>A. ICE CUBER ASSEMBLY</b>									
INDEX NO.	DESCRIPTION	MATERIAL OR MODEL NUMBER	PART NUMBER	REQUIRED NUMBER					
				G-0					
B	REFRIGERATION CIRCUIT	-	106006A03	1					
C	WATER CIRCUIT	-	2A0971A01	1					
D	CONTROL BOX ASSEMBLY	-	2A0830A02	1					
E	LABEL LOCATION	-	3A0857A01	1					
1	EVAP. CASE	-	104404G03	1					
2	BASE	-	2A0119G13	1					
3	FRAME	S.S	3A0217G01	1					
4	SQUARE WASHER	BRASS	433537-02	2					
5	SCREW - GROUNDING	BRASS	433304-02	2					
6	JUNCTION BOX COVER	G.S	4A0882-01	2					
7	BUSHING	EP RUBBER	425307-01	2					
8	BULB HOLDER	ABS, PE	328919-01	1					
9	SPACER	PE	443545-01	2					
10	THUMBSCREW	S.S, ABS	415949G03	2					
11	BASE COVER	S.S	321525G01	1					
12	TOP INSULATION	PP, PUR	215730G01	1					
13	FRONT INSULATION	PP, PUR	215731G02	1					
14	SIDE PANEL (R)	S.S	211811G02	1					
15	CONTROL BOX COVER	G.S	322009G02	1					
16	FRONT PANEL	S.S	2A0595G01	1					
17	LOUVER (B)	-	103121-03	1					
18	TAPPING SCREW ( BLACK)	STEEL, 4 x 8	433954-01	1					
19	BUSHING	SR-30-1	420472-03	2					
20	TOP PANEL	(324859A04) S.S	2A0593-01	1					
21	GASKET	PVC	427014-04	2					
22	GASKET (A)	PVC	324859-03	1					
23	INSULATION	PE FOAM	438012-01	1					
24	SIDE PANEL (R) BASE	S.S	212620-01	1					
25	FRONT COVER	P.S	2A0182-01	1					
26	BARRIER - INSULATION	G.S	4A1167-01	1					

MODEL: <b>KM-630MRE-E</b> TITLE: <b>A. ICE CUBER ASSEMBLY</b>										
INDEX NO.	DESCRIPTION	MATERIAL OR MODEL NUMBER	PART NUMBER	REQUIRED NUMBER						
				G-0						
27	TERMINAL BLOCK	PA 44 - 3 WP	4A1026-01	1						
28	TRANSFORMER	PY12-19204	446202-01	1						
29	TRANSFORMER COVER	G.S	446359-01	1						
30	BUSHING	OCB-500	428394-02	1						



MODEL: KM-630MAE-E TITLE: B. REFRIGERATION CIRCUIT									
INDEX NO.	DESCRIPTION	MATERIAL OR MODEL NUMBER	PART NUMBER	REQUIRED NUMBER					
				G-0					
1	CONDENSER	-	218912-01	1					
2	SHROUD	G.S	212217-01	1					
3	BARRIER	G.S	433693-02	1					
4	REAR PANEL	G.S	3A0775G01	1					
5	FRAME	G.S	321515G08	1					
6	COMPRESSOR	-	446001-01	1					
7	COPPER TUBE (B) - LOW SIDE	COPPER	218085-01	1					
8	FAN MOTOR BRACKET	G.S	327180-01	1					
9	FAN MOTOR	U90B1, 7190-1031	440911-01	1					
10	CAPACITOR	2.5 $\mu$ f, 250V	446206-01	1					
11	FAN BLADE	AD10CW32	444898-01	1					
12	DRIER	C-0325-S	445007-01	1					
13	EXPANSION VALVE	HFE-1.0HHD-2	443305-02	1					
14	EVAPORATOR	-	106396G01	1					
15	INSULATION TUBE	L=480	7762-2030	1					
16	PRESSURE SWITCH	ACB-2UB04	433441-05	1					
17	PRESSURE SWITCH BRACKET	G.S	434578-01	1					
18	ACCESS VALVE	TCJ-2F15-HD	417366-01	2					
19	COPPER TUBE (A) - HIGH SIDE	COPPER	332756G01	1					
20	COPPER TUBE (B) - HIGH SIDE	COPPER	332757G01	1					
21	INSULATION TUBE	L=380	7762-2646	1					
22	COPPER TUBE (E) - HIGH SIDE	COPPER	329422G01	1					
23	COPPER TUBE - LOW SIDE	COPPER	322121G01	1					
24	EXPANSION VALVE COVER (A)	PE FOAM	321425-01	1					
25	EXPANSION VALVE COVER (B)	PE FOAM	321425-02	1					
26	THERMISTOR	-	429006-03	1					
27	HOLDER - THERMISTOR	COPPER	427430-01	1					
28	INSULATION - THERMISTOR	PE FOAM	427441-01	1					
29	INSULATION TUBE	L=40	7762-1020	2					
30	BUSHING	OCB-625	428394-03	1					

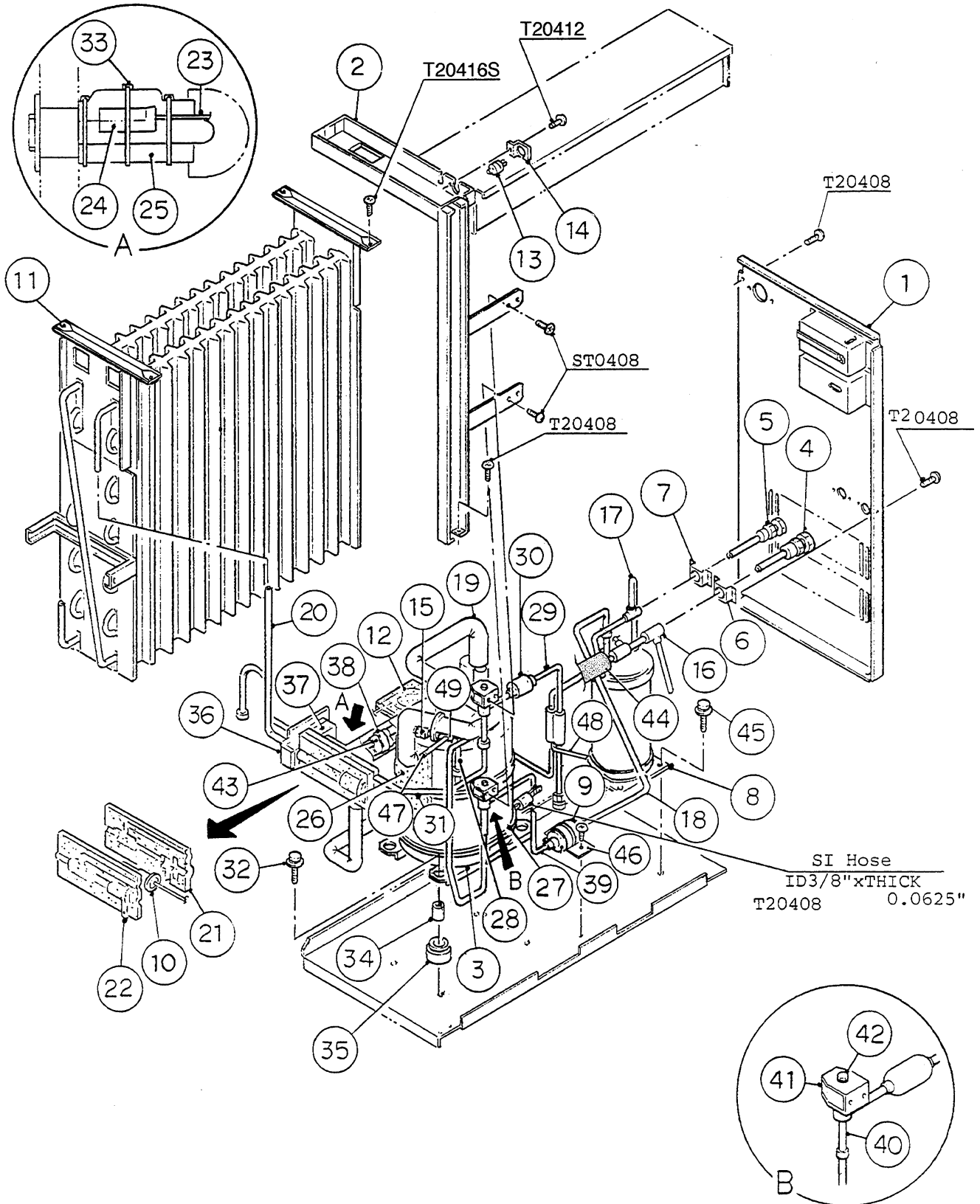
MODEL: <b>KM-630MAE-E</b> TITLE: <b>B. REFRIGERATION CIRCUIT</b>									
INDEX NO.	DESCRIPTION	MATERIAL OR MODEL NUMBER	PART NUMBER	REQUIRED NUMBER					
				G-0					
31	RUBBER TUBE (A)	EPDM	321424-01	1					
32	INSULATION	PE FOAM	433695-01	1					
33	BOLT	8 x 45	437889-01	4					
34	SPACER	027-0072-02	434404-01	4					
35	GROMMET	027-0073-00	434403-01	4					
36	COPPER TUBE - ACCESS VALVE	COPPER	4A1247-01	1					
37	COPPER TUBE (B) - HOT GAS	COPPER	434201-01	1					
38	STRAINER	-	441569-02	1					
39	CABLE TIE	CV-200	7920-0010	3					
40	VALVE BODY	70	440352-01	1					
41	COIL - VALVE	ABS-25-1-HD-2	440353-01	1					
42	BOLT	4 x 6	440353F01	1					
43	HOLDER / EXPANSION VALVE - 3/8	S.S	3A0107-01	1					
44	CLAMP	S.S	443461-02	1					
45	SELF-LOCKING NUT	S.S	7N21I0832	4					
46	DRIER BRACKET	G.S	4A0807-01	1					
47	COPPER TUBE (F) - HIGH SIDE	COPPER	4A1108-01	1					
48	EVACUATION TUBE	COPPER	4A1212-01	1					
49	TEE	COPPER	436000-13	1					





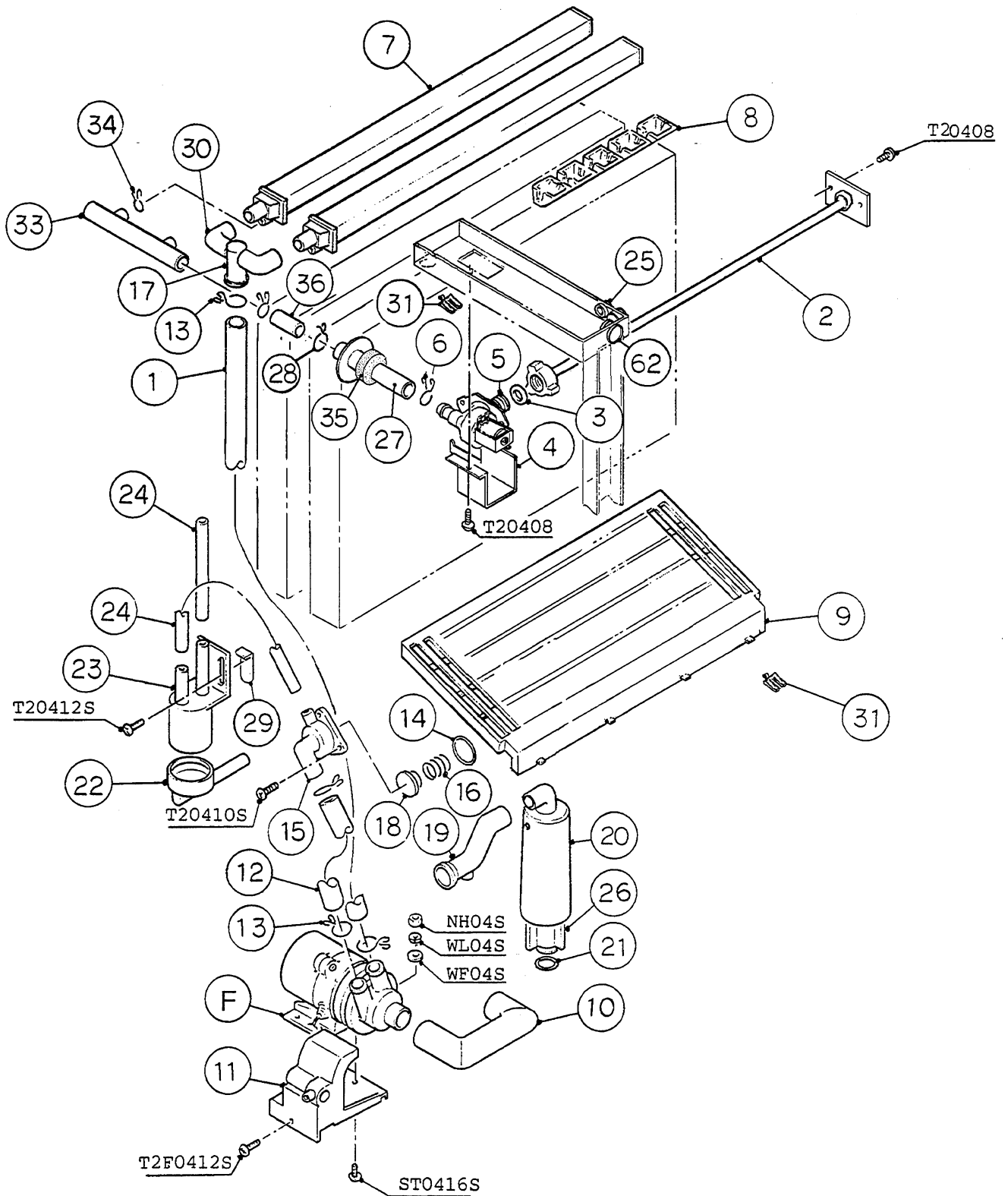
MODEL: <b>KM-630MWE-E</b>		TITLE: <b>B. REFRIGERATION CIRCUIT</b>								
INDEX NO.	DESCRIPTION	MATERIAL OR MODEL NUMBER	PART NUMBER	REQUIRED NUMBER						
				G-0						
1	REAR PANEL	G.S	2A0833G01	1						
2	FRAME	G.S	321515G09	1						
3	COMPRESSOR	-	446001-01	1						
4	CONDENSER - WATER-COOLED	-	212929-03	1						
5	DRIER	C-0325-S	445007-01	1						
6	EXPANSION VALVE	HFE-1.0HHD-2	443305-02	1						
7	EVAPORATOR	-	106396G01	1						
8	PRESSURE SWITCH	ACB-2UB02	433441-01	1						
9	PRESSURE SWITCH BRACKET	G.S	434578-01	1						
10	ACCESS VALVE	TCJ-2F15-HD	417366-01	2						
11	WATER REGULATOR BRACKET	G.S	433701-01	1						
12	WATER - REGULATOR	WV11-33RHD	415425-01	1						
13	COPPER TUBE (A) - HIGH SIDE	COPPER	322802G01	1						
14	COPPER TUBE (C) - HIGH SIDE	COPPER	435486G01	1						
15	COPPER TUBE (A) - HOT GAS	COPPER	435252-01	1						
16	COPPER TUBE (B) - HIGH SIDE	COPPER	435485G01	1						
17	COPPER TUBE - LOW SIDE	COPPER	322113G01	1						
18	COPPER TUBE (A) - WATER CIRCUIT	COPPER	4A0784G01	1						
19	COPPER TUBE (B) - WATER CIRCUIT	COPPER	323941-01	1						
20	COPPER TUBE (C) - WATER CIRCUIT	COPPER	4A0783G01	1						
21	EXPANSION VALVE COVER (A)	PE FOAM	321425-01	1						
22	EXPANSION VALVE COVER (B)	PE FOAM	321425-02	1						
23	THERMISTOR	-	429006-03	1						
24	HOLDER - THERMISTOR	COPPER	427430-01	1						
25	INSULATION - THERMISTOR	PE FOAM	427441-01	1						
26	INSULATION TUBE		7762-1323	2						
27	RUBBER TUBE (A)	EPDM	321424-01	1						
28	INSULATION	PE FOAM	433695-01	1						
29	INSULATION TUBE	L=150	7762-1020	1						
30	GROMMET	027-0073-00	434403-01	4						
31	SPACER	027-0072-02	434404-01	4						

MODEL: <b>KM-630MWE-E</b> TITLE: <b>B. REFRIGERATION CIRCUIT</b>									
INDEX NO.	DESCRIPTION	MATERIAL OR MODEL NUMBER	PART NUMBER	REQUIRED NUMBER					
				G-0					
32	BOLT	8 x 45	437889-01	4					
33	COPPER TUBE - ACCESS VALVE	COPPER	434176-01	1					
34	INSULATION TUBE	L=40	7762-1020	1					
35	STRAINER	-	441569-01	1					
36	CABLE TIE	CV-200	7920-0010	4					
37	WASHER	S.S	4A0655-03	3					
38	VALVE BODY	24	440351-01	1					
39	COIL - VALVE	ADS-24HD-2	440355-01	1					
40	BOLT	M4 x 0.7	440355F01	1					
41	HOLDER / EXPANSION VALVE - 3/8	S.S	3A0107-01	1					
42	CLAMP	S.S	443461-02	1					
43	HEAT EXCHANGER	-	220700G01	1					
44	INSULATION SHEET	PE FOAM	4A0366-01	1					
45	DRIER BRACKET	G.S	4A0807-01	1					



MODEL: <b>KM-630MRE-E</b>		TITLE: <b>B. REFRIGERATION CIRCUIT</b>								
INDEX NO.	DESCRIPTION	MATERIAL OR MODEL NUMBER	PART NUMBER	REQUIRED NUMBER						
				G-0						
1	REAR PANEL	G.S	2A0949G01	1						
2	FRAME	G.S	321515G10	1						
3	COMPRESSOR	-	446001-01	1						
4	COUPLING	COPPER	434136G01	1						
5	COUPLING	COPPER	433751G01	1						
6	TUBE HOLDER (L)	G.S	438245-01	1						
7	TUBE HOLDER (S)	G.S	438246-01	1						
8	RECEIVER TANK	RR KN	437596-01	1						
9	DRIER	C-0325-S	445007-01	1						
10	EXPANSION VALVE	HFE-1.0HHD-2	443305-02	1						
11	EVAPORATOR	-	106396G01	1						
12	INSULATION - CAPILLARY	PE FOAM	444472-01	2						
13	PRESSURE SWITCH	ACB-2UB04	433441-05	1						
14	PRESSURE SWITCH BRACKET	G.S	434578-01	1						
15	ACCESS VALVE	TCJ-2F15-HD	417366-01	1						
16	COPPER TUBE - HIGH SIDE	COPPER	322120G01	1						
17	COPPER TUBE (D) - HIGH SIDE	COPPER	324837G01	1						
18	COPPER TUBE (C) - HIGH SIDE	COPPER	438004-01	1						
19	HEAT EXCHANGER	COPPER	218748G01	1						
20	COPPER TUBE - LOW SIDE	COPPER	322121G01	1						
21	EXP. VALVE COVER (A)	PE FOAM	321425-01	1						
22	EXP. VALVE COVER (B)	PE FOAM	321425-02	1						
23	THERMISTOR	-	429006-03	1						
24	HOLDER - THERMISTOR	COPPER	427430-01	1						
25	INSULATION - THERMISTOR	PE FOAM	427441-01	1						
26	INSULATION - SHEET	PE FOAM	4A0366-01	1						
28	COPPER TUBE - ACCESS VALVE	COPPER	4A1247-01	1						
29	COPPER TUBE (B) - HOT GAS	COPPER	434201-01	1						
30	STRAINER	-	441569-02	1						
31	COPPER TUBE (C) - HOT GAS	COPPER	434202-01	1						
32	BOLT	8 x 45	437889-01	4						

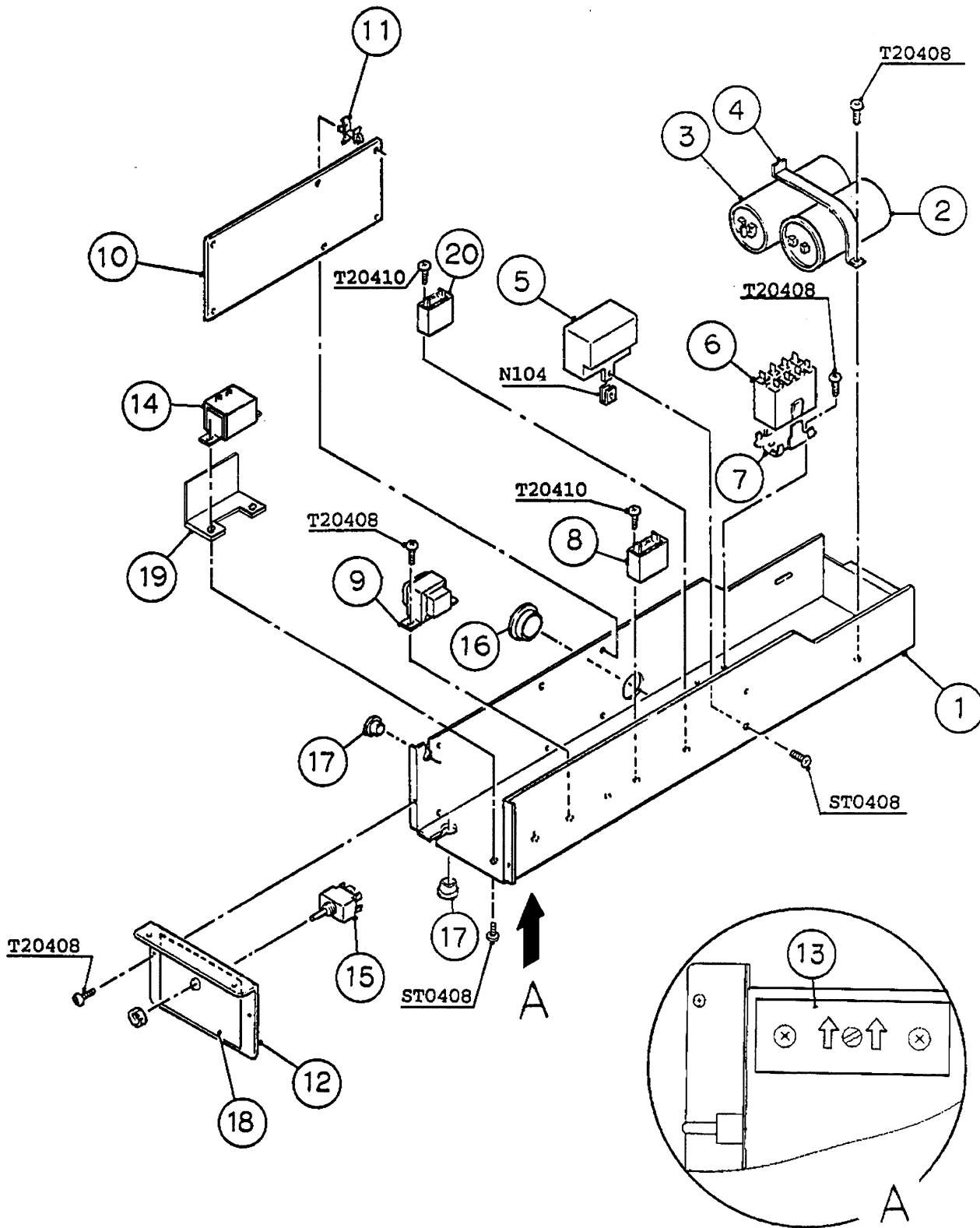
MODEL: <b>KM-630MRE-E</b>		TITLE: <b>B. REFRIGERATION CIRCUIT</b>								
INDEX NO.	DESCRIPTION	MATERIAL OR MODEL NUMBER	PART NUMBER	REQUIRED NUMBER						
				G-0						
33	CABLE TIE	CV-200	7920-0010	3						
34	SPACER	027-0072-02	434404-01	4						
35	GROMMET	527-0039-04	434403-01	4						
36	RUBBER TUBE (A)	(433694A01) EPDM	321424-01	1						
37	INSULATION	PE FOAM	433695-01	1						
38	CLAMP	S.S	443461-01	1						
39	COPPER TUBE (E) - HIGH SIDE	COPPER	325140-01	1						
40	VALVE BODY	70	440352-01	2						
41	COIL - VALVE	ABS-25-1-HD-2	440353-01	2						
42	BOLT	4x6	440353F01	2						
43	HOLDER / EXP. VALVE - 3/8	S.S	3A0107-01	1						
44	INSULATION TUBE	L=40	7762-1020	1						
45	HEX HEAD BOLT WWASHER	-	7B0130510	4						
46	DRIER BRACKET	G.S	4A0807-01	1						
47	EVACUATION TUBE	COPPER	4A1212-01	1						
48	EVACUATION TUBE	COPPER	4A1224-01	1						
49	TEE	COPPER	436000-13	1						



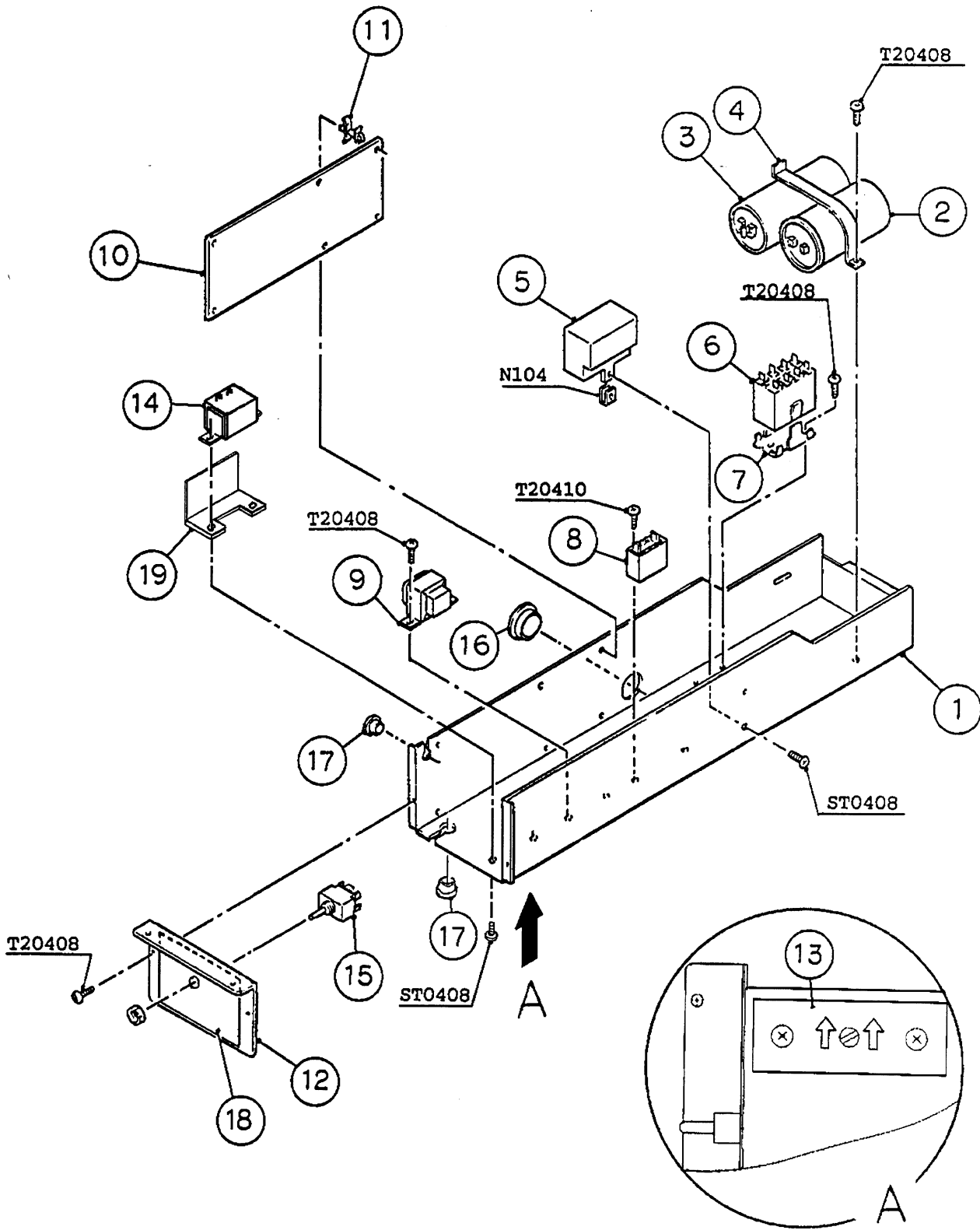
MODEL: KM-630MAE-E, MWE-E, MRE-E					TITLE: C. WATER CIRCUIT					
INDEX NO.	DESCRIPTION	MATERIAL OR MODEL NUMBER	PART NUMBER	REQUIRED NUMBER						
				G-0						
F	PUMP MOTOR ASSEMBLY	(HS-0102)	321444A03	1						
1	VINYL HOSE	L=785	7716-2025	1						
2	WATER SUPPLY PIPE	COPPER	4A0768G06	1						
3	RUBBER GASKET	SI.R	413854-03	1						
4	WATER VALVE BRACKET	G.S	3A0736-01	1						
5	WATER VALVE	V 19	4A1176-01	1						
6	HOSE CLAMP	S.S, 18 mm	427443-05	1						
7	SPRAY TUBE	PE	433520G01	2						
8	SPRAY GUIDE (A)	PE	208586-01	6						
9	CUBE GUIDE	ABS	212088-01	1						
10	SUCTION HOSE	EPDM	433466-01	1						
11	PUMP MOTOR BRACKET	PC	211408-01	1						
12	VINYL HOSE	L=110	7716-2025	1						
13	HOSE CLAMP	S.S, 25 mm	427443-03	6						
14	"O" RING	1AG35	7611-G035	1						
15	VALVE HOUSING - DRAIN	ABS	321001-01	1						
16	SPRING	S.S	3A0875-01	1						
17	DISTRIBUTOR	ABS	432820-01	1						
18	VALVE SHEET	EPDM	433705-01	1						
19	DRAIN HOSE	SANTOPRENE	433468-01	1						
20	OVERFLOW CAP	PE	321002-01	1						
21	"O"RING	1AP32	4A1234-01	1						
22	CONNECTOR - FLOAT SWITCH	EPDM	426799-01	1						
23	FLOAT SWITCH	163795	4A0886-01	1						
24	VINYL HOSE	L=140	7716-0913	2						
25	BUSHING	OCB-500	428394-02	1						
26	OVERFLOW PIPE	ABS	430722-01	1						
27	CONNECTING PIPE	SANTOPRENE	4A1142-02	1						
28	HOSE CLAMP	S.S, 20 mm	427443-06	1						
29	FLOAT SWITCH STOP	S.S	446358-01	1						
30	ELBOW	EPDM	433467-01	2						

MODEL: <b>KM-630MAE-E</b> TITLE: <b>C. WATER CIRCUIT</b>									
INDEX NO.	DESCRIPTION	MATERIAL OR MODEL NUMBER	PART NUMBER	REQUIRED NUMBER					
				G-0					
31	WIRE SADDLE	VWS-4238-C	4A0338-02	2					
32	BUSHING	OCB-750	428394-01	2					
33	DISTRIBUTOR HOSE	EPDM	439374-01	1					
34	HOSE CLAMP	S.S, 13.5 mm.	427443-07	2					
35	INSULATION (E)	PE	4A0392-01	1					
36	JOINT PIPE	ABS	439329-01	1					

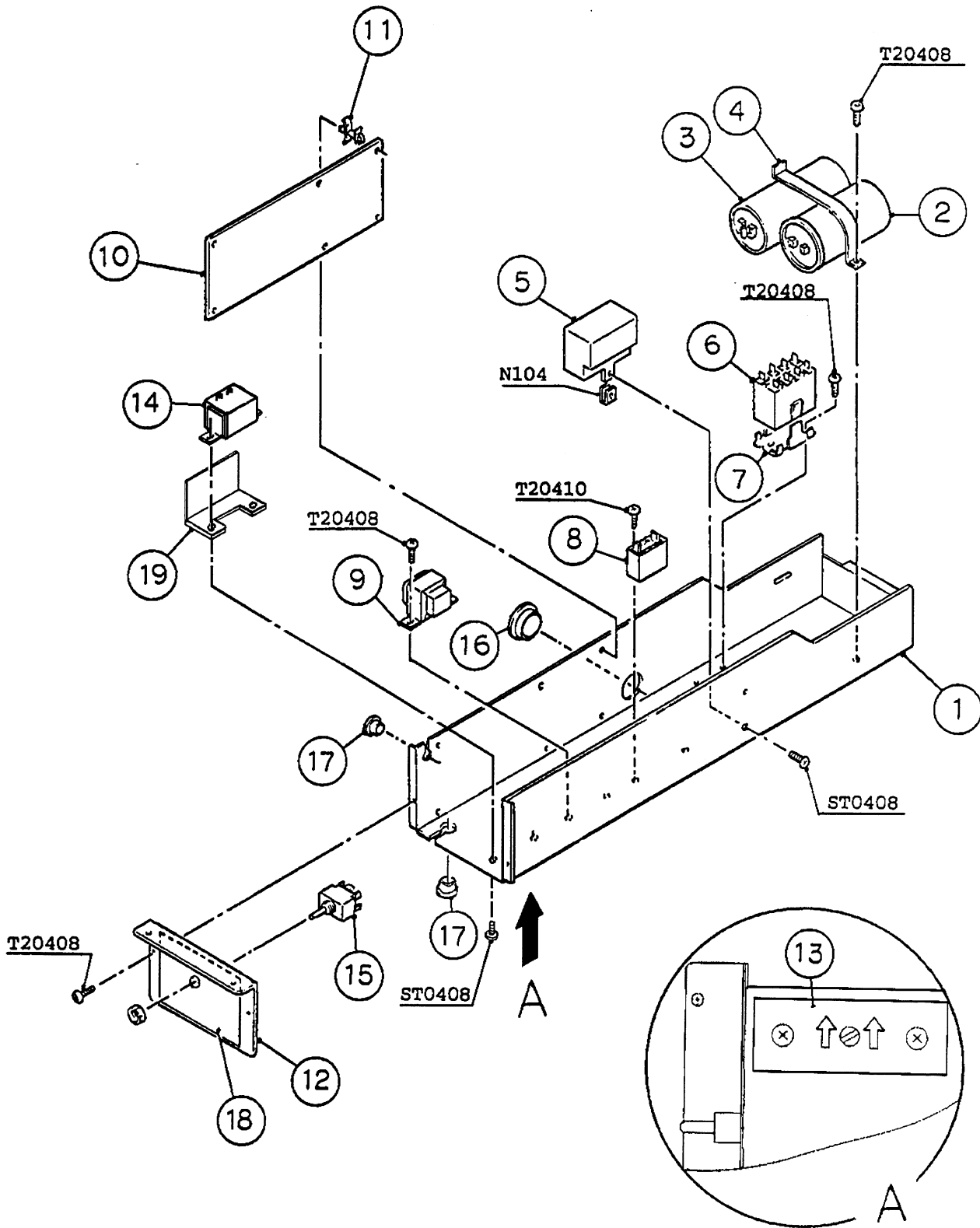




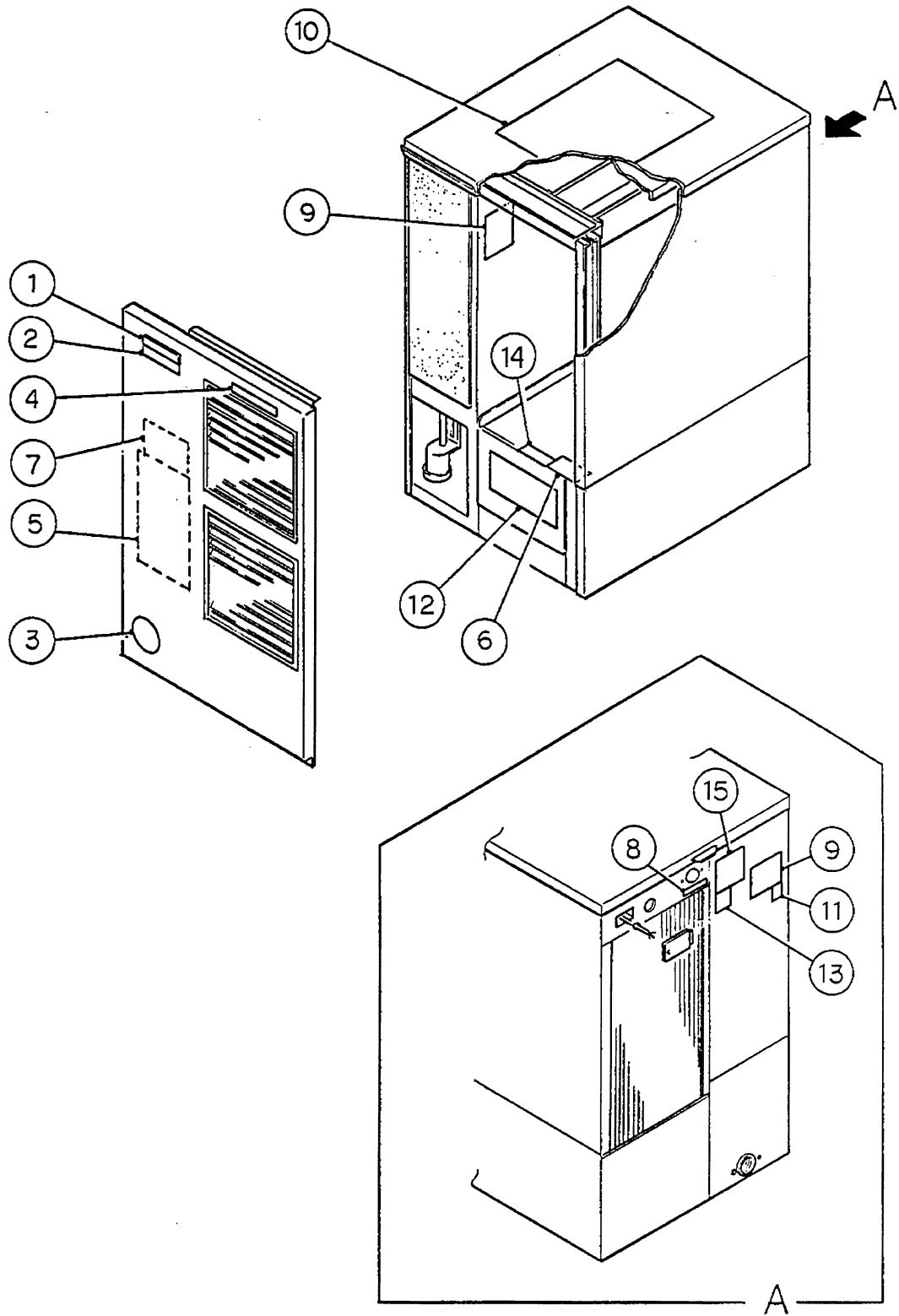
MODEL: KM-630MAE-E		TITLE: D. CONTROL BOX ASSEMBLY							
INDEX NO.	DESCRIPTION	MATERIAL OR MODEL NUMBER	PART NUMBER	REQUIRED NUMBER					
				G-0					
1	CONTROL BOX	G.S	2A0768G01	1					
2	CAPACITOR	25µf 370V	439943-02	1					
3	CAPACITOR - STARTING	88-108µf	3A0076-03	1					
4	STRAP	G.S	434580-11	1					
5	STARTER	040-0001-38	434172-01	1					
6	MAGNETIC CONTACTOR	VC20	428393-01	1					
7	BRACKET	BW9154	428393F01	1					
8	CAPACITOR	5.5µf 250V	4A1025-03	1					
9	TRANSFORMER	26D285H	3A0172-01	1					
10	CONTROLLER BOARD	MY9KM910	2U0127-01	1					
11	BOARD SUPPORT	KGLS-6S	4A0336-03	6					
12	SWITCH BRACKET	G.S	4A1103-01	1					
13	CONTROL LABEL	PES FILM	4A1236-01	1					
14	THERMOSTAT	A303815-00	4A0824-01	1					
15	TOGGLE SWITCH - VDE	8956K172	4A1147-01	1					
16	BUSHING	SB-1375-16	420470-04	1					
17	BUSHING	OCB-500	428394-02	2					
18	CONTROL LABEL (B)	PES FILM	4A1143-01	1					
19	BARRIER	S.S	4A1104-01	1					
20	CAPACITOR	CME25B2550 2.5µf, 250V	4A1025-05	1					



MODEL: <b>KM-630MWE-E</b> TITLE: <b>D. CONTROL BOX ASSEMBLY</b>									
INDEX NO.	DESCRIPTION	MATERIAL OR MODEL NUMBER	PART NUMBER	REQUIRED NUMBER					
				G-0					
1	CONTROL BOX	G.S	2A0768G01	1					
2	CAPACITOR	25µf 370V	439943-02	1					
3	CAPACITOR - STARTING	88-108µf	3A0076-03	1					
4	STRAP	G.S	434580-11	1					
5	STARTER	040-0001-38	434172-01	1					
6	MAGNETIC CONTACTOR	VC20	428393-01	1					
7	BRACKET	BW9154	428393F01	1					
8	CAPACITOR	5.5µf 250V	4A1025-03	1					
9	TRANSFORMER	26D285H	3A0172-01	1					
10	CONTROLLER BOARD	MY9KM910	2U0127-01	1					
11	BOARD SUPPORT	KGLS-6S	4A0336-03	6					
12	SWITCH BRACKET	G.S	4A1103-01	1					
13	CONTROL LABEL	PES FILM	4A1236-01	1					
14	THERMOSTAT	A303815-00	4A0824-01	1					
15	TOGGLE SWITCH - VDE	8956K172	4A1147-01	1					
16	BUSHING	SB-1375-16	420470-04	1					
17	BUSHING	OCB-500	428394-02	2					
18	CONTROL LABEL (B)	PES FILM	4A1143-01	1					
19	BARRIER	S.S	4A1104-01	1					

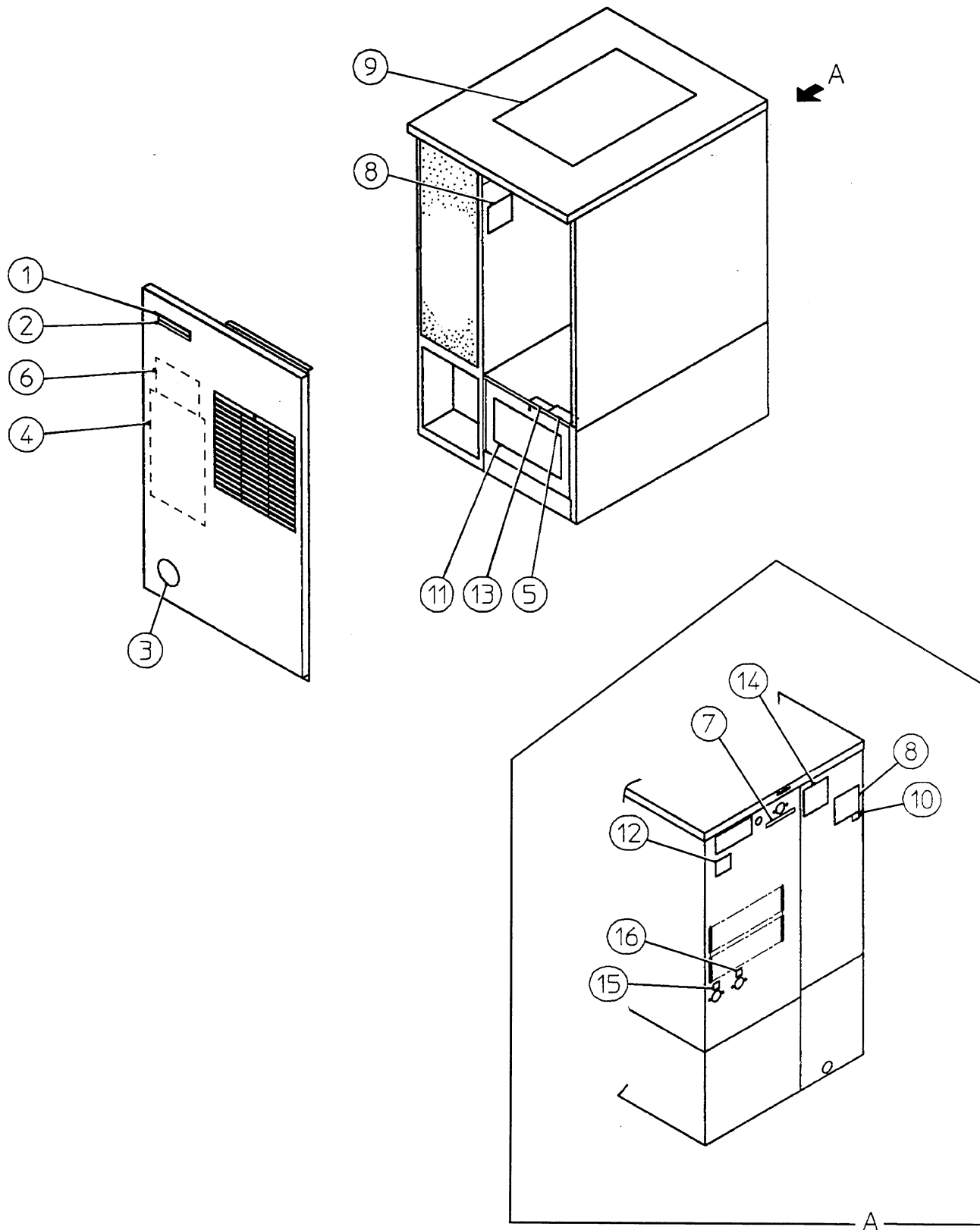


MODEL: KM-630MRE-E TITLE: D. CONTROL BOX ASSEMBLY									
INDEX NO.	DESCRIPTION	MATERIAL OR MODEL NUMBER	PART NUMBER	REQUIRED NUMBER					
				G-0					
1	CONTROL BOX	G.S	2A0768G01	1					
2	CAPACITOR	25µf 370V	439943-02	1					
3	CAPACITOR - STARTING	88-108µf	3A0076-03	1					
4	STRAP	G.S	434580-11	1					
5	STARTER	040-0001-38	434172-01	1					
6	MAGNETIC CONTACTOR	VC20	428393-01	1					
7	BRACKET	BW9154	428393F01	1					
8	CAPACITOR	5.5µf 250V	4A1025-03	1					
9	TRANSFORMER	26D285H	3A0172-01	1					
10	CONTROLLER BOARD	MY9KM910	2U0127-01	1					
11	BOARD SUPPORT	KGLS-6S	4A0336-03	6					
12	SWITCH BRACKET	G.S	4A1103-01	1					
13	CONTROL LABEL	PES FILM	4A1236-01	1					
14	THERMOSTAT	A303815-00	4A0824-01	1					
15	TOGGLE SWITCH - VDE	8956K172	4A1147-01	1					
16	BUSHING	SB-1375-16	420470-04	1					
17	BUSHING	OCB-500	428394-02	2					
18	CONTROL LABEL (B)	PES FILM	4A1143-01	1					
19	BARRIER	S.S	4A1104-01	1					

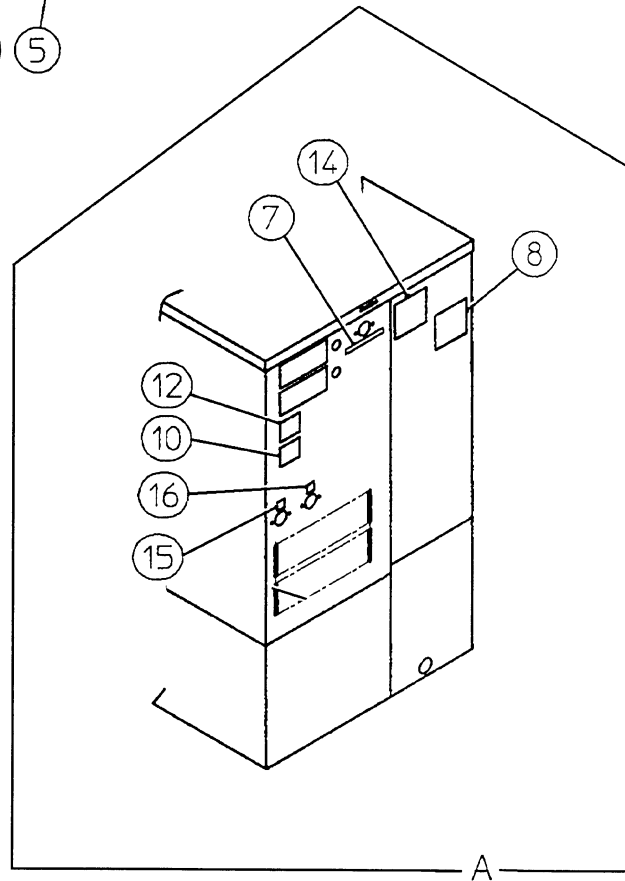
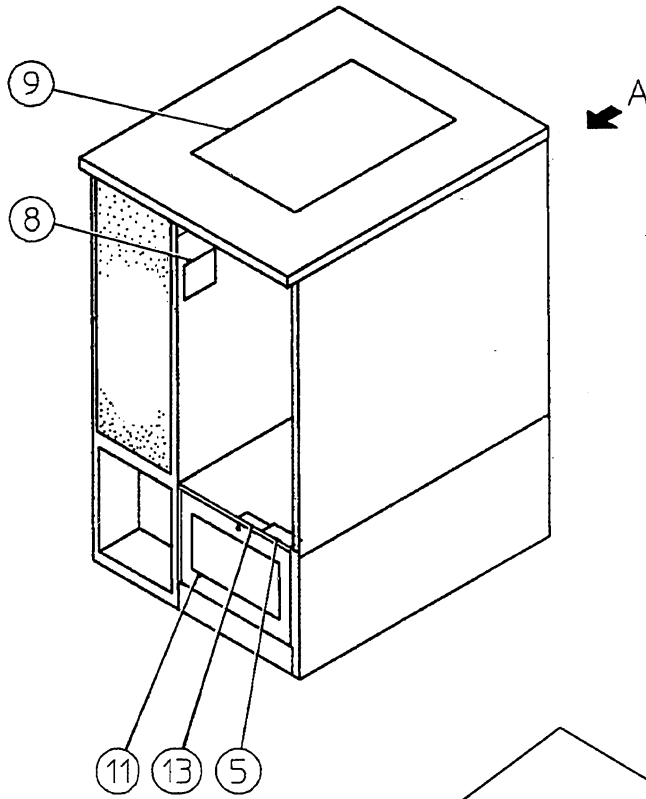
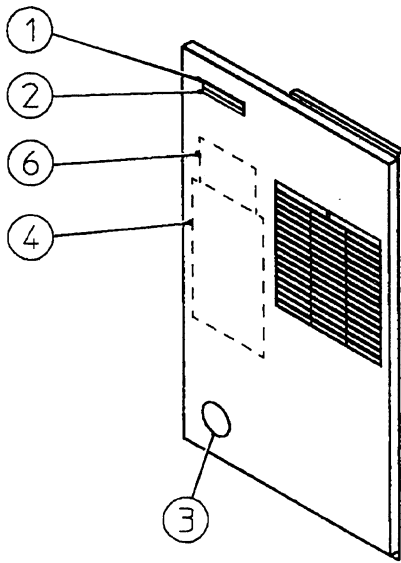


MODEL: KM-630MAE-E TITLE: E. LABEL LOCATION									
INDEX NO.	DESCRIPTION	MATERIAL OR MODEL NUMBER	PART NUMBER	REQUIRED NUMBER					
				G-0					
1	EMBLEM	PETP FILM	4A0560-01	1					
2	MODEL NUMBER LABEL	PETP FILM	4A0468-30	1					
3	LABEL - PENGUIN (R)	PETP FILM	4A0526-01	1					
4	LABEL - AIR FILTER	PETP FILM	426177-01	1					
5	MAINTENANCE LABEL	PVC FILM	3A0725-01	1					
6	WARNING LABEL	PVC FILM	431092-01	1					
7	WIRING LABEL	PVC FILM	3A0559-01	1					
8	WATER SUPPLY LABEL	PVC FILM	4A1158-01	1					
9	NAMEPLATE	PES FILM	4A1277-01	2					
10	INSTRUCTION SHEET	PAPER	2A0793-01	1					
11	LABEL - CE	PES FILM	450668-01	1					
12	MANUAL LABEL	PVC FILM	3A0739-01	1					
13	LABEL - MAIN CONNECTION	PVC FILM	4A1169-01	1					
14	LABEL - R22	PES FILM	440362-01	1					
15	INSTRUCTION LABEL	PVC FILM	4A1235-01	1					

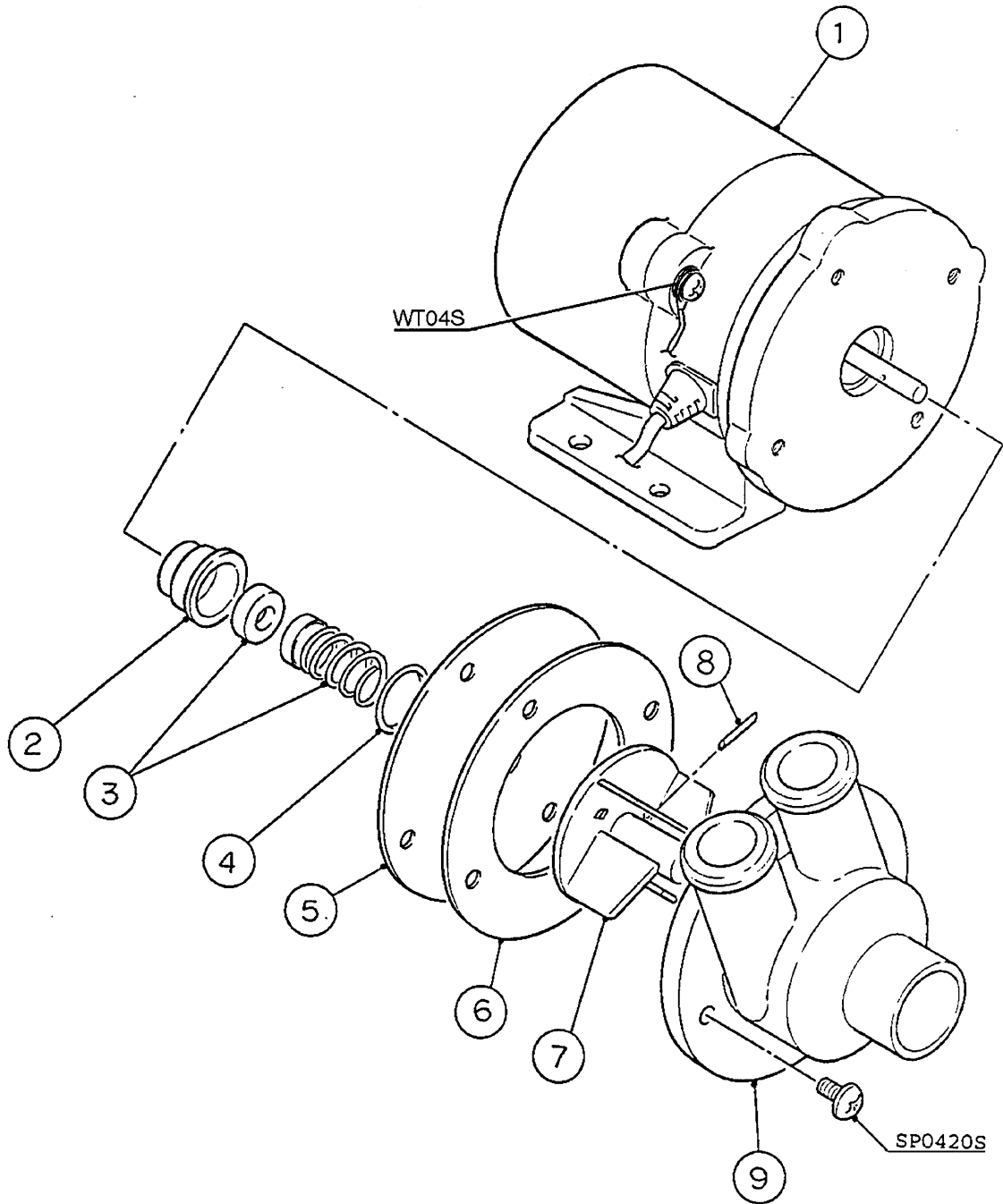




MODEL: <b>KM-630MWE-E</b> TITLE: <b>E. LABEL LOCATION</b>									
INDEX NO.	DESCRIPTION	MATERIAL OR MODEL NUMBER	PART NUMBER	REQUIRED NUMBER					
				G-0					
1	EMBLEM	PETP FILM	4A0560-01	1					
2	MODEL NUMBER LABEL	PETP FILM	4A0468-31	1					
3	LABEL - PENGUIN (R)	PETP FILM	4A0526-01	1					
4	MAINTENANCE LABEL	PVC FILM	3A0725-01	1					
5	WARNING LABEL	PVC FILM	425322-01	1					
6	WIRING LABEL	PVC FILM	3A0559-01	1					
7	WATER SUPPLY LABEL	PVC FILM	4A1158-01	1					
8	NAMEPLATE	PES FILM	4A1278-01	2					
9	INSTRUCTION SHEET	PAPER	2A0793-01	1					
10	LABEL - CE	PES FILM	450668-01	1					
11	MANUAL LABEL	PVC FILM	3A0739-01	1					
12	LABEL - MAIN CONNECTION	PVC FILM	4A1169-01	1					
13	LABEL - R22	PES FILM	440362-01	1					
14	INSTRUCTION LABEL	PVC FILM	4A1235-01	1					
15	LABEL - ARROW, "OUT"	PVC FILM	420743-01	1					
16	LABEL - ARROW, "IN"	PVC FILM	420743-02	1					



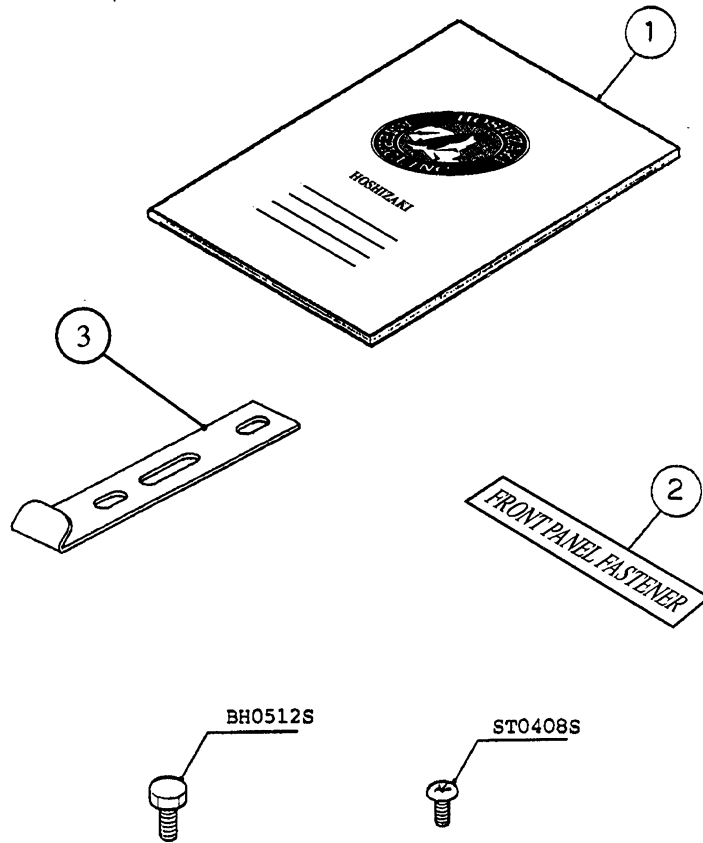
MODEL: <b>KM-630MRE-E</b> TITLE: <b>E. LABEL LOCATION</b>									
INDEX NO.	DESCRIPTION	MATERIAL OR MODEL NUMBER	PART NUMBER	REQUIRED NUMBER					
				G-0					
1	EMBLEM	PETP FILM	4A0560-01	1					
2	MODEL NUMBER LABEL	PETP FILM	4A0468-38	1					
3	LABEL - PENGUIN (R)	PETP FILM	4A0526-01	1					
4	MAINTENANCE LABEL	PVC FILM	3A0725-01	1					
5	WARNING LABEL	PVC FILM	425322-01	1					
6	WIRING LABEL	PVC FILM	3A0858-01	1					
7	WATER SUPPLY LABEL	PVC FILM	4A1158-01	1					
8	NAMEPLATE	PES FILM	4A1303-01	2					
9	INSTRUCTION SHEET	PAPER	2A0793-01	1					
10	LABEL - WIRE CONNECTION	PES FILM	4A1061-01	1					
11	MANUAL LABEL	PVC FILM	3A0739-01	1					
12	LABEL - MAIN CONNECTION	PVC FILM	4A1169-01	1					
13	LABEL - R22	PES FILM	440362-01	1					
14	INSTRUCTION LABEL	PVC FILM	4A1235-01	1					
15	LABEL - ARROW, "OUT"	PVC FILM	420743-01	1					
16	LABEL - ARROW, "IN"	PVC FILM	420743-02	1					



HA

**MODEL: KM-630MAE-E, MWE-E, MRE-E**  
**TITLE: F. PUMP MOTOR ASSEMBLY**

INDEX NO.	DESCRIPTION	MATERIAL OR MODEL NUMBER	PART NUMBER	REQUIRED NUMBER						
				G-0						
1	PUMP MOTOR	AP-TA4(H) 120V	2U0095-01	1						
2	RETAINER	S.S	418584-01	1						
3	MECHANICAL SEAL (B)	H5-PS9, ø5	415817-01	1						
4	"O" RING	1AP18	7611-P018	1						
5	PLATE - PUMP	S.S	403013-01	1						
6	PUMP GASKET	NR	403014-01	1						
7	IMPELLER	ABS	433522-01	1						
8	PIN	S.S	414102-01	1						
9	PUMP HOUSING	ABS	211409-01	1						



MODEL: <b>KM-630MAE-E, MWE-E, MRE-E</b>					TITLE: <b>G. ACCESSORIES</b>				
INDEX NO.	DESCRIPTION	MATERIAL OR MODEL NUMBER	PART NUMBER	REQUIRED NUMBER					
				G-0					
1	INSTRUCTION MANUAL	PAPER	91U1GM13A	1					
2	LABEL - FASTENER	PAPER	427122-01	1					
3	UNIVERSAL BRACE	G.S	4A0138-01	2					



# **MODULAR CRESCENT CUBER**

**MODEL**

**KM-630MAE-E**

**KM-630MWE-E**

**KM-630MRE-E**

**PARTS LIST**

ISSUED: AUG. 15, 1997

REVISED: -----

PRINTED: AUG. 22, 1997

ITEM NO: 71123