
NO. 71080

ISSUED: APRIL 12, 1993

REVISED: MAY 22, 2000



**HOSHIZAKI
MODULAR CRESCENT CUBER**

MODEL

KM-630MAE

KM-630MWE

KM-630MRE

(FINAL) PARTS LIST

HA

KM-630MAE

C-0 Jan., 1993
C-1 March, 1993
C-2 June, 1993
C-3 Aug., 1993
D-0 Dec., 1993
E-0 Jan., 1995
E-1 April, 1995
F-0 Dec., 1995
F-1 Sept., 1996
G-0 Dec., 1996
G-1 May, 1997
H-0 Dec., 1997
H-1 June, 1998
H-2 July, 1998
H-3 Oct., 1998
H-4 Nov., 1998
J-0 Dec., 1998

KM-630MWE

C-0 Jan., 1993
C-1 March, 1993
C-2 June, 1993
C-3 Aug., 1993
D-0 Dec., 1993
E-0 Dec., 1994
E-1 May, 1995
F-0 Jan., 1996
F-1 Oct., 1996
G-0 Jan., 1997
G-1 May, 1997
H-0 Dec., 1997
H-1 June, 1998
H-2 July, 1998
H-3 Oct., 1998
J-0 Dec., 1998

KM-630MRE

C-0 Jan., 1993
C-1 March, 1993
C-2 June, 1993
C-3 Aug., 1993
D-0 Dec., 1993
E-0 Jan., 1995
E-1 April, 1995
F-0 Dec., 1995
F-1 Sept., 1996
G-0 Dec., 1996
G-1 May, 1997
H-0 Dec., 1997
H-1 June, 1998
H-2 July, 1998
H-3 Oct., 1998
H-4 Nov., 1998
J-0 Dec., 1998

MATERIAL ABBREVIATIONS

ALUMINUM

AL = Aluminum

COPPER

CU = Copper

PLASTIC

ABS = Acrylonitrile -butadiene - styrene
 AC = Polyacetal
 EVA = Ethylene vinyl acetate
 PA = Polyamide = Nylon
 PC = Polycarbonate
 PE = Polyethylene
 PES = Polyester
 PETP = Polyethylene terephthalate = Tetlon
 PP = Polypropylene
 PS = Polystyrene
 PTFE = Polytetrafluoroethylene = Teflon
 PUR = Polyurethane
 PVC = Polyvinyl chloride

RUBBER

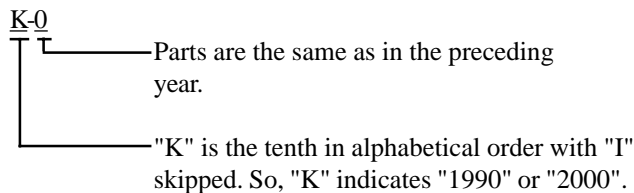
VN = Vinyl Nitrile
 EPDM = EP rubber
 NBR = Nitrile butadiene rubber
 NR = Natural rubber
 NP = Neoprene
 SIR = Silicone rubber
 SYR = Synthetic rubber
 EPH = Epichlorohydrin

STEEL

GS = Galvanized steel
 SS = Stainless steel
 PS = Plated steel
 PAS = Primed steel

AUXILIARY CODE

Ex.1

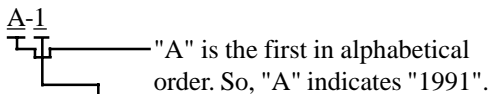


(Note) - = Part deleted.

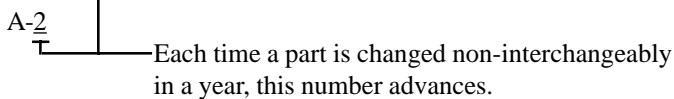
x = Part deleted and replaced by "o" part.

o = New part for "x" in the same auxiliary code.

Ex.2



Ex.3



FASTENER ABBREVIATION LIST

ST	Phillips Truss Machine Screw
SP	Phillips Pan Head Machine Screw
SF	Phillips Flat Head Machine Screw
SS	Phillips Pan Head Machine Screw with Split Lock Washer
SW	Phillips Pan Head Machine Screw with Split Lock Washer and Flat Washer
T1	Phillips Truss Head Tapping Screw (Correspond to Type A)
T2	Phillips Truss Head Tapping Screw (Correspond to Type B)
T3	Phillips Truss Head Tapping Screw (Correspond to Type C)
FT	Phillips Truss Head Tapping Screw (Special)
BH	Hexagon Head Bolt
BC	Socket Head Cap Screw
BS	Hexagon Bolt with Split Washer
BW	Hexagon Bolt with Split Washer and Flat Washer
BF	Hexagon Flange Bolt
BR	Cross-Recessed Hexagon Head Bolt
BRW	Cross-Recessed Hexagon Head Bolt with Split Lock Washer and Flat Washer
WL	Split Lock Washer
WT	External Tooth Washer
WF	Flat Washer
WS	Spring Washer
NH	Hexagon Nut
NF	Hexagon Flange Nut
NC	Hexagon Cap Nut
NS	Square Nut
NW	Wing Nut

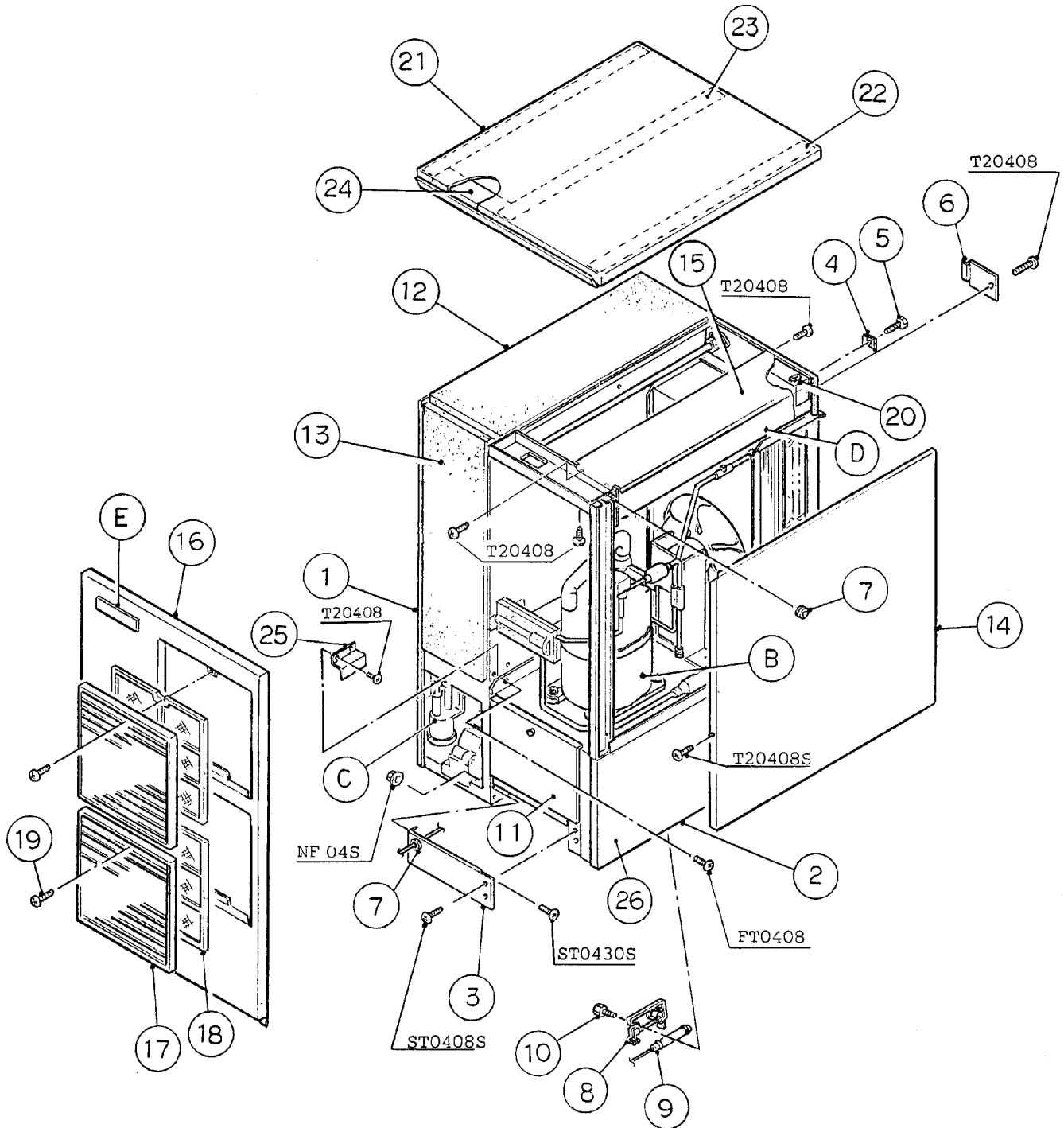
Ex. ST0308S (Phillips Truss Head Machine Screw
3x8, made of stainless steel)

Material	None:	Plated Steel
Length (mm)	S:	Stainless Steel
Nominal Diameter (mm)	B:	Brass
Form of Head	P:	Plastic
Description		

(Note) Second character is numerical except toe list.

Ex. S1, S2, B3 etc.

And abbreviations and names are shown under the illustration.

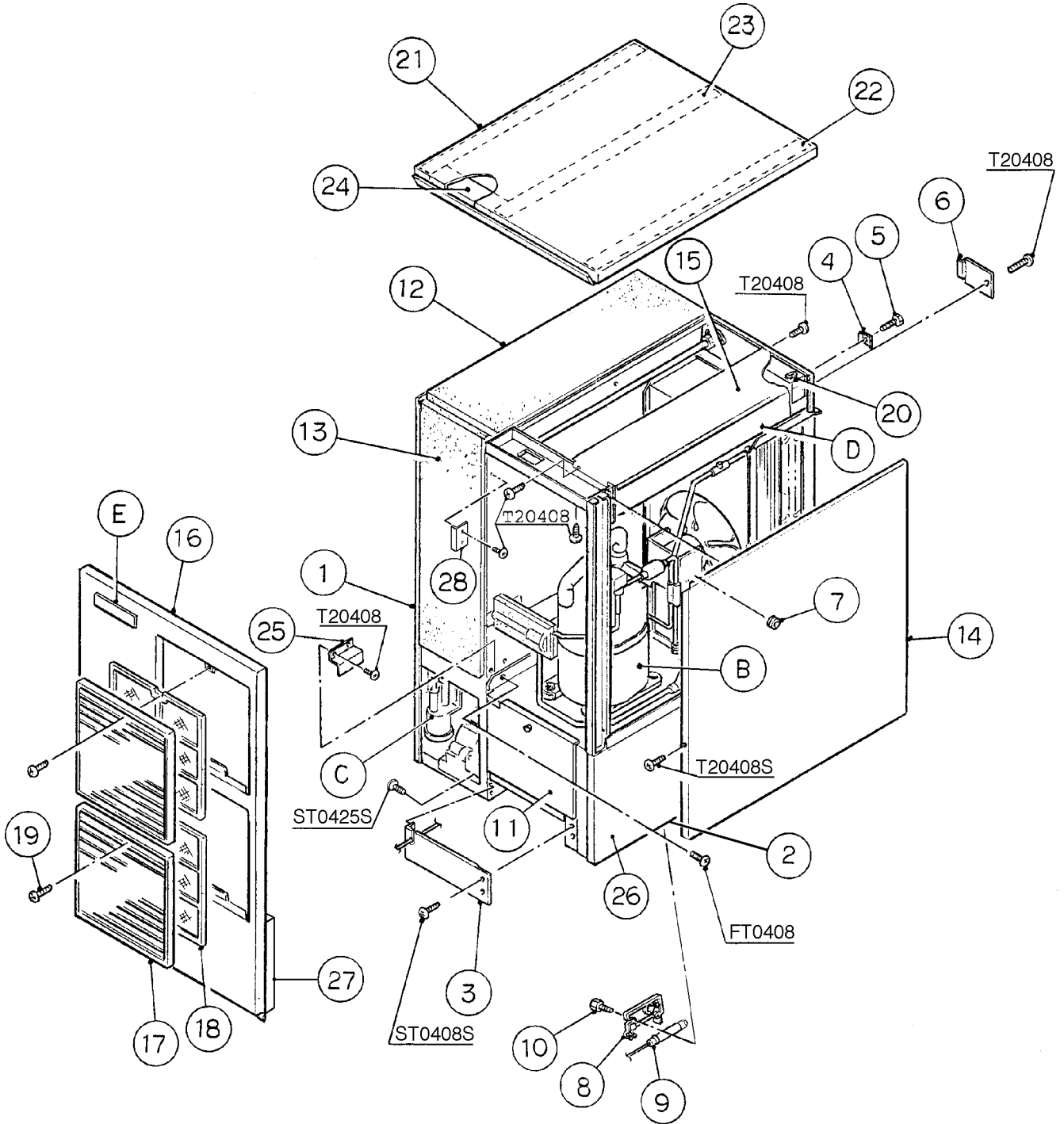


HA

KM-630MAE

A. ICE CUBER ASSEMBLY

D-0, E-0, E-1, F-0, F-1, G-0, G-1,
H-0, H-1, H-2, H-3, H-4, J-0



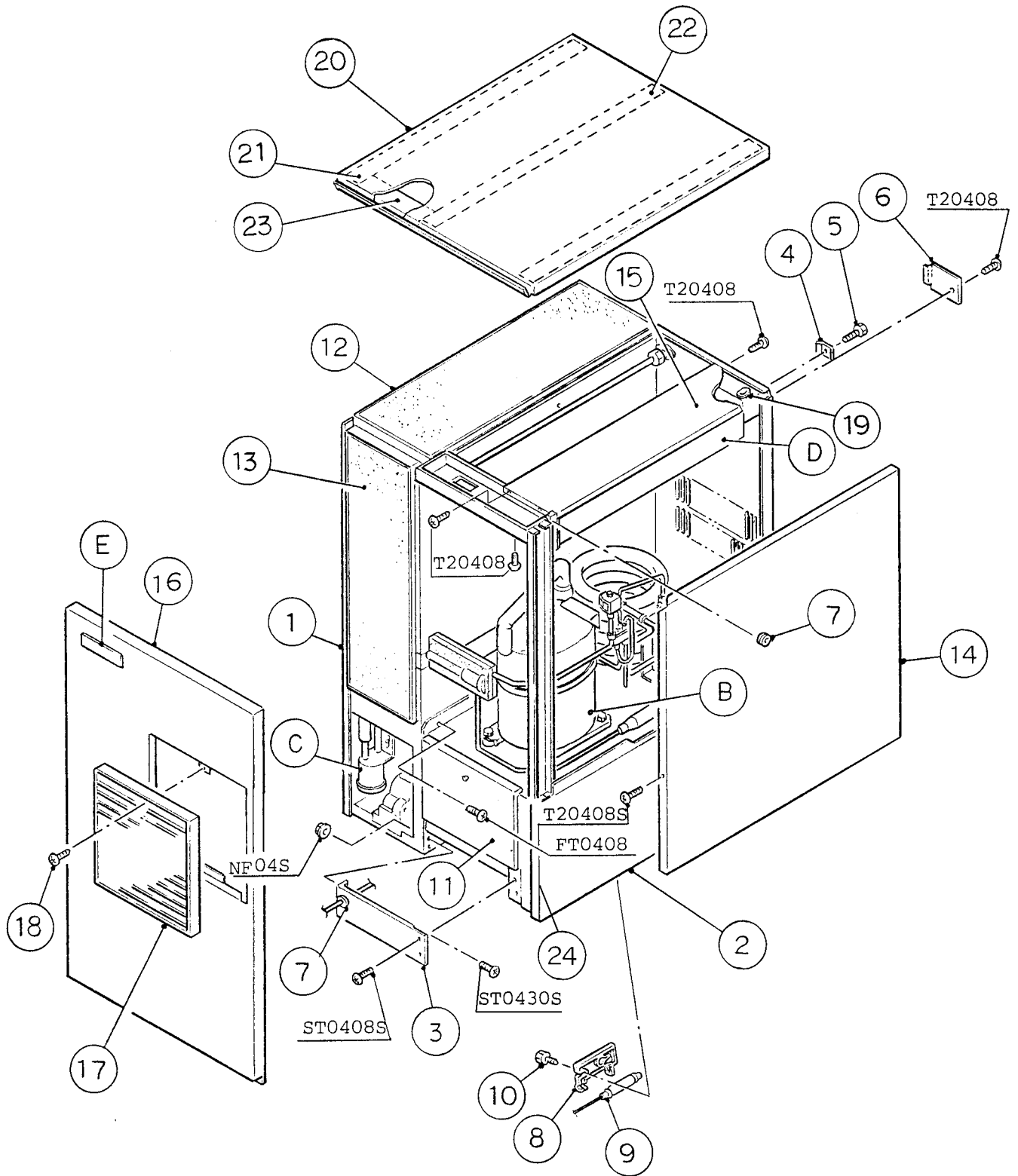
HA

MODEL: KM-630MAE TITLE: A. ICE CUBER ASSEMBLY													
INDEX NO.	DESCRIPTION	MATERIAL OR MODEL NUMBER	PART NUMBER	REQUIRED NUMBER									
				C-0	C-1	C-2	C-3	D-0 E-0	E-1 F-0	F-1 G-0 G-1 H-0 H-1	H-2	H-3	
B	REFRIGERATION CIRCUIT	-	106004A01	1	-								
		-	106004A02		1	1	-						
		-	106004A03				1	1	-				
		-	106004A04						1	1	1	1	
C	WATER CIRCUIT	-	105126A01	1	1	-							
		-	105126A04			1	-						
		-	1A0058A02				1	1	-				
		-	1A0058A06						1	1	1	1	
D	CONTROL BOX ASSEMBLY	-	212389A07	1	1	1	1	1	1	1	-		
		-	212389A09									1	-
		-	212389A07										1
E	LABEL LOCATION	-	329414A01	1	1	1	1	1	1	1	-		
		-	329414A02									1	1
1	EVAP. CASE	-	104404G06	1	1	1	1	x1					
		-	2A0143G02					o1	1	1	1	x1	
		-	1A0276G02										o1
2	BASE	-	2A0119G04	1	1	1	1	1	1	1	1	1	
3	FRONT FRAME	SS	321524-01	1	1	1	1	-					
	FRAME	ABS	3A0217-01					x1					
		ABS	3A0217G01					o1	1	1	1	1	
4	SQUARE WASHER	BRASS	433537-02	1	1	1	1	1	1	1	1	1	
5	SCREW - GROUNDING	BRASS	433304-02	1	1	1	1	1	1	1	1	1	
6	JUNCTION BOX COVER	GS	433410-01	1	1	1	1	1	1	1	1	1	
7	BUSHING	EP RUBBER	425307-01	2	2	2	2	1	1	1	1	1	
8	BULB HOLDER	ABS, PE	328919-01	1	1	1	1	1	1	1	1	1	

HA

MODEL: KM-630MAE TITLE: A. ICE CUBER ASSEMBLY											
INDEX NO.	DESCRIPTION	MATERIAL OR MODEL NUMBER	PART NUMBER	REQUIRED NUMBER							
				H-4	J-0						
B	REFRIGERATION CIRCUIT		106004A04	1	1						
C	WATER CIRCUIT		1A0058A06	1	1						
D	CONTROL BOX ASSEMBLY		212389A07	-							
			212389A09	1	1						
E	LABEL LOCATION		329414A02	1	1						
1	EVAP. CASE		1A0276G02	1	1						
2	BASE		2A0119G04	1	1						
3	FRAME		3A0217G01	1	1						
4	SQUARE WASHER		433537-02	1	1						
5	SCREW - GROUNDING		433304-02	1	1						
6	JUNCTION BOX COVER		433410-01	1	1						
7	BUSHING		425307-01	2	2						
8	BULB HOLDER		328919-01	1	1						

MODEL: KM-630MAE TITLE: A. ICE CUBER ASSEMBLY													
INDEX NO.	DESCRIPTION	MATERIAL OR MODEL NUMBER	PART NUMBER	REQUIRED NUMBER									
				C-0	C-1	C-2	C-3	D-0 E-0	E-1 F-0	F-1	G-0 G-1 H-0 H-1	H-2 H-3 H-4 J-0	
9	SPACER	PE	443545-01	2	2	2	1	1	1	1	1	1	
10	THUMBSCREW	SS, ABS	415949G03	2	2	2	2	2	2	2	2	2	
11	BASE COVER	SS	321525G01	1	1	1	1	1	1	1	1	1	
12	TOP INSULATION	PP, PUR	215730G01	1	1	1	1	1	1	1	1	1	
13	FRONT INSULATION	PP, PUR	215731G02	1	1	1	1	1	1	1	1	1	
14	SIDE PANEL (R)	SS	211811G02	1	1	1	1	1	1	1	1	1	
15	CONTROL BOX COVER	GS	322009G01	1	1	1	1	1	1	1	1	1	
16	FRONT PANEL	SS	323004G03	1	1	1	1	x1					
	FRONT PANEL (A)	SS	212935-01					o1	x1				
		SS	212935-02						o1	1	1	1	
17	LOUVER (B)	-	103121-01	2	x2								
		-	103121-03		o2	2	2	2	2	2	2	2	
18	AIR FILTER (B)	-	208283G01	2	x2								
		-	208283G03		o2	2	2	2	2	2	2	2	
19	TAPPING SCREW (BLACK)	STEEL,4x8	433954-01	2	2	2	2	2	2	2	2	2	
20	BUSHING	SR-30-1	420472-03	1	1	1	1	1	1	1	1	1	
21	TOP PANEL	(324859A01) SS	213544-01	1	1	1	1	1	1	1	1	1	
22	GASKET	PVC	427014-04	2	2	2	2	2	2	2	2	2	
23	GASKET (A)	PVC	324859-03	1	1	1	1	1	1	1	1	1	
24	INSULATION	PE FOAM	438012-01	1	1	1	1	1	1	1	1	1	
25	BARRIER	GS	4A0352-01			1	1	1	1	1	1	1	
26	SIDE PANEL (R) BASE	SS	212620-01	1	1	1	1	1	1	1	1	1	
27	FRONT COVER	PS	2A0182-01					1	1	1	1	1	
28	BARRIER - INSULATION	GS	4A1167-01								1	1	

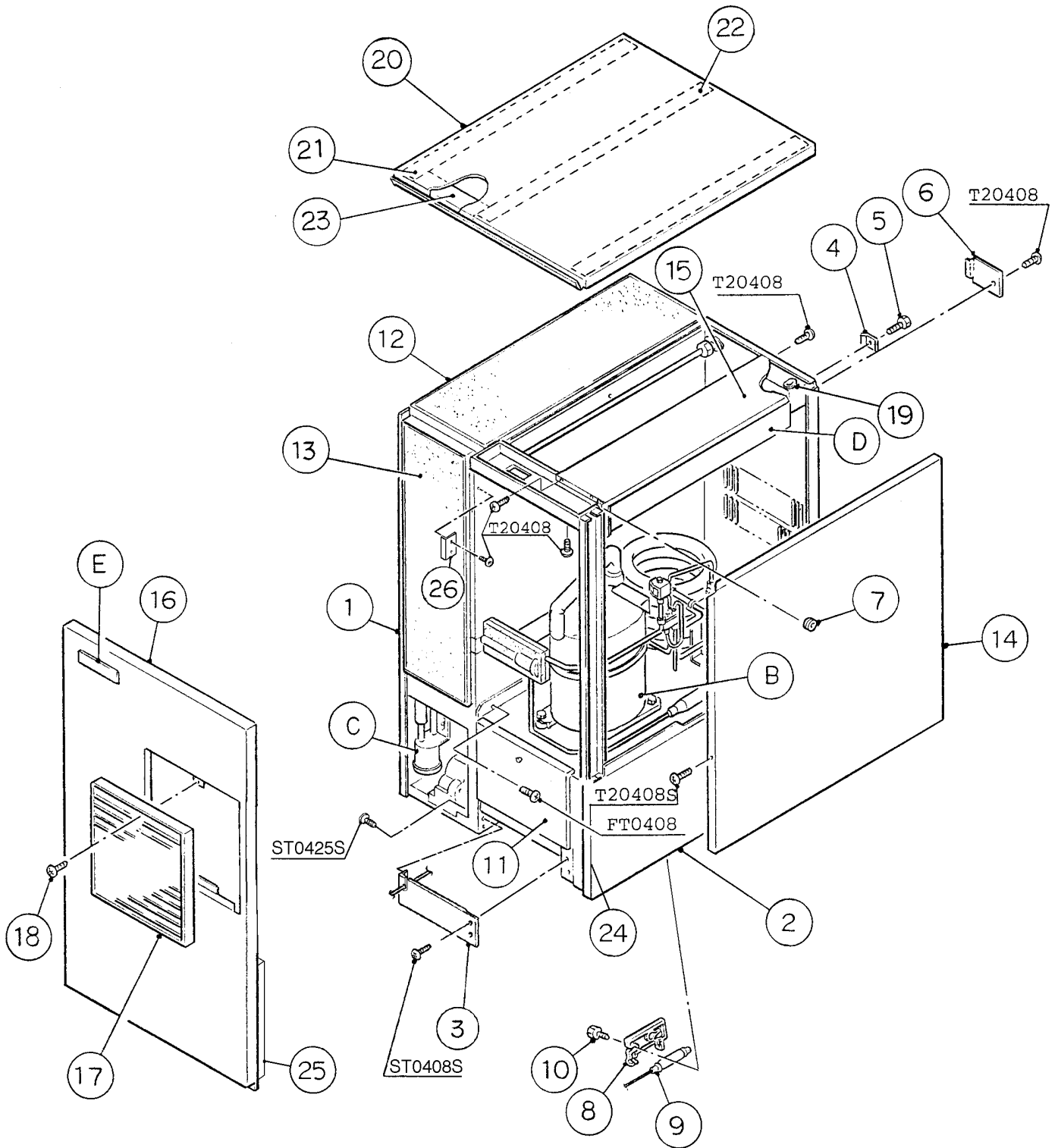


HA

KM-630MWE

A. ICE CUBER ASSEMBLY

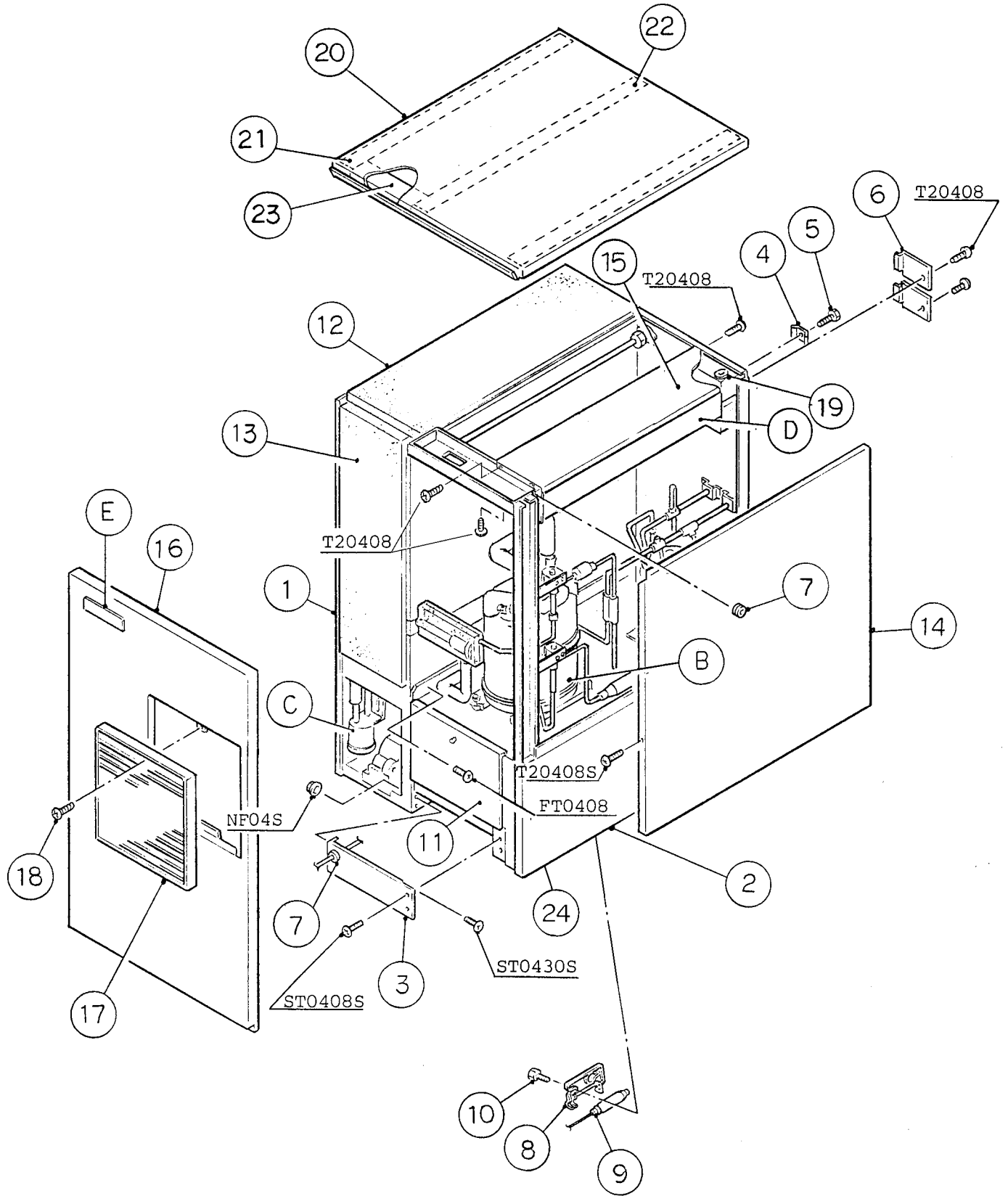
D-0, E-0, E-1, F-0, F-1, G-0,
G-1, H-0, H-1, H-2, H-3, J-0



HA

MODEL: KM-630MWE TITLE: A. ICE CUBER ASSEMBLY												
INDEX NO.	DESCRIPTION	MATERIAL OR MODEL NUMBER	PART NUMBER	REQUIRED NUMBER								
				C-0	C-1 C-2	C-3	D-0 E-0	E-1 F-0 F-1	G-0 G-1 H-0 H-1	H-2	H-3	J-0
B	REFRIGERATION CIRCUIT	-	106005A01	1	-							
		-	106005A02		1	1	1	-				
		-	106005A03					1	1	1	1	1
C	WATER CIRCUIT	-	105126A04	1	-							
		-	1A0058A02		1	1	1	-				
		-	1A0058A06					1	1	1	1	1
D	CONTROL BOX ASSEMBLY	-	212389A07	1	1	1	1	1	1	-		
		-	212389A09							1	-	
		-	212389A07								1	-
		-	212389A09									1
E	LABEL LOCATION	-	329415A01	1	1	1	1	1	1	-		
		-	329415A02							1	1	1
1	EVAP. CASE	-	104404G06	1	-							
		-	2A0143G02		1	1	1	1	1	1	1	-
			1A0276G02									1
2	BASE	-	2A0119G05	1	1	1	1	1	1			
3	FRONT FRAME	SS	321524-01	1	1	1	-					
	FRAME	ABS	3A0217-01				x1					
		ABS	3A0217G01				o1	1	1	1	1	1
4	SQUARE WASHER	BRASS	433537-02	1	1	1	1	1	1	1	1	1
5	SCREW - GROUNDING	BRASS	433304-02	1	1	1	1	1	1	1	1	1
6	JUNCTION BOX COVER	GS	433410-01	1	1	1	1	1	1	1	1	1
7	BUSHING	EP RUBBER	425307-01	2	2	2	1	1	1	1	1	1
8	BULB HOLDER	ABS, PE	328919-01	1	1	1	1	1	1	1	1	1
9	SPACER	PE	443545-01	2	2	1	1	1	1	1	1	1
10	THUMBSCREW	SS,ABS	415949G03	2	2	2	2	2	2	2	2	2

MODEL: KM-630MWE TITLE: A. ICE CUBER ASSEMBLY												
INDEX NO.	DESCRIPTION	MATERIAL OR MODEL NUMBER	PART NUMBER	REQUIRED NUMBER								
				C-0	C-1 C-2	C-3	D-0 E-0	E-1 F-0 F-1	G-0 G-1 H-0 H-1	H-2	H-3	J-0
11	BASE COVER	SS	321525G01	1	1	1	1	1	1	1	1	1
12	TOP INSULATION	PP, PUR	215730G01	1	1	1	1	1	1	1	1	1
13	FRONT INSULATION	PP, PUR	215731G02	1	1	1	1	1	1	1	1	1
14	SIDE PANEL (R)	SS	211811G02	1	1	1	1	1	1	1	1	1
15	CONTROL BOX COVER	GS	322009G01	1	1	1	1	1	1	1	1	1
16	FRONT PANEL	SS	323004G02	1	1	1	x1					
	FRONT PANEL (A)	SS	212934-02				o1	x1				
		SS	212934-04					o1	1	1	1	1
17	LOUVER (B)	-	103121-01	1	1	x1						
		-	103121-03			o1	1	1	1	1	1	1
18	TAPPING SCREW (BLACK)	STEEL, 4x8	433954-01	1	1	1	1	1	1	1	1	1
19	BUSHING	SR-30-1	420472-03	1	1	1	1	1	1	1	1	1
20	TOP PANEL	(324859A01) SS	213544-01	1	1	1	1	1	1	1	1	1
21	GASKET	PVC	427014-04	2	2	2	2	2	2	2	2	2
22	GASKET (A)	PVC	324859-03	1	1	1	1	1	1	1	1	1
23	INSULATION	PE FOAM	438012-01	1	1	1	1	1	1	1	1	1
24	SIDE PANEL (R) BASE	SS	212620G01	1	1	1	x1					
		SS	212620-01				o1	1	1	1	1	1
25	FRONT COVER	PS	2A0182-01				1	1	1	1	1	1
26	BARRIER - INSULATION	GS	4A1167-01						1	1	1	1

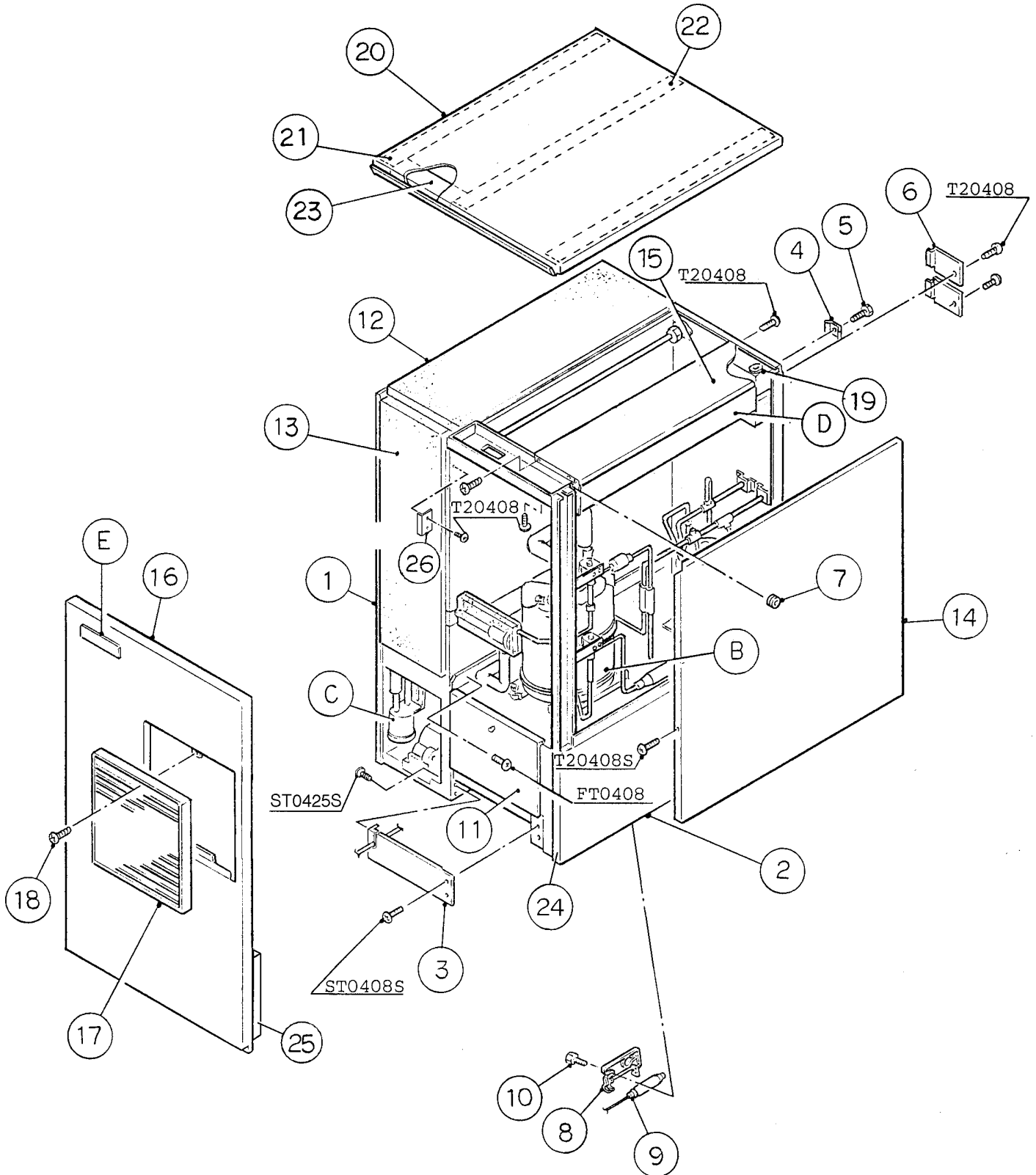


HA

KM-630MRE

A. ICE CUBER ASSEMBLY

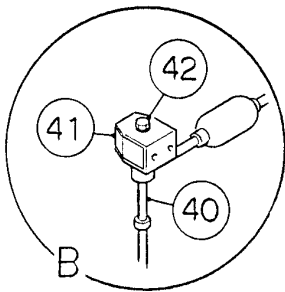
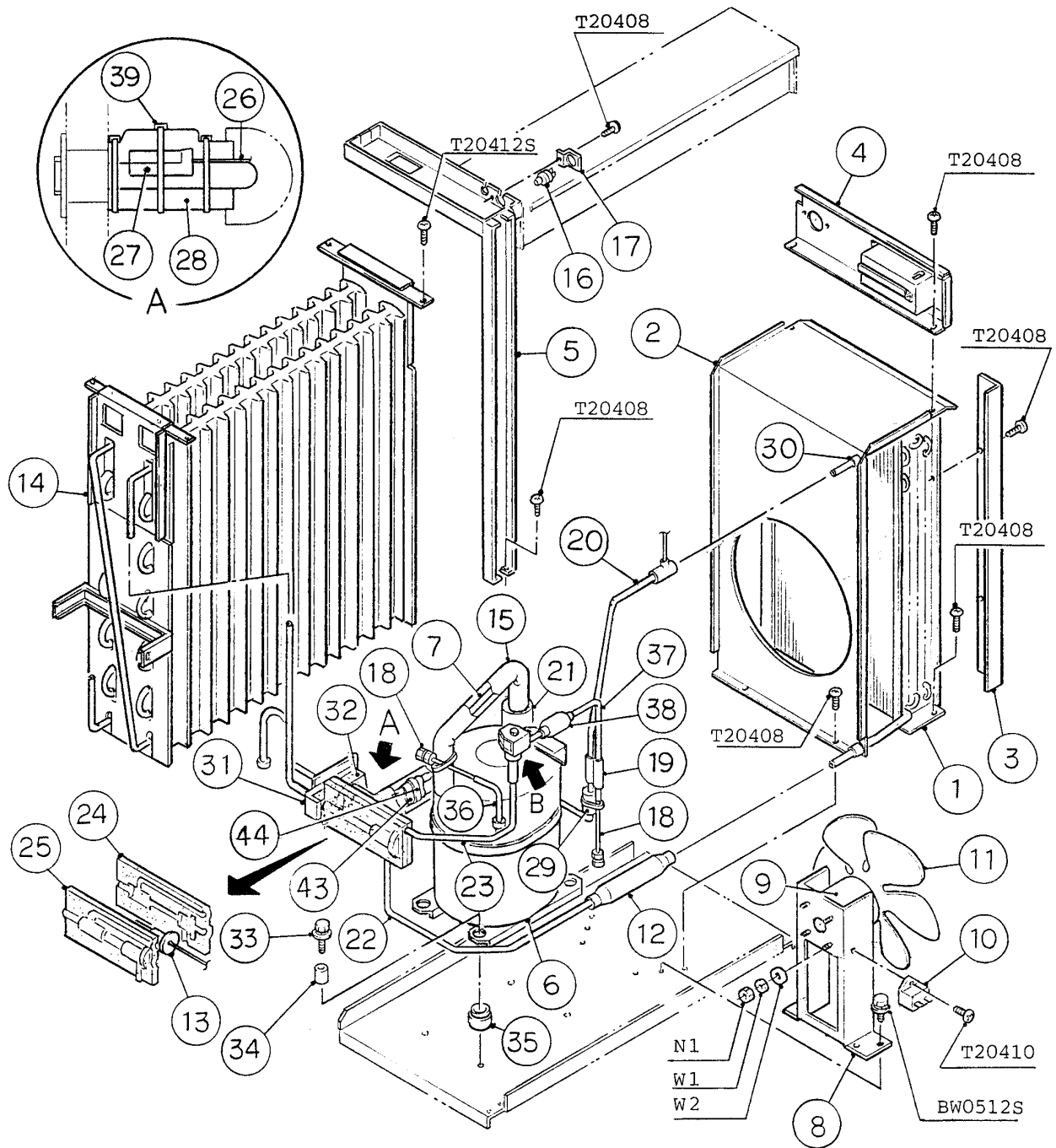
D-0, E-0, E-1, F-0, F-1, G-0, G-1,
H-0, H-1, H-2, H-3, H-4, J-0



MODEL: KM-630MRE TITLE: A. ICE CUBER ASSEMBLY													
INDEX NO.	DESCRIPTION	MATERIAL OR MODEL NUMBER	PART NUMBER	REQUIRED NUMBER									
				C-0	C-1	C-2	C-3	D-0 E-0	E-1 F-0	F-1 G-0 G-1 H-0 H-1	H-2	H-3	
B	REFRIGERATION CIRCUIT	-	106006A01	1	-								
		-	106006A02		1	1	-						
		-	106006A03				1	1	-				
		-	106004A04						1	1	1	1	
C	WATER CIRCUIT	-	105126A01	1	1	-							
		-	105126A04			1	-						
		-	1A0058A02				1	1	-				
		-	1A0058A06						1	1	1	1	
D	CONTROL BOX ASSEMBLY	-	212389A07	1	1	1	1	1	1	1	-		
		-	212389A09									1	-
		-	212389A07										1
E	LABEL LOCATION	-	329414A01	1	1	1	1	1	1	1	-		
		-	329414A02									1	1
1	EVAP. CASE	-	104404G06	1	1	1	1	x1					
		-	2A0143G02					o1	1	1	1	x1	
		-	1A0276G02										o1
2	BASE	-	104120G09	1	1	1	1	1	1	1	1	1	
3	FRONT FRAME	SS	321524-01	1	1	1	1	-					
	FRAME	ABS	3A0217-01					x1					
		ABS	3A0217G01					o1	1	1	1	1	
4	SQUARE WASHER	BRASS	433537-02	2	2	2	2	2	2	2	2	2	
5	SCREW - GROUNDING	BRASS	433304-02	2	2	2	2	2	2	2	2	2	
6	JUNCTION BOX COVER	GS	433410-01	2	2	2	2	2	2	2	2	2	
7	BUSHING	EP RUBBER	425307-01	2	2	2	2	2	2	2	2	2	
8	BULB HOLDER	ABS, PE	328919-01	1	1	1	1	1	1	1	1	1	

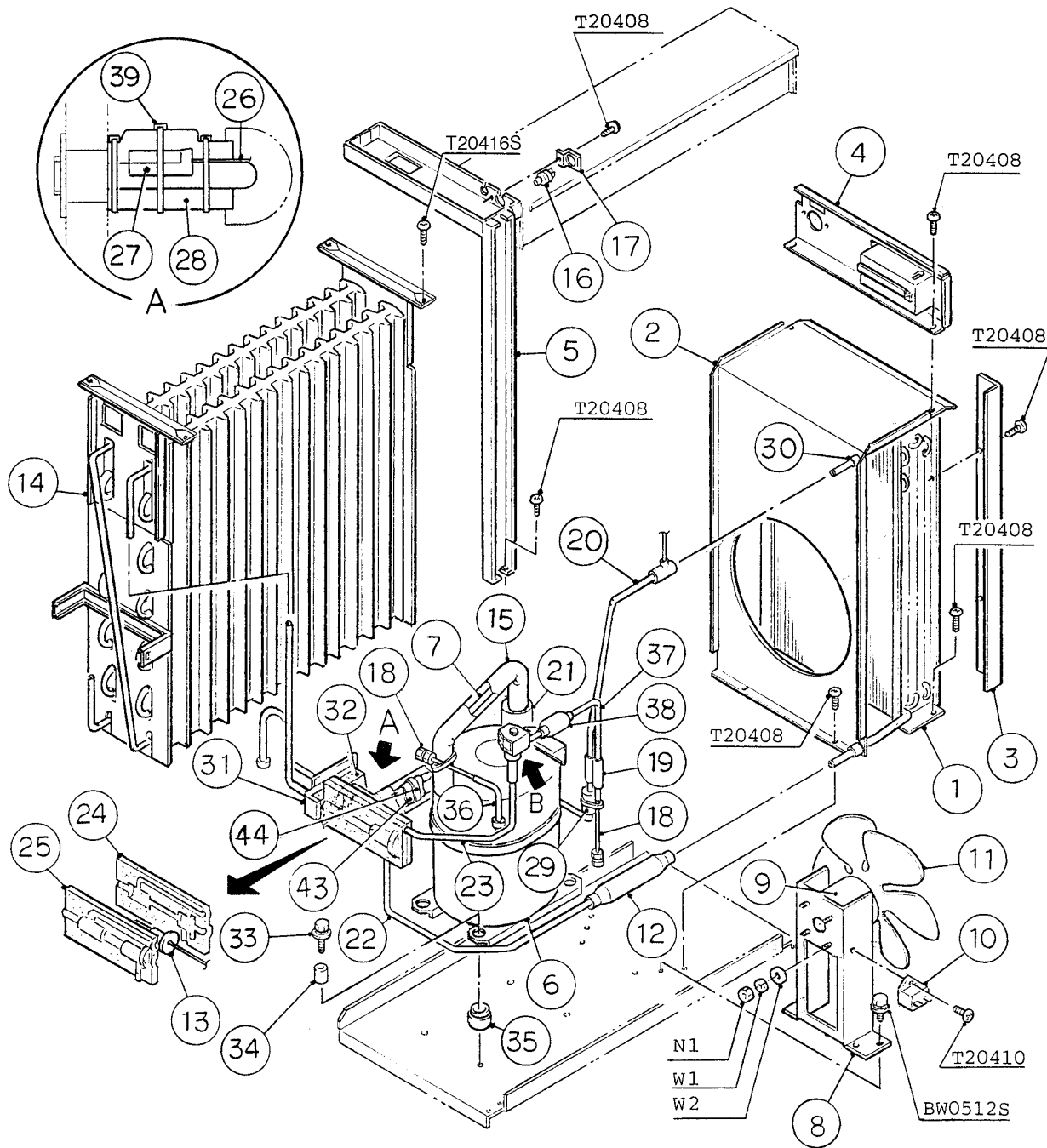
HA

MODEL: KM-630MAE TITLE: A. ICE CUBER ASSEMBLY												
INDEX NO.	DESCRIPTION	MATERIAL OR MODEL NUMBER	PART NUMBER	REQUIRED NUMBER								
				C-0	C-1	C-2	C-3	D-0 E-0	E-1 F-0	F-1	G-0 G-1 H-0 H-1	H-2 H-3 H-4 J-0
9	SPACER	PE	443545-01	2	2	2	1	1	1	1	1	1
10	THUMBSCREW	SS, ABS	415949G03	2	2	2	2	2	2	2	2	2
11	BASE COVER	SS	321525G01	1	1	1	1	1	1	1	1	1
12	TOP INSULATION	PP, PUR	215730G01	1	1	1	1	1	1	1	1	1
13	FRONT INSULATION	PP, PUR	215731G02	1	1	1	1	1	1	1	1	1
14	SIDE PANEL (R)	SS	211811G02	1	1	1	1	1	1	1	1	1
15	CONTROL BOX COVER	GS	322009G01	1	1	1	1	1	1	1	1	1
16	FRONT PANEL	SS	323004G02	1	1	1	1	x1				
	FRONT PANEL (A)	SS	212934-02					o1	x1			
		SS	212934-04						o1	1	1	1
17	LOUVER (B)	-	103121-01	1	1	1	x1					
		-	103121-03				o1	1	1	1	1	1
18	TAPPING SCREW (BLACK)	STEEL,4x8	433954-01	1	1	1	1	1	1	1	1	1
19	BUSHING	SR-30-1	420472-03	1	1	1	1	1	1	1	1	1
20	TOP PANEL	(324859A01) SS	213544-01	1	1	1	1	1	1	1	1	1
21	GASKET	PVC	427014-04	2	2	2	2	2	2	2	2	2
22	GASKET (A)	PVC	324859-03	1	1	1	1	1	1	1	1	1
23	INSULATION	PE FOAM	438012-01	1	1	1	1	1	1	1	1	1
24	SIDE PANEL (R) BASE	SS	212620-01	1	1	1	1	1	1	1	1	1
25	FRONT COVER	PS	2A0182-01					1	1	1	1	1
26	BARRIER - INSULATION	GS	4A1167-01								1	1



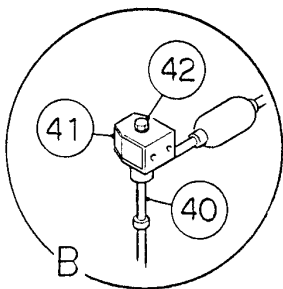
FASTENER

- N1 - Hex.Nut No.8-32UNC,SUS
- W1 - Split Lock Washer No.8-32UNC,SUS
- W2 - Flat Washer No.8-32UNC,SUS



FASTENER

- N1 - Hex. Nut No.8-32UNC, SUS
- W1 - Split Lock Washer No.8-32UNC, SUS
- W2 - Flat Washer No.8-32UNC, SUS

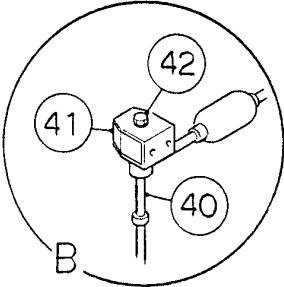
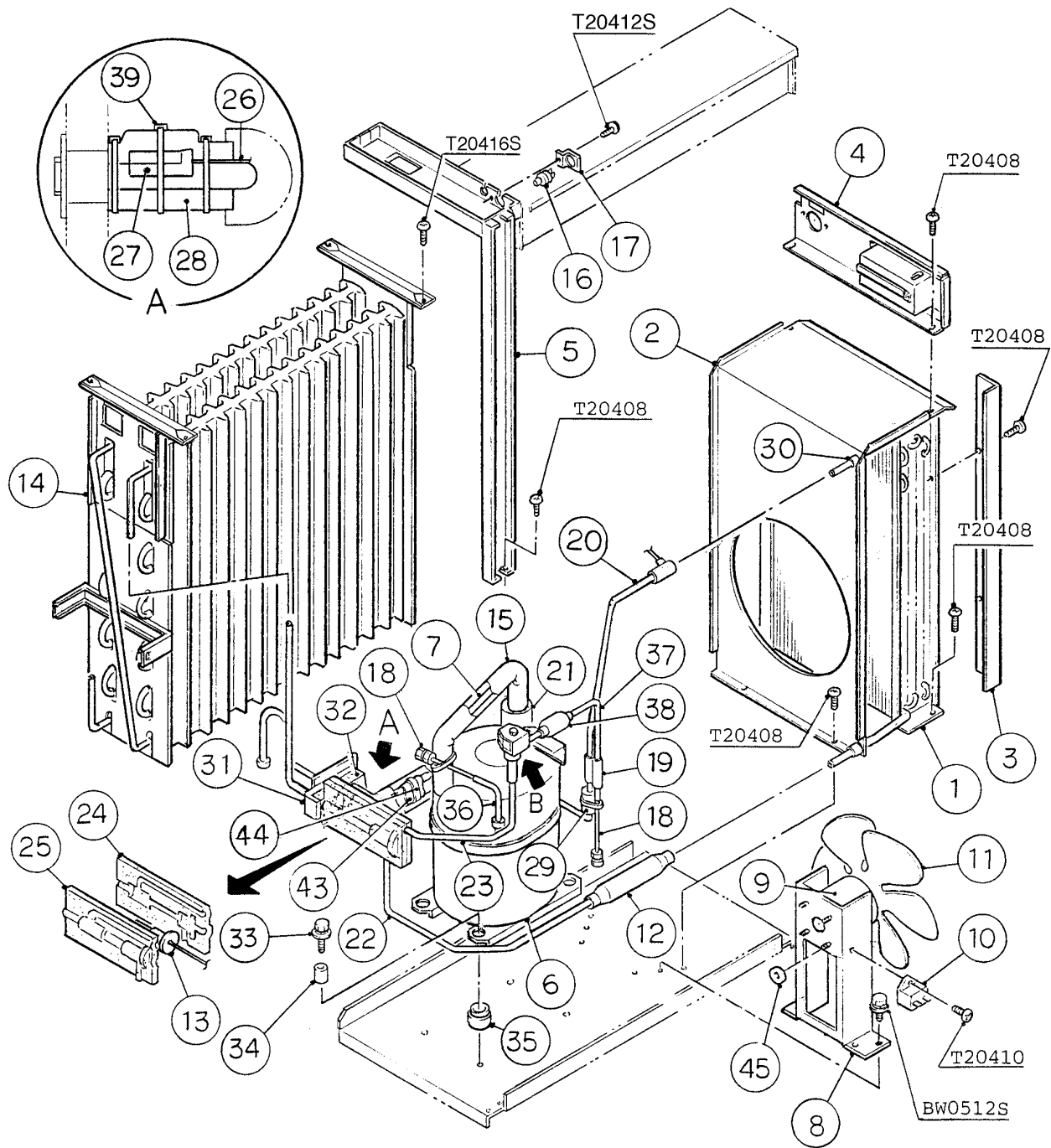


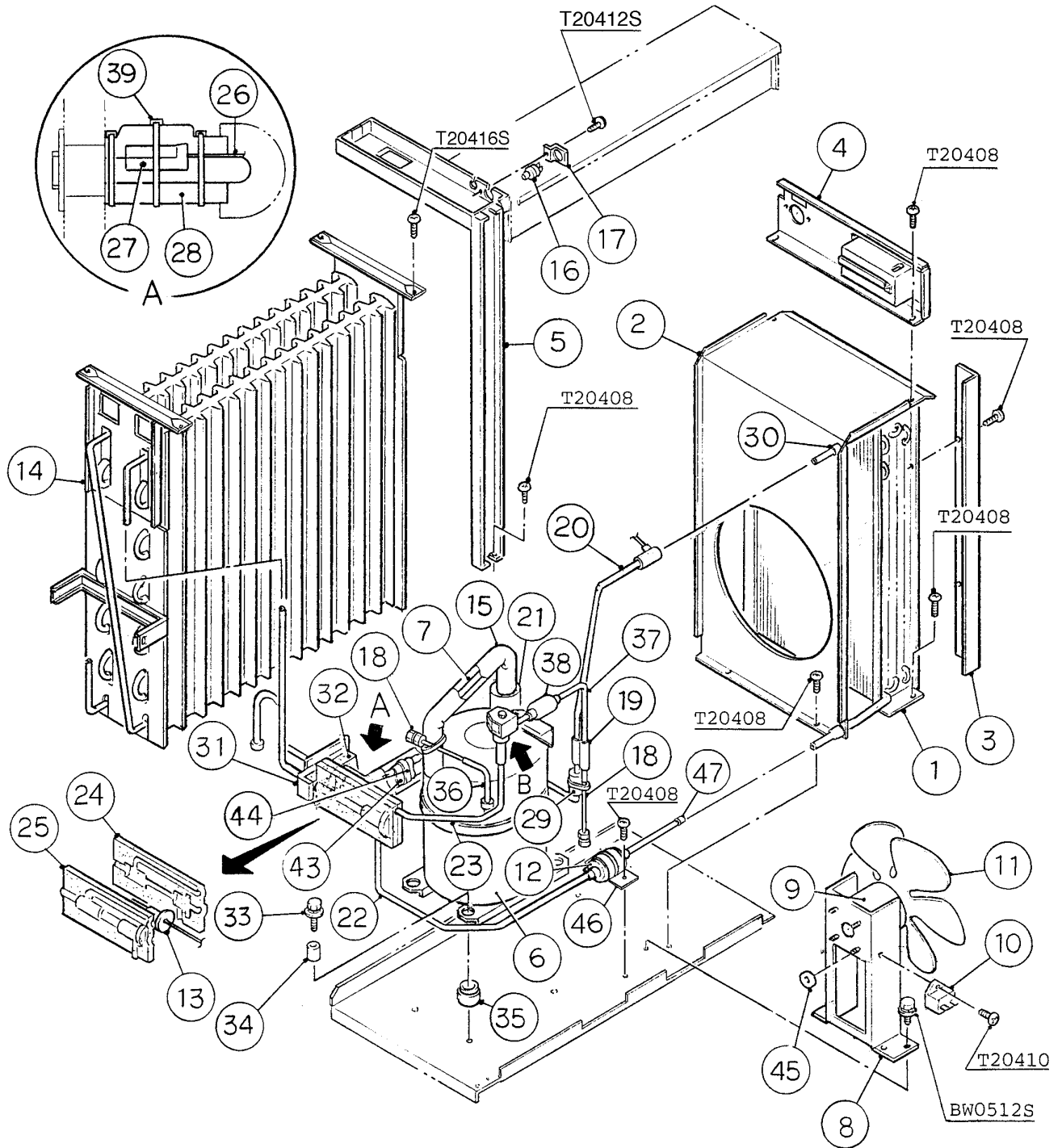
HA

KM-630MAE

B. REFRIGERATION CIRCUIT

D-0, E-0, E-1, F-0



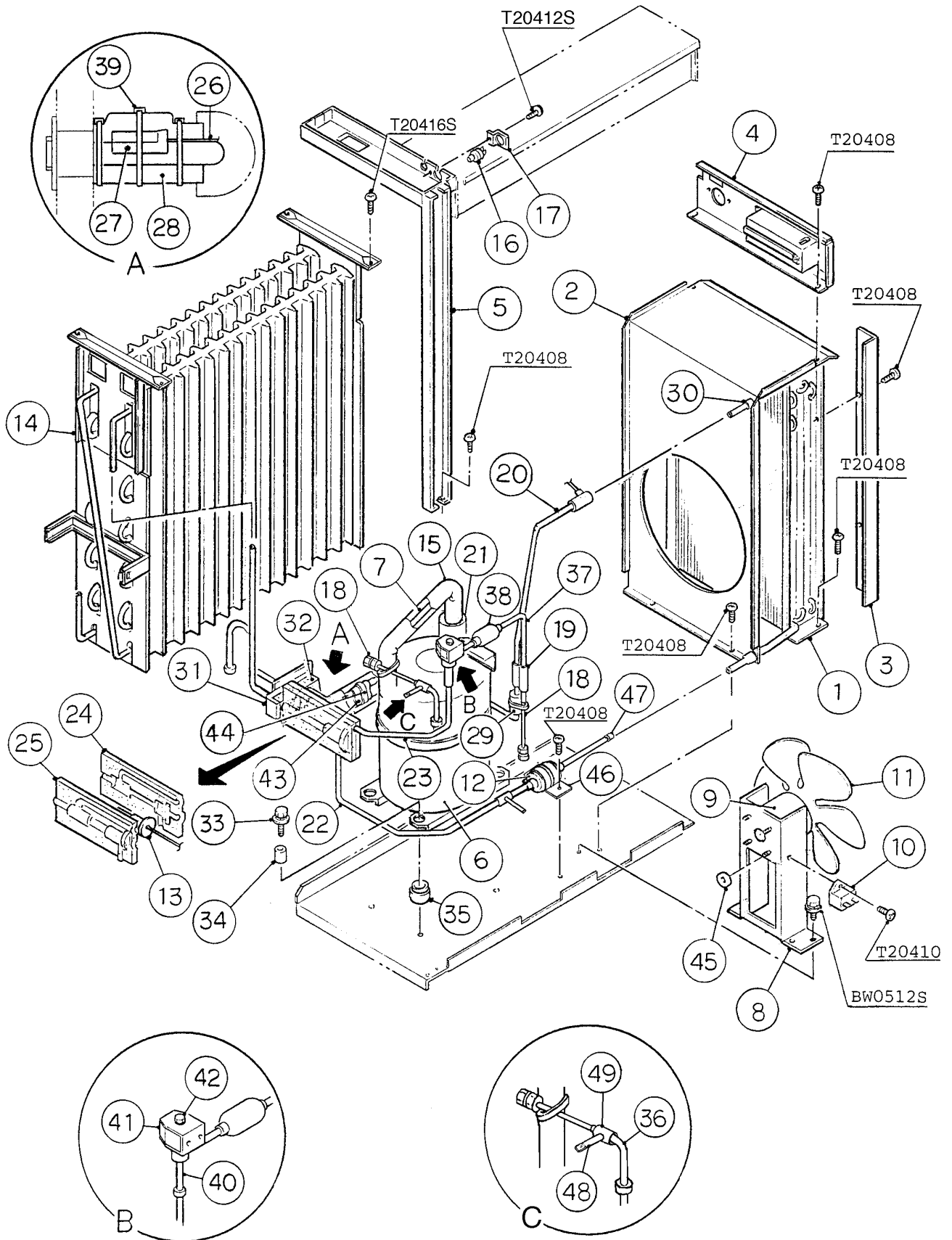


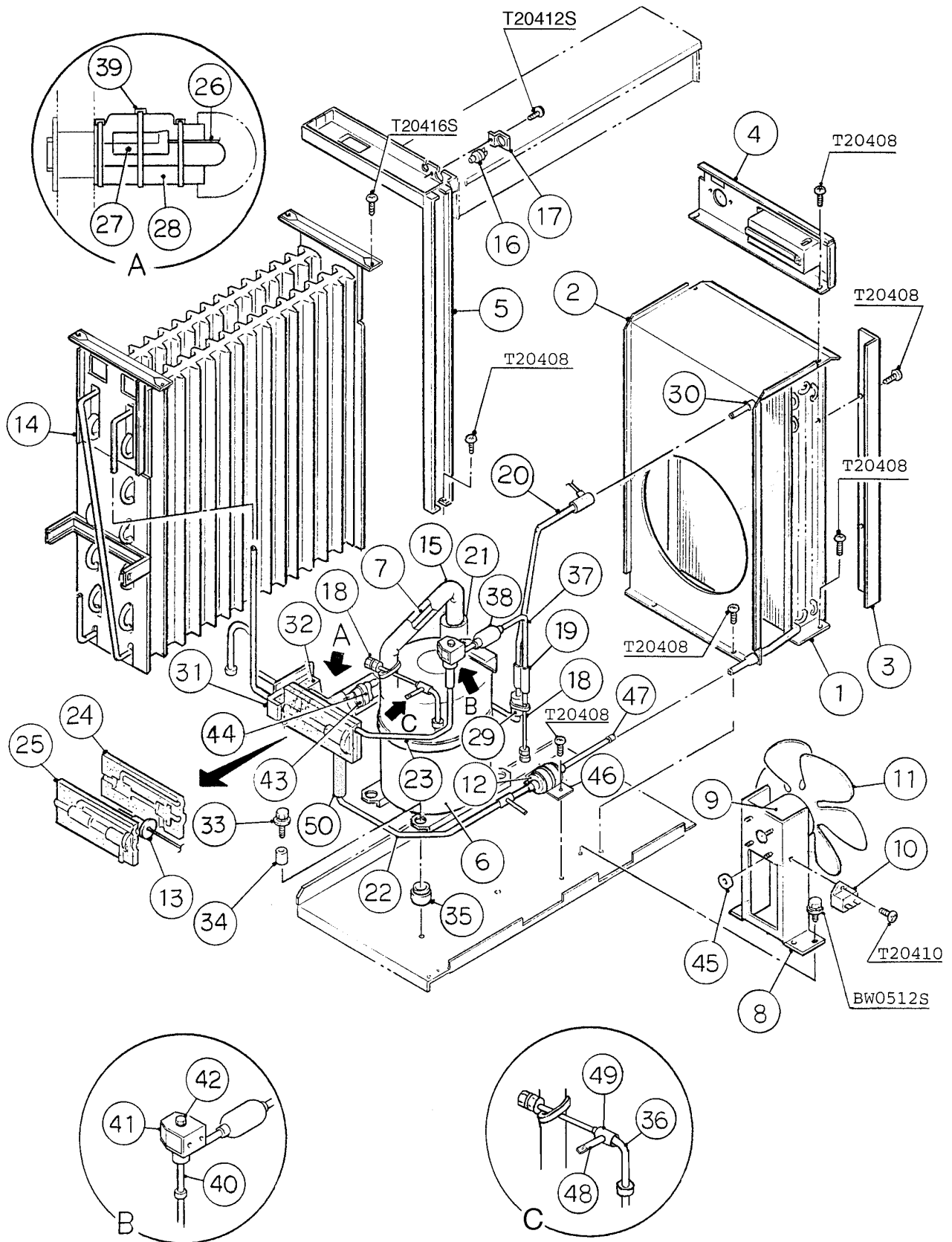
HA

KM-630MAE

B. REFRIGERATION CIRCUIT

G-1, H-0, H-1, H-2, H-3, H-4

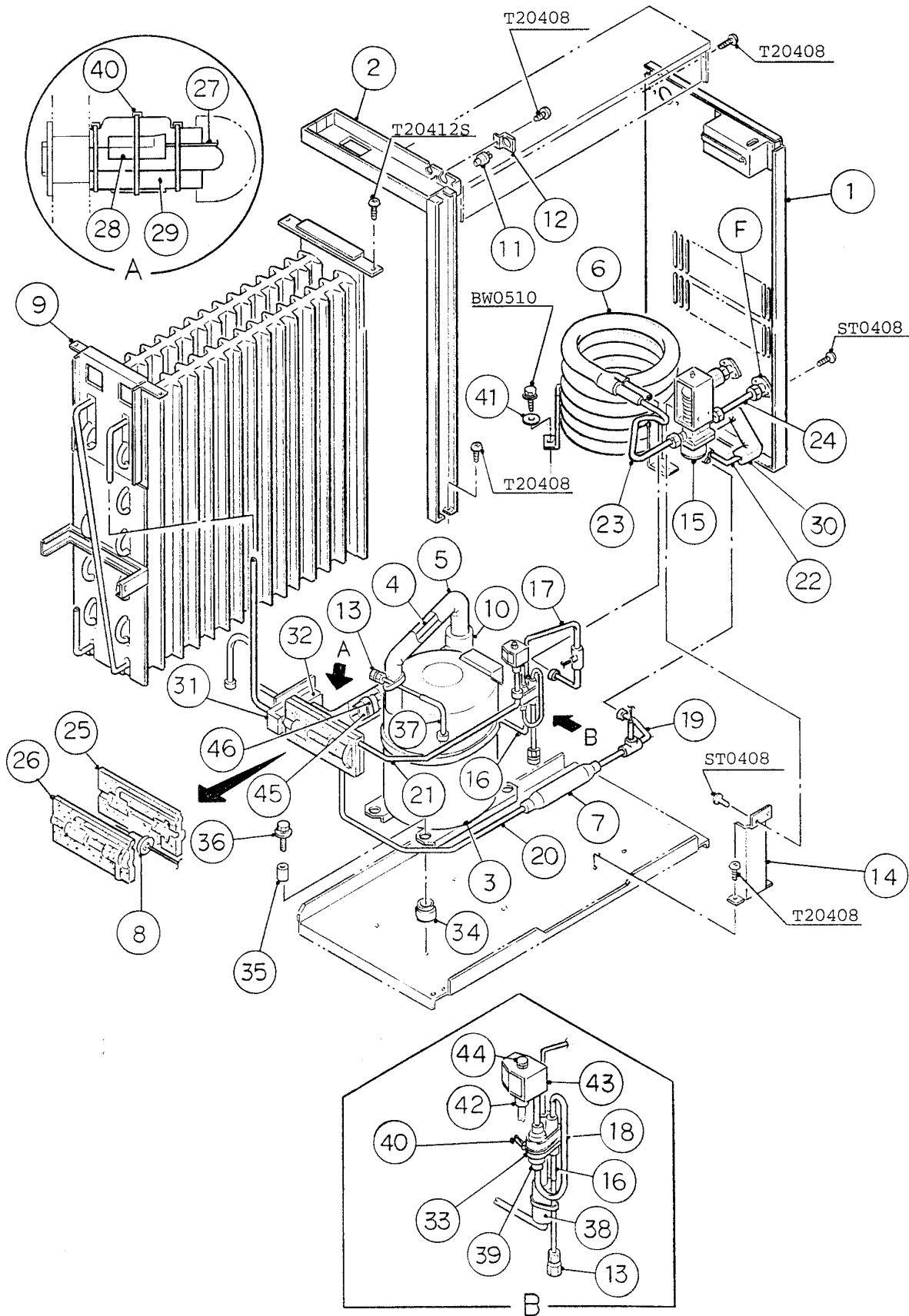


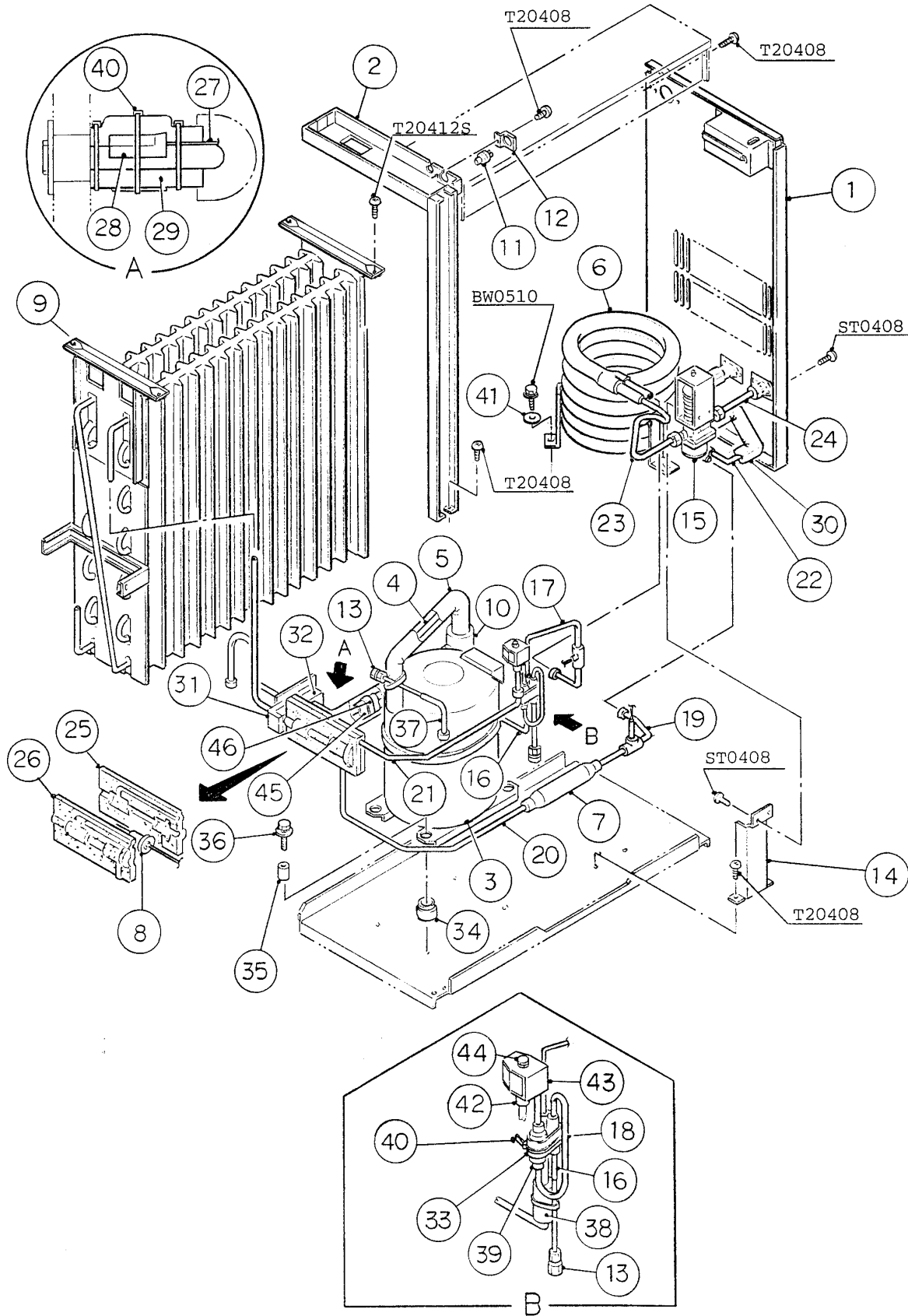


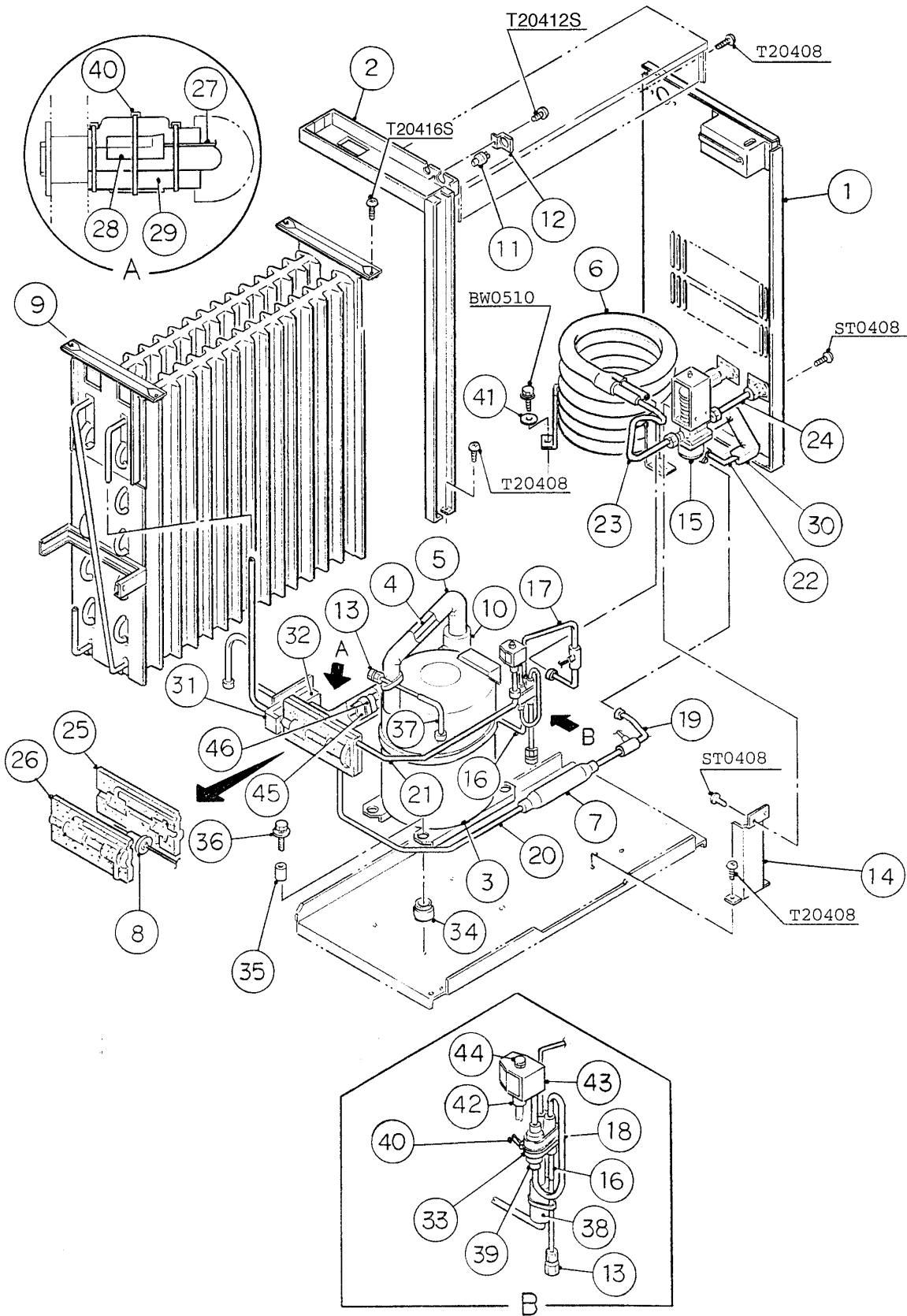
MODEL: KM-630MAE TITLE: B. REFRIGERATION CIRCUIT												
INDEX NO.	DESCRIPTION	MATERIAL OR MODEL NUMBER	PART NUMBER	REQUIRED NUMBER								
				C-0	C-1	C-2	C-3	D-0 E-0	E-1 F-0	F-1 G-0	G-1 H-0 H-1	H-2 H-3 H-4 J-0
1	CONDENSER	-	218912-01	1	1	1	1	1	1	1	1	1
2	SHROUD	GS	212217-01	1	1	1	1	1	1	1	1	1
3	BARRIER	GS	433693-02	1	1	1	1	1	1	1	1	1
4	REAR PANEL	GS	322008G04	1	1	-						
		GS	322008G05			1	1	1	-			
		GS	322008G06						1	1	1	1
5	FRAME	GS	321515G06	1	1	1	1	1	1	1	1	1
6	COMPRESSOR	REK3-0125-PFV	434209-01	1	1	1	1	1	1	1	1	1
7	COPPER TUBE (B) - LOW SIDE	COPPER	218085-01	1	1	1	1	1	1	1	1	1
8	FAN MOTOR BRACKET	GS	327180-01	1	1	1	1	1	1	1	1	1
9	FAN MOTOR	U90B1, 7190-1031	440911-01	1	1	1	1	1	1	1	1	1
10	CAPACITOR	5MFD, 250V	443192-02	1	1	1	1	1	1	1	1	1
11	FAN BLADE	C23603-1	443972-01	1	x1							
		AD10CW32	444898-01		o1	1	1	1	1	1	1	1
12	DRIER	KC-7071	427061-02	1	1	1	1	1	1	x1		
		C-0325-S	445007-01							o1	1	1
13	EXPANSION VALVE	HFE-1.0HHD-2	443305-02	1	1	1	1	1	1	1	1	1
14	EVAPORATOR	-	104168G01	1	-							
		-	106396G01		1	1	1	1	1	1	1	1
15	INSULATION TUBE	L=480	7762-2030	1	1	1	1	1	1	1	1	1
16	PRESSURE SWITCH	ACB-2UB04	433441-05	1	1	1	1	1	1	1	1	1
17	PRESSURE SWITCH BRACKET	GS	434578-01	1	1	1	1	1	1	1	1	1
18	ACCESS VALVE	TCJ-2F15-HD	417366-01	2	2	2	2	2	2	2	2	2

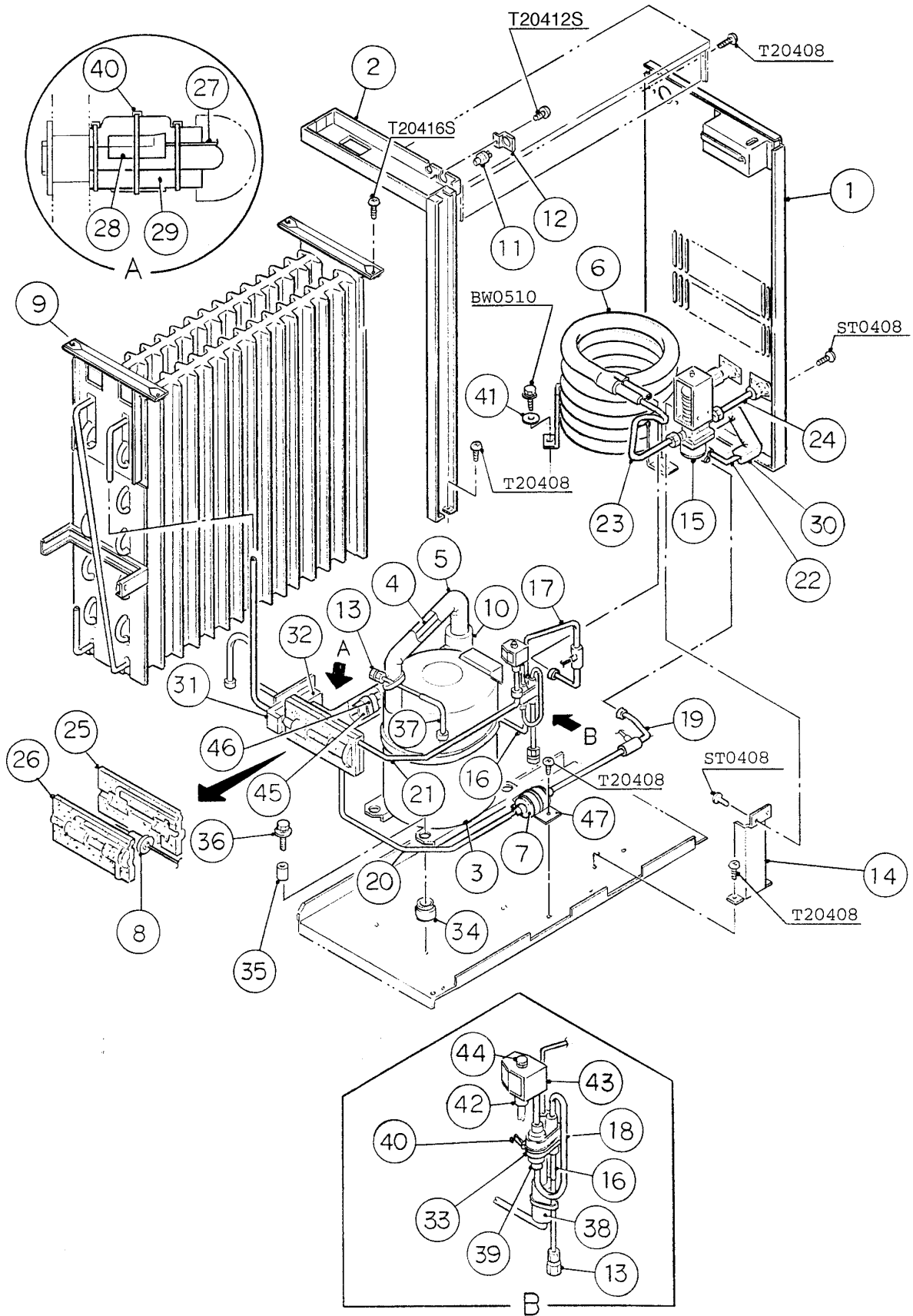
MODEL: KM-630MAE TITLE: B. REFRIGERATION CIRCUIT													
INDEX NO.	DESCRIPTION	MATERIAL OR MODEL NUMBER	PART NUMBER	REQUIRED NUMBER									
				C-0	C-1	C-2	C-3	D-0 E-0	E-1 F-0	F-1 G-0	G-1 H-0 H-1	H-2 H-3 H-4 J-0	
19	COPPER TUBE (A) - HIGH SIDE	COPPER	322114G02	1	1	1	1	1	1	1	1	x1	
		COPPER	322114G03									o1	
20	COPPER TUBE (B) - HIGH SIDE	COPPER	434177G02	1	1	1	1	1	1	1	1	1	
21	INSULATION TUBE	L=380	7762-2646	1	1	1	1	1	1	1	1	1	
22	COPPER TUBE (E) - HIGH SIDE	COPPER	329422-01	1	1	1	1	1	1	1	x1		
		COPPER	329422G01								o1	x1	
		COPPER	329422-01									o1	
23	COPPER TUBE - LOW SIDE	COPPER	330243G01	1	-								
		COPPER	322121G01		1	1	1	1	1	1	1	1	
24	EXPANSION VALVE COVER (A)	PE FOAM	321425-01	1	1	1	1	1	1	1	1	1	
25	EXPANSION VALVE COVER (A)	PE FOAM	321425-02	1	1	1	1	1	1	1	1	1	
26	THERMISTOR	-	429006-03	1	1	1	1	1	1	1	1	1	
27	HOLDER - THERMISTOR	COPPER	427430-01	1	1	1	1	1	1	1	1	1	
28	INSULATION - THERMISTOR	PE FOAM	427441-01	1	1	1	1	1	1	1	1	1	
29	INSULATION TUBE	L=40	7762-1020	1	1	2	2	2	2	2	2	2	
30	BUSHING	OCB-625	428394-03	2	2	2	2	2	2	2	2	2	
31	RUBBER TUBE (A)	(433694A01) EPDM	321424-01	1	1	1	1	1	1	1	1	1	
32	INSULATION	PE FOAM	433695-01	1	1	1	1	1	1	1	1	1	
33	BOLT	8x45	437889-01	4	4	4	4	4	4	4	4	4	
34	SPACER	027-0072-02	434404-01	4	4	4	4	4	4	4	4	4	
35	GROMMET	027-0073-00	434403-01	4	4	4	4	4	4	4	4	4	

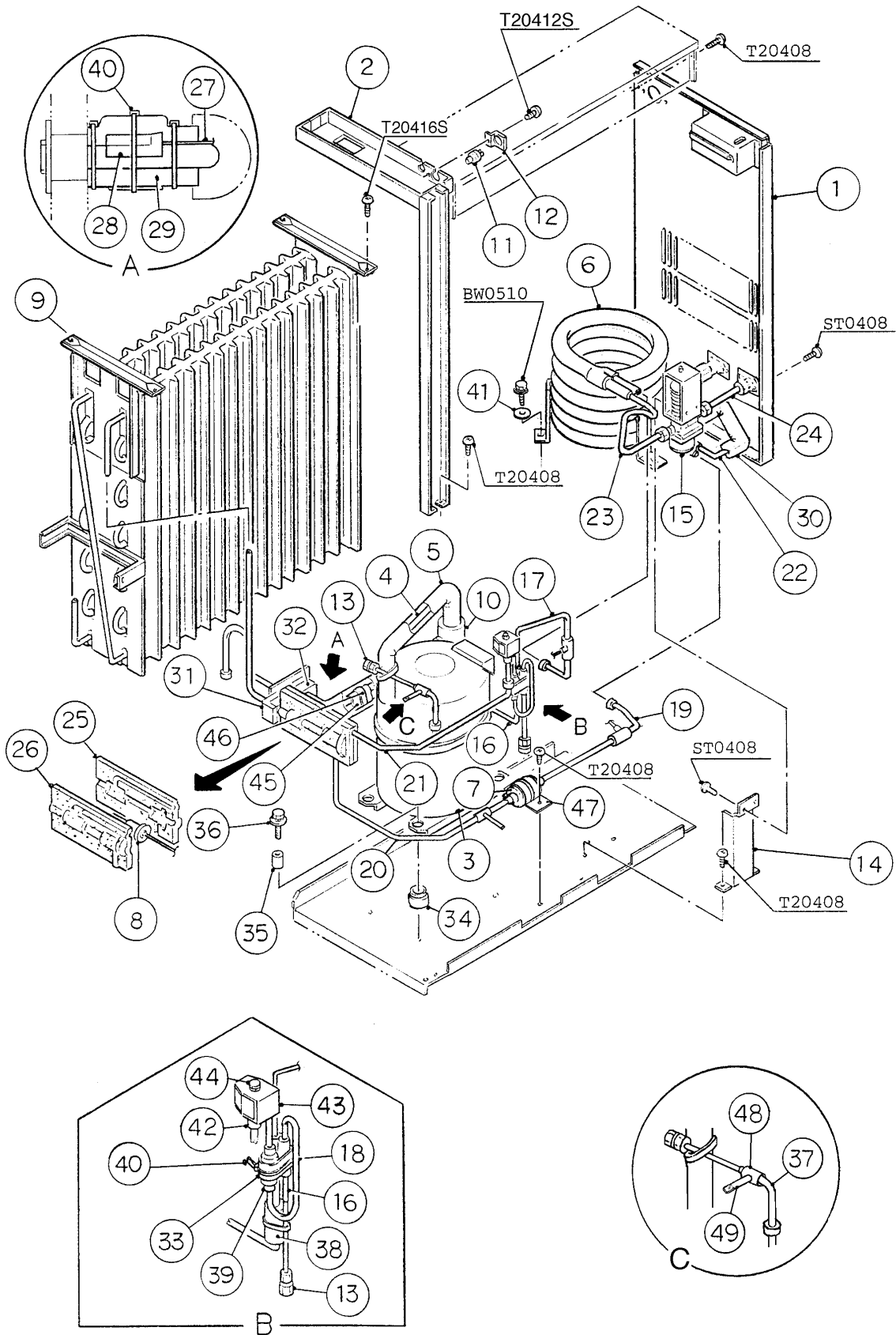
MODEL: KM-630MAE TITLE: B. REFRIGERATION CIRCUIT													
INDEX NO.	DESCRIPTION	MATERIAL OR MODEL NUMBER	PART NUMBER	REQUIRED NUMBER									
				C-0	C-1	C-2	C-3	D-0 E-0	E-1 F-0	F-1 G-0	G-1 H-0 H-1 H-2 H-3 H-4	J-0	
36	COPPER TUBE - ACCESS VALVE	COPPER	434176-01	1	1	1	1	1	1	1	1	x1	
		COPPER										o1	1
37	COPPER TUBE (B) - HOT GAS	COPPER	434201-01	1	1	1	1	1	1	1	1	1	1
38	STRAINER	-	441569-02	1	1	1	1	1	1	1	1	1	1
39	CABLE TIE	CV-200	7920-0010	3	3	3	3	3	3	3	3	3	3
40	VALVE BODY	70	440352-01	1	1	1	1	1	1	1	1	1	1
41	COIL - VALVE	ABS-25-1-HD-2	440353-01	1	1	1	1	1	1	1	1	1	1
42	BOLT	4x6	440353F01	1	1	1	1	1	1	1	1	1	1
43	HOLDER / EXP. VALVE - 3/8	SS	3A0107-01	1	1	1	1	1	1	1	1	1	1
44	CLAMP	SS	443461-02	1	1	1	1	1	1	1	1	1	1
45	SELF-LOCKING NUT	SS	7N21I0832					4	4	4	4	4	4
46	DRIER BRACKET	GS	4A0807-01							1	1	1	1
47	COPPER TUBE (F) - HIGH SIDE	COPPER	4A1108-01							1	1	1	1
48	EVACUATION TUBE	COPPER	4A1212-01								1	1	1
49	TEE	COPPER	436000-13								1	1	1
50	INSULATION TUBE	L=150	7762-1020										1

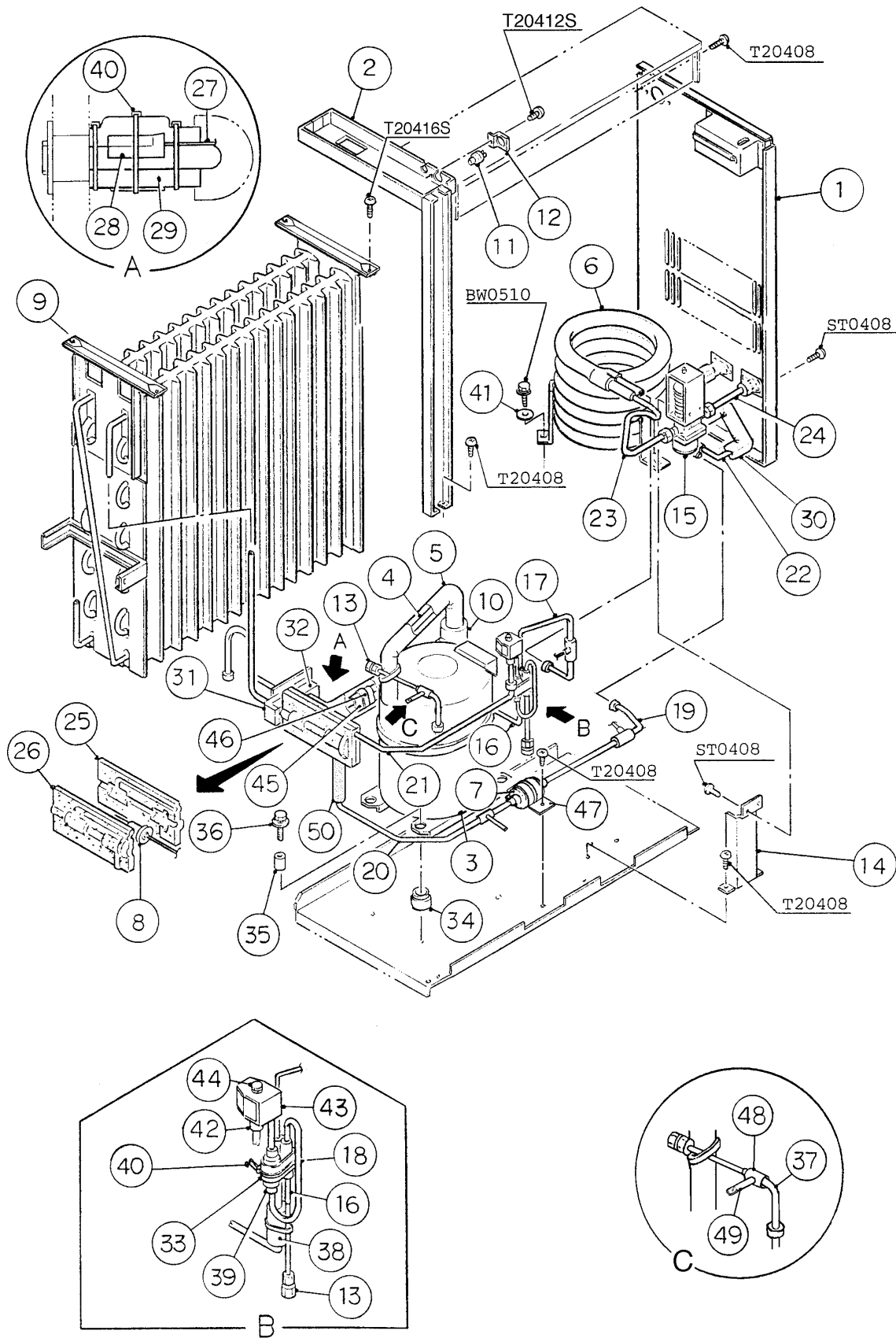








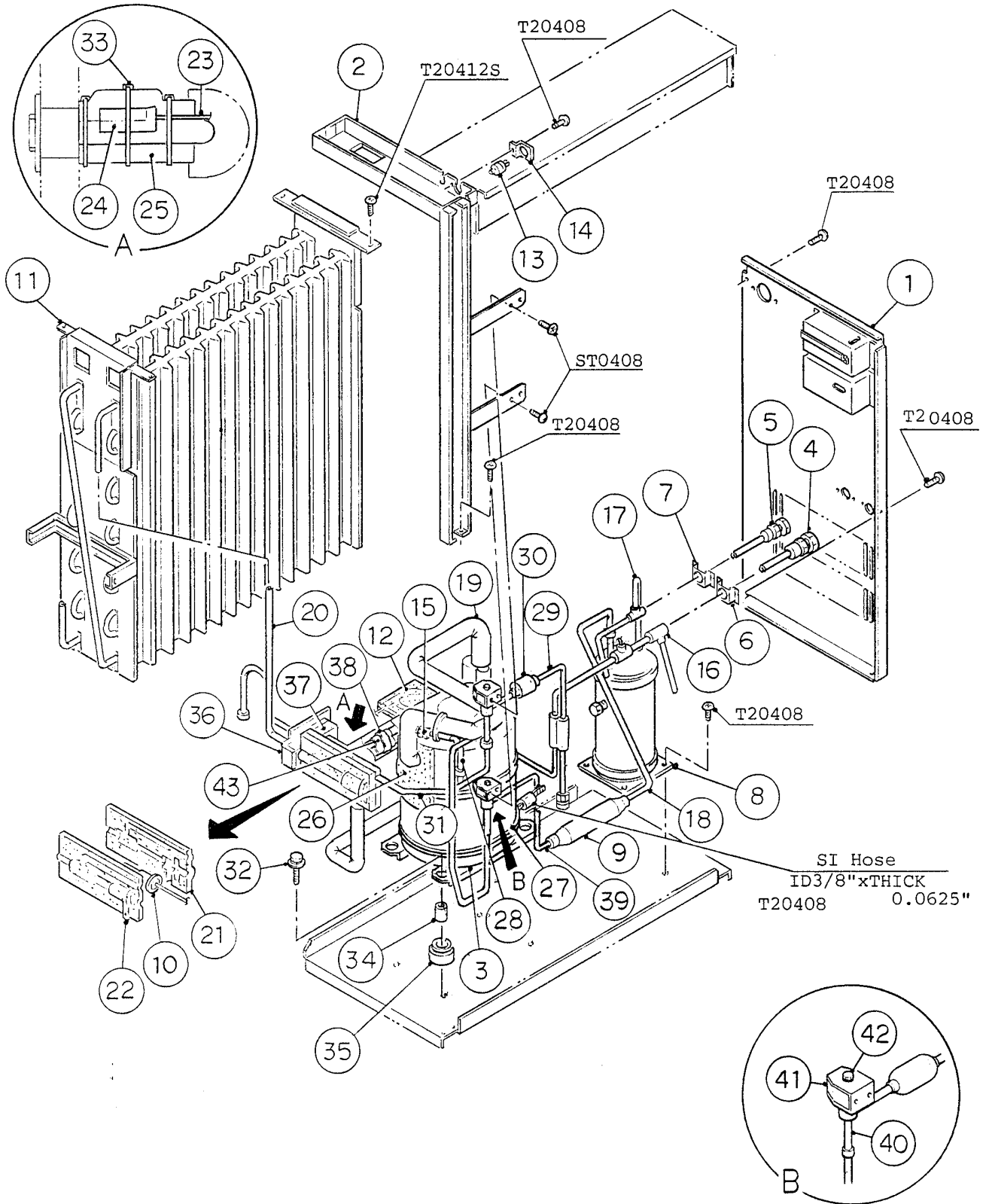


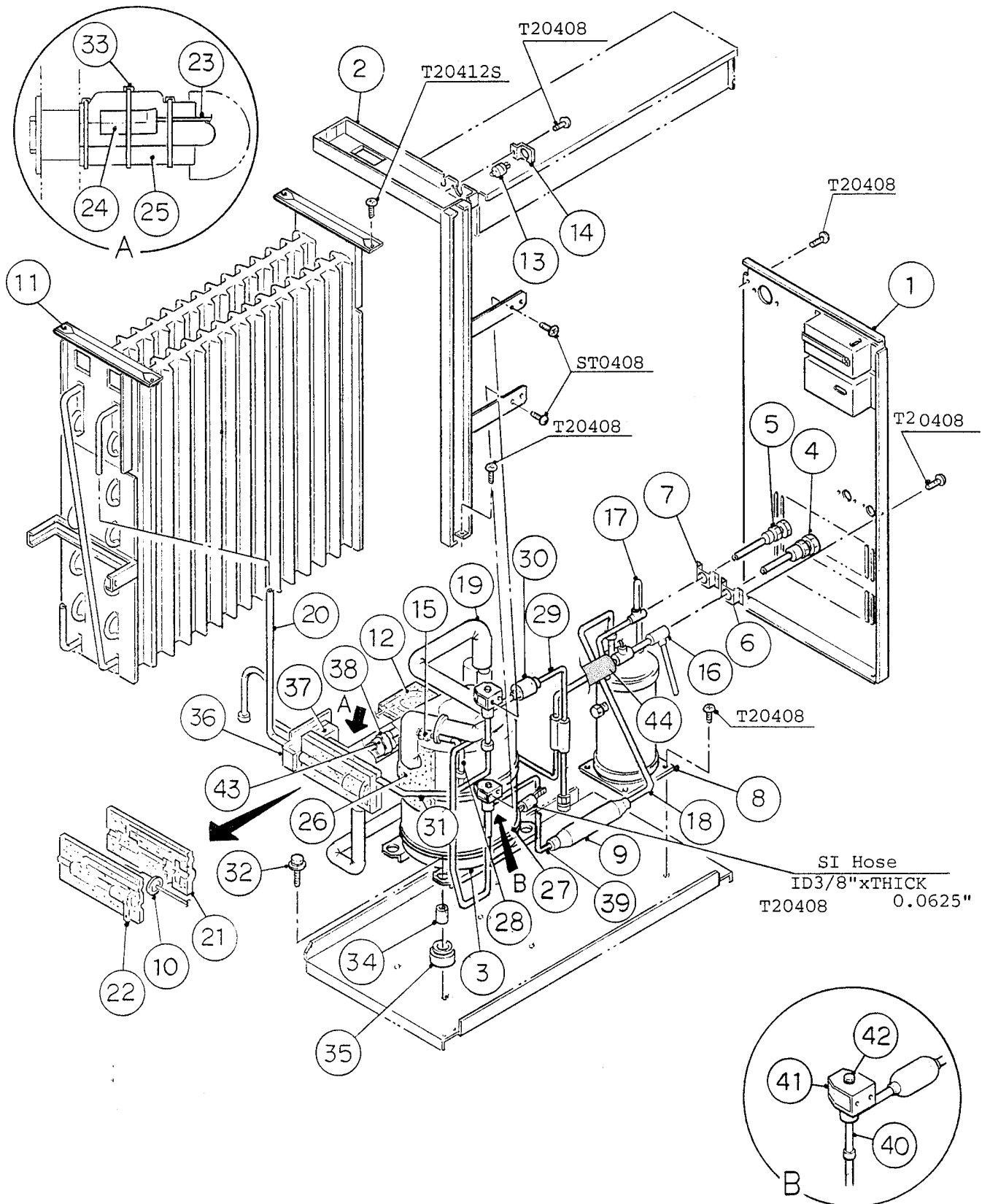


MODEL: KM-630MWE TITLE: B. REFRIGERATION CIRCUIT												
INDEX NO.	DESCRIPTION	MATERIAL OR MODEL NUMBER	PART NUMBER	REQUIRED NUMBER								
				C-0	C-1	C-2	C-3 D-0 E-0	E-1 F-0	F-1	G-0 G-1 H-0 H-1	H-2 H-3	J-0
F	FITTING (P) ASSEMBLY	(S-0351)	311425A01	2	2	-						
1	REAR PANEL	GS	211869G04	1	1	-						
		GS	211869G05			1	1	-				
		GS	211869G06					1	1	1	1	1
2	FRAME	GS	321515G04	1	1	1	1	1	1	1	1	1
3	COMPRESSOR	REK3-0125-PFV	434209-01	1	1	1	1	1	1	1	1	1
4	COPPER TUBE (B) - LOW SIDE	COPPER	218085-01	1	1	1	1	1	1	1	1	1
5	INSULATION TUBE	L=480	7762-2030	1	1	1	1	1	1	1	1	1
6	CONDENSER - WATER-COOLED	-	212929-02	1	1	1	1	1	1	x1		
		-	212929-03								o1	1
7	DRIER	KC-7071	427061-02	1	1	1	1	1	x1			
		C-0325-S	445007-01							o1	1	1
8	EXP. VALVE	HFE-1.0HHD-2	443305-02	1	1	1	1	1	1	1	1	1
9	EVAPORATOR	-	104168G01	1	-							
		-	106396G01		1	1	1	1	1	1	1	1
10	INSULATION TUBE	L=380	7762-2646	1	1	1	1	1	1	1	1	1
11	PRESSURE SWITCH	ACB-2UB02	433441-01	1	1	1	1	1	1	1	1	1
12	PRESSURE SWITCH BRACKET	GS	434578-01	1	1	1	1	1	1	1	1	1
13	ACCESS VALVE	TCJ-2F15-HD	417366-01	2	2	2	2	2	2	2	2	2
14	WATER REGULATOR BRACKET	GS	433701-01	1	1	1	1	1	1	1	1	1
15	WATER - REGULATOR	WV11-33RHD	415425-01	1	1	1	1	1	1	1	1	1

MODEL: KM-630MWE TITLE: B. REFRIGERATION CIRCUIT												
INDEX NO.	DESCRIPTION	MATERIAL OR MODEL NUMBER	PART NUMBER	REQUIRED NUMBER								
				C-0	C-1	C-2	C-3 D-0 E-0	E-1 F-0	F-1 G-0	G-1 H-0 H-1	H-2 H-3	J-0
16	COPPER TUBE (A) - HIGH SIDE	COPPER	322802G01	1	1	1	1	1	1	1	1	1
17	COPPER TUBE (C) - HIGH SIDE	COPPER	435486G01	1	1	1	1	1	1	1	1	1
18	COPPER TUBE (A) - HOT GAS	COPPER	435252-01	1	1	1	1	1	1	1	1	1
19	COPPER TUBE (B) - HIGH SIDE	COPPER	435485G01	1	1	1	1	1	1	1	1	1
20	COPPER TUBE (E) - HIGH SIDE	COPPER	329422-01	1	1	1	1	1	x1			
		COPPER	329422-02						o1	x1		
		COPPER	329422G02								o1	x1
	COPPER TUBE (E2) - HIGH SIDE	COPPER	329422-02								o1	1
21	COPPER TUBE - LOW SIDE	COPPER	322113G01	1	1	1	1	1	1	1	1	1
22	COPPER TUBE (A) - WATER CIRCUIT	COPPER	435482-01	1	1	-						
		COPPER	4A0215G01			1	1	-				
		COPPER	4A0784G01					1	1	1	1	1
23	COPPER TUBE (B) - WATER CIRCUIT	COPPER	323941-01	1	1	1	1	1	1	1	1	1
24	COPPER TUBE (C) - WATER CIRCUIT	COPPER	435484-01	1	1	-						
		COPPER	4A0216G01			1	1	-				
		COPPER	4A0783G01					1	1	1	1	1
25	EXP. VALVE COVER (A)	PE FOAM	321425-01	1	1	1	1	1	1	1	1	1
26	EXP. VALVE COVER (B)	PE FOAM	321425-02	1	1	1	1	1	1	1	1	1
27	THERMISTOR	-	429006-03	1	1	1	1	1	1	1	1	1
28	HOLDER - THERMISTOR	COPPER	427430-01	1	1	1	1	1	1	1	1	1
29	INSULATION - THERMISTOR	PE FOAM	427441-01	1	1	1	1	1	1	1	1	1
30	INSULATION TUBE	L=440	7762-1323	1	1	1	1	1	1	1	1	1
31	RUBBER TUBE (A)	(433694A01) EPDM	321424-01	1	1	1	1	1	1	1	1	1

MODEL: KM-630MWE TITLE: B. REFRIGERATION CIRCUIT												
INDEX NO.	DESCRIPTION	MATERIAL OR MODEL NUMBER	PART NUMBER	REQUIRED NUMBER								
				C-0	C-1	C-2 C-3	D-0 E-0	E-1 F-0	F-1 G-0	G-1 H-0 H-1	H-2 H-3	J-0
32	INSULATION	PE FOAM	433695-01	1	1	1	1	1	1	1	1	1
33	INSULATION TUBE	L=150	7762-1020	1	1	1	1	1	1	1	1	1
34	GROMMET	027-0073-00	434403-01	4	4	4	4	4	4	4	4	4
35	SPACER	027-0072-02	434404-01	4	4	4	4	4	4	4	4	4
36	BOLT	8x45	437889-01	4	4	4	4	4	4	4	4	4
37	COPPER TUBE - ACCESS VALVE	COPPER	434176-01	1	1	1	1	1	1	x1		
		COPPER	4A1247-01							o1	1	1
38	INSULATION TUBE	L=40	7762-1020	1	1	2	2	2	2	2	2	2
39	STRAINER	-	441569-01	1	1	1	1	1	1	1	1	1
40	CABLE TIE	CV-200	7920-0010	4	4	4	4	4	4	4	4	4
41	WASHER	SS	434892-01	3	3	3	x3					
		SS	4A0655-03				o3	3	3	3	3	3
42	VALVE BODY	24	440351-01	1	1	1	1	1	1	1	1	1
43	COIL - VALVE	ADS-24HD-2	440355-01	1	1	1	1	1	1	1	1	1
44	BOLT	M4x0.7	440355F01	1	1	1	1	1	1	1	1	1
45	HOLDER / EXP. VALVE - 3/8	SS	3A0107-01	1	1	1	1	1	1	1	1	1
46	CLAMP	SS	443461-02	1	1	1	1	1	1	1	1	1
47	DRIER BRACKET	GS	4A0807-01						1	1	1	1
48	TEE	COPPER	436000-13							1	1	1
49	EVACUATION TUBE	COPPER	4A1212-01							1	1	1
50	INSULATION TUBE	L=150	7762-1020									1



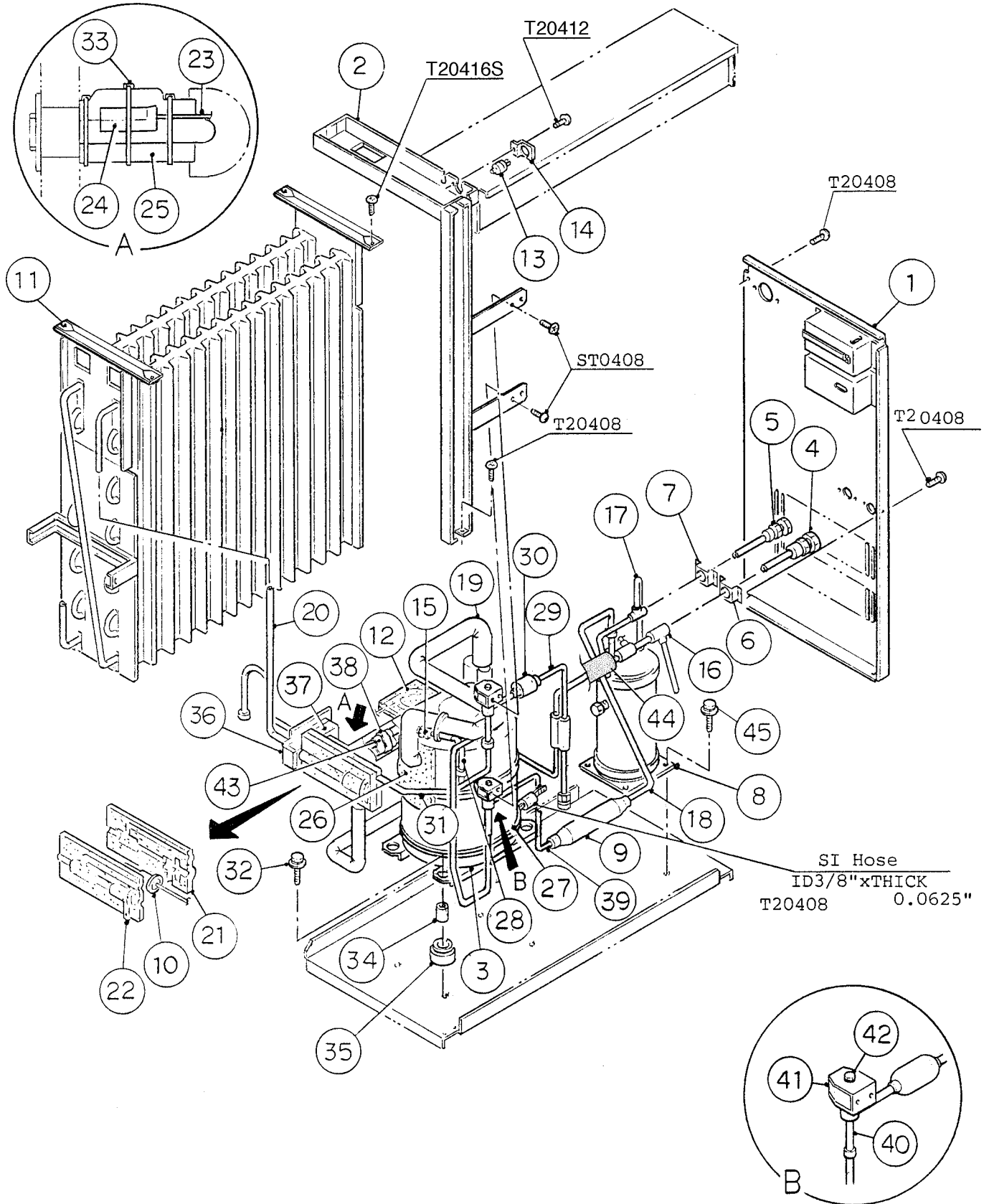


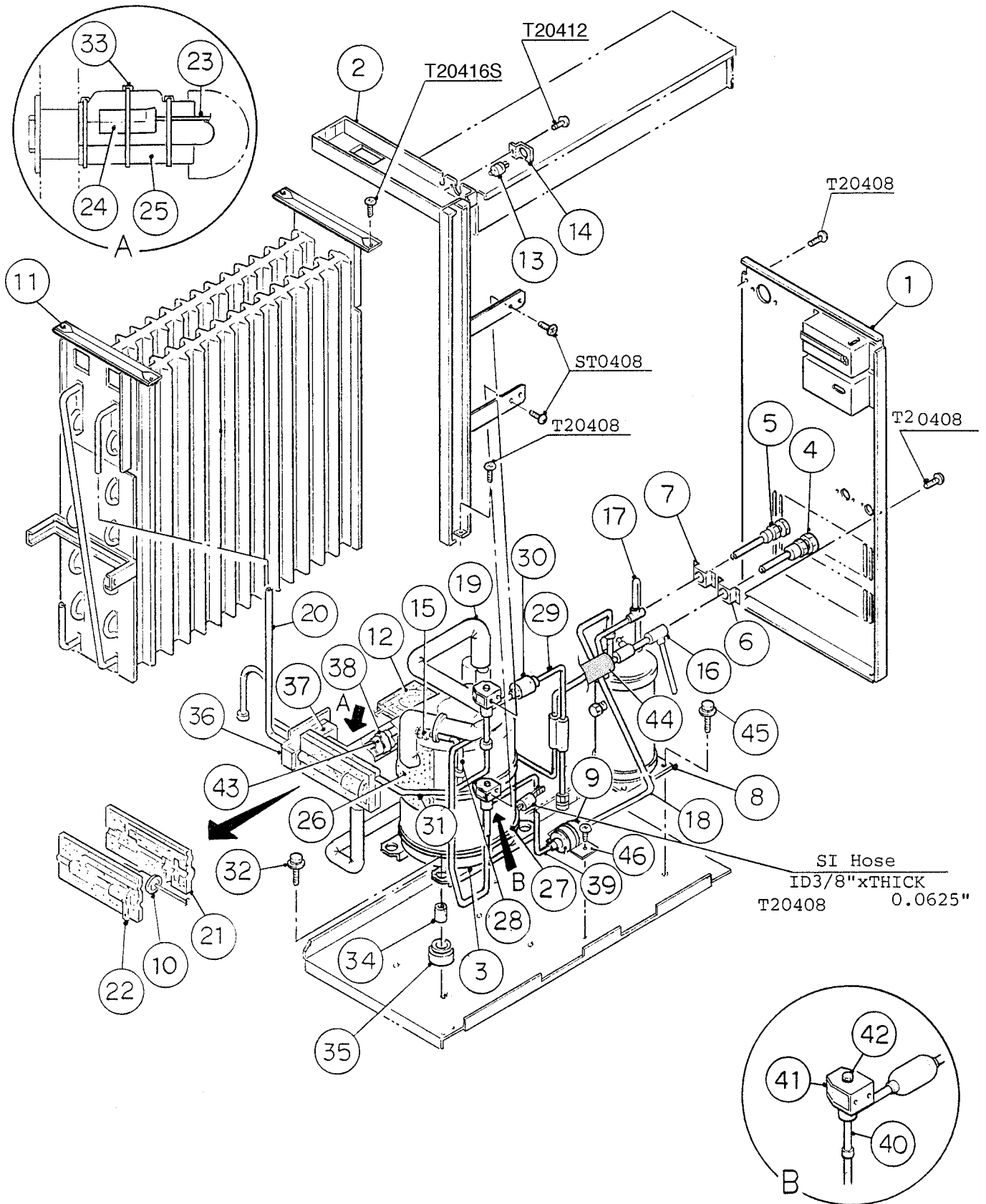
HA

KM-630MRE

B. REFRIGERATION CIRCUIT

D-0, E-0, E-1, F-0



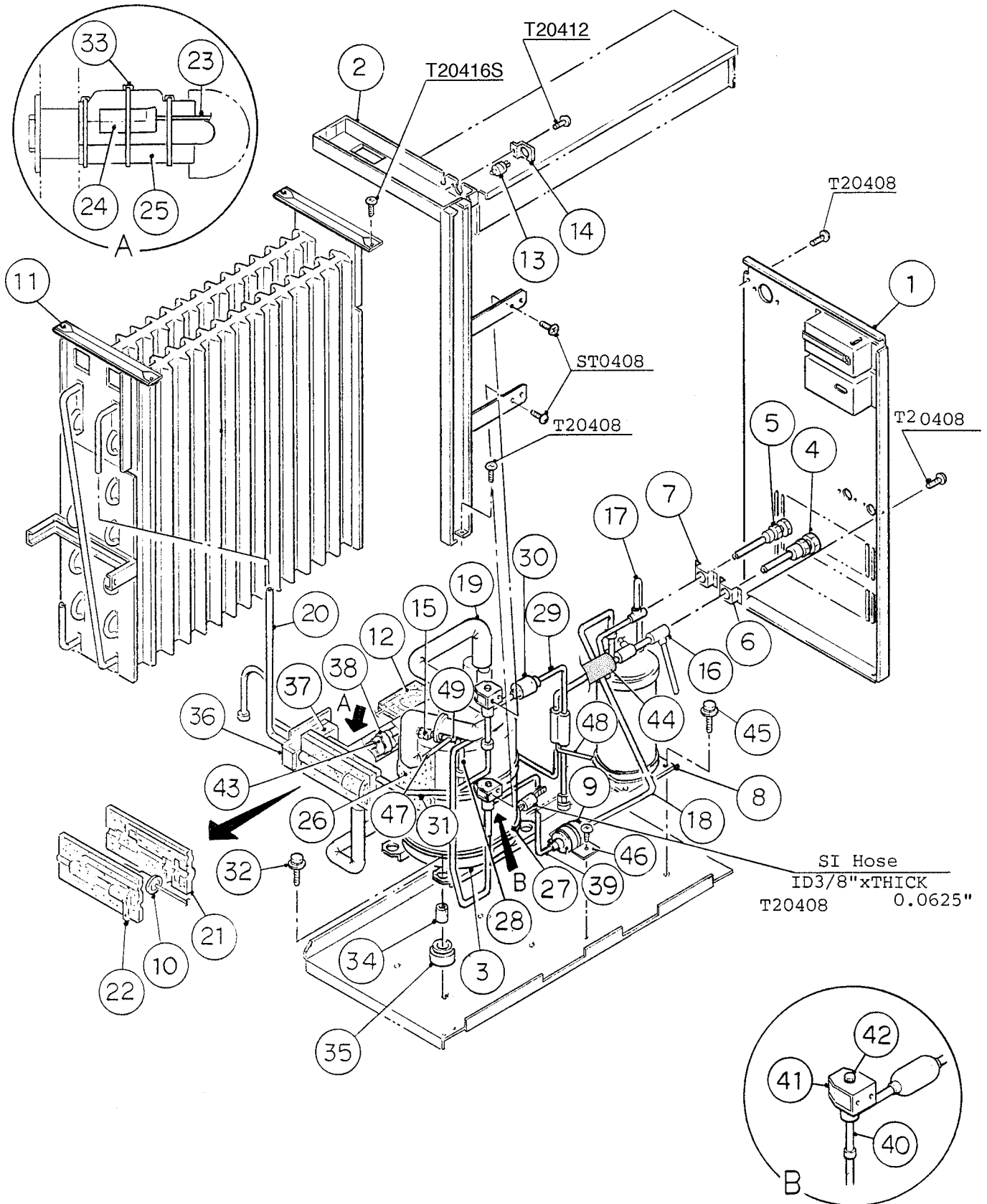


HA

KM-630MRE

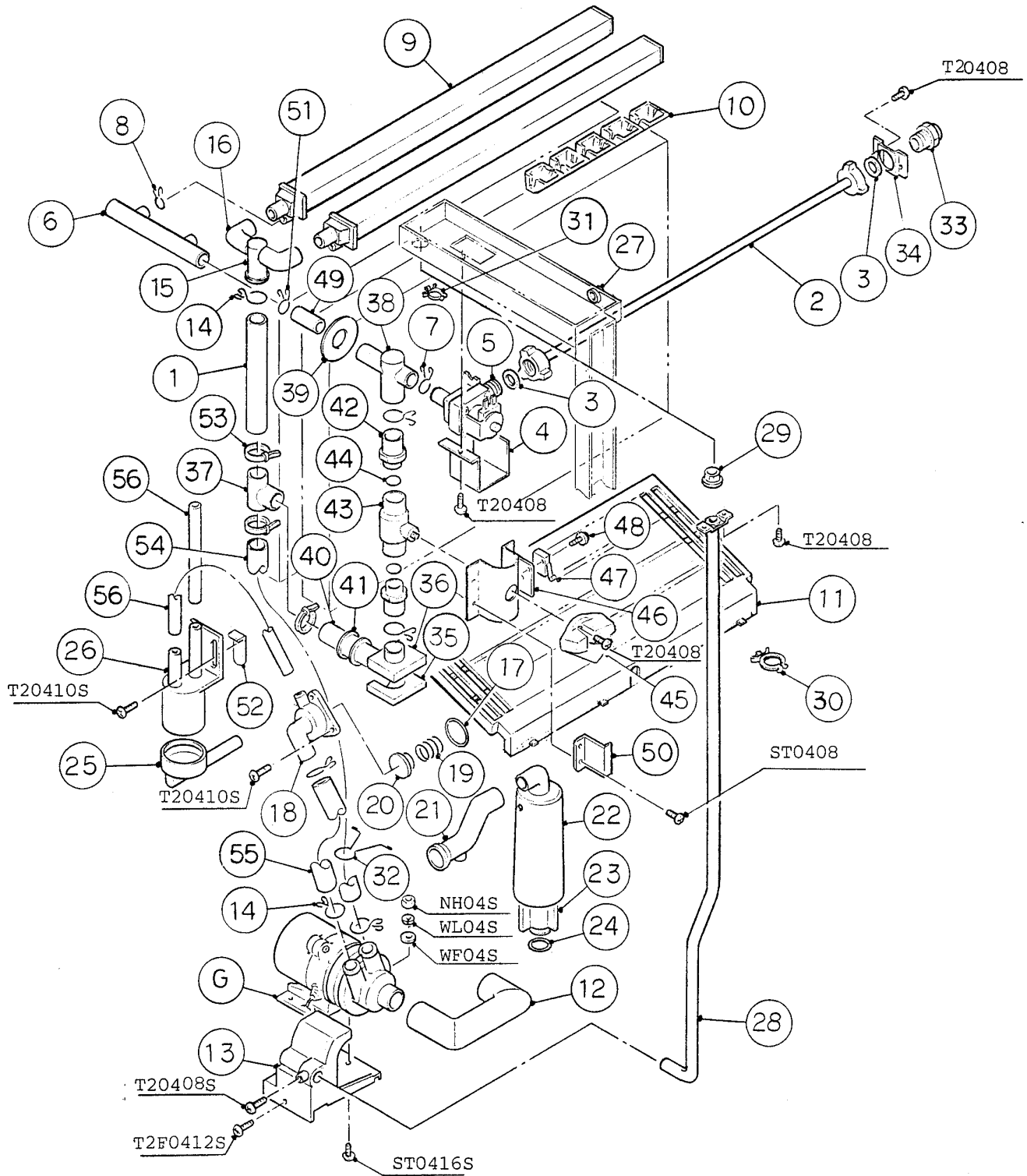
B. REFRIGERATION CIRCUIT

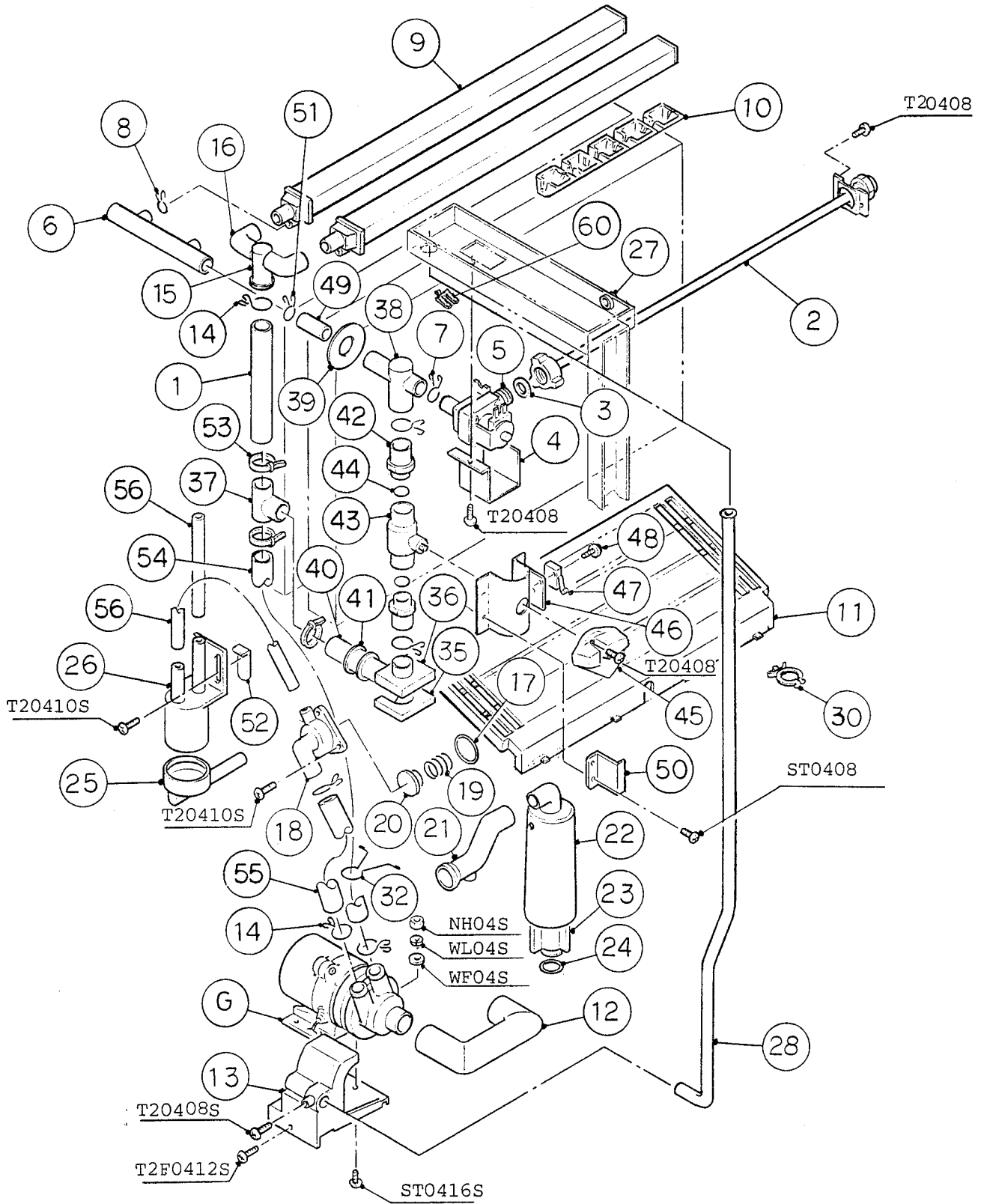
G-1, H-0, H-1, H-2, H-3, H-4, J-0



MODEL: KM-630MRE TITLE: B. REFRIGERATION CIRCUIT												
INDEX NO.	DESCRIPTION	MATERIAL OR MODEL NUMBER	PART NUMBER	REQUIRED NUMBER								
				C-0	C-1	C-2	C-3	D-0 E-0	E-1 F-0	F-1 G-0 G-1	H-0 H-1 H-2	H-3 H-4 J-0
1	REAR PANEL	GS	211805G06	1	1	-						
		GS	211805G07			1	1	1	-			
		GS	211805G08						1	1	1	1
2	FRAME	GS	321515G05	1	1	1	1	1	1	1	1	1
3	COMPRESSOR	REK3-0125-PFV	434209-01	1	1	1	1	1	1	1	1	1
4	COUPLING	COPPER	434136G01	1	1	1	1	1	1	1	1	1
5	COUPLING	COPPER	433751G01	1	1	1	1	1	1	1	1	1
6	TUBE HOLDER (L)	GS	438245-01	1	1	1	1	1	1	1	1	1
7	TUBE HOLDER (S)	GS	438246-01	1	1	1	1	1	1	1	1	1
8	RECEIVER TANK	RR KN	437596-01	1	1	1	1	1	1	1	1	1
9	DRIER	KC-7071	427061-02	1	1	1	1	1	1	x1		
		C-0325-S	445007-01							o1	1	1
10	EXPANSION VALVE	HFE-1.0HHD-2	443305-02	1	1	1	1	1	1	1	1	1
11	EVAPORATOR	-	104168G01	1	-							
		-	106396G01		1	1	1	1	1	1	1	1
12	INSULATION - CAPILLARY	PE FOAM	444472-01	2	2	2	2	2	2	2	2	2
13	PRESSURE SWITCH	ACB-2UB04	433441-05	1	1	1	1	1	1	1	1	1
14	PRESSURE SWITCH BRACKET	GS	434578-01	1	1	1	1	1	1	1	1	1
15	ACCESS VALVE	TCJ-2F15-HD	417366-01	1	1	1	1	1	1	1	1	1
16	COPPER TUBE - HIGH SIDE	COPPER	322120G01	1	1	1	1	1	1	1	1	1
17	COPPER TUBE (D) - HIGH SIDE	COPPER	324837G01	1	1	1	1	1	1	1	1	1
18	COPPER TUBE (C) - HIGH SIDE	COPPER	438004-01	1	1	1	1	1	1	1	1	1
19	HEAT EXCHANGER	COPPER	218748G01	1	1	1	1	1	1	1	1	1
20	COPPER TUBE - LOW SIDE	COPPER	322121G01	1	1	1	1	1	1	1	1	1
21	EXP. VALVE COVER (A)	PE FOAM	321425-01	1	1	1	1	1	1	1	1	1
22	EXP. VALVE COVER (B)	PE FOAM	321425-02	1	1	1	1	1	1	1	1	1

MODEL: KM-630MRE TITLE: B. REFRIGERATION CIRCUIT												
INDEX NO.	DESCRIPTION	MATERIAL OR MODEL NUMBER	PART NUMBER	REQUIRED NUMBER								
				C-0	C-1 C-2	C-3	D-0 E-0 E-1 F-0	F-1 G-0	G-1	H-0 H-1	H-2 H-3	H-4 J-0
23	THERMISTOR	-	429006-03	1	1	1	1	1	1	1	1	1
24	HOLDER - THERMISTOR	COPPER	427430-01	1	1	1	1	1	1	1	1	1
25	INSULATION - THERMISTOR	PE FOAM	427441-01	1	1	1	1	1	1	1	1	1
26	INSULATION - SHEET	PE FOAM	443513-01	1	1	x1						
		PE FOAM	4A0366-01			o1	1	1	1	1	1	1
28	COPPER TUBE - ACCESS VALVE	COPPER	434176-01	1	1	1	1	1	1	1	x1	
		COPPER	4A1247-01								o1	1
29	COPPER TUBE (B) - HOT GAS	COPPER	434201-01	1	1	1	1	1	1	1	1	1
30	STRAINER	-	441569-02	1	1	1	1	1	1	1	1	1
31	COPPER TUBE (C) - HOT GAS	COPPER	434202-01	1	1	1	1	1	1	1	1	1
32	BOLT	8x45	437889-01	4	4	4	4	4	4	4	4	4
33	CABLE TIE	CV-200	7920-0010	3	3	3	3	3	3	3	3	3
34	SPACER	027-0072-02	434404-01	4	4	4	4	4	4	4	4	4
35	GROMMET	527-0039-04	434403-01	4	4	4	4	4	4	4	4	4
36	RUBBER TUBE (A)	(433694A01)	321424-01	1	1	1	1	1	1	1	1	1
37	INSULATION	PE FOAM	433695-01	1	1	1	1	1	1	1	1	1
38	CLAMP	SS	443461-01	1	1	1	1	1	1	1	1	1
39	COPPER TUBE (E) - HIGH SIDE	COPPER	325140-01	1	1	1	1	1	1	1	1	1
40	VALVE BODY	70	440352-01	2	2	2	2	2	2	2	2	2
41	COIL - VALVE	ABS-25-1-HD-2	440353-01	2	2	2	2	2	2	2	2	2
42	BOLT	4x6	440353F01	2	2	2	2	2	2	2	2	2
43	HOLDER / EXP. VALVE - 3/8	SS	3A0107-01	1	1	1	1	1	1	1	1	1
44	INSULATION TUBE	L=40	7762-1020		1	1	1	1	1	1	1	1
45	HEX HEAD BOLT W/WASHER	-	7B0130510				4	4	4	4	4	4
46	DRIER BRACKET	GS	4A0807-01					1	1	1	1	1
47	EVACUATION TUBE	COPPER	4A1212-01						1	1	1	1



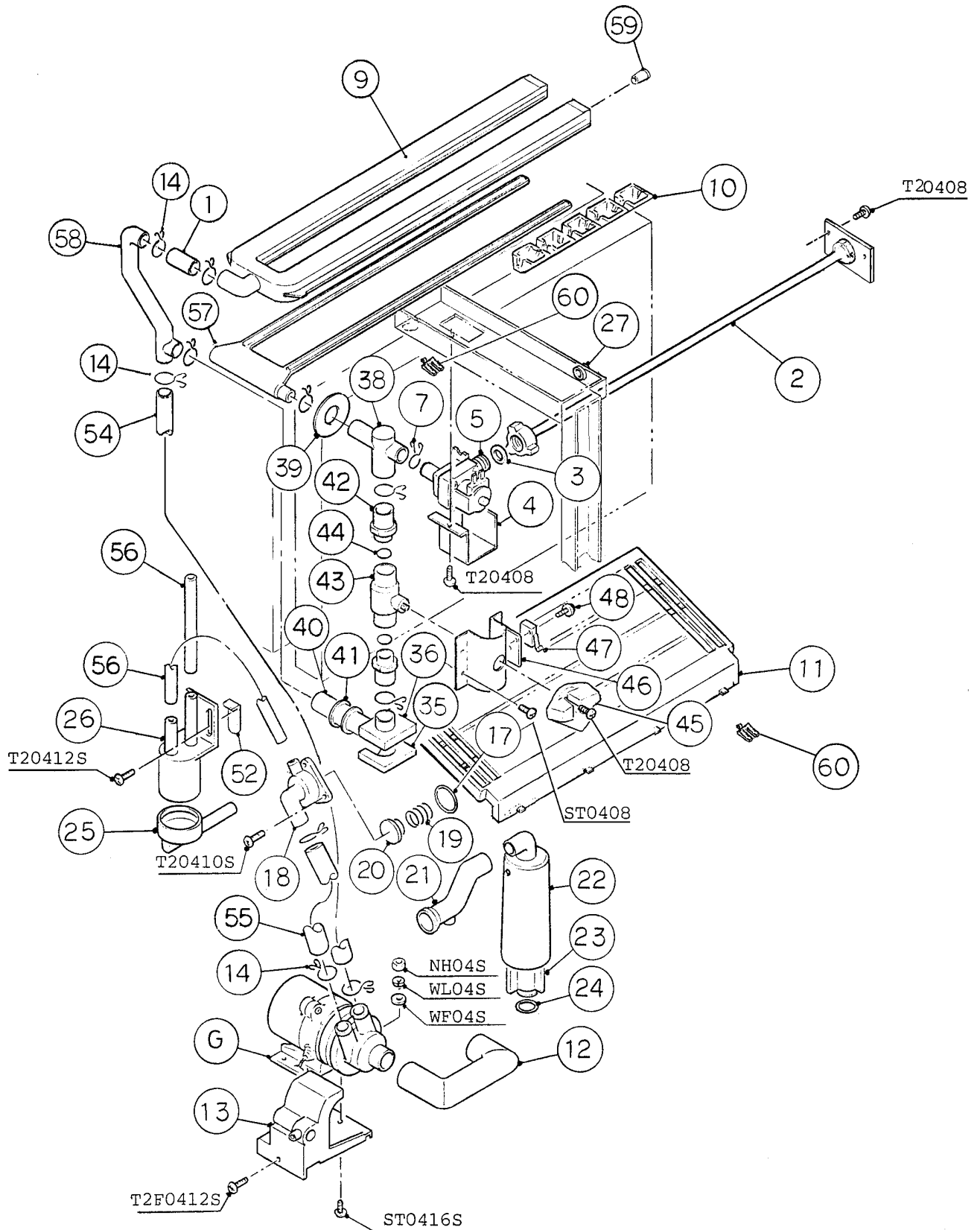


HA

KM-630MAE, MWE, MRE

C. WATER CIRCUIT

C-3, D-0, E-0, E-1, F-0,
F-1, G-0, G-1, H-0

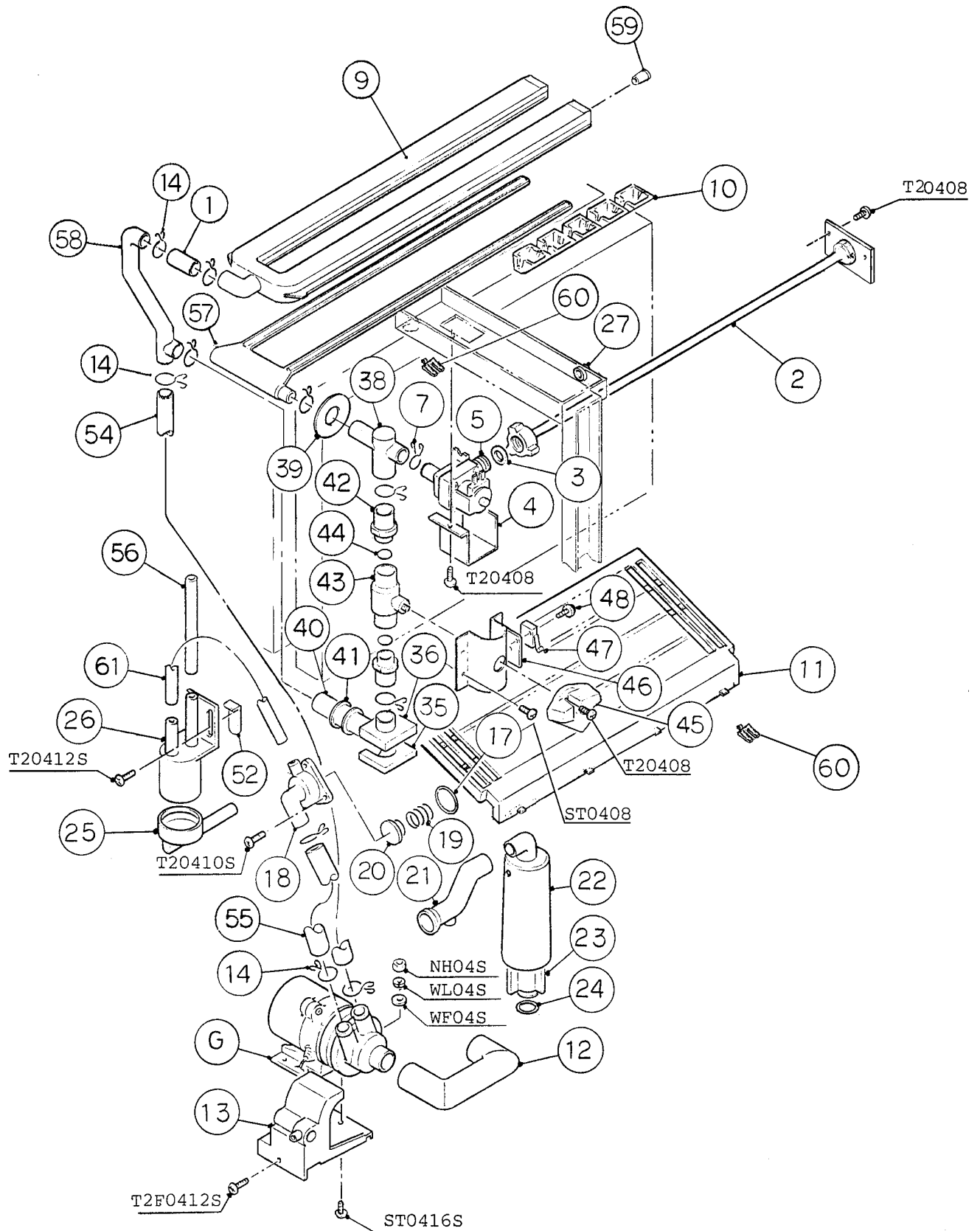


HA

KM-630MAE, MWE, MRE

C. WATER CIRCUIT

H-1, H-2, H-3, H-4, J-0



MODEL: KM-630MAE, MRE TITLE: C. WATER CIRCUIT												
INDEX NO.	DESCRIPTION	MATERIAL OR MODEL NUMBER	PART NUMBER	REQUIRED NUMBER								
				C-0 C-1	C-2	C-3	D-0	E-0	E-1 F-0 F-1	G-0 G-1	H-0 H-1 H-2	H-3 H-4 J-0
G	PUMP MOTOR ASSEMBLY	(S-0613)	321444A01	1	1	1	1	1	1	1	1	1
1	VINYL HOSE	L=165	7716-2025	1	1	-						
		L=50	7716-2025			1	1	1	1	1	1	1
2	WATER SUPPLY PIPE	COPPER	4A0156G01	1	-							
		COPPER	4A0207G01		1	1	x1					
		COPPER	4A0207G04				o1	1	-			
		COPPER	4A0768G04						1	1	1	1
3	RUBBER GASKET	NR	413854-01	2	1	1	1	x1				
		SI.R	413854-03					o1	1	1	1	1
4	WATER VALVE BRACKET	GS	321443-01	1	1	1	1	1	1	1	1	1
5	WATER VALVE	J248-032	3U0111-02	1	1	1	1	1	1	1	1	1
6	DISTRIBUTOR HOSE	EPDM	439374-01	1	1	-						
7	HOSE CLAMP	SS, 18 mm	427443-05	1	1	1	1	1	1	1	1	1
8	HOSE CLAMP	SS, 13.5 mm	427443-07	2	2	-						
9	SPRAY TUBE	PE	433520G01	2	2	-						
		PE	1A0019-01			1	1	1	1	1	x1	
		PE	1A0260-01								o1	1
10	SPRAY GUIDE (A)	PE	208586-01	6	6	6	6	6	6	6	6	6
11	CUBE GUIDE	ABS	212088-01	1	1	1	1	1	1	1	1	1
12	SUCTION HOSE	EPDM	433466-01	1	1	1	1	1	1	1	1	1
13	PUMP MOTOR BRACKET	ABS	211408-01	1	1	1	x1					
		PC	211408-01				o1	1	1	1	1	1
14	HOSE CLAMP	SS, 25 mm	427443-03	6	6	7	9	9	9	9	9	9
15	DISTRIBUTOR	ABS	432820-01	1	1	-						
16	ELBOW	EPDM	433467-01	2	2	-						
17	"O" RING	1AG35	7611-G035	1	1	1	1	1	1	1	1	1
18	VALVE HOUSING - DRAIN	ABS	321001-01	1	1	1	1	1	1	1	1	1

HA

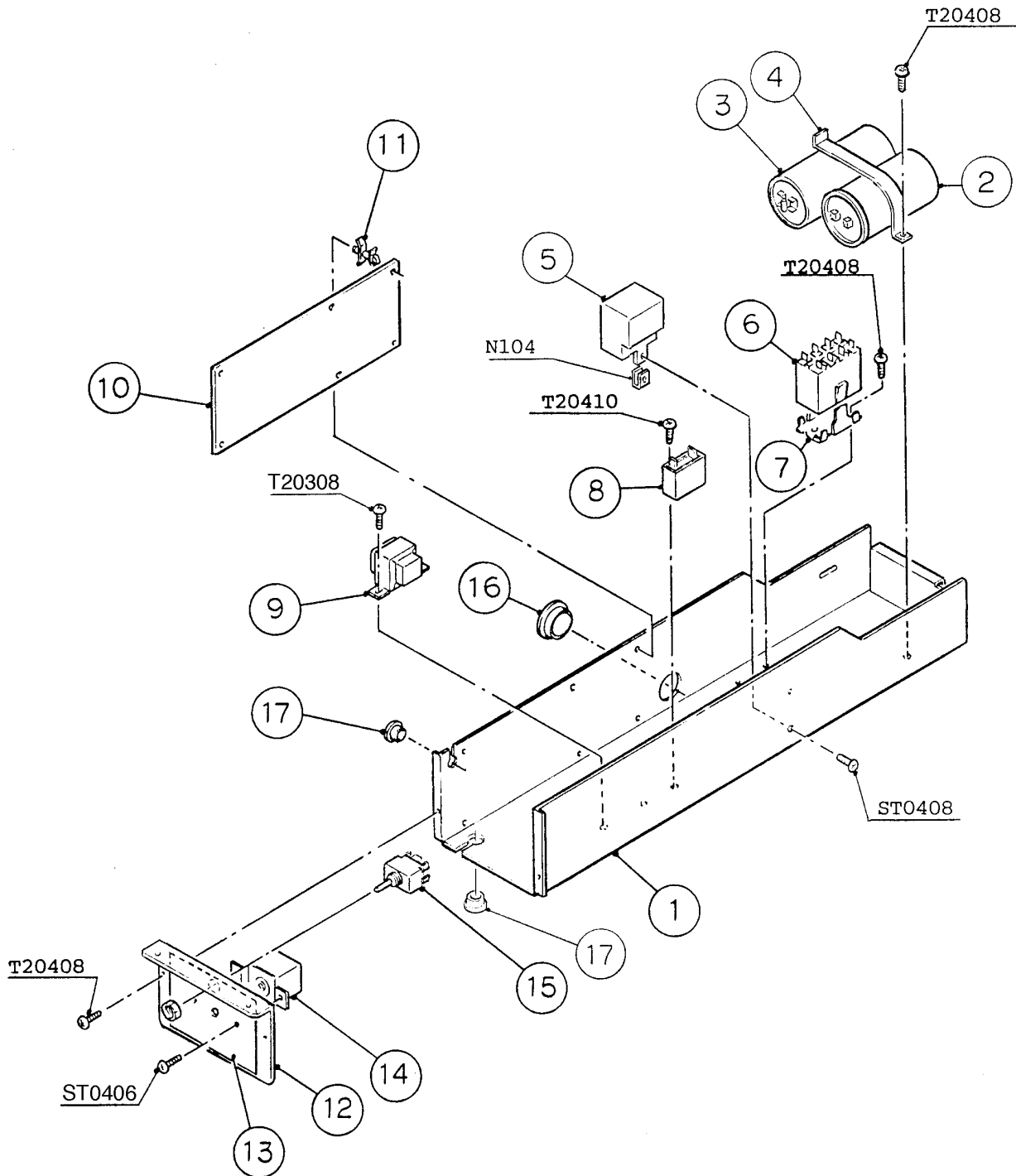
MODEL: KM-630MAE, MRE TITLE: C. WATER CIRCUIT												
INDEX NO.	DESCRIPTION	MATERIAL OR MODEL NUMBER	PART NUMBER	REQUIRED NUMBER								
				C-0	C-1	C-2	C-3	D-0 E-0 E-1	F-0	F-1 G-0	G-1 H-0 H-1 H-2	H-3 H-4 J-0
19	SPRING	SS	322111-01	1	1	1	1	x1				
		SS	322110-01					o1	1	1	1	1
20	VALVE SHEET	EPDM	433705-01	1	1	1	1	1	1	1	1	1
21	DRAIN HOSE	EPDM	433468-01	1	1	1	1	1	x1			
		SANTOPRENE	433468-01						o1	1	1	1
22	OVERFLOW CAP	PE	321002-01	1	1	1	1	1	1	1	1	1
23	OVERFLOW PIPE	ABS	430722-01	1	1	1	1	1	1	1	1	1
24	"O"RING	1AP32	7611-P032	1	1	1	1	1	1	1	x1	
		EPDM	4A1234-01								o1	1
25	CONNECTOR - FLOAT SWITCH	EPDM	426799-01	1	1	1	1	1	1	1	1	1
26	FLOAT SWITCH	FS-0893B	433535-01	1	1	1	1	1	x1			
		163795	4A0886-01						o1	1	1	1
27	BUSHING	OCB-500	428394-02	1	1	1	1	1	1	1	1	1
28	CONDUIT	COPPER	433706G02	1	1	-						
		COPPER	4A0208-02			1	-					
29	BUSHING	SB-625-8	420470-01	1	1	-						
30	CLAMP	No. 248	427902-04	3	3	3	-					
31	CLAMP	No. 826	427902-01	1	-							
32	HOSE HOLDER	SS	436340-01	1	1	-						
33	FITTING - INLET	BRASS	436552-01	1	1	-						
34	FITTING HOLDER - INLET	GS	436550-01	1	1	-						
35	CORNER INSULATION (A)	PE FOAM	439376-01	1	1	1	1	1	1	1	1	1
36	CORNER INSULATION (B)	PE FOAM	439392-01	1	1	1	1	1	1	1	1	1
37	DISTRIBUTOR	ABS	432426-01	1	1	1	1	-				

MODEL: KM-630MAE, MRE TITLE: C. WATER CIRCUIT												
INDEX NO.	DESCRIPTION	MATERIAL OR MODEL NUMBER	PART NUMBER	REQUIRED NUMBER								
				C-0	C-2	C-3	D-0	F-0	F-1	H-0	H-1	H-3
				C-1			E-0		G-0		H-2	H-4
							E-1		G-1			J-0
38	TEE	EPDM	439197-01	1	1	-						
		EPDM	4A0177-01			1	1	1	x1			
		SANTOPRENE	4A0177-01							o1	1	1
39	FLANGE	EPDM	439267-01	1	1	1	1	1	1	1	1	1
40	HOSE (B)	EPDM	436599-02	1	1	1	1	1	1	1	1	1
41	RUBBER RING	TSE2571-5U	439236-01	1	1	1	1	x1				
		EPDM	439236-01						o1	1	1	1
42	MALE ADAPTOR	442137A01 ABS	325826-01	2	2	2	2	2	2	2	2	2
43	BALL VALVE	PVC	439293-01	1	1	1	1	1	1	1	1	1
44	"O" RING	1AP18	7611-P018	2	2	2	2	2	2	2	2	2
45	HANDLE	JH1352	215383-01	1	1	1	1	1	1	1	1	1
46	VALVE HOLDER	GS	325825-01	1	1	1	1	1	1	1	1	x1
		GS	3A1178-01									
47	MICRO SWITCH	AH-8064	436386-01	1	x1							
		ABV1636614F01	444193-01		o1	x1						
		V3L-111-D8	4A0365-01			o1	1	1	1	1	1	1
48	TAPPING SCREW	3x14	431415-02	2	2	2	2	2	2	2	2	2
49	JOINT PIPE	ABS	439329-01	1	1	-						
50	HANDLE BRACKET	GS	439929-01	1	-							
51	HOSE CLAMP	SS 20 mm	427443-06	1	1	1	1	1	1	1	1	1
52	FLOAT SWITCH STOP	SS	4A0137-01	1	1	1	1	1	1	1	1	1
53	CABLE TIE	CV-200	7920-0010	3	3	-						
54	VINYL HOSE	L=630	7716-2025	1	1	1	1	1	1	1	1	1
55	VINYL HOSE	L=110	7716-2025	1	1	1	1	1	1	1	1	1
56	VINYL HOSE	L=140	7716-0913	2	2	2	2	2	2	x2		
	SILICONE HOSE	L=140	7730I3812							o2	1	1

MODEL: KM-630MWE TITLE: C. WATER CIRCUIT												
INDEX NO.	DESCRIPTION	MATERIAL OR MODEL NUMBER	PART NUMBER	REQUIRED NUMBER								
				C-0	C-1	C-2	C-3	D-0	E-0	E-1 F-0 F-1 G-0 G-1	H-0 H-1 H-2	H-3 J-0
G	PUMP MOTOR ASSEMBLY	(S-0613)	321444A01	1	1	1	1	1	1	1	1	1
1	VINYL HOSE	L=165	7716-2025	1	-							
		L=50	7716-2025		1	1	1	1	1	1	1	1
2	WATER SUPPLY PIPE	COPPER	4A0156G01	1	1	-						
		COPPER	4A0207G01			1	1	x1				
		COPPER	4A0207G04					o1	1	-		
		COPPER	4A0768G04							1	1	1
3	RUBBER GASKET	NR	413854-01	2	2	1	1	1	x1			
		SI.R	413854-03						o1	1	1	1
4	WATER VALVE BRACKET	GS	321443-01	1	1	1	1	1	1	1	1	1
5	WATER VALVE	J248-032	3U0111-02	1	1	1	1	1	1	1	1	1
6	DISTRIBUTOR HOSE	EPDM	439374-01	1	1	1	-					
7	HOSE CLAMP	SS, 18 mm	427443-05	1	1	1	1	1	1	1	1	1
8	HOSE CLAMP	SS, 13.5 mm	427443-07	2	2	2	-					
9	SPRAY TUBE	PE	433520G01	2	2	2	-					
		PE	1A0019-01				1	1	1	1	x1	
		PE	1A0260-01								o1	1
10	SPRAY GUIDE (A)	PE	208586-01	6	6	6	6	6	6	6	6	6
11	CUBE GUIDE	ABS	212088-01	1	1	1	1	1	1	1	1	1
12	SUCTION HOSE	EPDM	433466-01	1	1	1	1	1	1	1	1	1
13	PUMP MOTOR BRACKET	ABS	211408-01	1	1	1	1	x1				
		PC	211408-01					o1	1	1	1	1
14	HOSE CLAMP	SS, 25 mm	427443-03	6	6	6	7	9	9	9	9	9
15	DISTRIBUTOR	ABS	432820-01	1	1	1	-					
16	ELBOW	EPDM	433467-01	2	2	2	-					
17	"O" RING	1AG35	7611-G035	1	1	1	1	1	1	1	1	1

MODEL: KM-630MWE TITLE: C. WATER CIRCUIT												
INDEX NO.	DESCRIPTION	MATERIAL OR MODEL NUMBER	PART NUMBER	REQUIRED NUMBER								
				C-0	C-1	C-2	C-3	D-0 E-0 E-1	F-0	F-1 G-0	G-1 H-0 H-1 H-2	H-3 J-0
18	VALVE HOUSING - DRAIN	ABS	321001-01	1	1	1	1	1	1	1	1	1
19	SPRING	SS	322111-01	1	1	1	1	x1				
		SS	322110-01					o1	1	1	1	1
20	VALVE SHEET	EPDM	433705-01	1	1	1	1	1	1	1	1	1
21	DRAIN HOSE	EPDM	433468-01	1	1	1	1	1	x1			
		SANTOPRENE	433468-01						o1	1	1	1
22	OVERFLOW CAP	PE	321002-01	1	1	1	1	1	1	1	1	1
23	OVERFLOW PIPE	ABS	430722-01	1	1	1	1	1	1	1	1	1
24	"O"RING	1AP32	7611-P032	1	1	1	1	1	1	1	x1	
		EPDM	4A1234-01								o1	1
25	CONNECTOR - FLOAT SWITCH	EPDM	426799-01	1	1	1	1	1	1	1	1	1
26	FLOAT SWITCH	FS-0893B	433535-01	1	1	1	1	1	x1			
		163795	4A0886-01						o1	1	1	1
27	BUSHING	OCB-500	428394-02	1	1	1	1	1	1	1	1	1
28	CONDUIT	COPPER	433706G02	1	1	-						
		COPPER	4A0208-02			1	-					
29	BUSHING	SB-625-8	420470-01	1	1	-						
30	CLAMP	No. 248	427902-04	3	3	3	-					
31	CLAMP	No. 826	427902-01	1	1	-						
32	HOSE HOLDER	SS	436340-01	1	1	-						
33	FITTING - INLET	BRASS	436552-01	1	1	-						
34	FITTING HOLDER - INLET	GS	436550-01	1	1	-						
35	CORNER INSULATION (A)	PE FOAM	439376-01	1	1	1	1	1	1	1	1	1
36	CORNER INSULATION (B)	PE FOAM	439392-01	1	1	1	1	1	1	1	1	1

MODEL: KM-630MWE TITLE: C. WATER CIRCUIT												
INDEX NO.	DESCRIPTION	MATERIAL OR MODEL NUMBER	PART NUMBER	REQUIRED NUMBER								
				C-0 C-1	C-2	C-3	D-0 E-0 E-1	F-0	F-1 G-0 G-1	H-0	H-1 H-2	H-3 J-0
37	DISTRIBUTOR	ABS	432426-01	1	1	1	-					
38	TEE	EPDM	439197-01	1	1		-					
		EPDM	4A0177-01				1	1	x1			
		SANTOPRENE	4A0177-01						o1	1	1	
39	FLANGE	EPDM	439267-01	1	1	1	1	1	1	1	1	1
40	HOSE (B)	EPDM	436599-02	1	1	1	1	1	1	1	1	1
41	RUBBER RING	TSE2571-5U	439236-01	1	1	1	1	x1				
		EPDM	439236-01					o1	1	1	1	1
42	MALE ADAPTOR	442137A01 ABS	325826-01	2	2	2	2	2	2	2	2	2
43	BALL VALVE	PVC	439293-01	1	1	1	1	1	1	1	1	1
44	"O" RING	1AP18	7611-P018	2	2	2	2	2	2	2	2	2
45	HANDLE	JH1352	215383-01	1	1	1	1	1	1	1	1	1
46	VALVE HOLDER	GS	325825-01	1	1	1	1	1	1	1	1	x1
		GS	3A1178-01									o1
47	MICRO SWITCH	AH-8064	436386-01	1	x1							
		ABV1636614F01	444193-01		o1	x1						
		V3L-111-D8	4A0365-01			o1	1	1	1	1	1	1
48	TAPPING SCREW	3x14	431415-02	2	2	2	2	2	2	2	2	2
49	JOINT PIPE	ABS	439329-01	1	1	-						
50	HANDLE BRACKET	GS	439929-01	1	-							
51	HOSE CLAMP	SS 20 mm	427443-06	1	1	1	1	1	1	1	1	1
52	FLOAT SWITCH STOP	SS	4A0137-01	1	1	1	1	1	1	1	1	1
53	CABLE TIE	CV-200	7920-0010	3	3	-						
54	VINYL HOSE	L=630	7716-2025	1	1	1	1	1	1	1	1	1
55	VINYL HOSE	L=110	7716-2025	1	1	1	1	1	1	1	1	1



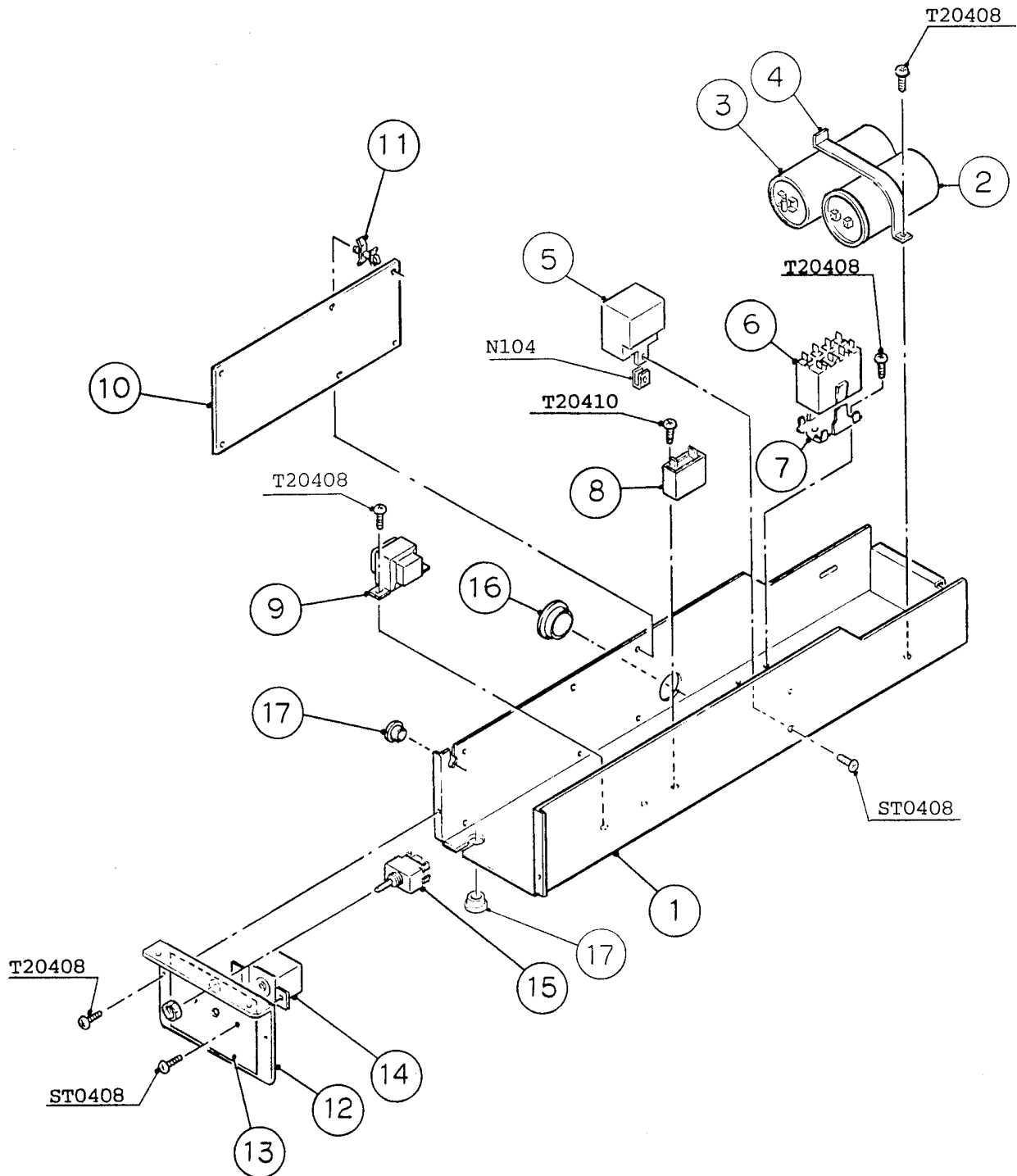
N1 - SPEED NUT

HA

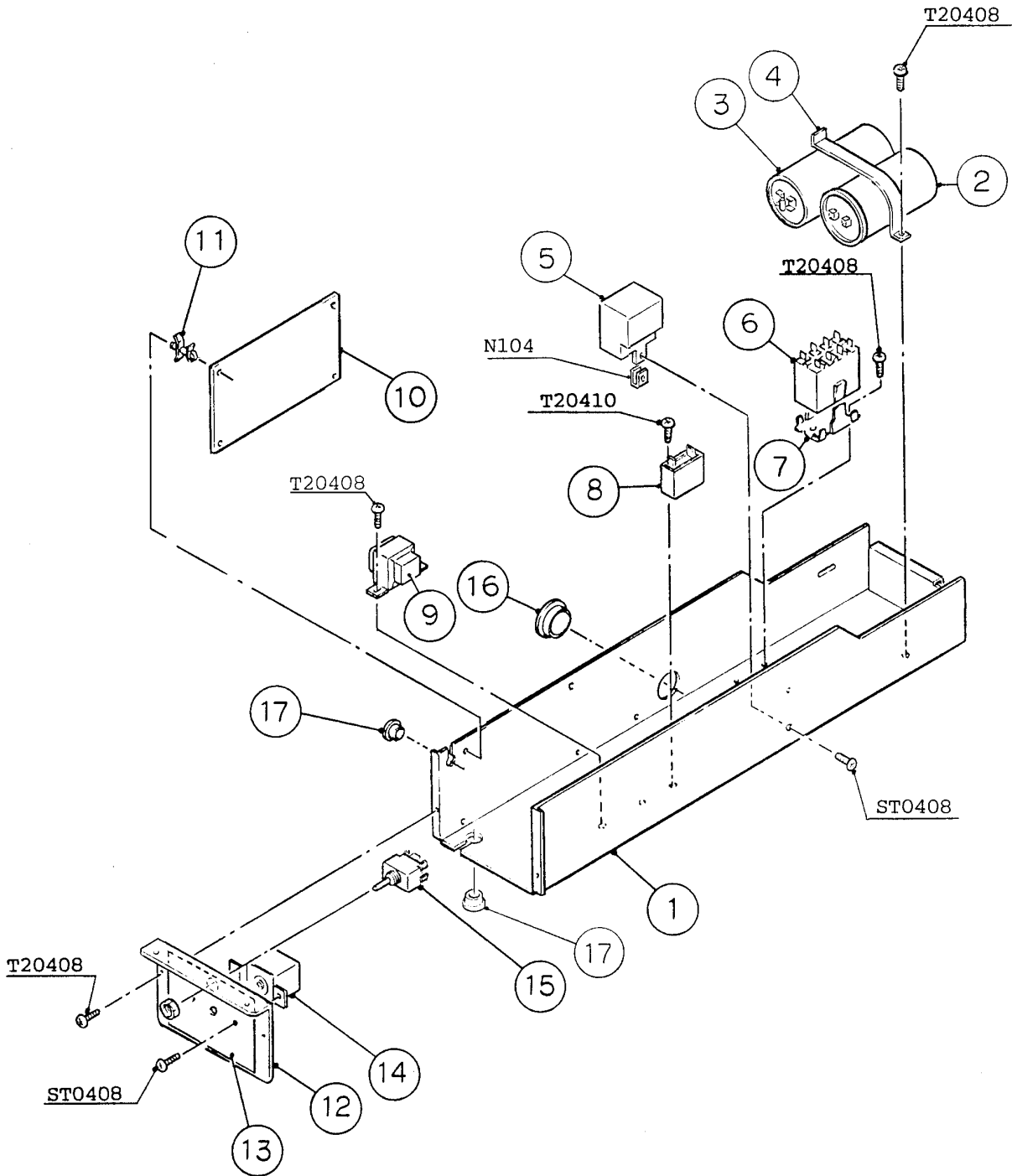
KM-630MAE, MWE, MRE

D. CONTROL BOX ASSEMBLY

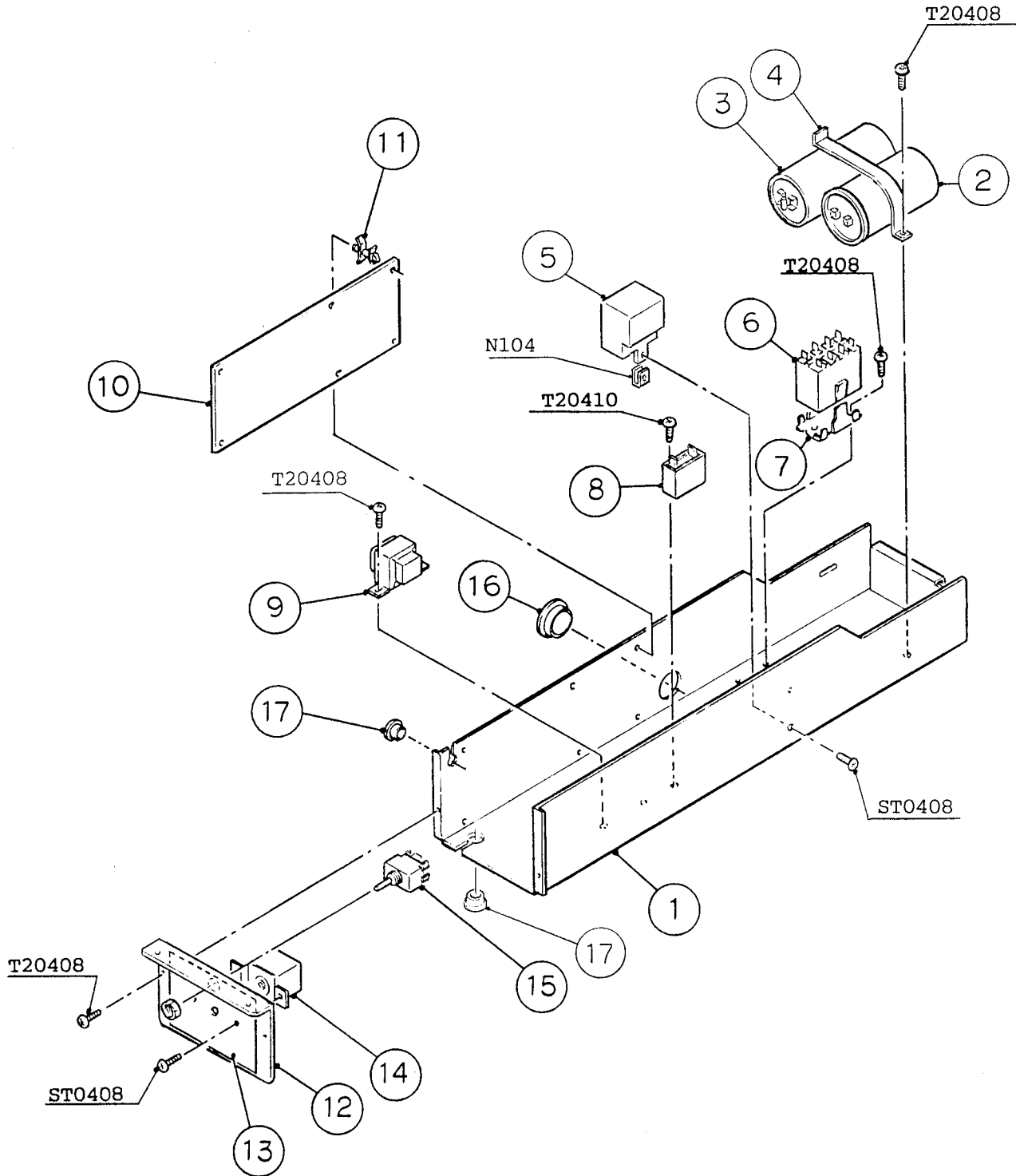
D-0, E-0, E-1, F-0, F-1,
G-0, G-1, H-0, H-1



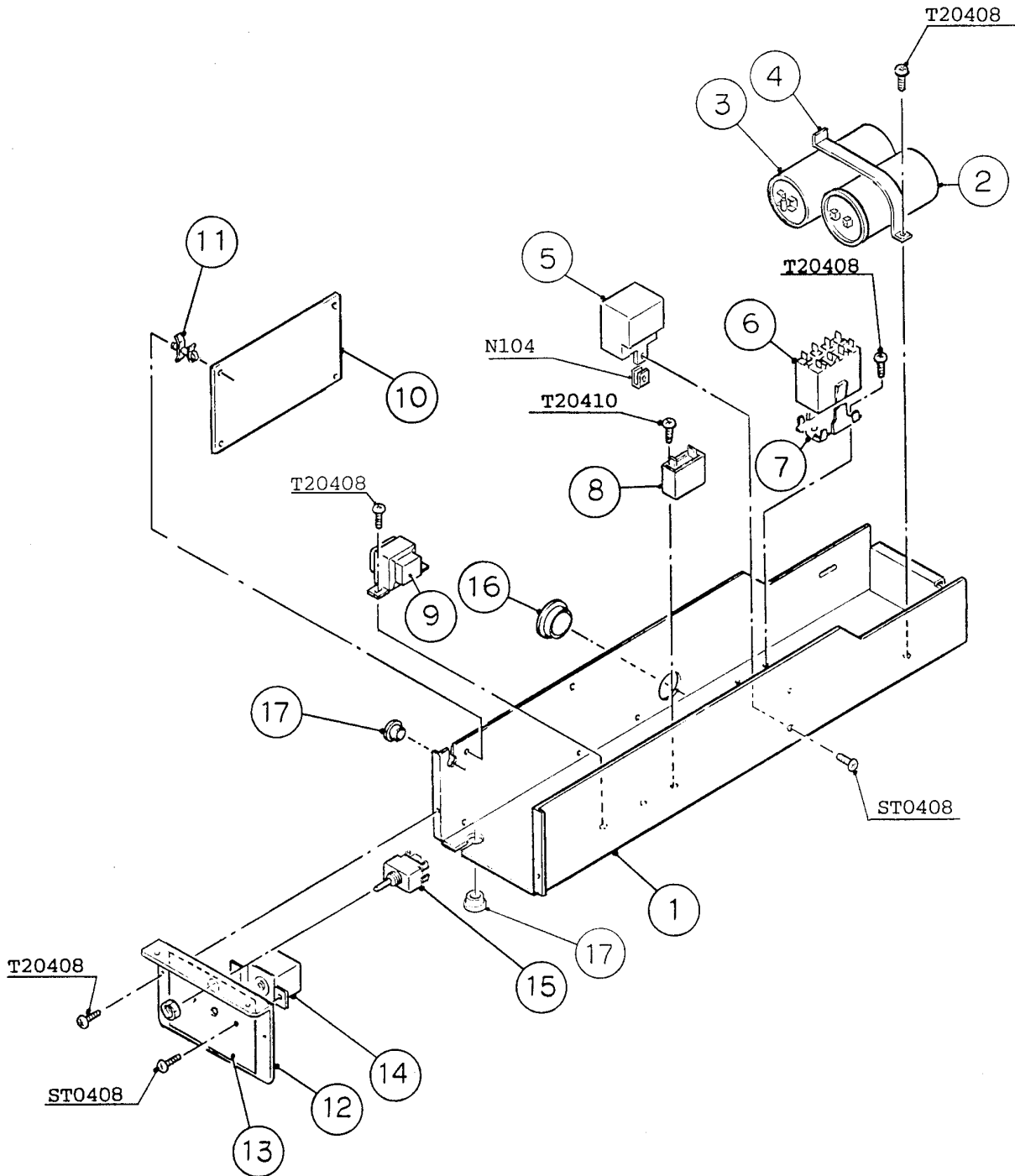
N1 - SPEED NUT



N1 - SPEED NUT



N1 - SPEED NUT



N1 - SPEED NUT

MODEL: KM-630MAE, MRE TITLE: D. CONTROL BOX ASSEMBLY												
INDEX NO.	DESCRIPTION	MATERIAL OR MODEL NUMBER	PART NUMBER	REQUIRED NUMBER								
				C-0	C-1	C-2	C-3	D-0	E-0	E-1 F-0 F-1 G-0	G-1 H-0 H-1	H-2
1	CONTROL BOX	GS	212382G04	1	1	1	1	1	1	1	1	1
2	CAPACITOR	RS37B0025UN HG02	439943-02	1	1	1	1	1	1	1	1	1
3	CAPACITOR - STARTING	3535B5A0108 A250R8	3A0076-02	1	1	1	1	1	1	1	1	1
4	STRAP	GS	434580-02	1	1	1	1	x1				
		GS	434580-11					o1	1	1	1	1
5	STARTER	040-0001-38	434172-01	1	1	1	1	1	1	1	1	1
6	MAGNETIC CONTACTOR	VC20	428393-01	1	1	1	1	1	1	1	1	1
7	BRACKET	BW9154	428393F01	1	1	1	1	1	1	1	1	1
8	CAPACITOR	5.5MFD 250V	443192-03	1	1	1	1	1	1	1	1	1
9	TRANSFORMER	BW48-005	3U0135-01	1	1	1	x1					
		26D285H	3A0172-01				o1	1	1	1	1	1
10	CONTROLLER BOARD	MY9KM910	2U0127-01	1	1	1	1	1	1	1	1	-
		-	2A0836-01									
11	BOARD SUPPORT	KGLS-6S	414929-01	6	x6							
		CBLS37-M	4A0336-03		o6	6	6	6	6	6	6	6
12	SWITCH BRACKET	GS	3A0136-01	1	1	1	1	1	1	1	1	1
13	CONTROL LABEL	PES FILM	433194-01	1	1	1	1	1	1	1	1	-
		PES FILM	4A1756-01									
14	THERMOSTAT	YTB-3U105	433536-01	1	1	x1						
		-	439678-02			o1	x1					
		-	439678-01				o1	1	x1			
		-	4A0738-01						o1	x1		
		A303815-00	4A0824-01							o1	1	1
15	TOGGLE SWITCH	8966K84	443119-01	1	1	1	1	1	1	1	1	1

MODEL: KM-630MAE, MRE TITLE: D. CONTROL BOX ASSEMBLY												
INDEX NO.	DESCRIPTION	MATERIAL OR MODEL NUMBER	PART NUMBER	REQUIRED NUMBER								
				H-3	H-4 J-0							
1	CONTROL BOX	GS	212382G04	1	1							
2	CAPACITOR	RS37B0025UN HG02	439943-02	1	1							
3	CAPACITOR - STARTING	3535B5A0108 A250R8	3A0076-02	1	1							
4	STRAP	GS	434580-11	1	1							
5	STARTER	040-0001-38	434172-01	1	1							
6	MAGNETIC CONTACTOR	VC20	428393-01	1	1							
7	BRACKET	BW9154	428393F01	1	1							
8	CAPACITOR	5.5MFD 250V	443192-03	1	1							
9	TRANSFORMER	26D285H	3A0172-01	1	1							
10	CONTROLLER BOARD	-	2A0836-01	-								
		MY9KM910	2U0127-01	1	-							
		-	2A0836-01		1							
11	BOARD SUPPORT	CBLS37-M	4A0336-03	6	4							
12	SWITCH BRACKET	GS	3A0136-01	1	1							
13	CONTROL LABEL	PES FILM	4A1756-01	1	1							
14	THERMOSTAT	A303815-00	4A0824-01	1	1							
15	TOGGLE SWITCH	8966K84	443119-01	1	1							

MODEL: KM-630MWE TITLE: D. CONTROL BOX ASSEMBLY												
INDEX NO.	DESCRIPTION	MATERIAL OR MODEL NUMBER	PART NUMBER	REQUIRED NUMBER								
				C-0	C-1	C-2	C-3	D-0	E-0	E-1 F-0 F-1 G-0	G-1 H-0 H-1	H-2
1	CONTROL BOX	GS	212382G04	1	1	1	1	1	1	1	1	1
2	CAPACITOR	RS37B0025UN HG02	439943-02	1	1	1	1	1	1	1	1	1
3	CAPACITOR - STARTING	3535B5A0108 A250R8	3A0076-02	1	1	1	1	1	1	1	1	1
4	STRAP	GS	434580-02	1	1	1	1	x1				
		GS	434580-11					o1	1	1	1	1
5	STARTER	040-0001-38	434172-01	1	1	1	1	1	1	1	1	1
6	MAGNETIC CONTACTOR	VC20	428393-01	1	1	1	1	1	1	1	1	1
7	BRACKET	BW9154	428393F01	1	1	1	1	1	1	1	1	1
8	CAPACITOR	5.5MFD 250V	443192-03	1	1	1	1	1	1	1	1	1
9	TRANSFORMER	BW48-005	3U0135-01	1	1	1	x1					
		26D285H	3A0172-01				o1	1	1	1	1	1
10	CONTROLLER BOARD	MY9KM910	2U0127-01	1	1	1	1	1	1	1	1	-
		-	2A0836-01									
11	BOARD SUPPORT	KGLS-6S	414929-01	6	x6							
		CBLS37-M	4A0336-03		o6	6	6	6	6	6	6	6
12	SWITCH BRACKET	GS	3A0136-01	1	1	1	1	1	1	1	1	1
13	CONTROL LABEL	PES FILM	433194-01	1	1	1	1	1	1	1	1	-
		PES FILM	4A1756-01									
14	THERMOSTAT	YTB-3U105	433536-01	1	1	x1						
		-	439678-02			o1	x1					
		-	439678-01				o1	1	x1			
		-	4A0738-01						o1	x1		
		A303815-00	4A0824-01							o1	1	1
15	TOGGLE SWITCH	8966K84	443119-01	1	1	1	1	1	1	1	1	1

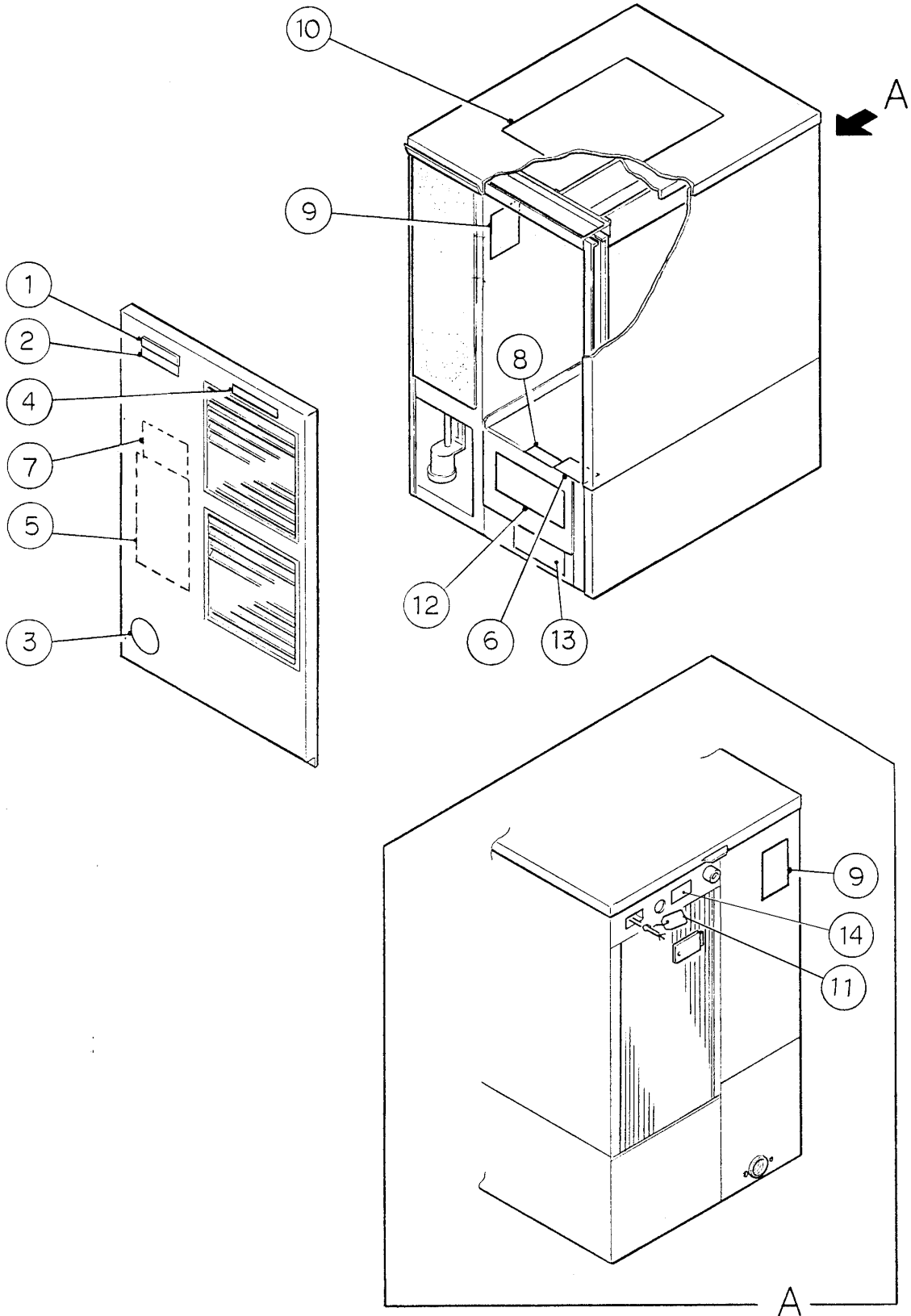
MODEL: KM-630MWE TITLE: D. CONTROL BOX ASSEMBLY												
INDEX NO.	DESCRIPTION	MATERIAL OR MODEL NUMBER	PART NUMBER	REQUIRED NUMBER								
				H-3	J-0							
1	CONTROL BOX	GS	212382G04	1	1							
2	CAPACITOR	RS37B0025UN HG02	439943-02	1	1							
3	CAPACITOR - STARTING	3535B5A0108 A250R8	3A0076-02	1	1							
4	STRAP	GS	434580-11	1	1							
5	STARTER	040-0001-38	434172-01	1	1							
6	MAGNETIC CONTACTOR	VC20	428393-01	1	1							
7	BRACKET	BW9154	428393F01	1	1							
8	CAPACITOR	5.5MFD 250V	443192-03	1	1							
9	TRANSFORMER	26D285H	3A0172-01	1	1							
10	CONTROLLER BOARD	-	2A0836-01	-								
		MY9KM910	2U0127-01	1	-							
		-	2A0836-01		1							
11	BOARD SUPPORT	CBLS37-M	4A0336-03	6	4							
12	SWITCH BRACKET	GS	3A0136-01	1	1							
13	CONTROL LABEL	PES FILM	4A1756-01	1	1							
14	THERMOSTAT	A303815-00	4A0824-01	1	1							
15	TOGGLE SWITCH	8966K84	443119-01	1	1							

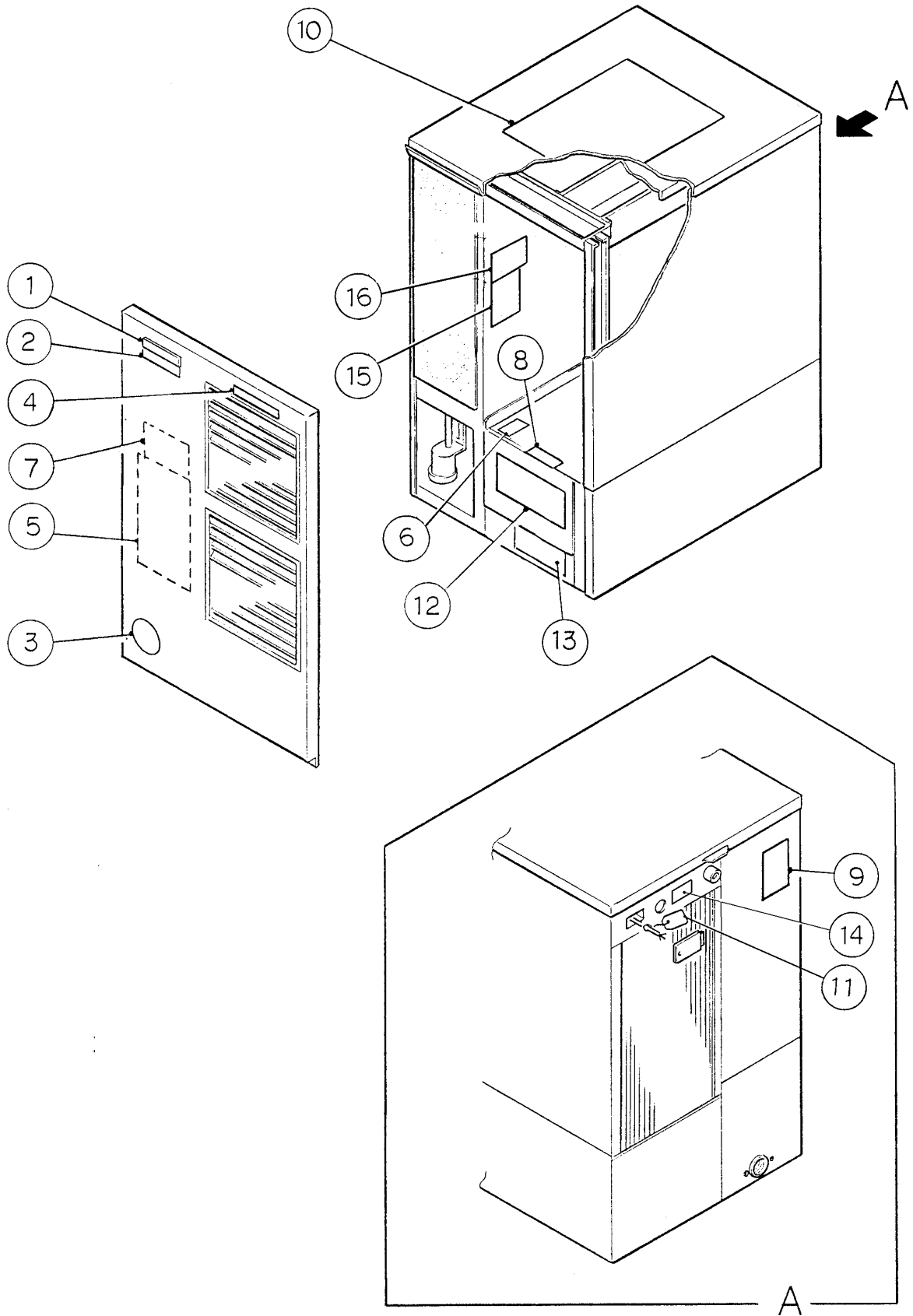
HA

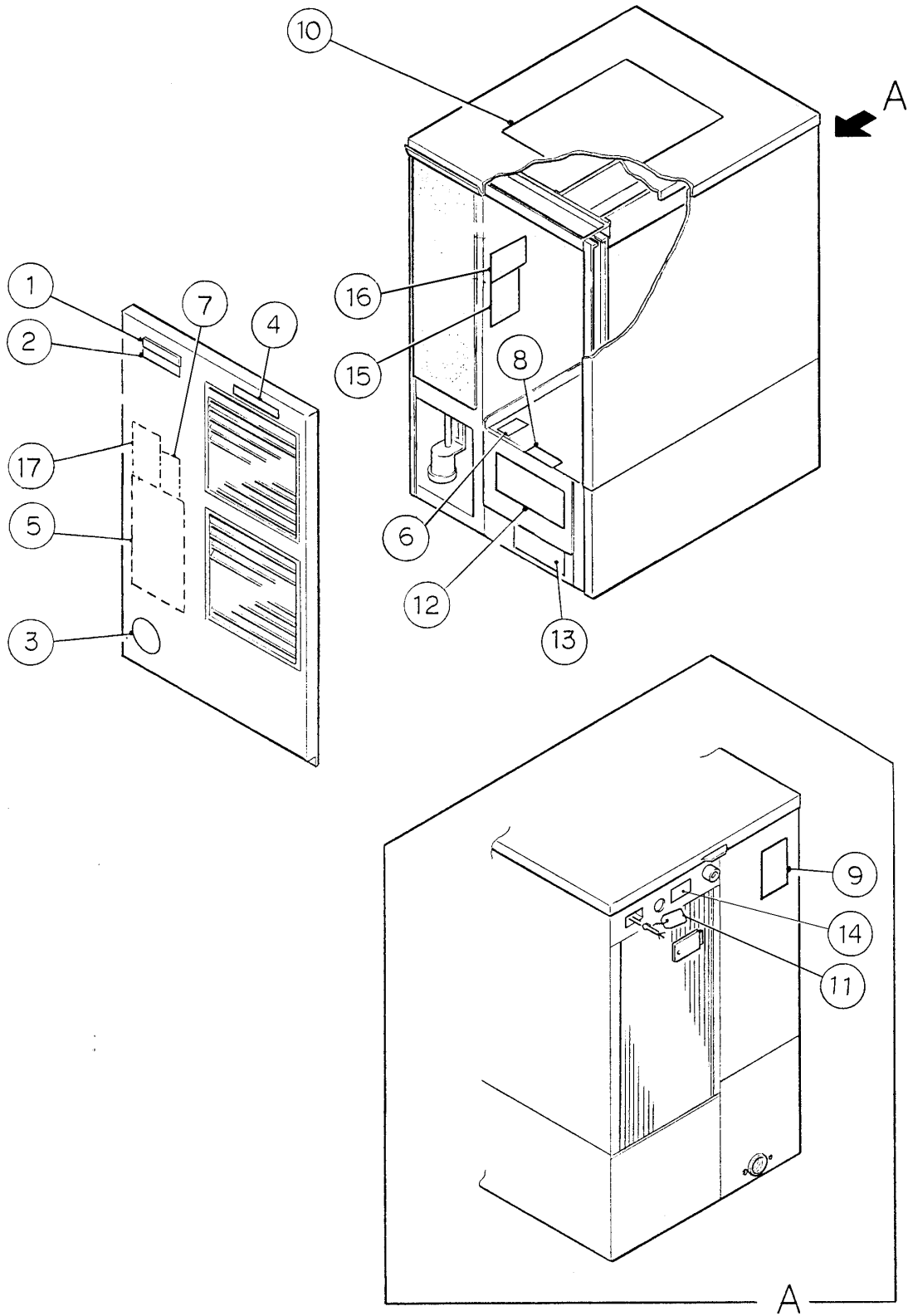
KM-630MAE

E. LABEL LOCATION

C-0, C-1, C-2, C-3, D-0, E-0,
E-1, F-0, F-1, G-0, G-1







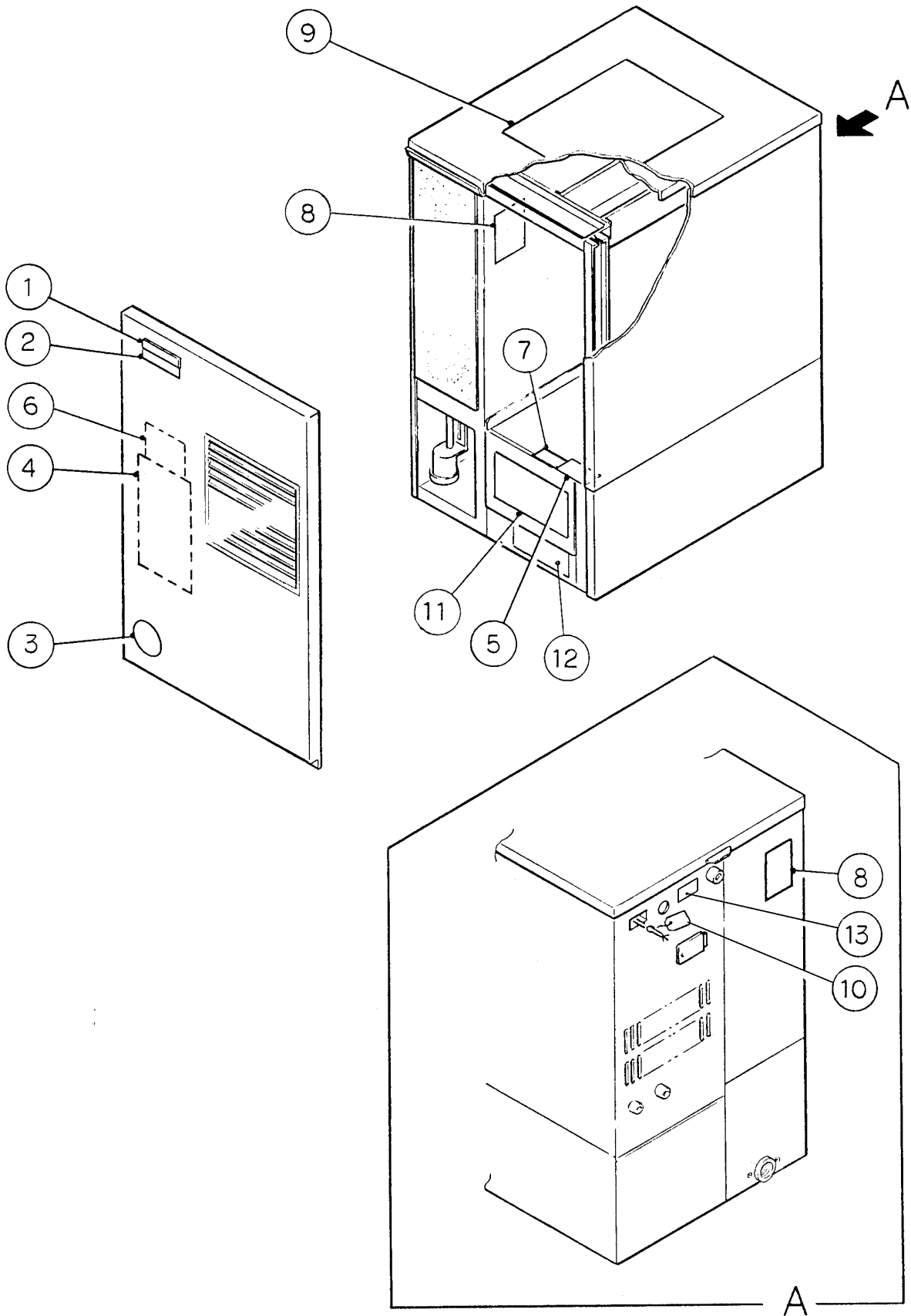
MODEL: KM-630MAE TITLE: E. LABEL LOCATION													
INDEX NO.	DESCRIPTION	MATERIAL OR MODEL NUMBER	PART NUMBER	REQUIRED NUMBER									
				C-0 C-1	C-2 C-3	D-0 E-0 E-1	F-0	F-1 G-0 G-1	H-0 H-1	H-2	H-3	H-4 J-0	
1	EMBLEM (L) - HOSHIZAKI	ABS	418634G01	1	1	1	x1						
	EMBLEM	PETP FILM	4A0560-01				o1	1	1	1	1	1	
2	MODEL NUMBER LABEL	PETP FILM	443341-04	1	1	1	1	1	1	1	1	1	
3	LABEL – PENGUIN (R)	PETP FILM	410994-01	1	1	1	1	x1					
	LABEL – PENGUIN – HA (R)	PETP FILM	4A0526-01					o1	1	1	1	1	
4	LABEL - AIR FILTER	PETP	426177-01	1	1	1	1	1	1	1	1	1	
5	MAINTENANCE LABEL	PVC FILM	326218-01	1	1	1	1	1	1	1	1	1	
6	WARNING LABEL	PVC FILM	431092-01	1	1	1	1	1	-				
	CAUTION LABEL (H)	PVC FILM	439148-01						1	1	1	1	
7	WIRING LABEL	PVC FILM	328093-01	1	1	-							
		PVC FILM	333642-01			1	1	1	1	1	1	1	
8	LABEL – R22	PES FILM	440362-01	1	1	1	1	1	1	1	1	1	
9	NAMEPLATE	PES FILM	443488-01	2	2	-							
		PES FILM	4A0689-01			2	2	2	1	1	1	1	
10	INSTRUCTION SHEET	PAPER	218077-01	1	1	1	1	1	1	1	1	1	
11	TAG – WARNING: ELECTRICAL CONNECTION	PAPER	428430-01	1	1	1	1	1	1	1	1	1	
12	MANUAL LABEL	PVC FILM	322334-01	1	1	1	1	1	1	1	1	1	
13	OPERATION LABEL – VALVE	PVC FILM	439541-01	1	1	1	1	1	1	1	1	1	
14	INSTRUCTION LABEL	PVC FILM	444575-01		1	1	1	1	1	1	1	1	
15	RATING LABEL	PES FILM	4A1600-01						1	1	1	1	
16	CAUTION LABEL (F)	-	439146-01						1	1	1	1	
17	LABEL – CONTROL BOARD	PVC FILM	3A0998-01							1	-	1	

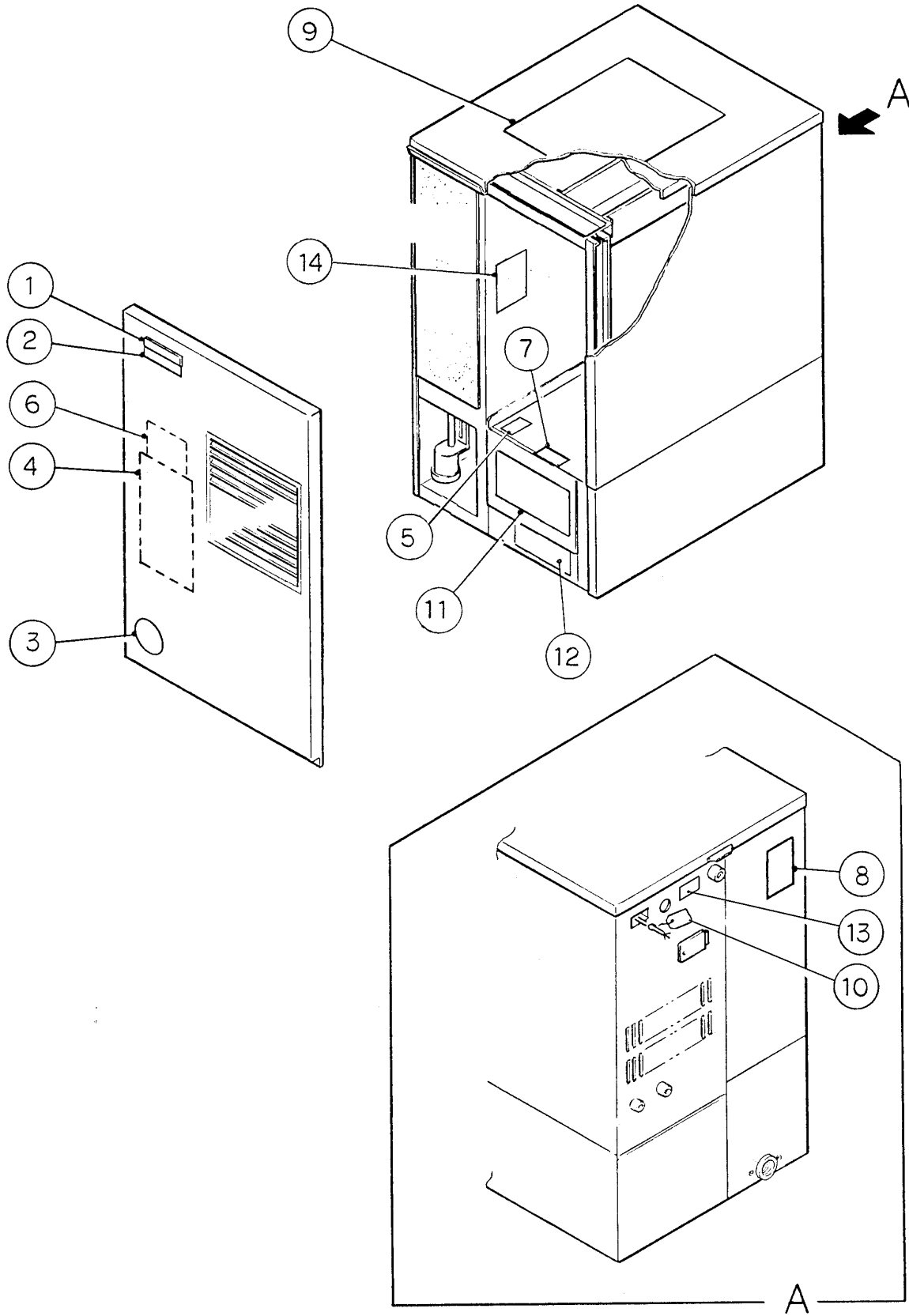
HA

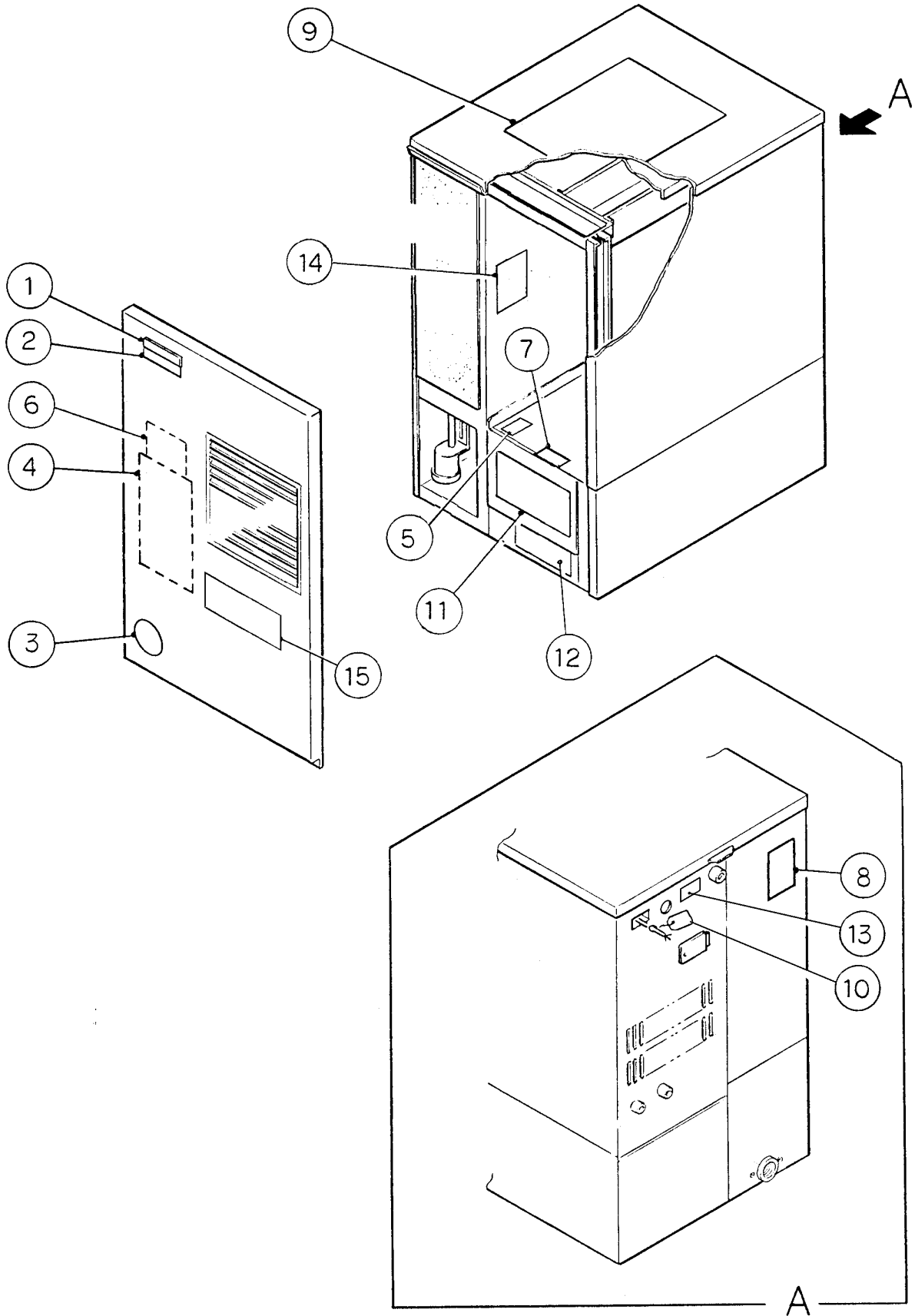
KM-630MWE

E. LABEL LOCATION

C-0, C-1, C-2, C-3, D-0, E-0, E-1, F-0, F-1, G-0, G-1



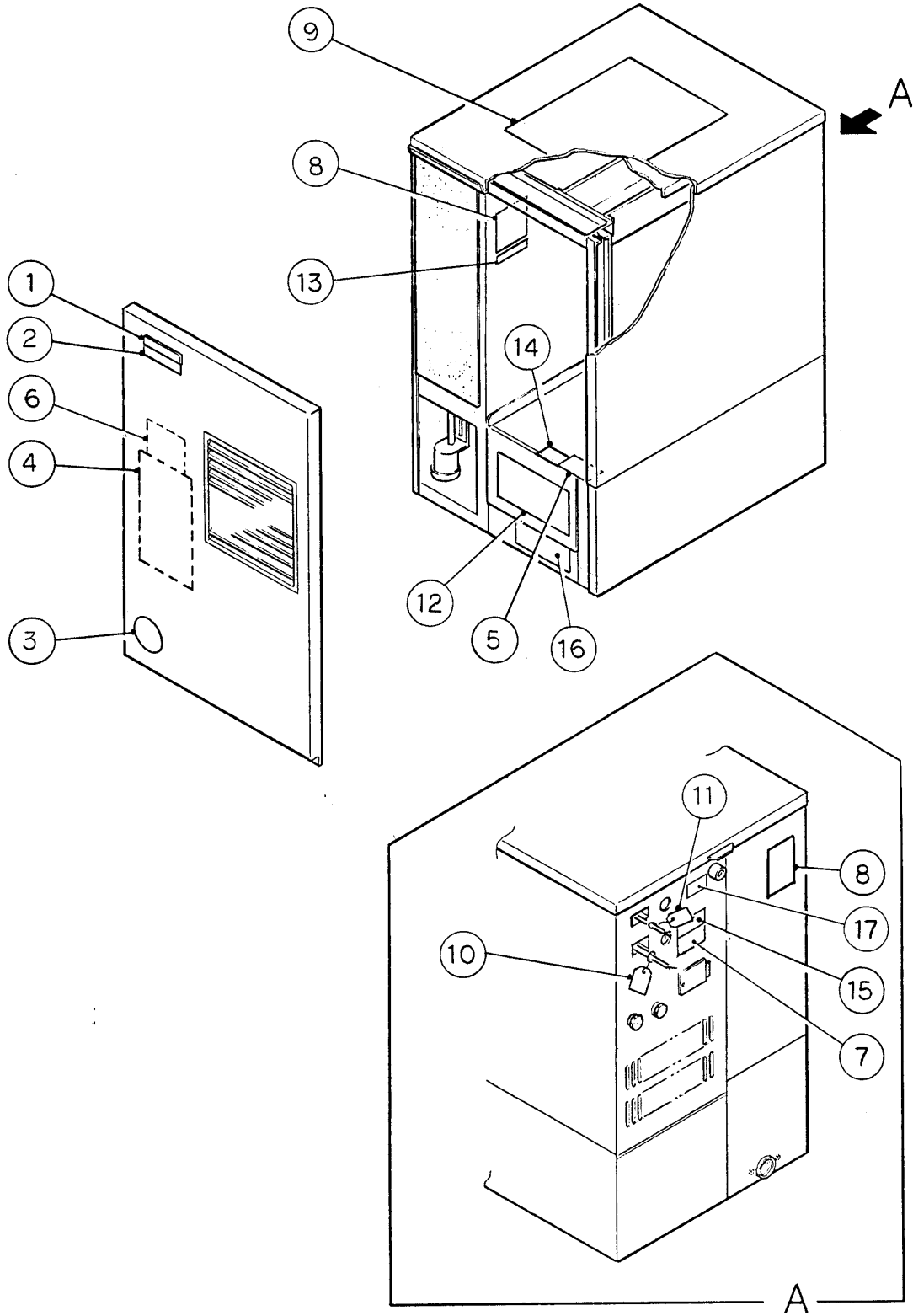




MODEL: KM-630MWE TITLE: E. LABEL LOCATION												
INDEX NO.	DESCRIPTION	MATERIAL OR MODEL NUMBER	PART NUMBER	REQUIRED NUMBER								
				C-0	D-0	E-0	F-0	F-1	H-0	H-2	H-3	J-0
				C-1		E-1		G-0	H-1			
				C-2				G-1				
				C-3								
1	EMBLEM (L) - HOSHIZAKI	ABS	418634G01	1	1	1	x1					
	EMBLEM	PETP FILM	4A0560-01				o1	1	1	1	1	1
2	MODEL NUMBER LABEL	PETP FILM	443341-05	1	1	1	1	1	1	1	1	1
3	LABEL – PENGUIN (R)	PETP FILM	410994-01	1	1	1	1	x1				
	LABEL – PENGUIN – HA (R)	PETP FILM	4A0526-01					o1	1	1	1	1
4	MAINTENANCE LABEL	PVC FILM	326218-01	1	1	1	1	1	1	1	1	1
5	WARNING LABEL	PVC FILM	431092-01	1	1		1	1	-			
	CAUTION LABEL (H)	PVC FILM	439148-01						1	1	1	1
6	WIRING LABEL	PVC FILM	328093-01	1	-							
		PVC FILM	333642-01		1	1	1	1	1	1	1	1
7	LABEL – R22	PES FILM	440362-01	1	1	1	1	1	1	1	1	1
8	NAMEPLATE	PES FILM	443487-01	2	2	-						
		PES FILM	4A0690-01			2	2	2	1	1	1	1
9	INSTRUCTION SHEET	PAPER	218077-01	1	1	1	1	1	1	1	1	1
10	TAG – WARNING: ELECTRICAL CONNECTION	PAPER	428430-01	1	1	1	1	1	1	1	1	1
11	MANUAL LABEL	PVC FILM	322334-01	1	1	1	1	1	1	1	1	1
12	OPERATION LABEL – VALVE	PVC FILM	439541-01	1	1	1	1	1	1	1	1	1
13	INSTRUCTION LABEL	PVC FILM	444575-01	1	1	1	1	1	1	1	1	1
14	RATING LABEL	PES FILM	4A1600-01						1	1	1	1
15	LABEL – CONTROL BOARD	PVC FILM	3A0998-01							1	-	1

HA

KM-630MRE E. LABEL LOCATION C-0, C-1, C-2, C-3, D-0, E-0, E-1, F-0, F-1, G-0, G-1

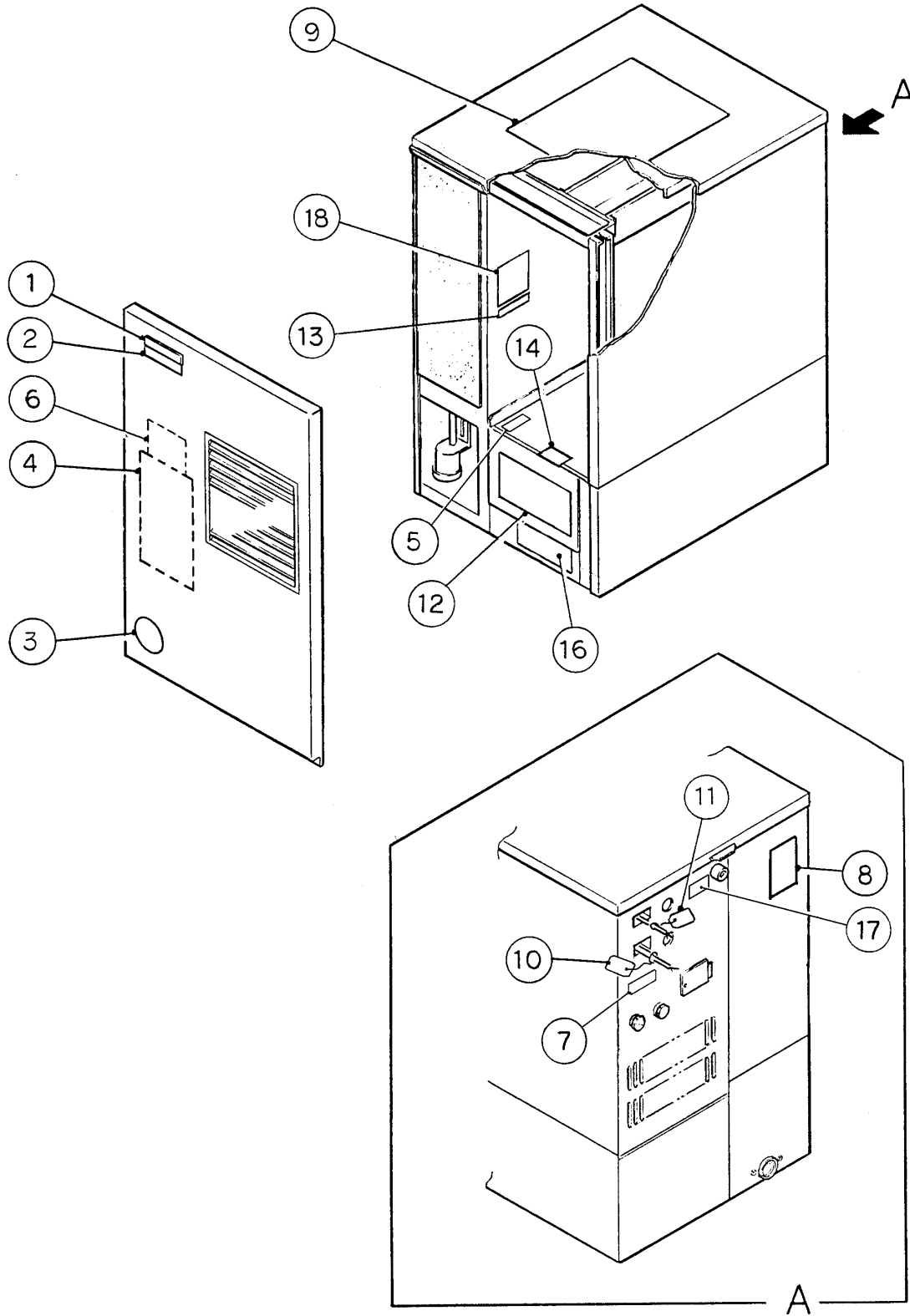


HA

KM-630MRE

E. LABEL LOCATION

H-0, H-1, H-3

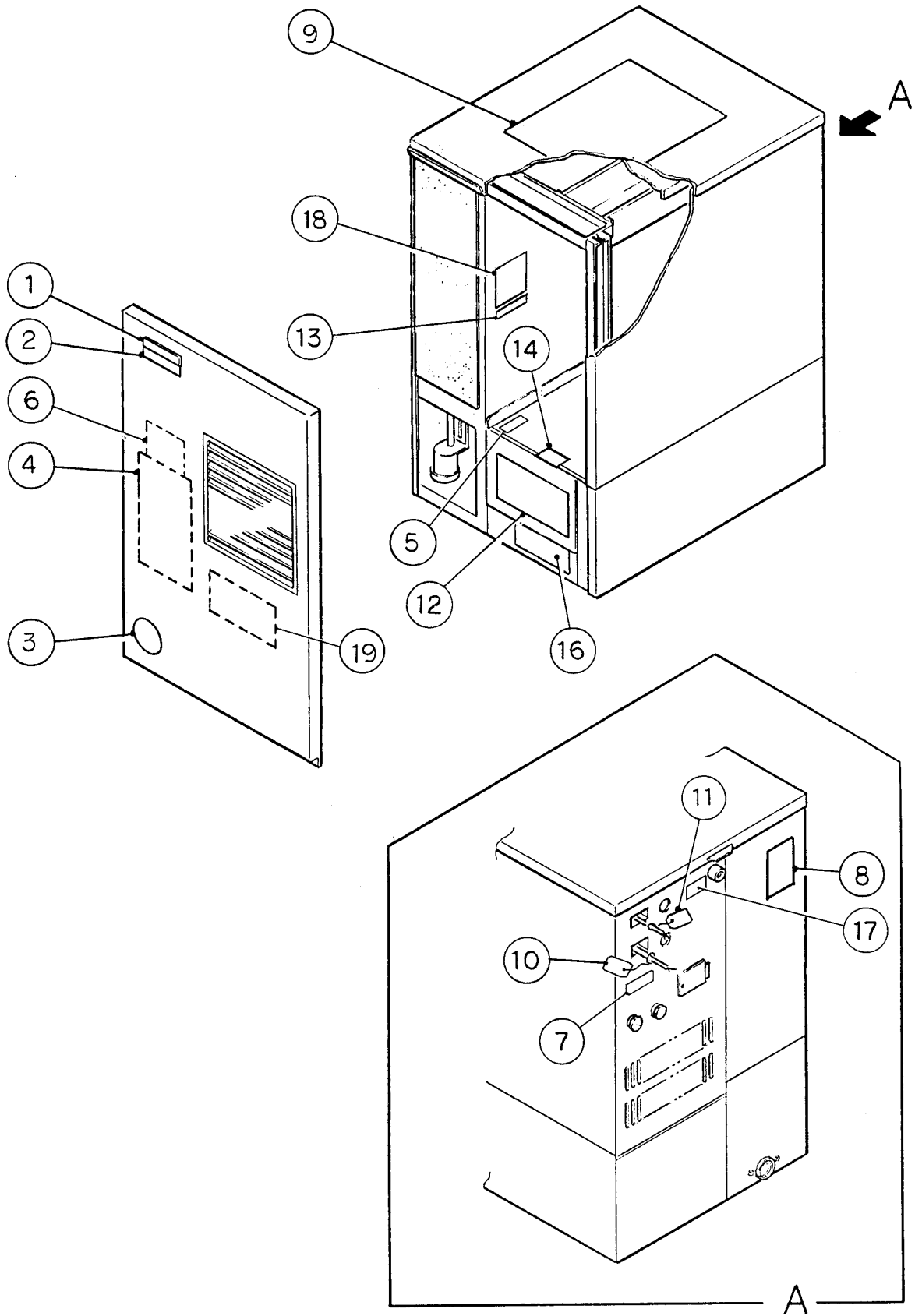


HA

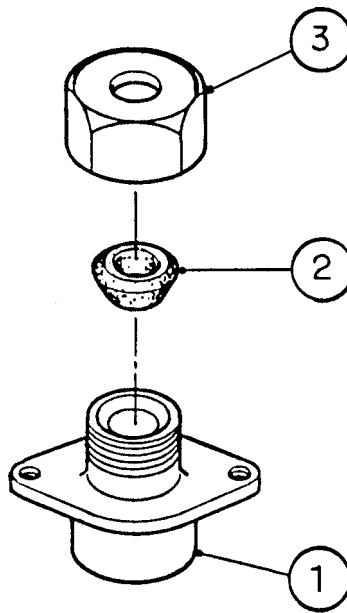
KM-630MRE

E. LABEL LOCATION

H-2, H-4, J-0



MODEL: KM-630MRE TITLE: E. LABEL LOCATION												
INDEX NO.	DESCRIPTION	MATERIAL OR MODEL NUMBER	PART NUMBER	REQUIRED NUMBER								
				C-0	D-0	F-0	F-1	H-0	H-2	H-3	H-4	J-0
				C-1	E-0		G-0	H-1				
				C-2	E-1		G-1					
				C-3								
1	EMBLEM (L) - HOSHIZAKI	ABS	418634G01	1	1	x1						
	EMBLEM	PETP FILM	4A0560-01			o1	1	1	1	1	1	1
2	MODEL NUMBER LABEL	PETP FILM	443341-06	1	1	1	1	1	1	1	1	1
3	LABEL – PENGUIN (R)	PETP FILM	410994-01	1	1	1	x1					
	LABEL – PENGUIN – HA (R)	PETP FILM	4A0526-01				o1	1	1	1	1	1
4	MAINTENANCE LABEL	PVC FILM	326218-01	1	1	1	1	1	1	1	1	1
5	WARNING LABEL – DANGER	PVC FILM	425322-01	1	1	1	1	-				
	CAUTION LABEL (H)	PVC FILM	439148-01					1	1	1	1	1
6	WIRING LABEL	PVC FILM	328092-01	1	1	1	1	1	1	1	1	1
7	CAUTION LABEL	PVC FILM	441890-01	1	1	1	1	-				
	CAUTION REMOTE LABEL	-	4A1491-01					1	1	1	1	1
8	NAMEPLATE	PES FILM	443486-01	2	-							
		PES FILM	4A0691-01		2	2	2	2	1	1	1	1
9	INSTRUCTION SHEET	PAPER	218077-01	1	1	1	1	1	1	1	1	1
10	TAG – FAN MOTOR LEADS	PAPER	420742-01	1	-							
		PAPER	4A0647-01		1	1	1	1	1	1	1	1
11	TAG – WARNING: ELECTRICAL CONNECTION	PAPER	428430-01	1	1	1	1	1	1	1	1	1
12	MANUAL LABEL	PVC FILM	322334-01	1	1	1	1	1	1	1	1	1
13	LABEL – CHARGE	PES FILM	443221-02	1	1	1	1	1	1	1	1	1
14	LABEL – R22	PES FILM	440362-01	1	1	1	1	1	1	1	1	1
15	LABEL – CONNECTION	PVC FILM	438234-01	1	1	1	1	-				
16	OPERATION LABEL – VALVE	PVC FILM	439541-01	1	1	1	1	1	1	1	1	1
17	INSTRUCTION LABEL	PVC FILM	444575-01	1	1	1	1	1	1	1	1	1
18	RATING LABEL	PES FILM	4A1602-01					1	1	1	1	1
19	LABEL – CONTROL BOARD	PVC FILM	3A0998-01						1	-	1	1

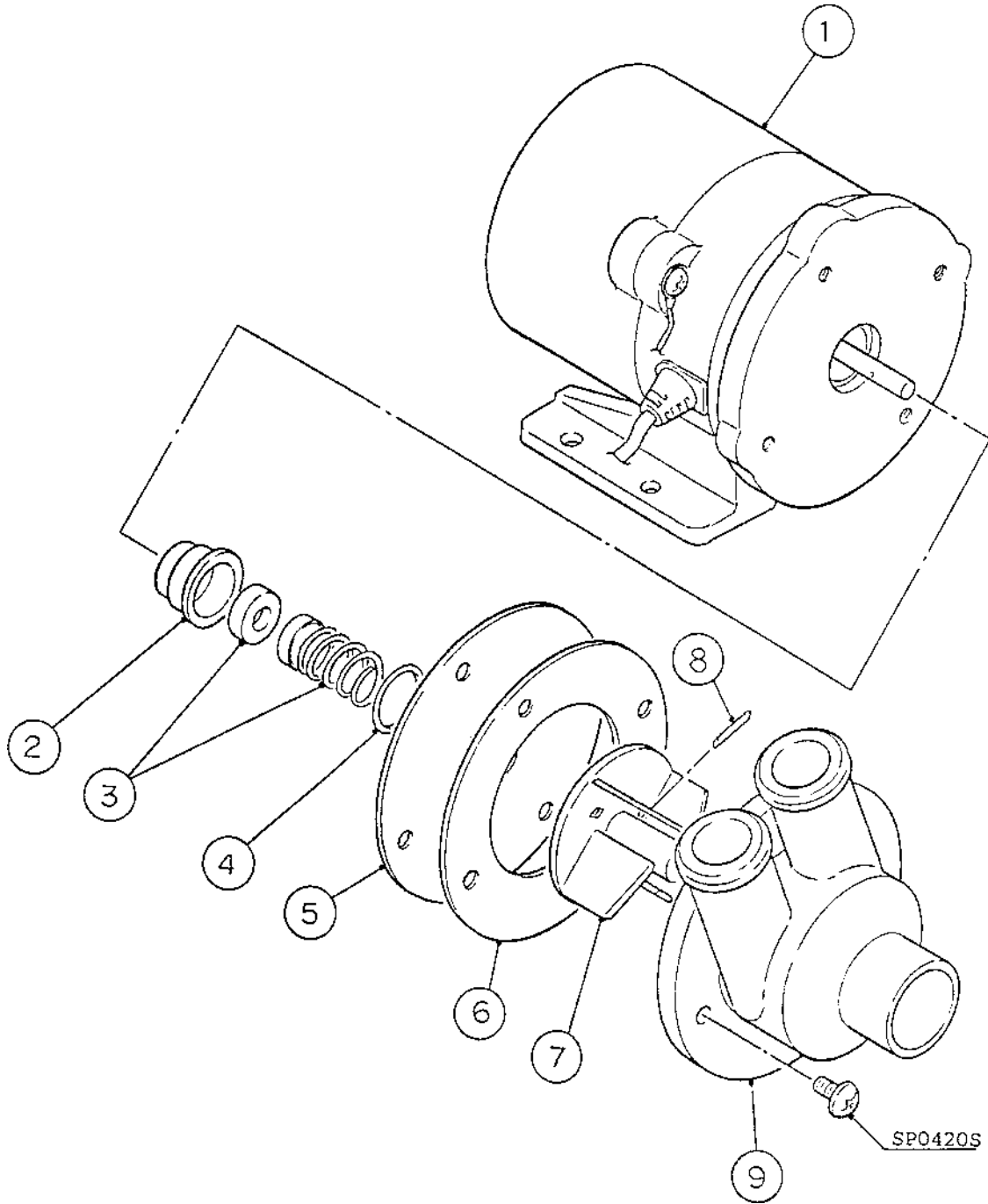


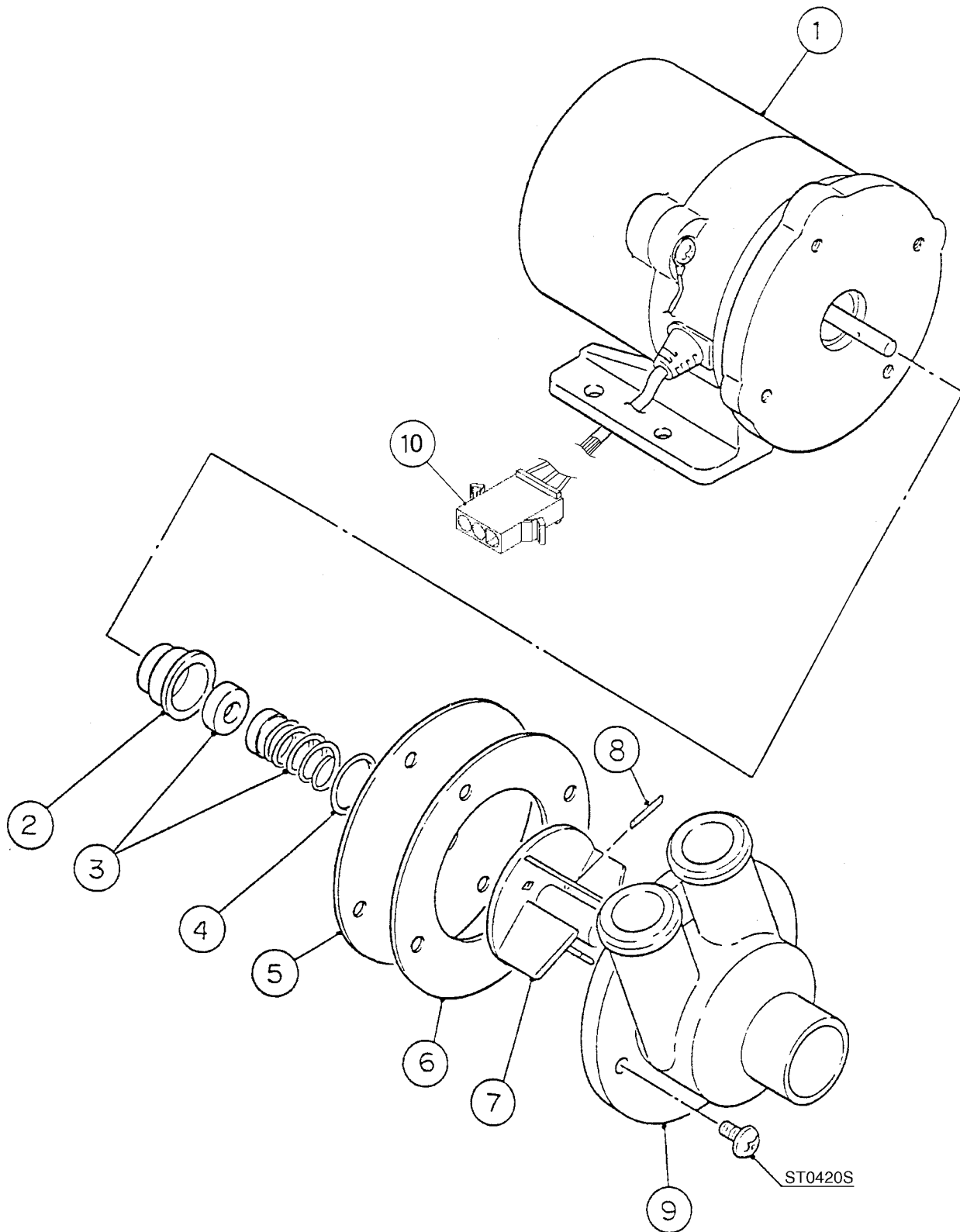
HA

KM-630MAE, MWE, MRE

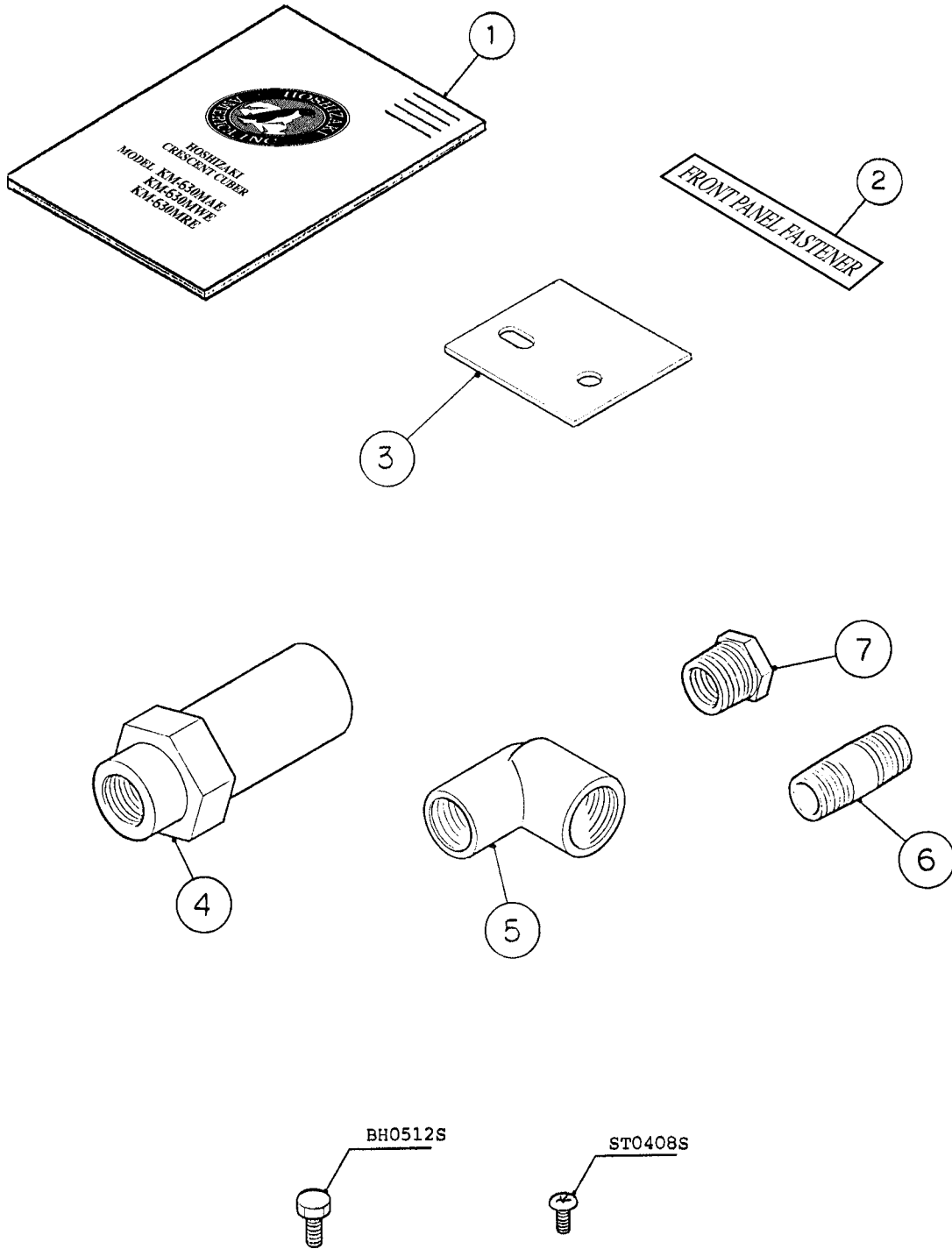
F. PUMP MOTOR ASSEMBLY

C-0, C-1, C-2, C-3, D-0,
E-0, E-1, F-0, F-1, G-0,
G-1, H-0, H-1, H-2, H-3,
H-4





MODEL: KM-630MAE, MWE, MRE TITLE: G. PUMP MOTOR ASSEMBLY												
INDEX NO.	DESCRIPTION	MATERIAL OR MODEL NUMBER	PART NUMBER	REQUIRED NUMBER								
				C-0	D-0	E-0	F-0	G-0	G-1	H-1	H-3	J-0
				C-1		E-1	F-1		H-0	H-2	H-4	
				C-2								
				C-3								
1	PUMP MOTOR	AP-TA4(H) 120V	2U0095-01	1	1	1	1	1	1	1	1	1
2	RETAINER	SS	418584-01	1	1	1	1	1	1	1	1	1
3	MECHANICAL SEAL (B)	H5-PS9, 5	415817-01	1	1	1	1	1	1	1	1	1
4	"O" RING	1AP18	7611-P018	1	1	1	1	1	1	1	1	1
5	PLATE – PUMP	SS	403013-01	1	1	1	1	1	1	1	1	1
6	PUMP GASKET	NR	403014-01	1	1	1	1	1	1	1	1	1
7	IMPELLER	ABS	433522-01	1	1	1	1	1	1	1	1	1
8	PIN	SS	414102-01	1	x1							
		SS	4A0648-01		o1	x1						
		SS	414102-01			o1	1	1	1	1	1	1
9	PUMP HOUSING	ABS	211409-01	1	1	1	1	1	1	1	1	1
10	PLUG HOUSING	-	412832-06									1



HA

KM-630MAE, MWE, MRE

H. ACCESSORIES

C-3, D-0, E-0, E-1, F-0, F-1, G-0
G-1, H-0, H-1, H-2, H-3, H-4, J-0

