

# Hoshizaki America, Inc.

## Modular Crescent Cuber

### Models

KM-50 IMAH

KM-50 IMWH

KM-50 IMRH



"A Superior Degree  
of Reliability"

[www.hoshizaki.com](http://www.hoshizaki.com)

## PARTS LIST



Number: 71254  
Issued: 5-26-2006

## CONTENTS

|                                       |    |
|---------------------------------------|----|
| Auxiliary Codes.....                  | 3  |
| Note About Ordering Parts .....       | 3  |
| Material Abbreviations .....          | 4  |
| A. Ice Cuber Assembly .....           | 5  |
| KM-501MAH .....                       | 5  |
| KM-501MWH.....                        | 7  |
| KM-501MRH .....                       | 9  |
| B. Refrigeration Circuit.....         | 11 |
| KM-501MAH.....                        | 11 |
| KM-501MWH.....                        | 15 |
| KM-501MRH .....                       | 19 |
| C. Water Circuit.....                 | 23 |
| KM-501MAH, KM-501MWH, KM-501MRH ..... | 23 |
| D. Control Box Assembly .....         | 26 |
| KM-501MAH, KM-501MWH, KM-501MRH ..... | 26 |
| E. Label Location .....               | 28 |
| KM-501MAH.....                        | 28 |
| KM-501MWH.....                        | 30 |
| KM-501MRH .....                       | 32 |
| F. Pump Motor Assembly .....          | 34 |
| KM-501MAH, KM-501MWH, KM-501MRH ..... | 34 |
| G. Control Assembly .....             | 35 |
| KM-501MAH, KM-501MWH, KM-501MRH ..... | 35 |
| H. Accessories.....                   | 36 |
| KM-501MAH, KM-501MWH, KM-501MRH ..... | 36 |

## **Auxiliary Codes**

**KM-501MAH**      R-1    January 2006

**KM-501MWH**      R-1    January 2006

**KM-501MRH**      R-1    January 2006

## **Note About Ordering Parts**

Most assemblies cannot be ordered as complete units; parts in the assemblies generally must be ordered separately.

## Material Abbreviations

### ALUMINUM

AL = Aluminum

### COPPER

CU = Copper

### PLASTIC

ABS = Acrylonitrile -butadiene - styrene  
AC = Polyacetal  
EVA = Ethylene vinyl acetate  
PA = Polyamide = Nylon  
PC = Polycarbonate  
PE = Polyethylene  
PES = Polyester  
PETP = Polyethylene terephthalate = Tetlon  
PP = Polypropylene  
PS = Polystyrene  
PTFE = Polytetrafluoroethylene = Teflon  
PUR = Polyurethane  
PVC = Polyvinyl chloride

### RUBBER

VN = Vinyl Nitrile  
EPDM = EP rubber  
NBR = Nitrile butadiene rubber  
NR = Natural rubber  
NP = Neoprene  
SI.R = Silicone rubber  
SY.R = Synthetic rubber  
EPH = Epichlorohydrin

### STEEL

GS = Galvanized steel  
SS = Stainless steel  
PS = Plated steel  
PAS = Primed steel

### AUXILIARY CODE

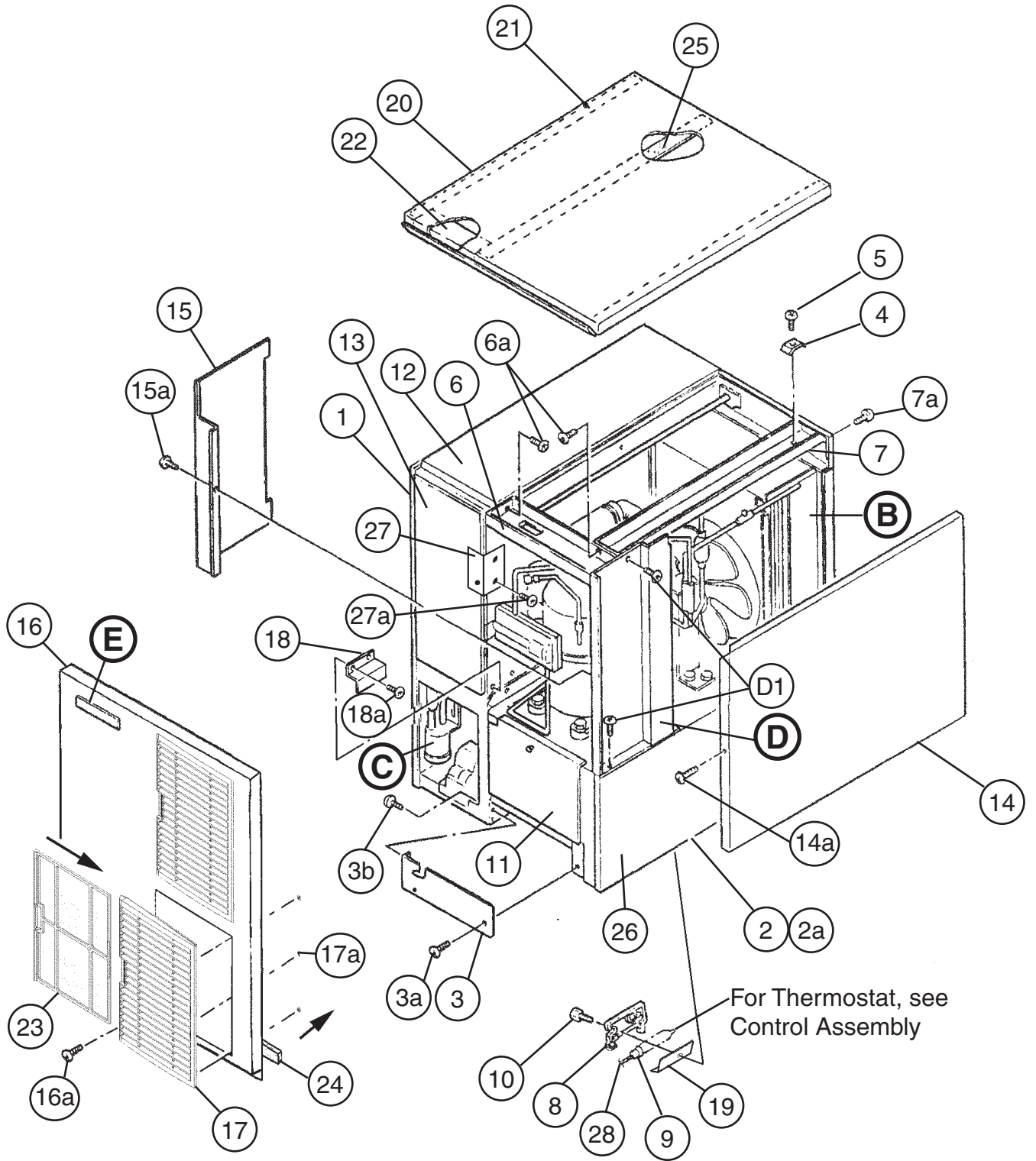
K-0

┌── Designates the year. "K" indicates the year 2000. Years progress or regress in alphabetical order.  
│── "J" is 1999, "L" is 2001, "M" is 2002, and so on. The letters "I" and "O" were skipped.  
└── Designates significant part changes within the same year for this model. Base is 0 and this number advances for each change.

Example: P-1

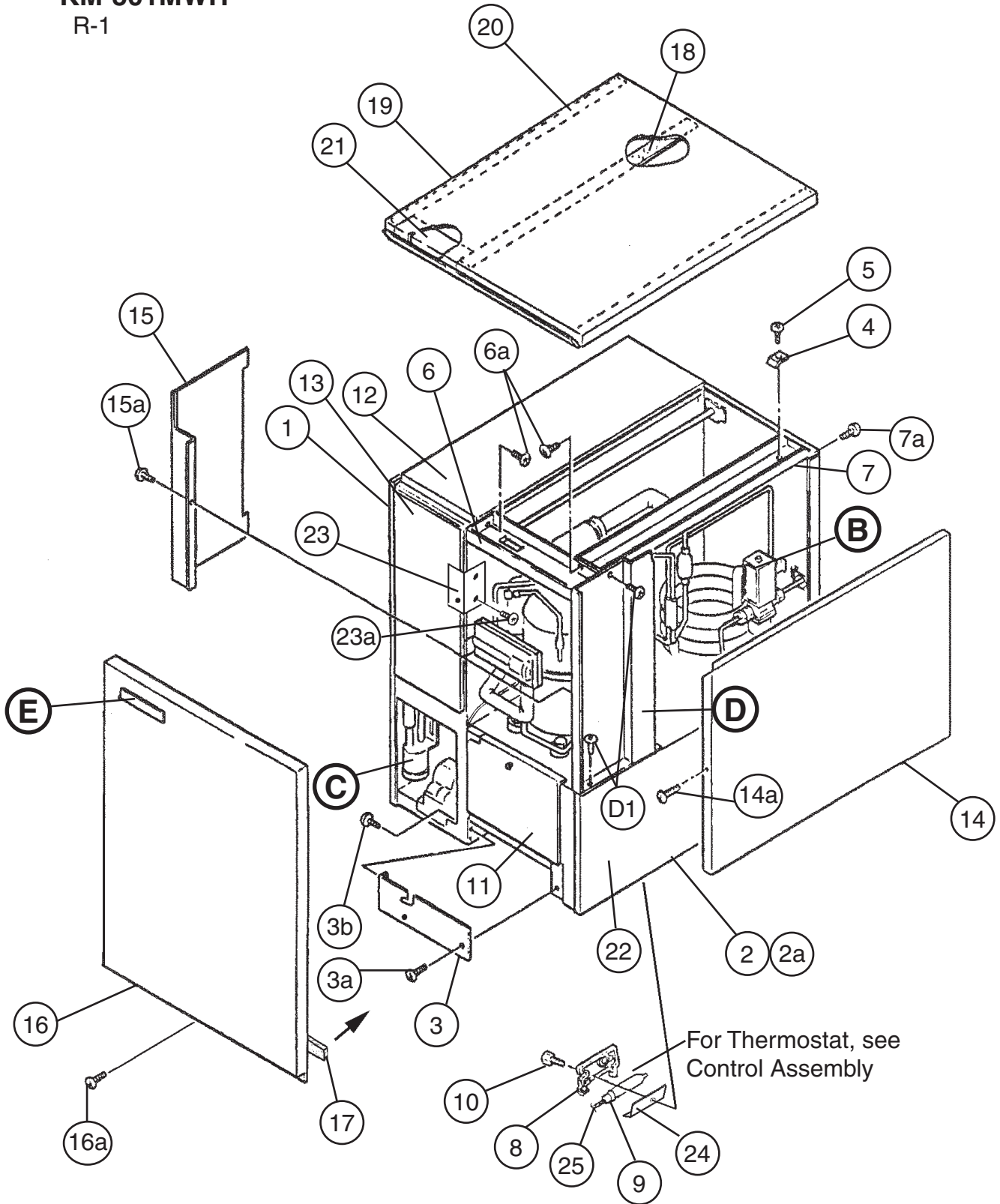
┌── "P" indicates 2004.  
└── "1" indicates the first significant part change for 2004.

**A. Ice Cuber Assembly**  
**KM-501MAH**  
 R-1



| Title: <b>A. Ice Cuber Assembly</b> Model: <b>KM-501MAH</b> |                       |                          |             |                 |  |  |  |  |  |  |  |  |  |
|---|-----------------------|--------------------------|-------------|-----------------|--|--|--|--|--|--|--|--|--|
| Index No.   | Description           | Material or Model Number | Part Number | Required Number |  |  |  |  |  |  |  |  |  |
|   |                       |                          |             | R-1             |  |  |  |  |  |  |  |  |  |
| B   | Refrigeration Circuit | -                        | 1A0420A06   | 1               |  |  |  |  |  |  |  |  |  |
| C   | Water Circuit         | HS-1204                  | 1A0283A05   | 1               |  |  |  |  |  |  |  |  |  |
| D   | Control Box Assembly  | -                        | 2A2538A01   | 1               |  |  |  |  |  |  |  |  |  |
| D1  | T2 Screw              | 4x8                      | 7P31-0408   | 4               |  |  |  |  |  |  |  |  |  |
| E   | Label Location        | -                        | 3A3996A01   | 1               |  |  |  |  |  |  |  |  |  |
| 1   | Evap. Case            | HS-1010                  | 1A0579G01   | 1               |  |  |  |  |  |  |  |  |  |
| 2   | Base                  | -                        | 2A2146G06   | 1               |  |  |  |  |  |  |  |  |  |
| 2a  | FT Screw              | 4x8                      | 7F31-0408   | 7               |  |  |  |  |  |  |  |  |  |
| 3   | Frame                 | -                        | 3A2503G01   | 1               |  |  |  |  |  |  |  |  |  |
| 3a  | Truss Head Screw      | 4x8, SS                  | 7C32-0408   | 1               |  |  |  |  |  |  |  |  |  |
| 3b  | Truss Head Screw      | 4x25, SS                 | 7C32-0425   | 2               |  |  |  |  |  |  |  |  |  |
| 4   | Square Washer         | BRASS                    | 433537-02   | 1               |  |  |  |  |  |  |  |  |  |
| 5   | Screw - Grounding     | BRASS                    | 433304-02   | 1               |  |  |  |  |  |  |  |  |  |
| 6   | Top Frame             | GS                       | 332443-01   | 1               |  |  |  |  |  |  |  |  |  |
| 6a  | T2 Screw              | 4x8                      | 7P31-0408   | 4               |  |  |  |  |  |  |  |  |  |
| 7   | Side Frame            | GS                       | 3A2782-01   | 1               |  |  |  |  |  |  |  |  |  |
| 7a  | T2 Screw              | 4x8                      | 7P31-0408   | 2               |  |  |  |  |  |  |  |  |  |
| 8   | Bulb Holder           | -                        | 328919-01   | 1               |  |  |  |  |  |  |  |  |  |
| 9   | Spacer                | -                        | 443545-01   | 2               |  |  |  |  |  |  |  |  |  |
| 10  | Thumbscrew            | SS, ABS                  | 415949G10   | 2               |  |  |  |  |  |  |  |  |  |
| 11  | Base Cover            | SS                       | 321525G01   | 1               |  |  |  |  |  |  |  |  |  |
| 12  | Top Insulation        | PP                       | 215730G01   | 1               |  |  |  |  |  |  |  |  |  |
| 13  | Front Insulation      | PP                       | 215731G01   | 1               |  |  |  |  |  |  |  |  |  |
| 14  | Side Panel (R)        | SS                       | 2A2117G01   | 1               |  |  |  |  |  |  |  |  |  |
| 14a   | T2 Screw              | 4x8, SS                  | 7P32-0408   | 1               |  |  |  |  |  |  |  |  |  |
| 15  | Control Box Cover     | GS                       | 3A2476-01   | 1               |  |  |  |  |  |  |  |  |  |
| 15a   | T2 Screw              | 4x8                      | 7P31-0408   | 1               |  |  |  |  |  |  |  |  |  |
| 16  | Front Panel           | SS                       | 2A2244G02   | 1               |  |  |  |  |  |  |  |  |  |
| 16a   | Truss Head Screw      | SS, 4x8                  | 7C32-0408   | 1               |  |  |  |  |  |  |  |  |  |
| 17  | Louver (A)            | ABS                      | 1A0547-01   | 2               |  |  |  |  |  |  |  |  |  |
| 17a   | Push Retainer         | -                        | 4A2414-01   | 6               |  |  |  |  |  |  |  |  |  |
| 18  | Barrier               | GS                       | 4A0362-01   | 1               |  |  |  |  |  |  |  |  |  |
| 18a   | T2 Screw              | 4x8                      | 7P31-0408   | 2               |  |  |  |  |  |  |  |  |  |
| 19  | Deflector             | -                        | 4A1951-01   | 1               |  |  |  |  |  |  |  |  |  |
| 20  | Top Panel             | SS<br>(3A1890A01)        | 2A2133-01   | 1               |  |  |  |  |  |  |  |  |  |
| 21  | Gasket                | PVC<br>(3A1890A01)       | 427014-04   | 2               |  |  |  |  |  |  |  |  |  |
| 22  | Insulation            | PE FOAM<br>(3A1890A01)   | 438012-01   | 1               |  |  |  |  |  |  |  |  |  |
| 23  | Air Filter (A)        | ABS                      | 2A2062G01   | 2               |  |  |  |  |  |  |  |  |  |
| 24  | Gasket                | L=554                    | 4A0808L02   | 1               |  |  |  |  |  |  |  |  |  |
| 25  | Gasket (A)            | (3A1890A01)              | 324859-03   | 1               |  |  |  |  |  |  |  |  |  |
| 26  | Side Panel (R) – Base | SS                       | 2A2147-01   | 1               |  |  |  |  |  |  |  |  |  |
| 27  | Barrier - Insulation  | GS                       | 4A1167-01   | 1               |  |  |  |  |  |  |  |  |  |
| 27a   | T2 Screw              | 4x8                      | 7P31-0408   | 2               |  |  |  |  |  |  |  |  |  |
| 28  | Silicone Hose         | L = 390                  | 7730I3812   | 1               |  |  |  |  |  |  |  |  |  |

**A. Ice Cuber Assembly**  
**KM-501MWH**  
 R-1

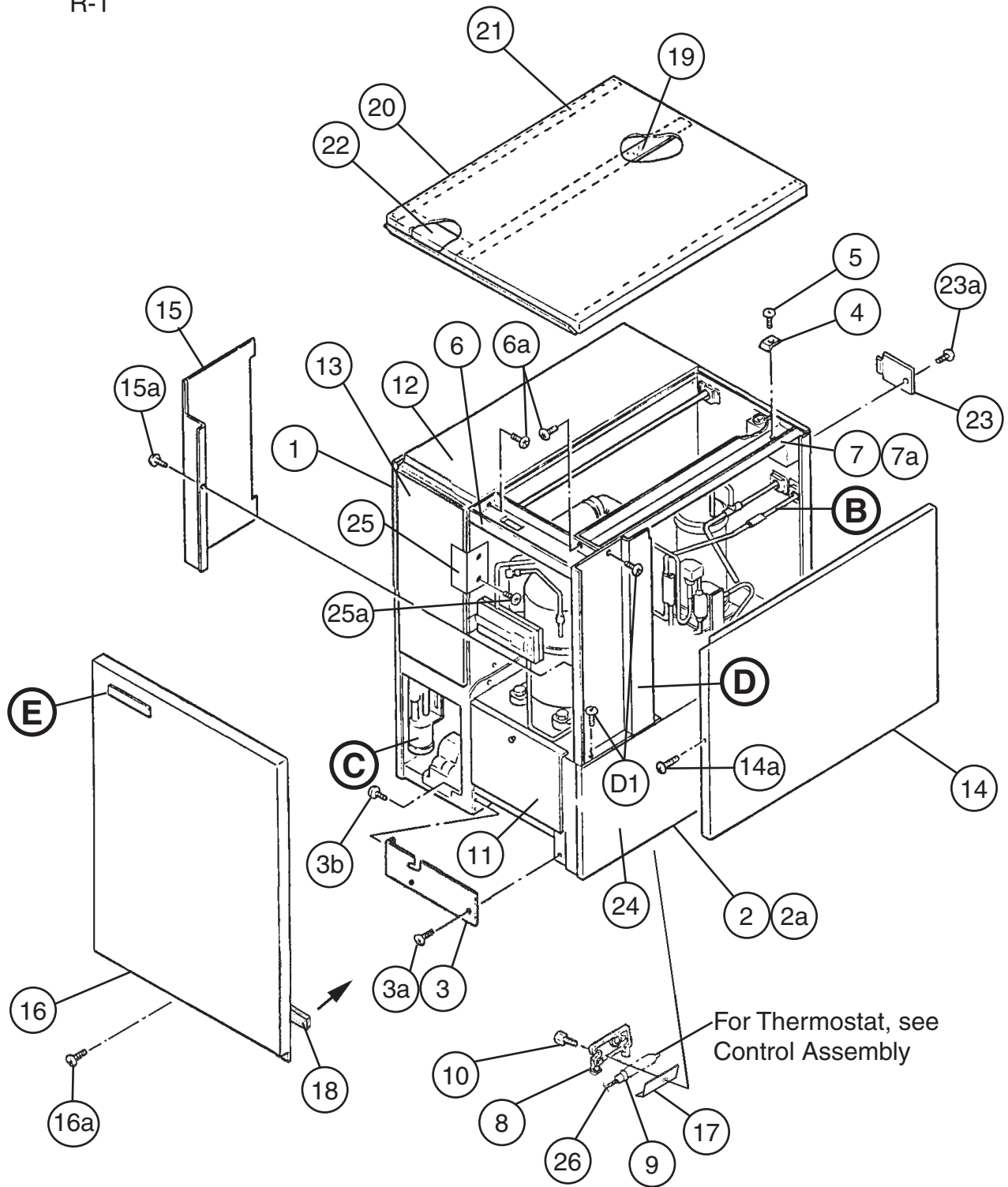


Title: **A. Ice Cuber Assembly** Model: **KM-501MWH**

| Index No. | Description           | Material or Model Number | Part Number | Required Number |  |  |  |  |  |  |  |  |  |
|-----------|-----------------------|--------------------------|-------------|-----------------|--|--|--|--|--|--|--|--|--|
|           |                       |                          |             | R-1             |  |  |  |  |  |  |  |  |  |
| B         | Refrigeration Circuit |                          | 1A0680A03   | 1               |  |  |  |  |  |  |  |  |  |
| C         | Water Circuit         | HS-1204                  | 1A0283A05   | 1               |  |  |  |  |  |  |  |  |  |
| D         | Control Box Assembly  | -                        | 2A2538A02   | 1               |  |  |  |  |  |  |  |  |  |
| D1        | T2 Screw              | 4x8                      | 7P31-0408   | 4               |  |  |  |  |  |  |  |  |  |
| E         | Label Location        | -                        | 3A3997A01   | 1               |  |  |  |  |  |  |  |  |  |
| 1         | Evap. Case            | HS-1010                  | 1A0579G01   | 1               |  |  |  |  |  |  |  |  |  |
| 2         | Base                  | -                        | 2A2146G09   | 1               |  |  |  |  |  |  |  |  |  |
| 2a        | FT Screw              | 4x8                      | 7F31-0408   | 7               |  |  |  |  |  |  |  |  |  |
| 3         | Frame                 | -                        | 3A2503G01   | 1               |  |  |  |  |  |  |  |  |  |
| 3a        | Truss Head Screw      | 4x8, SS                  | 7C32-0408   | 1               |  |  |  |  |  |  |  |  |  |
| 3b        | Truss Head Screw      | 4x25, SS                 | 7C32-0425   | 2               |  |  |  |  |  |  |  |  |  |
| 4         | Square Washer         | BRASS                    | 433537-02   | 1               |  |  |  |  |  |  |  |  |  |
| 5         | Screw - Grounding     | BRASS                    | 433304-02   | 1               |  |  |  |  |  |  |  |  |  |
| 6         | Top Frame             | GS                       | 332443-01   | 1               |  |  |  |  |  |  |  |  |  |
| 6a        | T2 Screw              | 4x8                      | 7P31-0408   | 4               |  |  |  |  |  |  |  |  |  |
| 7         | Side Frame            | GS                       | 3A2782-01   | 1               |  |  |  |  |  |  |  |  |  |
| 7a        | T2 Screw              | 4x8                      | 7P31-0408   | 2               |  |  |  |  |  |  |  |  |  |
| 8         | Bulb Holder           | -                        | 328919-01   | 1               |  |  |  |  |  |  |  |  |  |
| 9         | Spacer                | -                        | 443545-01   | 2               |  |  |  |  |  |  |  |  |  |
| 10        | Thumbscrew            | SS, ABS                  | 415949G10   | 2               |  |  |  |  |  |  |  |  |  |
| 11        | Base Cover            | SS                       | 321525G01   | 1               |  |  |  |  |  |  |  |  |  |
| 12        | Top Insulation        | PP                       | 215730G01   | 1               |  |  |  |  |  |  |  |  |  |
| 13        | Front Insulation      | PP                       | 215731G01   | 1               |  |  |  |  |  |  |  |  |  |
| 14        | Side Panel (R)        | SS                       | 2A2117G01   | 1               |  |  |  |  |  |  |  |  |  |
| 14a       | T2 Screw              | 4x8, SS                  | 7P32-0408   | 1               |  |  |  |  |  |  |  |  |  |
| 15        | Control Box Cover     | GS                       | 3A2476-01   | 1               |  |  |  |  |  |  |  |  |  |
| 15a       | T2 Screw              | 4x8                      | 7P31-0408   | 1               |  |  |  |  |  |  |  |  |  |
| 16        | Front Panel           | SS                       | 2A2150G01   | 1               |  |  |  |  |  |  |  |  |  |
| 16a       | Truss Head Screw      | 33, 4x8                  | 7C32-0408   | 1               |  |  |  |  |  |  |  |  |  |
| 17        | Gasket                | L=554                    | 4A0808L02   | 1               |  |  |  |  |  |  |  |  |  |
| 18        | Gasket (A)            | (3A1890A01)              | 324859-03   | 1               |  |  |  |  |  |  |  |  |  |
| 19        | Top Panel             | SS,<br>(3A1890A01)       | 2A2133-01   | 1               |  |  |  |  |  |  |  |  |  |
| 20        | Gasket                | PVC,<br>(3A1890A01)      | 427014-04   | 2               |  |  |  |  |  |  |  |  |  |
| 21        | Insulation            | PE FOAM,<br>(3A1890A01)  | 438012-01   | 1               |  |  |  |  |  |  |  |  |  |
| 22        | Side Panel (R) – Base | SS                       | 2A2147-01   | 1               |  |  |  |  |  |  |  |  |  |
| 23        | Barrier – Insulation  | GS                       | 4A1167-01   | 1               |  |  |  |  |  |  |  |  |  |
| 23a       | T2 Screw              | 4x8                      | 7P31-0408   | 2               |  |  |  |  |  |  |  |  |  |
| 24        | Deflector             | -                        | 4A1951-01   | 1               |  |  |  |  |  |  |  |  |  |
| 25        | Silicone Hose         | L = 390                  | 773013812   | 1               |  |  |  |  |  |  |  |  |  |

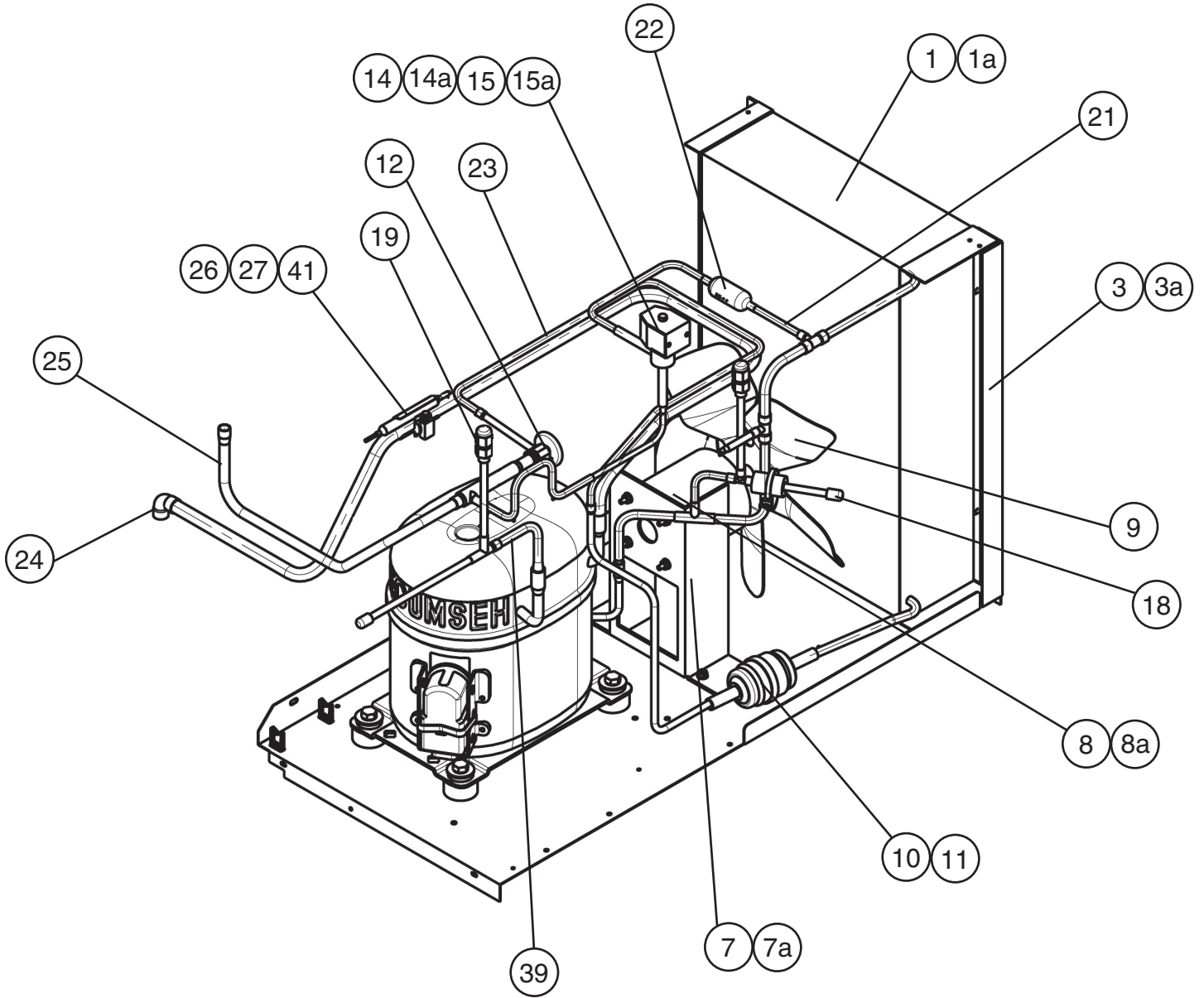


**A. Ice Cuber Assembly**  
**KM-501MRH**  
 R-1

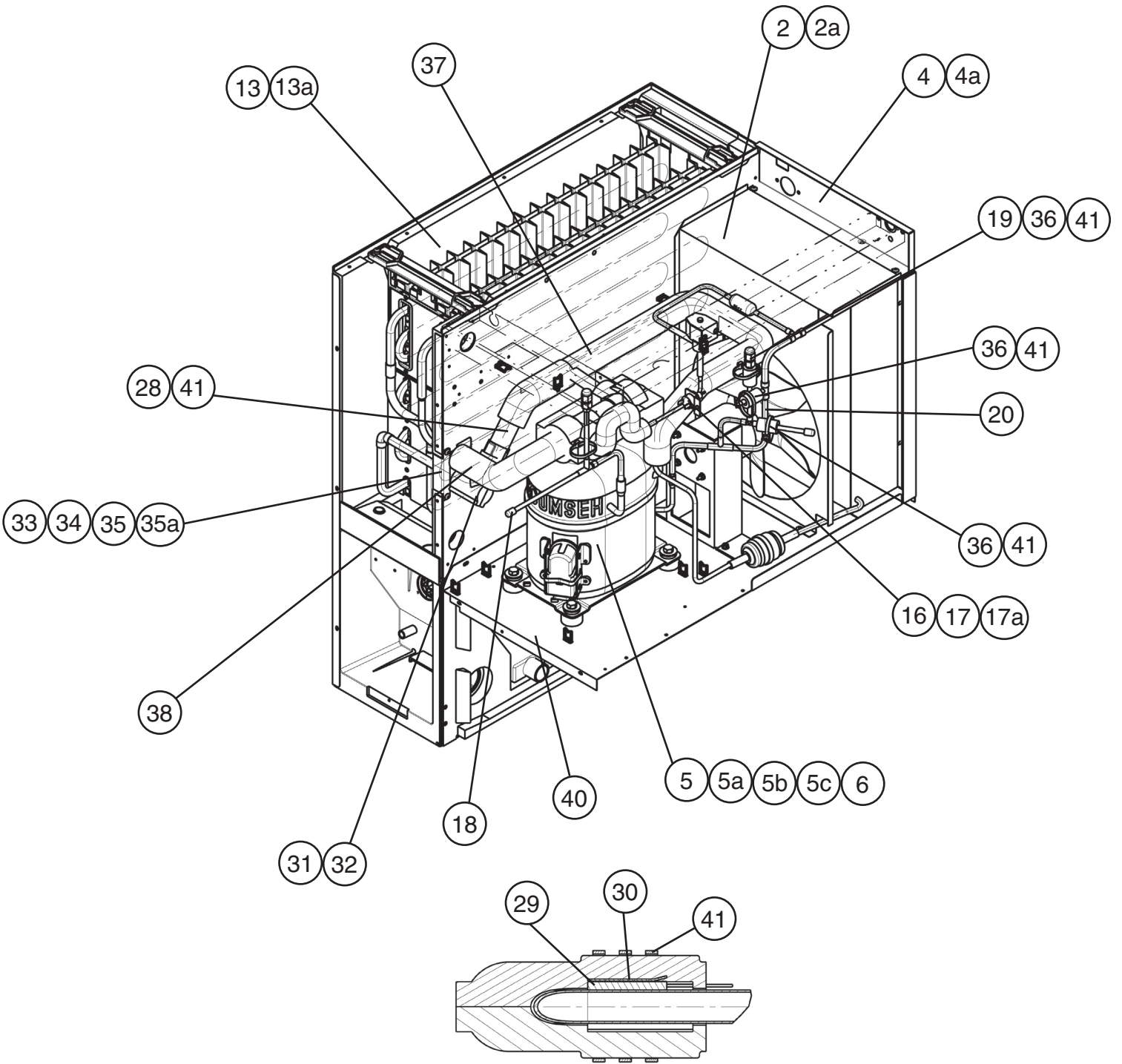


| Title: <b>A. Ice Cuber Assembly</b> Model: <b>KM-501MRH</b> |                       |                          |             |                 |  |  |  |  |  |  |  |  |
|---|-----------------------|--------------------------|-------------|-----------------|--|--|--|--|--|--|--|--|
| Index No.   | Description           | Material or Model Number | Part Number | Required Number |  |  |  |  |  |  |  |  |
|   |                       |                          |             | R-1             |  |  |  |  |  |  |  |  |
| B   | Refrigeration Circuit | -                        | 1A0422A03   | 1               |  |  |  |  |  |  |  |  |
| C   | Water Circuit         | HS-1204                  | 1A0283A05   | 1               |  |  |  |  |  |  |  |  |
| D   | Control Box Assembly  | -                        | 2A2538A02   | 1               |  |  |  |  |  |  |  |  |
| D1  | T2 Screw              | 4x8                      | 7P31-0408   | 4               |  |  |  |  |  |  |  |  |
| E   | Label Location        | -                        | 3A3998A01   | 1               |  |  |  |  |  |  |  |  |
| 1   | Evap. Case            | HS-1010                  | 1A0579G01   | 1               |  |  |  |  |  |  |  |  |
| 2   | Base                  | -                        | 2A2146G07   | 1               |  |  |  |  |  |  |  |  |
| 2a  | FT Screw              | 4x8                      | 7F31-0408   | 7               |  |  |  |  |  |  |  |  |
| 3   | Frame                 | -                        | 3A2503G01   | 1               |  |  |  |  |  |  |  |  |
| 3a  | Truss Head Screw      | 4x8, SS                  | 7C32-0408   | 1               |  |  |  |  |  |  |  |  |
| 3b  | Truss Head Screw      | 4x25, SS                 | 7C32-0425   | 2               |  |  |  |  |  |  |  |  |
| 4   | Square Washer         | BRASS                    | 433537-02   | 1               |  |  |  |  |  |  |  |  |
| 5   | Screw - Grounding     | BRASS                    | 433304-02   | 1               |  |  |  |  |  |  |  |  |
| 6   | Top Frame             | GS                       | 332443-01   | 1               |  |  |  |  |  |  |  |  |
| 6a  | T2 Screw              | 4x8                      | 7P31-0408   | 4               |  |  |  |  |  |  |  |  |
| 7   | Side Frame            | GS                       | 3A2782-01   | 1               |  |  |  |  |  |  |  |  |
| 7a  | T2 Screw              | 4x8                      | 7P31-0408   | 2               |  |  |  |  |  |  |  |  |
| 8   | Bulb Holder           | -                        | 328919-01   | 1               |  |  |  |  |  |  |  |  |
| 9   | Spacer                | -                        | 443545-01   | 2               |  |  |  |  |  |  |  |  |
| 10  | Thumbscrew            | SS, ABS                  | 415949G10   | 2               |  |  |  |  |  |  |  |  |
| 11  | Base Cover            | SS                       | 321525G01   | 1               |  |  |  |  |  |  |  |  |
| 12  | Top Insulation        | PP                       | 215730G01   | 1               |  |  |  |  |  |  |  |  |
| 13  | Front Insulation      | PP                       | 215731G01   | 1               |  |  |  |  |  |  |  |  |
| 14  | Side Panel (R)        | SS                       | 2A2117G01   | 1               |  |  |  |  |  |  |  |  |
| 14a   | T2 Screw              | 4x8, SS                  | 7P32-0408   | 1               |  |  |  |  |  |  |  |  |
| 15  | Control Box Cover     | -                        | 3A2476-01   | 1               |  |  |  |  |  |  |  |  |
| 15a   | T2 Screw              | 4x8                      | 7P31-0408   | 1               |  |  |  |  |  |  |  |  |
| 16  | Front Panel           | SS                       | 2A2150G01   | 1               |  |  |  |  |  |  |  |  |
| 16a   | Truss Head Screw      | SS, 4x8                  | 7C32-0408   | 1               |  |  |  |  |  |  |  |  |
| 17  | Deflector             | -                        | 4A1951-01   | 1               |  |  |  |  |  |  |  |  |
| 18  | Gasket                | L=554                    | 4A0808L02   | 1               |  |  |  |  |  |  |  |  |
| 19  | Gasket (A)            | (3A1890A01)              | 324859-03   | 1               |  |  |  |  |  |  |  |  |
| 20  | Top Panel             | SS,<br>(3A1890A01)       | 2A2133-01   | 1               |  |  |  |  |  |  |  |  |
| 21  | Gasket                | PVC,<br>(3A1890A01)      | 427014-04   | 2               |  |  |  |  |  |  |  |  |
| 22  | Insulation            | PE FOAM,<br>(3A1890A01)  | 438012-01   | 1               |  |  |  |  |  |  |  |  |
| 23  | Junction Box Cover    | GS                       | 433410-01   | 1               |  |  |  |  |  |  |  |  |
| 23a   | T2 Screw              | 4x8                      | 7P31-0408   | 1               |  |  |  |  |  |  |  |  |
| 24  | Side Panel (R) – Base | SS                       | 2A2147-01   | 1               |  |  |  |  |  |  |  |  |
| 25  | Barrier – Insulation  | GS                       | 4A1167-01   | 1               |  |  |  |  |  |  |  |  |
| 25a   | T2 Screw              | 4x8                      | 7P31-0408   | 2               |  |  |  |  |  |  |  |  |
| 26  | Silicone Hose         | L = 390                  | 773013812   | 1               |  |  |  |  |  |  |  |  |

**B. Refrigeration Circuit**  
**1/2**  
**KM-501MAH**  
R-1



**B. Refrigeration Circuit**  
**2/2**  
**KM-501MAH**  
R-1

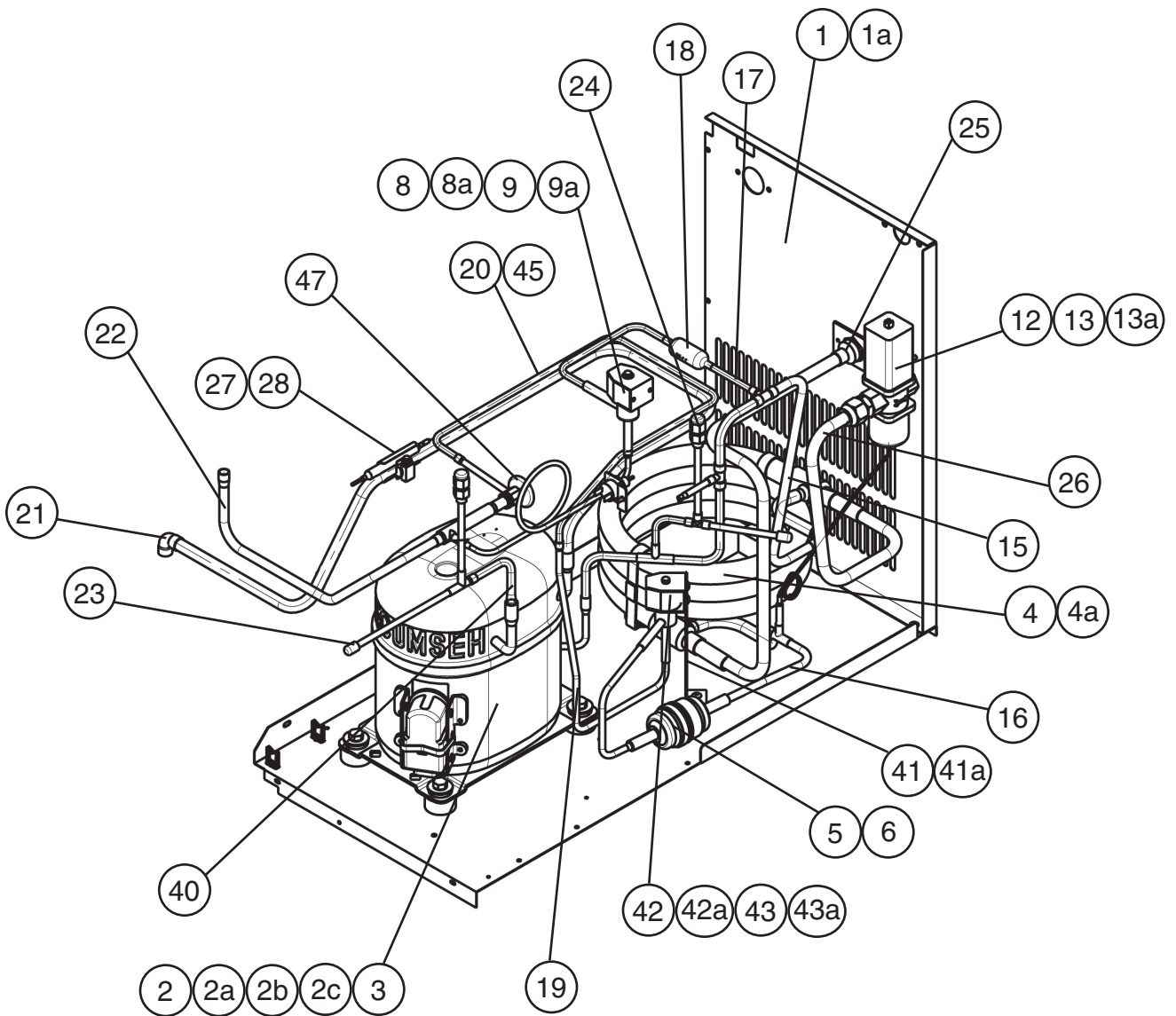


Title: **B. Refrigeration Circuit** Model: **KM-501MAH**

| Index No. | Description                 | Material or Model Number   | Part Number | R-1 | Required Number |  |  |  |  |  |  |  |  |
|-----------|-----------------------------|----------------------------|-------------|-----|-----------------|--|--|--|--|--|--|--|--|
|           |                             |                            |             |     |                 |  |  |  |  |  |  |  |  |
| 1         | Condenser                   | -                          | 220491-01   | 1   |                 |  |  |  |  |  |  |  |  |
| 1a        | T2 Screw                    | 4x8                        | 7P31-0408   | 2   |                 |  |  |  |  |  |  |  |  |
| 2         | Shroud                      | GS                         | 2A0606-01   | 1   |                 |  |  |  |  |  |  |  |  |
| 2a        | T2 Screw                    | 4x8                        | 7P31-0408   | 2   |                 |  |  |  |  |  |  |  |  |
| 3         | Barrier                     | GS                         | 433693-04   | 1   |                 |  |  |  |  |  |  |  |  |
| 3a        | T2 Screw                    | 4x8                        | 7P31-0408   | 2   |                 |  |  |  |  |  |  |  |  |
| 4         | Rear Panel                  | GS                         | 3A0562-01   | 1   |                 |  |  |  |  |  |  |  |  |
| 4a        | T2 Screw                    | 4x8                        | 7P31-0408   | 3   |                 |  |  |  |  |  |  |  |  |
| 5         | Compressor                  | AKA9455ZxA                 | 4A1820-01   | 1   |                 |  |  |  |  |  |  |  |  |
| 5a        | Bolt                        | 8x45                       | 437889-01   | 4   |                 |  |  |  |  |  |  |  |  |
| 5b        | Spacer                      | 027-0072-02                | 434404-01   | 4   |                 |  |  |  |  |  |  |  |  |
| 5c        | Grommet                     | 527-0039-04                | 434403-01   | 4   |                 |  |  |  |  |  |  |  |  |
| 6         | Motor Protector             | 8300MRAK30                 | 4A1875-01   | 1   |                 |  |  |  |  |  |  |  |  |
| 7         | Fan Motor Bracket           | GS                         | 327179-01   | 1   |                 |  |  |  |  |  |  |  |  |
| 7a        | Hex Bolt Assembly (LF)      | 5x12, SS                   | 7B0130512   | 4   |                 |  |  |  |  |  |  |  |  |
| 8         | Fan Motor                   | U90B1,<br>7190-1031        | 4A3158-01   | 1   |                 |  |  |  |  |  |  |  |  |
| 8a        | Self-locking Nut            | NO. 8-32                   | 7N2110832   | 4   |                 |  |  |  |  |  |  |  |  |
| 9         | Fan Blade                   | AD10CW32                   | 444898-01   | 1   |                 |  |  |  |  |  |  |  |  |
| 10        | Drier                       | C-03E117                   | 4A2666-01   | 1   |                 |  |  |  |  |  |  |  |  |
| 11        | Nylon Tie                   | -                          | 8911-0301   | 1   |                 |  |  |  |  |  |  |  |  |
| 12        | Expansion Valve             | HFE-10NHD-2                | 4A1414-01   | 1   |                 |  |  |  |  |  |  |  |  |
| 13        | Evaporator                  | -                          | 106492G01   | 1   |                 |  |  |  |  |  |  |  |  |
| 13a       | T2 Screw                    | 4x16, SS                   | 7P32-0416   | 4   |                 |  |  |  |  |  |  |  |  |
| 14        | Valve Body - Hot Gas        | 70                         | 4A3978-01   | 1   |                 |  |  |  |  |  |  |  |  |
| 14a       | Bolt                        | 4x6                        | 4A3277F01   | 1   |                 |  |  |  |  |  |  |  |  |
| 15        | Coil - Valve                |                            | 4A3277-01   | 1   |                 |  |  |  |  |  |  |  |  |
| 15a       | Truss Head Screw            | 4x8                        | 7C31-0408   | 2   |                 |  |  |  |  |  |  |  |  |
| 16        | Pressure Switch             | ACB-1UB09                  | 433441-07   | 1   |                 |  |  |  |  |  |  |  |  |
| 17        | Pressure Switch Bracket     | GS                         | 434938-01   | 1   |                 |  |  |  |  |  |  |  |  |
| 17a       | T2 Screw                    | 4x8                        | 7P31-0408   | 1   |                 |  |  |  |  |  |  |  |  |
| 18        | Endcap                      | -                          | 4A2666F01   | 2   |                 |  |  |  |  |  |  |  |  |
| 19        | Access Valve                | -                          | 457729-01   | 2   |                 |  |  |  |  |  |  |  |  |
| 20        | Copper Tube (A) - High Side | COPPER                     | 2A3851G01   | 1   |                 |  |  |  |  |  |  |  |  |
| 21        | Copper Tube (D) - High Side | COPPER                     | 3A4006G01   | 1   |                 |  |  |  |  |  |  |  |  |
| 22        | Strainer                    | (included in<br>3A4006G01) | 441569-01   | 1   |                 |  |  |  |  |  |  |  |  |
| 23        | Heat Exchanger              | -                          | 2A3447G01   | 1   |                 |  |  |  |  |  |  |  |  |
| 24        | Elbow                       | COPPER                     | 417395-03   | 1   |                 |  |  |  |  |  |  |  |  |
| 25        | Copper Tube - Hot Gas       | COPPER                     | 2A3435G01   | 1   |                 |  |  |  |  |  |  |  |  |
| 26        | Holder / Exp. Valve – 3/8   | SS                         | 3A0107-01   | 1   |                 |  |  |  |  |  |  |  |  |
| 27        | Clamp                       | SS                         | 443461-02   | 1   |                 |  |  |  |  |  |  |  |  |
| 28        | Expansion Valve Cover       | PE FOAM                    | 3A0944-01   | 1   |                 |  |  |  |  |  |  |  |  |

| Title: <b>B. Refrigeration Circuit</b> Model: <b>KM-501MAH</b> |                             |                          |             |                 |  |  |  |  |  |  |  |  |
|--|-----------------------------|--------------------------|-------------|-----------------|--|--|--|--|--|--|--|--|
| Index No.  | Description                 | Material or Model Number | Part Number | Required Number |  |  |  |  |  |  |  |  |
|  |                             |                          |             | R-1             |  |  |  |  |  |  |  |  |
| 29   | Thermistor                  | -                        | 429006-03   | 1               |  |  |  |  |  |  |  |  |
| 30   | Holder - Thermistor         | COPPER                   | 427430-01   | 1               |  |  |  |  |  |  |  |  |
| 31   | Insulation - Thermistor (A) | PE FOAM                  | 439368-01   | 1               |  |  |  |  |  |  |  |  |
| 32   | Insulation - Thermistor (B) | PE FOAM                  | 439368-02   | 1               |  |  |  |  |  |  |  |  |
| 33   | Rubber Insulation (A)       | EPDM                     | 3A1044-01   | 1               |  |  |  |  |  |  |  |  |
| 34   | Rubber Insulation (B)       | EPDM                     | 3A1045-01   | 1               |  |  |  |  |  |  |  |  |
| 35   | Insulation Holder           | -                        | 4A1550-01   | 1               |  |  |  |  |  |  |  |  |
| 35a  | T2 Screw                    | 4x8, SS                  | 7P32-0408   | 2               |  |  |  |  |  |  |  |  |
| 36   | Insulation Tube             | L=40                     | 7762-1020   | 3               |  |  |  |  |  |  |  |  |
| 37   | Insulation Tube             | L=75                     | 7762-1020   | 1               |  |  |  |  |  |  |  |  |
| 38   | Insulation Tube             | L=220                    | 7762-2040   | 1               |  |  |  |  |  |  |  |  |
| 39   | Copper Tube Access Valve    | COPPER                   | 3A3999G01   | 1               |  |  |  |  |  |  |  |  |
| 40   | Wire Saddle                 | VWS4238-C                | 4A0338-02   | 10              |  |  |  |  |  |  |  |  |
| 41   | Cable Tie                   | CV-200 (PLT-2M)          | 8911-0200   | 13              |  |  |  |  |  |  |  |  |

**B. Refrigeration Circuit**  
1/2  
**KM-501MWH**  
R-1



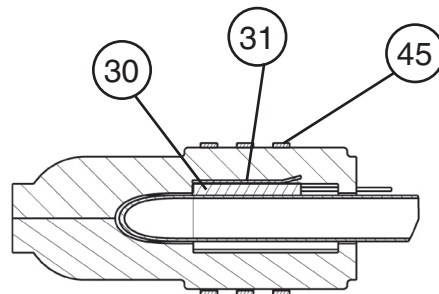
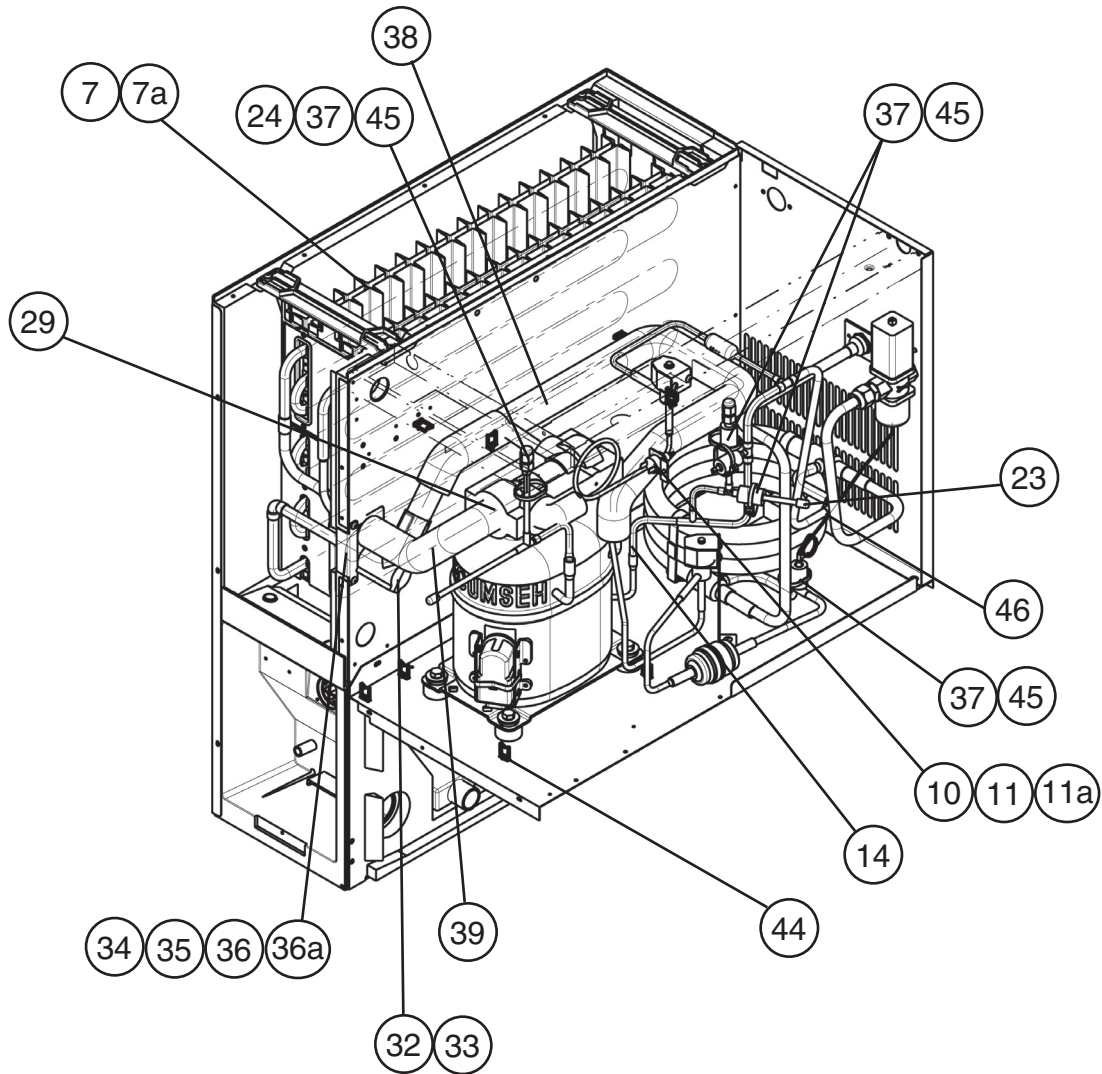


# B. Refrigeration Circuit

2/2

KM-501MWH

R-1



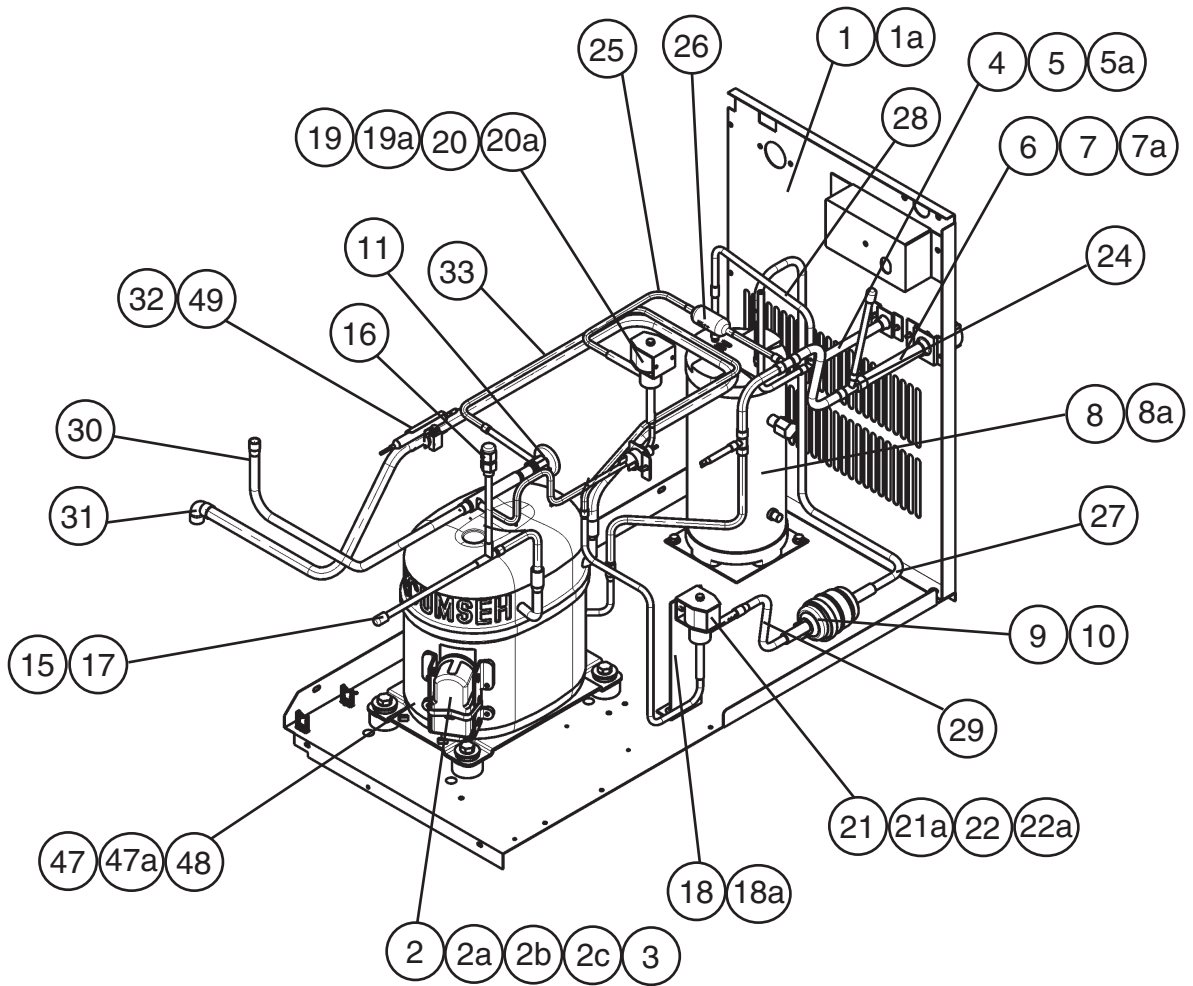


Title: **B. Refrigeration Circuit** Model: **KM-501MWH**

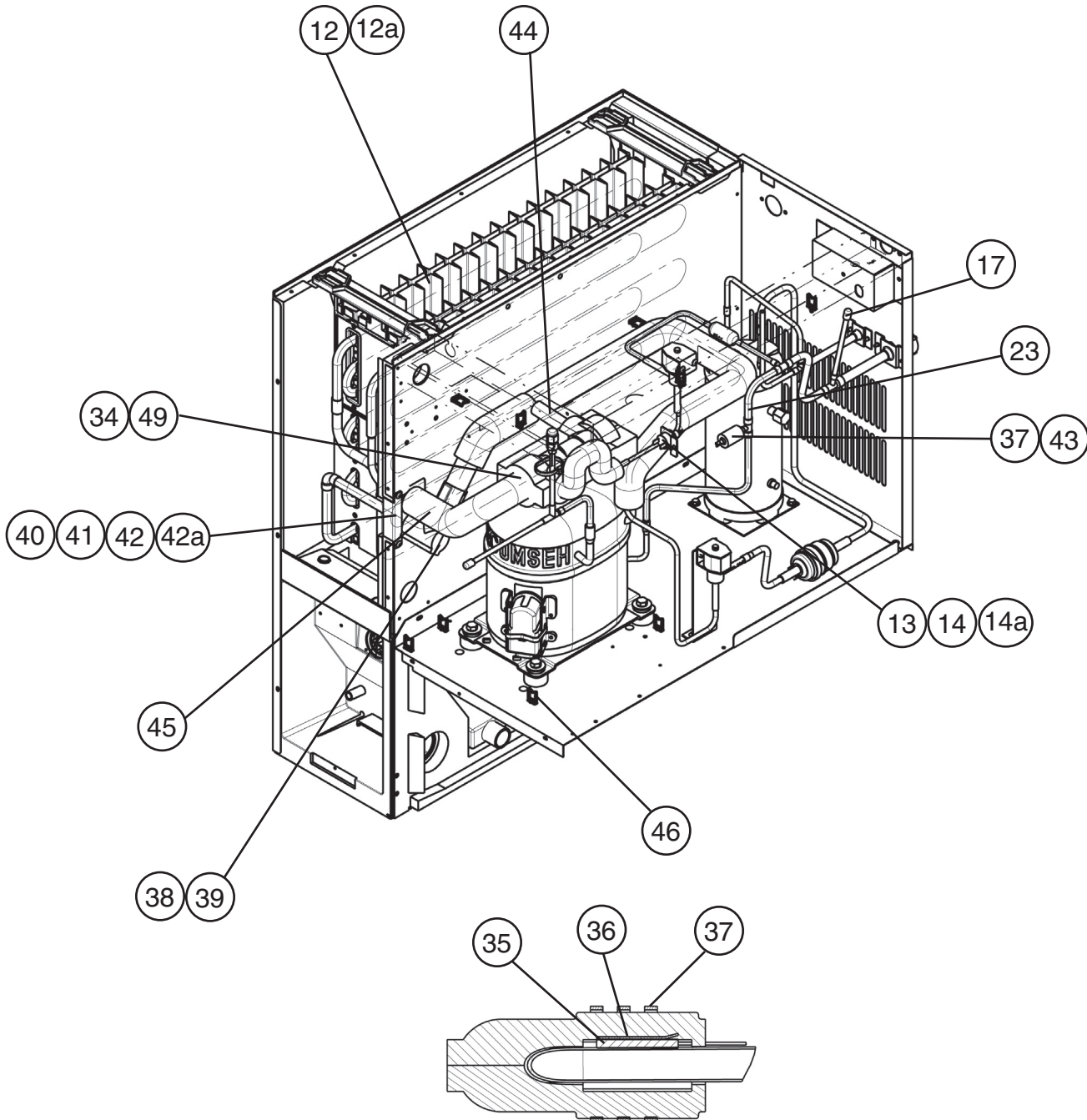
| Index No. | Description                     | Material or Model Number | Part Number | Required Number |  |  |  |  |  |  |  |  |  |
|-----------|---------------------------------|--------------------------|-------------|-----------------|--|--|--|--|--|--|--|--|--|
|           |                                 |                          |             | R-1             |  |  |  |  |  |  |  |  |  |
| 1         | Rear Panel                      | GS                       | 2A1426-01   | 1               |  |  |  |  |  |  |  |  |  |
| 1a        | T2 Screw                        | 4x8                      | 7P31-0408   | 5               |  |  |  |  |  |  |  |  |  |
| 2         | Compressor                      | AKA9455ZXA               | 4A1820-01   | 1               |  |  |  |  |  |  |  |  |  |
| 2a        | Bolt                            | 8x45                     | 437889-01   | 4               |  |  |  |  |  |  |  |  |  |
| 2b        | Spacer                          | 027-0072-02              | 434404-01   | 4               |  |  |  |  |  |  |  |  |  |
| 2c        | Grommet                         | 527-0039-04              | 434403-01   | 4               |  |  |  |  |  |  |  |  |  |
| 3         | Motor Protector                 | 8300MRAK30               | 4A1875-01   | 1               |  |  |  |  |  |  |  |  |  |
| 4         | Condenser - Water-Cooled        | HS-0160                  | 2A2359G01   | 1               |  |  |  |  |  |  |  |  |  |
| 4a        | Hex Bolt Assembly (LF)          | 5x10, SS                 | 7B0130510   | 2               |  |  |  |  |  |  |  |  |  |
| 5         | Drier                           | C-03E 117                | 4A2666-01   | 1               |  |  |  |  |  |  |  |  |  |
| 6         | Nylon Tie                       | NYLON                    | 8911-0301   | 1               |  |  |  |  |  |  |  |  |  |
| 7         | Evaporator                      | -                        | 106492G01   | 1               |  |  |  |  |  |  |  |  |  |
| 7a        | T2 Screw                        | 4x16, SS                 | 7P32-0416   | 4               |  |  |  |  |  |  |  |  |  |
| 8         | Valve Body - Hot Gas            | 70                       | 4A3978-01   | 1               |  |  |  |  |  |  |  |  |  |
| 8a        | Bolt                            | -                        | 4A3277F01   | 1               |  |  |  |  |  |  |  |  |  |
| 9         | Coil - Valve                    | ABS-25-1-HD-2            | 4A3277-01   | 1               |  |  |  |  |  |  |  |  |  |
| 9a        | Truss Head Screw                | 4x8                      | 7C31-0408   | 2               |  |  |  |  |  |  |  |  |  |
| 10        | Pressure Switch                 | ACB-2UB04                | 433441-05   | 1               |  |  |  |  |  |  |  |  |  |
| 11        | Pressure Switch Bracket         | GS                       | 434938-01   | 1               |  |  |  |  |  |  |  |  |  |
| 11a       | T2 Screw                        | 4x8                      | 7P31-0408   | 1               |  |  |  |  |  |  |  |  |  |
| 12        | Male Connector                  | -                        | 4A1087-01   | 1               |  |  |  |  |  |  |  |  |  |
| 13        | Water Regulator                 | V46DA-5                  | 4A0911-06   | 1               |  |  |  |  |  |  |  |  |  |
| 13a       | Truss Head Screw                | 4x6                      | 7C31-0406   | 2               |  |  |  |  |  |  |  |  |  |
| 14        | Copper Tube (A) - High Side     | COPPER                   | 2A3851G01   | 1               |  |  |  |  |  |  |  |  |  |
| 15        | Copper Tube (B) - High Side     | COPPER                   | 3A2219-01   | 1               |  |  |  |  |  |  |  |  |  |
| 16        | Copper Tube (C) - High Side     | COPPER                   | 4A2682G01   | 1               |  |  |  |  |  |  |  |  |  |
| 17        | Copper Tube (D) - High Side     | COPPER                   | 3A4006G01   | 1               |  |  |  |  |  |  |  |  |  |
| 18        | Strainer                        | (Included in 3A4006G01)  | 441569-01   |                 |  |  |  |  |  |  |  |  |  |
| 19        | Copper Tube (E)-High Side       | COPPER                   | 3A3541-01   | 1               |  |  |  |  |  |  |  |  |  |
| 20        | Heat Exchanger                  | -                        | 2A3447G02   | 1               |  |  |  |  |  |  |  |  |  |
| 21        | Elbow                           | COPPER                   | 417395-03   | 1               |  |  |  |  |  |  |  |  |  |
| 22        | Copper Tube - Hot Gas           | COPPER                   | 2A3430G01   | 1               |  |  |  |  |  |  |  |  |  |
| 23        | Endcap                          |                          | 4A2666F01   | 2               |  |  |  |  |  |  |  |  |  |
| 24        | Access Valve                    | TCJ-2F20NH DU-1          | 457729-01   | 2               |  |  |  |  |  |  |  |  |  |
| 25        | Copper Tube (A) - Water Circuit | COPPER                   | 3A1251G01   | 1               |  |  |  |  |  |  |  |  |  |
| 26        | Copper Tube (B) - Water Circuit | COPPER                   | 4A2681G01   | 1               |  |  |  |  |  |  |  |  |  |
| 27        | Holder/Expansion Valve - 3/8    | -                        | 3A0107-01   | 1               |  |  |  |  |  |  |  |  |  |
| 28        | Clamp                           | SS                       | 443461-02   | 1               |  |  |  |  |  |  |  |  |  |
| 29        | Expansion Valve Cover           | PE FOAM                  | 3A0944-01   | 1               |  |  |  |  |  |  |  |  |  |
| 30        | Thermistor                      | -                        | 429006-03   | 1               |  |  |  |  |  |  |  |  |  |
| 31        | Holder - Thermistor             | -                        | 427430-01   | 1               |  |  |  |  |  |  |  |  |  |
| 32        | Insulation - Thermistor (A)     | PE FOAM                  | 439368-01   | 1               |  |  |  |  |  |  |  |  |  |
| 33        | Insulation - Thermistor (B)     | PE FOAM                  | 439368-02   | 1               |  |  |  |  |  |  |  |  |  |

| Title: <b>B. Refrigeration Circuit</b> Model: <b>KM-501MWH</b> |                            |                          |             |                 |  |  |  |  |  |  |  |  |
|--|----------------------------|--------------------------|-------------|-----------------|--|--|--|--|--|--|--|--|
| Index No.  | Description                | Material or Model Number | Part Number | Required Number |  |  |  |  |  |  |  |  |
|  |                            |                          |             | R-1             |  |  |  |  |  |  |  |  |
| 34   | Rubber Insulation (A)      | EPDM                     | 3A1044-01   | 1               |  |  |  |  |  |  |  |  |
| 35   | Rubber Insulation (B)      | EPDM                     | 3A1045-01   | 1               |  |  |  |  |  |  |  |  |
| 36   | Insulation Holder          | -                        | 4A1550-01   | 1               |  |  |  |  |  |  |  |  |
| 36a  | T2 Screw                   | 4x8, SS                  | 7P32-0408   | 2               |  |  |  |  |  |  |  |  |
| 37   | Insulation Tube            | L=40                     | 7762-1020   | 4               |  |  |  |  |  |  |  |  |
| 38   | Insulation Tube            | L=75                     | 7762-1020   | 1               |  |  |  |  |  |  |  |  |
| 39   | Insulation Tube            | L=220                    | 7762-2040   | 1               |  |  |  |  |  |  |  |  |
| 40   | Copper Tube – Access Valve | -                        | 3A3999G01   | 1               |  |  |  |  |  |  |  |  |
| 41   | Valve - Bracket            | -                        | 436893-01   | 1               |  |  |  |  |  |  |  |  |
| 41a  | T2 Screw                   | 4x8                      | 7P31-0408   | 2               |  |  |  |  |  |  |  |  |
| 42   | Valve Body - Hot Gas       | -                        | 4A3276-01   | 1               |  |  |  |  |  |  |  |  |
| 42a  | Bolt                       | -                        | 4A3277F01   | 1               |  |  |  |  |  |  |  |  |
| 43   | Coil - Valve               | -                        | 4A3277-01   | 1               |  |  |  |  |  |  |  |  |
| 43a  | Truss Head Screw           | 4x6                      | 7C32-0406   | 2               |  |  |  |  |  |  |  |  |
| 44   | Wire Saddle                | -                        | 4A0338-02   | 9               |  |  |  |  |  |  |  |  |
| 45   | Cable Tie                  | CV-200                   | 8911-0200   | 15              |  |  |  |  |  |  |  |  |
| 46   | Elbow                      | COPPER                   | 417395-03   | 1               |  |  |  |  |  |  |  |  |
| 47   | Expansion Valve            | HFE-10NHD-2              | 4A1414-01   | 1               |  |  |  |  |  |  |  |  |

**B. Refrigeration Circuit**  
**(1/2)**  
**KM-501MRH**  
R-1



**B. Refrigeration Circuit**  
**(2/2)**  
**KM-501MRH**  
R-1



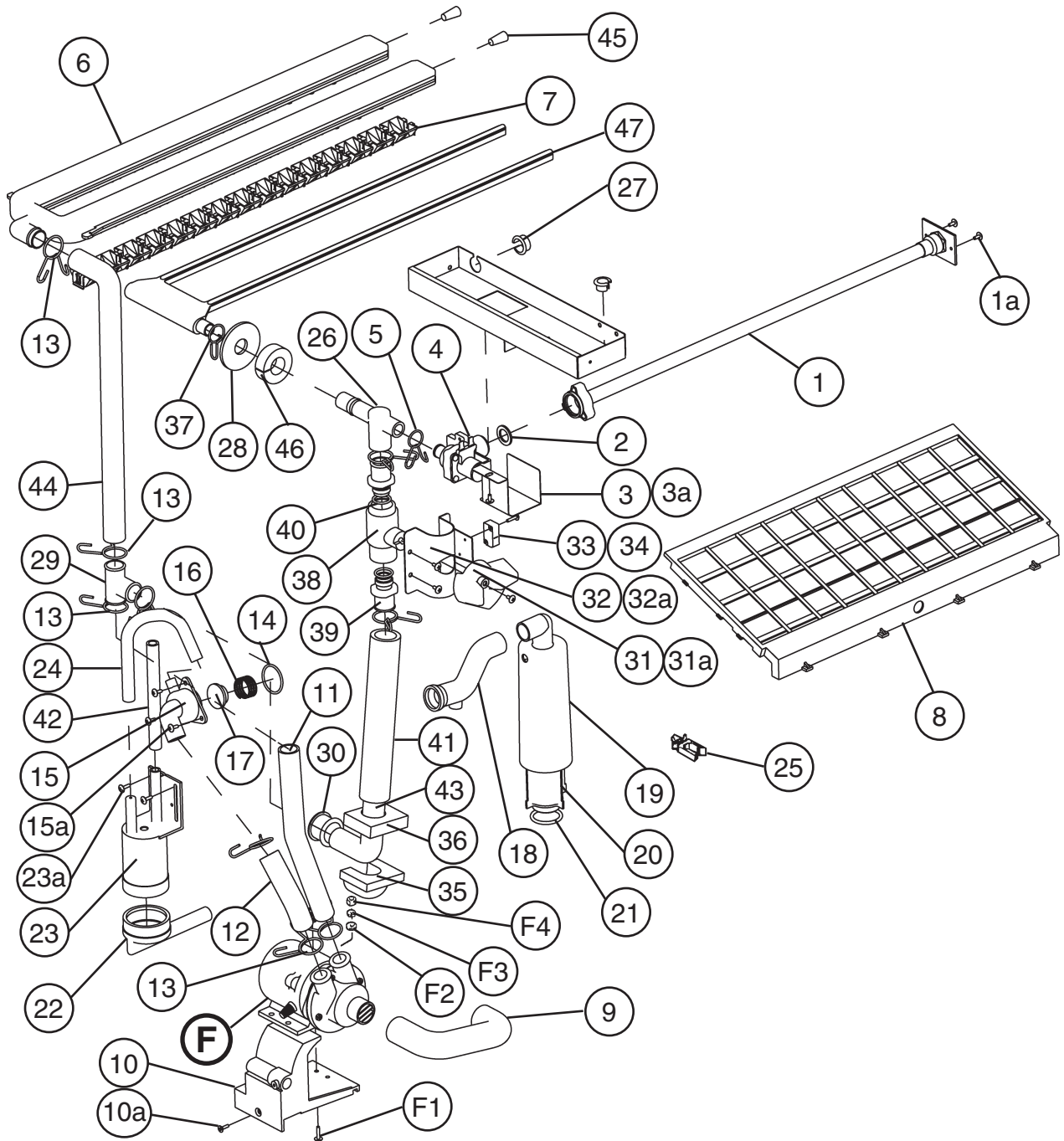
Title: **B. Refrigeration Circuit** Model: **KM-501MRH**

| Index No. | Description                 | Material or Model Number   | Part Number | Required Number |  |  |  |  |  |  |  |
|-----------|-----------------------------|----------------------------|-------------|-----------------|--|--|--|--|--|--|--|
|           |                             |                            |             | R-1             |  |  |  |  |  |  |  |
| 1         | Rear Panel                  | GS                         | 220468G03   | 1               |  |  |  |  |  |  |  |
| 1a        | T2 Screw                    | 4x8                        | 7P31-0408   | 5               |  |  |  |  |  |  |  |
| 2         | Compressor                  | AKA9455ZXA                 | 4A1820-01   | 1               |  |  |  |  |  |  |  |
| 2a        | Bolt                        | 8x45                       | 437889-01   | 4               |  |  |  |  |  |  |  |
| 2b        | Spacer                      | 027-0072-02                | 434404-01   | 4               |  |  |  |  |  |  |  |
| 2c        | Grommet                     | 527-0039-04                | 434403-01   | 4               |  |  |  |  |  |  |  |
| 3         | Motor Protector             | 8300MRAK30                 | 4A1875-01   | 1               |  |  |  |  |  |  |  |
| 4         | Coupling                    | -                          | 4A3972G01   | 1               |  |  |  |  |  |  |  |
| 5         | Tube Holder-S               | -                          | 438246-01   | 1               |  |  |  |  |  |  |  |
| 5a        | T2 Screw                    | 4x8                        | 7P31-0408   | 2               |  |  |  |  |  |  |  |
| 6         | Coupling                    | -                          | 434136G01   | 1               |  |  |  |  |  |  |  |
| 7         | Tube Holder-L               | -                          | 438245-01   | 1               |  |  |  |  |  |  |  |
| 7a        | T2 Screw                    | 4x8                        | 7P31-0408   | 2               |  |  |  |  |  |  |  |
| 8         | Receiver Tank               | RR KN WP450                | 437596-01   | 1               |  |  |  |  |  |  |  |
| 8a        | Hex Bolt Assembly (LF)      | 5x10, SS                   | 7B0130510   | 3               |  |  |  |  |  |  |  |
| 9         | Drier                       | -                          | 4A2666-01   | 1               |  |  |  |  |  |  |  |
| 10        | Nylon Tie                   | -                          | 8911-0301   | 1               |  |  |  |  |  |  |  |
| 11        | Expansion Valve             | HFE-10NHD-2                | 4A1414-01   | 1               |  |  |  |  |  |  |  |
| 12        | Evaporator                  | -                          | 106492G01   | 1               |  |  |  |  |  |  |  |
| 12a       | T2 Screw                    | 4x16, SS                   | 7P32-0416   | 4               |  |  |  |  |  |  |  |
| 13        | Pressure Switch             | ACB-1UB09                  | 433441-07   | 1               |  |  |  |  |  |  |  |
| 14        | Pressure Switch Bracket     | GS                         | 434938-01   | 1               |  |  |  |  |  |  |  |
| 14a       | T2 Screw                    | 4x8                        | 7P31-0408   | 1               |  |  |  |  |  |  |  |
| 15        | Copper Tube Access Valve    | COPPER                     | 3A3999G01   | 1               |  |  |  |  |  |  |  |
| 16        | Access Valve                | -                          | 457729-01   | 1               |  |  |  |  |  |  |  |
| 17        | Endcap                      | -                          | 4A2666F01   | 2               |  |  |  |  |  |  |  |
| 18        | Valve Bracket               | -                          | 436893-01   | 1               |  |  |  |  |  |  |  |
| 18a       | T2 Screw                    | 4x8                        | 7P31-0408   | 2               |  |  |  |  |  |  |  |
| 19        | Valve Body - Hot Gas        | 70                         | 4A3978-01   | 1               |  |  |  |  |  |  |  |
| 19a       | Bolt                        | 4x6                        | 4A3277F01   | 1               |  |  |  |  |  |  |  |
| 20        | Coil - Valve                | ABS-25-1-<br>HD-2          | 4A3277-01   | 1               |  |  |  |  |  |  |  |
| 20a       | Truss Head Screw            | 4x8                        | 7C31-0408   | 2               |  |  |  |  |  |  |  |
| 21        | Valve Body - Liquid Line    | -                          | 4A3276-01   | 1               |  |  |  |  |  |  |  |
| 21a       | Bolt                        | 4x6                        | 4A3277F01   | 1               |  |  |  |  |  |  |  |
| 22        | Coil - Valve                | ABS-25-1-<br>HD-2          | 4A3277-01   | 1               |  |  |  |  |  |  |  |
| 22a       | Truss Head Screw            | 4x8                        | 7C31-0408   | 2               |  |  |  |  |  |  |  |
| 23        | Copper Tube (A) - High Side | COPPER                     | 2A3909G01   | 1               |  |  |  |  |  |  |  |
| 24        | Copper Tube (B) - High Side | COPPER                     | 3A4095G01   | 1               |  |  |  |  |  |  |  |
| 25        | Copper Tube (D) - High Side | COPPER                     | 3A4006G01   | 1               |  |  |  |  |  |  |  |
| 26        | Strainer                    | (Included in<br>3A4006G01) | 441569-01   | 1               |  |  |  |  |  |  |  |
| 27        | Copper Tube (E) - High Side | COPPER                     | 332445-01   | 1               |  |  |  |  |  |  |  |
| 28        | Copper Tube (F) - High Side | COPPER                     | 4A2768-01   | 1               |  |  |  |  |  |  |  |

Title: **B. Refrigeration Circuit** Model: **KM-501MRH**

| Index No. | Description                 | Material or Model Number | Part Number | Required Number |  |  |  |  |  |  |  |  |  |
|-----------|-----------------------------|--------------------------|-------------|-----------------|--|--|--|--|--|--|--|--|--|
|           |                             |                          |             | R-1             |  |  |  |  |  |  |  |  |  |
| 29        | Copper Tube (G) - High Side | COPPER                   | 3A4097G01   | 1               |  |  |  |  |  |  |  |  |  |
| 30        | Copper Tube - Hot Gas       | COPPER                   | 2A3435G01   | 1               |  |  |  |  |  |  |  |  |  |
| 31        | Elbow                       | COPPER                   | 417395-03   | 1               |  |  |  |  |  |  |  |  |  |
| 32        | Holder / Exp. Valve – 3/8   | SS                       | 3A0107-01   | 1               |  |  |  |  |  |  |  |  |  |
| 33        | Heat Exchanger              | -                        | 2A3447G03   | 1               |  |  |  |  |  |  |  |  |  |
| 34        | Expansion Valve Cover       | PE FOAM                  | 3A0944-01   | 1               |  |  |  |  |  |  |  |  |  |
| 35        | Thermistor                  | -                        | 429006-03   | 1               |  |  |  |  |  |  |  |  |  |
| 36        | Holder - Thermistor         | COPPER                   | 427430-01   | 1               |  |  |  |  |  |  |  |  |  |
| 37        | Cable Tie                   | -                        | 8911-0200   | 11              |  |  |  |  |  |  |  |  |  |
| 38        | Insulation - Thermistor (A) | PE FOAM                  | 439368-01   | 1               |  |  |  |  |  |  |  |  |  |
| 39        | Insulation - Thermistor (B) | PE FOAM                  | 439368-02   | 1               |  |  |  |  |  |  |  |  |  |
| 40        | Rubber Insulation (A)       | EPDM                     | 3A1044-01   | 1               |  |  |  |  |  |  |  |  |  |
| 41        | Rubber Insulation (B)       | EPDM                     | 3A1045-01   | 1               |  |  |  |  |  |  |  |  |  |
| 42        | Insulation Holder           | -                        | 4A1550-01   | 1               |  |  |  |  |  |  |  |  |  |
| 42a       | T2 Screw                    | 4x8, SS                  | 7P32-0408   | 2               |  |  |  |  |  |  |  |  |  |
| 43        | Insulation Tube             | L=40                     | 7762-1020   | 1               |  |  |  |  |  |  |  |  |  |
| 44        | Insulation Tube             | L=75                     | 7762-1020   | 1               |  |  |  |  |  |  |  |  |  |
| 45        | Insulation Tube             | L=220                    | 7762-2040   | 1               |  |  |  |  |  |  |  |  |  |
| 46        | Wire Saddle                 | VWS4238-C                | 4A0338-02   | 10              |  |  |  |  |  |  |  |  |  |
| 47        | Crankcase Heater            | -                        | 4A1869-01   | 1               |  |  |  |  |  |  |  |  |  |
| 47a       | T2 Screw                    | 4x8                      | 7P31-0408   | 1               |  |  |  |  |  |  |  |  |  |
| 48        | Silicone Hose               | -                        | 7730-0912   | 1               |  |  |  |  |  |  |  |  |  |
| 49        | Clamp                       | SS                       | 443461-02   | 1               |  |  |  |  |  |  |  |  |  |

**C. Water Circuit**  
**KM-501MAH, KM-501MWH, KM-501MRH**  
 R-1



Title: **C. Water Circuit** Model: **KM-501MAH, KM-501MWH, KM-501MRH**

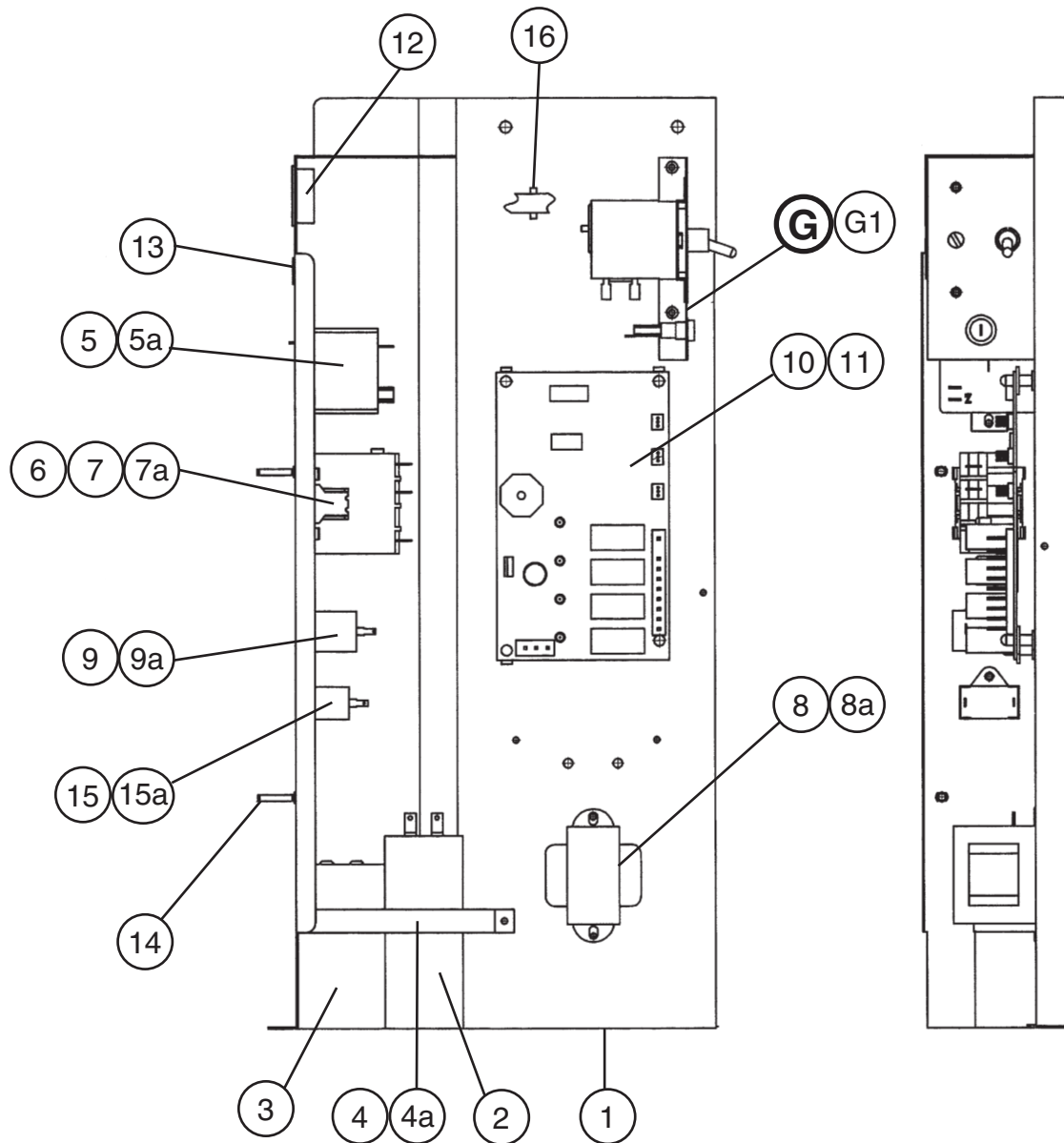
| Index No. | Description              | Material or Model Number | Part Number | Required Number |  |  |  |  |  |  |  |  |  |
|-----------|--------------------------|--------------------------|-------------|-----------------|--|--|--|--|--|--|--|--|--|
|           |                          |                          |             | R-1             |  |  |  |  |  |  |  |  |  |
| F         | Pump Motor Assembly      | HS-0176                  | 3A2638A03   | 1               |  |  |  |  |  |  |  |  |  |
| F1        | Truss Head Screw         | 4x16, SS                 | 7C32-0416   | 1               |  |  |  |  |  |  |  |  |  |
| F2        | Flat Washer              | M4, SS                   | 7W22-0400   | 1               |  |  |  |  |  |  |  |  |  |
| F3        | Split Lock Washer        | M4, SS                   | 7L22-0400   | 1               |  |  |  |  |  |  |  |  |  |
| F4        | Hex Nut                  | M4, SS                   | 7N12-0400   | 1               |  |  |  |  |  |  |  |  |  |
|           |                          |                          |             |                 |  |  |  |  |  |  |  |  |  |
| 1         | Water Supply Pipe        | COPPER                   | 4A0768G04   | 1               |  |  |  |  |  |  |  |  |  |
| 1a        | T2 Screw                 | 4x8                      | 7P31-0408   | 2               |  |  |  |  |  |  |  |  |  |
| 2         | Rubber Gasket            | NR                       | 413854-03   | 1               |  |  |  |  |  |  |  |  |  |
| 3         | Water Valve Bracket      | GS                       | 321443-01   | 1               |  |  |  |  |  |  |  |  |  |
| 3a        | T2 Screw                 | 4x8                      | 7P31-0408   | 1               |  |  |  |  |  |  |  |  |  |
| 4         | Water Valve              | J248-072                 | 3U0111-04   | 1               |  |  |  |  |  |  |  |  |  |
| 5         | Hose Clamp               | SS, 18MM                 | 427443-05   | 1               |  |  |  |  |  |  |  |  |  |
| 6         | Spray Tube               | PE                       | 1A0260-02   | 1               |  |  |  |  |  |  |  |  |  |
| 7         | Spray Guide (A)          | PE                       | 208586-01   | 6               |  |  |  |  |  |  |  |  |  |
| 8         | Cube Guide               | ABS                      | 212088-01   | 1               |  |  |  |  |  |  |  |  |  |
| 9         | Suction Hose             | EPDM                     | 433466-01   | 1               |  |  |  |  |  |  |  |  |  |
| 10        | Pump Motor Bracket       | PC                       | 211408-01   | 1               |  |  |  |  |  |  |  |  |  |
| 10a       | Flat Head Screw          | 4x12, SS                 | 7F32-0412   | 1               |  |  |  |  |  |  |  |  |  |
| 11        | Vinyl Hose               | L=250+10/-0              | 7716-2025   | 1               |  |  |  |  |  |  |  |  |  |
| 12        | Vinyl Hose               | L=110                    | 7716-2025   | 1               |  |  |  |  |  |  |  |  |  |
| 13        | Hose Clamp               | SS, 25MM                 | 427443-03   | 9               |  |  |  |  |  |  |  |  |  |
| 14        | "O" Ring                 | 1AG35                    | 7611-G035   | 1               |  |  |  |  |  |  |  |  |  |
| 15        | Valve Housing - Drain    | ABS                      | 321001-01   | 1               |  |  |  |  |  |  |  |  |  |
| 15a       | T2 Screw                 | 4x10, SS                 | 7P32-0410   | 3               |  |  |  |  |  |  |  |  |  |
| 16        | Spring                   | SS                       | 322110-01   | 1               |  |  |  |  |  |  |  |  |  |
| 17        | Valve Seat               | EPDM                     | 433705-01   | 1               |  |  |  |  |  |  |  |  |  |
| 18        | Drain Hose               | SANTO-<br>PRENE          | 433468-01   | 1               |  |  |  |  |  |  |  |  |  |
| 19        | Overflow Cap             | PE                       | 321002-01   | 1               |  |  |  |  |  |  |  |  |  |
| 20        | Overflow Pipe            | ABS                      | 430722-03   | 1               |  |  |  |  |  |  |  |  |  |
| 21        | "O" Ring                 | EPDM                     | 4A1234-01   | 1               |  |  |  |  |  |  |  |  |  |
| 22        | Connector – Float Switch | EPDM                     | 426799-01   | 1               |  |  |  |  |  |  |  |  |  |
| 23        | Float Switch             | 163795                   | 4A3624-01   | 1               |  |  |  |  |  |  |  |  |  |
| 23a       | T2 Screw                 | 4x12, SS                 | 7P32-0412   | 2               |  |  |  |  |  |  |  |  |  |
| 24        | Silicone Hose            | L=140                    | 773013896   | 1               |  |  |  |  |  |  |  |  |  |
| 25        | Wire Saddle              | VWS4238-C                | 4A0338-02   | 4               |  |  |  |  |  |  |  |  |  |
| 26        | Tee                      | SANTO-<br>PRENE          | 4A0177-01   | 1               |  |  |  |  |  |  |  |  |  |
| 27        | Bushing                  | OCB-750                  | 428394-01   | 1               |  |  |  |  |  |  |  |  |  |
| 28        | Flange                   | EPDM                     | 439267-01   | 1               |  |  |  |  |  |  |  |  |  |
| 29        | Distributor              | EPDM                     | 432426-01   | 1               |  |  |  |  |  |  |  |  |  |
| 30        | Rubber Ring              | EPDM                     | 439236-01   | 1               |  |  |  |  |  |  |  |  |  |



Title: **C. Water Circuit** Model: **KM-501MAH, KM-501MWH, KM-501MRH**

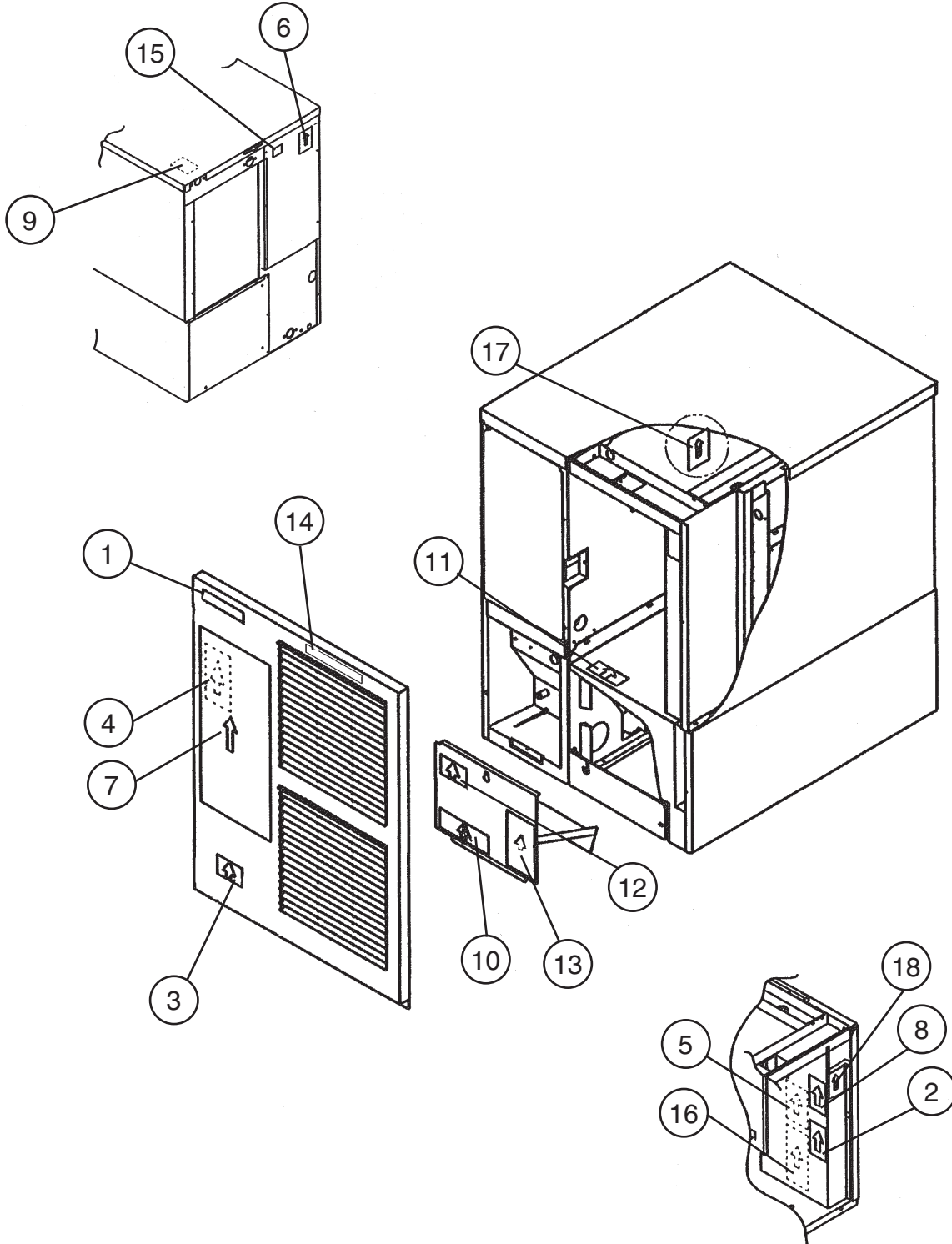
| Index No. | Description                       | Material or Model Number | Part Number | Required Number |  |  |  |  |  |  |  |  |  |  |  |  |  |  |  |  |
|-----------|-----------------------------------|--------------------------|-------------|-----------------|--|--|--|--|--|--|--|--|--|--|--|--|--|--|--|--|
|           |                                   |                          |             | R-1             |  |  |  |  |  |  |  |  |  |  |  |  |  |  |  |  |
| 31        | Handle                            | JH1352                   | 215383-01   | 1               |  |  |  |  |  |  |  |  |  |  |  |  |  |  |  |  |
| 31a       | T2 Screw                          | 4x8                      | 7P31-0408   | 1               |  |  |  |  |  |  |  |  |  |  |  |  |  |  |  |  |
| 32        | Valve Holder                      | GS                       | 3A1178-01   | 1               |  |  |  |  |  |  |  |  |  |  |  |  |  |  |  |  |
| 32a       | FT Screw                          | 4x8                      | 7F31-0408   | 3               |  |  |  |  |  |  |  |  |  |  |  |  |  |  |  |  |
| 33        | Microswitch                       | V3L-111-D8               | 4A2546-01   | 1               |  |  |  |  |  |  |  |  |  |  |  |  |  |  |  |  |
| 34        | Tapping Screw                     | 3x14                     | 431415-02   | 2               |  |  |  |  |  |  |  |  |  |  |  |  |  |  |  |  |
| 35        | Corner Insulation (A)             | PE FOAM                  | 439376-01   | 1               |  |  |  |  |  |  |  |  |  |  |  |  |  |  |  |  |
| 36        | Corner Insulation (B)             | PE FOAM                  | 439392-01   | 1               |  |  |  |  |  |  |  |  |  |  |  |  |  |  |  |  |
| 37        | Hose Clamp                        | SS, 20 MM                | 427443-06   | 1               |  |  |  |  |  |  |  |  |  |  |  |  |  |  |  |  |
| 38        | Ball Valve                        | (S-0761), PVC            | 439293-01   | 1               |  |  |  |  |  |  |  |  |  |  |  |  |  |  |  |  |
| 39        | Male Adaptor (Included in S-0761) | ABS                      | 325826-01   | 2               |  |  |  |  |  |  |  |  |  |  |  |  |  |  |  |  |
| 40        | "O" Ring (Included in S-0761)     | 1AP18                    | 7611-P018   | 2               |  |  |  |  |  |  |  |  |  |  |  |  |  |  |  |  |
| 41        | Insulation Tube                   | L=190                    | 7762-2636   | 1               |  |  |  |  |  |  |  |  |  |  |  |  |  |  |  |  |
| 42        | Silicone Hose                     | L=140                    | 773013812   | 1               |  |  |  |  |  |  |  |  |  |  |  |  |  |  |  |  |
| 43        | Rubber Hose (D)                   | EPDM                     | 4A1551-04   | 1               |  |  |  |  |  |  |  |  |  |  |  |  |  |  |  |  |
| 44        | Rubber Hose (C)                   | SANTO-PRENE              | 4A1551-03   | 1               |  |  |  |  |  |  |  |  |  |  |  |  |  |  |  |  |
| 45        | Plug                              | EPDM                     | 4A0176-01   | 2               |  |  |  |  |  |  |  |  |  |  |  |  |  |  |  |  |
| 46        | Insulation (E)                    | PE FOAM                  | 4A0392-01   | 1               |  |  |  |  |  |  |  |  |  |  |  |  |  |  |  |  |
| 47        | Water Supply Tube                 | PE                       | 2A0079-01   | 1               |  |  |  |  |  |  |  |  |  |  |  |  |  |  |  |  |

**D. Control Box Assembly**  
**KM-501MAH, KM-501MWH, KM-501MRH**  
R-1



| Title: <b>D. Control Box Assembly</b> Model: <b>KM-501MAH, KM-501MWH, KM-501MRH</b> |                            |                          |             |                 |  |  |  |  |  |  |  |  |
|---|----------------------------|--------------------------|-------------|-----------------|--|--|--|--|--|--|--|--|
| Index No.   | Description                | Material or Model Number | Part Number | Required Number |  |  |  |  |  |  |  |  |
|   |                            |                          |             | R-1             |  |  |  |  |  |  |  |  |
| G   | Control Assembly           | -                        | 4A2911A01   | 1               |  |  |  |  |  |  |  |  |
| G1  | T2 Screw                   | 4x8                      | 7P31-0408   | 2               |  |  |  |  |  |  |  |  |
| 1   | Control Box                | -                        | 2A1851-01   | 1               |  |  |  |  |  |  |  |  |
| 2   | Capacitor – Run            | 25MFD, 370 VAC           | 3A2005-06   | 1               |  |  |  |  |  |  |  |  |
| 3   | Capacitor – Starting       | 72-86 MFD, 250 VAC,      | 3A0076-15   | 1               |  |  |  |  |  |  |  |  |
| 4   | Strap                      | GS                       | 4A2262-02   | 1               |  |  |  |  |  |  |  |  |
| 4a  | T2 Screw                   | 4x8                      | 7P31-0408   | 1               |  |  |  |  |  |  |  |  |
| 5   | Starter                    | GE3ARR3CT3TP5            | 4A1107-04   | 1               |  |  |  |  |  |  |  |  |
| 5a  | T2 Screw                   | 4x8                      | 7P31-0408   | 1               |  |  |  |  |  |  |  |  |
| 6   | Magnetic Contactor         | VC-20                    | 428393-01   | 1               |  |  |  |  |  |  |  |  |
| 7   | Bracket                    |                          | 428393F01   | 1               |  |  |  |  |  |  |  |  |
| 7a  | T2 Screw                   | 4x8                      | 7P31-0408   | 2               |  |  |  |  |  |  |  |  |
| 8   | Transformer                | 26D285H                  | 3A0172-01   | 1               |  |  |  |  |  |  |  |  |
| 8a  | T2 Screw                   | 4x8                      | 7P31-0408   | 2               |  |  |  |  |  |  |  |  |
| 9   | Capacitor - Pump Motor     | 250 VAC, 5.5 MFD         | 443192-03   | 1               |  |  |  |  |  |  |  |  |
| 9a  | T2 Screw                   | 4x10                     | 7P31-0410   | 1               |  |  |  |  |  |  |  |  |
| 10  | Controller Board           | HOS-001A                 | 2A1410-01   | 1               |  |  |  |  |  |  |  |  |
| 11  | Board Support              | CBLS37-M                 | 4A0336-03   | 4               |  |  |  |  |  |  |  |  |
| 12  | Bushing                    | SB-1093-15               | 420470-03   | 1               |  |  |  |  |  |  |  |  |
| 13  | Bushing                    | OCB-500                  | 428394-02   | 1               |  |  |  |  |  |  |  |  |
| 14  | Clamp                      | -                        | 4A2338-01   | 2               |  |  |  |  |  |  |  |  |
| 15  | Capacitor (KM-501MAH Only) | 250 VAC, 5.5 MFD         | 443192-02   | 1               |  |  |  |  |  |  |  |  |
| 15a   | T2 Screw (KM-501MAH Only)  | 4x10                     | 7P31-0410   | 1               |  |  |  |  |  |  |  |  |
| 16  | Fuse (Spare)               | -                        | 4A0893-07   | 1               |  |  |  |  |  |  |  |  |

**E. Label Location**  
**KM-501MAH**  
R-1

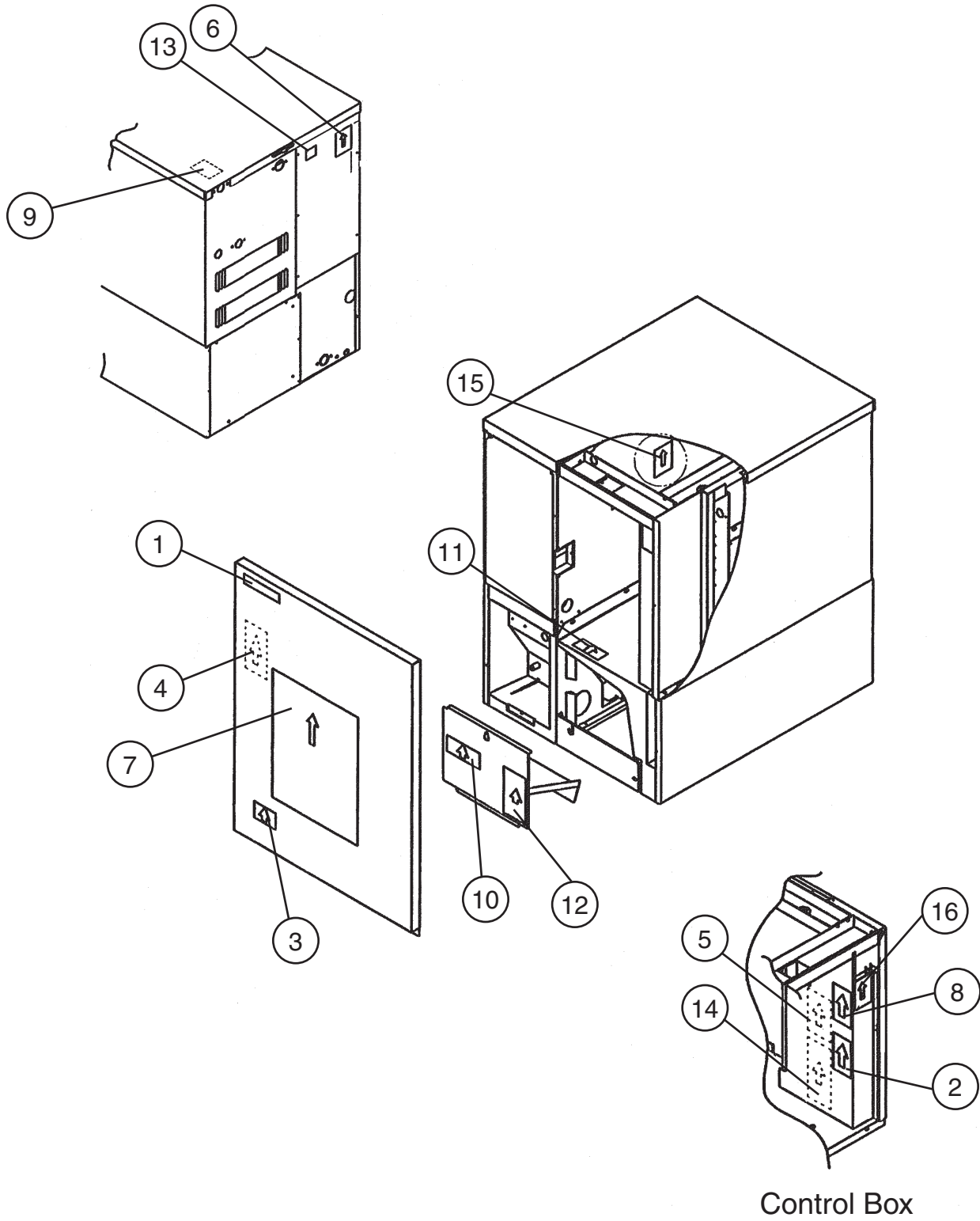


Control Box

Title: **E. Label Location** Model: **KM-501MAH**

| Index No. | Description                          | Material or Model Number | Part Number | Required Number |  |  |  |  |  |  |  |  |  |  |  |  |  |  |  |  |
|-----------|--------------------------------------|--------------------------|-------------|-----------------|--|--|--|--|--|--|--|--|--|--|--|--|--|--|--|--|
|           |                                      |                          |             | R-1             |  |  |  |  |  |  |  |  |  |  |  |  |  |  |  |  |
| 1         | Emblem                               | PETP FILM                | 4A0560-01   | 1               |  |  |  |  |  |  |  |  |  |  |  |  |  |  |  |  |
| 2         | Label - Alarm                        | -                        | 4A3517-01   | 1               |  |  |  |  |  |  |  |  |  |  |  |  |  |  |  |  |
| 3         | Label – Penguin – HA (R)             | PETP FILM                | 4A0526-01   | 1               |  |  |  |  |  |  |  |  |  |  |  |  |  |  |  |  |
| 4         | Maintenance Label                    | PVC FILM                 | 326218-01   | 1               |  |  |  |  |  |  |  |  |  |  |  |  |  |  |  |  |
| 5         | Wiring Label                         | PVC FILM                 | 3A2415-01   | 1               |  |  |  |  |  |  |  |  |  |  |  |  |  |  |  |  |
| 6         | Nameplate                            | PES FILM                 | 2A3847-01   | 1               |  |  |  |  |  |  |  |  |  |  |  |  |  |  |  |  |
| 7         | Instruction Sheet                    | PAPER                    | 2A3807-01   | 1               |  |  |  |  |  |  |  |  |  |  |  |  |  |  |  |  |
| 8         | Manual Label                         | PVC FILM                 | 446564-01   | 1               |  |  |  |  |  |  |  |  |  |  |  |  |  |  |  |  |
| 9         | Tag – Warning: Electrical Connection | PAPER                    | 435005-01   | 1               |  |  |  |  |  |  |  |  |  |  |  |  |  |  |  |  |
| 10        | Operation Label – Valve              | PVC FILM                 | 439541-01   | 1               |  |  |  |  |  |  |  |  |  |  |  |  |  |  |  |  |
| 11        | Label – R404A                        | PES FILM                 | 4A0960-01   | 1               |  |  |  |  |  |  |  |  |  |  |  |  |  |  |  |  |
| 12        | Caution Label (F)                    | PVC FILM                 | 439146-01   | 1               |  |  |  |  |  |  |  |  |  |  |  |  |  |  |  |  |
| 13        | Caution Label (H)                    | PVC FILM                 | 439148-01   | 1               |  |  |  |  |  |  |  |  |  |  |  |  |  |  |  |  |
| 14        | Label – Air Filter                   | PETP FILM                | 426177-01   | 1               |  |  |  |  |  |  |  |  |  |  |  |  |  |  |  |  |
| 15        | Instruction Label                    | PVC FILM                 | 444575-01   | 1               |  |  |  |  |  |  |  |  |  |  |  |  |  |  |  |  |
| 16        | Label – Control Board                | PVC FILM                 | 3A2220-01   | 1               |  |  |  |  |  |  |  |  |  |  |  |  |  |  |  |  |
| 17        | Rating Label                         | -                        | 2A3848-01   | 1               |  |  |  |  |  |  |  |  |  |  |  |  |  |  |  |  |
| 18        | Label – Fuse                         | -                        | 4A2817-01   | 1               |  |  |  |  |  |  |  |  |  |  |  |  |  |  |  |  |

**E. Label Location**  
**KM-501MWH**  
R-1

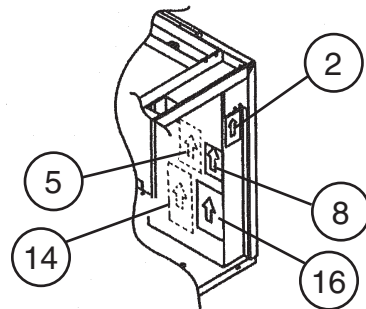
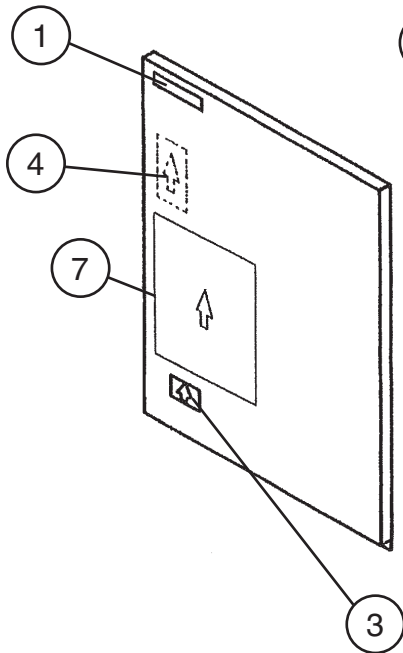
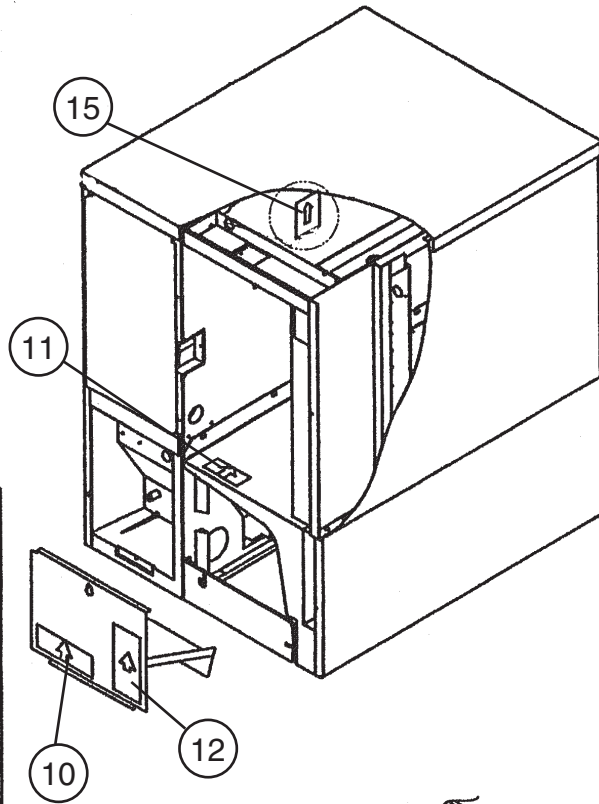
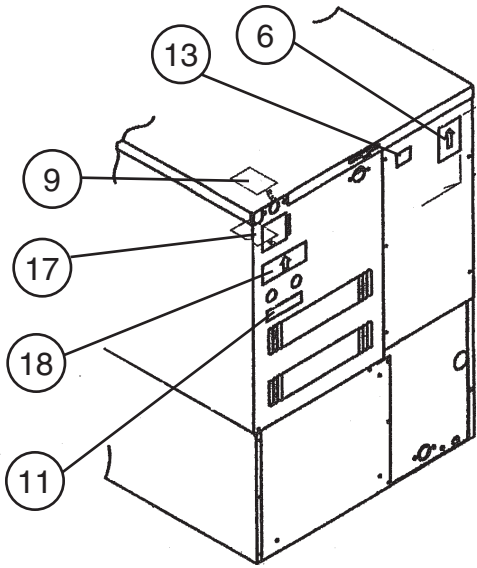


Control Box

Title: **E. Label Location** Model: **KM-501MWH**

| Index No. | Description                          | Material or Model Number | Part Number | Required Number |  |  |  |  |  |  |  |  |  |  |  |
|-----------|--------------------------------------|--------------------------|-------------|-----------------|--|--|--|--|--|--|--|--|--|--|--|
|           |                                      |                          |             | R-1             |  |  |  |  |  |  |  |  |  |  |  |
| 1         | Emblem                               | PETP FILM                | 4A0560-01   | 1               |  |  |  |  |  |  |  |  |  |  |  |
| 2         | Label - Alarm                        | PETP FILM                | 4A3517-01   | 1               |  |  |  |  |  |  |  |  |  |  |  |
| 3         | Label – Penguin – HA (R)             | PETP FILM                | 4A0526-01   | 1               |  |  |  |  |  |  |  |  |  |  |  |
| 4         | Maintenance Label                    | PVC FILM                 | 326218-01   | 1               |  |  |  |  |  |  |  |  |  |  |  |
| 5         | Wiring Label                         | PVC FILM                 | 3A2415-01   | 1               |  |  |  |  |  |  |  |  |  |  |  |
| 6         | Nameplate                            | PES FILM                 | 2A3847-02   | 1               |  |  |  |  |  |  |  |  |  |  |  |
| 7         | Instruction Sheet                    | PAPER                    | 2A3807-01   | 1               |  |  |  |  |  |  |  |  |  |  |  |
| 8         | Manual Label                         | PVC FILM                 | 446564-01   | 1               |  |  |  |  |  |  |  |  |  |  |  |
| 9         | Tag – Warning: Electrical Connection | PAPER                    | 435005-01   | 1               |  |  |  |  |  |  |  |  |  |  |  |
| 10        | Operation Label – Valve              | PVC FILM                 | 439541-01   | 1               |  |  |  |  |  |  |  |  |  |  |  |
| 11        | Label – R404A                        | PES FILM                 | 4A0960-01   | 1               |  |  |  |  |  |  |  |  |  |  |  |
| 12        | Caution Label (H)                    | PVC FILM                 | 439148-01   | 1               |  |  |  |  |  |  |  |  |  |  |  |
| 13        | Instruction Label                    | PVC FILM                 | 444575-01   | 1               |  |  |  |  |  |  |  |  |  |  |  |
| 14        | Label – Control Board                | PVC FILM                 | 3A2220-01   | 1               |  |  |  |  |  |  |  |  |  |  |  |
| 15        | Rating Label                         |                          | 2A3848-02   | 1               |  |  |  |  |  |  |  |  |  |  |  |
| 16        | Label – Fuse                         | -                        | 4A2817-01   | 1               |  |  |  |  |  |  |  |  |  |  |  |

**E. Label Location**  
**KM-501MRH**  
 R-1



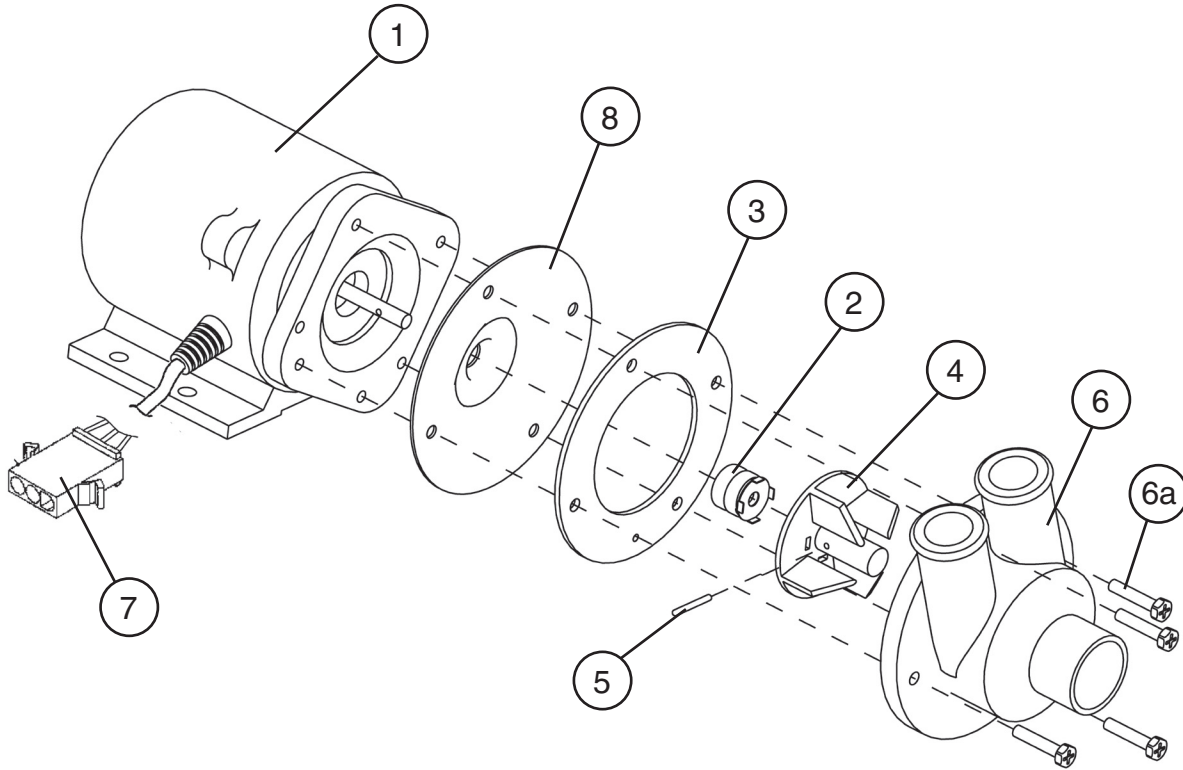
Control Box



Title: **E. Label Location** Model: **KM-501MRH**

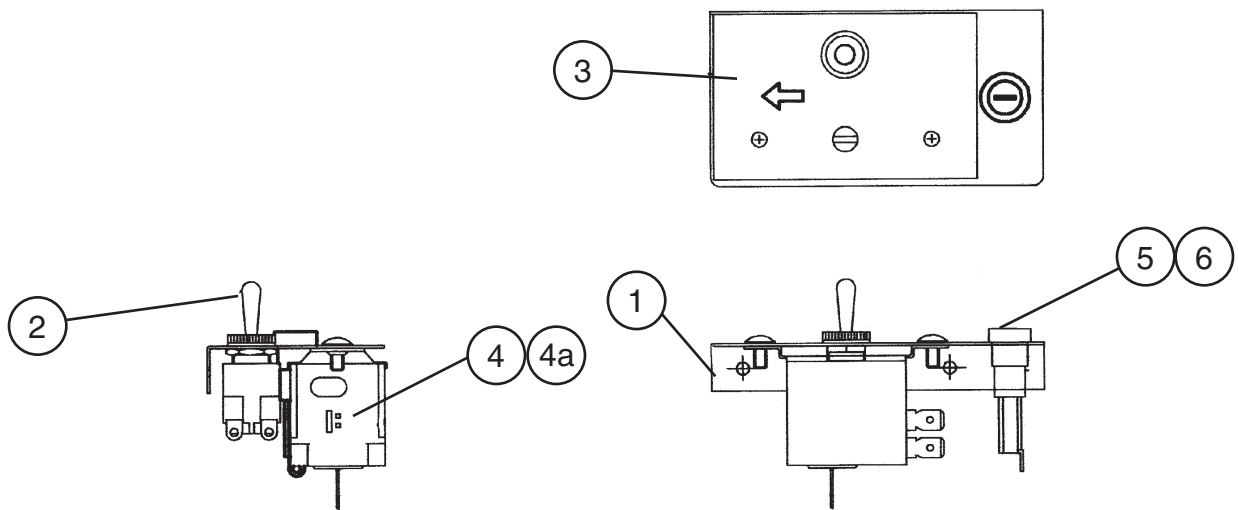
| Index No. | Description                          | Material or Model Number | Part Number | Required Number |  |  |  |  |  |  |  |  |  |  |  |  |  |  |  |  |
|-----------|--------------------------------------|--------------------------|-------------|-----------------|--|--|--|--|--|--|--|--|--|--|--|--|--|--|--|--|
|           |                                      |                          |             | R-1             |  |  |  |  |  |  |  |  |  |  |  |  |  |  |  |  |
| 1         | Emblem                               | PETP FILM                | 4A0560-01   | 1               |  |  |  |  |  |  |  |  |  |  |  |  |  |  |  |  |
| 2         | Label - Fuse                         | PETP FILM                | 4A2817-01   | 1               |  |  |  |  |  |  |  |  |  |  |  |  |  |  |  |  |
| 3         | Label – Penguin – HA (R)             | PETP FILM                | 4A0526-01   | 1               |  |  |  |  |  |  |  |  |  |  |  |  |  |  |  |  |
| 4         | Maintenance Label                    | PVC FILM                 | 326218-01   | 1               |  |  |  |  |  |  |  |  |  |  |  |  |  |  |  |  |
| 5         | Wiring Label                         | PVC FILM                 | 3A2416-01   | 1               |  |  |  |  |  |  |  |  |  |  |  |  |  |  |  |  |
| 6         | Nameplate                            | PES FILM                 | 2A3847-03   | 1               |  |  |  |  |  |  |  |  |  |  |  |  |  |  |  |  |
| 7         | Instruction Sheet                    | PAPER                    | 2A3807-01   | 1               |  |  |  |  |  |  |  |  |  |  |  |  |  |  |  |  |
| 8         | Manual Label                         | PVC FILM                 | 446564-01   | 1               |  |  |  |  |  |  |  |  |  |  |  |  |  |  |  |  |
| 9         | Tag – Warning: Electrical Connection | PAPER                    | 435005-01   | 1               |  |  |  |  |  |  |  |  |  |  |  |  |  |  |  |  |
| 10        | Operation Label – Valve              | PVC FILM                 | 439541-01   | 1               |  |  |  |  |  |  |  |  |  |  |  |  |  |  |  |  |
| 11        | Label – R404A                        | PES FILM                 | 4A0960-01   | 2               |  |  |  |  |  |  |  |  |  |  |  |  |  |  |  |  |
| 12        | Caution Label (H)                    | PVC FILM                 | 439148-01   | 1               |  |  |  |  |  |  |  |  |  |  |  |  |  |  |  |  |
| 13        | Instruction Label                    | PVC FILM                 | 444575-01   | 1               |  |  |  |  |  |  |  |  |  |  |  |  |  |  |  |  |
| 14        | Label – Control Board                | PVC FILM                 | 3A2220-01   | 1               |  |  |  |  |  |  |  |  |  |  |  |  |  |  |  |  |
| 15        | Rating Label                         | PES FILM                 | 2A3848-03   | 1               |  |  |  |  |  |  |  |  |  |  |  |  |  |  |  |  |
| 16        | Label – Alarm                        | -                        | 4A3517-01   | 1               |  |  |  |  |  |  |  |  |  |  |  |  |  |  |  |  |
| 17        | Tag – Fan Motor Leads                | -                        | 4A1494-01   | 1               |  |  |  |  |  |  |  |  |  |  |  |  |  |  |  |  |
| 18        | Caution – Remote Label               | -                        | 4A1491-01   | 1               |  |  |  |  |  |  |  |  |  |  |  |  |  |  |  |  |

**F. Pump Motor Assembly**  
**KM-501MAH, KM-501MWH, KM-501MRH**  
 R-1



| Title: F. Pump Motor Assembly Model: KM-501MAH, KM-501MWH, KM-501MRH |                     |                              |             |                 |  |  |  |  |  |  |  |  |  |  |  |
|--|---------------------|------------------------------|-------------|-----------------|--|--|--|--|--|--|--|--|--|--|--|
| Index No.  | Description         | Material or Model Number     | Part Number | Required Number |  |  |  |  |  |  |  |  |  |  |  |
|  |                     |                              |             | R-1             |  |  |  |  |  |  |  |  |  |  |  |
| 1  | Pump Motor          | APTA9210WD1<br>120V          | 2A2758-01   | 1               |  |  |  |  |  |  |  |  |  |  |  |
| 2  | Mechanical Seal / R | HKU90-J9001                  | 465627-01   | 1               |  |  |  |  |  |  |  |  |  |  |  |
| 3  | Pump Gasket         | EPDM                         | 4A2974-01   | 1               |  |  |  |  |  |  |  |  |  |  |  |
| 4  | Impeller            | ABS                          | 433522-01   | 1               |  |  |  |  |  |  |  |  |  |  |  |
| 5  | Pin                 | SS                           | 4A0648-01   | 1               |  |  |  |  |  |  |  |  |  |  |  |
| 6  | Pump Housing        | ABS                          | 211409-01   | 1               |  |  |  |  |  |  |  |  |  |  |  |
| 6a   | Screw               | 4x20, Geomet<br>321coated SS | 4A3871-01   | 4               |  |  |  |  |  |  |  |  |  |  |  |
| 7  | Plug Housing        | -                            | 412832-06   | 1               |  |  |  |  |  |  |  |  |  |  |  |
| 8  | Pump Flange         | -                            | 3A2988-01   | 1               |  |  |  |  |  |  |  |  |  |  |  |

**G. Control Assembly**  
**KM-501MAH, KM-501MWH, KM-501MRH**  
 R-1



| Title: <b>G. Control Assembly</b> Model: <b>KM-501MAH, KM-501MWH, KM-501MRH</b> |                  |                          |             |                 |  |  |  |  |  |  |  |  |  |
|---|------------------|--------------------------|-------------|-----------------|--|--|--|--|--|--|--|--|--|
| Index No.   | Description      | Material or Model Number | Part Number | Required Number |  |  |  |  |  |  |  |  |  |
|   |                  |                          |             | R-1             |  |  |  |  |  |  |  |  |  |
| 1   | Control Box (C)  | -                        | 4A2816-01   | 1               |  |  |  |  |  |  |  |  |  |
| 2   | Toggle Switch    | 7K63K6                   | 443119-01   | 1               |  |  |  |  |  |  |  |  |  |
| 3   | Control Label    | -                        | 4A2909-01   | 1               |  |  |  |  |  |  |  |  |  |
| 4   | Thermostat       | -                        | 4A2879-01   | 1               |  |  |  |  |  |  |  |  |  |
| 4a  | Truss Head Screw | -                        | 7C31-0408   | 2               |  |  |  |  |  |  |  |  |  |
| 5   | Fuse Holder      | -                        | 4A0892-01   | 1               |  |  |  |  |  |  |  |  |  |
| 6   | Fuse             | -                        | 4A0893-07   | 1               |  |  |  |  |  |  |  |  |  |

## H. Accessories

### KM-501MAH, KM-501MWH, KM-501MRH

R-1

| Title: H. Accessories Model: KM-501MAH, KM-501MWH, KM-501MRH |                        |                          |             |                 |  |  |  |  |  |  |  |  |
|--|------------------------|--------------------------|-------------|-----------------|--|--|--|--|--|--|--|--|
| Index No.  | Description            | Material or Model Number | Part Number | Required Number |  |  |  |  |  |  |  |  |
|  |                        |                          |             | R-1             |  |  |  |  |  |  |  |  |
| 1  | Instruction Manual     | PAPER                    | 91A1MN10A   | 1               |  |  |  |  |  |  |  |  |
| 2  | Universal Brace        | GS                       | 4A0363-01   | 2               |  |  |  |  |  |  |  |  |
| 3  | Hex Head Bolt          | 5x12, SS                 | 7B0230512   | 4               |  |  |  |  |  |  |  |  |
| <b>Packaging (On Models Currently In Production)</b>         |                        |                          | 2A3865A01   |                 |  |  |  |  |  |  |  |  |
| 1  | Tray Assembly - Top    | -                        | 1A1222G01   | 1               |  |  |  |  |  |  |  |  |
| 2  | Tray Assembly - Bottom | -                        | 1A1223G01   | 1               |  |  |  |  |  |  |  |  |
| 3  | Pallet                 | -                        | 2A3684-01   | 1               |  |  |  |  |  |  |  |  |
| 4  | Carton                 | -                        | 2A3862-29   | 1               |  |  |  |  |  |  |  |  |
| 5  | Plastic Support        | -                        | 2A3865-09   | 1               |  |  |  |  |  |  |  |  |
| 6  | Corner Post            | -                        | 3A4040-03   | 1               |  |  |  |  |  |  |  |  |
| 7  | Bar Code Label         | -                        | 4A2999-01   | 4               |  |  |  |  |  |  |  |  |