

NO. 71185

ISSUED: JULY 17, 2001

REVISED: JAN. 24, 2003



**HOSHIZAKI
MODULAR CRESCENT CUBER**

**MODEL
KM-500MAH
KM-500MWH
KM-500MRH**

PARTS LIST

HA

KM-500MAH	L-0	April 2001
	M-0	Dec. 2001
	M-1	March 2002
	M-2	Aug. 2002
	N-0	Dec. 2002

KM-500MWH	L-0	April 2001
	M-0	Dec. 2001
	M-1	Dec. 2001
	M-2	March 2002
	M-3	April 2002
	M-4	Sept. 2002
	N-0	Dec. 2002

KM-500MRH	L-0	June 2001
	M-0	Dec. 2001
	M-1	March 2002
	M-2	Sept. 2002
	N-0	Feb. 2003

MATERIAL ABBREVIATIONS

ALUMINUM

AL = Aluminum

COPPER

CU = Copper

PLASTIC

ABS = Acrylonitrile -butadiene - styrene
 AC = Polyacetal
 EVA = Ethylene vinyl acetate
 PA = Polyamide = Nylon
 PC = Polycarbonate
 PE = Polyethylene
 PES = Polyester
 PETP = Polyethylene terephthalate = Tetlon
 PP = Polypropylene
 PS = Polystyrene
 PTFE = Polytetrafluoroethylene = Teflon
 PUR = Polyurethane
 PVC = Polyvinyl chloride

RUBBER

VN = Vinyl Nitrile
 EPDM = EP rubber
 NBR = Nitrile butadiene rubber
 NR = Natural rubber
 NP = Neoprene
 SIR = Silicone rubber
 SYR = Synthetic rubber
 EPH = Epichlorohydrin

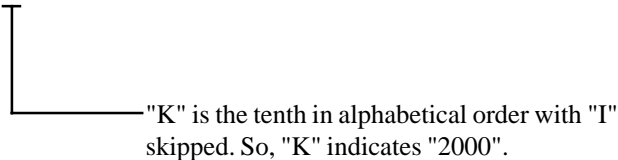
STEEL

GS = Galvanized steel
 SS = Stainless steel
 PS = Plated steel
 PAS = Primed steel

AUXILIARY CODE

Ex.1

K-0

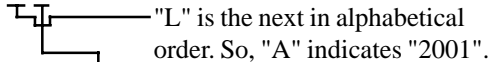


(Note) - = Part deleted.

x = Part deleted and replaced by INTERCHANGEABLE "o" part.

Ex.2

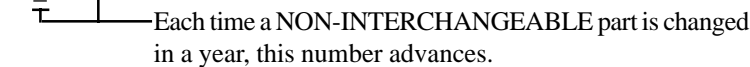
L-0

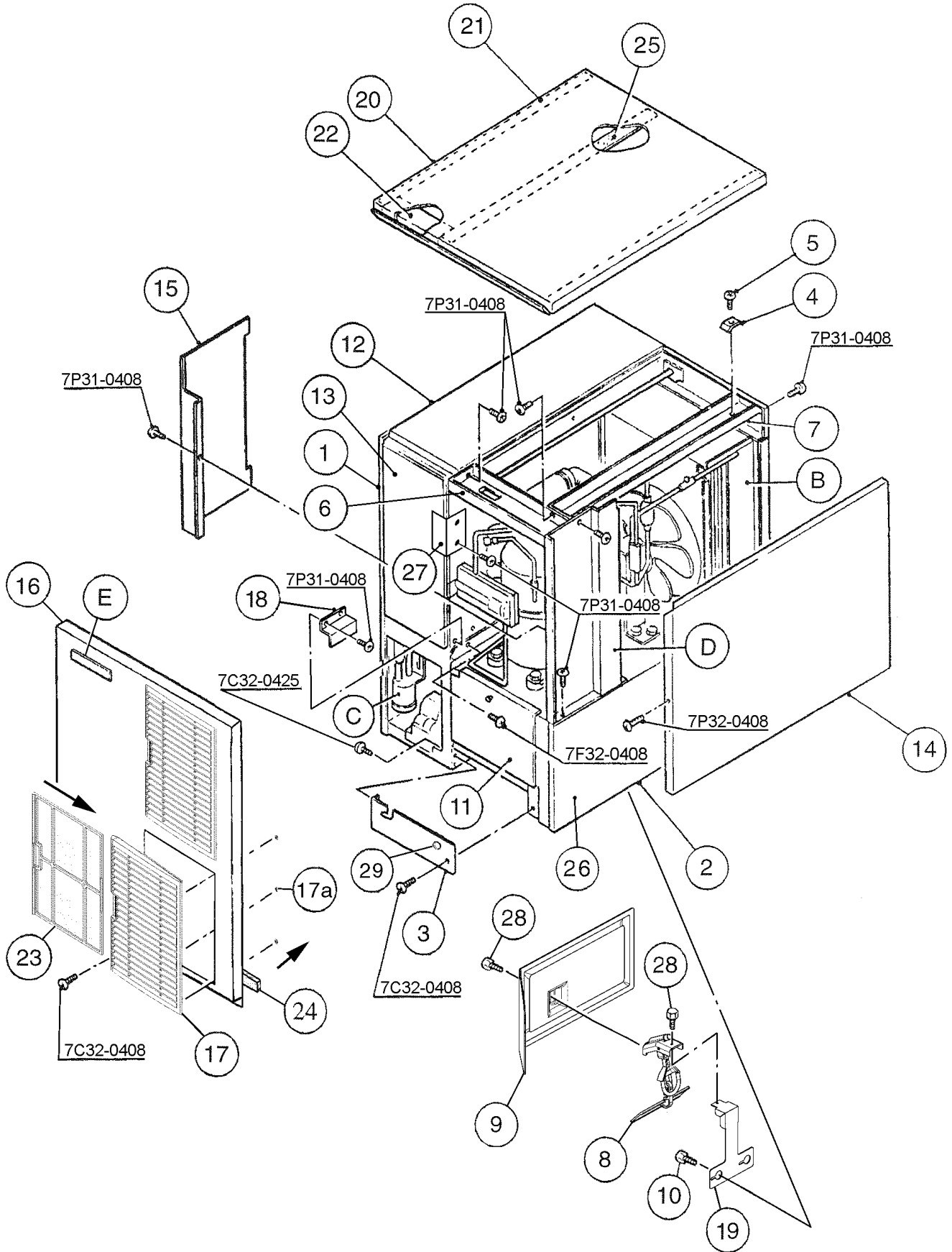


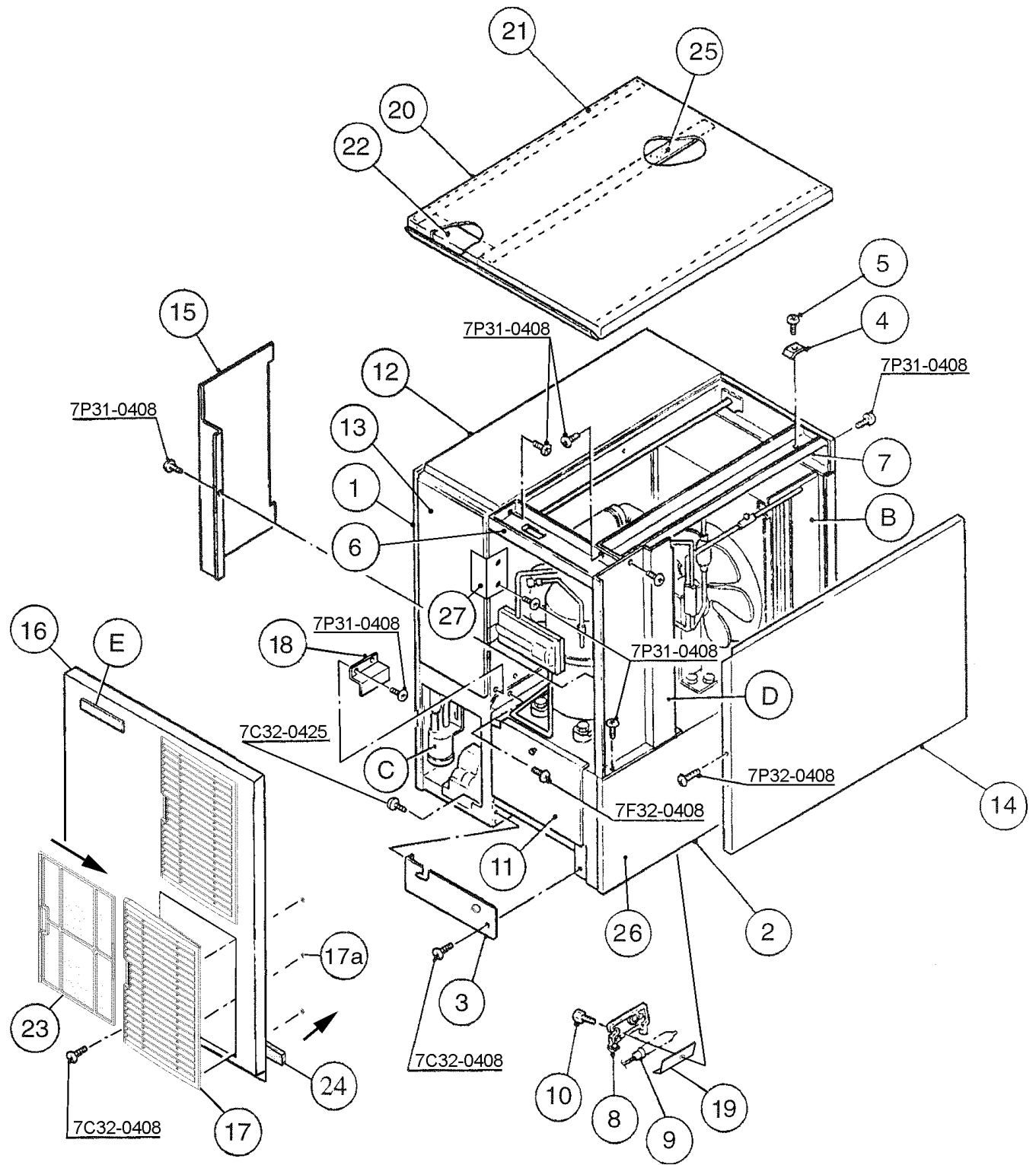
o = New part for "x" in the same auxiliary code.

Ex.3

L-1







MODEL: KM-500MAH TITLE: A. ICE CUBER ASSEMBLY								
INDEX NO.	DESCRIPTION	MATERIAL OR MODEL NUMBER	PART NUMBER	REQUIRED NUMBER				
				L-0	M-0	M-1	M-2 N-0	
B	REFRIGERATION CIRCUIT	-	1A0420A01	1	1	x1		
		-	1A0420A01			o1	1	
C	WATER CIRCUIT	HS-1204	1A0283A01	1	1	1	1	
D	CONTROL BOX ASSEMBLY	-	2A2248A01	1	1	1	-	
		-	2A2538A01				1	
	T2 SCREW	4X8	7P31-0408	4	4	4	4	
E	LABEL LOCATION	-	3A1905A01	1	1	1	-	
		-	3A2409A01				1	
1	EVAP. CASE	HS-1010	1A0579G01	1	1	1	1	
2	BASE	-	2A2146G06	1	1	1	1	
	FT SCREW	4X8	7F31-0408	7	7	7	7	
3	FRAME	ABS	3A0217G01	1	1	1	-	
		-	3A2503G01				1	
	TRUSS HEAD SCREW	4X8, SS	7C32-0408	1	1	1	1	
	TRUSS HEAD SCREW	4X25, SS	7C32-0425	2	2	2	2	
4	SQUARE WASHER	BRASS	433537-02	1	1	1	1	
5	SCREW - GROUNDING	BRASS	433304-02	1	1	1	1	
6	TOP FRAME	GS	332443-01	1	1	1	1	
	T2 SCREW	4X8	7P31-0408	4	4	4	4	
7	SIDE FRAME	GS	332465G01	1	1	1	1	
	T2 SCREW	4X8	7P31-0408	2	2	2	2	
8	BIN SWITCH	-	4A2430-01	1	1	1	-	
	BULB HOLDER	-	328919-01				1	
9	SHIELD	-	3A1438-01	1	1	1	-	
	SPACER	-	443545-01				2	
10	THUMBSCREW	SS, ABS	415949G09	2	2	2	2	
11	BASE COVER	SS	321525G01	1	1	1	1	
12	TOP INSULATION	PP	215730G01	1	1	1	1	
13	FRONT INSULATION	PP	215731G01	1	1	1	1	

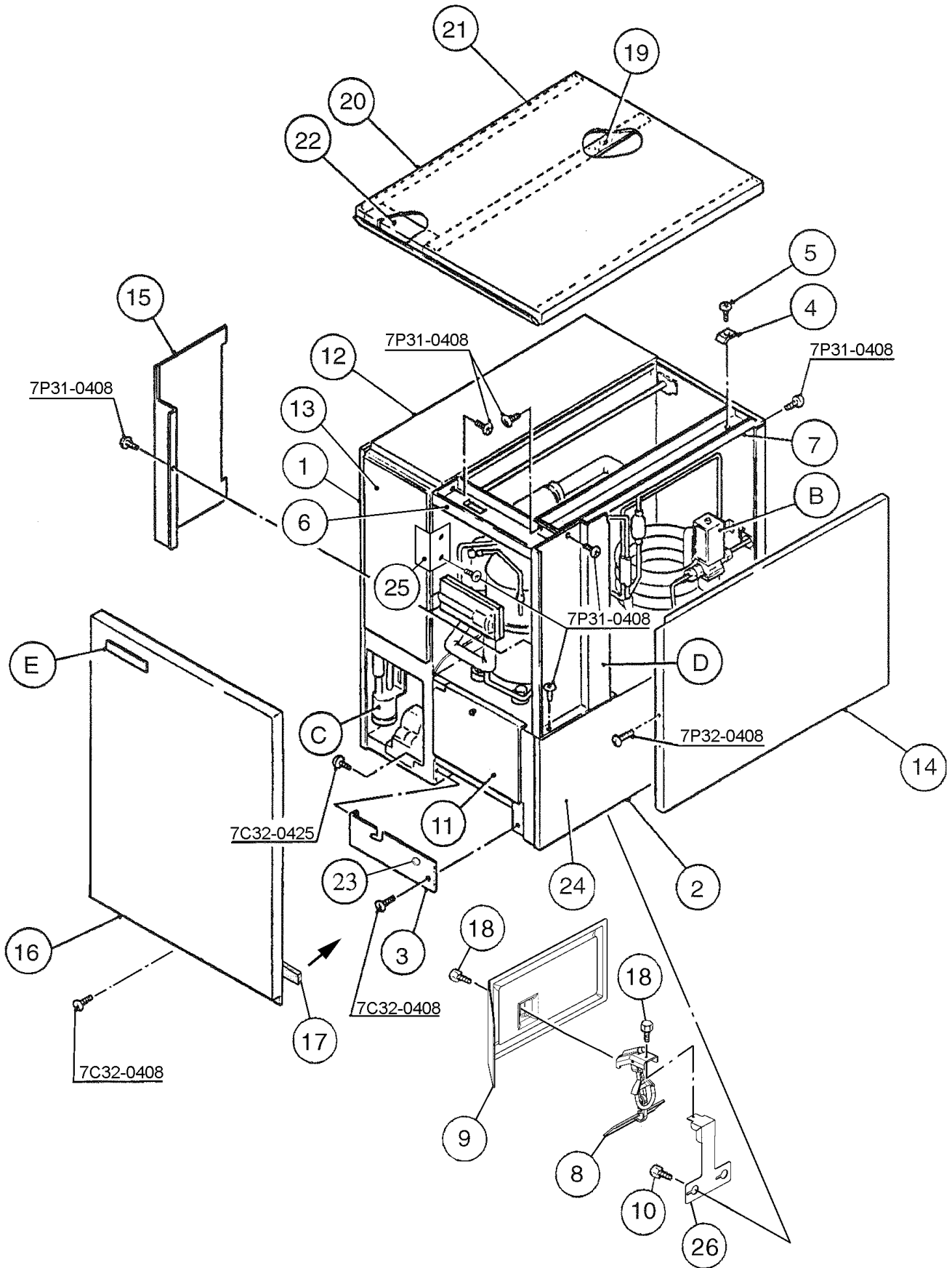
MODEL: KM-500MAH TITLE: A. ICE CUBER ASSEMBLY								
INDEX NO.	DESCRIPTION	MATERIAL OR MODEL NUMBER	PART NUMBER	REQUIRED NUMBER				
				L-0	M-0	M-1	M-2 N-0	
14	SIDE PANEL (R)	SS	2A2117G01	1	1	1	1	
	T2 SCREW	4X8, SS	7P32-0408	1	1	1	1	
15	CONTROL BOX COVER	GS	332466-01	1	1	1	-	
		GS	3A2476-01				1	
	T2 SCREW	4X8	7P31-0408	1	1	1	1	
16	FRONT PANEL	SS	2A2244G02	1	1	1	1	
	TRUSS HEAD SCREW	SS, 4X8	7C32-0408	1	1	1	1	
17	LOUVER (A)	ABS	1A0547-01	2	2	2	2	
17a	PUSH RETAINER	-	4A2414-01	6	6	6	6	
18	BARRIER	GS	4A0362-01	1	1	1	1	
	T2 SCREW	4X8	7P31-0408	2	2	2	2	
19	BRACKET (M)	-	3A1434-01	1	1	1	-	
	DEFLECTOR	-	4A1951-01				1	
20	TOP PANEL	SS (3A1890A01)	2A2133-01	1	1	1	1	
21	GASKET	PVC (3A1890A01)	427014-04	2	2	2	2	
22	INSULATION	PE FOAM (3A1890A01)	438012-01	1	1	1	1	
23	AIR FILTER (A)	ABS	2A2062G01	2	2	2	2	
24	GASKET	L=554	4A0808L02	1	1	1	1	
25	GASKET (A)	(3A1890A01)	324859-03	1	1	1	1	
26	SIDE PANEL (R) – BASE	SS	2A2147-01	1	1	1	1	
27	BARRIER-INSULATION	GS	4A1167-01	1	1	1	1	
	T2 SCREW	4x8	7P31-0408	2	2	2	2	
28	THUMBSCREW	-	4H3270G02	2	2	2	-	
29	BUSHING	-	4A2536-01	1	1	1	-	

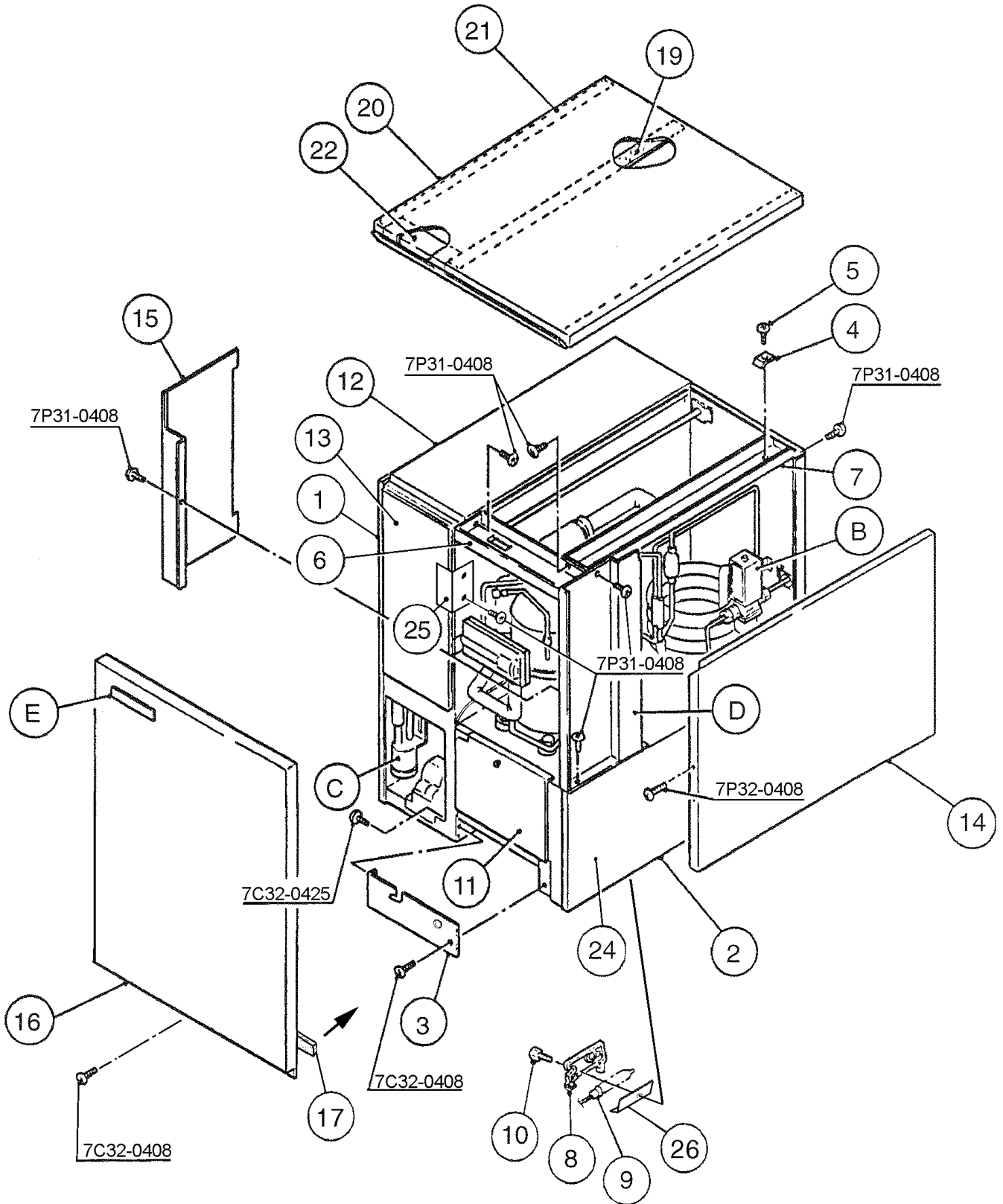
HA

KM-500MWH

A. ICE CUBER ASSEMBLY

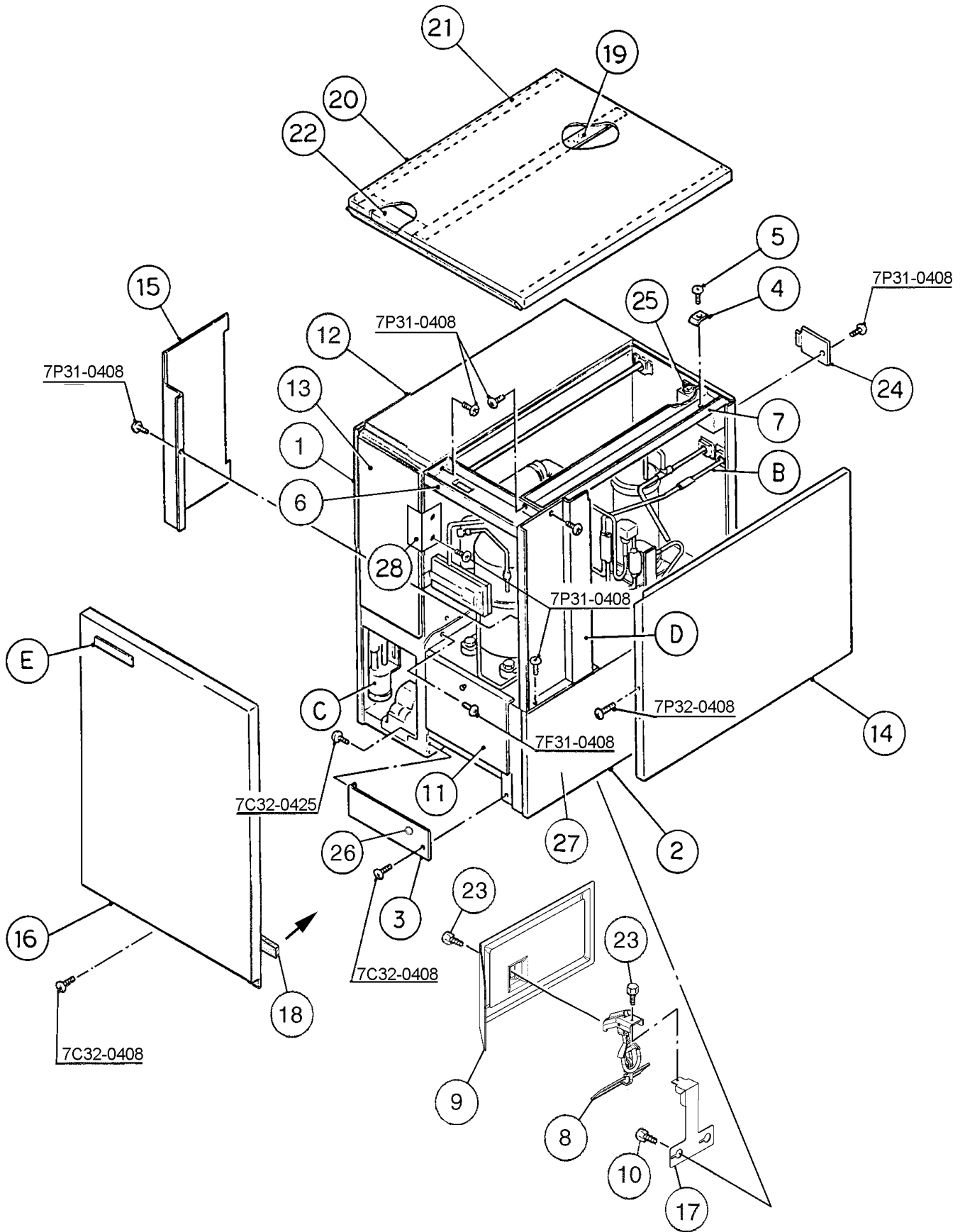
L-0, M-0, M-1, M-2, M-3

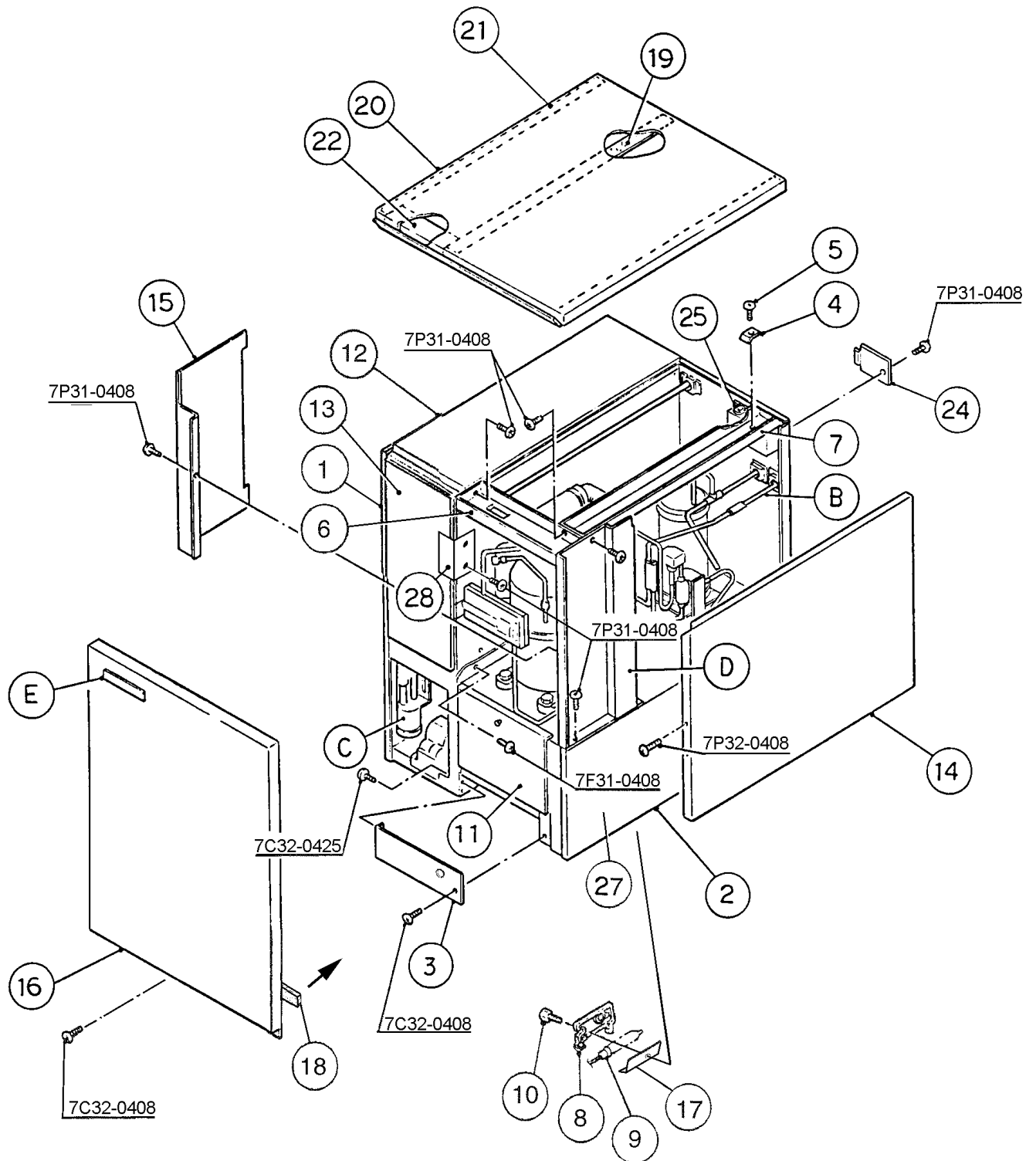




MODEL: KM-500MWH TITLE: A. ICE CUBER ASSEMBLY								
INDEX NO.	DESCRIPTION	MATERIAL OR MODEL NUMBER	PART NUMBER	REQUIRED NUMBER				
				L-0 M-0	M-1	M-2	M-3	M-4 N-0
B	REFRIGERATION CIRCUIT	-	1A0421A03	1	-			
		-	1A0680A01		1	x1		
		-	1A0680A02			o1	1	1
C	WATER CIRCUIT	HS-1204	1A0283A01	1	1	1	1	1
D	CONTROL BOX ASSEMBLY	-	2A2248A02	1	1	1	1	-
		-	2A2538A02					1
	T2 SCREW	4X8	7P31-0408	4	4	4	4	4
E	LABEL LOCATION	-	3A1906A01	1	1	1	1	-
		-	3A2410A01					1
1	EVAP. CASE	HS-1010	1A0579G01	1	1	1	1	1
2	BASE	-	2A2146G05	1	-	1	-	
		-	2A2146G09		1	-	1	1
	FT SCREW	4X8	7F31-0408	7	7	7	7	7
3	FRAME	-	3A0217G01	1	1	1	1	-
		-	3A2503G01					1
	TRUSS HEAD SCREW	4X8, SS	7C32-0408	1	1	1	1	1
	TRUSS HEAD SCREW	4X25, SS	7C32-0425	2	2	2	2	2
4	SQUARE WASHER	BRASS	433537-02	1	1	1	1	1
5	SCREW - GROUNDING	BRASS	433304-02	1	1	1	1	1
6	TOP FRAME	GS	332443-01	1	1	1	1	1
	T2 SCREW	4X8	7P31-0408	4	4	4	4	4
7	SIDE FRAME	GS	332465G01	1	1	1	1	1
	T2 SCREW	4X8	7P31-0408	2	2	2	2	2
8	BIN SWITCH	-	4A2430-01	1	1	1	1	-
	BULB HOLDER	-	328919-01					1
9	SHIELD	-	3A1438-01	1	1	1	1	-
	SPACER	-	443545-01					2
10	THUMBSCREW	SS, ABS	415949G09	2	2	2	2	2
11	BASE COVER	SS	321525G01	1	1	1	1	1

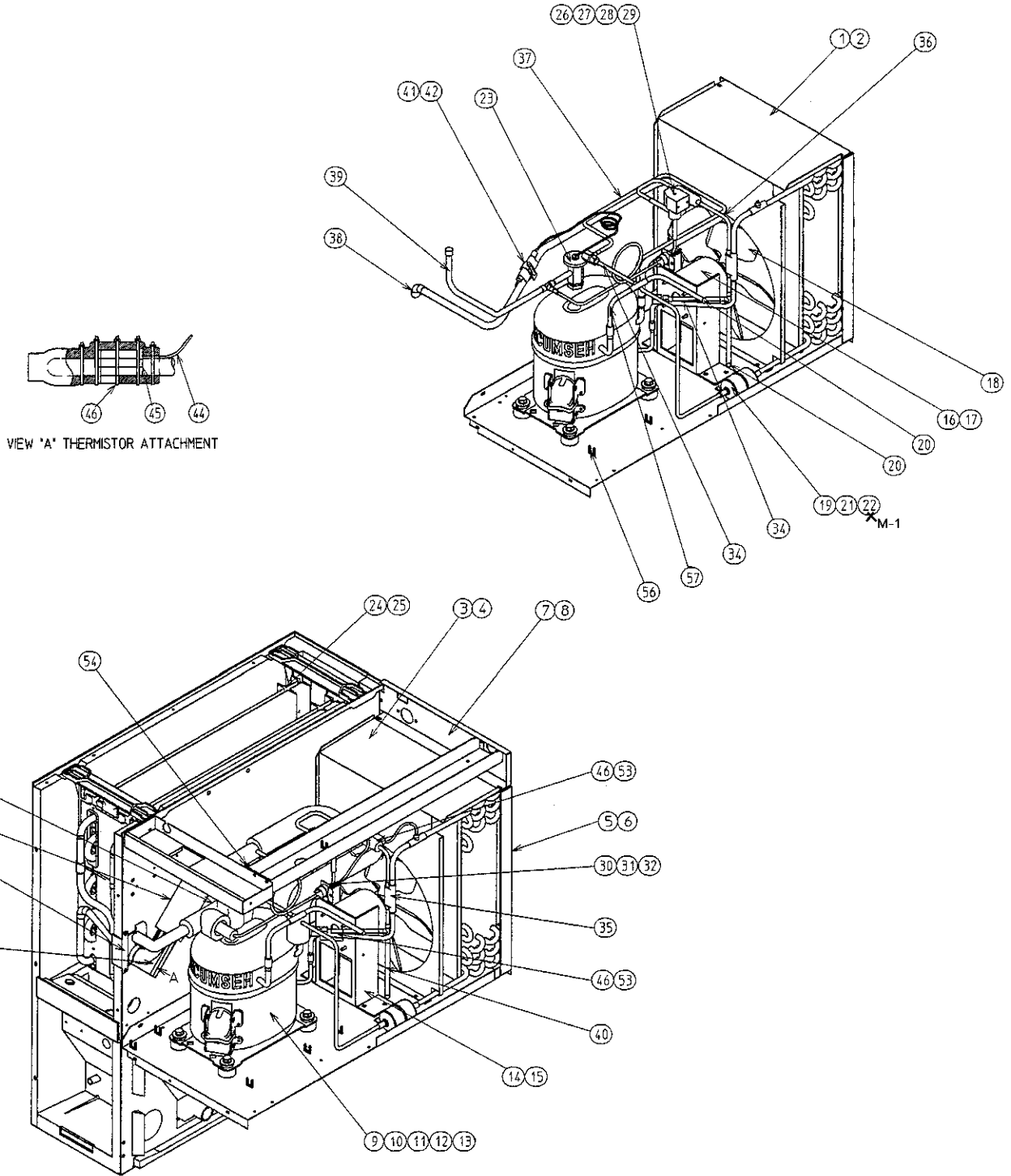
MODEL: KM-500MWH TITLE: A. ICE CUBER ASSEMBLY								
INDEX NO.	DESCRIPTION	MATERIAL OR MODEL NUMBER	PART NUMBER	REQUIRED NUMBER				
				L-0 M-0	M-1	M-2	M-3	M-4 N-0
12	TOP INSULATION	PP	215730G01	1	1	1	1	1
13	FRONT INSULATION	PP	215731G01	1	1	1	1	1
14	SIDE PANEL (R)	SS	2A2117G01	1	1	1	1	1
	T2 SCREW	4X8, SS	7P32-0408	1	1	1	1	1
15	CONTROL BOX COVER	GS	332466-01	1	1	1	1	-
		Gs	3A2476-01					1
	T2 SCREW	4X8	7P31-0408	1	1	1	1	1
16	FRONT PANEL	SS	2A2150G01	1	1	1	1	1
	TRUSS HEAD SCREW	33, 4X8	7C32-0408	1	1	1	1	1
17	GASKET	L=554	4A0808L02	1	1	1	1	1
18	THUMBSCREW	-	4H3270G02	2	2	2	2	-
19	GASKET (A)	(3A1890A01)	324859-03	1	1	1	1	1
20	TOP PANEL	SS, (3A1890A01)	2A2133-01	1	1	1	1	1
21	GASKET	PVC, (3A1890A01)	427014-04	2	2	2	2	2
22	INSULATION	PE FOAM, (3A1890A01)	438012-01	1	1	1	1	1
23	BUSHING	-	4A2536-01	1	1	1	1	-
24	SIDE PANEL (R) – BASE	SS	2A2147-01	1	1	1	1	1
25	BARRIER – INSULATION	GS	4A1167-01	1	1	1	1	1
	T2 SCREW	4x8	7P31-0408	2	2	2	2	2
26	BRACKET (M)	-	3A1434-02	1	1	1	1	-
	DEFLECTOR	-	4A1951-01					1





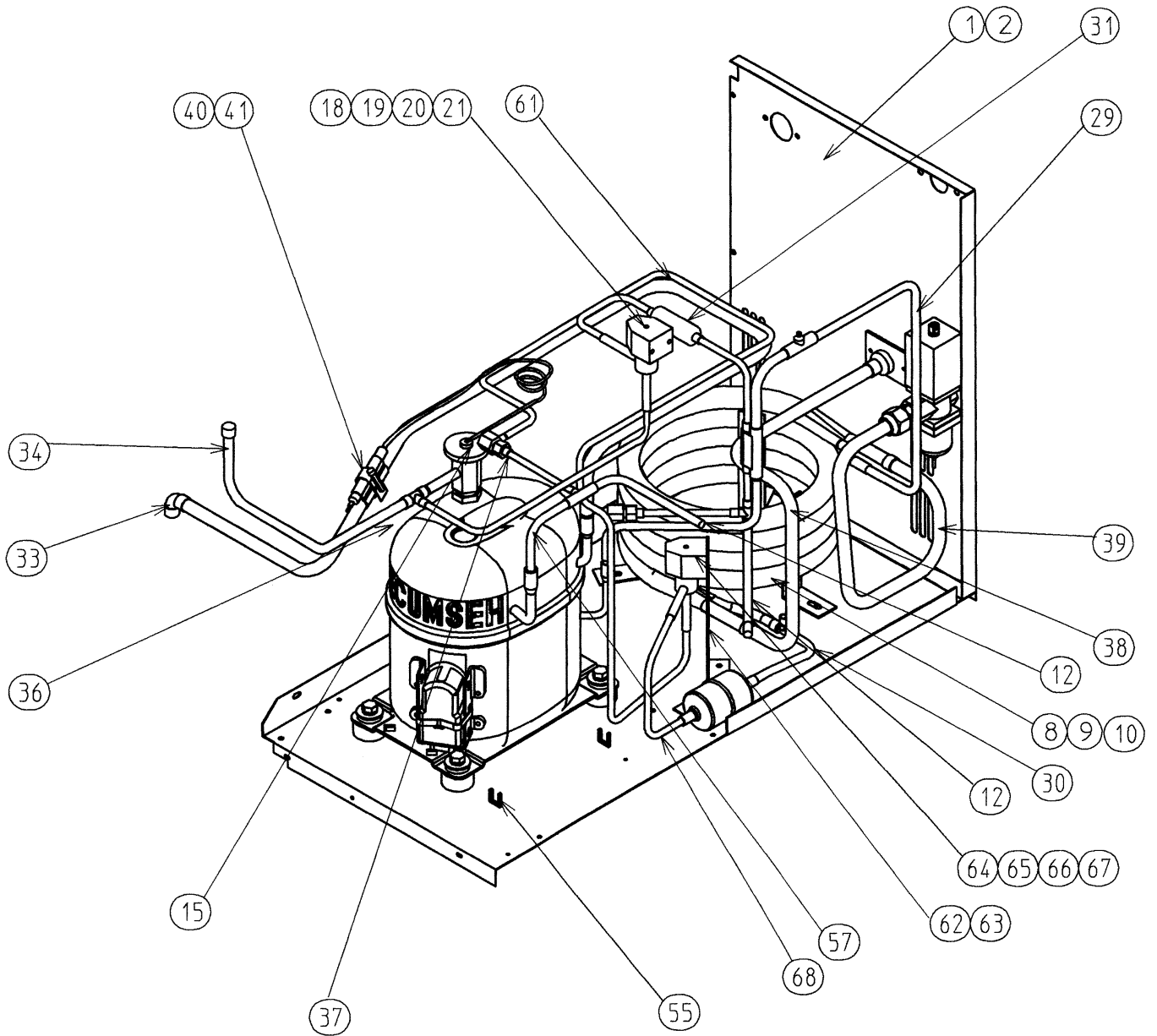
MODEL: KM-500MRH TITLE: A. ICE CUBER ASSEMBLY								
INDEX NO.	DESCRIPTION	MATERIAL OR MODEL NUMBER	PART NUMBER	REQUIRED NUMBER				
				L-0	M-0	M-1	M-2 N-0	
B	REFRIGERATION CIRCUIT	-	1A0422A01	1	1	x1		
		-	1A0422A02			o1	1	
C	WATER CIRCUIT	HS-1204	1A0283A01	1	1	1	1	
D	CONTROL BOX ASSEMBLY	-	2A2248A02	1	1	1	-	
		-	2A2538A02				1	
	T2 SCREW	4X8	7P31-0408	4	4	4	4	
E	LABEL LOCATION	-	3A1907A01	1	1	1	-	
		-	3A2411A01				1	
1	EVAP. CASE	HS-1010	1A0579G01	1	1	1	1	
2	BASE	-	2A2146G07	1	1	1	1	
		FT SCREW	4X8	7F31-0408	7	7	7	7
3	FRAME	-	3A0217G01	1	1	1	-	
		-	3A2503G01				1	
	TRUSS HEAD SCREW	4X8, SS	7C32-0408	1	1	1	1	
	TRUSS HEAD SCREW	4X25, SS	7C32-0425	2	2	2	2	
4	SQUARE WASHER	BRASS	433537-02	1	1	1	1	
5	SCREW - GROUNDING	BRASS	433304-02	1	1	1	1	
6	TOP FRAME	GS	332443-01	1	1	1	1	
		T2 SCREW	4X8	7P31-0408	4	4	4	4
7	SIDE FRAME	GS	332465G01	1	1	1	1	
		T2 SCREW	4X8	7P31-0408	2	2	2	2
8	BIN SWITCH	-	4A2430-01	1	1	1	-	
		BULB HOLDER	-	328919-01				1
9	SHIELD	-	3A1438-01	1	1	1	-	
		SPACER	-	443545-01				2
10	THUMBSCREW	SS, ABS	415949G09	2	2	2	2	
11	BASE COVER	SS	321525G01	1	1	1	1	
12	TOP INSULATION	PP	215730G01	1	1	1	1	
13	FRONT INSULATION	PP	215731G01	1	1	1	1	

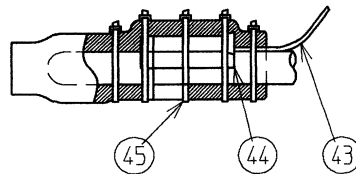
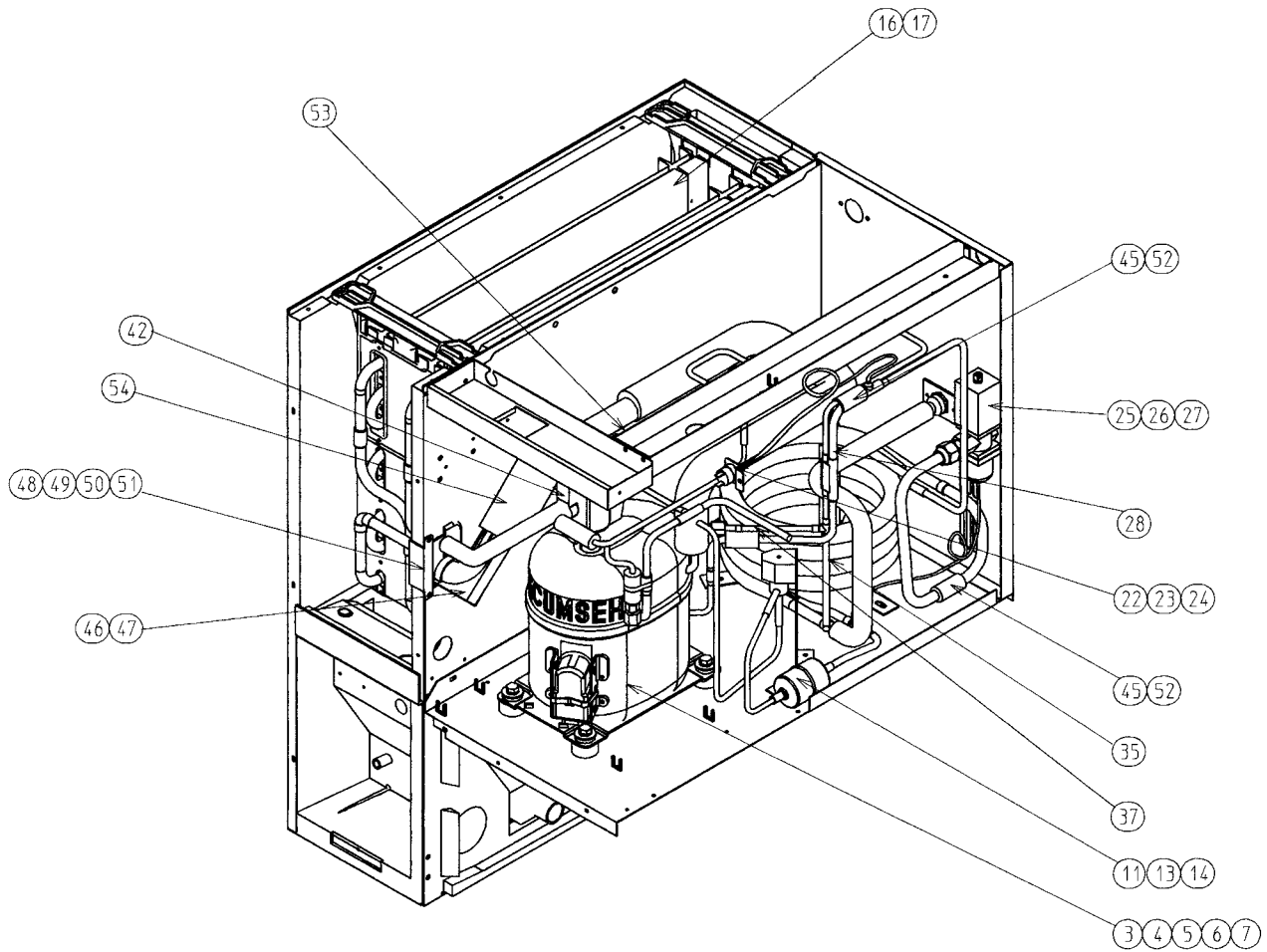
MODEL: KM-500MRH TITLE: A. ICE CUBER ASSEMBLY								
INDEX NO.	DESCRIPTION	MATERIAL OR MODEL NUMBER	PART NUMBER	REQUIRED NUMBER				
				L-0	M-0	M-1	M-2 N-0	
14	SIDE PANEL (R)	SS	2A2117G01	1	1	1	1	
	T2 SCREW	4X8, SS	7P32-0408	1	1	1	1	
15	CONTROL BOX COVER	GS	332466-01	1	1	1	-	
		GS	3A2476-01				1	
	T2 SCREW	4X8	7P31-0408	1	1	1	1	
16	FRONT PANEL	SS	2A2150G01	1	1	1	1	
	TRUSS HEAD SCREW	SS, 4X8	7C32-0408	1	1	1	1	
17	BRACKET (M)	-	3A1434-02	1	1	1	-	
	DEFLECTOR	-	4A1951-01				1	
18	GASKET	L=554	4A0808L02	1	1	1	1	
19	GASKET (A)	(3A1890A01)	324859-03	1	1	1	1	
20	TOP PANEL	SS, (3A1890A01)	2A2133-01	1	1	1	1	
21	GASKET	PVC, (3A1890A01)	427014-04	2	2	2	2	
22	INSULATION	PE FOAM, (3A1890A01)	438012-01	1	1	1	1	
23	THUMBSCREW	-	4H3270G02	2	2	2	-	
24	JUNCTION BOX COVER	GS	433410-01	1	1	1	1	
	T2 SCREW	4x8	7P31-0408	1	1	1	1	
25	BUSHING	SR-30-1	420472-03	1	1	1	-	
26	BUSHING	-	4A2536-01	1	1	1	1	
27	SIDE PANEL (R) – BASE	SS	2A2147-01	1	1	1	1	
28	BARRIER – INSULATION	GS	4A1167-01	1	1	1	1	
	T2 SCREW	4x8	7P31-0408	2	2	2	2	



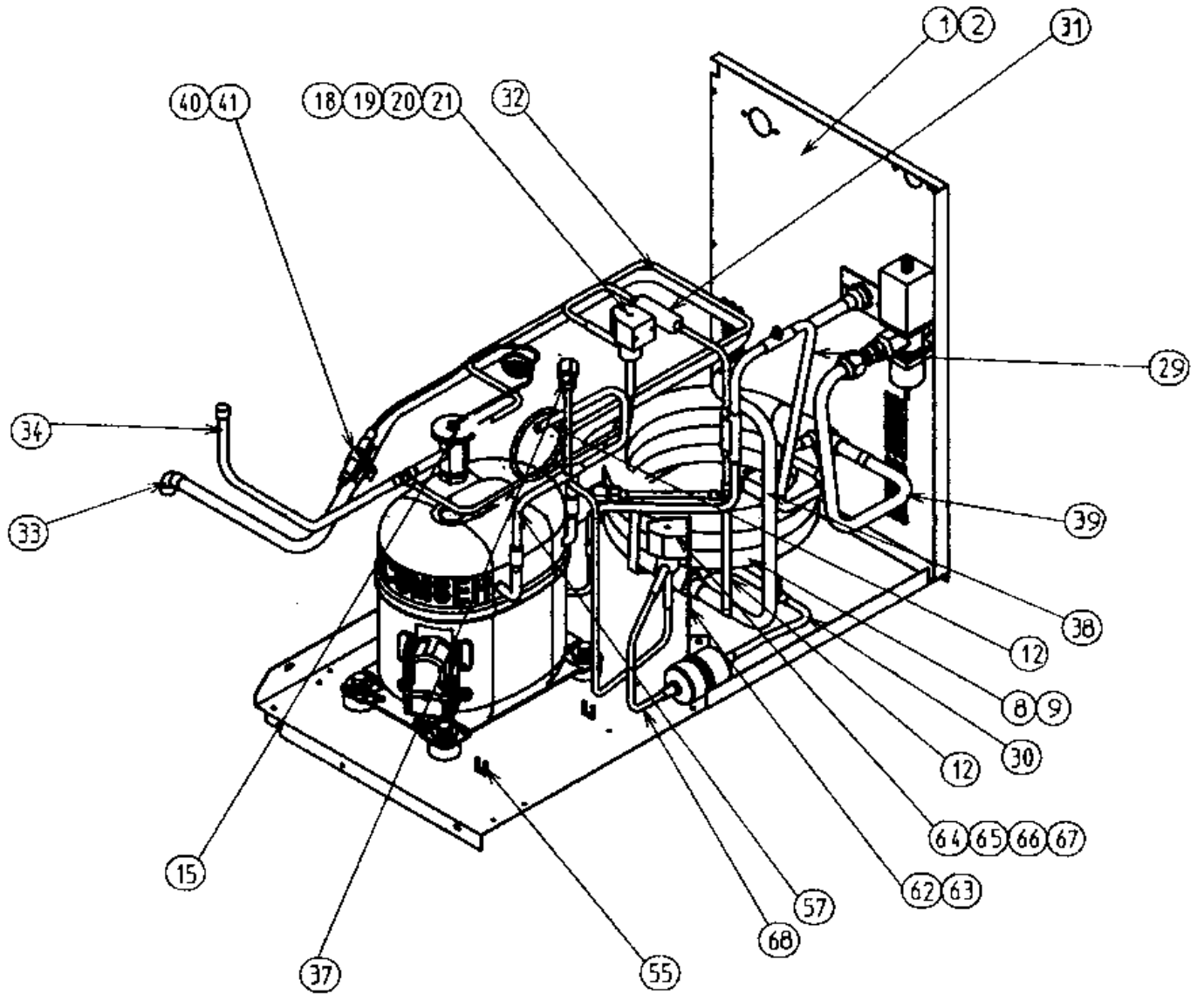
MODEL: KM-500MAH TITLE: B. REFRIGERATION CIRCUIT								
INDEX NO.	DESCRIPTION	MATERIAL OR MODEL NUMBER	PART NUMBER	REQUIRED NUMBER				
				L-0	M-0	M-1	M-2	N-0
1	CONDENSER	-	220491-01	1	1	1	1	
2	T2 SCREW	4X8	7P31-0408	2	2	2	2	
3	SHROUD	GS	2A0606-01	1	1	1	1	
4	T2 SCREW	4X8	7P31-0408	2	2	2	2	
5	BARRIER	GS	433693-04	1	1	1	1	
6	T2 SCREW	4X8	7P31-0408	2	2	2	2	
7	REAR PANEL	GS	3A0562-01	1	1	1	1	
8	T2 SCREW	4X8	7P31-0408	3	3	3	3	
9	COMPRESSOR	AKA9455ZXA	4A1820-01	1	1	1	1	
10	MOTOR PROTECTOR	8300MRAK30	4A1875-01	1	1	1	1	
11	BOLT	8x45	437889-01	4	4	4	4	
12	SPACER	027-0072-02	434404-01	4	4	4	4	
13	GROMMET	527-0039-04	434403-01	4	4	4	4	
14	FAN MOTOR BRACKET	GS	327179-01	1	1	1	1	
15	HEX BOLT ASSEMBLY (LF)	5X12, SS	7B0230512	4	4	4	4	
16	FAN MOTOR	U90B1, 7190-1031	440911-01	1	1	1	1	
17	SELF-LOCKING NUT	NO. 8-32	7N21I0832	4	4	4	4	
18	FAN BLADE	AD10CW32	444898-01	1	1	1	1	
19	DRIER	CW-0325-S	4A1413-01	1	1	x1		
		-	4A2666-01			o1	1	
20	ENDCAP		4A1413F01	2	2	2	2	
21	DRIER BRACKET	GS	445847-01	1	1	-		
	NYLON TIE	-	8911-0301			1	1	
22	T2 SCREW	4X8	7P31-0408	1	1	-		
23	EXPANSION VALVE	AN3/4 SW65	4A1870-01	1	1	1	1	
24	EVAPORATOR	-	106492G01	1	1	1	1	
25	T2 SCREW	4X16, SS	7P32-0416	4	4	4	4	
26	VALVE BODY	70	440352-01	1	1	1	1	
27	COIL - VALVE	ABS-25-1-HD-2	440353-01	1	1	1	1	

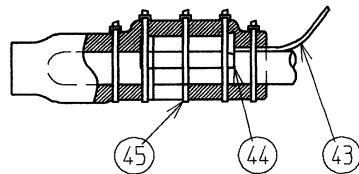
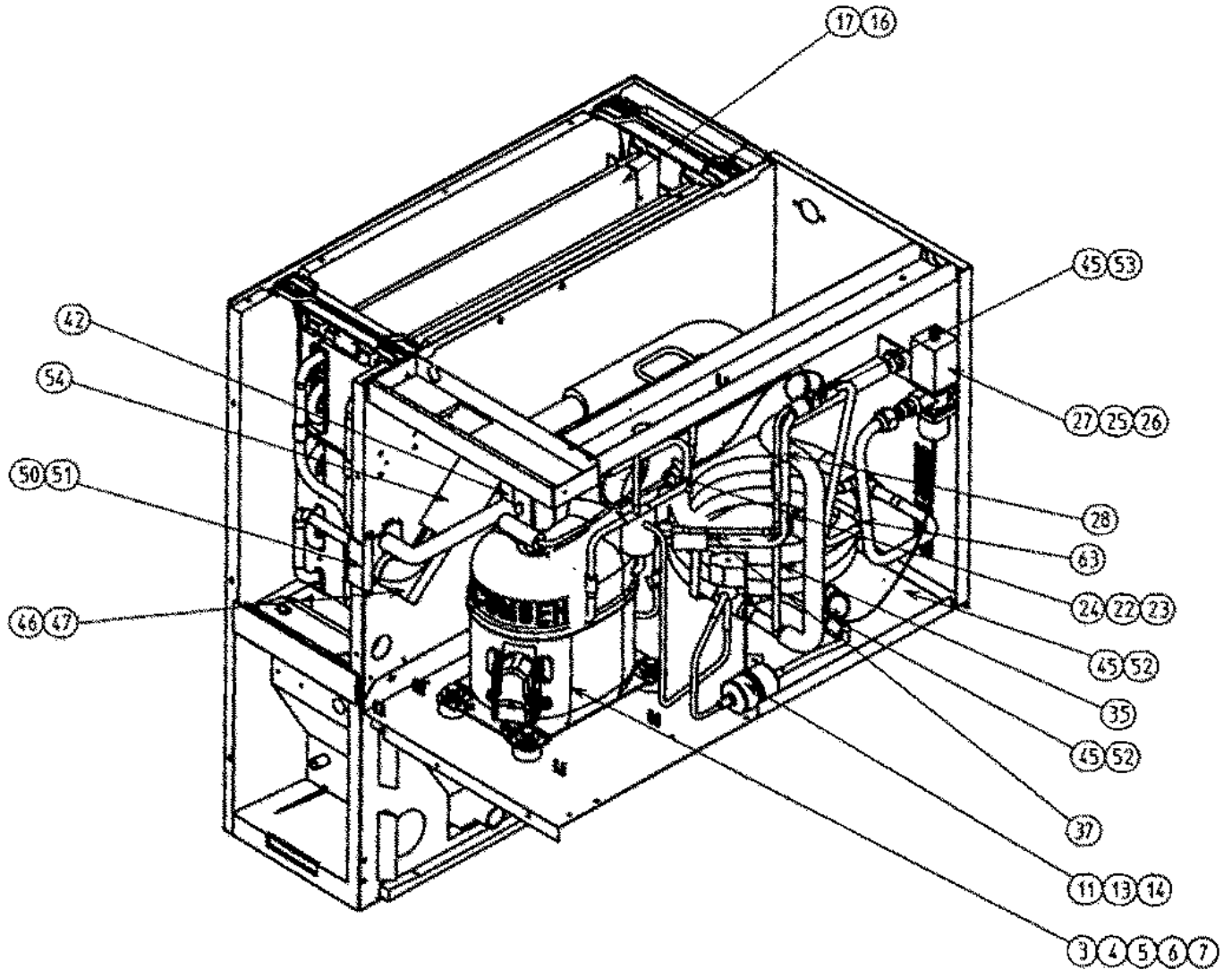
MODEL: KM-500MAH TITLE: B. REFRIGERATION CIRCUIT								
INDEX NO.	DESCRIPTION	MATERIAL OR MODEL NUMBER	PART NUMBER	REQUIRED NUMBER				
				L-0	M-0	M-1	M-2 N-0	
28	BOLT	4x6	440353F01	1	1	1	1	
29	TRUSS HEAD SCREW	4X8	7C31-0408	2	2	2	2	
30	PRESSURE SWITCH	ACB-1UB09	433441-07	1	1	1	1	
31	PRESSURE SWITCH BRACKET	GS	434938-01	1	1	1	1	
32	T2 SCREW	4X8	7P31-0408	1	1	1	1	
33	-	-	-					
34	ACCESS VALVE	-	457729-01	2	2	2	2	
35	COPPER TUBE (A) - HIGH SIDE	COPPER	2A1435G01	1	1	1	1	
36	COPPER TUBE (D) - HIGH SIDE	COPPER	3A1238G01	1	1	1	1	
37	HEAT EXCHANGER	-	2A1478G01	1	1	x1		
		-	2A1478G02			o1	1	
38	ELBOW	COPPER	417395-03	1	1	1	1	
39	COPPER TUBE - HOT GAS	COPPER	2A1488G01	1	1	1	1	
40	COPPER TUBE (J)	COPPER	4A1815G01	1	1	1	1	
41	HOLDER / EXP. VALVE – 1/2	SS	3A0112-01	1	1	1	1	
42	CLAMP	SS	443461-02	1	1	1	1	
43	EXPANSION VALVE COVER	PE FOAM	4A1168-01	1	1	1	1	
44	THERMISTOR	-	429006-03	1	1	1	1	
45	HOLDER - THERMISTOR	COPPER	427430-01	1	1	1	1	
46	CABLE TIE	CV-200 (PLT-2M)	7920-0010	12	12	12	12	
47	INSULATION - THERMISTOR (A)	PE FOAM	439368-01	1	1	1	1	
48	INSULATION - THERMISTOR (B)	PE FOAM	439368-02	1	1	1	1	
49	RUBBER INSULATION (A)	EPDM	3A1044-01	1	1	1	1	
50	RUBBER INSULATION (B)	EPDM	3A1045-01	1	1	1	1	
51	INSULATION HOLDER		4A1550-01	1	1	1	1	
52	T2 SCREW	4X8, SS	7P32-0408	2	2	2	2	





DETAILED "A" THERMISTOR ATTACHMENT



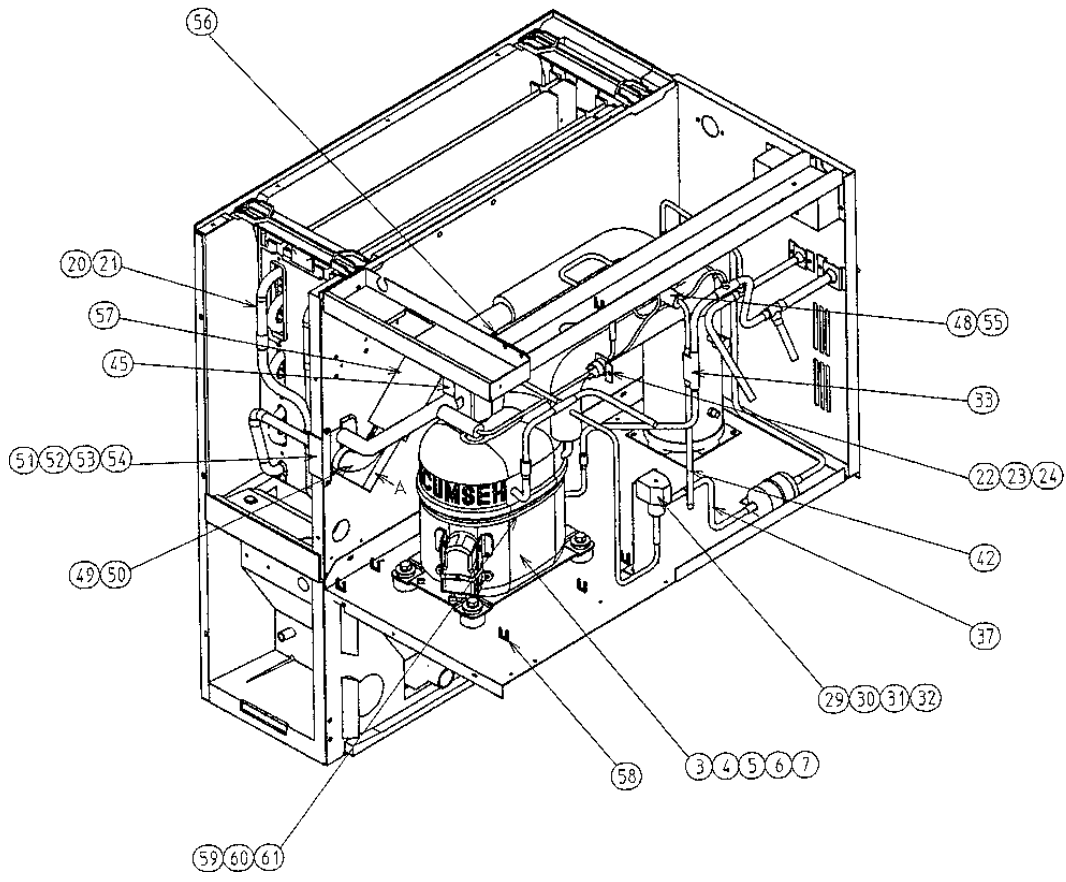
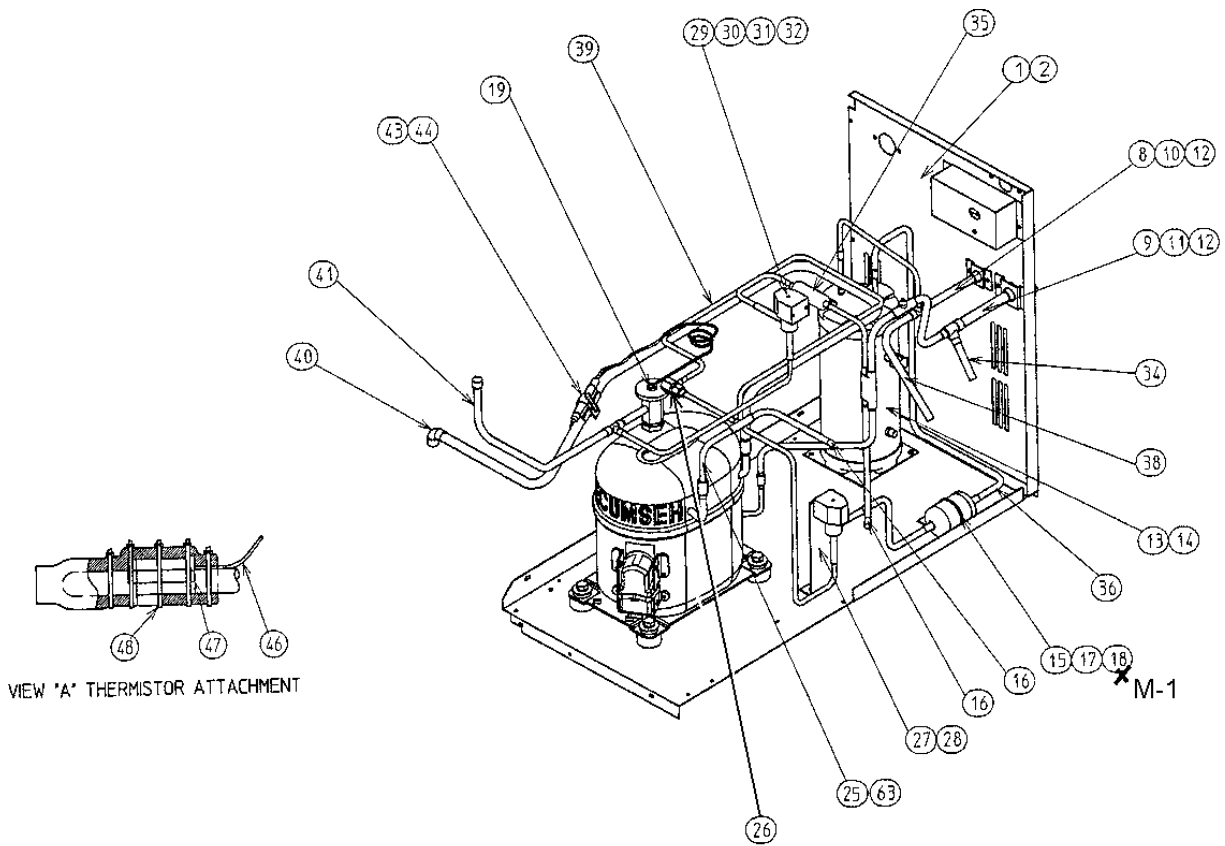


DETAILED "A" THERMISTOR ATTACHMENT

MODEL: KM-500MWH TITLE: B. REFRIGERATION CIRCUIT								
INDEX NO.	DESCRIPTION	PART NUMBER	Required Number					
			L-0	M-0	M-1	M-2	M-3	M-4 N-0
1	REAR PANEL	2A1426-01	1	1	1	1	1	1
2	T2 SCREW 4X8	7P31-0408	5	5	5	5	5	5
3	COMPRESSOR AKA9455ZXA	4A1820-01	1	1	1	1	1	1
4	MOTOR PROTECTOR 8300MRAK30	4A1875-01	1	1	1	1	1	1
5	BOLT	437889-01	4	4	4	4	4	4
6	SPACER	434404-01	4	4	4	4	4	4
7	GROMMET 527-0039-04	434403-01	4	4	4	4	4	4
8	CONDENSER	2A1429-02	1	1	-	1	-	
		2A2359G01			1	-	1	1
9	HEX HEAD BOLT W/WASHER(LF) 5X10	7B0230510	3	3	2	3	2	2
10	WASHER	4A0655-03	3	3	-	3	-	-
11	DRIER CW-0325-S	4A1413-01	1	1	1	x1		
		4A2666-01				o1	1	1
12	ENDCAP	4A1413F01	2	2	2	2	2	2
13	DRIER BRACKET	445847-01	1	1	1	-		
	NYLON TIE	8911-0301				1	1	1
14	T2 SCREW 4X8	7P31-0408	1	1	1	-		
15	EXP. VALVE AN3/4 SW65	4A1870-01	1	1	1	1	1	1
16	EVAPORATOR	106492G01	1	1	1	1	1	1
17	T2 SCREW 4X16 SUS	7P32-0416	4	4	4	4	4	4
18	VALVE BODY 70	440352-01	1	1	1	1	1	1
19	COIL VALVE ABS-25-1-HD-2	440353-01	1	1	1	1	1	1
20	BOLT	440353F01	1	1	1	1	1	1
21	TRUSS HEAD SCREW 4X8	7C31-0408	2	2	2	2	2	2
22	PRESSURE SWITCH ACB-2UB04	433441-05	1	1	1	1	1	1
23	PRESSURE SWITCH BRACKET	434938-01	1	1	1	1	1	1
24	T2 SCREW 4X8	7P31-0408	1	1	1	1	1	1
25	MALE CONNECTOR	4A1087-01	1	1	1	1	1	1
26	WATER REGULATOR	V46DA-3	4A0911-03	1	1	1	1	x1
		V46DA-5	4A0911-06				o1	1
27	TRUSS HEAD SCREW 4X6	7C31-0406	2	2	2	2	2	2
28	COPPER TUBE (A)-HIGH SIDE	2A1435G01	1	1	1	1	1	1
29	COPPER TUBE (B)-HIGH SIDE	3A1249-01	1	1	-	1	-	
		3A2219-01	1		1	-	1	1
30	COPPER TUBE (C)-HIGH SIDE	4A1829G01	1	1	-	1	-	
		4A2682G01	1		1	-	1	1
31	COPPER TUBE (D)-HIGH SIDE	3A1238G01	1	1	1	1	1	1
32	HEAT EXCHANGER	2A1976G01	1	1	1	1	1	1
33	ELBOW	417395-03	1	1	1	1	1	1
34	COPPER TUBE-HOT GAS	2A1467G01	1	1	1	1	x1	
		3A1488G01				o1	1	1

HA

MODEL: KM-500MWH TITLE: B. REFRIGERATION CIRCUIT								
INDEX NO.	DESCRIPTION	PART NUMBER	Required Number					
			L-0	M-0	M-1	M-2	M-3	M-4 N-0
35	COPPER TUBE (J)	4A1815G01	1	1	1	1	1	1
36								
37	ACCESS VALVE TCJ-2F20NHDU-1	457729-01	2	2	2	2	2	2
38	COPPER TUBE (A)-WATER CIRCUIT	3A1251G01	1	1	-	1	-	
		3A2218G01			1	-	1	1
39	COPPER TUBE (B)-WATER CIRCUIT	4A1830G01	1	1	-	1	-	
		4A2681G01			1	-	1	1
40	HOLDER/EXPANSION VALVE-1/2	3A0112-01	1	1	1	1	1	1
40	HOLDER/EXPANSION VALVE-1/2	3A0112-01	1	1	1	1	1	1
41	CLAMP	443461-02	1	1	1	1	1	1
42	EXPANSION VALVE COVER	4A1168-01	1	1	1	1	1	1
43	THERMISTOR	429006-03	1	1	1	1	1	1
44	HOLDER THERMISTOR	427430-01	1	1	1	1	1	1
45	CABLE TIE CV-200(PLT-2M)	7920-0010	12	12	12	12	12	12
46	INSULATION-THERMISTOR(A)	439368-01	1	1	1	1	1	1
47	INSULATION-THERMISTOR(B)	439368-02	1	1	1	1	1	1
48	RUBBER INSULATION (A)	3A1044-01	1	1	1	1	1	1
49	RUBBER INSULATION (B)	3A1045-01	1	1	1	1	1	1
50	INSULATION HOLDER	4A1550-01	1	1	1	1	1	1
51	T2 SCREW 4X8 SUS	7P32-0408	2	2	2	2	2	2
52	INSULATION TUBE L=40	7762-1020	2	2	2	2	2	2
53	INSULATION TUBE L=120	7762-1020	1	1	1	1	1	1
54	INSULATION TUBE L=160	7762-2040	1	1	1	1	1	1
55	WIRE SADDLE	4A0338-02	9	9	9	9	9	9
56								
57	COPPER TUBE-ACCESS VALVE	3A1422G01	1	1	1	1	1	1
58								
59								
60								
61								
62	BRACKET	436893-01	1	1	1	1	1	1
63	T2 SCREW 4X8	7P31-0408	2	2	2	2	2	2
64	VALVE BODY	440352-01	1	1	1	1	1	1
65	COIL VALVE	440353-01	1	1	1	1	1	1
66	BOLT	440353F01	1	1	1	1	1	1
67	TRUSS HEAD SCREW 4X6	7C32-0406	2	2	2	2	2	2
68	COPPER TUBE(E)-HIGH SIDE	3A1397-01	1					
		3A2327-01	1	1	-	1	-	
69	ELBOW	417395-02			1	-	1	1



MODEL: KM-500MRH TITLE: B. REFRIGERATION CIRCUIT								
INDEX NO.	DESCRIPTION	MATERIAL OR MODEL NUMBER	PART NUMBER	REQUIRED NUMBER				
				L-0	M-0	M-1	M-2 N-0	
1	REAR PANEL	GS	220468G03	1	1	1	1	
2	T2 SCREW	4X8	7P31-0408	5	5	5	5	
3	COMPRESSOR	AKA9455ZXA	4A1820-01	1	1	1	1	
4	MOTOR PROTECTOR	8300MRAK30	4A1875-01	1	1	1	1	
5	BOLT	8x45	437889-01	4	4	4	4	
6	SPACER	027-0072-02	434404-01	4	4	4	4	
7	GROMMET	527-0039-04	434403-01	4	4	4	4	
8	COUPLING	-	433751G01	1	1	1	1	
9	COUPLING	-	434136G01	1	1	1	1	
10	TUBE HOLDER-S	-	438246-01	1	1	1	1	
11	TUBE HOLDER-L	-	438245-01	1	1	1	1	
12	T2 SCREW	4X8	7P31-0408	4	4	4	4	
13	RECEIVER TANK	RR KN WP450	437596-01	1	1	1	1	
14	HEX BOLT ASSEMBLY (LF)	5X10, SS	7B0230510	3	3	3	3	
15	DRIER	CW-0325-S	4A1413-01	1	1	x1		
		-	4A2666-01			o1	1	
16	ENDCAP	-	4A1413F01	2	2	2	2	
17	DRIER BRACKET	GS	445847-01	1	1	-		
	NYLON TIE	-	8911-0301			1	1	
18	T2 SCREW	4X8	7P31-0408	1	1	-		
19	EXPANSION VALVE	AN3/4 SW65	4A1870-01	1	1	1	1	
20	EVAPORATOR	-	106492G01	1	1	1	1	
21	T2 SCREW	4X16, SS	7P32-0416	4	4	4	4	
22	PRESSURE SWITCH	ACB-1UB09	433441-07	1	1	1	1	
23	PRESSURE SWITCH BRACKET	GS	434938-01	1	1	1	1	
24	T2 SCREW	4X8	7P31-0408	1	1	1	1	
25	COPPER TUBE ACCESS VALVE	COPPER	3A1422G01	1	1	1	1	
26	ACCESS VALVE	-	457729-01	1	1	1	1	

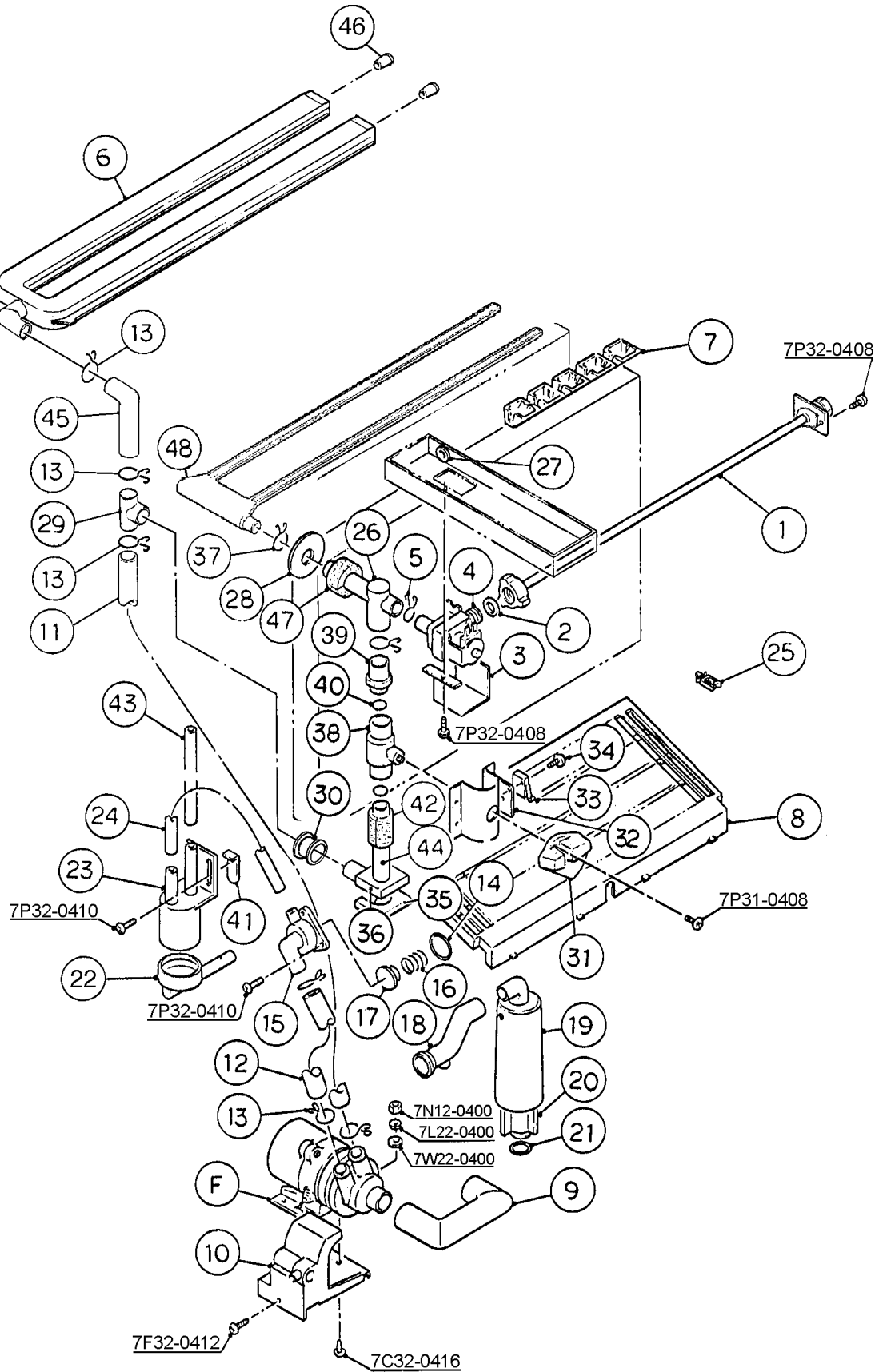
MODEL: KM-500MRH TITLE: B. REFRIGERATION CIRCUIT								
INDEX NO.	DESCRIPTION	MATERIAL OR MODEL NUMBER	PART NUMBER	REQUIRED NUMBER				
				L-0	M-0	M-1	M-2 N-0	
27	VALVE BRACKET	-	436893-01	1	1	1	1	
28	T2 SCREW	4X8	7P31-0408	2	2	2	2	
29	VALVE BODY	70	440352-01	1	1	1	1	
30	COIL - VALVE	ABS-25-1-HD- 2	440353-01	2	2	2	2	
31	BOLT	4X6	440353F01	2	2	2	2	
32	TRUSS HEAD SCREW	4X8	7C31-0408	4	4	4	4	
33	COPPER TUBE (A) - HIGH SIDE	COPPER	2A1435G01	1	1	1	1	
34	COPPER TUBE (B) - HIGH SIDE	COPPER	3A1286G01	1	1	1	1	
35	COPPER TUBE (D) - HIGH SIDE	COPPER	3A1238G01	1	1	1	1	
36	COPPER TUBE (E) - HIGH SIDE	COPPER	332445-01	1	1	1	1	
37	COPPER TUBE (F) - HIGH SIDE	COPPER	4A1862-01	1	1	-		
		COPPER	4A2768-01			1	1	
38	COPPER TUBE (G) - HIGH SIDE	COPPER	3A1287G01	1	1	1	1	
39	HEAT EXCHANGER	-	2A1367G01	1	1	1	1	
40	ELBOW	COPPER	417395-03	1	1	1	1	
41	COPPER TUBE - HOT GAS	COPPER	2A1466G01	1	1	1	1	
42	EVACUATION TUBE	COPPER	4A1866-01	1	1	1	1	
43	HOLDER / EXP. VALVE – 1/2	SS	3A0112-01	1	1	1	1	
44	CLAMP	SS	443461-02	1	1	1	1	
45	EXPANSION VALVE COVER	PE FOAM	4A1168-01	1	1	1	1	
46	THERMISTOR	-	429006-03	1	1	1	1	
47	HOLDER - THERMISTOR	COPPER	427430-01	1	1	1	1	
48	CABLE TIE	-	7920-0010	7	7	7	7	
49	INSULATION - THERMISTOR (A)	PE FOAM	439368-01	1	1	1	1	
50	INSULATION - THERMISTOR (B)	PE FOAM	439368-02	1	1	1	1	
51	RUBBER INSULATION (A)	EPDM	3A1044-01	1	1	1	1	
52	RUBBER INSULATION (B)	EPDM	3A1045-01	1	1	1	1	
53	INSULATION HOLDER		4A1550-01	1	1	1	1	
54	T2 SCREW	4X8, SS	7P32-0408	2	2	2	2	

HA

KM-500MAH, MWH, MRH

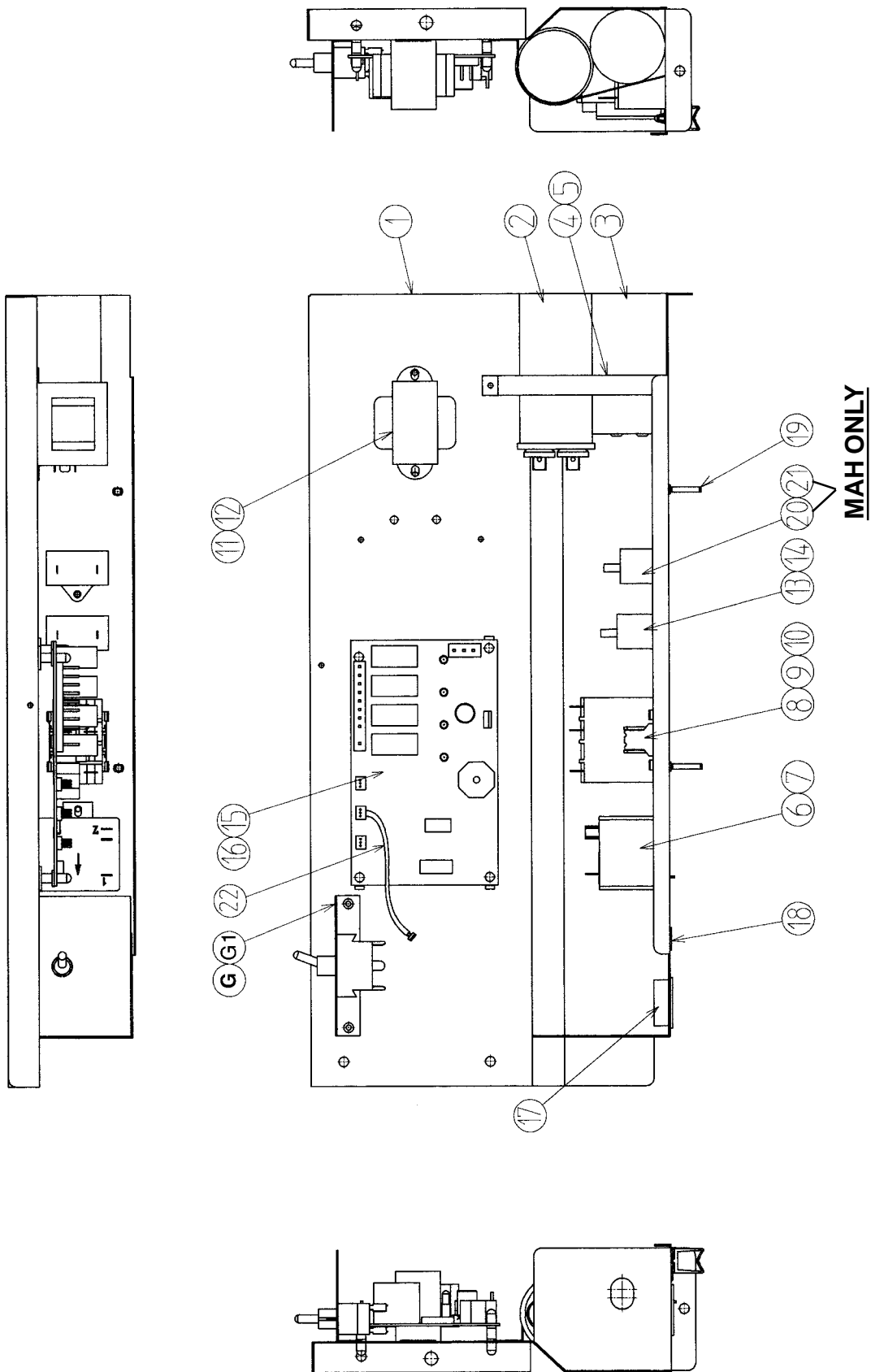
C. WATER CIRCUIT

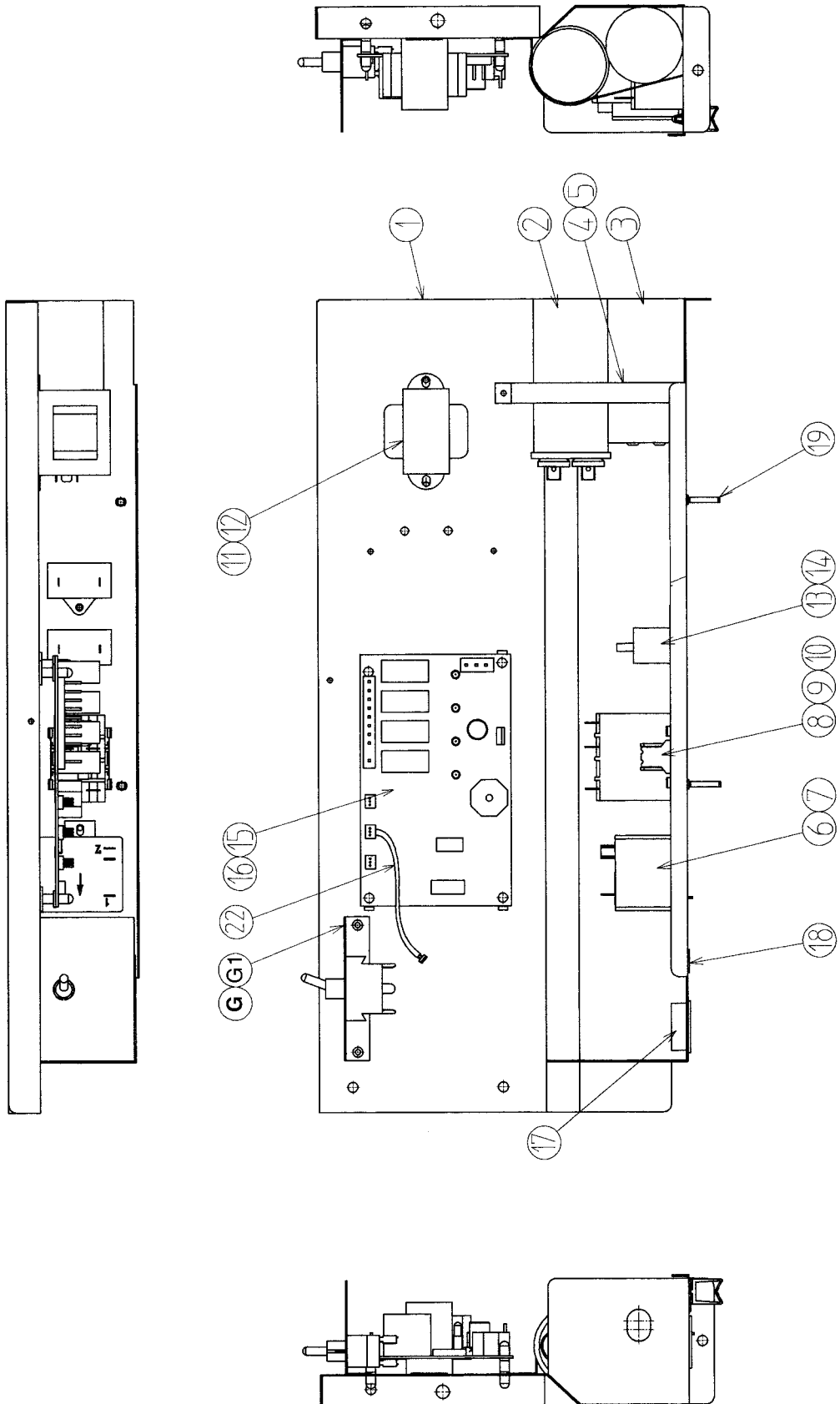
L-0, M-0, M-1, M-2, M-3, M-4, N-0

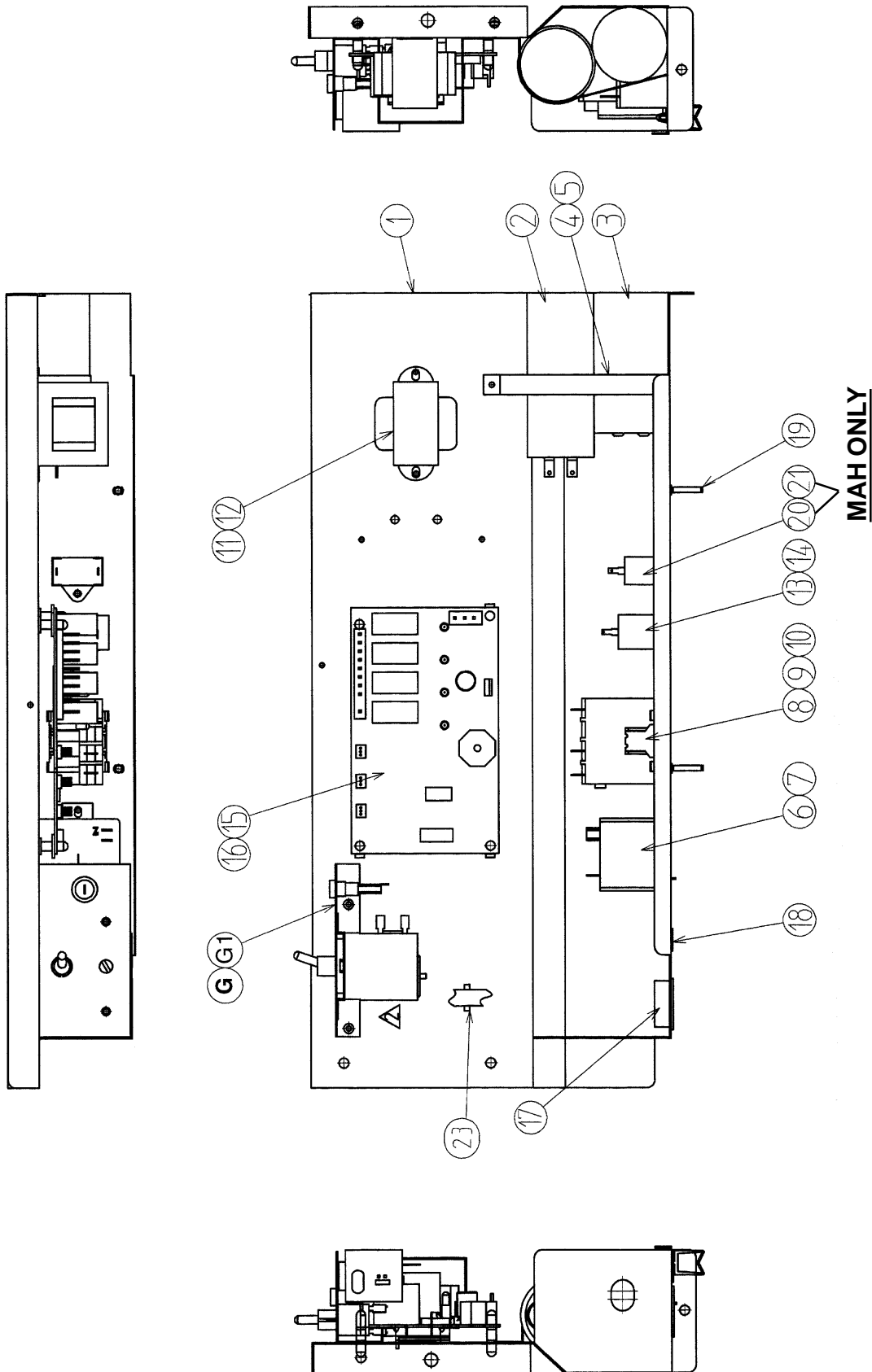


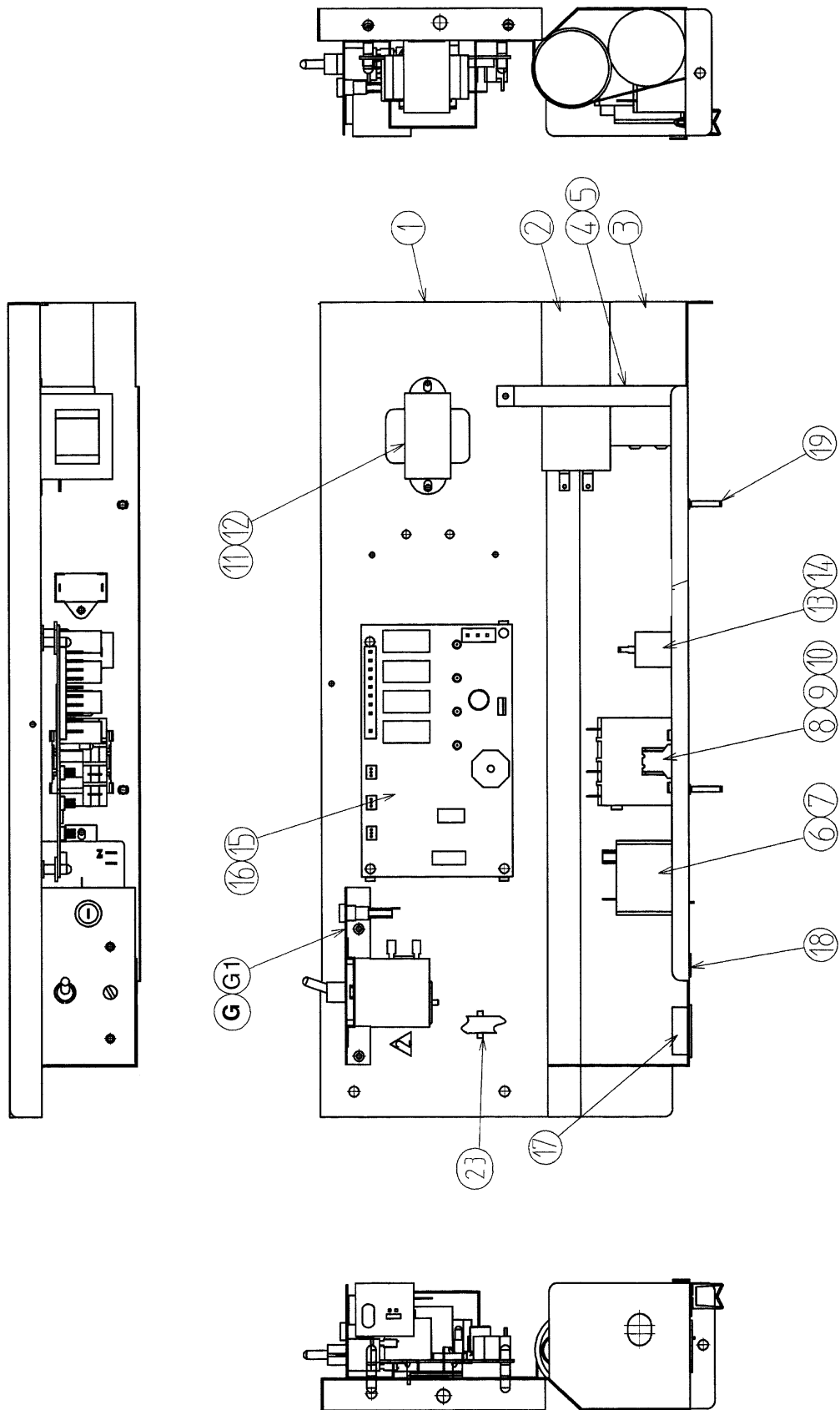
MODEL: KM-500MAH, MWH, MRH TITLE: C. WATER CIRCUIT								
INDEX NO.	DESCRIPTION	MATERIAL OR MODEL NUMBER	PART NUMBER	REQUIRED NUMBER				
				L-0 M-0	M-1	M-2	M-3	M-4 N-0
F	PUMP MOTOR ASSEMBLY	-	321444A01	1	1	1	1	1
	TRUSS HEAD SCREW	4X16, SS	7C32-0416	1	1	1	1	1
	FLAT WASHER	M4, SS	7W22-0400	1	1	1	1	1
	SPLIT LOCK WASHER	M4, SS	7L22-0400	1	1	1	1	1
	HEX NUT	M4, SS	7N12-0400	1	1	1	1	1
1	WATER SUPPLY PIPE	COPPER	4A0768G04	1	1	1	1	1
	T2 SCREW	4X8	7P31-0408	2	2	2	2	2
2	RUBBER GASKET	NR	413854-03	1	1	1	1	1
3	WATER VALVE BRACKET	GS	321443-01	1	1	1	1	1
	T2 SCREW	4X8	7P31-0408	1	1	1	1	1
4	WATER VALVE	J248-033	3U0111-03	1	1	1	1	1
5	HOSE CLAMP	SS, 18MM	427443-05	1	1	1	1	1
6	SPRAY TUBE	PE	1A0260-02	1	1	1	1	1
7	SPRAY GUIDE (A)	PE	208586-01	6	6	6	6	6
8	CUBE GUIDE	ABS	212088-01	1	1	1	1	1
9	SUCTION HOSE	EPDM	433466-01	1	1	1	1	1
10	PUMP MOTOR BRACKET	PC	211408-01	1	1	1	1	1
	FLAT HEAD SCREW	4X12, SS	7F32-0412	1	1	1	1	1
11	VINYL HOSE	L=250+10/-0	7716-2025	1	1	1	1	1
12	VINYL HOSE	L=110	7716-2025	1	1	1	1	1
13	HOSE CLAMP	SS, 25MM	427443-03	9	9	9	9	9
14	"O" RING	1AG35	7611-G035	1	1	1	1	1
15	VALVE HOUSING - DRAIN	ABS	321001-01	1	1	1	1	1
	T2 SCREW	4X10, SS	7P32-0410	3	3	3	3	3
16	SPRING	SS	322110-01	1	1	1	1	1
17	VALVE SHEET	EPDM	433705-01	1	1	1	1	1
18	DRAIN HOSE	SANTOPREN E	433468-01	1	1	1	1	1
19	OVERFLOW CAP	PE	321002-01	1	1	1	1	1
20	OVERFLOW PIPE	ABS	430722-03	1	1	1	1	1

MODEL: KM-500MAH, MWH, MRH TITLE: C. WATER CIRCUIT								
INDEX NO.	DESCRIPTION	MATERIAL OR MODEL NUMBER	PART NUMBER	REQUIRED NUMBER				
				L-0 M-0	M-1	M-2	M-3	M-4 N-0
21	"O" RING	EPDM	4A1234-01	1	1	1	1	1
22	CONNECTOR – FLOAT SWITCH	EPDM	426799-01	1	1	1	1	1
23	FLOAT SWITCH	163795	4A0886-01	1	1	1	1	1
	T2 SCREW	4X12, SS	7P32-0412	2	2	2	2	2
24	SILICONE HOSE	L=140	7730I3896	1	1	1	1	1
25	WIRE SADDLE	VWS4238-C	4A0338-02	4	4	4	4	4
26	TEE	SANTOPREN E	4A0177-01	1	1	1	1	1
27	BUSHING	OCB-750	428394-01	1	1	1	1	1
28	FLANGE	EPDM	439267-01	1	1	1	1	1
29	DISTRIBUTOR	EPDM	432426-01	1	1	1	1	1
30	RUBBER RING	EPDM	439236-01	1	1	1	1	1
31	HANDLE	JH1352	215383-01	1	1	1	1	1
	T2 SCREW	4X8	7P31-0408	1	1	1	1	1
32	VALVE HOLDER	GS	3A1178-01	1	1	1	1	1
	FT SCREW	4X8	7F31-0408	3	3	3	3	3
33	MICROSWITCH	V3L-111-D8	4A0365-01	1	x1			
		-	4A2546-01		o1	1	1	1
34	TAPPING SCREW	3X14	431415-02	2	2	2	2	2
35	CORNER INSULATION (A)	PE FOAM	439376-01	1	1	1	1	1
36	CORNER INSULATION (B)	PE FOAM	439392-01	1	1	1	1	1
37	HOSE CLAMP	SS, 20 MM	427443-06	1	1	1	1	1
38	BALL VALVE	(S-0761), PVC	439293-01	1	1	1	1	1
39	MALE ADAPTOR	ABS	325826-01	2	2	2	2	2
40	"O" RING	1AP18	7611-P018	2	2	2	2	2
41	FLOAT SWITCH STOP	SS	4A0137-01	1	1	1	1	1
42	INSULATION TUBE	L=190	7762-2636	1	1	1	1	1
43	SILICONE HOSE	L=140	7730I3812	1	1	1	1	1
44	RUBBER HOSE (D)	EPDM	4A1551-04	1	1	1	1	1



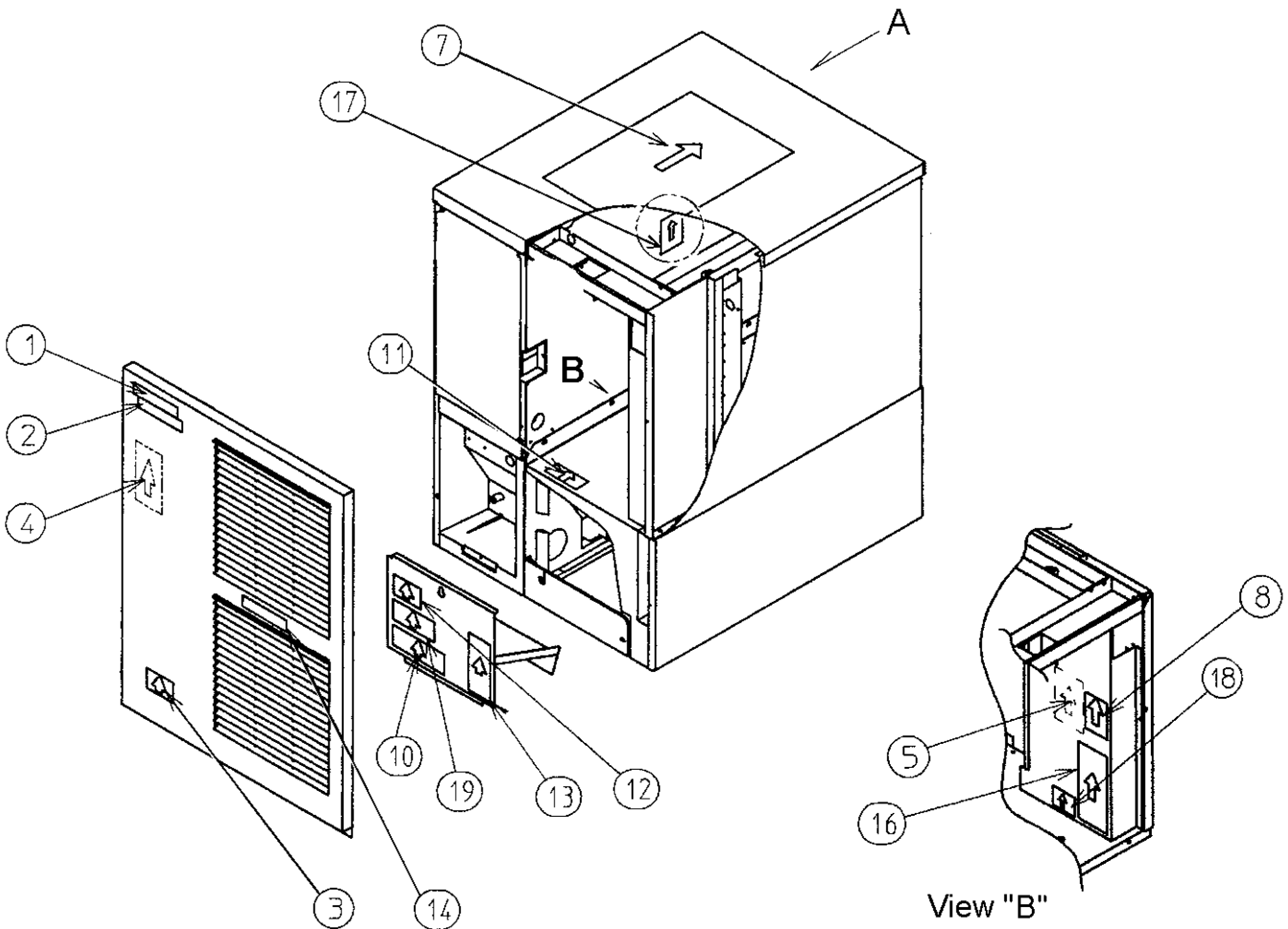
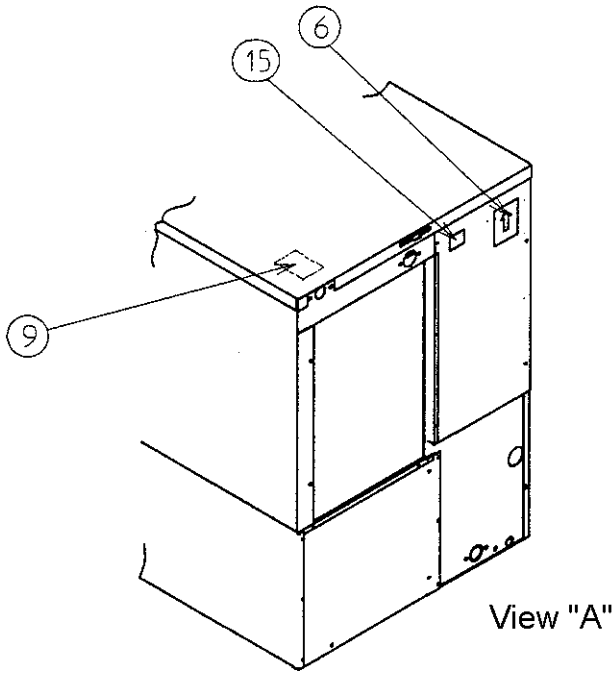


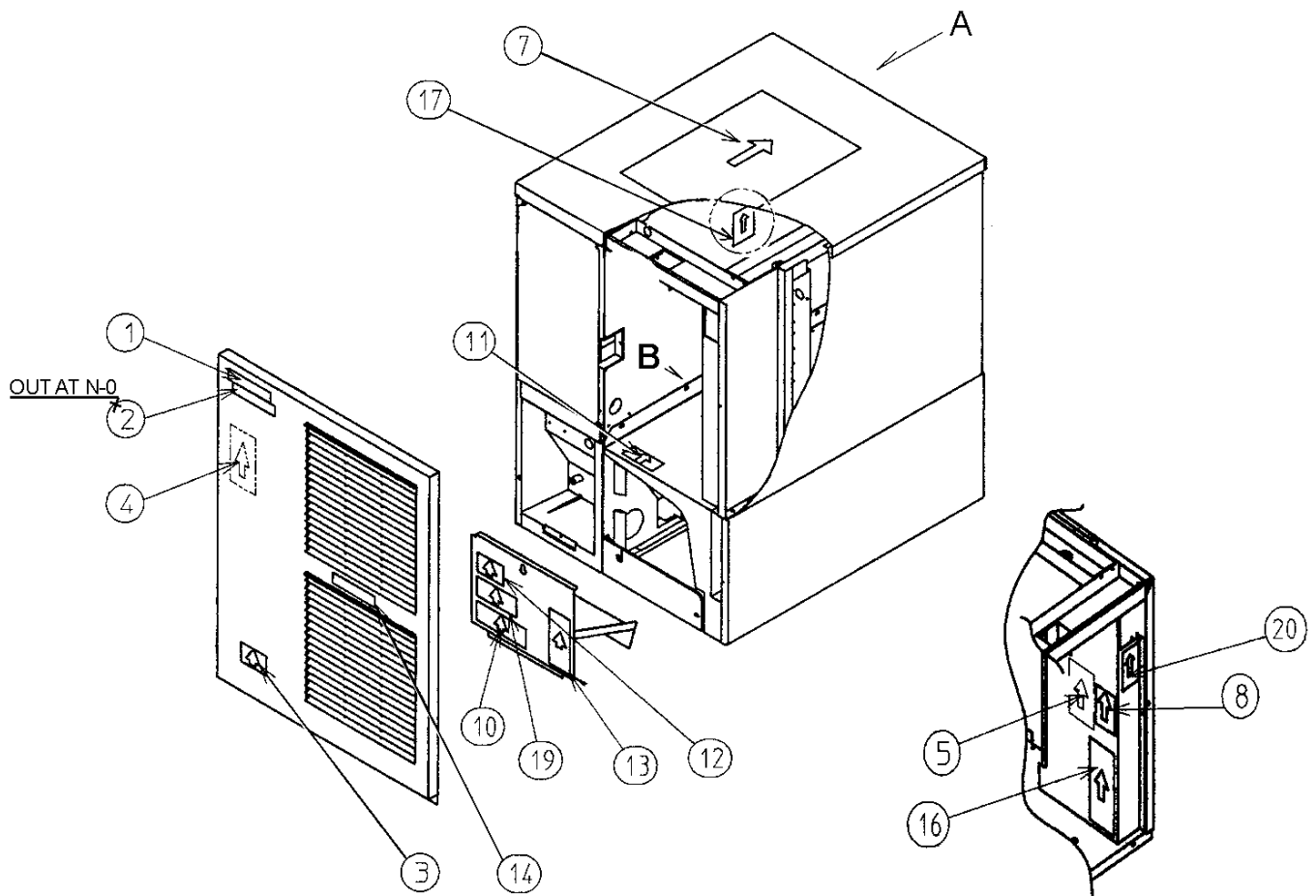
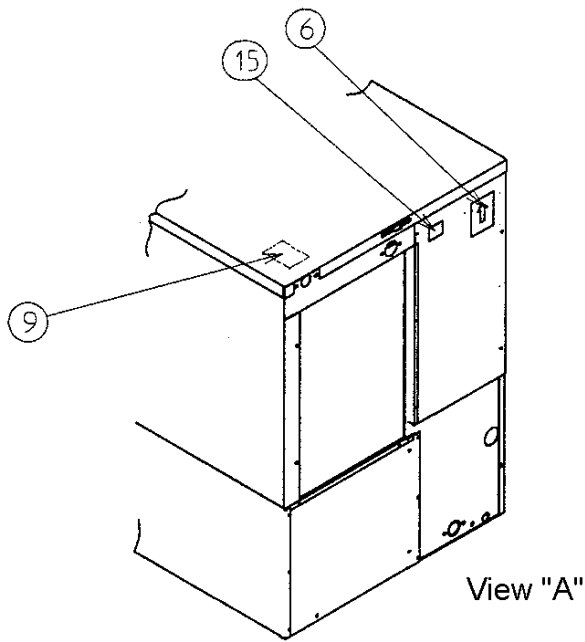




MODEL: KM-500MAH, MRH TITLE: D. CONTROL BOX ASSEMBLY								
INDEX NO.	DESCRIPTION	MATERIAL OR MODEL NUMBER	PART NUMBER	REQUIRED NUMBER				
				L-0	M-0	M-1	M-2 N-0	
G	CONTROL ASSEMBLY	-	4A2513A01	1	1	1	-	
		-	4A2911A01				1	
G1	T2 SCREW	4X8	7P31-0408	2	2	2	2	
1	CONTROL BOX	-	2A1851-01	1	1	1	1	
2	CAPACITOR – RUN	25MFD, 370 VAC	3A2005-06	1	1	1	1	
3	CAPACITOR – STARTING	72-86 MFD, 250 VAC,	3A0076-15					
4	STRAP	GS	4A2262-02	1	1	1	1	
5	T2 SCREW	4X8	7P31-0408	1	1	1	1	
6	STARTER	GE3ARR3CT3T P5	4A1107-04	1	1	1	1	
7	T2 SCREW	4X8	7P31-0408	1	1	1	1	
8	MAGNETIC CONTACTOR	VC-20	428393-01	1	1	1	1	
9	BRACKET		428393F01	1	1	1	1	
10	T2 SCREW	4X8	7P31-0408	2	2	2	2	
11	TRANSFORMER	26D285H	3A0172-01	1	1	1	1	
12	T2 SCREW	4X8	7P31-0408	2	2	2	2	
13	CAPACITOR	250 VAC, 5.5 MFD	443192-03	1	1	1	1	
14	T2 SCREW	4X10	7P31-0410	1	1	1	1	
15	CONTROLLER BOARD	HOS-001A	2A1410-01	1	1	1	1	
16	BOARD SUPPORT	CBLS37-M	4A0336-03	4	4	4	4	
17	BUSHING	SB-1093-15	420470-03	1	1	1	1	
18	BUSHING	OCB-500	428394-02	1	1	1	1	
19	WIRE SADDLE	-	4A0338-02	2	2	2	x2	
	CLAMP	-	4A2338-01				o2	

MODEL: KM-500MWH TITLE: D. CONTROL BOX ASSEMBLY								
INDEX NO.	DESCRIPTION	MATERIAL OR MODEL NUMBER	PART NUMBER	REQUIRED NUMBER				
				L-0 M-0	M-1	M-2	M-3	M-4 N-0
G	CONTROL ASSEMBLY	-	4A2513A01	1	1	1	1	-
		-	4A2911A01					1
G1	T2 SCREW	4X8	7P31-0408	2	2	2	2	2
1	CONTROL BOX	-	2A1851-01	1	1	1	1	1
2	CAPACITOR – RUN	25MFD, 370 VAC	3A2005-06	1	1	1	1	1
3	CAPACITOR – STARTING	72-86 MFD, 250 VAC,	3A0076-15					
4	STRAP	GS	4A2262-02	1	1	1	1	1
5	T2 SCREW	4X8	7P31-0408	1	1	1	1	1
6	STARTER	GE3ARR3CT3T P5	4A1107-04	1	1	1	1	1
7	T2 SCREW	4X8	7P31-0408	1	1	1	1	1
8	MAGNETIC CONTACTOR	VC-20	428393-01	1	1	1	1	1
9	BRACKET		428393F01	1	1	1	1	1
10	T2 SCREW	4X8	7P31-0408	2	2	2	2	2
11	TRANSFORMER	26D285H	3A0172-01	1	1	1	1	1
12	T2 SCREW	4X8	7P31-0408	2	2	2	2	2
13	CAPACITOR	250 VAC, 5.5 MFD	443192-03	1	1	1	1	1
14	T2 SCREW	4X10	7P31-0410	1	1	1	1	1
15	CONTROLLER BOARD	HOS-001A	2A1410-01	1	1	1	1	1
16	BOARD SUPPORT	CBLS37-M	4A0336-03	4	4	4	4	4
17	BUSHING	SB-1093-15	420470-03	1	1	1	1	1
18	BUSHING	OCB-500	428394-02	1	1	1	1	1
19	WIRE SADDLE	-	4A0338-02	2	2	2	2	x2
	CLAMP	-	4A2338-01					o2





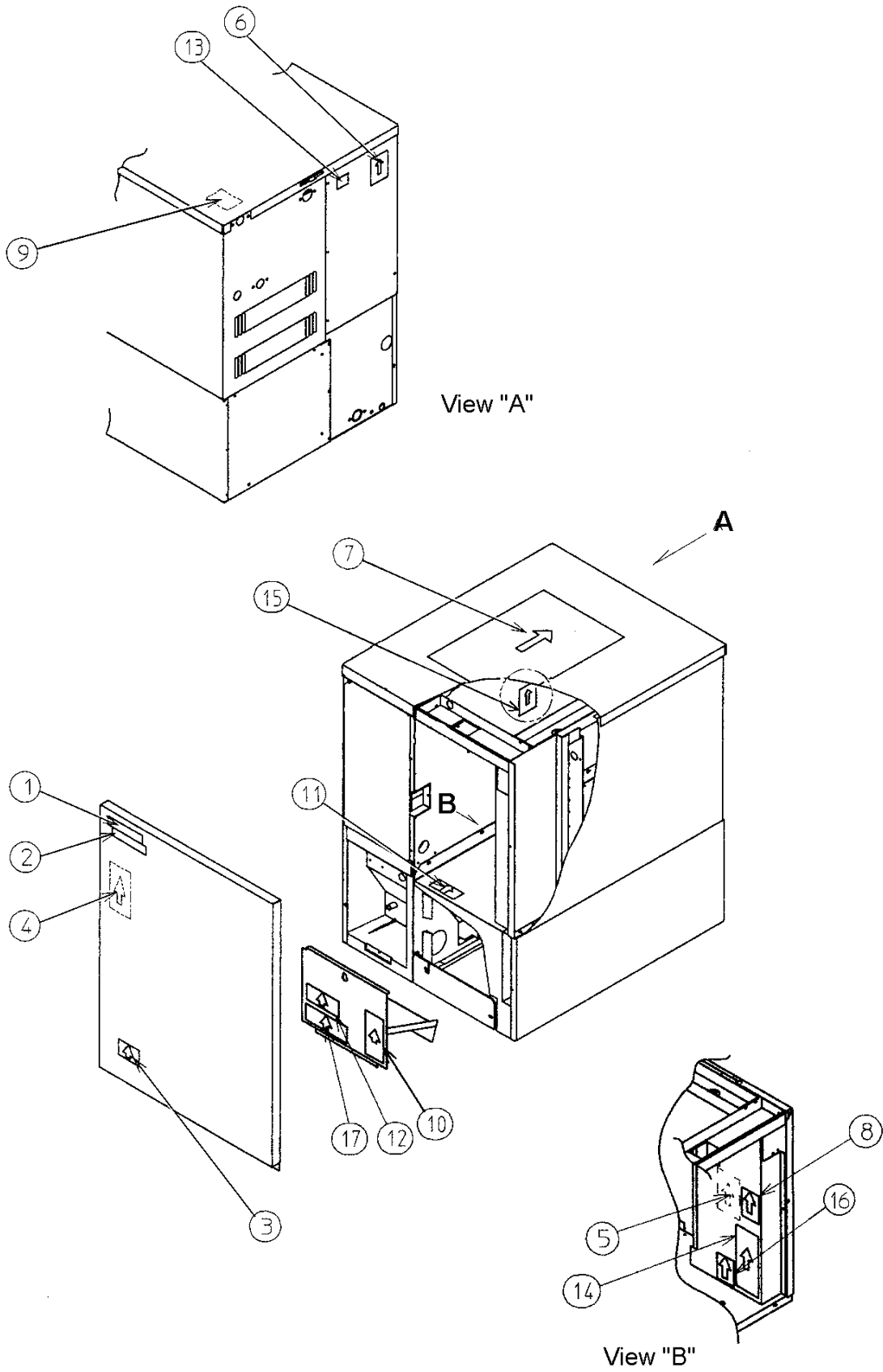
MODEL: KM-500MAH TITLE: E. LABEL LOCATION								
INDEX NO.	DESCRIPTION	MATERIAL OR MODEL NUMBER	PART NUMBER	REQUIRED NUMBER				
				L-0	M-0	M-1	M-2	N-0
1	EMBLEM	PETP FILM	4A0560-01	1	1	1	1	1
2	MODEL NUMBER LABEL	PETP FILM	4A2356-37	1	1	1	1	-
3	LABEL – PENGUIN – HA (R)	PETP FILM	4A0526-01	1	1	1	1	1
4	MAINTENANCE LABEL	PVC FILM	326218-01	1	1	1	1	1
5	WIRING LABEL	PVC FILM	3A1984-01	1	1	1	-	
		PVC FILM	3A2415-01				1	1
6	NAMEPLATE	PES FILM	4A2399-01	1	1	1	x1	
		PES FILM	2A2622-01				o1	1
7	INSTRUCTION SHEET	PAPER	2A2143-01	1	1	1	1	1
8	MANUAL LABEL	PVC FILM	4A2530-01	1	1	1	-	
		PVC FILM	446564-01				1	1
9	TAG – WARNING: ELECTRICAL CONNECTION	PAPER	435005-01	1	1	1	1	1
10	OPERATION LABEL – VALVE	PVC FILM	439541-01	1	1	1	1	1
11	LABEL – R404A	PES FILM	4A0960-01	1	1	1	1	1
12	CAUTION LABEL (F)	PVC FILM	439146-01	1	1	1	1	1
13	CAUTION LABEL (H)	PVC FILM	439148-01	1	1	1	1	1
14	LABEL – AIR FILTER	PETP FILM	426177-01	1	1	1	1	1
15	INSTRUCTION LABEL	PVC FILM	444575-01	1	1	1	1	1
16	LABEL – CONTROL BOARD	PVC FILM	3A2220-01	1	1	1	1	1
17	RATING LABEL	PES FILM	4A2407-01	1	1	1	x1	
		-	2A2623-01				o1	1
18	LABEL (B) CONTROL BOARD	-	4A2528-01	1	-			
19	LABEL – BIN CONTROL	-	4A2692-01	1	1	1	-	
20	LABEL – FUSE	-	4A2817-01				1	1

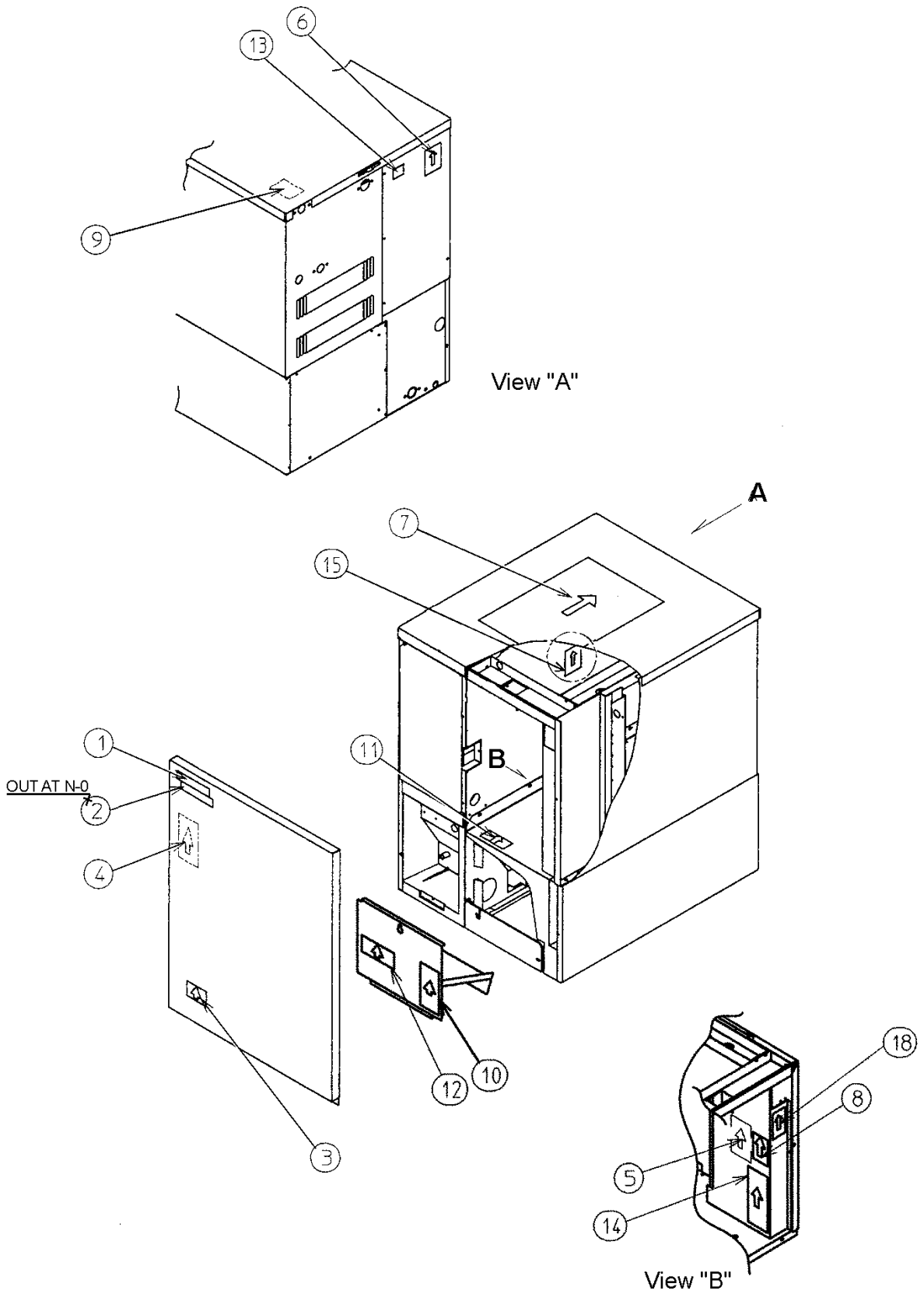
HA

KM-500MWH

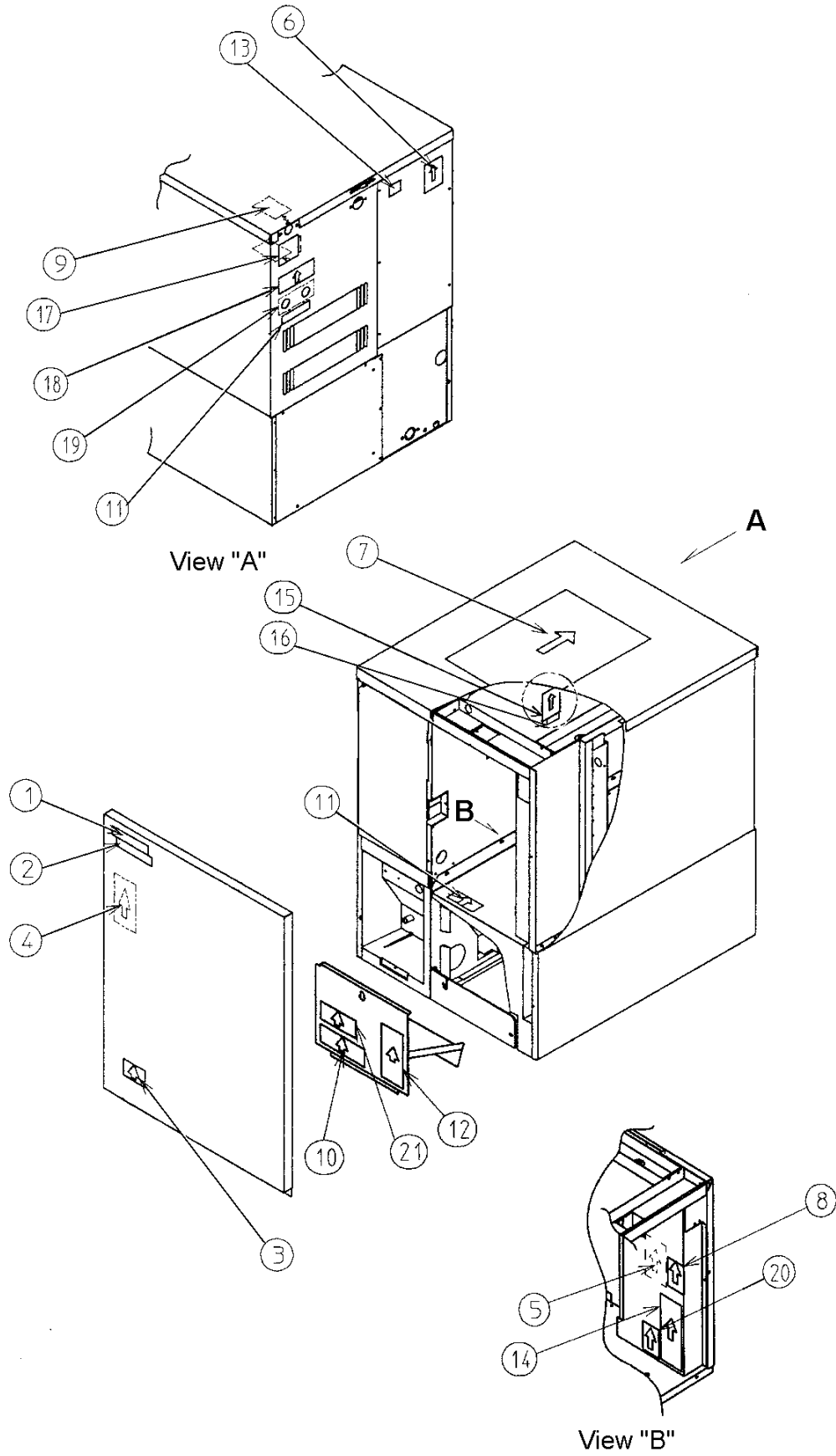
E. LABEL LOCATION

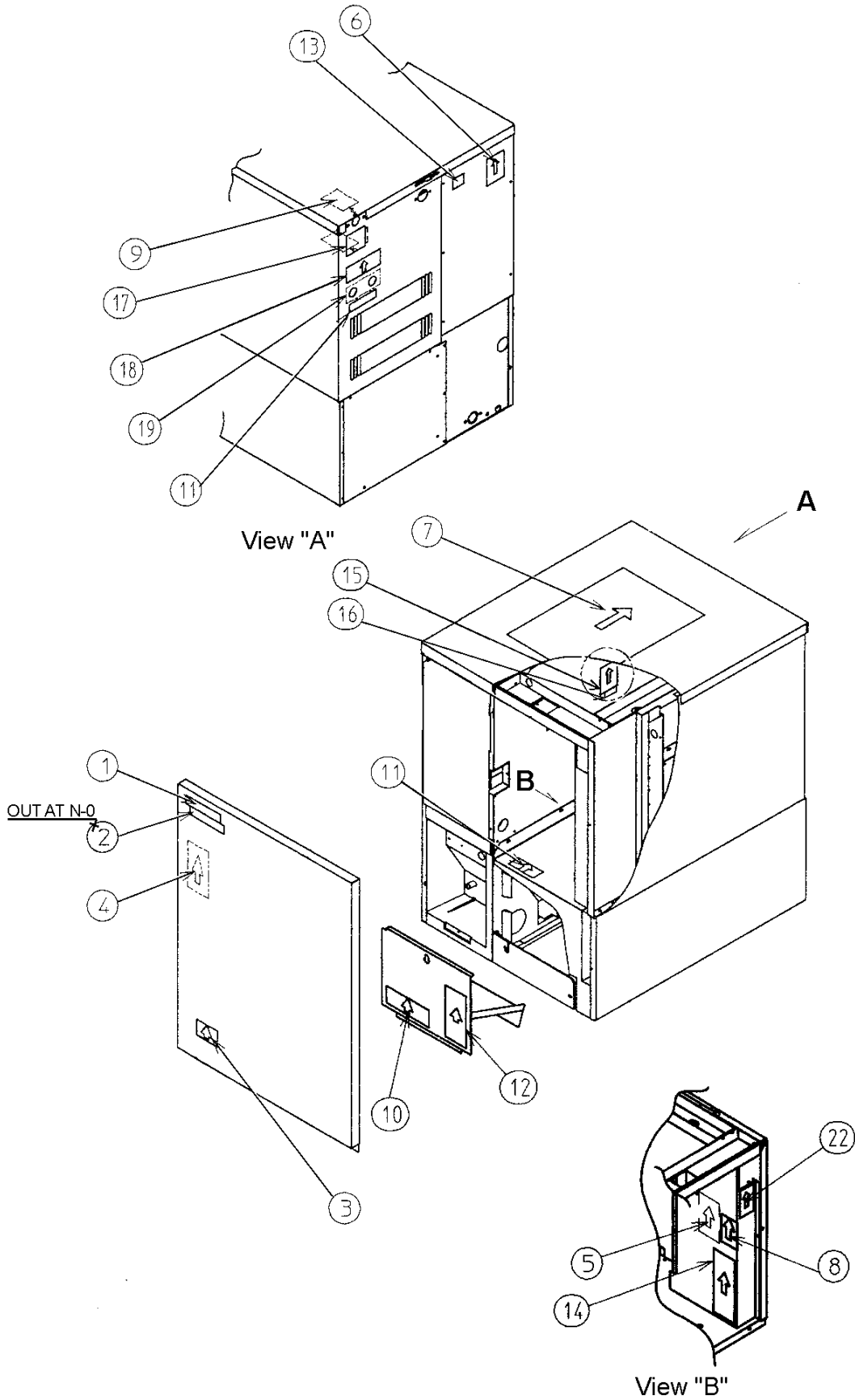
L-0, M-0, M-1, M-2, M-3





MODEL: KM-500MWH TITLE: E. LABEL LOCATION								
INDEX NO.	DESCRIPTION	MATERIAL OR MODEL NUMBER	PART NUMBER	REQUIRED NUMBER				
				L-0 M-0	M-1	M-2	M-3	M-4 N-0
1	EMBLEM	PETP FILM	4A0560-01	1	1	1	1	1
2	MODEL NUMBER LABEL	PETP FILM	4A2356-38	1	1	1	1	1
3	LABEL – PENGUIN – HA (R)	PETP FILM	4A0526-01	1	1	1	1	1
4	MAINTENANCE LABEL	PVC FILM	326218-01	1	1	1	1	1
5	WIRING LABEL	PVC FILM	3A1984-01	1	1	1	1	-
		PVC FILM	3A2415-01					1
6	NAMEPLATE	PES FILM	4A2400-01	1	1	1	1	x1
		-	2A2622-01					o1
7	INSTRUCTION SHEET	PAPER	2A2143-01	1	1	1	1	1
8	MANUAL LABEL	PVC FILM	4A2530-01	1	1	1	1	-
		PVC FILM	446564-01					1
9	TAG – WARNING: ELECTRICAL CONNECTION	PAPER	435005-01	1	1	1	1	1
10	OPERATION LABEL – VALVE	PVC FILM	439541-01	1	1	1	1	1
11	LABEL – R404A	PES FILM	4A0960-01	1	1	1	1	1
12	CAUTION LABEL (H)	PVC FILM	439148-01	1	1	1	1	1
13	INSTRUCTION LABEL	PVC FILM	444575-01	1	1	1	1	1
14	LABEL – CONTROL BOARD	PVC FILM	3A2220-01	1	1	1	1	1
15	RATING LABEL	PES FILM	4A2408-01	1	1	1	1	x1
		-	2A2623-02					o1
16	LABEL (B) CONTROL BOARD	-	4A2528-01	1	-			
17	LABEL – BIN CONTROL	-	4A2692-01	1	1	1	1	-
18	LABEL – FUSE	-	4A2817-01					1

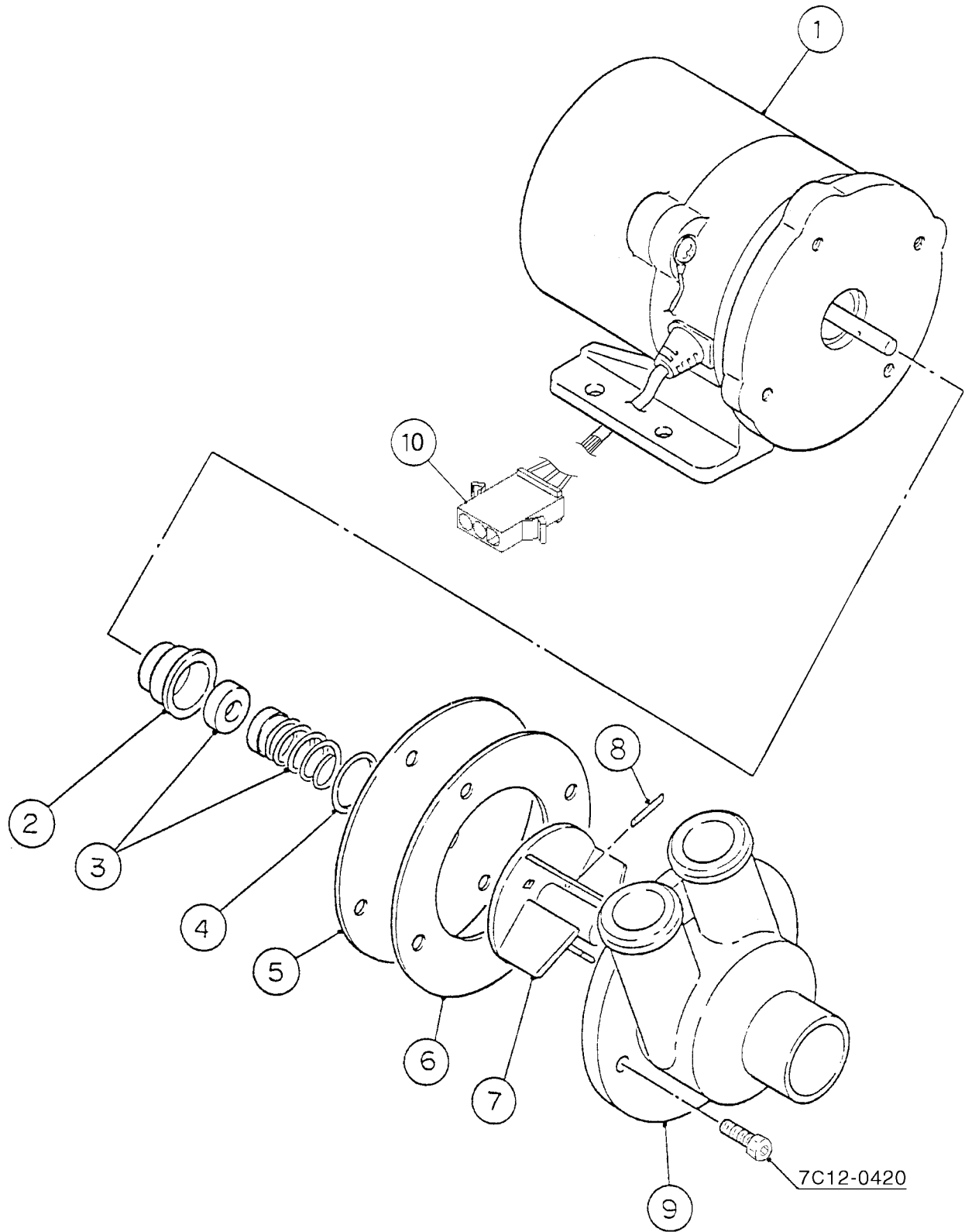


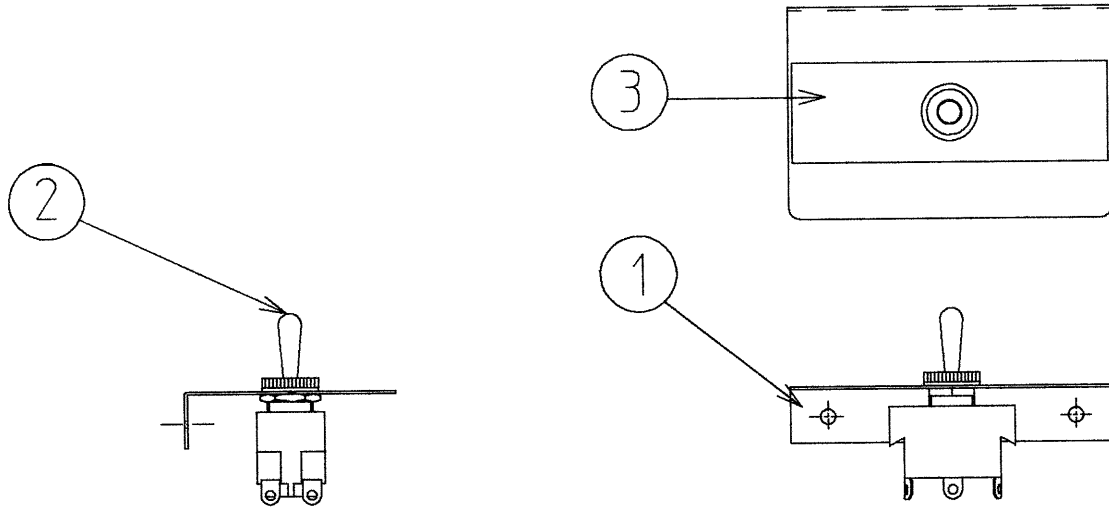


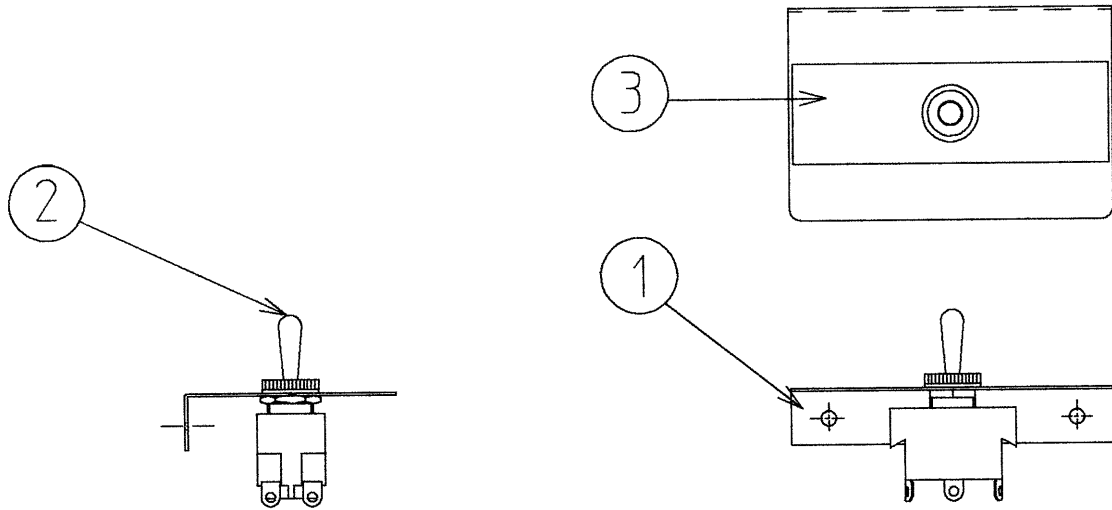
MODEL: KM-500MRH TITLE: E. LABEL LOCATION								
INDEX NO.	DESCRIPTION	MATERIAL OR MODEL NUMBER	PART NUMBER	REQUIRED NUMBER				
				L-0	M-0	M-1	M-2 N-0	
1	EMBLEM	PETP FILM	4A0560-01	1	1	1	1	
2	MODEL NUMBER LABEL	PETP FILM	4A2356-39	1	1	1	1	
3	LABEL – PENGUIN – HA (R)	PETP FILM	4A0526-01	1	1	1	1	
4	MAINTENANCE LABEL	PVC FILM	326218-01	1	1	1	1	
5	WIRING LABEL	PVC FILM	3A2000-01	1	1	1	-	
		-	3A2416-01				1	
6	NAMEPLATE	PES FILM	4A2401-01	1	1	1	x1	
		PES FILM					o1	
7	INSTRUCTION SHEET	PAPER	2A2143-01	1	1	1	1	
8	MANUAL LABEL	PVC FILM	4A2530-01	1	1	1	-	
		PVC FILM	446564-01				1	
9	TAG – WARNING: ELECTRICAL CONNECTION	PAPER	435005-01	1	1	1	1	
10	OPERATION LABEL – VALVE	PVC FILM	439541-01	1	1	1	1	
11	LABEL – R404A	PES FILM	4A0960-01	2	2	2	2	
12	CAUTION LABEL (H)	PVC FILM	439148-01	1	1	1	1	
13	INSTRUCTION LABEL	PVC FILM	444575-01	1	1	1	1	
14	LABEL – CONTROL BOARD	PVC FILM	3A2220-01	1	1	1	1	
15	RATING LABEL	PES FILM	4A2409-01	1	1	1	x1	
		-	2A2623-03				o1	
16	LABEL – CHARGE	-	4A1399-10	1	1	1	1	
17	TAG – FAN MOTOR LEADS	-	4A1494-01	1	1	1	1	
18	CAUTION – REMOTE LABEL	-	4A1491-01	1	1	1	1	
19	CAUTION TAPE – 404A	L=250	4A1535L01	1	1	1	1	
20	LABEL (B) CONTROL BOARD	-	4A2528-01	1	-			
21	LABEL – BIN CONTROL	-	4A2692-01	1	1	1	-	
22	LABEL – FUSE	-	4A2817-01				1	

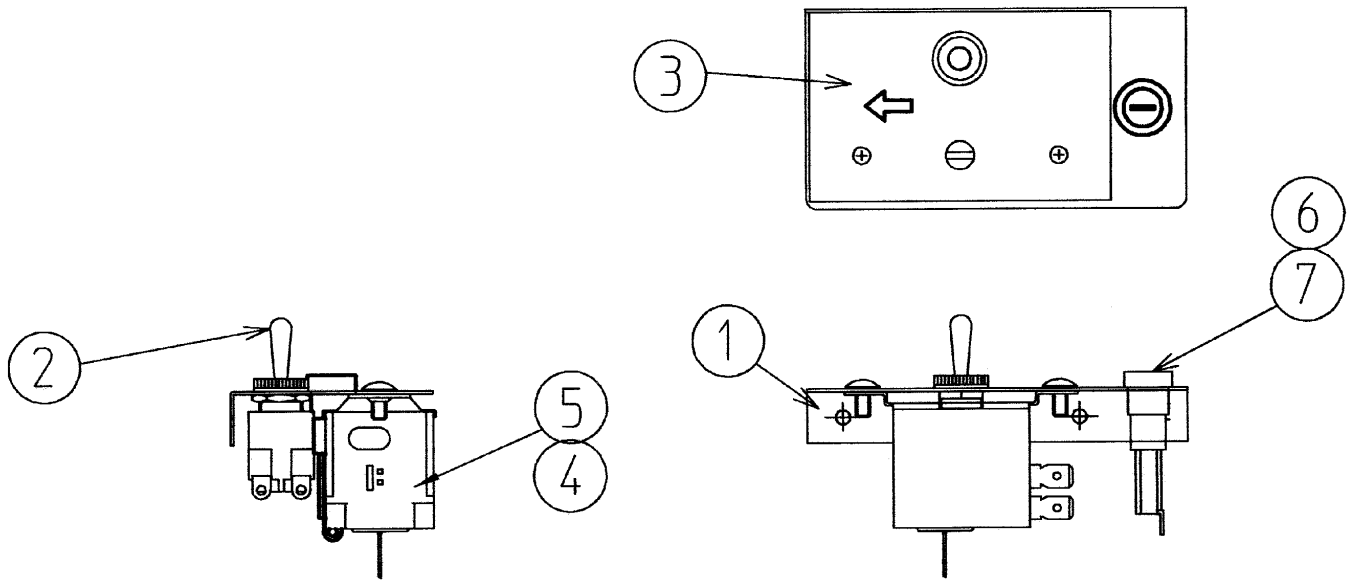
HA

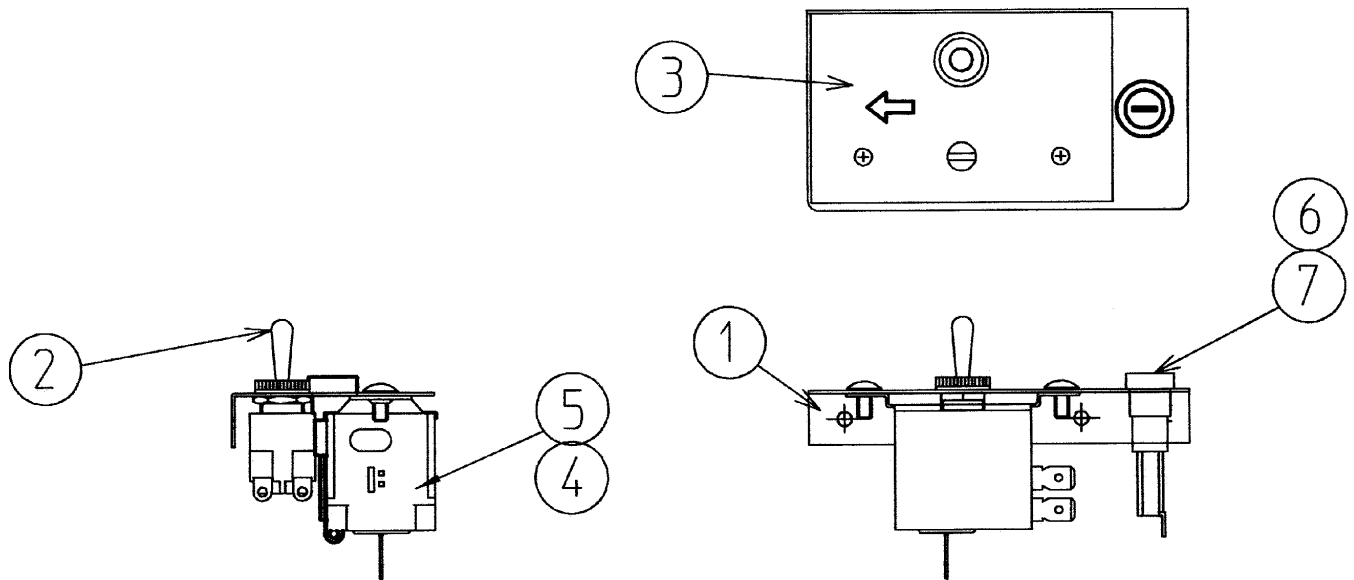
KM-500MAH, MWH, MRH F. PUMP MOTOR ASSEMBLY L-0, M-0, M-1, M-2, M-3, M-4, N-0











MODEL: KM-500MAH, MRH TITLE: H. ACCESSORIES								
INDEX NO.	DESCRIPTION	MATERIAL OR MODEL NUMBER	PART NUMBER	REQUIRED NUMBER				
				L-0	M-0	M-1	M-2	N-0
1	INSTRUCTION MANUAL	PAPER	91A1MF10B	1	1	1	-	
		PAPER	91A1MF10C				1	1
2	UNIVERSAL BRACE	GS	4A0363-01	2	2	2	2	2
3	HEX HEAD BOLT	5X12, SS	7B02-0512	4	4	4	4	4
	PACKAGING (on models currently in production)		2A2145A02					
	PALLET		2A0853-01	1	1	1	1	1
	WOOD BLOCK – B		4A0004-02	3	3	3	3	3
	TRAY		2A2173-02	1	1	1	1	1
	SIDE PROTECTOR		4A2304-01	3	3	3	3	3
	CORNER POST		3A0788-10	2	2	2	2	2
	WOOD BLOCK – C		4A0004-03	1	1	1	1	1
	CORNER POST		3A0788-03	4	4	4	4	4
	SIDE PROTECTOR		4A2304-02	1	1	1	1	1
	CARTON		2A2125-03	1	1	1	1	1