

NO. U1HE 744

EFFECTIVE: DEC. 1, 1987

REVISED: SEPT. 28, 1989



PARTS LIST

MODULAR CRESCENT CUBER

KM-452 SERIES

H-1 DEC. 1987

J-1 DEC. 1988

J-2 OCT. 1989

HOSHIZAKI AMERICA, INC.

FASTENER ABBREVIATION LIST

	Japanese	English
ST	トラス小ねじ	Phillips Truss Head Machine Screw
SP	ナベ小ねじ	Phillips Pan Head Machine Screw
SF	皿小ねじ	Phillips Flat Head Machine Screw
SS	組小ねじS	Phillips Pan Head Machine Screw with Split Lock Washer
SW	組小ねじSW	Phillips Pan Head Machine Screw with Split Lock Washer and Flat Washer
T1	T1ねじ	Phillips Truss Head Tapping Screw (Correspond to Type A)
T2	T2ねじ	Phillips Truss Head Tapping Screw (Correspond to Type B)
T3	T3ねじ	Phillips Truss Head Tapping Screw (Correspond to Type C)
FT	FTねじ	Phillips Truss Head Tapping Screw (Special)
BH	六角ボルト	Hexagon Head Bolt
BC	六角穴付きボルト	Socket Head Cap Screw
BS	組ボルトS	Hexagon Bolt with Split Lock Washer
BW	組ボルトSW	Hexagon Bolt with Split Lock Washer and Flat Washer
BF	フランジボルト	Hexagon Flange Bolt
WL	ばね座金	Split Lock Washer
WT	歯付き座金	External Tooth Washer
WF	平座金	Flat Washer
WS	波型座金	Spring Washer
NH	六角ナット	Hexagon Nut
NF	フランジナット	Hexagon Flange Nut
NC	袋ナット	Hexagon Cap Nut
NS	四角ナット	Square Nut
NW	ちょうナット	Wing Nut

Ex. ST0308S (Phillips Truss Head Machine Screw, M3x8, made of stainless steel)

材質	Material	None: Plated Steel
長さ	Length	S: Stainless Steel
呼び径	Nominal Diameter	B: Brass
頭形状	Forms of Heads	P: Plastic
種類	Description	

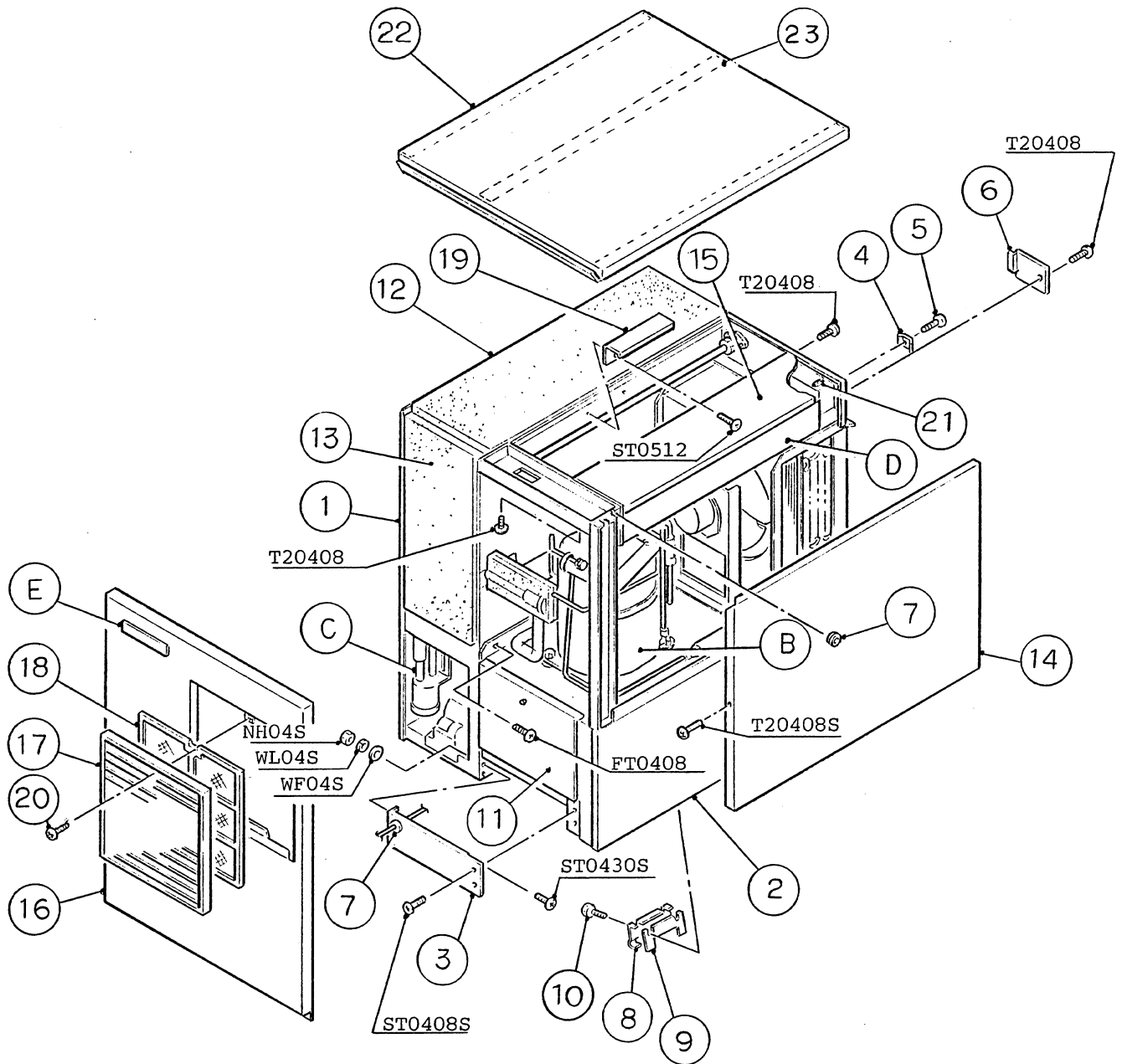
* リスト以外のFastenerは、頭形状のところを数字にする。

Second character is numerical except the List.

Ex. S1 S2 B3 e t c.

そして、イラストの下に 省略記号と英語名称を記入する。

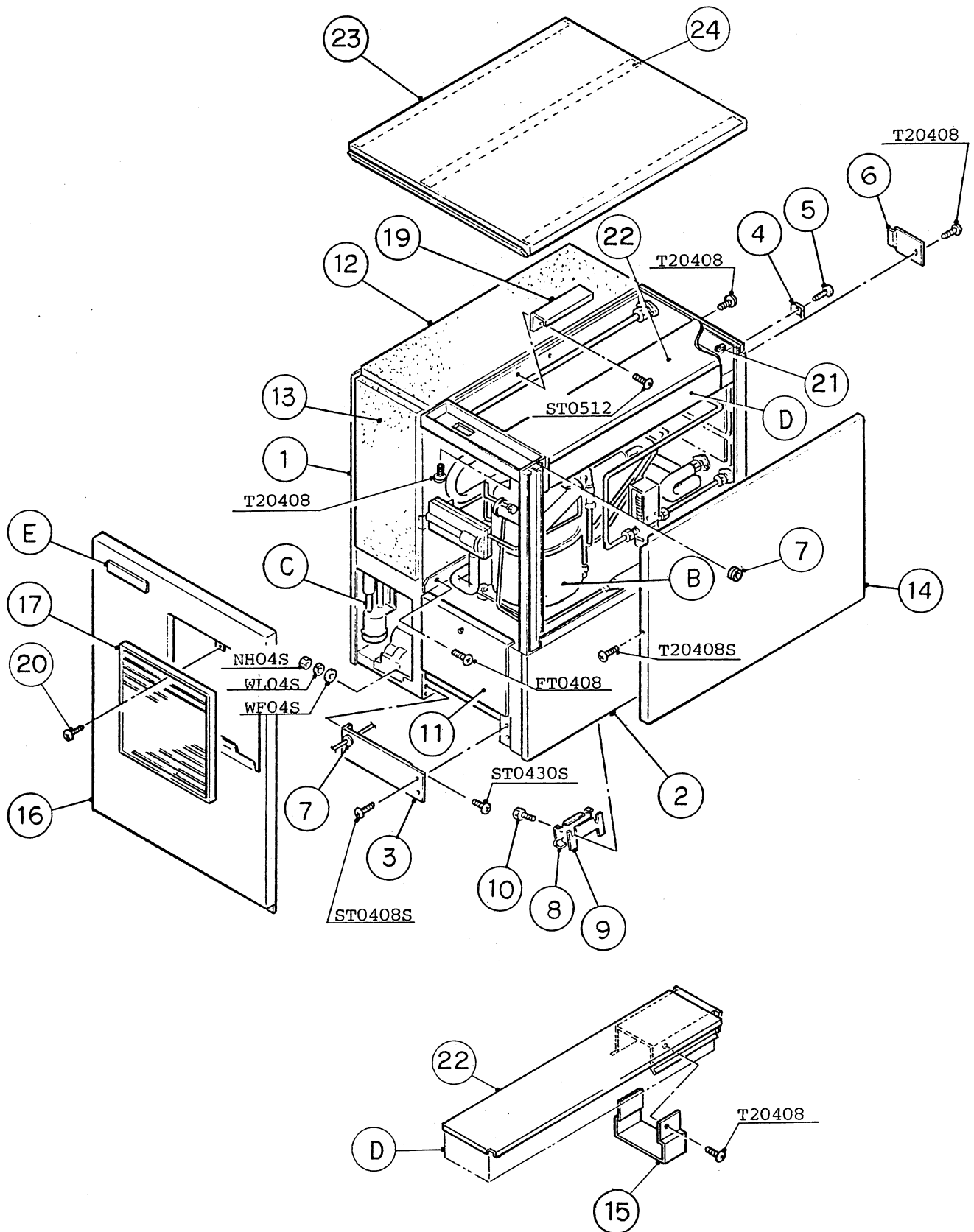
And Abbreviations and names are shown under the illustration.



HA

MODEL		TITLE		REQ'D NUMBER				
KM-452DU		A. ICE CUBER ASSY		H-1	J-1	J-2		
INDEX NO.	DESCRIPTION	MATERIAL OR MODEL NUMBER	PART NUMBER	H-1	J-1	J-2		
B	REFRIGERATION CIRCUIT	-	104164A01	1	1	-		
			104164A02			1		
C	WATER CIRCUIT	-	104160A01	1	-			
			104406A01		1	-		
			104406A06			1		
D	CONT. BOX ASSY	-	212389A01	1	1	1		
E	LABEL LOCATION	-	321554A01	1	-	-		
			321554A02		1	1		
1	Evap. Case	-	104119G01	1	-			
			104404G01		1	1		
2	Base	-	104120G01	1	1	1		
3	Front Frame	S.S	321524-01	1	1	1		
4	Square Washer	Copper	433537-01	1	1	1		
5	Screw - Grounding	Brass	433304-01	1	1	1		
6	Junction Box Cover	G.S	433410-01	1	1	1		
7	Bushing	EPDM	425307-01	2	2	2		
8	Bulb Holder (A)	S.S	433707-01	1	1	1		
9	Bulb Holder (B)	ABS	433703-01	1	1	1		
10	Thumbscrew	ABS, S.S	415949G01	2	2	2		
11	Base Cover	S.S	321525G01	1	1	1		
12	Top Insulation	ABS, PE	322256G01	1	1	1		
13	Front Insulation	ABS, PE	322257G01	1	1	1		
14	Side Panel (R)	S.S	211811G01	1	1	1		
15	Cont. Box Cover	G.S	322009G01	1	1	1		
16	Front Panel	S.S	322170G01	1	-			
			323004G01		1	1		
17	Louver (B)	-	103121-01	1	1	1		
18	Air Filter (B)	-	208283G01	1	1	1		
19	Hook	G.S	433769-01	1	1	1		
20	Tapping Screw (Black)	Steel	433954-01	1	1	1		
21	Bushing	SR-30-1	420472-03	1	1	1		
22	Top Panel	} (322514A03)	211671G01	1	✗			
			213544-01		①	1		
23	Gasket	Rubber	427014-02	3	3	3		

E



HA

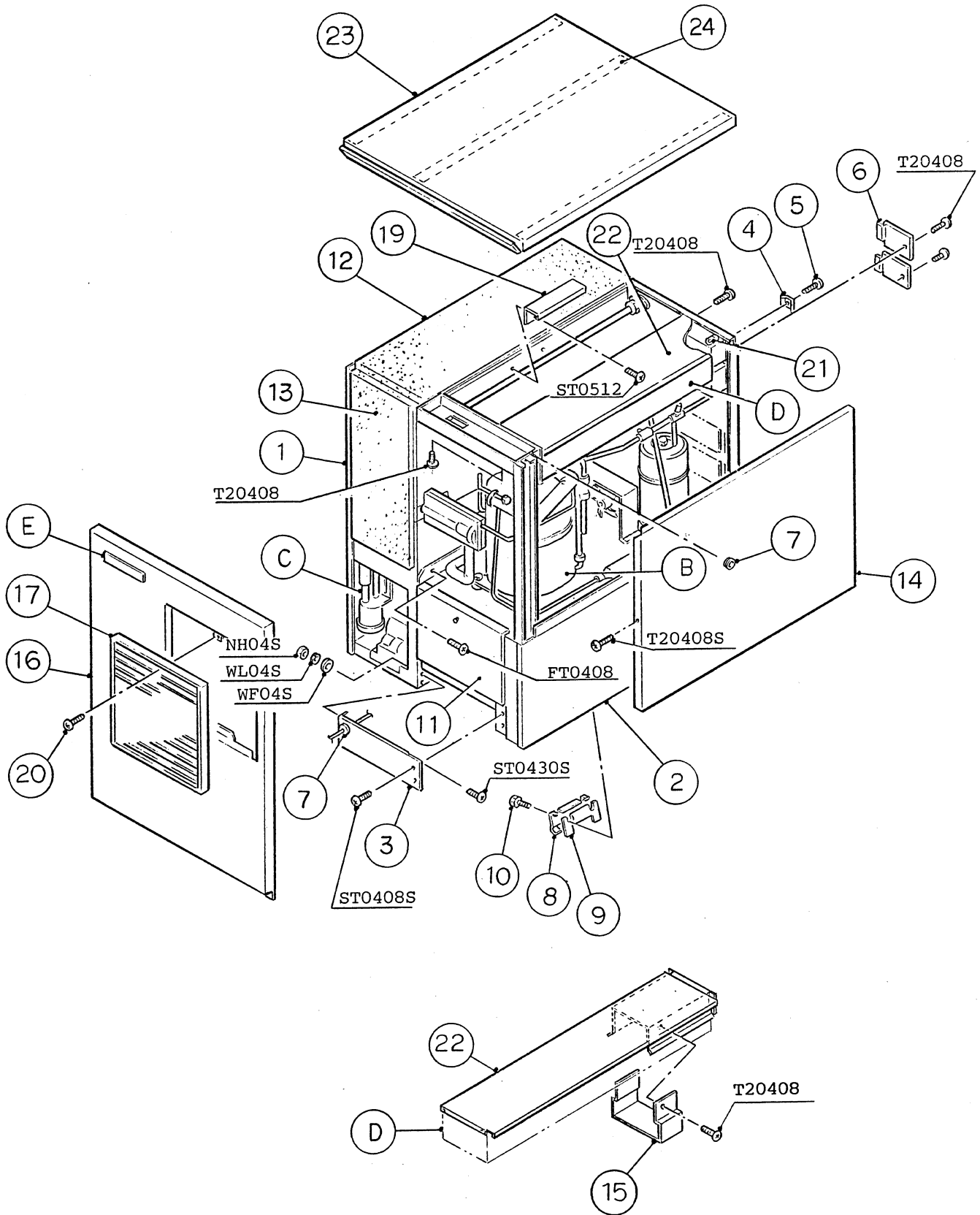
MODEL		TITLE					
KM-452DWU		A. ICE CUBER ASSY					
INDEX NO.	DESCRIPTION	MATERIAL OR MODEL NUMBER	PART NUMBER	REQ'D NUMBER			
				H-1	J-1	J-2	
B	REFRIGERATION CIRCUIT	-	104165A01	1	1	-	
			104165A02			1	
C	WATER CIRCUIT	-	104160A03	1	-		
			104406A03		1	-	
			104406A06			1	
D	CONT. BOX ASSY	-	212389A01	1	1	1	
E	LABEL LOCATION	-	321555A01	1	-		
			321555A02		1	1	
1	Evap. Case	-	104119G02	1	-		
			104404G03		1	1	
2	Base	-	104120G02	1	1	1	
3	Front Frame	S.S	321524-01	1	1	1	
4	Square Washer	Copper	433537-01	1	1	1	
5	Screw - Grounding	Brass	433304-01	1	1	1	
6	Junction Box Cover	G.S	433410-01	1	1	1	
7	Bushing	EPDM	425307-01	2	2	2	
8	Bulb Holder (A)	S.S	433707-01	1	1	1	
9	Bulb Holder (B)	ABS	433708-01	1	1	1	
10	Thumbscrew	ABS, S.S	415949G01	2	2	2	
11	Base Cover	S.S	321525G01	1	1	1	
12	Top Insulation	ABS, PE	322256G01	1	1	1	
13	Front Insulation	ABS, PE	322257G01	1	1	1	
14	Side Panel (R)	S.S	211811G01	1	1	1	
15	Guide	G.S	434577-01	1	1	1	
16	Front Panel	S.S	322170G01	1	-		
			323004G01		1	1	
17	Louver (B)	-	103121-01	1	1	1	
18	-	-	-	-			
19	Hook	G.S	433769-01	1	1	1	
20	Tapping Screw (Black)	Steel	433954-01	1	1	1	
21	Bushing	SR-30-1	420472-03	1	1	1	
22	Cont. Box Cover	G.S	322009G01	1	1	1	
23	Top Panel	} (322514A03)	211671G01	1	✕		
			213544-01		①	1	

E

HA

MODEL		TITLE					
KM-452DWU		A. ICE CUBER ASSY					
INDEX NO.	DESCRIPTION	MATERIAL OR MODEL NUMBER	PART NUMBER	REQ'D NUMBER			
				H-1	J-1	J-2	
24	Gasket	Rubber	427014-02	3	3	3	

E



HA

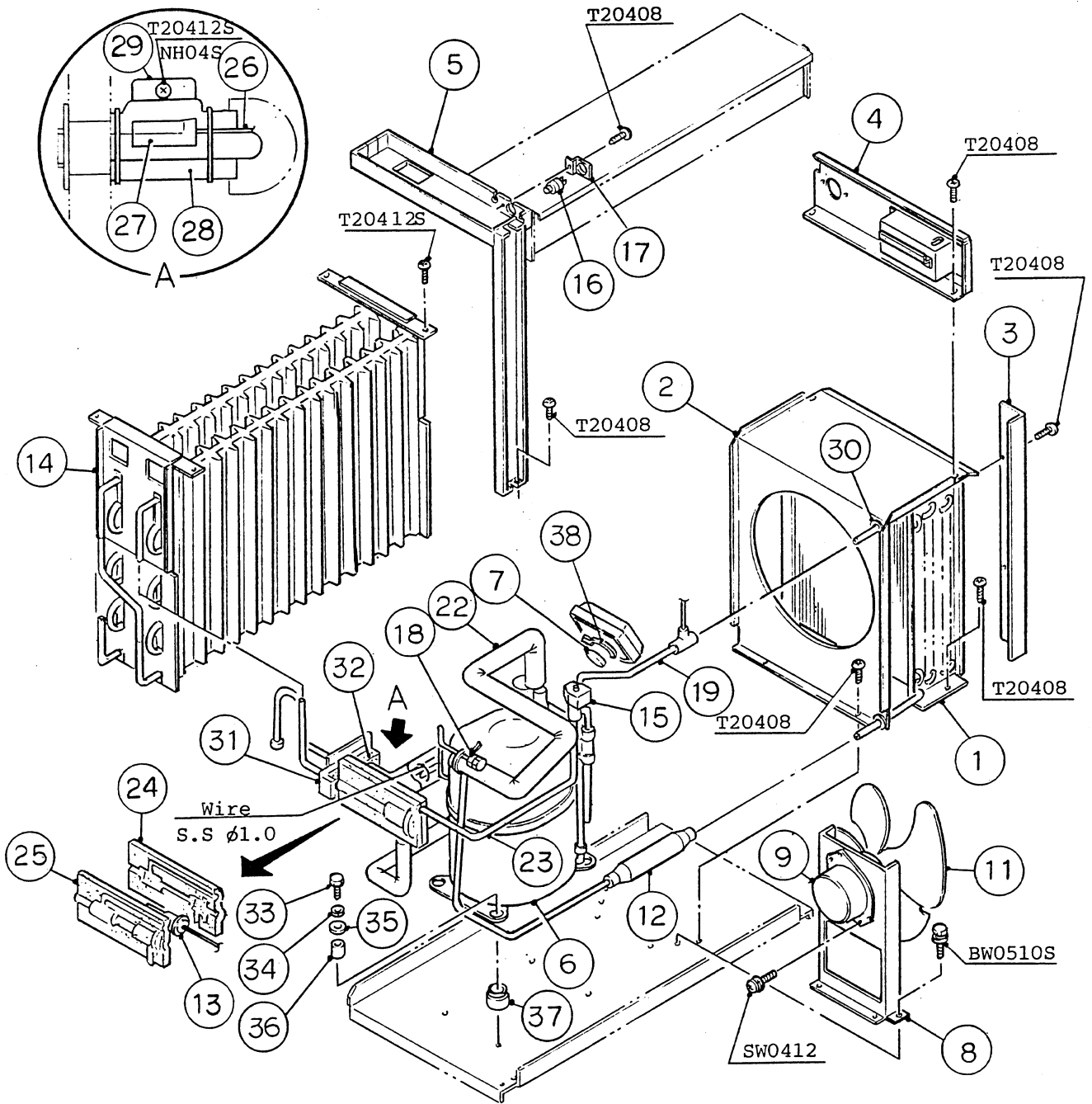
MODEL		TITLE		REQ'D NUMBER				
KM-452DSU		A. ICE CUBER ASSY		H-1	J-1	J-2		
INDEX NO.	DESCRIPTION	MATERIAL OR MODEL NUMBER	PART NUMBER	H-1	J-1	J-2		
B	REFRIGERATION CIRCUIT	-	104166A01	1	1	-		
			104166A02			1		
C	WATER CIRCUIT	-	104160A01	1	-			
			104406A01		1	-		
			104406A06			1		
D	CONT. BOX ASSY	-	212389A01	1	1	1		
E	LABEL LOCATION	-	321556A01	1	-			
			321556A02		1	1		
1	Evap. Case	-	104119G01	1	-			
			104404G01		1	1		
2	Base	-	104120G03	1	1	1		
3	Front Frame	S.S	321524-01	1	1	1		
4	Square Washer	Copper	433537-01	2	2	2		
5	Screw - Gounding	Brass	433304-01	2	2	2		
6	Junction Box Cover	G.S	433410-01	2	2	2		
7	Bushing	EPDM	425307-01	2	2	2		
8	Bulb Holder (A)	S.S	433707-01	1	1	1		
9	Bulb Holder (B)	ABS	433708-01	1	1	1		
10	Thumbscrew	ABS, S.S	415949G01	2	2	2		
11	Base Cover	S.S	321525G01	1	1	1		
12	Top Insulation	ABS, PE	322256G01	1	1	1		
13	Front Insulation	ABS, PE	322257G01	1	1	1		
14	Side Panel (R)	S.S	211811G01	1	1	1		
15	Guide	G.S	434577-01	1	1	1		
16	Front Panel	S.S	322170G01	1	-			
			323004G01		1	1		
17	Louver (B)	-	103121-01	1	1	1		
18	-	-	-	-				
19	Hook	G.S	433769-01	1	1	1		
20	Tapping Screw (Black)	Steel	433954-01	1	1	1		
21	Bushing	SR-30-1	420472-03	2	2	2		
22	Cont. Box Cover	G.S	322009G01	1	1	1		
23	Top Panel		211671G01	1	X			
		} (322514A03)	213544-01		①	1		

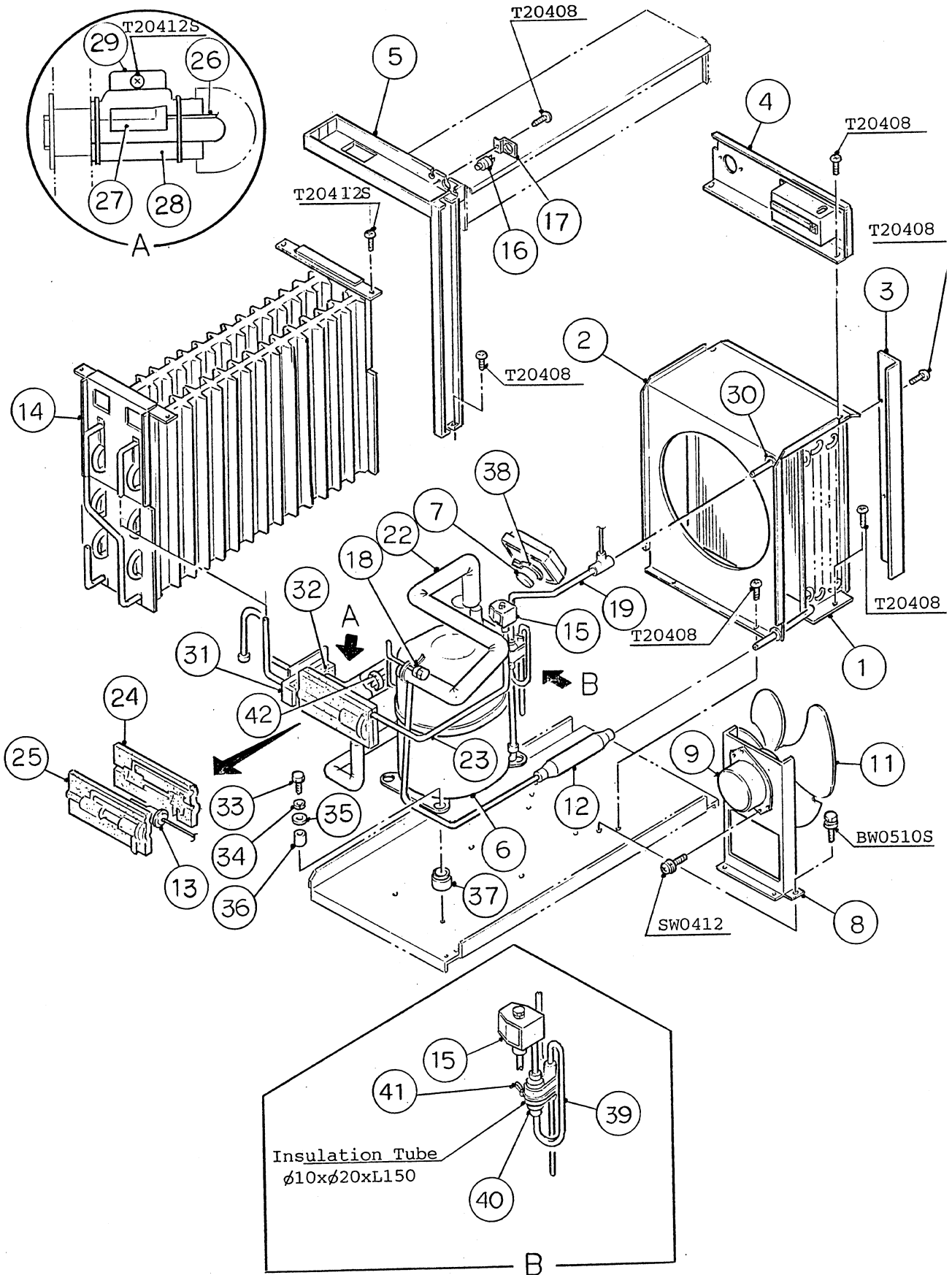
E

HA

MODEL		TITLE					
KM-452DSU		A. ICE CUBER ASSY					
INDEX NO.	DESCRIPTION	MATERIAL OR MODEL NUMBER	PART NUMBER	REQ'D NUMBER			
				H-1	J-1	J-2	
24	Gasket	Rubber	427014-02	3	3	3	

E





HA

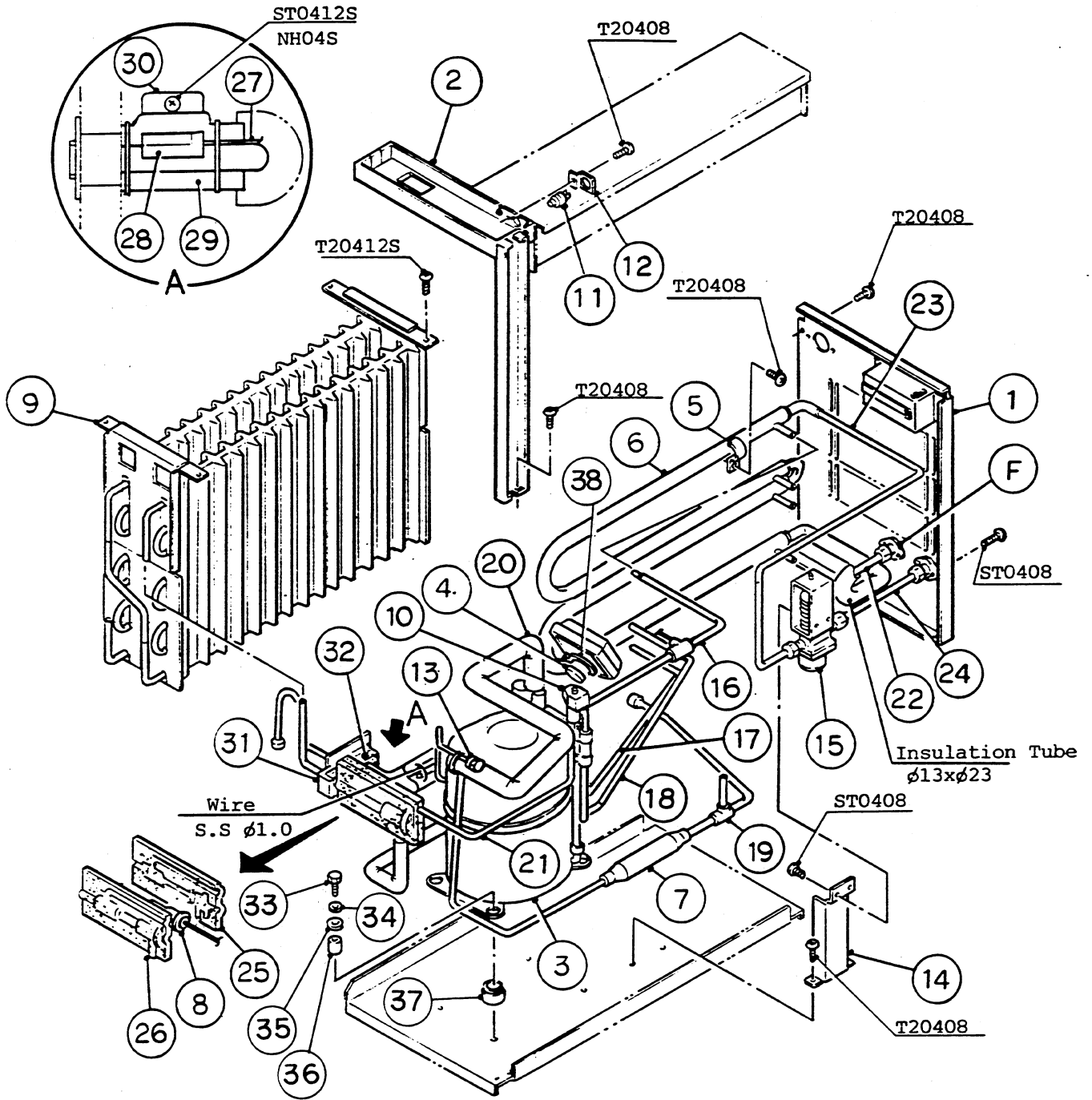
MODEL		TITLE		REQ'D NUMBER			
KM-452DU		B. REFRIGERATION CIRCUIT					
INDEX NO.	DESCRIPTION	MATERIAL OR MODEL NUMBER	PART NUMBER	REQ'D NUMBER			
				H-1	J-1	J-2	
1	Condenser	-	211750-01	1	1	1	
2	Shroud	G.S	211803-01	1	1	1	
3	Barrier	G.S	433693-01	1	1	1	
4	Rear Panel	G.S	322008G01	1	1	-	
			322008G02			1	
5	Frame	G.S	321515G01	1	1	1	
6	Compressor	CL75JD-1U	2U0068-01	1	1	1	
7	Motor Protector	MRA98549	428193-01	1	1	1	
8	Fan Motor Bracket	G.S	321514-01	1	1	1	
9	Fan Motor	FW-4F30R-UL	2U0076-01	1	1	1	
10	-	-	-	-	-	-	
11	Fan Blade	FW-25PHR	425729-01	1	1	1	
12	Drier	-	427061-02	1	1	1	
13	Exp. Valve	HFE-10RHD-1	433534-01	1	1	1	
14	Evaporator	-	104167G01	1	1	1	
15	Hot Gas Valve	ADS-24HD-2	3U0082-02	1	1	1	
16	Pressure Switch	ACB-2UB03	433441-03	1	1	1	
17	Pressure Switch Bracket	G.S	434578-01	1	1	1	
18	Access Valve	TCJ-2F15-HD	417366-01	1	1	1	
19	Copper Tube (A) - High Side	Copper	321583G01	1	1	1	
20	-	-	-	-	-	-	
21	-	-	-	-	-	-	
22	Heat Exchanger		211853G01	1	1	1	
23	Copper Tube - Low Side		321589G01	1	1	1	
24	Exp. Valve Cover (A)	PE Foam	321425-01	1	1	1	
25	Exp. Valve Cover (B)	PE Foam	321425-02	1	1	1	
26	Thermistor	-	429006-02	1	-		
			429006-03		1	1	
27	Holder - Thermistor	Copper	427430-01	1	1	1	
28	Insulation - Thermistor	PE Foam	427441-01	1	1	1	
29	Strap - Thermistor	S.S	427431-01	1	X		
			4A0035-01		①	1	
30	Bushing	OCB-625	428394-03	2	2	2	
31	Twin Bushing (A)	EPDM	321424-01	1	1	1	

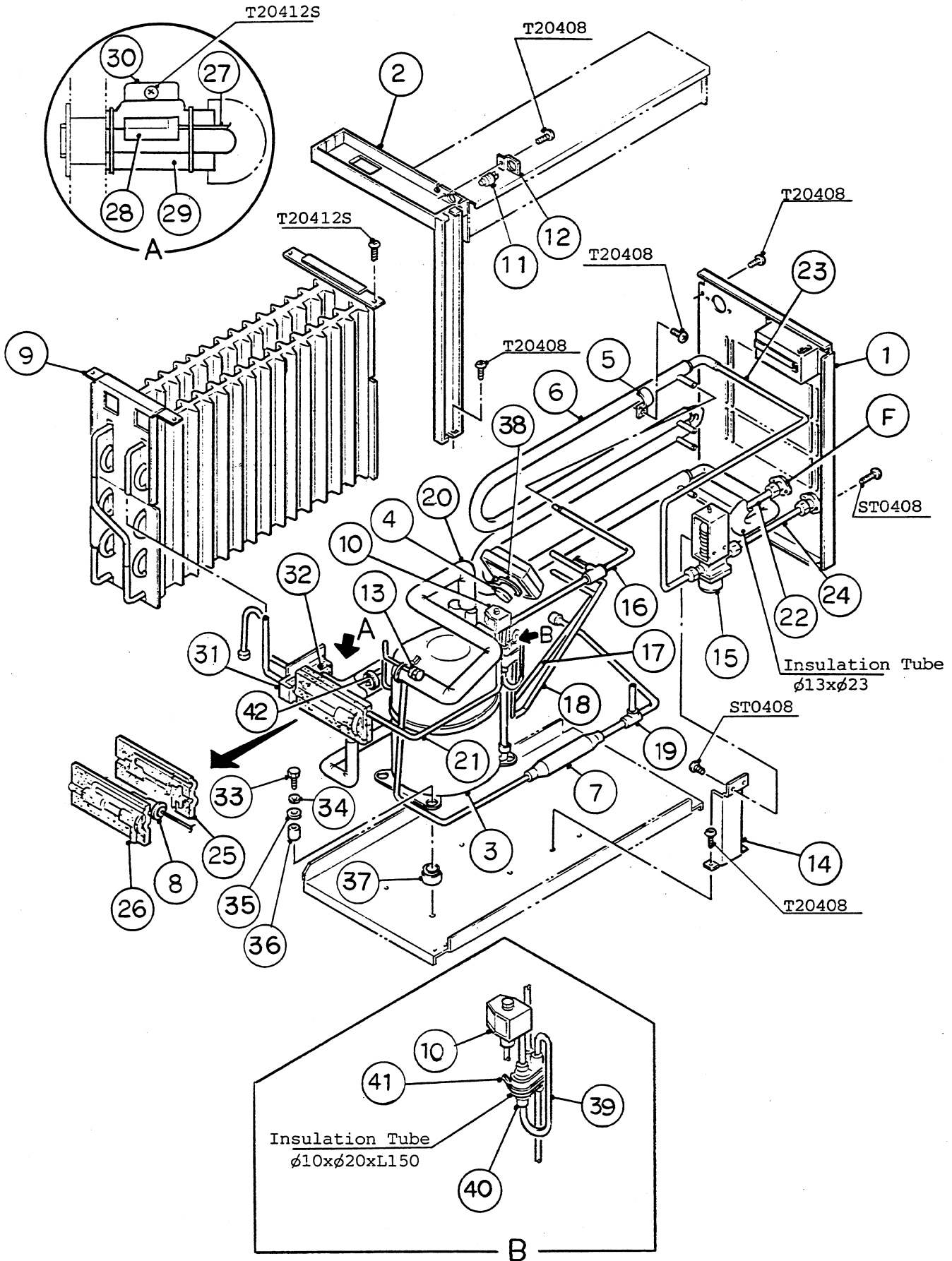
E

HA

MODEL		TITLE					
KM-452DU		B. REFRIGERATION CIRCUIT					
INDEX NO.	DESCRIPTION	MATERIAL OR MODEL NUMBER	PART NUMBER	REQ'D NUMBER			
				H-1	J-1	J-2	
32	Insulation	PE Foam	433095-01	1	1	1	
33	Hex. Head Bolt	-	432805-01	4	4	4	
34	Split Lock Washer	-	432806-01	4	4	4	
35	Flat Washer	-	432807-01	4	4	4	
36	Spacer	-	432808-01	4	4	4	
37	Cushion	-	432809-01	4	4	4	
38	Holder	-	434397-01	1	1	1	
39	Copper Tube (A) - Hot Gas	Copper	435252-01	①	1	1	
40	Strainer	-	430365-01	①	1	1	
41	Cable Tie	CV-200	7920-0010	①	1	1	
42	Clamp	D11-S	435254-04	②	2	2	

E





HA

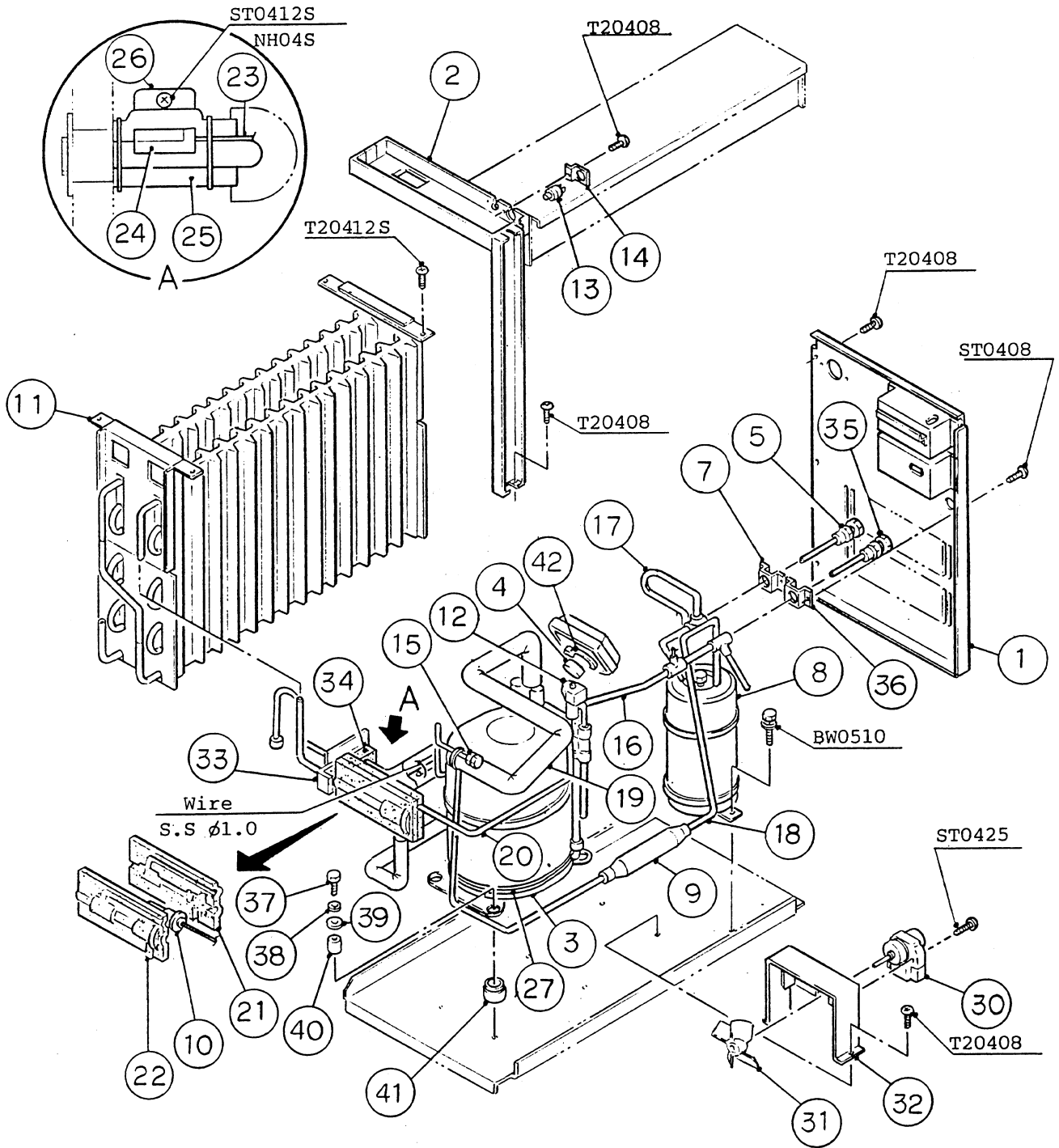
MODEL		TITLE					
KM-452DWU		B. REFRIGERATION CIRCUIT					
INDEX NO.	DESCRIPTION	MATERIAL OR MODEL NUMBER	PART NUMBER	REQ'D NUMBER			
				H-1	J-1	J-2	
F	FITTING (P) ASSY	(S-0351)	311425A01	2	2	2	
1	Rear Panel	G.S	211807G01	1	1	-	
			211807G02			1	
2	Frame	G.S	321515G01	1	1	1	
3	Compressor	CL75JD-1U	2U0068-01	1	1	1	
4	Motor Protector	MRA98549	428193-01	1	1	1	
5	Clamp - Cond.	G.S	4H0622-01	5	5	5	
6	Condenser - Water-cooled	(S-0396)	2H0694G02	1	1	1	
7	Drier	-	427061-02	1	1	1	
8	Exp. Valve	HFE-10RHD-1	433534-01	1	1	1	
9	Evaporator	-	104167G01	1	1	1	
10	Hot Gas Valve	ADS-24HD-2	3U0082-02	1	1	1	
11	Pressure Switch	ACB-2UB03	433441-03	1	1	1	
12	Pressure Switch Bracket	G.S	434578-01	1	1	1	
13	Access Valve	TCJ-2F15-HD	417366-01	1	1	1	
14	Water Regulator Bracket	G.S	433701-02	1	1	1	
15	Water Regulator	WV II -33RHD	415425-01	1	1	1	
16	Copper Tube (A) - High Side	Copper	321588G01	1	1	1	
17	Copper Tube (A) - Oil Cooler	Copper	321586-01	1	1	1	
18	Copper Tube (B) - Oil Cooler	Copper	321585-01	1	1	1	
19	Copper Tube (B) - High Side	Copper	321587G01	1	1	1	
20	Heat Exchanger	Copper	211853G01	1	1	1	
21	Copper Tube - Low Side	Copper	321539G01	1	1	1	
22	Copper Tube (A) - Water Circuit	Copper	433811-01	1	1	1	
23	Copper Tube (B) - Water Circuit	Copper	321534-01	1	1	1	
24	Copper Tube (C) - Water Circuit	Copper	433810-01	1	1	1	
25	Exp. Valve Cover (A)	PE Foam	321425-01	1	1	1	
26	Exp. Valve Cover (B)	PE Foam	321425-02	1	1	1	
27	Thermistor	-	429006-02	1	-		
			429006-03		1	1	
28	Holder - Thermistor	Copper	427430-01	1	1	1	

E

HA

MODEL		TITLE		REQ'D NUMBER			
KM-452DWU		B. REFRIGERATION CIRCUIT		H-1	J-1	J-2	
INDEX NO.	DESCRIPTION	MATERIAL OR MODEL NUMBER	PART NUMBER	H-1	J-1	J-2	
29	Insulation - Thermistor	PE Foam	427441-01	1	X	1	
30	Strap - Thermistor	S.S	427431-01	1	①		
			4A0035-01		1	1	
31	Twin Bushing (A)	EPDM	321424-01	1	1	1	
32	Insulation	PE Foam	433695-01	1	1	1	
33	Hex. Head Bolt	-	432805-01	4	4	4	
34	Split Lock Washer	-	432806-01	4	4	4	
35	Flat Washer	-	432807-01	4	4	4	
36	Spacer	-	432808-01	4	4	4	
37	Cushion	-	432809-01	4	4	4	
38	Holder	-	434397-01	1	1	1	
39	Copper Tube (A) - Hot Gas	Copper	435252-01	①	1	1	
40	Strainer	-	430365-01	①	1	1	
41	Cable Tie	CV-200	7920-0010	①	1	1	
42	Clamp	D11-S	435254-04	②	2	2	

E



HA

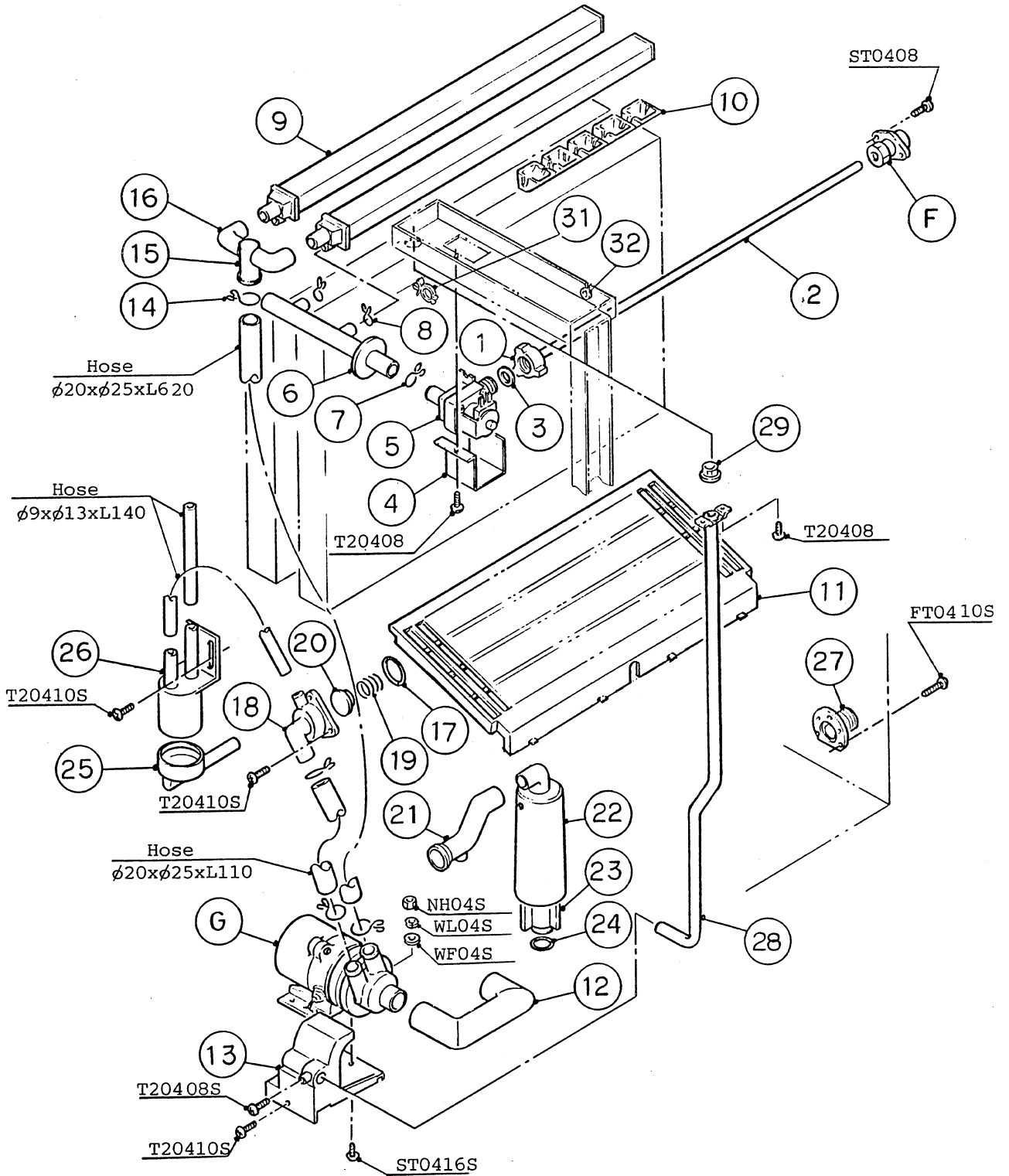
MODEL		TITLE		REQ'D NUMBER			
KM-452DSU		B. REFRIGERATION CIRCUIT					
INDEX NO.	DESCRIPTION	MATERIAL OR MODEL NUMBER	PART NUMBER	REQ'D NUMBER			
				H-1	J-1	J-2	
1	Rear Panel	G.S	211805G01	1	1	-	
			211805G03			1	
2	Frame	G.S	321515G01	1	1	1	
3	Compressor	CL75JD-1U	2U0068-01	1	1	1	
4	Motor Protector	MRA98549	428193-01	1	1	1	
5	Coupling	-	433751G01	1	1	1	
6	-	-	-	-			
7	Bracket - Tube	G.S	425507-01	1	1	1	
8	Receiver	RT-P-HD-4	429341-01	1	1	1	
9	Drier	-	427061-02	1	1	1	
10	Exp. Valve	HFE-10RHD-1	433534-01	1	1	1	
11	Evaporator	-	104167G01	1	1	1	
12	Hot Gas Valve	ADS-24HD-2	3U0082-02	1	1	1	
13	Pressure Switch	ACB-2UB03	433441-03	1	1	1	
14	Pressure Switch Bracket	G.S	434578-01	1	1	1	
15	Access Valve	TCJ-2F15-HD	417366-01	1	1	1	
16	Copper Tube (A) - High Side	Copper	321582G01	1	1	1	
17	Copper Tube (D) - High Side	Copper	322060G01	1	1	1	
18	Copper Tube (C) - High Side	Copper	433809-01	1	1	1	
19	Heat Exchanger	Copper	211853G01	1	1	1	
20	Copper Tube - Low Side	Copper	321589G01	1	1	1	
21	Expansion Valve Cover (A)	PE Foam	321425-01	1	1	1	
22	Expansion Valve Cover (B)	PE Foam	321425-02	1	1	1	
23	Thermistor	-	429006-02	1	-		
			429006-03		1	1	
24	Holder - Thermistor	Copper	427430-01	1	1	1	
25	Insulation - Thermistor	PE Foam	427441-01	1	1	1	
26	Strap - Thermistor	S.S	427431-01	1	X		
			4A0035-01		①	1	
27	Crankcase Heater	CH5700 120V 50W	433533-01	1	1	1	
28	-	-	-	-			
29	-	-	-	-			
30	Fan Motor	MS-17ZJF-RJA6	3U0045-01	1	1	1	
31	Fan Blade	φ 100	414782-01	1	1	1	

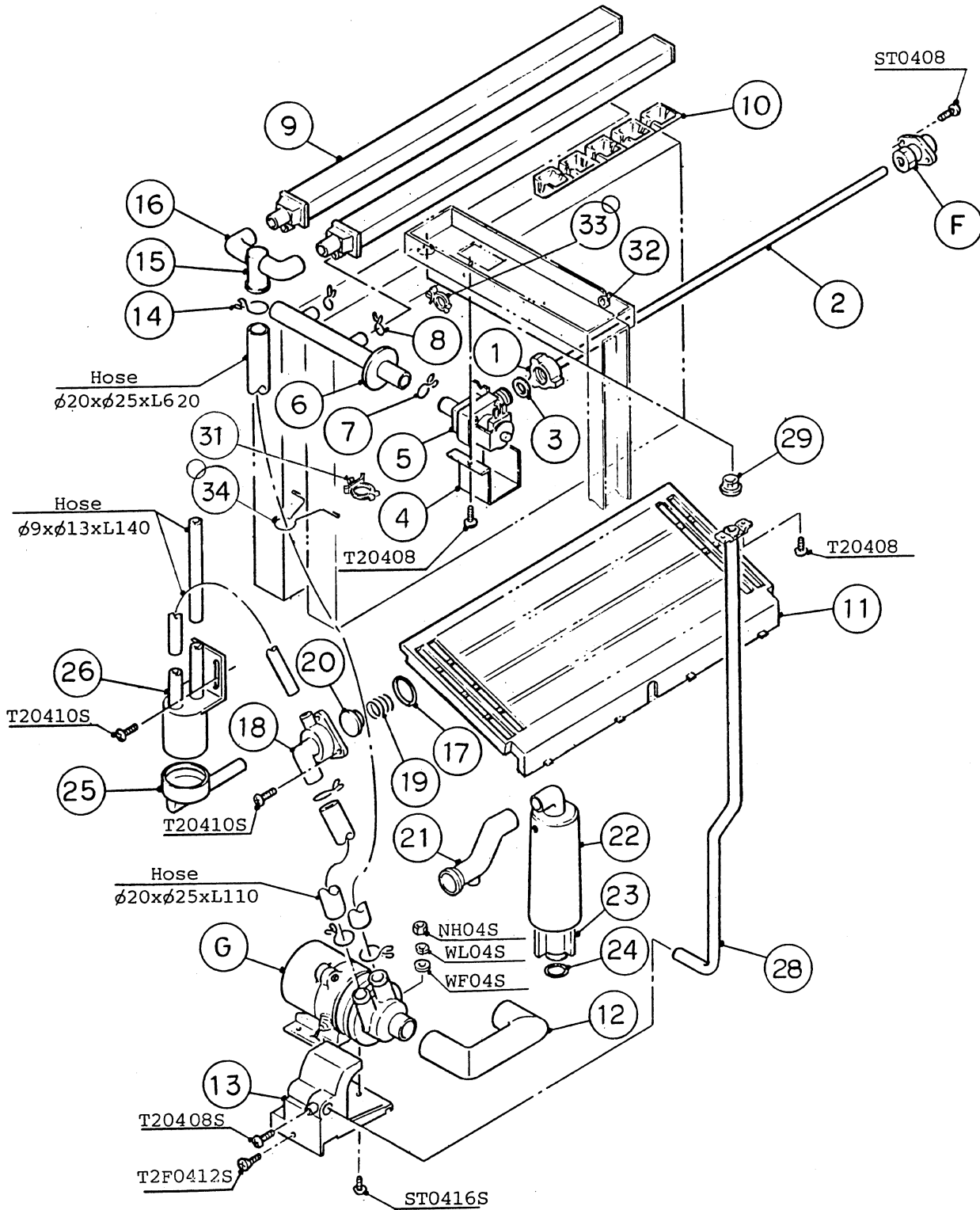
E

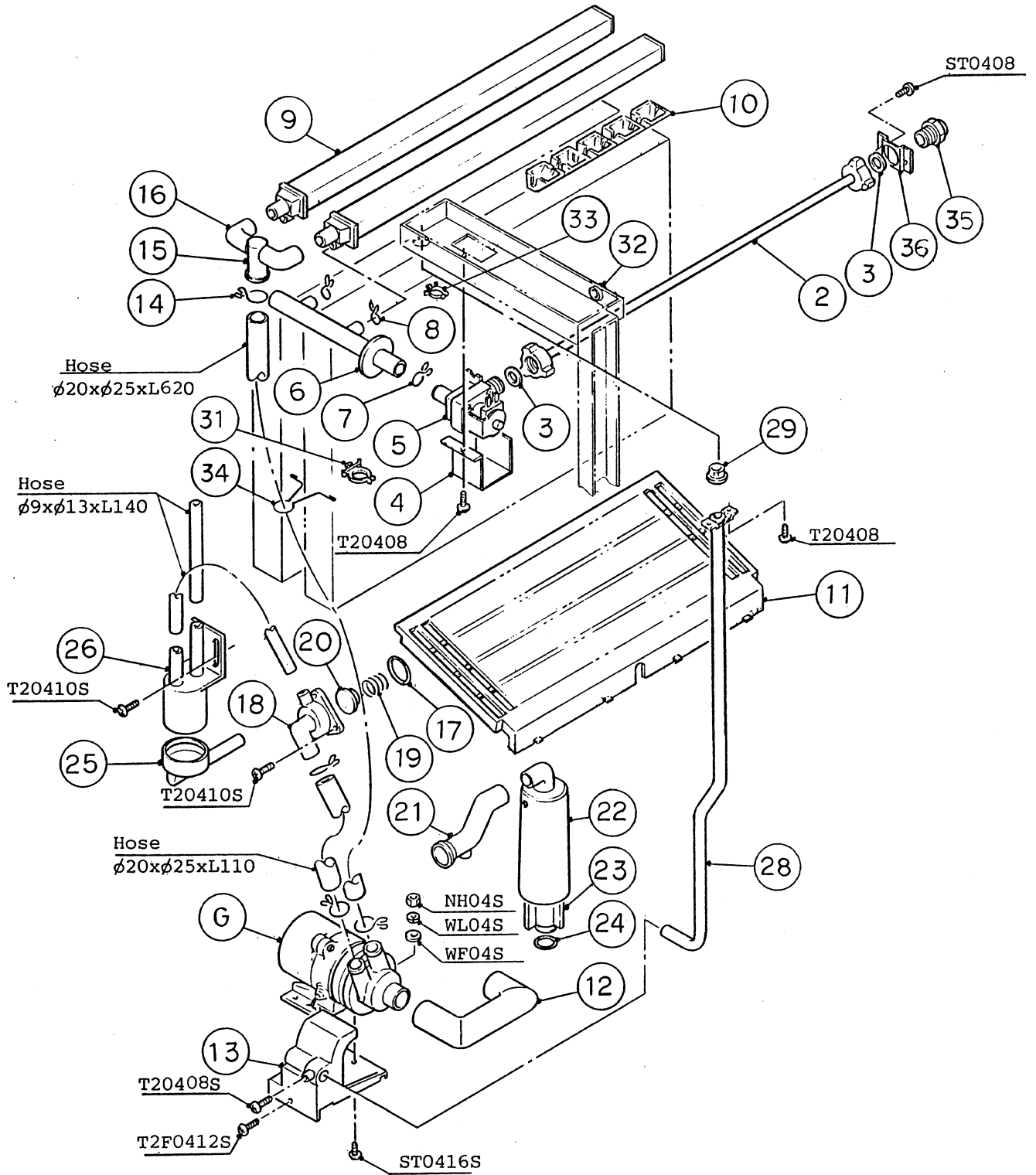
HA

MODEL		TITLE		REQ'D NUMBER				
KM-452DSU		B. REFRIGERATION CIRCUIT		H-1	J-1	J-2		
INDEX NO.	DESCRIPTION	MATERIAL OR MODEL NUMBER	PART NUMBER					
32	Fan Motor Bracket	G.S	433697G01	1	1	1		
33	Twin Bushing (A)	EPDM	321424-01	1	1	1		
34	Insulation	PE Foam	433695-01	1	1	1		
35	Coupling	-	434136G01	1	1	1		
36	Tube Holder	G.S	434104-01	1	1	1		
37	Hex. Head Bolt	-	432805-01	4	4	4		
38	Split Lock Washer	-	432806-01	4	4	4		
39	Flat Washer	-	432807-01	4	4	4		
40	Spacer	-	432808-01	4	4	4		
41	Cushion	-	432809-01	4	4	4		
42	Holder	-	434397-01	1	1	1		
43	Copper Tube (A) - Hot Gas	Copper	435252-01	①	1	1		
44	Strainer	-	430365-01	①	1	1		
45	Cable Tie	CV-200	7920-0010	①	1	1		
46	Clamp	D11-S	435254-04	②	2	2		

E







HA

MODEL		TITLE		REQ'D NUMBER			
KM-452 DU,DSU		C. WATER CIRCUIT		H-1	J-1	J-2	
INDEX NO.	DESCRIPTION	MATERIAL OR MODEL NUMBER	PART NUMBER	H-1	J-1	J-2	
F	FITTING (P) ASSY	(S-0351)	311425A01	1	1	-	
G	PUMP MOTOR ASSY	(S-0613)	321444A01	1	1	1	
1	Fitting Nut	AC	426910-02	1	1	-	
2	Water Supply Pipe	S.S	433519G01	1	1	-	
			436670G01			1	
3	Rubber Gasket	NBR	413854-01	1	1	2	
4	Water Valve Bracket	G.S	321443-01	1	1	1	
5	Water Valve	J248-033	3U0111-03	1	1	1	
6	Distributor Hose	EPDM	432819-01	1	1	1	
7	Hose Clamp	S.S, 18 mm	427443-05	1	1	1	
8	Hose Clamp	S.S, 13.5 mm	427443-07	2	2	2	
9	Spray Tube	ABS	433520G01	2	2	2	
10	Spray Guide (A)	PE	208536-01	6	6	6	
11	Cube Guide	ABS	212088-01	1	1	1	
12	Suction Hose	EPDM	433466-01	1	1	1	
13	Pump Motor Bracket	ABS	211408-01	1	1	1	
14	Hose Clamp	S.S, 25 mm	427443-03	4	4	4	
15	Distributor	ABS	432820-01	1	1	1	
16	Elbow	EPDM	433467-01	2	2	2	
17	"O" Ring	1AG35	7611-G035	1	1	1	
18	Valve Housing - Drain	ABS	321001-01	1	1	1	
19	Spring	S.S	322110-01	1	1	1	
20	Valve Sheet	EPDM	433705-01	1	1	1	
21	Drain Hose	EPDM	433468-01	1	1	1	
22	Overflow Cap	PE	321002-01	1	1	1	
23	Overflow Pipe	ABS	430722-03	1	1	1	
24	"O" Ring	1AP32	7611-P032	1	1	1	
25	Connector - Float Switch	EPDM	426799-01	1	1	1	
26	Float Switch	FS-0893B	433535-01	1	1	1	
27	Fitting - Drain	ABS	322218-01	1	-		
28	Conduit	Copper	433706G01	1	1	1	
29	Bushing	SB-625-8	420470-01	1	1	1	
30	-	-	-	-	-	-	
31	Clamp	No.248	427902-04	2	2	2	

E

HA

MODEL		TITLE		REQ'D NUMBER			
KM-452 DU, DSU		C. WATER CIRCUIT		H-1	J-1	J-2	
INDEX NO.	DESCRIPTION	MATERIAL OR MODEL NUMBER	PART NUMBER				
32	Bushing	OCB-500	428394-02	1	1	1	
33	Clamp	No.826	427902-01		①	1	
34	Hose Holder	S.S	436340-01		①	1	
35	Fitting - Inle	Bronze	436552-01			1	
36	Fitting Holder - Inlet	G.S	436550-01			1	

E

HA

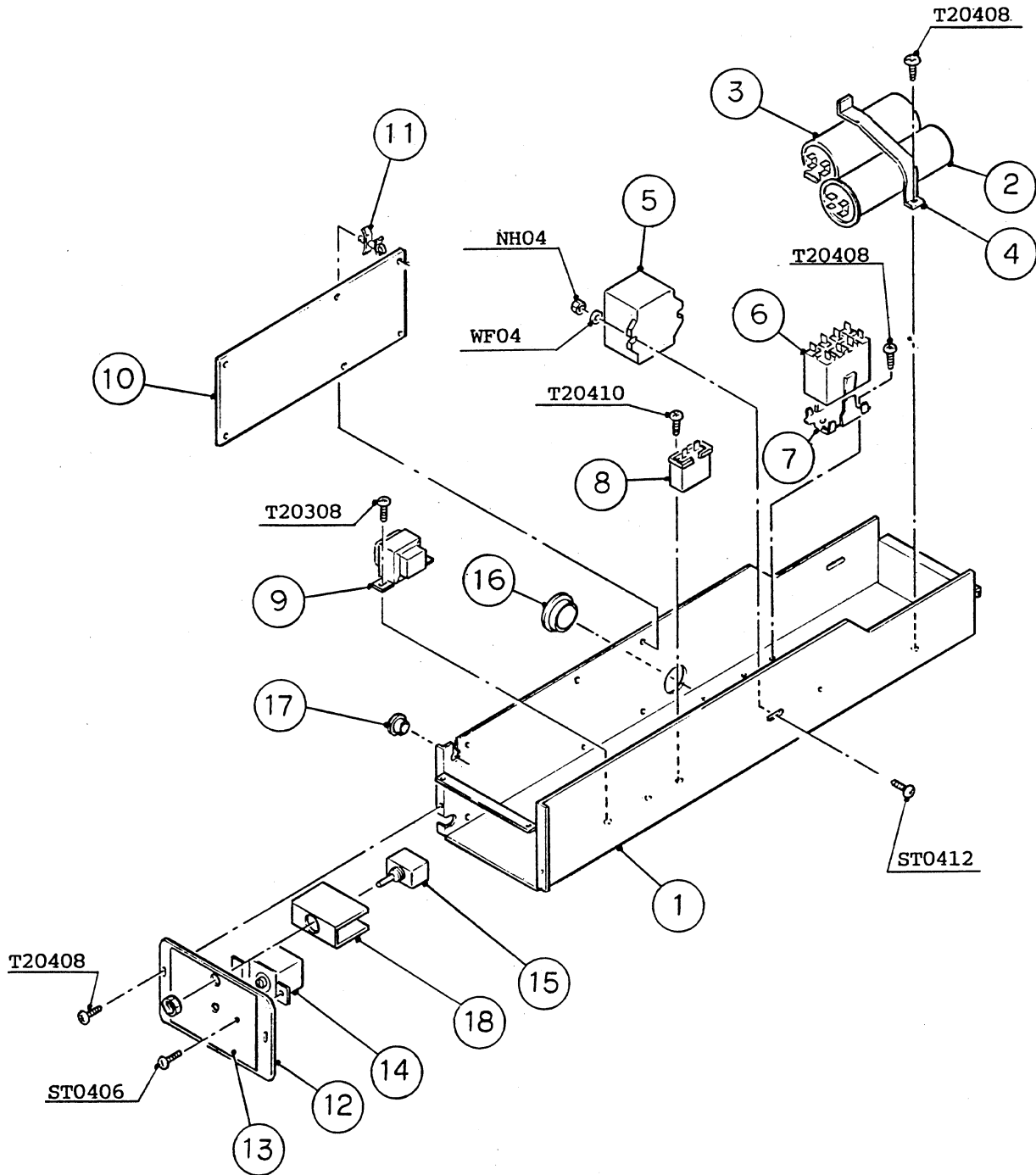
MODEL		TITLE					
KM-452DWU		C. WATER CIRCUIT					
INDEX NO.	DESCRIPTION	MATERIAL OR MODEL NUMBER	PART NUMBER	REQ'D NUMBER			
				H-1	J-1	J-2	
F	FITTING (P) ASSY	(S-0351)	311425A01	1	1	-	
G	PUMP MOTOR ASSY	(S-0613)	321444A01	1	1	1	
1	Fitting Nut	AC	426910-02	1	1	-	
2	Water Supply Pipe	S.S	433519G01	1	1	-	
			436670G01			1	
3	Rubber Gasket	NBR	413854-01	1	1	2	
4	Water Valve Bracket	G.S	321443-01	1	1	1	
5	Water Valve	J248-033	3U0111-03	1	1	1	
6	Distributor Hose	EPDM	432819-01	1	1	1	
7	Hose Clamp	S.S, 18 mm	427443-05	1	1	1	
8	Hose Clamp	S.S, 13.5 mm	427443-07	2	2	2	
9	Spray Tube	ABS	433520G01	2	2	2	
10	Spray Guide (A)	PE	208536-01	6	6	6	
11	Cube Guide	ABS	212088-01	1	1	1	
12	Suction Hose	EPDM	433466-01	1	1	1	
13	Pump Motor Bracket	ABS	211408-01	1	1	1	
14	Hose Clamp	S.S, 25 mm	427443-03	4	4	4	
15	Distributor	ABS	432820-01	1	1	1	
16	Elbow	EPDM	433467-01	2	2	2	
17	"O" Ring	1AG35	7611-G035	1	1	1	
18	Valve Housing - Drain	ABS	321001-01	1	1	1	
19	Spring	S.S	322110-01	1	1	1	
20	Valve Sheet	EPDM	433705-01	1	1	1	
21	Drain Hose	EPDM	433468-01	1	1	1	
22	Overflow Cap	PE	321002-01	1	1	1	
23	Overflow Pipe	ABS	430722-03	1	1	1	
24	"O" Ring	1AP32	7611-P032	1	1	1	
25	Connector - Float Switch	EPDM	426799-01	1	1	1	
26	Float Switch	FS-0893B	433535-01	1	1	1	
27	Fitting - Drain	ABS	322218-01	1	-		
28	Conduit	Copper	433706G01	1	1	1	
29	Bushing	SB-625-8	420470-01	1	1	1	
30	-	-	-	-	-	-	
31	Clamp	No.248	427902-04	3	3	3	

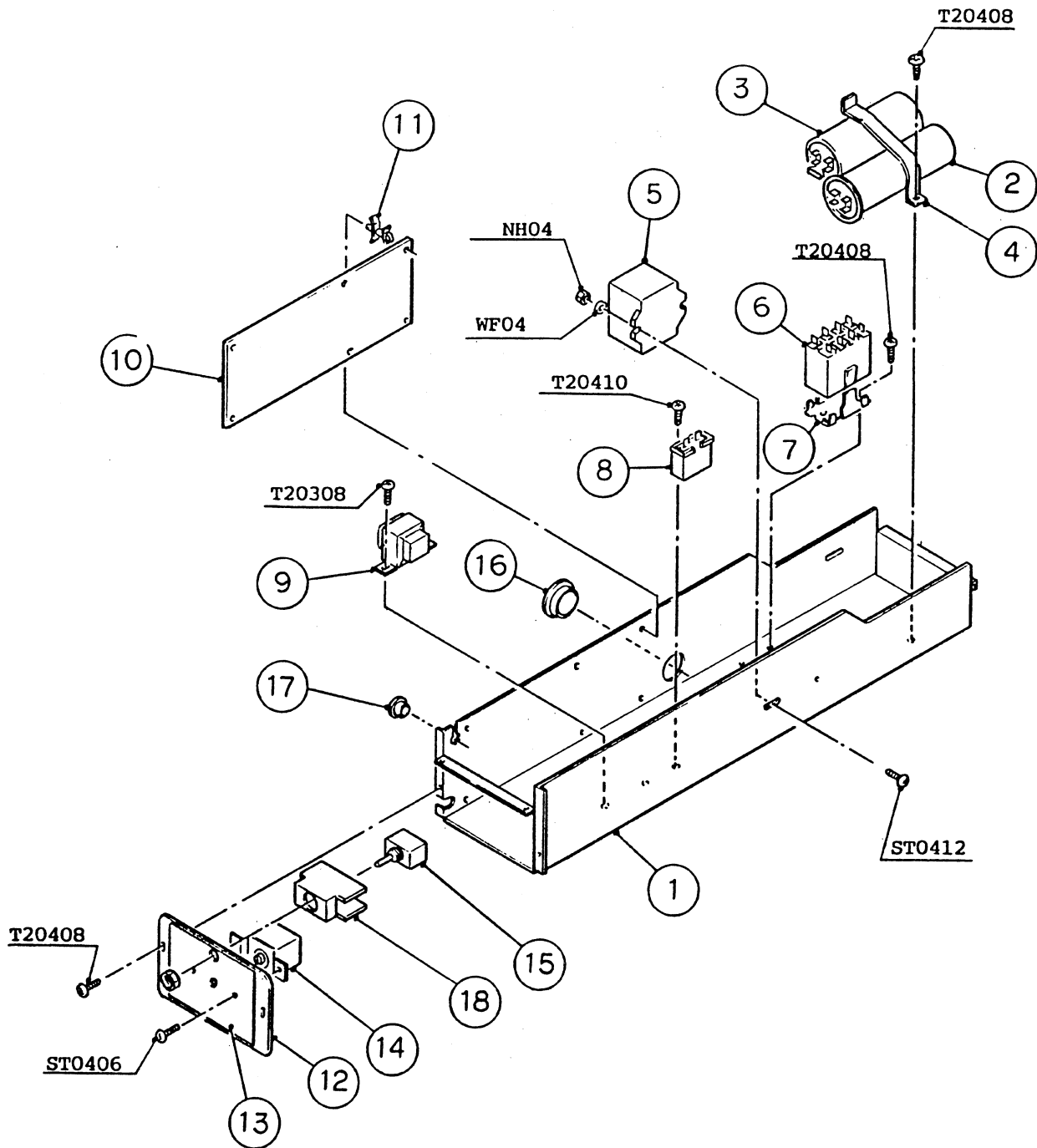
E

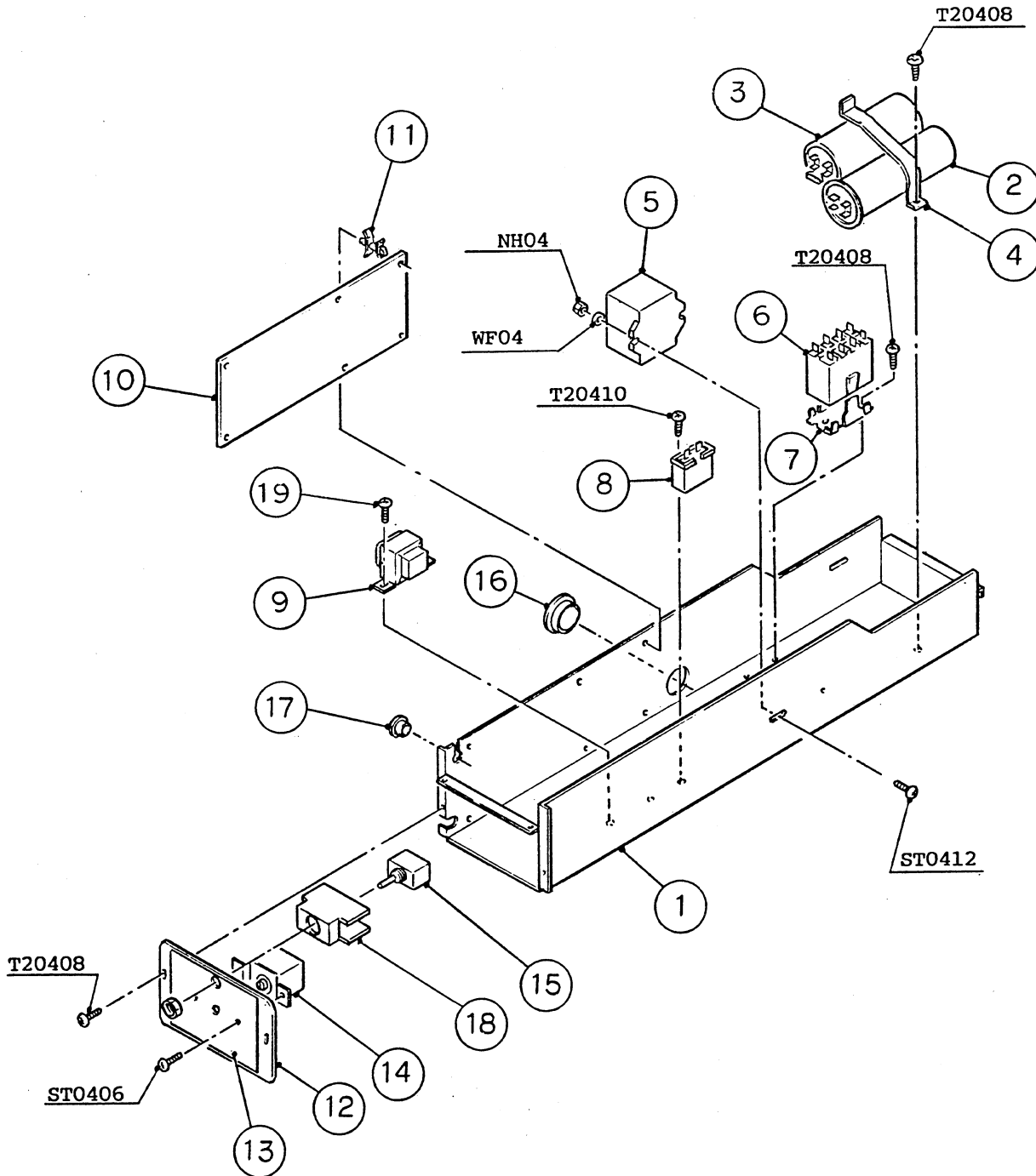
HA

MODEL		TITLE		REQ'D NUMBER			
KM-452DWU		C. WATER CIRCUIT		H-1	J-1	J-2	
INDEX NO.	DESCRIPTION	MATERIAL OR MODEL NUMBER	PART NUMBER				
32	Bushing	OCB-500	428394-02	1	1	1	
33	Clamp	No.826	427902-01		①	1	
34	Hose Holder	S.S	436340-01		①	1	
35	Fitting - Inlet	Bronze	436552-01			1	
36	Fitting Holder - Inlet	G.S	436550-01			1	

E



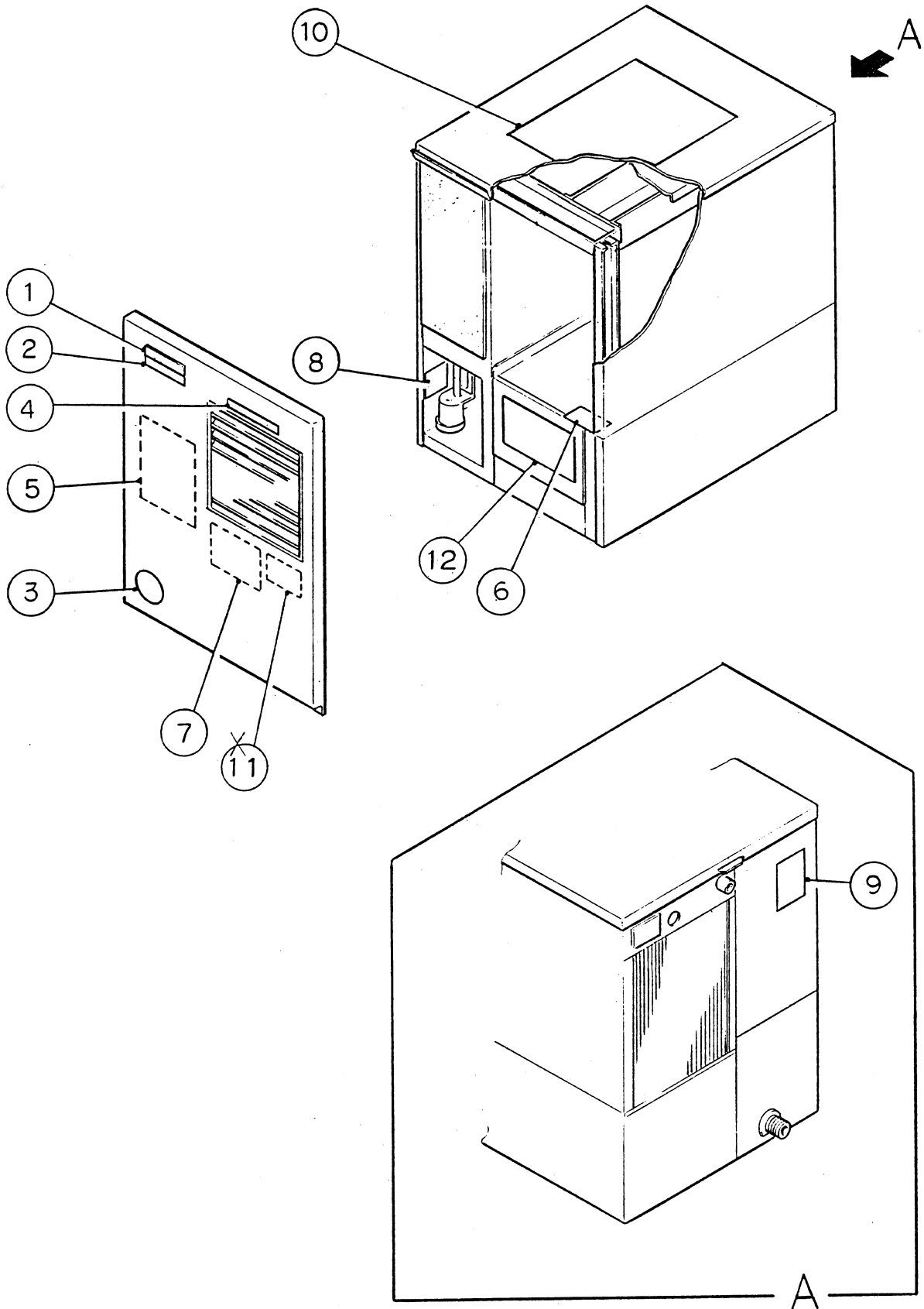


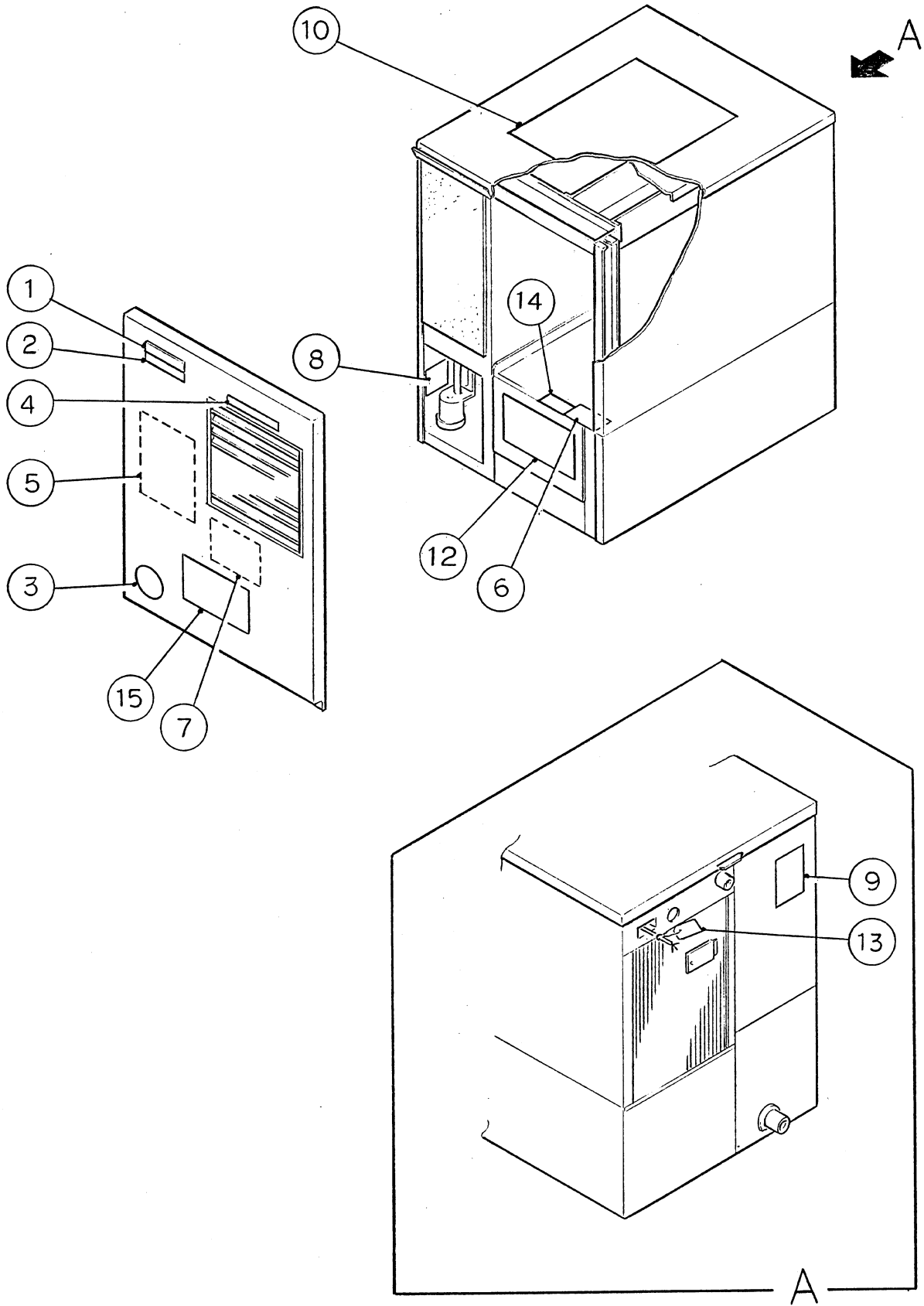


HA

MODEL		TITLE		REQ'D NUMBER			
KM-452 ALL		D. CONT. BOX ASSY		H-1	J-1	J-2	
INDEX NO.	DESCRIPTION	MATERIAL OR MODEL NUMBER	PART NUMBER	H-1	J-1	J-2	
1	Cont. Box	G.S	212382G01	1	1	1	
2	Run Capacitor	PMT-33550P	428391-01	1	1	1	
3	Start Capacitor	MS220F 160J-R	428392-01	1	1	1	
4	Strap	G.S	434580-01	1	1	1	
5	Starter	FST-155B	3U0086-01	1	1	1	
6	Magnetic Contactor	VC20	428393-01	1	1	1	
7	Bracket	-	428393F01	1	1	1	
8	Capacitor	230V, 5.5 μ F	428641-02	1	1	1	
9	Transformer	H2HA016H01	3U0113-01	1	1	1	
10	Controller Board	H2AA037	2U0103-01	1	1	1	
11	Board Support	KGLS-6S	414929-01	6	6	6	
12	Switch Bracket	G.S	433717-01	1	1	1	
13	Control Label	PES Film	433194-01	1	1	1	
14	Thermostat	YTB-3U105	433536-01	1	1	1	
15	Toggle Switch	ST210P	428638-01	1	1	1	
16	Bushing	SB-1093-15	420470-03	1	1	1	
17	Bushing	OCB-500	428394-02	1	1	1	
18	Switch Cover	ABS	434581-01	1	X		
			436333-01		①	1	
19	Tapping Screw	3x8	431415-01			2	

E



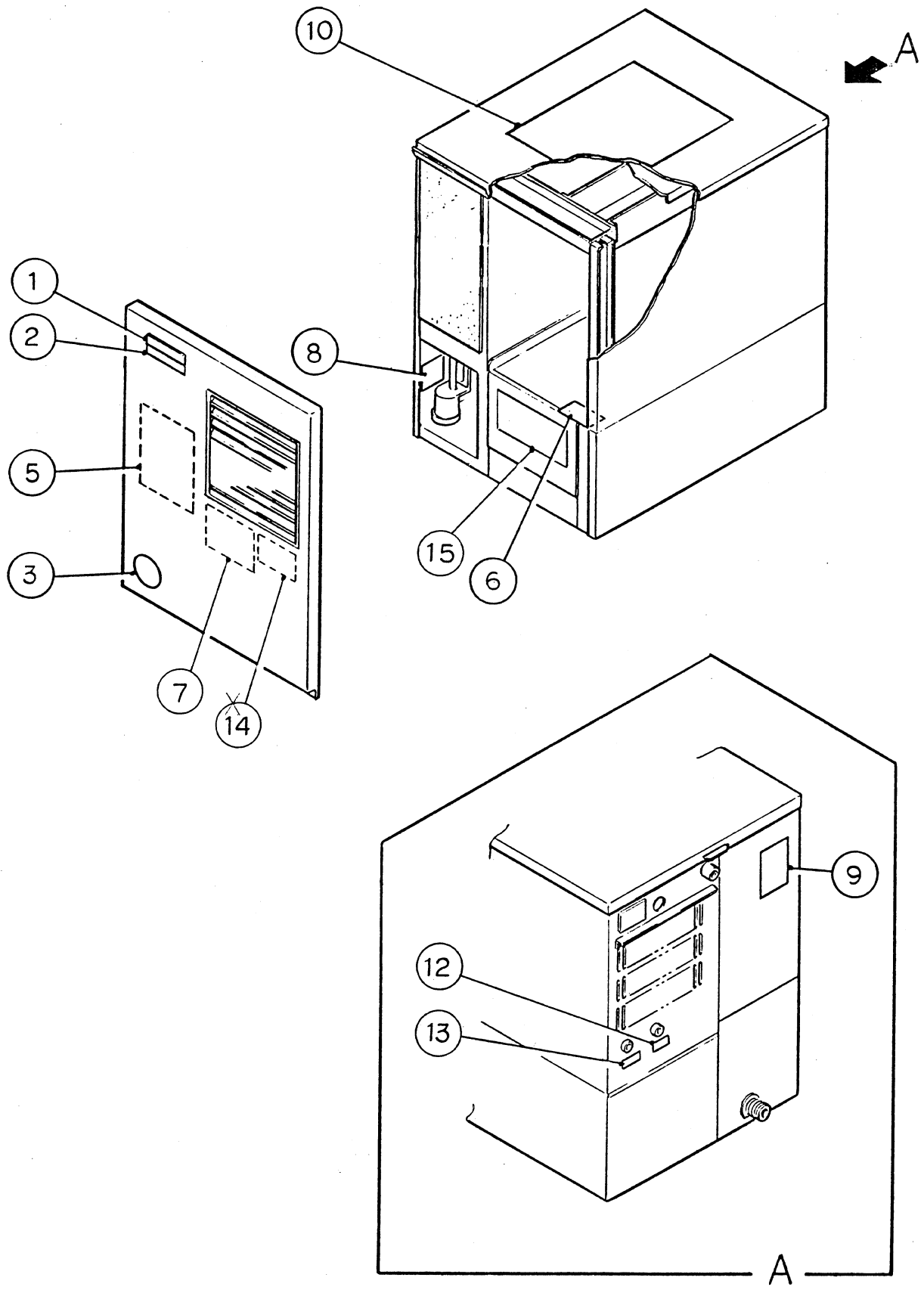


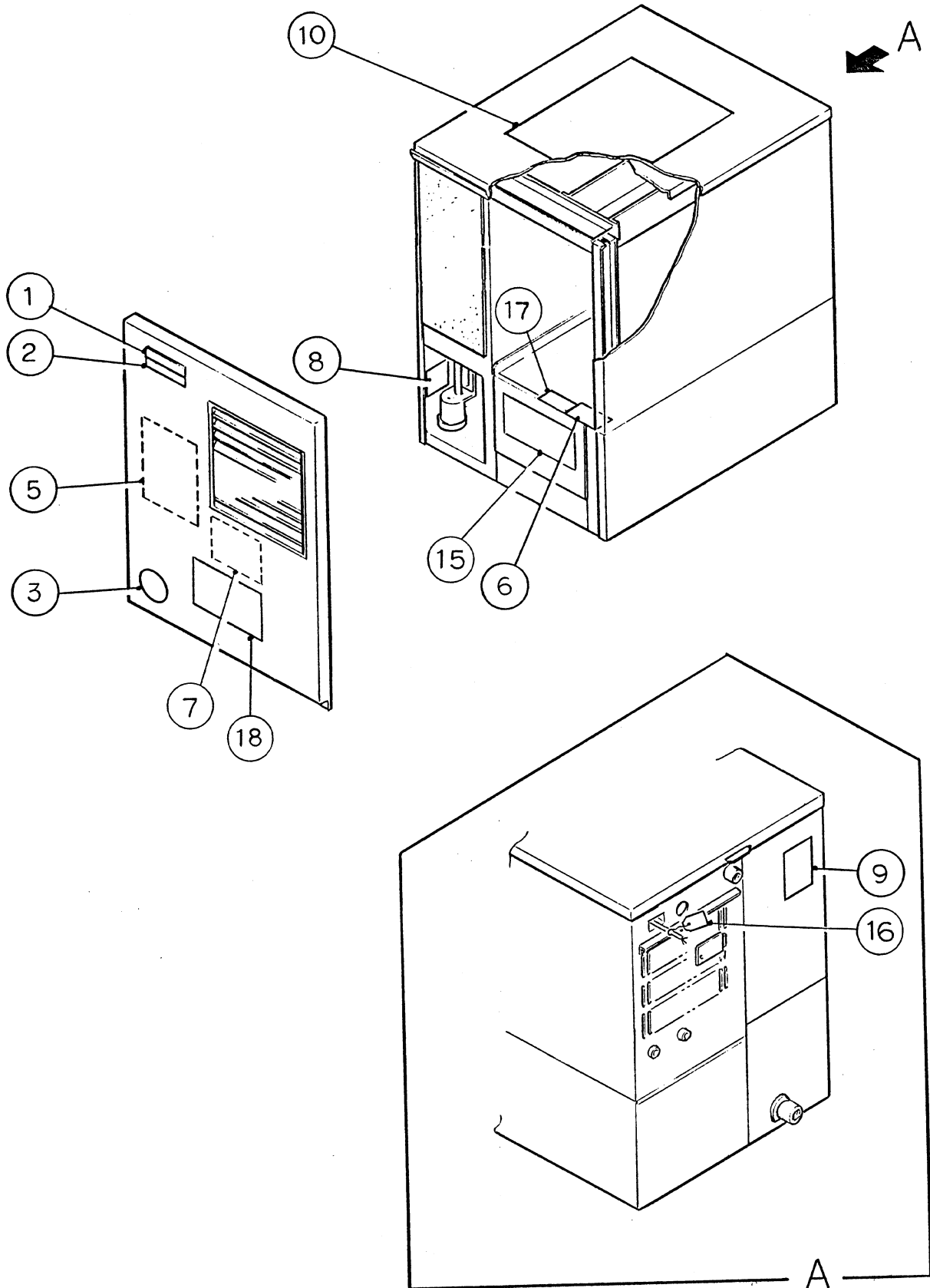
HA

MODEL		TITLE		REQ'D NUMBER				
KM-452DU		E. LABEL LOCATION		H-1	J-1	J-2		
INDEX NO.	DESCRIPTION	MATERIAL OR MODEL NUMBER	PART NUMBER					
1	Emblem (L) - HOSHIZAKI	ABS	418634G01	1	1	1		
2	Model Number Label	PETP Film	433777-**	1	-			
			436096-01		1	1		
3	Label - Penguin (R)	PVC Film	410994-01	1	1	1		
4	Label - Air Filter	PETP Film	426177-01	1	1	1		
5	Maintenance Label	PVC Film	321289-01	1	1	1		
6	Warning Label	PVC Film	431092-01	1	1	1		
7	Wiring Diagram Label	PVC Film	322076-01	1	1	1		
8	Manual Label - Float Switch	PVC Film	427043-01	1	1	1		
9	Nameplate	PETP Film	434311-01	1	1	1		
10	Instruction Sheet	Paper	211625-01	1	-			
			212621-01		1	1		
11	Timer Label	PVC Film	434164-01	X	-			
12	Manual Label	PVC Film	322334-01	1	1	1		
13	Tag - Warning: Electrical Conection	Paper	435005-01	①	1	1		
14	Label - R502	PES Film	4A0026-01		1	1		
15	Installation Label	Paper	3A0032-01		1	1		

E

** is as same as the Auxiliary Code.



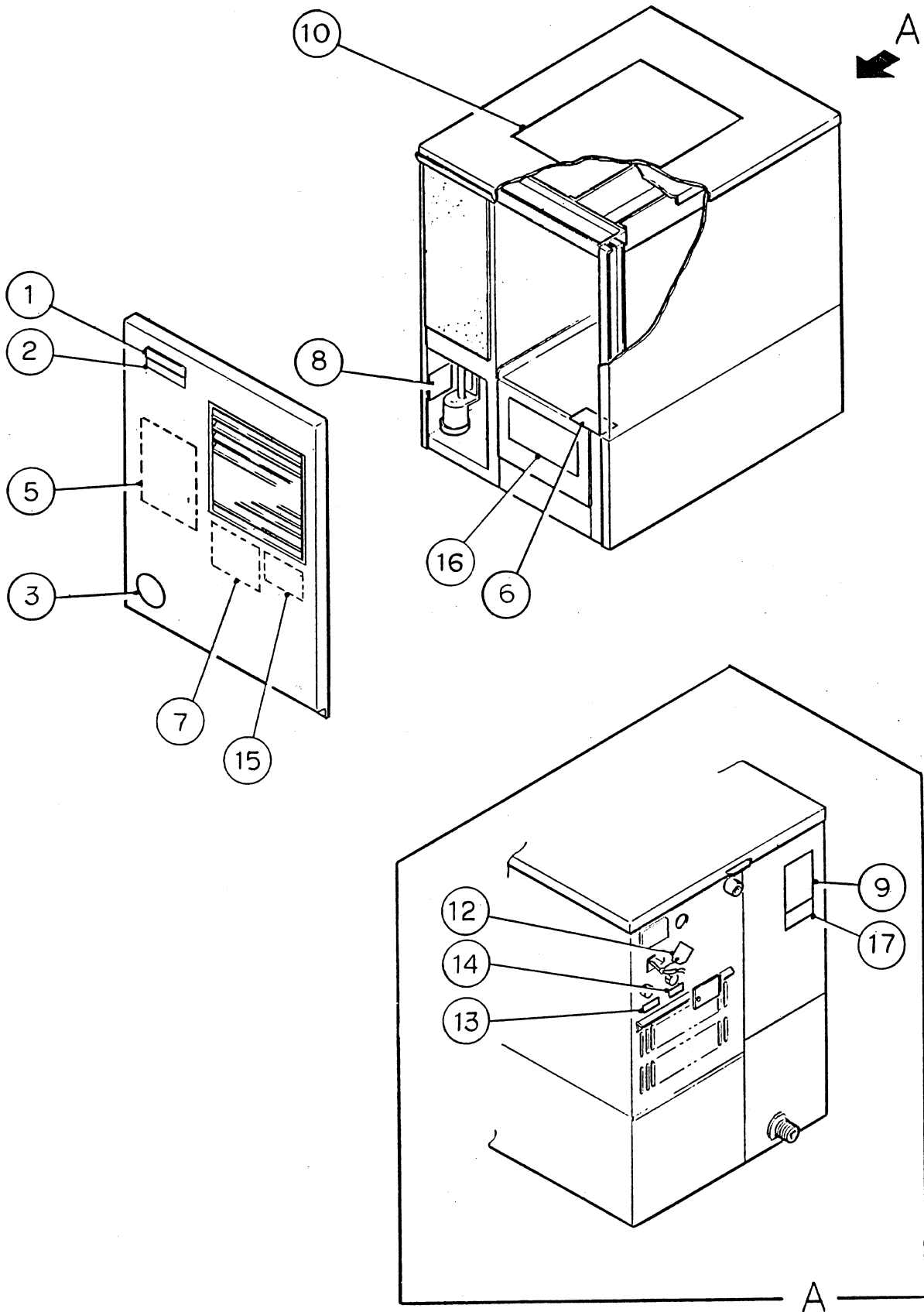


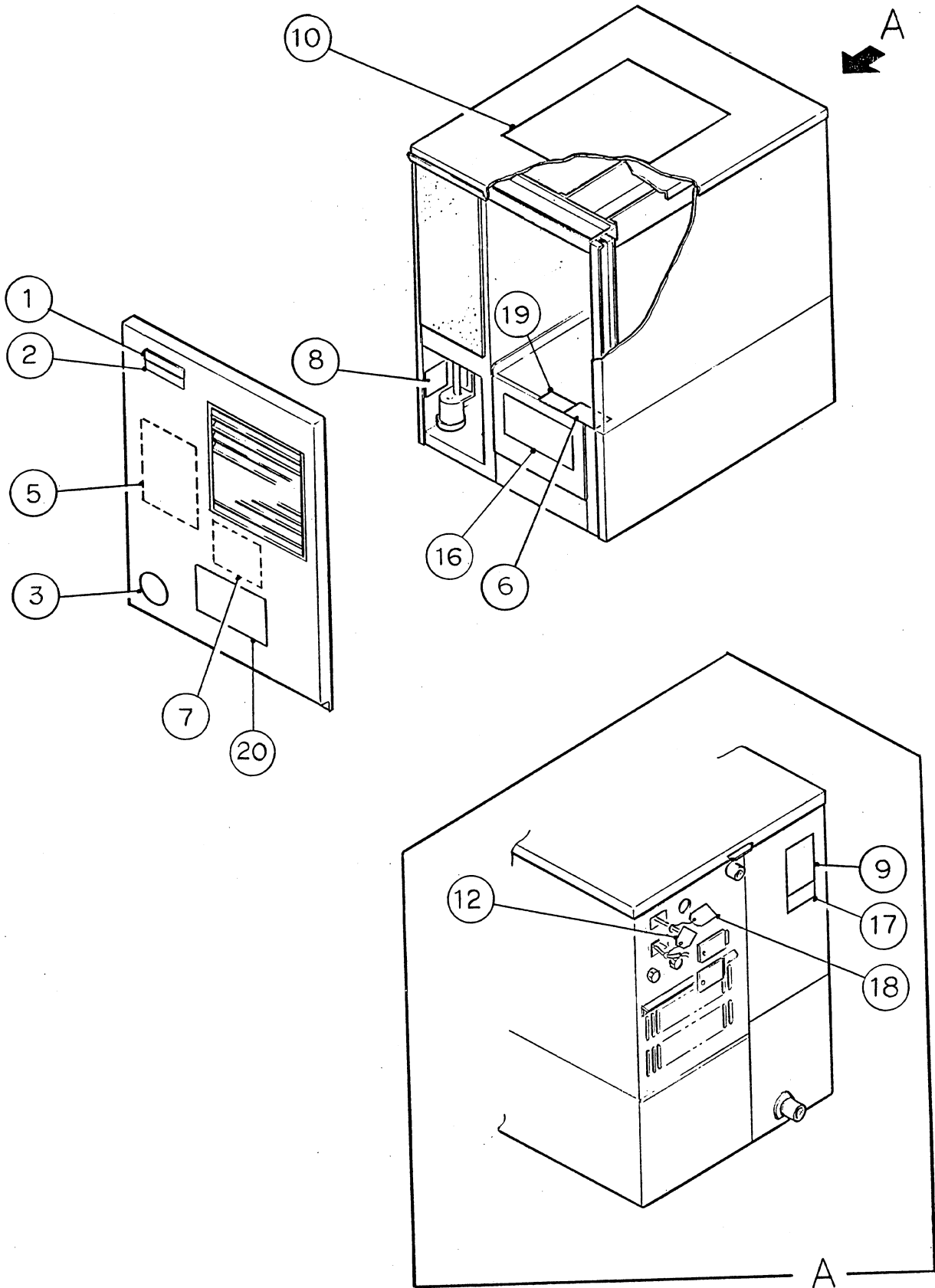
HA

MODEL		TITLE		REQ'D NUMBER			
KM-452DWU		E. LABEL LOCATION		H-1	J-1	J-2	
INDEX NO.	DESCRIPTION	MATERIAL OR MODEL NUMBER	PART NUMBER				
1	Emblem (L) - HOSHIZAKI	ABS	418634G01	1	1	1	
2	Model Number Label	PETP Film	433778-**	1	-		
			436097-01		1	1	
3	Label - Penguin (R)	PVC Film	410994-01	1	1	1	
4	-	-	-	-	-	-	
5	Maintenance Label	PVC Film	321289-01	1	1	1	
6	Warning Label - Danger	PVC Film	425322-01	1	1	1	
7	Wiring Diagram Label	PVC Film	322076-01	1	1	1	
8	Manual Label - Float Switch	PVC Film	427043-01	1	1	1	
9	Nameplate	PETP Film	434312-01	1	1	1	
10	Instruction Sheet	Paper	211625-01	1	-		
			212621-01	1	1	1	
11	-	-	-	-	-	-	
12	Label - Inlet	PETP Film	418029-04	X			
			435265-01	①	-	1	
13	Label - Outlet	PETP Film	418029-05	X			
			435265-02	①	-	1	
14	Timer Label	PVC Film	434164-01	X			
15	Manual Label	PVC Film	322334-01	1	1	1	
16	Tag - Warning: Electrical Connection	Paper	435005-01	①	1	1	
17	Label - R502	PES Film	4A0026-01		1	1	
18	Installation Label	Paper	3A0032-01		1	1	

E

** is as same as the Auxiliary Code.



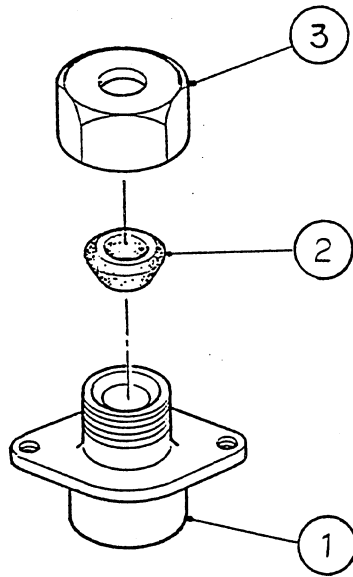


HA

MODEL		TITLE					
KM-452DSU		E. LABEL LOCATION					
INDEX NO.	DESCRIPTION	MATERIAL OR MODEL NUMBER	PART NUMBER	REQ'D NUMBER			
				H-1	J-1	J-2	
1	Emblem (L) - HOSHIZAKI	ABS	418634G01	1	1	1	
2	Model Number Label	PETP Film	433779-**	1	-		
			436098-01		1	1	
3	Label - Penguin (R)	PVC Film	410994-01	1	1	1	
4	-	-	-	-			
5	Maintenance Label	PVC Film	321289-01	1	1	1	
6	Warning Label	PVC Film	431092-01	1	1	1	
7	Wiring Diagram Label	PVC Film	322077-01	1	1	1	
8	Manual Label - Float Switch	PVC Film	427043-01	1	1	1	
9	Nameplate	PETP Film	434313-01	1	1	1	
10	Instruction Sheet	Paper	211625-01	1	-		
			212621-01		1	1	
11	-	-	-	-			
12	Tag - Fan Motor Leads	Paper	420742-01	1	1	1	
13	Label - Discharge	PETP Film	434163-01	1	-		
14	Label - Liquid	PETP Film	434163-02	1	-		
15	Timer Label	PVC Film	434164-01	X			
16	Manual Label	PVC Film	322334-01	1	1	1	
17	Label - Charge	PES Film	434362-01	1	1	1	
18	Tag - Warning: Electrical Connection	Paper	435005-01	①	1	1	
19	Label - R502	PES Film	4A0026-01		1	1	
20	Installation Label	Paper	3A0032-01		1	1	

E

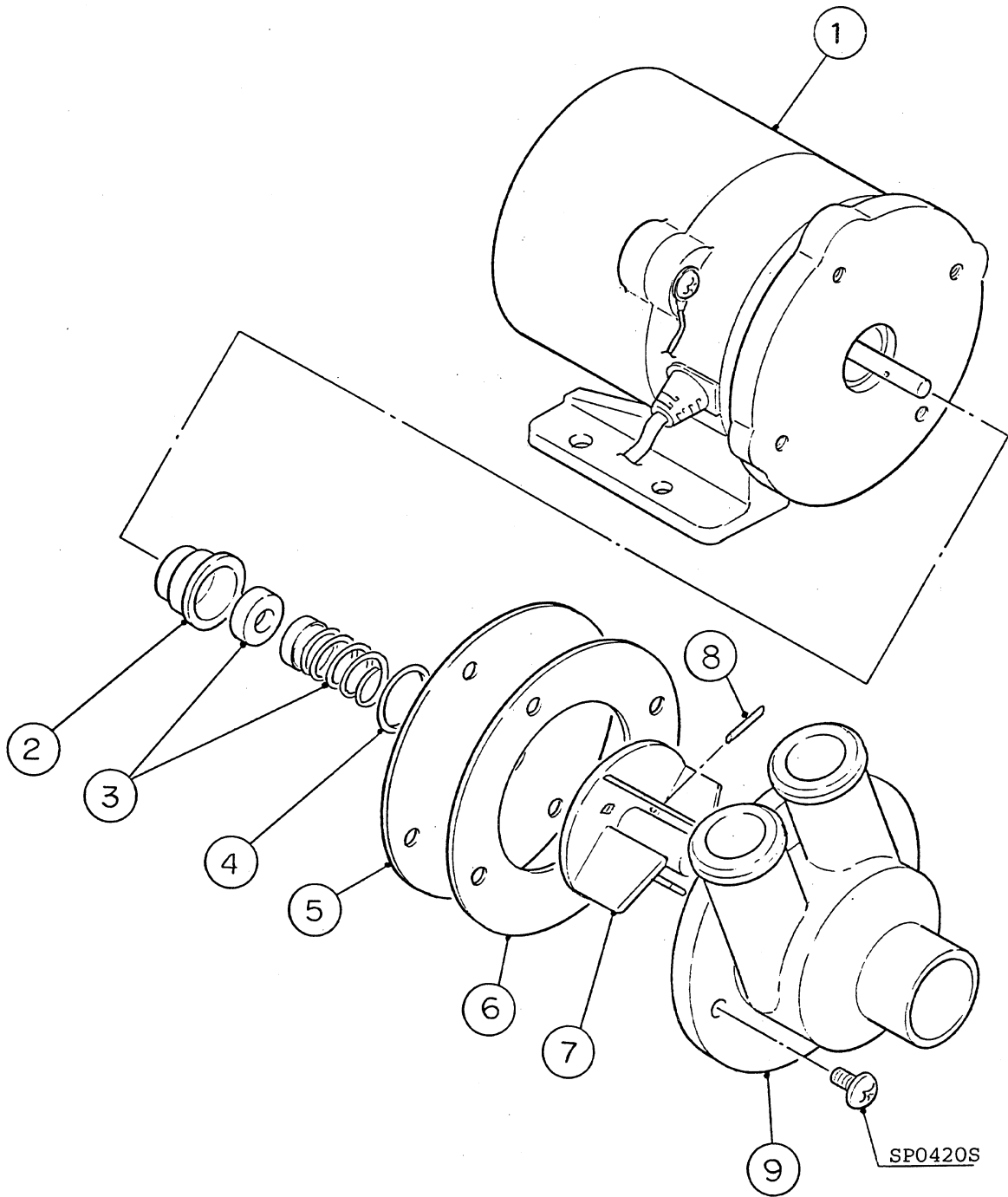
** is as same as the Auxiliary Code.



HA

MODEL		TITLE					
KM-452 ALL		F. FITTING (P) ASSY					
INDEX NO.	DESCRIPTION	MATERIAL OR MODEL NUMBER	PART NUMBER	REQ'D NUMBER			
				H-1	J-1	J-2	
1	Fitting (K)	Brass	310978-01	1	1	1	
2	Taper Packing (A)	Sy.R	415715-01	1	1	1	
3	Nut Fitting	Brass	415713-01	1	1	1	

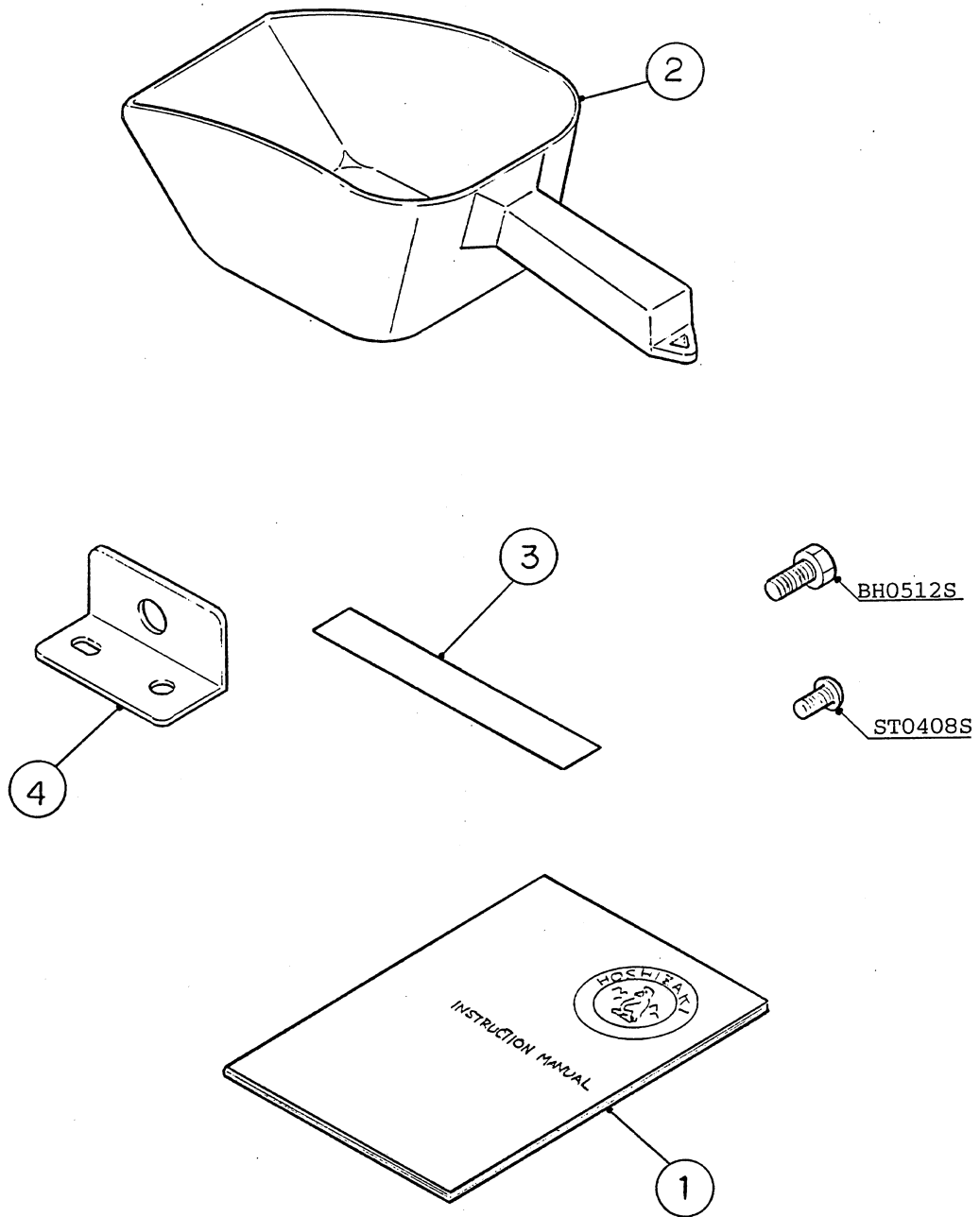
E

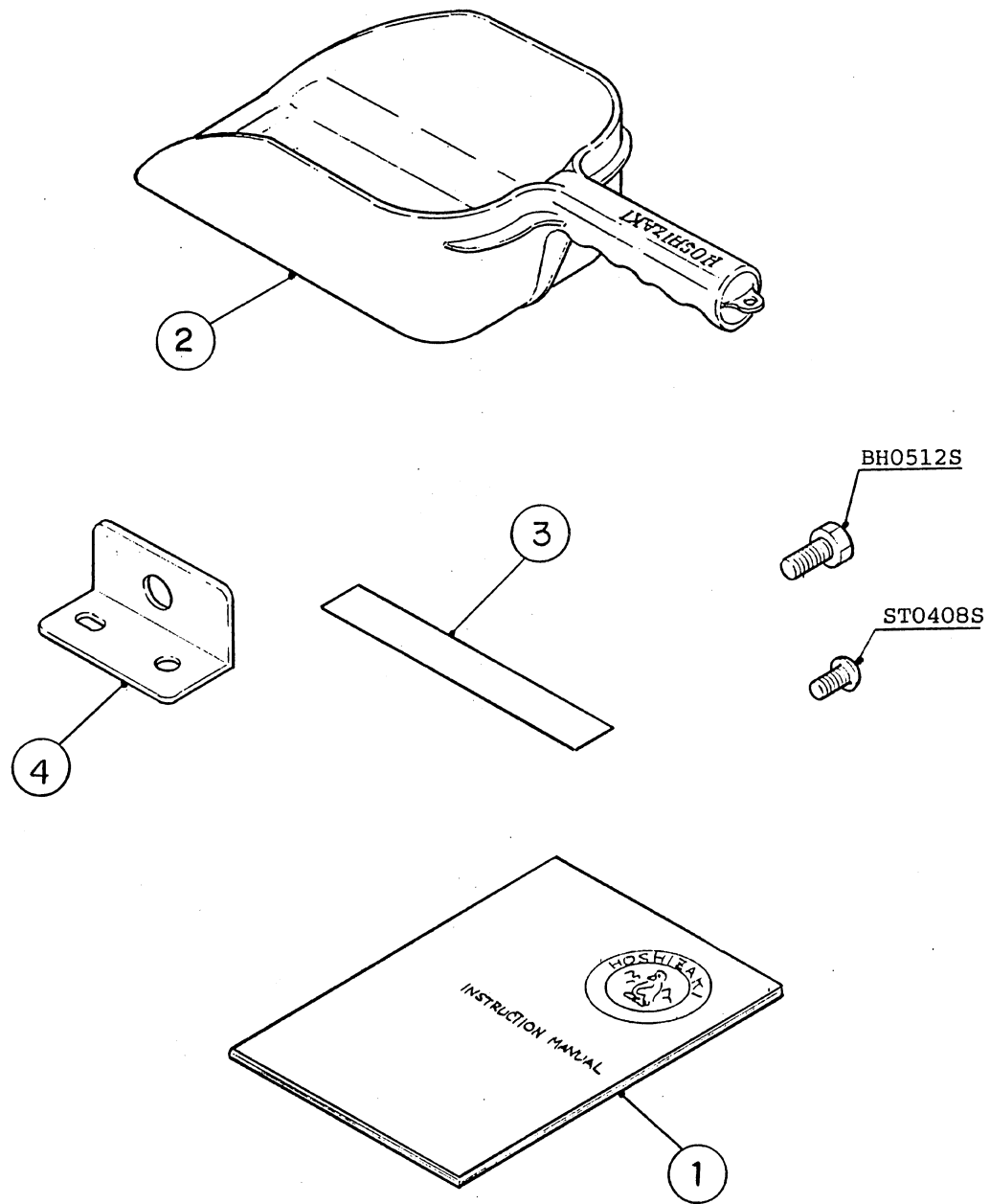


HA

MODEL		TITLE		REQ'D NUMBER				
KM-452 ALL		G. PUMP MOTOR ASSY		H-1	J-1	J-2		
INDEX NO.	DESCRIPTION	MATERIAL OR MODEL NUMBER	PART NUMBER	H-1	J-1	J-2		
1	Pump Motor	AP-TA4(H)	2U0095-01	1	1	1		
2	Retainer	S.S	418584-01	1	1	1		
3	Mechanical Seal (B)	H5-PS9 ϕ 5	415817-01	1	1	1		
4	"O" Ring	1AP18	7611-P018	1	1	1		
5	Plate - Pump	S.S	403013-01	1	1	1		
6	Pump Gasket	NR	403014-01	1	1	1		
7	Impeller	ABS	433522-01	1	1	1		
8	Pin	S.S	414102-01	1	1	1		
9	Pump Housing	ABS	211409-01	1	1	1		

E





HA

MODEL		TITLE		REQ'D NUMBER								
KM-452 ALL		H. ACCESSORIES		INDEX NO.	DESCRIPTION	MATERIAL OR MODEL NUMBER	PART NUMBER	H-1	J-1	J-2		
1	Instruction Manual	Paper	91U1HF10A	1	-							
			91U1HF10B						1	1		
2	Scoop	PE	208185-01	1	1					-		
		PS	437625-01								1	
3	Label - Fastener	Paper	427122-01	1	1					1		
4	Brace	G.S	433469-01	2	2					2		

E

MODULAR CRESCENT CUBER

**MODEL
KM-452 SERIES**

PARTS LIST

ISSUED: DEC. 1, 1987

REVISED: SEP. 28, 1989

PRINTED: APR. 24, 1995

ITEM NO: 71053