

EFFECTIVE: SEP. 25, 1986
REVISED : FEB. 21, 1989
FINAL

PARTS LIST

MODULAR CRESCENT

MODEL KM-451 SERIES

TYPE	F-1	DEC. 1985
	F-2	JAN. 1986
	G-0	DEC. 1986 (DWU)
	G-1	DEC. 1986 (DU)
	H-1	DEC. 1987

HA



HOSHIZAKI
HOSHIZAKI ELECTRIC CO., LTD.

TOYOAKE, AICHI, JAPAN
PHONE: 0562-97-2111
TELEX-NO: 04486-514 HOSHI J

PRINTED IN JAPAN

PLASTIC

ABS = Acrylonitrile-butadiene-styrene
AC = Acetal copolymer
= Acetal
= Polyacetal
EVA = Ethylene vinyl acetate
PA = Polyamide = Nylon
PC = Polycarbonate
PE = Polyethylene
PES = Polyester
PETP = Polyethylene terephthalate = Tetlon
PP = Polypropyleneoride
PS = Polystyrene
PTFE = Polytetrafluoroethylene = Teflon
PUR = Polyurethane
PVC = Plyvinyl chloride

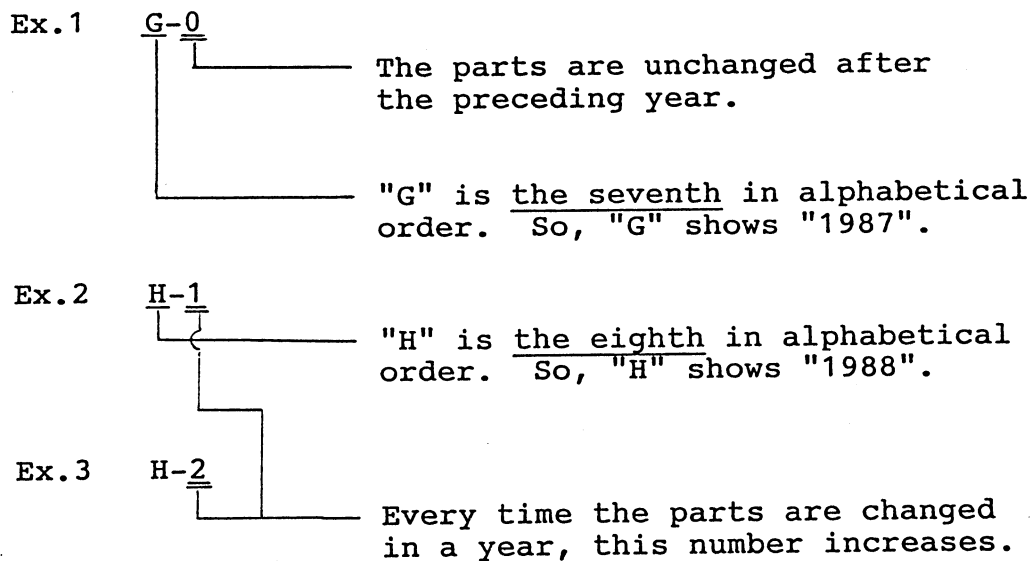
RUBBER

EPDM = EP rubber
NBR = Nitrile butadiene rubber
NR = Natural rubber
SI.R = Silicone rubber
Sy.R = Synthetic rubber

STEEL

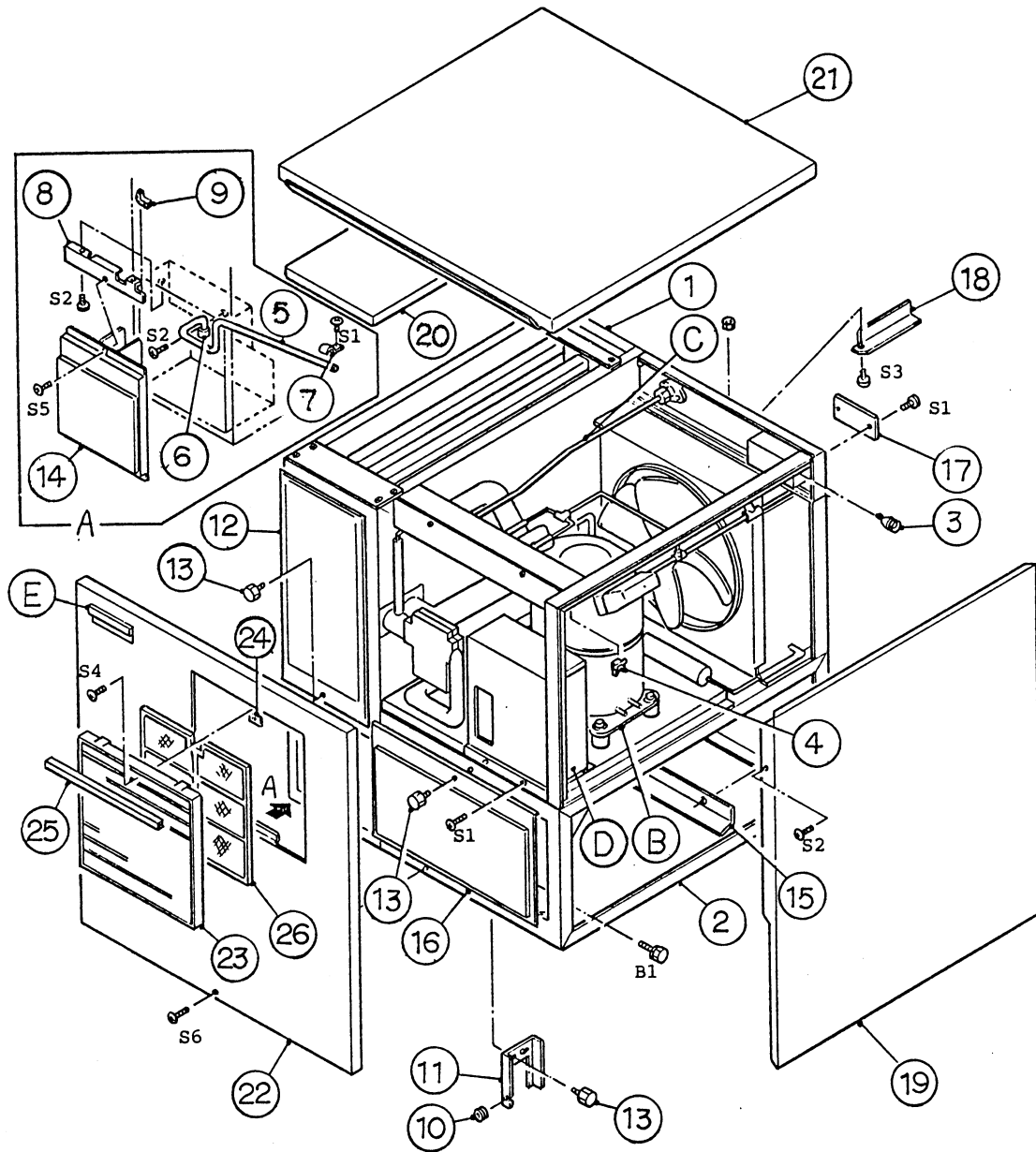
G.S = Galvanized steel
S.S = Stainless steel

Auxiliary Code



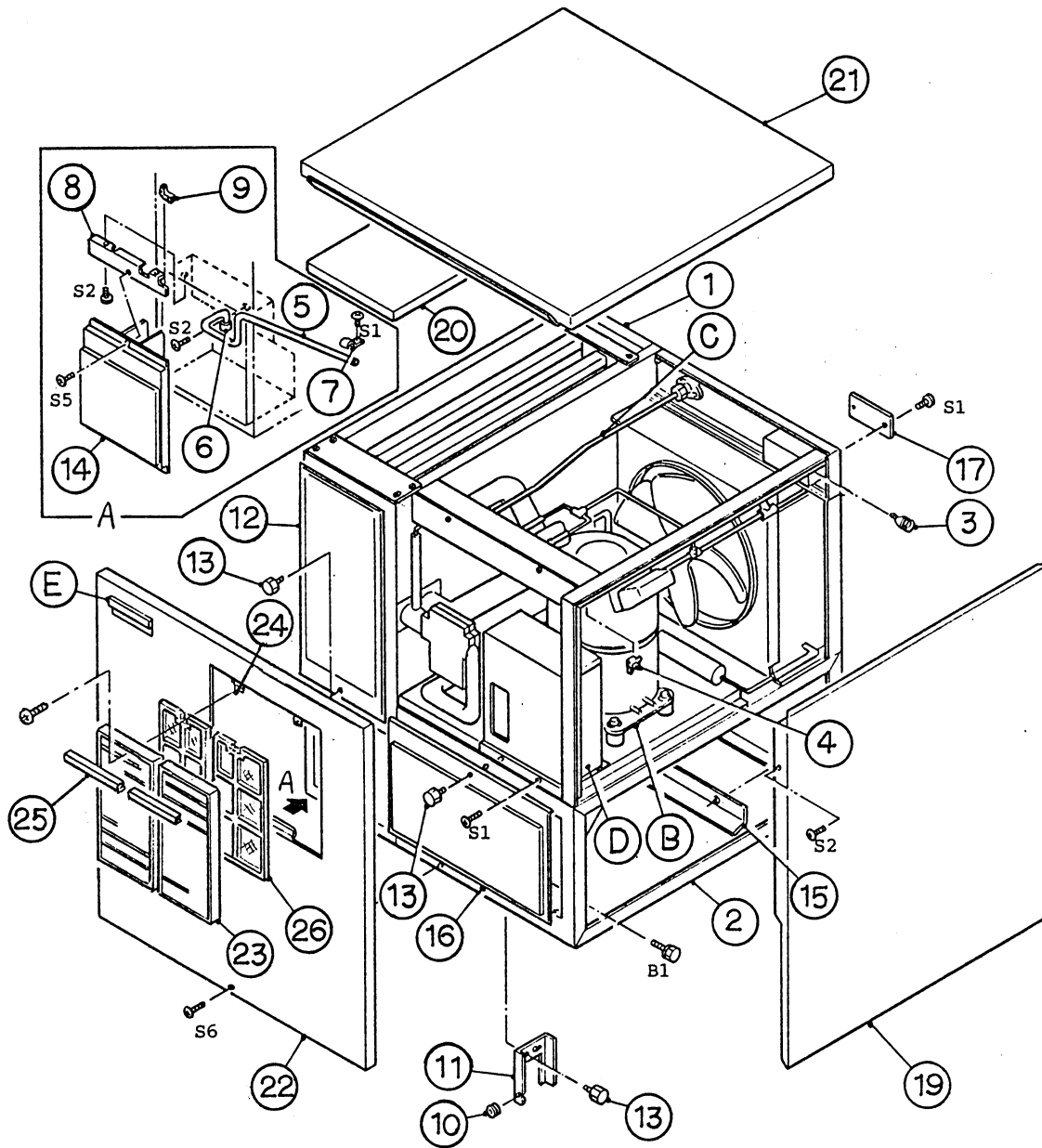
[Note]

- = Parts was erased.
- X = Parts was erased. (Interchangeable)
- = New parts for " X " in the same Auxiliary Code.



FASTENER

- S1 - TRUSS HEAD TAPPING SCREW, M4x8
- S2 - TRUSS HEAD TAPPING SCREW, STAINLESS, M4x8
- S3 - TRUSS HEAD MACHINE SCREW, M4x8
- S4 - TRUSS HEAD MACHINE SCREW, STAINLESS, M4x8
- S5 - TRUSS HEAD MACHINE SCREW, STAINLESS, M4x6
- S6 - TRUSS HEAD MACHINE SCREW, STAINLESS, M4x30
- B1 - HEXAGON BOLT AND SPRING WASHER + PLAIN WASHER ASSY, STAINLESS, M6x16



FASTENER

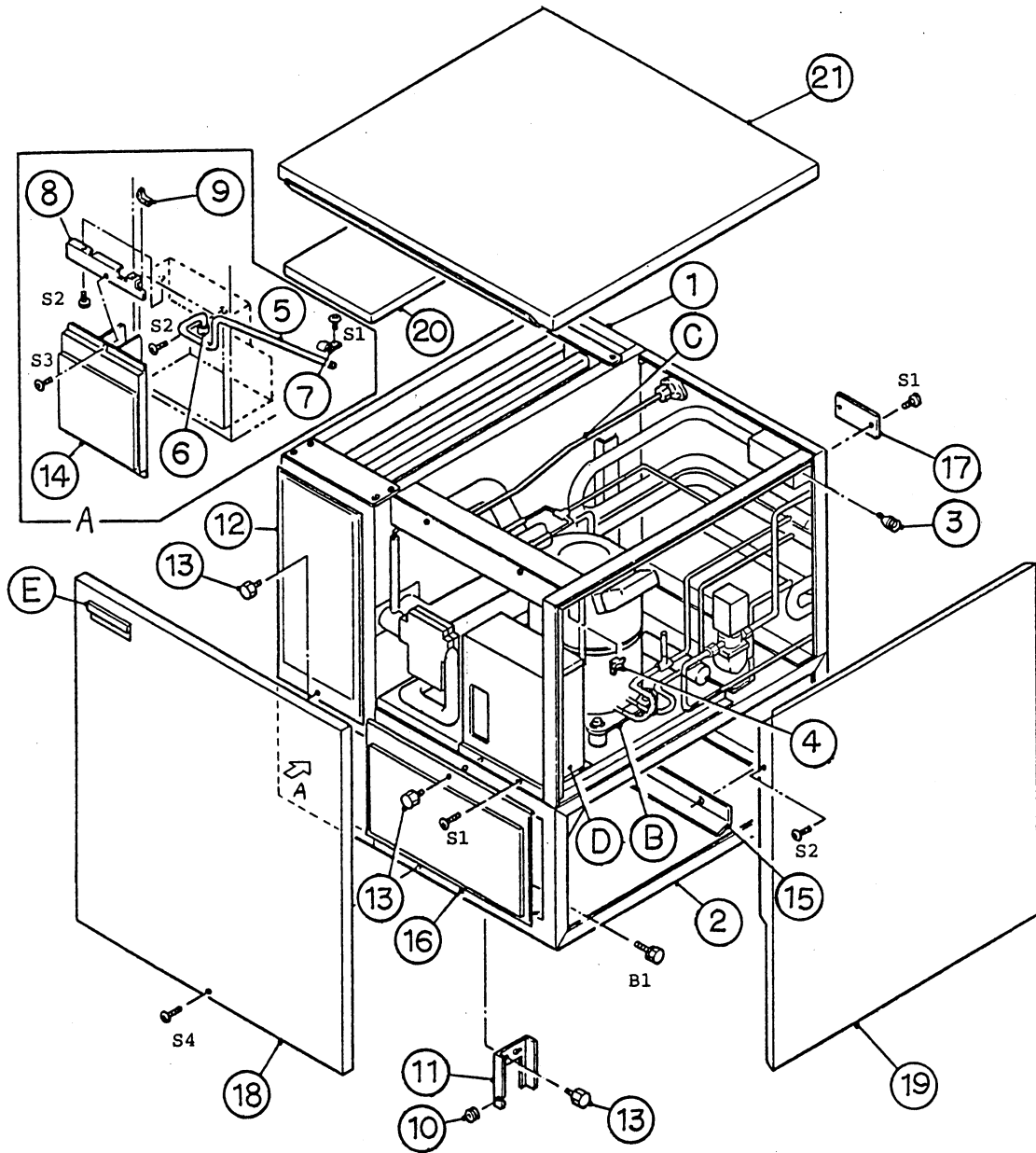
- S1 - TRUSS HEAD TAPPING SCREW, M4x8
- S2 - TRUSS HEAD TAPPING SCREW, STAINLESS, M4x8
- S3 - TRUSS HEAD MACHINE SCREW, M4x8
- S4 - TRUSS HEAD MACHINE SCREW, STAINLESS, M4x8
- S5 - TRUSS HEAD MACHINE SCREW, STAINLESS, M4x6
- S6 - TRUSS HEAD MACHINE SCREW, STAINLESS, M4x30
- B1 - HEXAGON BOLT AND SPRING WASHER + PLAIN WASHER ASSY, STAINLESS, M6x16

MODEL		TITLE						
KM-451DU		A. ICE CUBER ASSEMBLY						
INDEX NO.	DESCRIPTION	MATERIAL OR MODEL NUMBER	PART NUMBER	REQ'D NUMBER				
				F-1	F-2	G-1	H-1	
B	REFRIGERATION UNIT	-	103487A01	1	1	-		
			103487A02			1	1	
C	WATER CIRCUIT ASSEMBLY	-	103450A01	1	-			
			103824A01		1	1	1	
D	CONTROL BOX ASSEMBLY	-	209373A01	1	1	1	1	
E	LABEL LOCATION	-	317953A01	1	1	1	1	
1	Evaporator Case - Interior	-	103446G01	1	-			
			103820G01		1	1	1	
2	Frame - Base	G.S	428081G01	1	1	1	1	
3	Bushing	SR-30-1	420472-03	1	1	1	1	
4	Edge Saddle	EDS-2	421552-02	1	1	1	1	
5	Conduit	Copper	428099-01	1	1	1	1	
6	Clamp	NK-6N	418814-06	1	1	1	1	
7	Bracket - Pipe	G.S	428092-01	1	1	1	1	
8	Guard	S.S	426917-01	1	1	1	1	
9	Bushing	KG-012	414116-28	1	1	1	1	
10	Bushing - Capillary Tube	EPDM	425307-01	3	3	3	3	
11	Bracket - Bulb	S.S	426920-01	1	1	1	1	
12	Insulation (Front)	ABS	317713G01	1	1	1	1	
13	Thumbscrew	S.S, ABS	415949G01	3	3	3	3	
14	Cover - Pump Motor	S.S	316891G01	1	1	1	1	
15	Guide	S.S	428100-01	1	1	1	1	
16	Cover - Base	S.S	317714G01	1	1	1	1	
17	Cover - Junction Box	G.S	426922-01	1	1	1	1	
18	Clearance Indicator	G.S	426921-01	1	1	-		
19	Side Panel (Right)	S.S	317716G01	1	1	1	1	
20	Insulation - Top Panel	PUR	428101-01	1	1	1	1	
21	Top Panel	S.S	317717G01	1	1	1	1	
22	Front Panel	S.S	317718-01	1	1	-		
			317718-02			1	1	
23	Louver	ABS	103121-01	1	X			
			103122-01		②	2	2	
24	Nut	S.S	7GU2-A400	1	1	2	2	

E

MODEL		TITLE						
KM-451DU		A. ICE CUBER ASSEMBLY						
INDEX NO.	DESCRIPTION	MATERIAL OR MODEL NUMBER	PART NUMBER	REQ'D NUMBER				
				F-1	F-2	G-1	H-1	
25	Cover - Louver	ABS	316079-01	1	1	-		
		ABS	316080-01			2	2	
26	Air Filter	ABS	208283G01	1	X			
			208284G01		②	2	2	

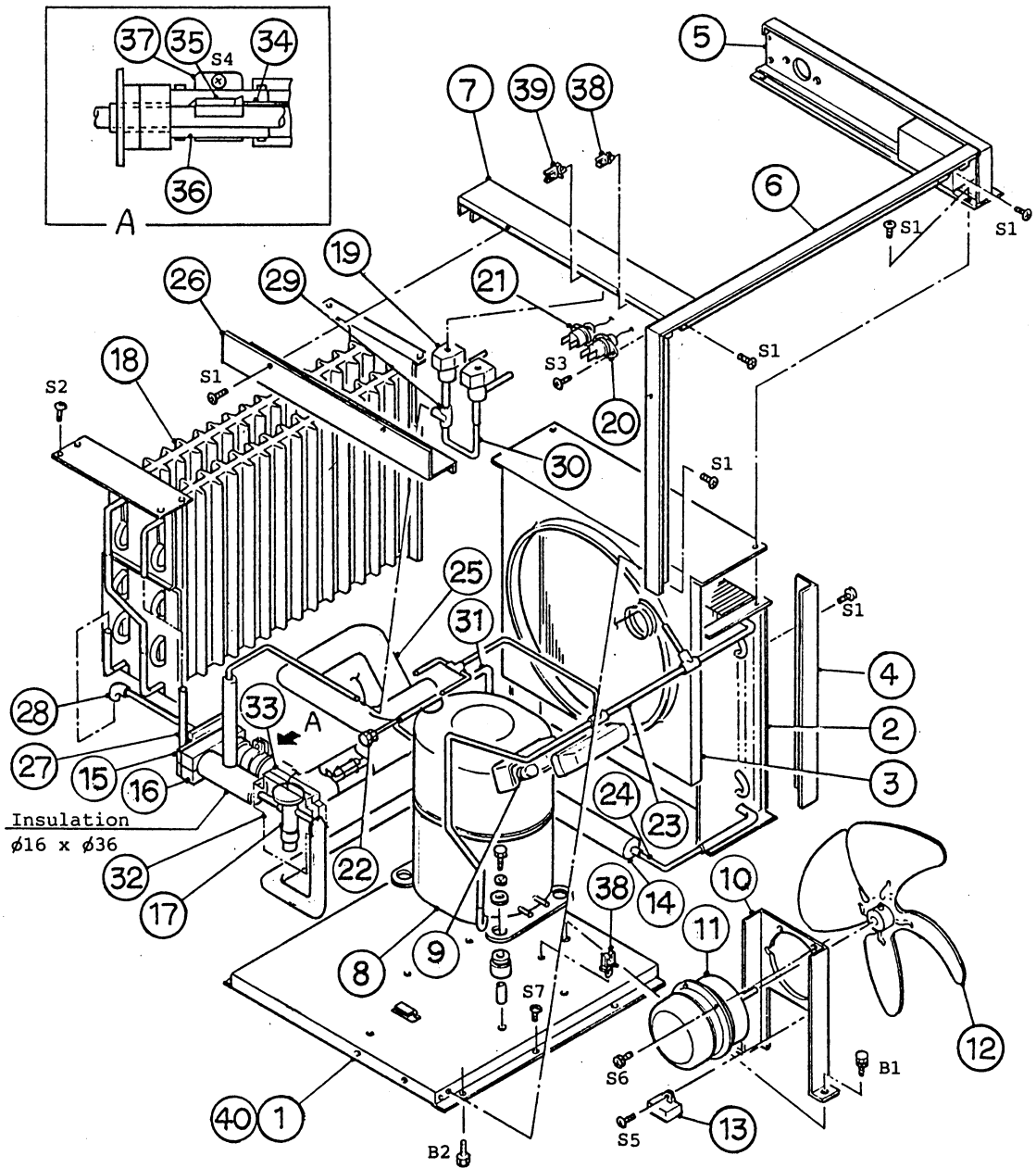
E



FASTENER

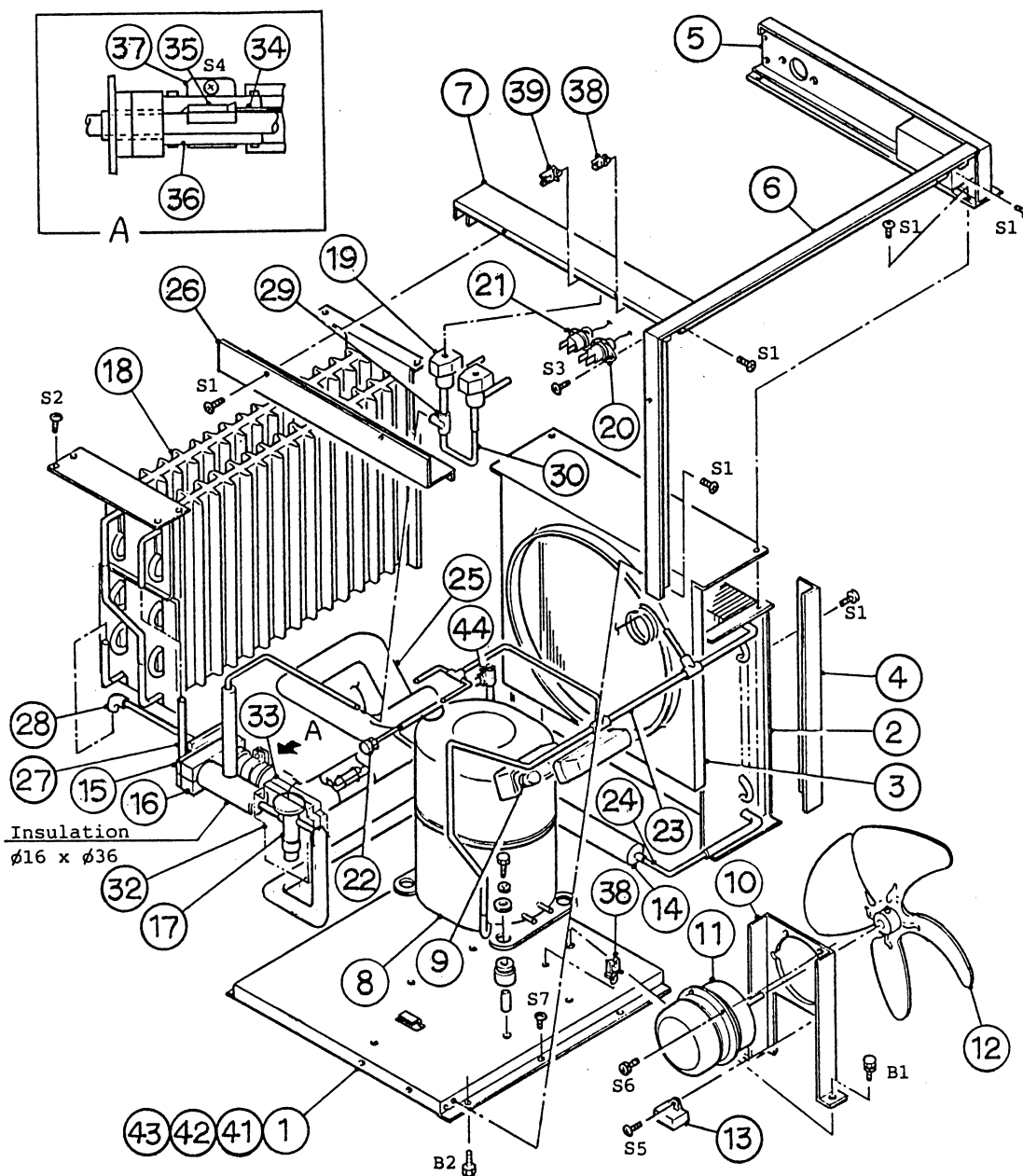
- S1 - TRUSS HEAD TAPPING SCREW, M4x8
- S2 - TRUSS HEAD TAPPING SCREW, STAINLESS, M4x8
- S3 - TRUSS HEAD MACHINE SCREW, STAINLESS, M4x6
- S4 - TRUSS HEAD MACHINE SCREW, STAINLESS, M5x30
- B1 - HEXAGON BOLT AND SPRING WASHER + PLAIN WASHER ASSY, STAINLESS, M6x16

MODEL		TITLE						
KM-451DWU		A. ICE CUBER ASSEMBLY						
INDEX NO.	DESCRIPTION	MATERIAL OR MODEL NUMBER	PART NUMBER	REQ'D NUMBER				
				F-1	F-2	G-0	H-1	
B	REFRIGERATION UNIT	-	103663A01	1	1	1	1	
C	WATER CIRCUIT ASSEMBLY	-	103450A01	1	-			
			103824G01		1	1	1	
D	CONTROL BOX ASSEMBLY	-	209373A01	1	1	1	1	
E	LABEL LOCATION	-	318739A01	1	1	1	1	
1	Evaporator Case - Interior	-	103446G01	1	-			
			103820G01		1	1	1	
2	Frame - Base	G.S	428081G02	1	1	1	1	
3	Bushing	SR-30-1	420472-03	1	1	1	1	
4	Edge Saddle	EDS-2	421552-02	1	1	1	1	
5	Conduit	Copper	428099-01	1	1	1	1	
6	Clamp	NK-6N	418814-06	1	1	1	1	
7	Bracket - Pipe	G.S	428092-01	1	1	1	1	
8	Guard	S.S	426917-01	1	1	1	1	
9	Bushing	KG-012	414116-28	1	1	1	1	
10	Bushing - Capillary Tube	EPDM	425307-01	3	3	3	3	
11	Bracket - Bulb	S.S	426920-01	1	1	1	1	
12	Insulation (Front)	ABS	317713G01	1	1	1	1	
13	Thumbscrew	S.S, ABS	415949G01	3	3	3	3	
14	Cover - Pump Motor	S.S	316891G01	1	1	1	1	
15	Guide	S.S	428100-01	1	1	1	1	
16	Cover - Base	S.S	317714G01	1	1	1	1	
17	Cover - Junction Box	G.S	426922-01	1	1	1	1	
18	Clearance Indicator	G.S	318738-01	1	X			
			318738-02		①	1	1	
19	Side Panel (Right)	S.S	317716G01	1	1	1	1	
20	Insulation - Top Panel	PUR	428101-01	1	1	1	1	
21	Top Panel	S.S	317717G01	1	1	1	1	



FASTENER

- S1 - TRUSS HEAD TAPPING SCREW, M4x8
- S2 - TRUSS HEAD TAPPING SCREW. STAINLESS, M4x8
- S3 - TRUSS HEAD TAPPING SCREW, M3x8
- S4 - TRUSS HEAD MACHINE SCREW, STIANLESS, M4x12
- S5 - TRUSS HEAD MACHINE SCREW, M4x8
- S6 - PAN HEAD SCREW AND SPRING WASHER + PLAIN WASHER ASSY, M4x12
- S7 - TRUSS HEAD MACHINE SCREW, STAINLESS, M4x6
- B1 - HEXAGON BOLT AND SPRING WASHER + PLAIN WASHER ASSY, M5x12
- B2 - HEXAGON BOLT AND SPRING WASHER + PLAIN WASHER ASSY, STAINLESS, M6x12



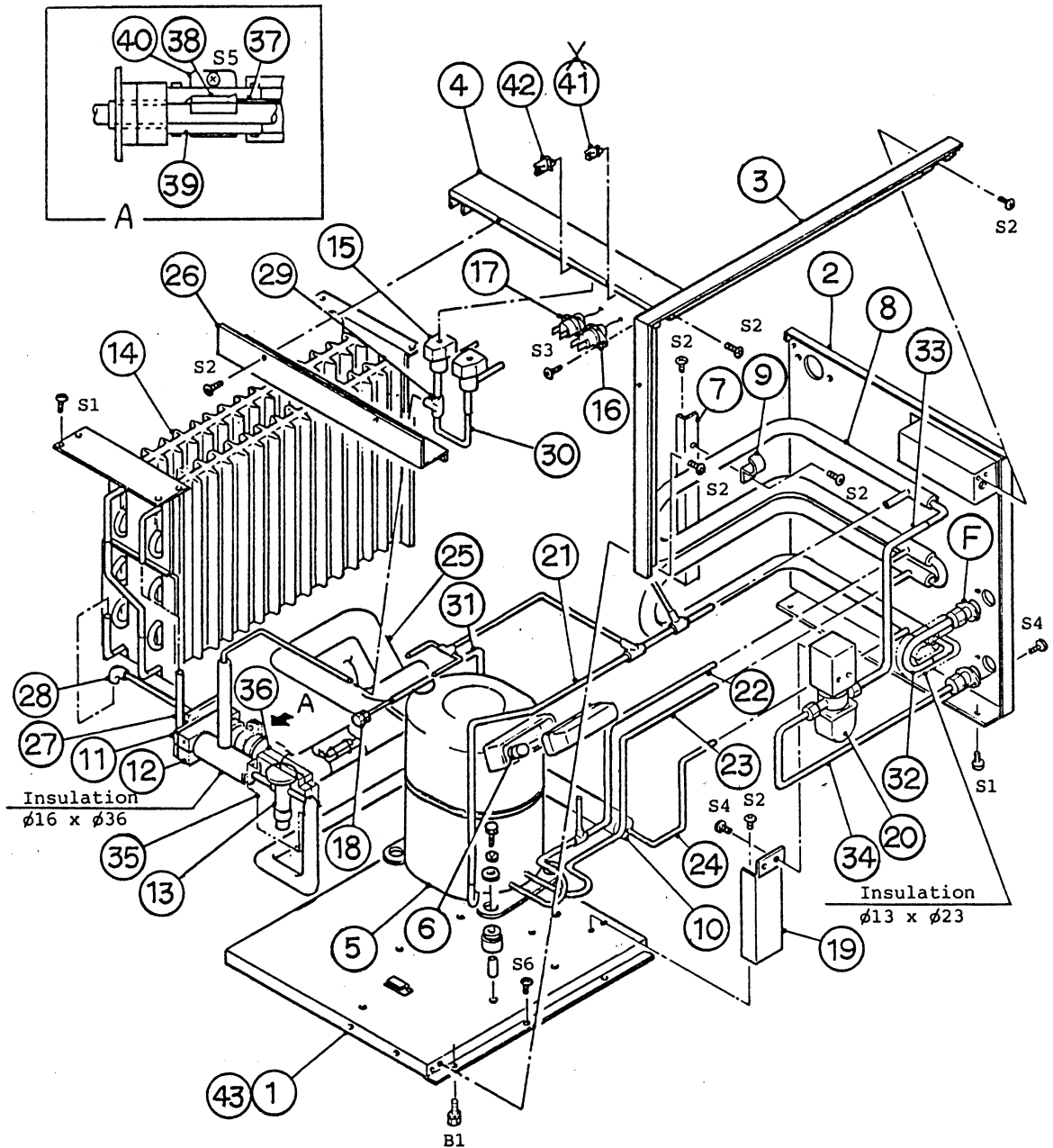
FASTENER

- S1 - TRUSS HEAD TAPPING SCREW, M4x8
- S2 - TRUSS HEAD TAPPING SCREW, STAINLESS, M4x8
- S3 - TRUSS HEAD TAPPING SCREW, M3x8
- S4 - TRUSS HEAD MACHINE SCREW, STAINLESS, M4x12
- S5 - TRUSS HEAD MACHINE SCREW, M4x8
- S6 - PAN HEAD SCREW AND SPRING WASHER + PLAIN WASHER ASSY, M4x12
- S7 - TRUSS HEAD MACHINE SCREW, STIANLESS, M4x6
- B1 - HEXAGON BOLT AND SPRING WASHER + PLAIN WASHER ASSY, M5x12
- B2 - HEXAGON BOLT AND SPRING WASHER + PLAIN WASHER ASSY, STAINLESS, M6x12

MODEL		TITLE						
KM-451DU		B. REFRIGERANT UNIT						
INDEX NO.	DESCRIPTION	MATERIAL OR MODEL NUMBER	PART NUMBER	REQ'D NUMBER				
				F-1	F-2	G-1	H-1	
1	Chassis	G.S	209190G01	1	1	1	1	
2	Condenser - Air-cooled	-	209191-01	1	1	1	1	
3	Shroud	G.S	317702-01	1	1	-		
			317702-02			1	1	
4	Cover	G.S	428083-01	1	1	1	1	
5	Junction Box	G.S	317703G01	1	1	1	1	
6	Frame (A)	G.S	317705G01	1	1	1	1	
7	Frame (B)	G.S	317707-01	1	1	1	1	
8	Compressor	CL75JD-1U	2U0068-01	1	1	1	1	
9	Overload	MRA98549	428193-01	1	1	1	1	
10	Bracket - Fan Motor	G.S	317708-01	1	1	1	1	
11	Fan Motor	IJ30104	2U0064-01	1	1	-		
		EP-TZ56	2U0090-01			1	1	
12	Fan Blade	320MM	425313-02	1	1	-		
		FW-30PHR	421462-01			1	1	
13	Capacitor - Fan Motor	6 μ F, 220V	427076-01	1	1	-		
			431928-01			1	1	
14	Drier	KC-6749	427061-01	1	1	1	1	
15	Seal	(431403A01)	426867-01	1	1	1	1	
16	Insulation - Seal	(431403A01)	427437-01	1	1	1	1	
17	Expansion Valve	ABE-R10-HD-1	428434-01	1	1	1	1	
18	Evaporator	-	103449G01	1	1	1	1	
19	Hot Gas Valve	ABS-25-1-HD-2	3U0033-01	2	2	2	2	
20	Pressure Switch	PS-7	3U0069-01	1	1	1	1	
		CUT OFF 25K						
21	Pressure Switch	PS-7	3U0069-02	1	1	1	1	
		CUT OFF 7K						
22	Access Valve	TCJ-2F15-HD	417366-01	1	1	1	1	
23	Pipe - High Side	Copper	209521G01	1	1	1	1	
24	Pipe - High Side	Copper	428674-01	1	1	1	1	
25	Heat Exchanger	Copper	209522G01	1	1	1	1	
26	Cover - Frame (B)	G.S	428093-01	1	1	1	1	
27	Pipe - Low Side	Copper	318153G01	1	1	1	1	
28	Elbow	Copper	417395-03	1	1	1	1	
29	Tee	Copper	420041-03	1	1	1	1	

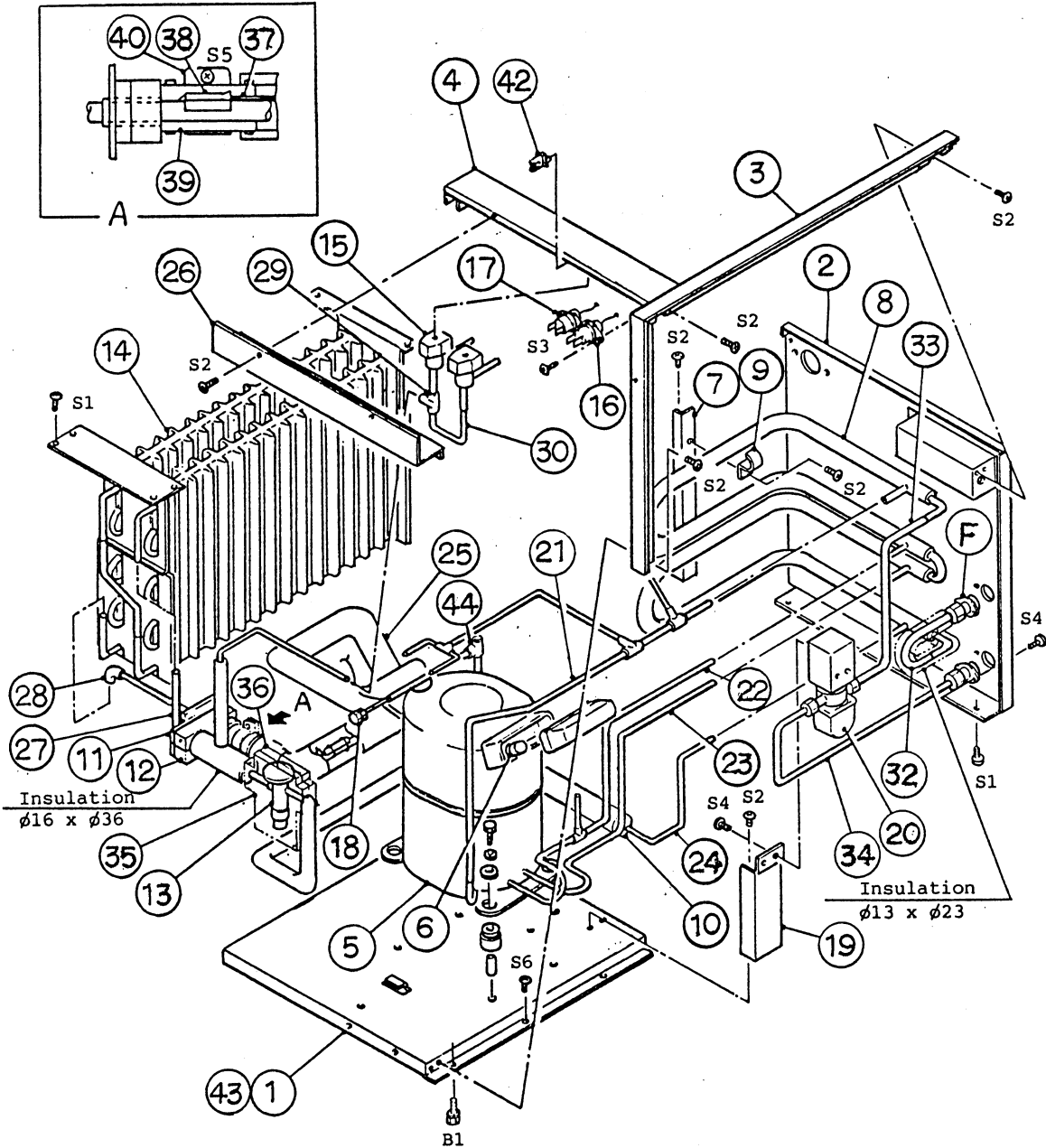
MODEL		TITLE						
KM-451DU		B. REFRIGERANT UNIT						
INDEX NO.	DESCRIPTION	MATERIAL OR MODEL NUMBER	PART NUMBER	REQ'D NUMBER				
				F-1	F-2	G-1	H-1	
30	Pipe - Hot Gas	Copper	428676-01	1	1	1	1	
31	Pipe	Copper	428677-01	1	1	-		
32	Cover (A) - Expansion Valve	PE	317257-01	1	1	1	1	
33	Cover (B) - Expansion Valve	PE	317257-02	1	1	1	1	
34	Thermistor	-	427062-01	1	1	1	1	
35	Holder - Thermistor	Copper	427430-01	1	1	1	1	
36	Insulation - Thermistor	PE	427441-01	1	1	1	1	
37	Bracket - Thermistor	S.S	427431-01	1	1	1	1	
38	Wire Saddle	LWS-2NS	428060-03	1	1	-		
		WS-2NS	427007-02			1	1	
39	Wire Saddle	LWS-3NS	428060-02	1	1	X		
		LWS-4NS	428060-01			①	1	
40	Insulation (A)	PE	431147-01	1	1	-		
41	Insulation (B)	PE	431147-02			1	1	
42	Insulation (C)	PE	431147-03			1	1	
43	Insulation (D)	PE	431147-04			1	1	
44	Tee	Copper	431620-01			1	1	

E



FASTENER

- S1 - TRUSS HEAD TAPPING SCREW, STAINLESS, M4x8
- S2 - TRUSS HEAD TAPPING SCREW, M4x8
- S3 - TRUSS HEAD TAPPING SCREW, M3x8
- S4 - TRUSS HEAD MACHINE SCREW, M4x8
- S5 - TRUSS HEAD MACHINE SCREW, STAINLESS, M4x12
- S6 - TRUSS HEAD MACHINE SCREW, STAINLESS, M4x6
- B1 - HEXAGIN BOLT AND SPRING WASHER + PLAIN WASHER ASSY, STAINLESS, M6x12



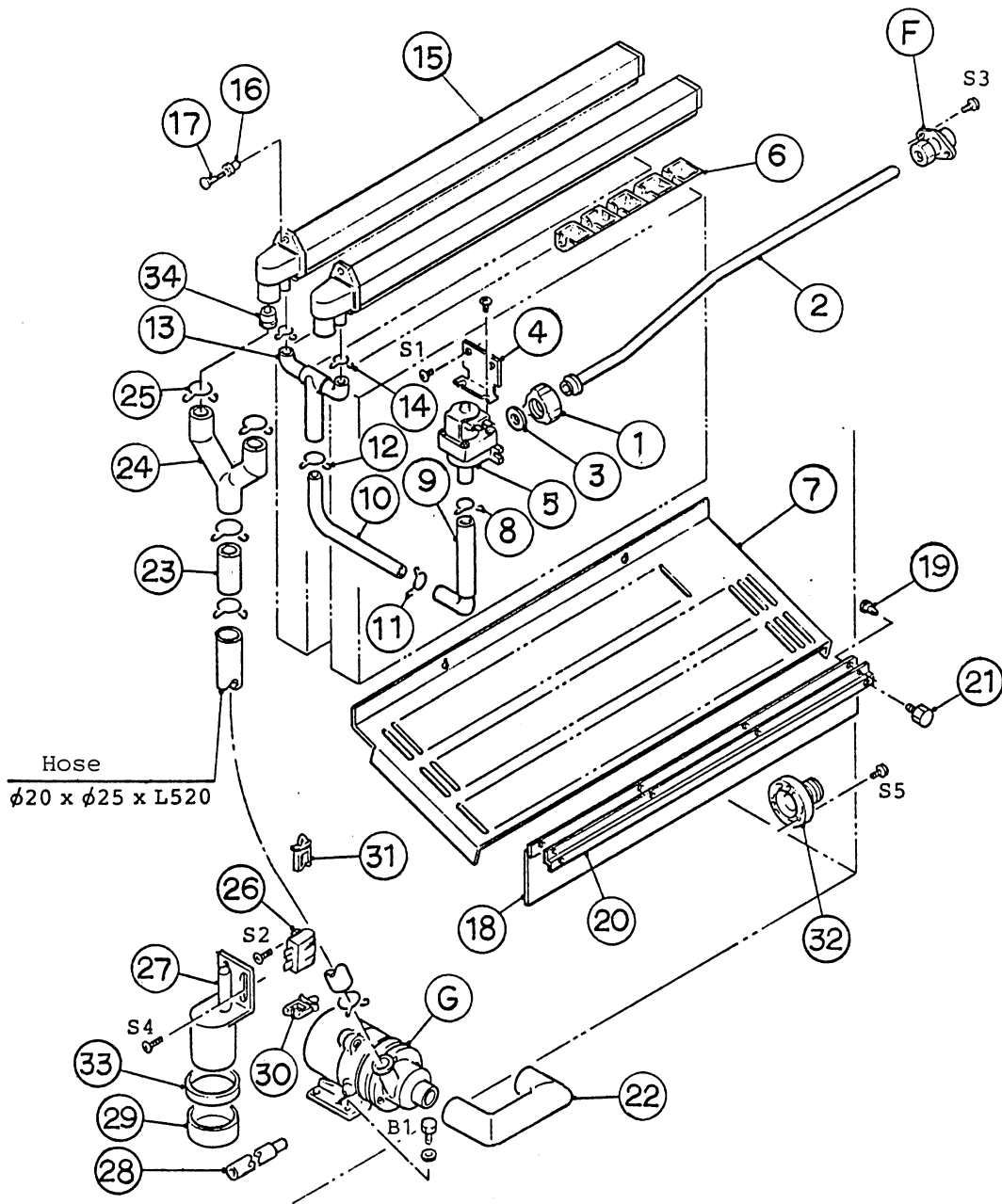
FASTENER

- S1 - TRUSS HEAD TAPPING SCREW, STIANLESS, M4x8
- S2 - TRUSS HEAD TAPPING SCREW, M4x8
- S3 - TRUSS HEAD TAPPING SCREW, M3x8
- S4 - TRUSS HEAD MACHINE SCREW, M4x8
- S5 - TRUSS HEAD MACHINE SCREW, STAINLESS, M4x12
- S6 - TRUSS HEAD MACHINE SCREW, STAINLESS, M4x6
- B1- HEXAGON BOLT AND SPRING WASHER + PLAIN WASHER ASSY, STAINLESS, M6x12

MODEL		TITLE						
KM-451DWU		B. REFRIGERANT UNIT						
INDEX NO.	DESCRIPTION	MATERIAL OR MODEL NUMBER	PART NUMBER	REQ'D NUMBER				
				F-1	F-2	G-0	H-1	
B	FITTING (P) ASSEMBLY	(S-0351)	311425A01	1	1	1	1	
1	Chassis	G.S	209860G01	1	1	1	1	
2	Rear Panel	G.S	209858G01	1	1	1	1	
3	Frame (A)	G.S	317705G01	1	1	1	1	
4	Frame (B)	G.S	317707-01	1	1	1	1	
5	Compressor	CL75JD-1U	2U0068-01	1	1	1	1	
6	Overload	MRA98549	428193-01	1	1	1	1	
7	Bracket - Condenser	G.S	429436-01	1	1	1	1	
8	Condenser - Water-cooled	(S-0397)	2H0700G01	1	1	1	1	
9	Strap - Condenser	G.S	4H0622-01	5	5	5	5	
10	Drier	KC-6749	427061-01	1	1	1	1	
11	Seal	EPDM	426867-01	1	1	1	1	
12	Insulation - Seal	PE	427437-01	1	1	1	1	
13	Expansion Valve	ABE-R10-HD-1	428434-01	1	1	1	1	
14	Evaporator	-	103449G01	1	1	1	1	
15	Hot Gas Valve	ABS-25-1-HD-2	3U0033-01	2	2	2	2	
16	Pressure Switch	PS-7	3U0069-01	1	1	1	1	
17	Pressure Switch	CUT OFF 25K PS-7	3U0069-02	1	1	1	1	
18	Access Valve	CUT OFF 7K TCJ-2F15-HD	417366-01	1	1	1	1	
19	Bracket - Water Regulator	G.S	427012-01	1	1	1	1	
20	Water Regulator	WV II -33RHD	415425-01	1	1	1	1	
21	Pipe - High Side	Copper	209904G01	1	1	1	1	
22	Pipe - Oil Cooler	Copper	429516G01	1	1	1	1	
23	Pipe - Oil Cooler	Copper	429517-01	1	1	1	1	
24	Pipe - High Side	Copper	429437-01	1	1	1	1	
25	Heat Exchanger	Copper	209903G01	1	1	1	1	
26	Cover - Frame (B)	G.S	428093-01	1	1	1	1	
25	Heat Exchanger	Copper	209522G01	1	1	1	1	
26	Cover - Frame (B)	G.S	428093-01	1	1	1	1	
27	Pipe - Low Side	Copper	318153G01	1	1	1	1	
28	Elbow	Copper	417395-03	1	1	1	1	
29	Tee	Copper	420041-03	1	1	1	1	

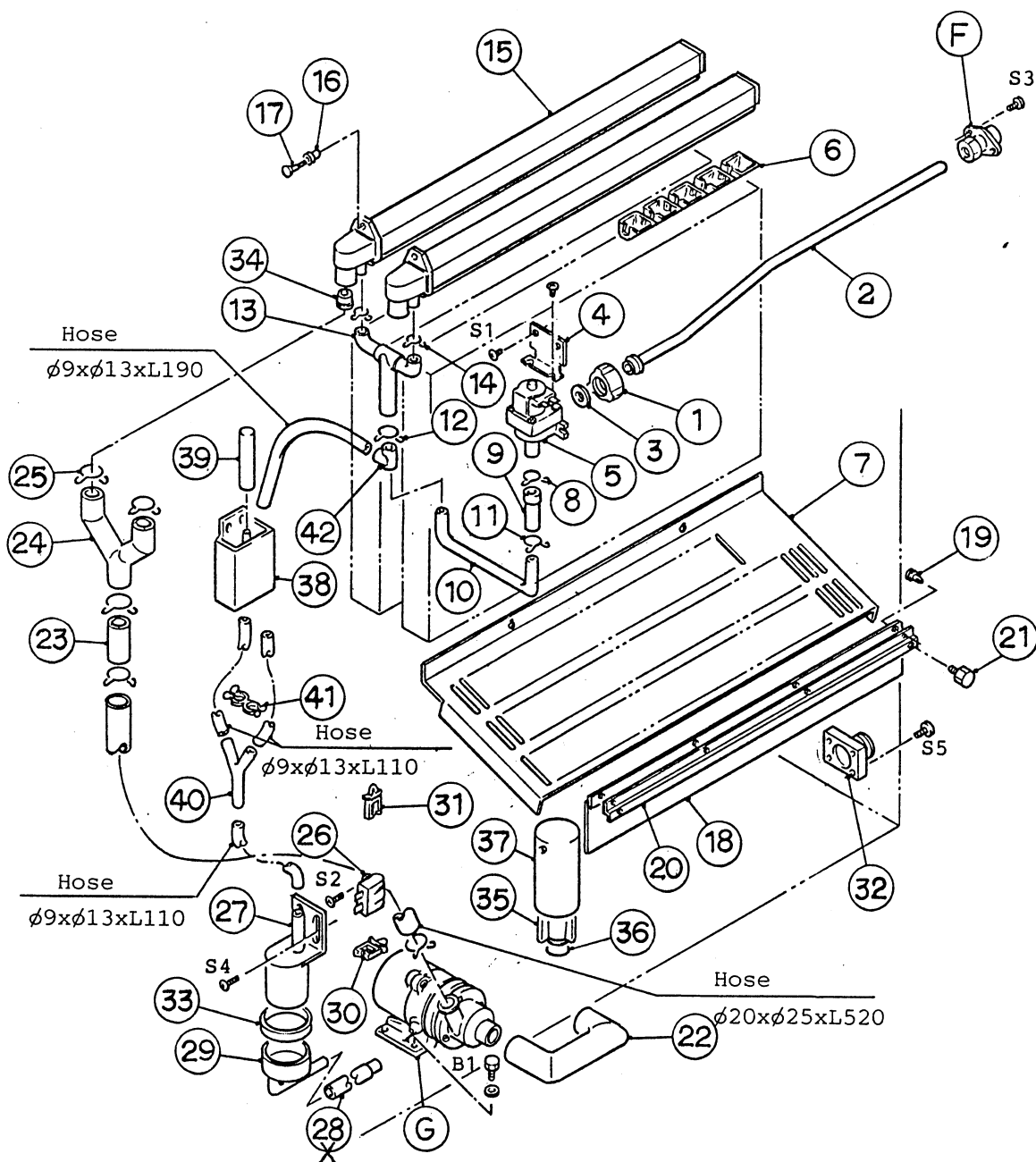
E

MODEL		TITLE						
KM-451DWU		B. REFRIGERANT UNIT						
INDEX NO.	DESCRIPTION	MATERIAL OR MODEL NUMBER	PART NUMBER	REQ'D NUMBER				
				F-1	F-2	G-0	H-1	
30	Pipe - Hot Gas	Copper	428676-01	1	1	1	1	
31	Pipe	Copper	428677-01	1	1	-		
32	Pipe	Copper	429442-01	1	1	1	1	
33	Pipe	Copper	427706-01	1	1	1	1	
34	Pipe	Copper	429438-01	1	1	1	1	
35	Cover (A) - Expansion Valve	PE	317257-01	1	1	1	1	
36	Cover (B) - Expansion Valve	PE	317257-02	1	1	1	1	
37	Thermistor	-	427062-01	1	1	1	1	
38	Holder - Thermistor	Copper	427430-01	1	1	1	1	
39	Insulation - Thermistor	PE	427441-01	1	1	1	1	
40	Bracket - Thermistor	S.S	427431-01	1	1	1	1	
41	Wire Saddle	LWS-2NS	428060-03	1	X			
42	Wire Saddle	LWS-3NS	428060-02	1	X			
		WS-2NS	427007-02		①	1	1	
43	Insulation (A)	PE	431147-01		1	1	1	
44	Tee	Copper	431620-01			1	1	



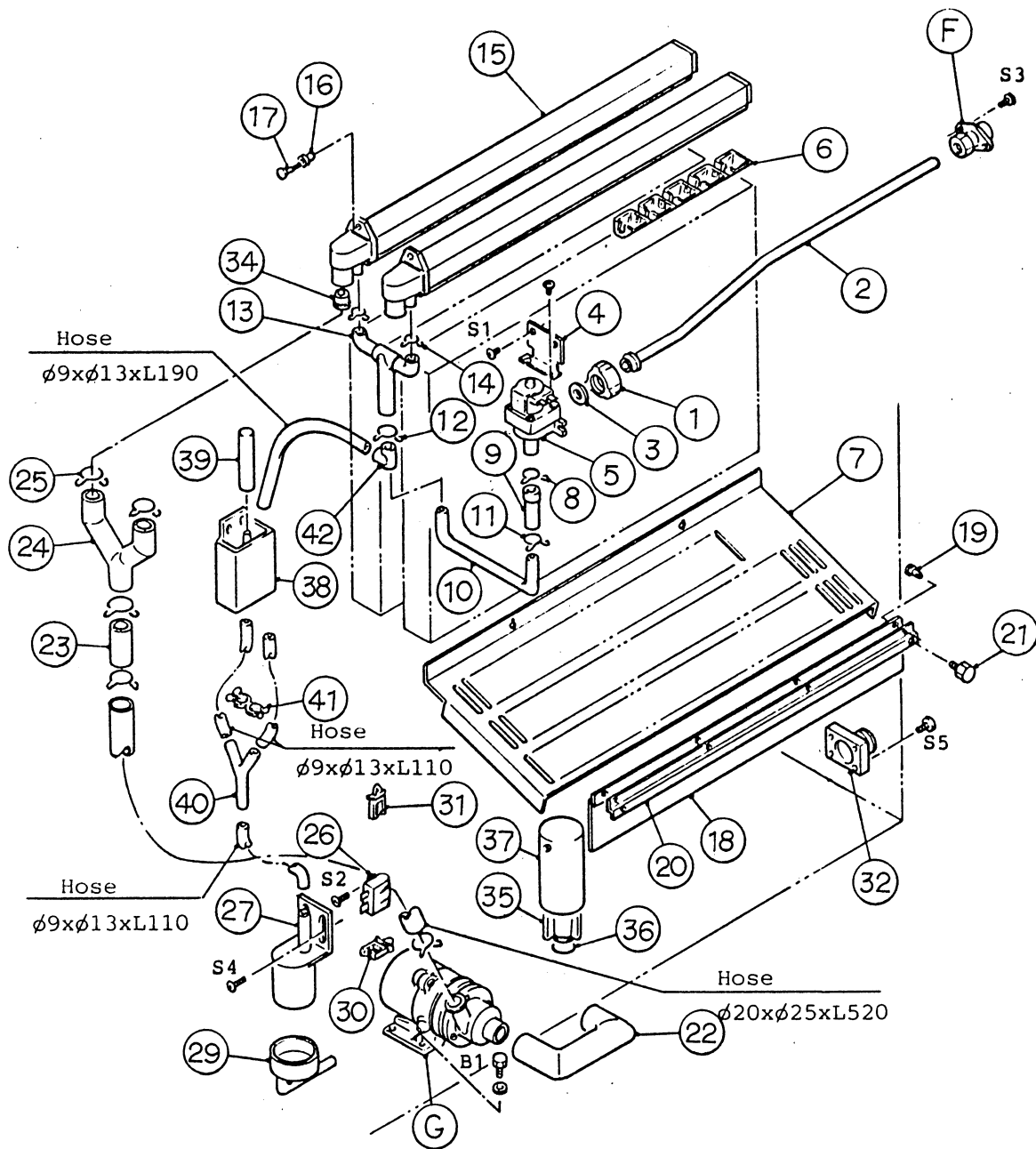
FASTENER

- S1 - TRUSS HEAD TAPPING SCREW, M4x8
- S2 - TRUSS HEAD TAPPING SCREW, STAINLESS, M4x12
- S3 - TRUSS HEAD MACHINE SCREW, M4x8
- S4 - TRUSS HEAD MACHINE SCREW, STAINLESS, M4x8
- S5 - TRUSS HEAD MACHINE SCREW, M4x12
- B1 - HEXAGON BOLT AND SPRING WASHER + PLAIN WASHER ASSY, STAINLESS, M4x12



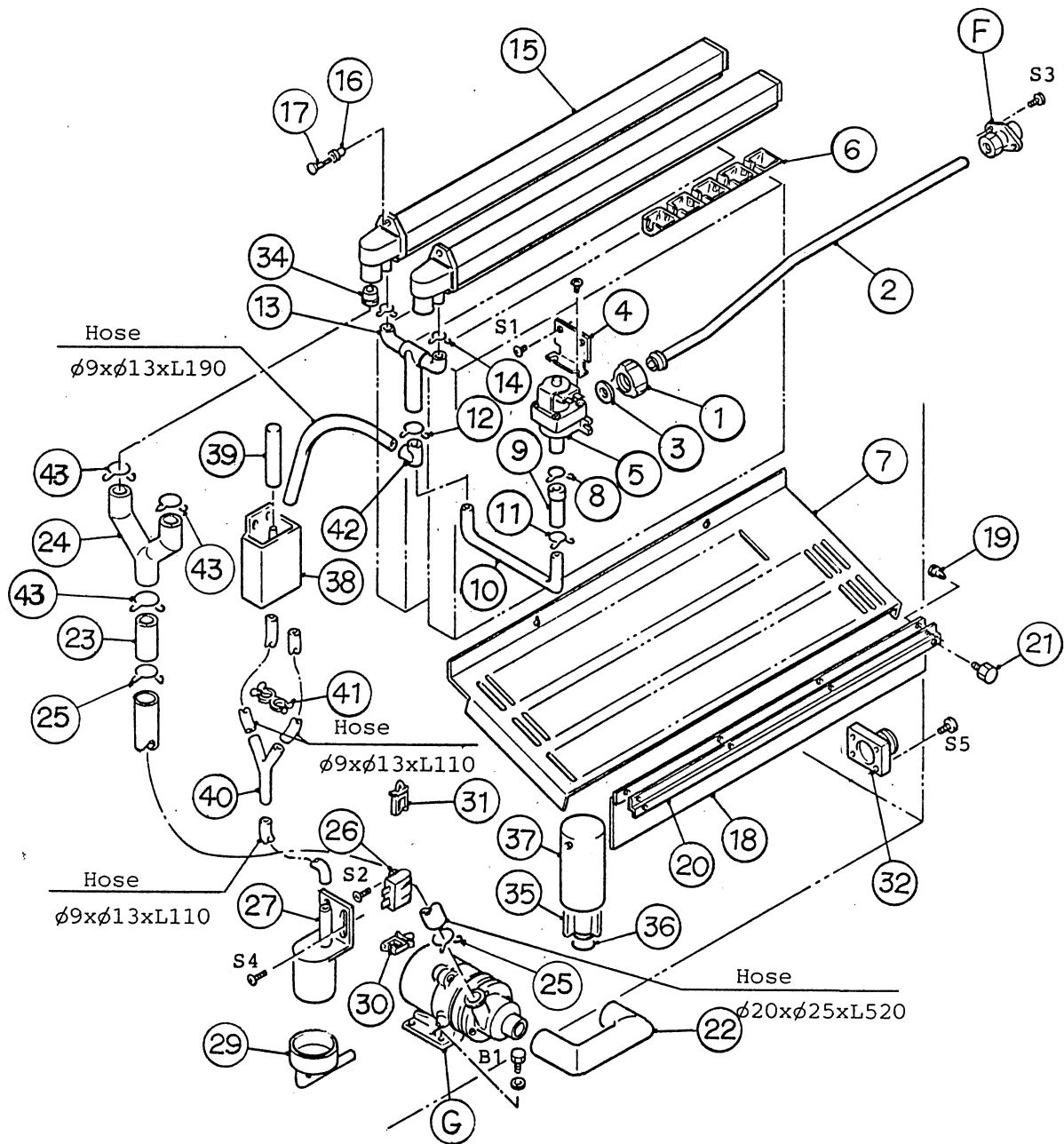
FASTENER

- S1 - TRUSS HEAD TAPPING SCREW, M4x8
- S2 - TRUSS HEAD TAPPING SCREW, STAINLESS, M4x12
- S3 - TRUSS HEAD MACHINE SCREW, M4x8
- S4 - TRUSS HEAD MACHINE SCREW, STAINLESS, M4x8
- S5 - TRUSS HEAD MACHINE SCREW, M4x12
- B1 - HEXAGON BOLT AND SPRING WASHER + PLAIN WASHER ASSY, STAINLESS, M4x12



FASTENER

- S1 - TRUSS HEAD TAPPING SCREW, M4x8
- S2 - TRUSS HEAD TAPPING SCREW, STAINLESS, M4x12
- S3 - TRUSS HEAD MACHINE SCREW, M4x8
- S4 - TRUSS HEAD MACHINE SCREW, STAINLESS, M4x8
- S5 - TRUSS HEAD MACHINE SCREW, M4x12
- B1 - HEXAGON BOLT AND SPRING WASHER + PLAIN WASHER ASSY, STAINLESS, M4x12



FASTENER

- S1 - TRUSS HEAD TAPPING SCREW, M4x8
- S2 - TRUSS HEAD TAPPING SCREW, STAINLESS, M4x12
- S3 - TRUSS HEAD MACHINE SCREW, M4x8
- S4 - TRUSS HEAD MACHINE SCREW, STAINLESS, M4x8
- S5 - TRUSS HEAD MACHINE SCREW, M4x12
- B1 - HEXAGIN BOLT AND SPRING WASHER + PLAIN WASHER ASSY, STAILLESS, M4x12

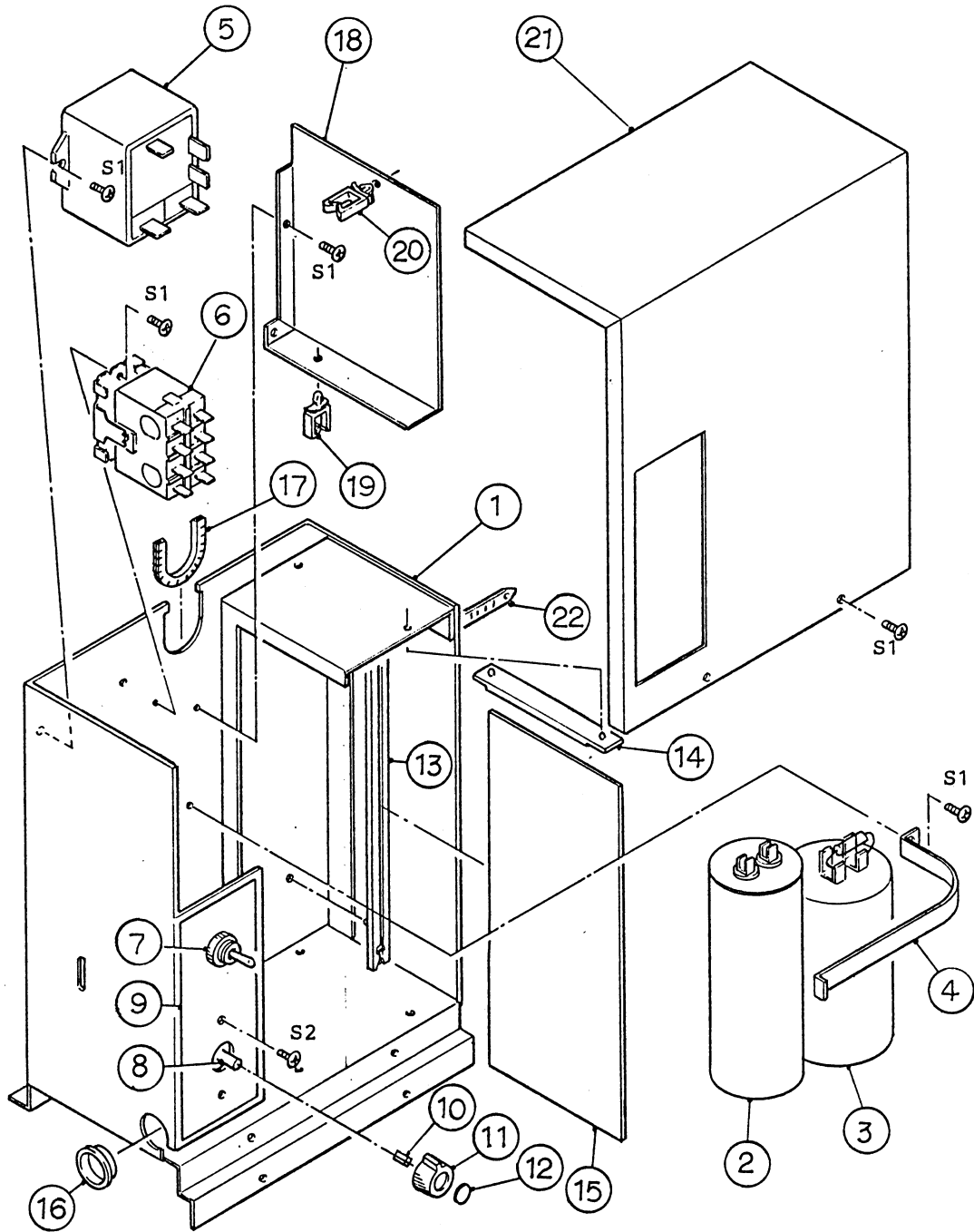
MODEL		TITLE						
KM-451DU		C. WATER CIRCUIT ASSEMBLY						
INDEX NO.	DESCRIPTION	MATERIAL OR MODEL NUMBER	PART NUMBER	REQ'D NUMBER				
				F-1	F-2	G-1	H-1	
F	FITTING (P) ASSEMBLY	(S-0351)	311425A01	1	1	1	1	
G	PUMP MOTOR ASSEMBLY	(S-0430)	316805A01	1	1	1	1	
1	Fitting Nut	AC	426910-02	1	1	1	1	
2	Pipe - Water Supply	S.S	428439G01	1	1	1	1	
3	Packing	NBR	413854-01	1	1	1	1	
4	Bracket - Water Valve	S.S	428094-01	1	1	1	1	
5	Water Valve	J246-379	3U0085-01	1	1	1	1	
6	Guide - Water Supply	PE	208586-01	6	6	6	6	
7	Guide - Cube	S.S	318183G01	1	1	1	1	
8	Clamp	SK-165	426148-06	1	1	1	1	
9	Hose - Water Supply	EVA	425289-03	1	✗			
			425289-04		①	1	1	
10	Pipe	ABS	430001-01	1	-			
			430001-02		1	1	1	
11	Clamp	SK-145	426148-03	1	1	1	1	
12	Clamp	S.S, 14.5mm	427443-02	1	1	1	-	
		S.S, 16.5mm	427443-04				1	
13	"Y" Branch (A)	EPDM	426795-01	1	1	1	1	
14	Clamp	S.S, 12mm	427443-01	2	2	2	-	
		S.S, 13.5mm	427443-07				2	
15	Pipe - Water Supply	ABS	426869G01	1	1	1	1	
16	Grommet	H322-4-2	422300-03	2	2	2	2	
17	Plunger	H323-4-5-2	422299-03	2	2	2	2	
18	Curtain	PE	427432G02	1	1	1	1	
19	Snap Button	KB-09	427030-01	4	4	4	4	
20	Brace - Curtain	S.S	317241-01	1	1	1	1	
21	Thumbscrew	S.S, ABS	415949G04	2	2	2	2	
22	Hose - Pump Suction	EPDM	426796-01	1	1	1	1	
23	Pipe	ABS	426797-01	1	1	1	1	
24	"Y" Branch (B)	EPDM	426798-01	1	1	1	1	
25	Clamp	S.S, 25mm	427443-03	5	5	5	2	
26	Capacitor - Pump Motor	3.5 μ F, 230V	3U0042-02	1	1	1	1	
27	Float Switch	FS-0893A-1	430417-01	1	1	1	1	
28	Hose	EPDM	430513-01	1	✗			

E

MODEL		TITLE						
KM-451DU		C. WATER CIRCUIT ASSEMBLY						
INDEX NO.	DESCRIPTION	MATERIAL OR MODEL NUMBER	PART NUMBER	REQ'D NUMBER				
				F-1	F-2	G-1	H-1	
29	Connector - Float Switch	EPDM	426799-02	1	X			
			426799-01		①	1	1	
30	Wire Saddle	LWS-4NS	428060-01	1	1	1	1	
31	Wire Saddle	LWS-2NS	428060-03	2	2	-		
			427007-02			2	2	
32	Pipe - Drain	PVC	316845-01	1	-			
			317938-01		1	1	1	
33	Clamp	No.5085	429297-01	1	1	-		
34	Nozzle	ABS	428418-02	2	2	2	2	
35	Pipe - Overflow	ABS	430722-02		1	1	1	
36	"O" Ring	1AP32	7611-P032		1	1	1	
37	Cap - Overflow	EPDM	430723-01		1	1	1	
38	Flush Tank	ABS	319639-01		1	1	1	
39	Cap	ABS	430725-01		1	1	1	
40	Connector	PE	430737-01		1	X		
			432763-01			①	1	
41	Clamp	No.872	430743-01		1	1	1	
42	Tee	EPDM	430724-01		1	1	1	
43	Clamp	S.S, 27mm	427443-08				3	

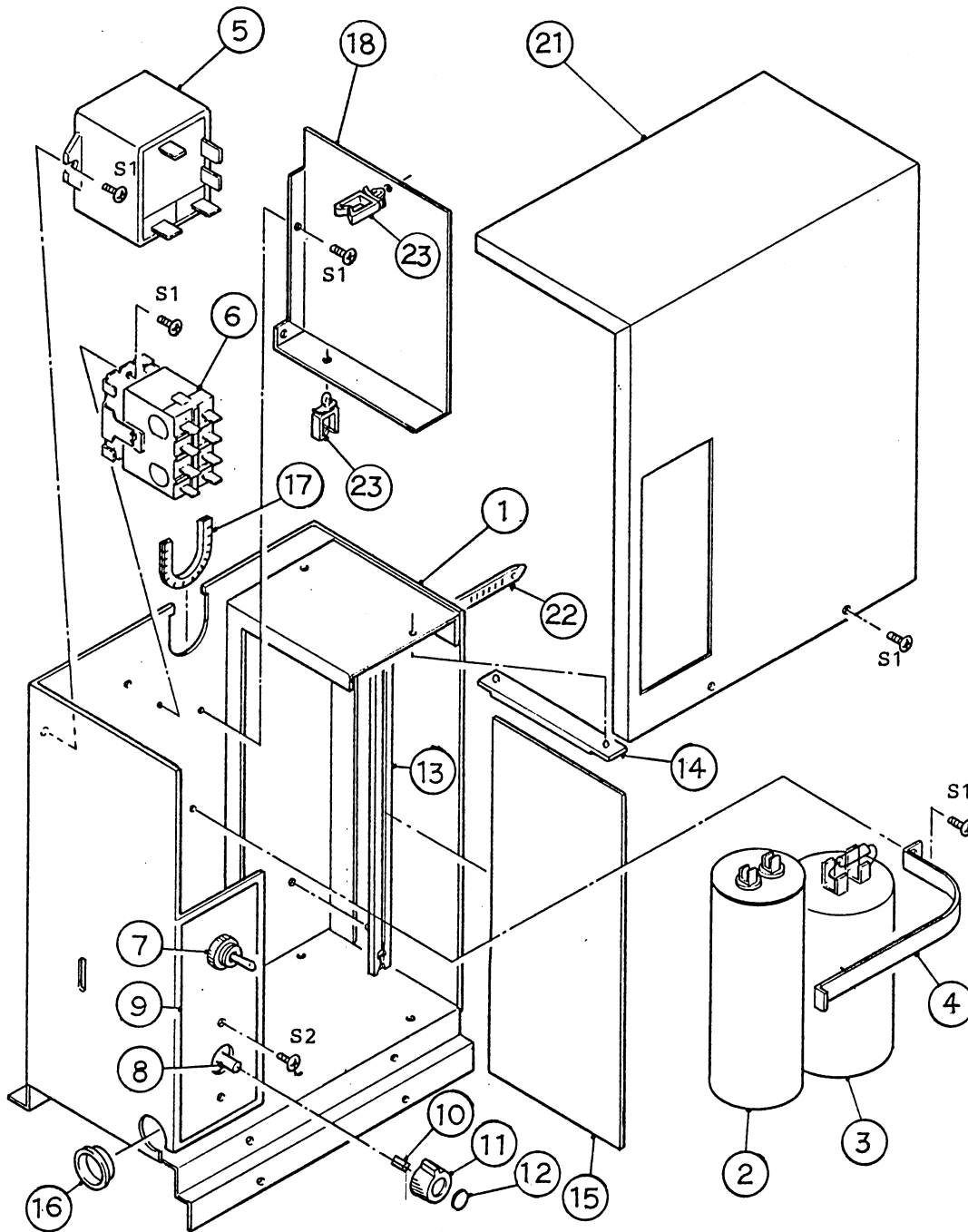
MODEL		TITLE						
KM-451DWU		C. WATER CIRCUIT ASSEMBLY						
INDEX NO.	DESCRIPTION	MATERIAL OR MODEL NUMBER	PART NUMBER	REQ'D NUMBER				
				F-1	F-2	G-0	H-1	
F	FITTING (P) ASSEMBLY	(S-0351)	311425A01	1	1	1	1	
G	PUMP MOTOR ASSEMBLY	(S-0430)	316805A01	1	1	1	1	
1	Fitting Nut	AC	426910-02	1	1	1	1	
2	Pipe - Water Supply	S.S	428439G01	1	1	1	1	
3	Packing	NBR	413854-01	1	1	1	1	
4	Bracket - Water Valve	S.S	428094-01	1	1	1	1	
5	Water Valve	J246-379	3U0085-01	1	1	1	1	
6	Guide - Water Supply	PE	208586-01	6	6	6	6	
7	Guide - Cube	S.S	318183G01	1	1	1	1	
8	Clamp	SK-165	426148-06	1	1	1	1	
9	Hose - Water Supply	EVA	425289-03	1	⊗			
			425289-04		⊙	1	1	
10	Pipe	ABS	430001-01	1	-			
			430001-02		1	1	1	
11	Clamp	SK-145	426148-03	1	1	1	1	
12	Clamp	S.S, 14.5mm	427443-02	1	1	1	-	
		S.S, 16.5mm	427443-04				1	
13	"Y" Branch (A)	EPDM	426795-01	1	1	1	1	
14	Clamp	S.S, 12mm	427443-01	2	2	2	-	
		S.S, 13.5mm	427443-07				2	
15	Pipe - Water Supply	ABS	426869G01	1	1	1	1	
16	Grommet	H322-4-2	422300-03	2	2	2	2	
17	Plunger	H323-4-5-2	422299-03	2	2	2	2	
18	Curtain	PE	427432G02	1	1	1	1	
19	Snap Button	KB-09	427030-01	4	4	4	4	
20	Brace - Curtain	S.S	317241-01	1	1	1	1	
21	Thumbscrew	S.S, ABS	415949G04	2	2	2	2	
22	Hose - Pump Suction	EPDM	426796-01	1	1	1	1	
23	Pipe	ABS	426797-01	1	1	1	1	
24	"Y" Branch (B)	EPDM	426798-01	1	1	1	1	
25	Clamp	S.S, 25mm	427443-03	5	5	5	2	
26	Capacitor - Pump Motor	3.5 μ F, 230V	3U0042-02	1	1	1	1	
27	Float Switch	FS-0893A-1	430417-01	1	1	1	1	
28	Hose	EPDM	430513-01	1	⊗			

MODEL		TITLE						
KM-451DWU		C. WATER CIRCUIT ASSEMBLY						
INDEX NO.	DESCRIPTION	MATERIAL OR MODEL NUMBER	PART NUMBER	REQ'D NUMBER				
				F-1	F-2	G-0	H-1	
29	Connector - Float Switch	EPDM	426799-02	1	X			
			426799-01		①	1	1	
30	Wire Saddle	LWS-4NS	428060-01	1	1	1	1	
31	Wire Saddle	LWS-2NS	428060-03	2	2	-		
			427007-02			2	2	
32	Pipe - Drain	PVC	316845-01	1	-			
			317938-01			1	1	1
33	Clamp	No.5085	429297-01	1	1	-		
34	Nozzle	ABS	428418-02	2	2	2	2	
35	Pipe - Overflow	ABS	430722-02		1	1	1	
36	"O" Ring	1AP32	7611-P032		1	1	1	
37	Cap - Overflow	EPDM	430723-01		1	1	1	
38	Flush Tank	ABS	319639-01		1	1	1	
39	Cap	ABS	430725-01		1	1	1	
40	Connector	PE	430737-01		1	X		
			432763-01			①	1	
41	Clamp	No.872	430743-01		1	1	1	
42	Tee	EPDM	430724-01		1	1	1	
43	Clamp	S.S, 27mm	427443-08				3	



FASTENER

- S1 - TRUSS HEAD TAPPING SCREW, M4x8
- S2 - TRUSS HEAD MACHINE SCREW, M4x6

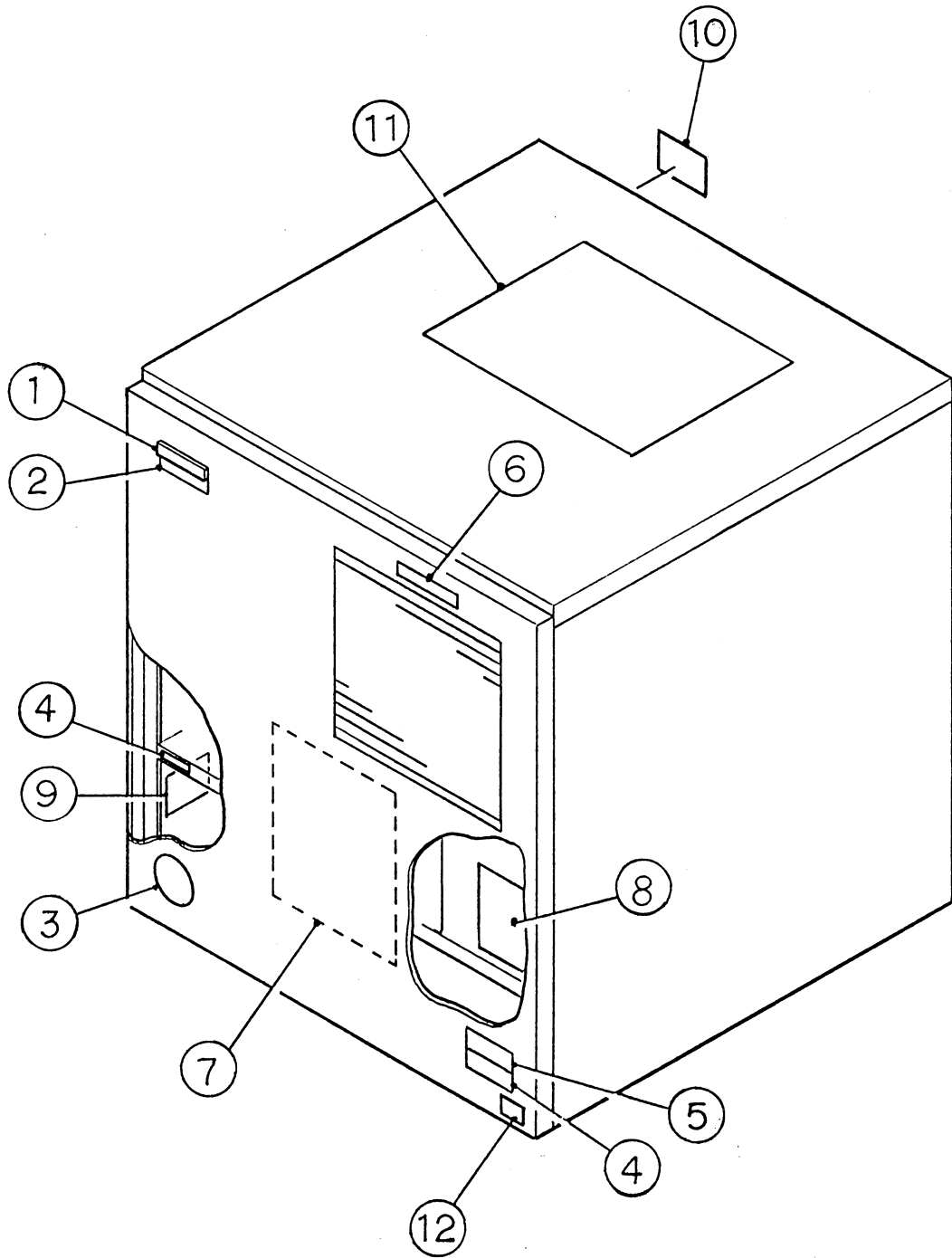


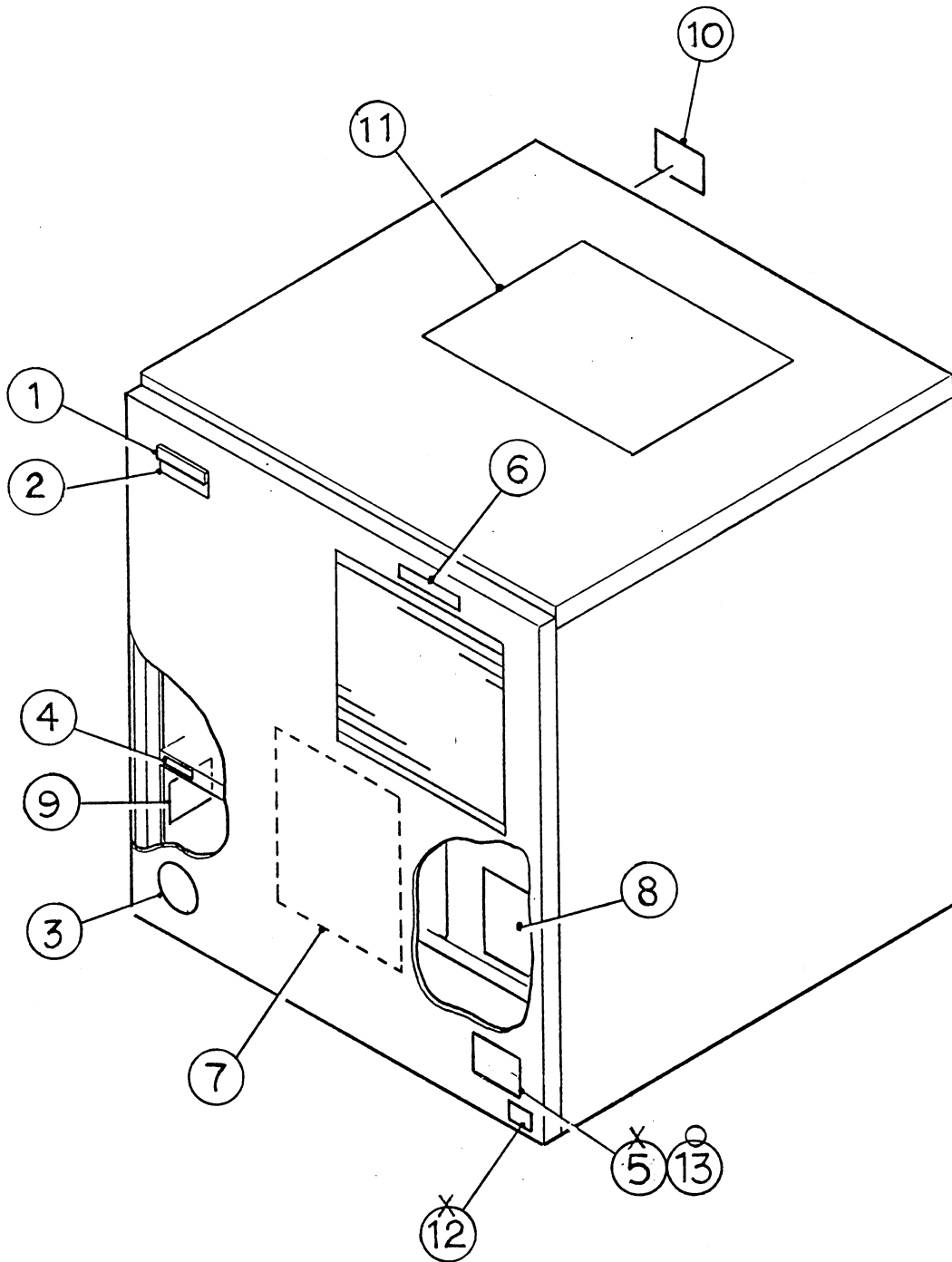
FASTENER

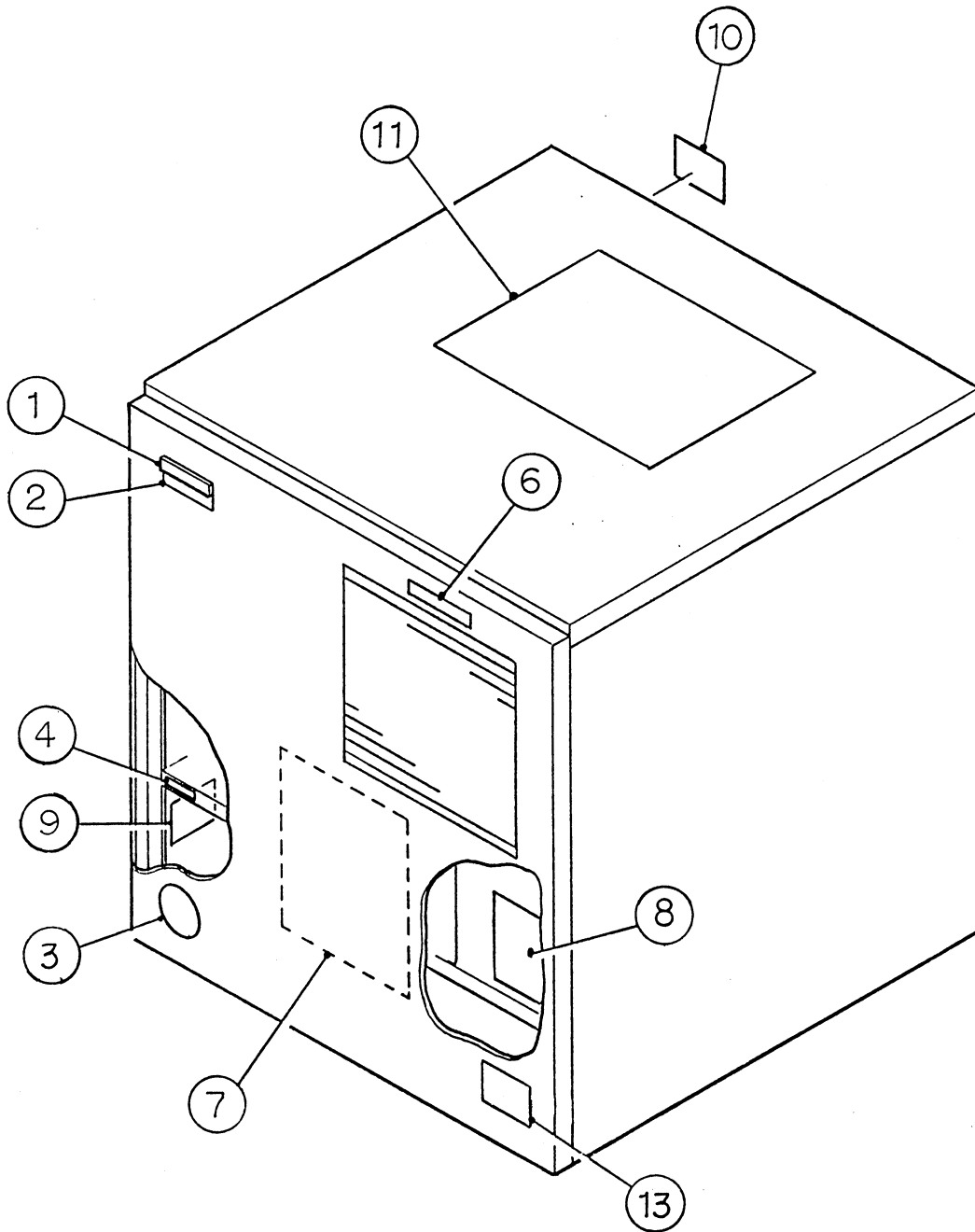
- S1 - TRUSS HEAD TAPPING SCREW, M4x8
- S2 - TRUSS HEAD MACHINE SCREW, M4x6

MODEL		TITLE						
KM-451DU		D. CONTROL BOX ASSEMBLY						
INDEX NO.	DESCRIPTION	MATERIAL OR MODEL NUMBER	PART NUMBER	REQ'D NUMBER				
				F-1	F-2	G-1	H-1	
1	Control Box	G.S	317710G01	1	1	1	1	
2	Run Capacitor	PMT-33550P	428391-01	1	1	1	1	
3	Start Capacitor	MS220F 160J-R	428392-01	1	1	1	1	
4	Strap - Capacitor	G.S	428097-01	1	1	1	1	
5	Starter	FST-155B	3U0086-01	1	1	1	1	
6	Magnetic Contactor	VC20	428393-01	1	1	1	1	
7	Toggle Switch	ST-103A	405135-02	1	1	1	1	
8	Thermostat - Bin Control	A10-9756	420465-01	1	1	1	1	
9	Label - Control	Aluminum	428628-01	1	1	1	1	
10	Insert	PE	407927-01	1	1	1	1	
11	Knob	ABS	309332-01	1	1	1	1	
12	Label - Knob	PETP Film	415993-01	1	1	1	1	
13	Guide	GR-180S	427005-01	1	1	1	1	
14	Guide	SPC-3000	427006-01	2	2	2	2	
15	Controller Board	HSU83137-02	427004-02	1	1	-		
		431225-01	431225-01			1	1	
16	Bushing	OCB-750	428394-01	1	1	1	1	
17	Bushing	KG-012 L=67	414116-29	1	X			
		KG-012 L=87	7991KA087		⓪	1	1	
18	Plate - Shield	G.S	428395-01	1	1	1	1	
19	Wire Saddle	LWS-3NS	428060-02	2	2	-		
20	Wire Saddle	LWS-2NS	428060-03	1	1	-		
21	Cover - Control Box	G.S	428098G01	1	1	1	1	
22	Strap	No.1764	430361-02	1	1	1	1	
23	Wire Saddle	WS-2NS	427007-02			3	3	

MODEL		TITLE						
KM-451DWU		D. CONTROL BOX ASSEMBLY						
INDEX NO.	DESCRIPTION	MATERIAL OR MODEL NUMBER	PART NUMBER	REQ'D NUMBER				
				F-1	F-2	G-0	H-1	
1	Control Box	G.S	317710G01	1	1	1	1	
2	Run Capacitor	PMT-33550P	428391-01	1	1	1	1	
3	Start Capacitor	MS220F 160J-R	428392-01	1	1	1	1	
4	Strap - Capacitor	G.S	428097-01	1	1	1	1	
5	Starter	FST-155B	3U0086-01	1	1	1	1	
6	Magnetic Contactor	VC20	428393-01	1	1	1	1	
7	Toggle Switch	ST-103A	405135-02	1	1	1	1	
8	Thermostat - Bin Control	A10-9756	420465-01	1	1	1	1	
9	Label - Control	Aluminum	428628-01	1	1	1	1	
10	Insert	PE	407927-01	1	1	1	1	
11	Knob	ABS	309332-01	1	1	1	1	
12	Label - Knob	PETP Film	415993-01	1	1	1	1	
13	Guide	GR-180S	427005-01	1	1	1	1	
14	Guide	SPC-3000	427006-01	2	2	2	2	
15	Controller Board	HSU83137-02	427004-02	1	1	-		
		431225-01	431225-01			1	1	
16	Bushing	OCB-750	428394-01	1	1	1	1	
17	Bushing	KG-012 L=67	414116-29	1	X			
		KG-012 L=87	7991KA087		⓪	1	1	
18	Plate - Shield	G.S	428395-01	1	1	1	1	
19	Wire Saddle	LWS-3NS	428060-02	2	2	-		
20	Wire Saddle	LWS-2NS	428060-03	1	1	-		
21	Cover - Control Box	G.S	428098G01	1	1	1	1	
22	Strap	No.1764	430361-02	1	1	1	1	
23	Wire Saddle	WS-2NS	427007-02		3	3	3	

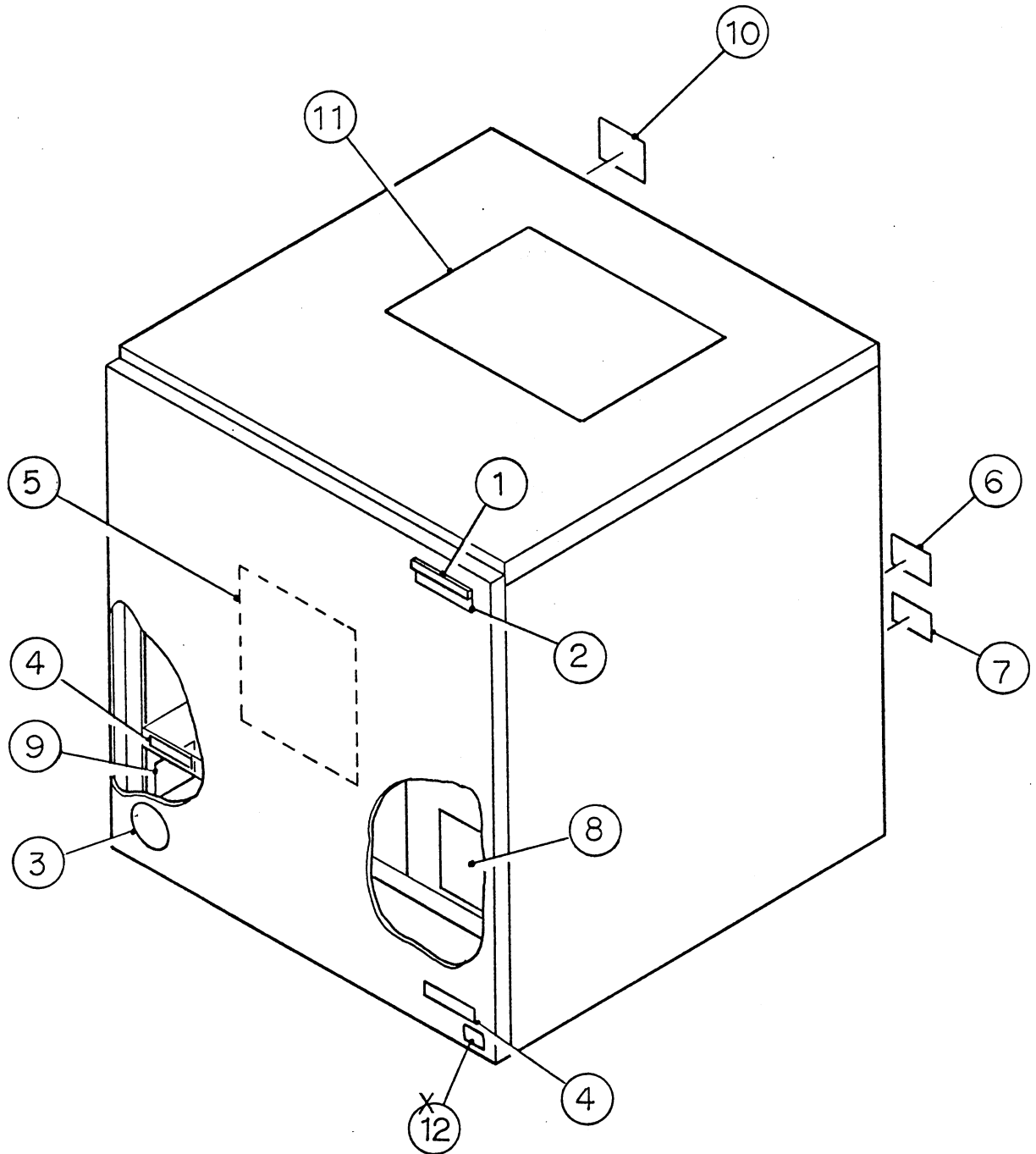


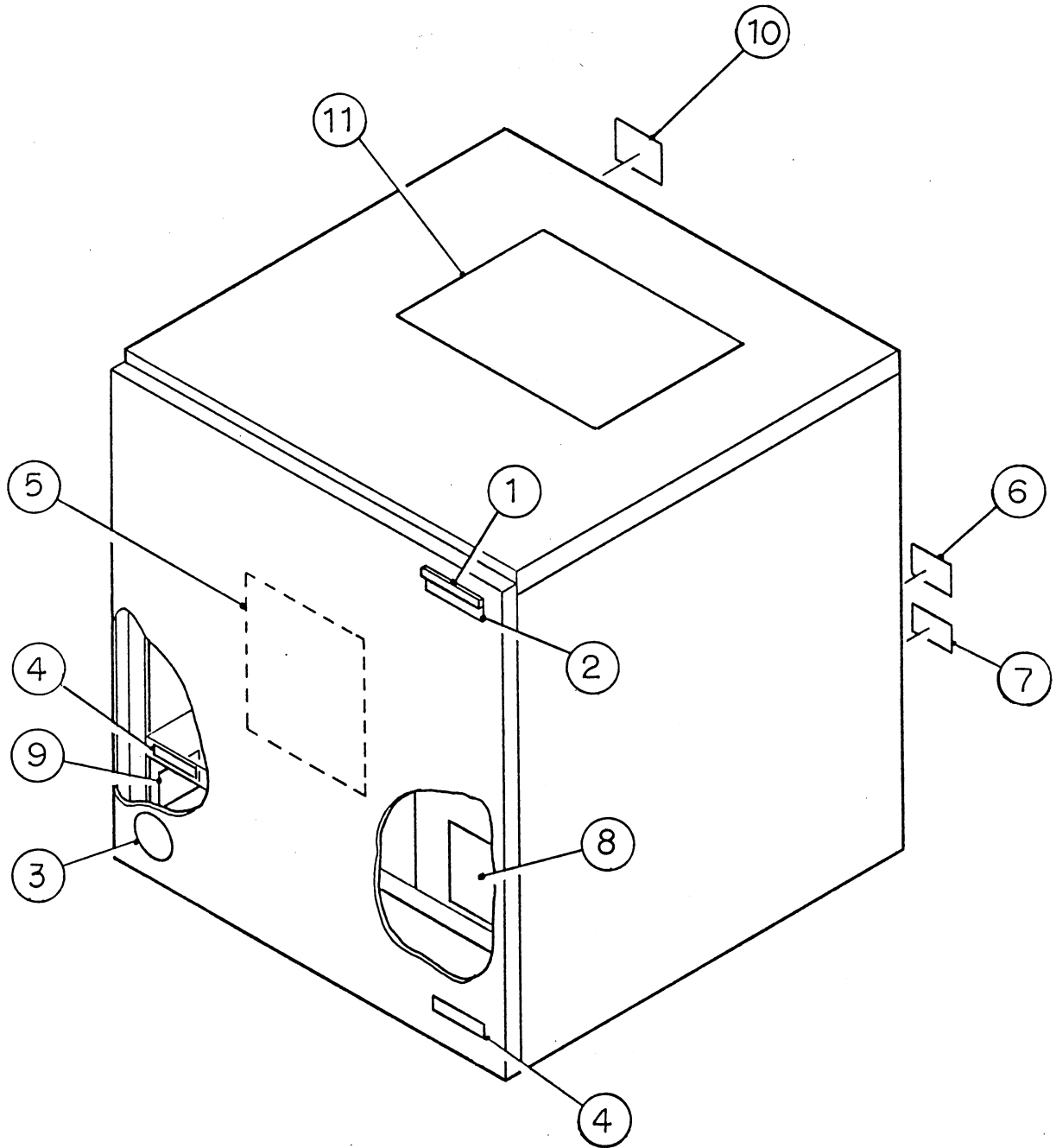




MODEL		TITLE						
KM-451DU		E. LABEL LOCATION						
INDEX NO.	DESCRIPTION	MATERIAL OR MODEL NUMBER	PART NUMBER	REQ'D NUMBER				
				F-1	F-2	G-1	H-1	
1	Emblem (L) - HOSHIZAKI	ABS	418634G01	1	1	1	1	
2	Label - Model Number	PETP Film	428505-**	1	1	1	1	
3	Label - Penguin	PVC Film	410994-01	1	1	1	1	
4	Label - Danger	PVC Film	425322-01	2	1	1	1	
5	Label - Warning	PVC Film	425323-01	1	✕			
6	Label - Air Filter	PETP Film	426177-01	1	1	1	1	
7	Label - Maintenance	PVC Film	316975-01	1	1	1	1	
8	Label - Wiring Diagram	PVC Film	318115-01	1	1	-		
			320591-01			1	1	
9	Label - Float Switch Adjustment	PVC Film	428627-01	1	1	1	1	
10	Nameplate	PES Film	430494-01	1	1	✕		
			432913-01			①	1	
11	Instruction Sheet - Inst. Ope.	Paper	209508-01	1	1	1	1	
12	Label - NSF	-	423170-01	1	✕			
13	Label - Danger And Warning	PVC Film	431092-01		①	1	1	

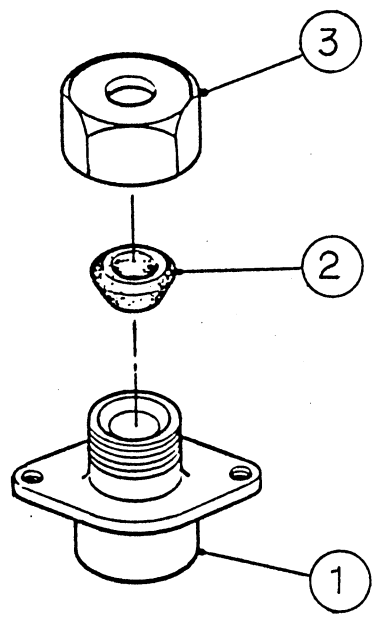
E





MODEL		TITLE						
KM-451DWU		E. LABEL LOCATION						
INDEX NO.	DESCRIPTION	MATERIAL OR MODEL NUMBER	PART NUMBER	REQ'D NUMBER				
				F-1	F-2	G-0	H-1	
1	Emblem (L) - HOSHIZAKI	ABS	418634G01	1	1	1	1	
2	Label - Model Number	PETP Film	428507-**	1	1	1	1	
3	Label - Penguin	PVC Film	410994-01	1	1	1	1	
4	Label - Danger	PVC Film	425322-01	2	2	2	2	
5	Label - Maintenance	PVC Film	316975-01	1	1	1	1	
6	Label - Cooling Water Inlet	PETP Film	418029-04	1	1	1	1	
7	Label - Cooling Water Outlet	PETP Film	418029-05	1	1	1	1	
8	Label - Wiring Diagram	PVC Film	318115-01	1	⊗			
			320591-01		①	1	1	
9	Label - Float Switch Abjustment	PVC Film	428627-01	1	1	1	1	
10	Nameplate	PES Film	430495-01	1	⊗			
			432914-01		①	1	1	
11	Instruction Sheet - Inst. Ope.	Paper	209508-01	1	1	1	1	
12	Label - NSF	-	423170-01	1	⊗			

E



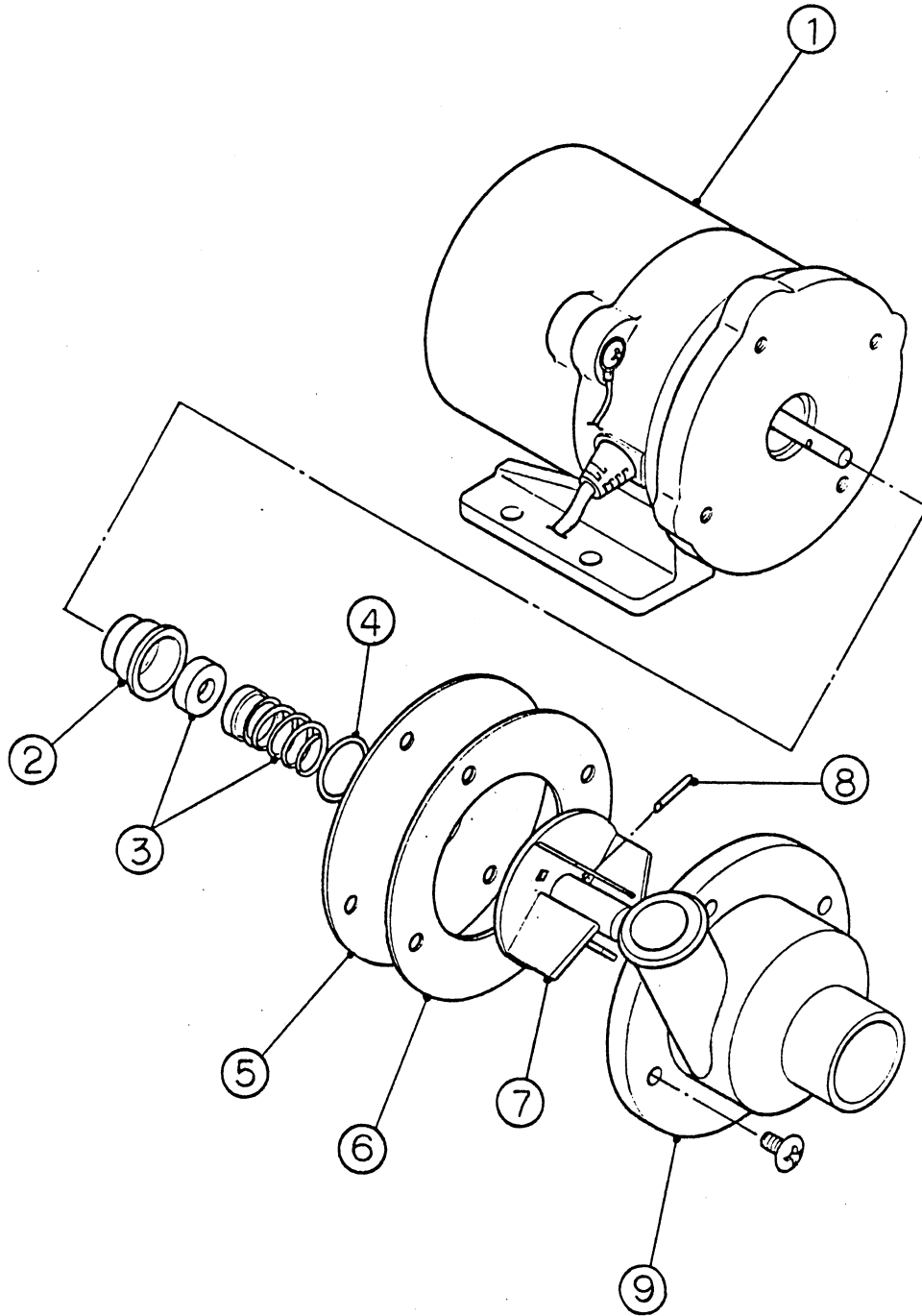
HA

MODEL		TITLE						
KM-451DU		F. FITTING (P) ASSEMBLY						
INDEX NO.	DESCRIPTION	MATERIAL OR MODEL NUMBER	PART NUMBER	REQ'D NUMBER				
				F-1	F-2	G-1	H-1	
1	Fitting (K)	Brass	310978-01	1	1	1	1	
2	Packing (A)	Neoprene	415715-01	1	1	1	1	
3	Nut (A)	Brass	415713-01	1	1	1	1	

E

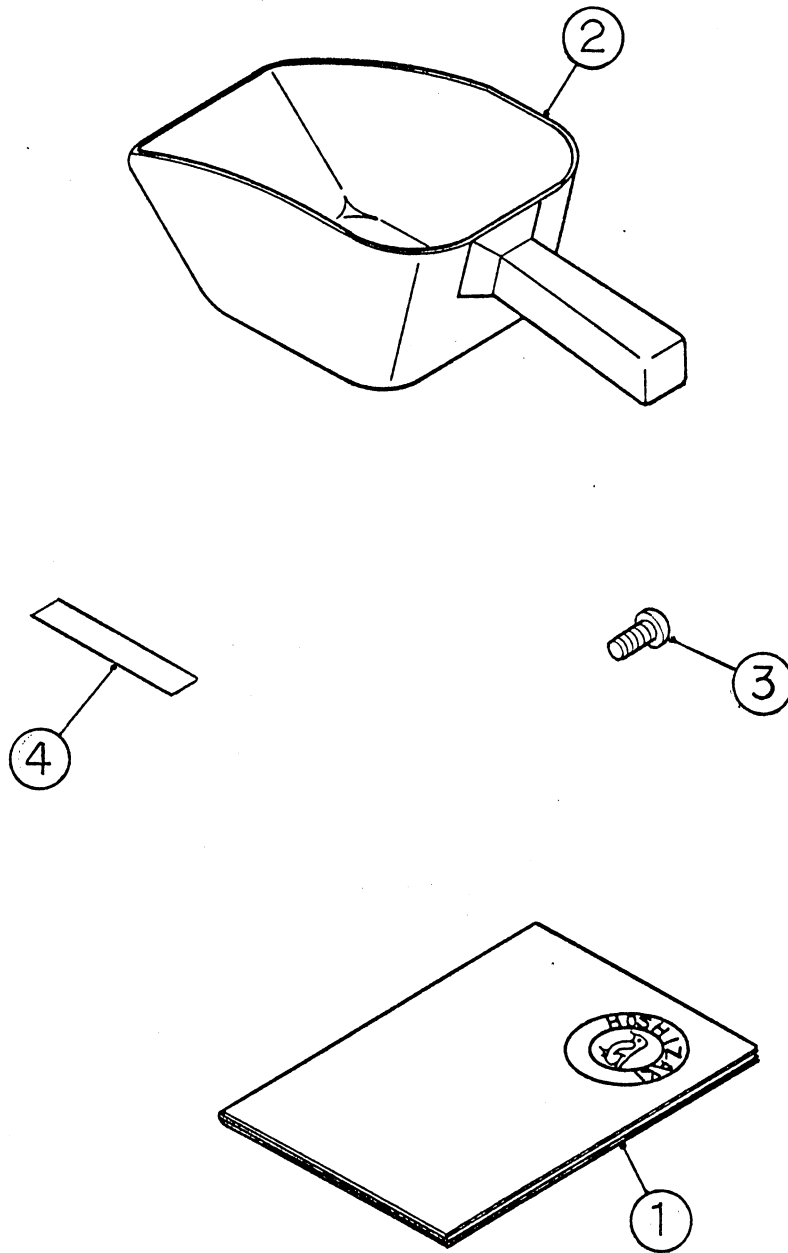
MODEL		TITLE						
KM-451DWU		F. FITTING (P) ASSEMBLY						
INDEX NO.	DESCRIPTION	MATERIAL OR MODEL NUMBER	PART NUMBER	REQ'D NUMBER				
				F-1	F-2	G-0	H-1	
1	Fitting (K)	Brass	310978-01	1	1	1	1	
2	Packing (A)	Neoprene	415715-01	1	1	1	1	
3	Nut (A)	Brass	415713-01	1	1	1	1	

E



MODEL		TITLE		REQ'D NUMBER				
KM-451DU		G. PUMP MOTOR ASSEMBLY		F-1	F-2	G-1	H-1	
INDEX NO.	DESCRIPTION	MATERIAL OR MODEL NUMBER	PART NUMBER	F-1	F-2	G-1	H-1	
1	Pump Motor	AP-TA4	2U0029-01	1	1	1	1	
2	Retainer	S.S	418584-01	1	1	1	1	
3	Mechanical Seal	H5, PS9	404653-01	1	1	1	1	
4	"O" Ring	1API8	7611-P018	1	1	1	1	
5	Flange - "O" Ring	S.S	403013-01	1	1	1	1	
6	Packing	NR	403014-01	1	1	1	1	
7	Impeller	ABS	417082-01	1	1	1	1	
8	Pin	S.S	414102-01	1	1	1	1	
9	Pump Housing	ABS	204451-02	1	1	1	1	

MODEL		TITLE		REQ'D NUMBER				
KM-451DWU		G. PUMP MOTOR ASSEMBLY		F-1	F-2	G-0	H-1	
INDEX NO.	DESCRIPTION	MATERIAL OR MODEL NUMBER	PART NUMBER	F-1	F-2	G-0	H-1	
1	Pump Motor	AP-TA4	2U0029-01	1	1	1	1	
2	Retainer	S.S	418584-01	1	1	1	1	
3	Mechanical Seal	H5, PS9	404653-01	1	1	1	1	
4	"O" Ring	1AP18	7611-P018	1	1	1	1	
5	Flange - "O" Ring	S.S	403013-01	1	1	1	1	
6	Packing	NR	403014-01	1	1	1	1	
7	Impeller	ABS	417082-01	1	1	1	1	
8	Pin	S.S	414102-01	1	1	1	1	
9	Pump Housing	ABS	204451-02	1	1	1	1	



HA

MODEL		TITLE		REQ'D NUMBER				
KM-451DU		H. ACCESSORIES		F-1	F-2	G-1	H-1	
INDEX NO.	DESCRIPTION	MATERIAL OR MODEL NUMBER	PART NUMBER	F-1	F-2	G-1	H-1	
1	Instruction Manual	Paper	91U1HA10A	1	-			
			91U1HA10B		1	1	1	
2	Scoop	PE	208185-01	1	1	1	1	
3	Truss Head Machine Screw	S.S, M4x30	-	1	1	1	1	
4	Instruction Sheet - Fastener	Paper	427122-01	1	1	1	1	

E

MODEL		TITLE						
KM-451DWU		H. ACCESSORIES						
INDEX NO.	DESCRIPTION	MATERIAL OR MODEL NUMBER	PART NUMBER	REQ'D NUMBER				
				F-1	F-2	G-0	H-1	
1	Instruction Manual	Paper	91U1HA10A	1	-			
			91U1HA10B		1	1	1	
2	Scoop	PE	208185-01	1	1	1	1	
3	Truss Head Machine Screw	S.S, M4x30	-	1	1	1	1	
4	Instruction Sheet - Fastener	Paper	427122-01	1	1	1	1	

MODULAR CRESCENT CUBER

**MODEL
KM-451**

**FINAL
PARTS LIST**

ISSUED: SEP. 25.1986

REVISED: FEB. 21, 1989

PRINTED: DEC. 10, 1994

ITEM NO: 71052