

NO. U1HJ-848

ISSUED: SEP.19, 1989

REVISED: NOV.08, 1991



**HOSHIZAKI
MODULAR CRESCENT CUBER**

**MODEL KM-450MAB
KM-450MWB
KM-450MRB**

PARTS LIST

(MAB,MRB)	K-1	DEC. 1989	(MWB)	K-1	DEC. 1989
	K-2	NOV. 1990		K-2	JUL. 1990
	A-0	DEC. 1990		K-3	NOV. 1990
	A-1	JAN. 1991		A-0	DEC. 1990
	A-2	NOV. 1991		A-1	JAN. 1991
	B-1	DEC. 1991		A-2	NOV. 1991
				B-1	DEC. 1991

MATERIAL ABBREVIATIONS

PLASTIC

ABS	=	Acrylonitrile-butadien-styrene
AC	=	Polyacetal
EVA	=	Ethylene vinyl acetate
PA	=	Polyamide =Nylon
PC	=	Polycarbonate
PE	=	Polyethylene
PES	=	Polyester
PETP	=	Polyethylene terephthalate =Tetlon
PP	=	Polypropyleneoride
PS	=	Polystyrene
PTFE	=	Polytetrafluoroethylene =Teflon
PUR	=	Polyurethane
PVC	=	Polyvinyl chloride

RUBBER

EPDM	=	EP rubber
NBR	=	Nitrile butadiene rubber
NR	=	Natural rubber
SI.R	=	Silicone rubber
SY.R	=	Synthetic rubber

STEEL

G.S	=	Galvanized steel
S.S	=	Stainless steel

AUXILIARY CODE

Ex.1 K-0 Parts are the same as in the preceding year.
"K" is the tenth in alphabetical order with "I" skipped. So, "K" indicates "1990".

Ex.2 A-1 "A" is the first in alphabetical order. So, "A" indicates "1991".

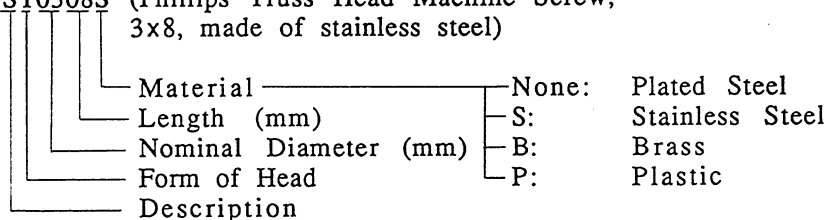
Ex.3 A-2 Each time a part is changed in a year, this number advances.

(Note) - =Part deleted.
X=Part deleted and replaced by "O" part.
O=New part for "X" in the same auxiliary code.

FASTENER ABBREVIATION LIST

ST	Phillips Truss Head Machine Screw
SP	Phillips Pan Head Machine Screw
SF	Phillips Flat Head Machine Screw
SS	Phillips Pan Head Machine Screw with Split Lock Washer
SW	Phillips Pan Head Machine Screw with Split Lock Washer and Flat Washer
T1	Phillips Truss Head Tapping Screw (Correspond to Type A)
T2	Phillips Truss Head Tapping Screw (Correspond to Type B)
T3	Phillips Truss Head Tapping Screw (Correspond to Type C)
FT	Phillips Truss Head Tapping Screw (Special)
BH	Hexagon Head Bolt
BC	Socket Head Cap Screw
BS	Hexagon Bolt with Split Washer
BW	Hexagon Bolt with Split Washer and Flat Washer
BF	Hexagon Flange Bolt
WL	Split Lock Washer
WT	External Tooth Washer
WF	Flat Washer
WS	Spring Washer
NH	Hexagon Nut
NF	Hexagon Flange Nut
NC	Hexagon Cap Nut
NS	Square Nut
NW	Wing Nut

Ex. ST0308S (Phillips Truss Head Machine Screw, 3x8, made of stainless steel)



(Note) Second character is numerical except the list.

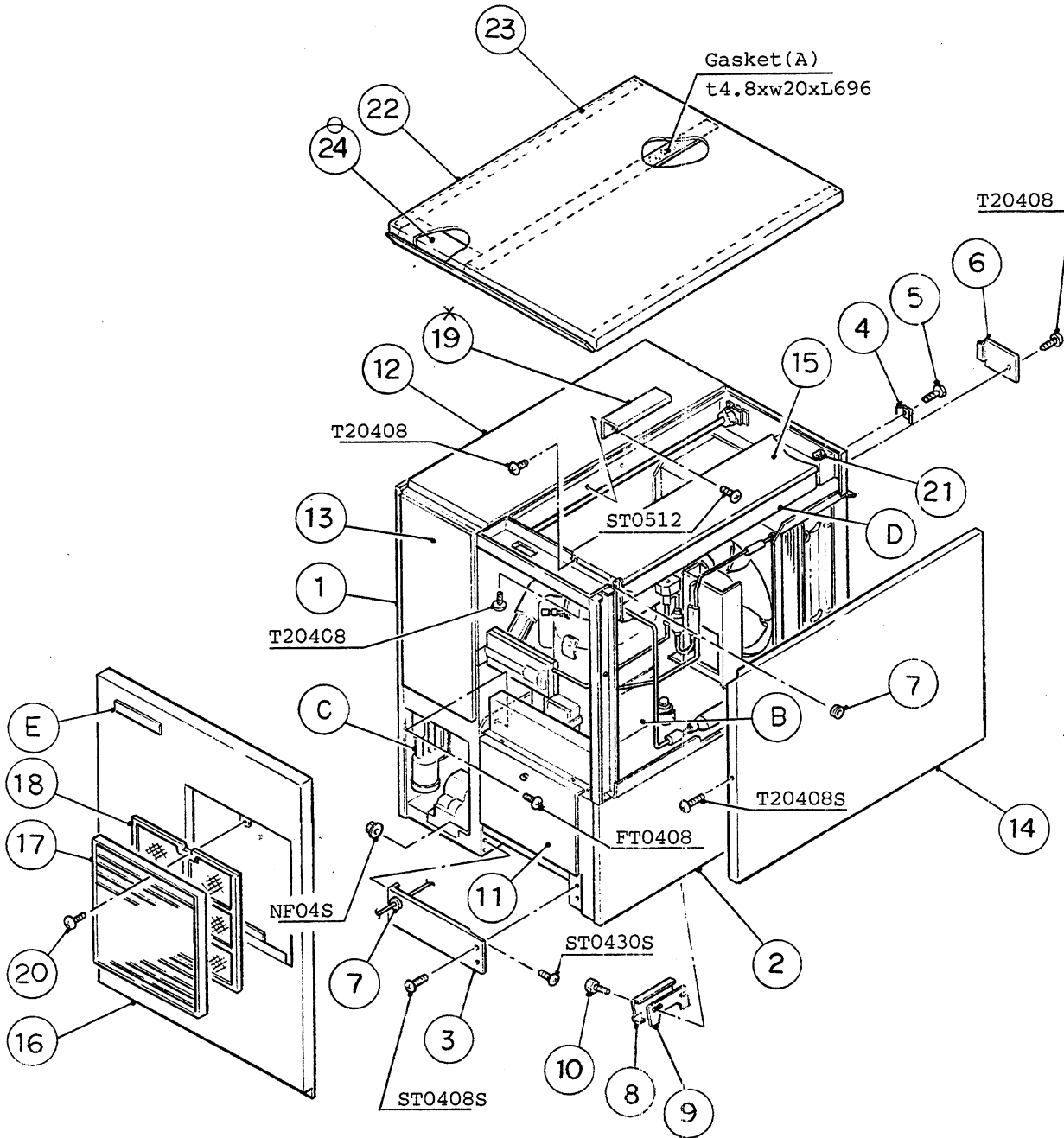
Ex. S1, S2, B3 etc.

And abbreviations and names are shown under the illustration.

HA
KM-450MAB

A. ICE CUBER ASSY

(B-1)(A-2)
(A-1)(A-0)
(K-2)(K-1)



HA

MODEL		TITLE						
KM-450MAB		A. ICE CUBER ASSY						
INDEX NO.	DESCRIPTION	MATERIAL OR MODEL NUMBER	PART NUMBER	REQ'D NUMBER				
				K-1	K-2	A-0	A-1	A-2
B	REFRIGERATION CIRCUIT	-	104735A01	1	-			
			105135A01		1	1	✕	
			105135A02				①	1
C	WATER CIRCUIT	-	104406A06	1	-			
			105126A02		1	1	1	1
			212389A05	1	1	1	1	-
D	CONT. BOX ASSY	-	212389A06					1
			324128A01	1	1	1	✕	
			324128A02				①	-
E	LABEL LOCATION	-	324128A03					1
			104404G05	1	-			
			104404G07		1	1	1	1
2	Base	-	104120G06	1	1	1	✕	
			104120G10				①	1
3	Front Frame	S. S	321524-01	1	1	1	1	1
4	Square Washer	Copper	433537-01	✕				
			433537-02	①	1	1	1	1
5	Screw - Grounding	Brass	433304-01	✕				
			433304-02	①	1	1	1	1
6	Junction Box Cover	G. S	433410-01	1	1	1	1	1
7	Bushing	EPDM	425307-01	2	2	2	2	2
8	Bulb Holder (A)	S. S	433707-01	1	1	1	1	1
9	Bulb Holder (B)	ABS	433708-01	1	-			
			436549-01		1	1	1	1
10	Thumbscrew	ABS, S. S	415949G01	2	-			
			415949G03		2	2	2	2
11	Base Cover	S. S	321525G01	1	1	1	1	1
12	Top Insulation	ABS, PE	322256G01	1	1	1	✕	
			215730G01				①	1
13	Front Insulation	ABS, PE	322257G01	1	1	1	✕	
			215731G01				①	1
14	Side Panel (R)	S. S	211811G01	1	1	1	1	1
15	Cont. Box Cover	G. S	322009G01	1	1	1	1	1
16	Front Panel	S. S	323004G05	1	1	1	1	1

E

HA

MODEL		TITLE						
KM-450MAB		A. ICE CUBER ASSY						
INDEX NO.	DESCRIPTION	MATERIAL OR MODEL NUMBER	PART NUMBER	REQ'D NUMBER				
				B-1				
B	REFRIGERATION CIRCUIT	-	105135A02	1				
C	WATER CIRCUIT	-	105126A02	1				
D	CONT. BOX ASSY	-	212389A06	1				
E	LABEL LOCATION	-	324128A03	1				
1	Evap. Case	-	104404G07	1				
2	Base	-	104120G10	1				
3	Front Frame	S. S	321524-01	1				
4	Square Washer	Copper	433537-02	1				
5	Screw - Grounding	Brass	433304-02	1				
6	Junction Box Cover	G. S	433410-01	1				
7	Bushing	EPDM	425307-01	2				
8	Bulb Holder (A)	S. S	433707-01	1				
9	Bulb Holder (B)	ABS	436549-01	1				
10	Thumbscrew	ABS, S. S	415949G03	2				
11	Base Cover	S. S	321525G01	1				
12	Top Insulation	ABS, PE	215730G01	1				
13	Front Insulation	ABS, PE	215731G01	1				
14	Side Panel (R)	S. S	211811G01	1				
15	Cont. Box Cover	G. S	322009G01	1				
16	Front Panel	S. S	323004G05	1				

E

HA

MODEL		TITLE			REQ'D NUMBER				
KM-450MAB		A. ICE CUBER ASSY							
INDEX NO.	DESCRIPTION	MATERIAL OR MODEL NUMBER	PART NUMBER	REQ'D NUMBER					
				K-1	K-2	A-0	A-1	A-2	
17	Louver (B)	-	103121-01	1	1	1	1	1	
18	Air Filter (B)	-	208283G01	1	1	1	1	1	
19	Hook	G. S	433769-01	✕					
20	Tapping Screw (Black)	Steel	433954-01	1	1	1	1	1	
21	Bushing	SR-30-1	420472-03	1	1	1	1	1	
22	Top Panel	} (324859A01)	213544-01	1	1	1	1	1	
23	Gasket		PVC	427014-04	2	2	2	2	2
24	Insulation		PE Foam	438012-01	①	1	1	1	1

E

HA

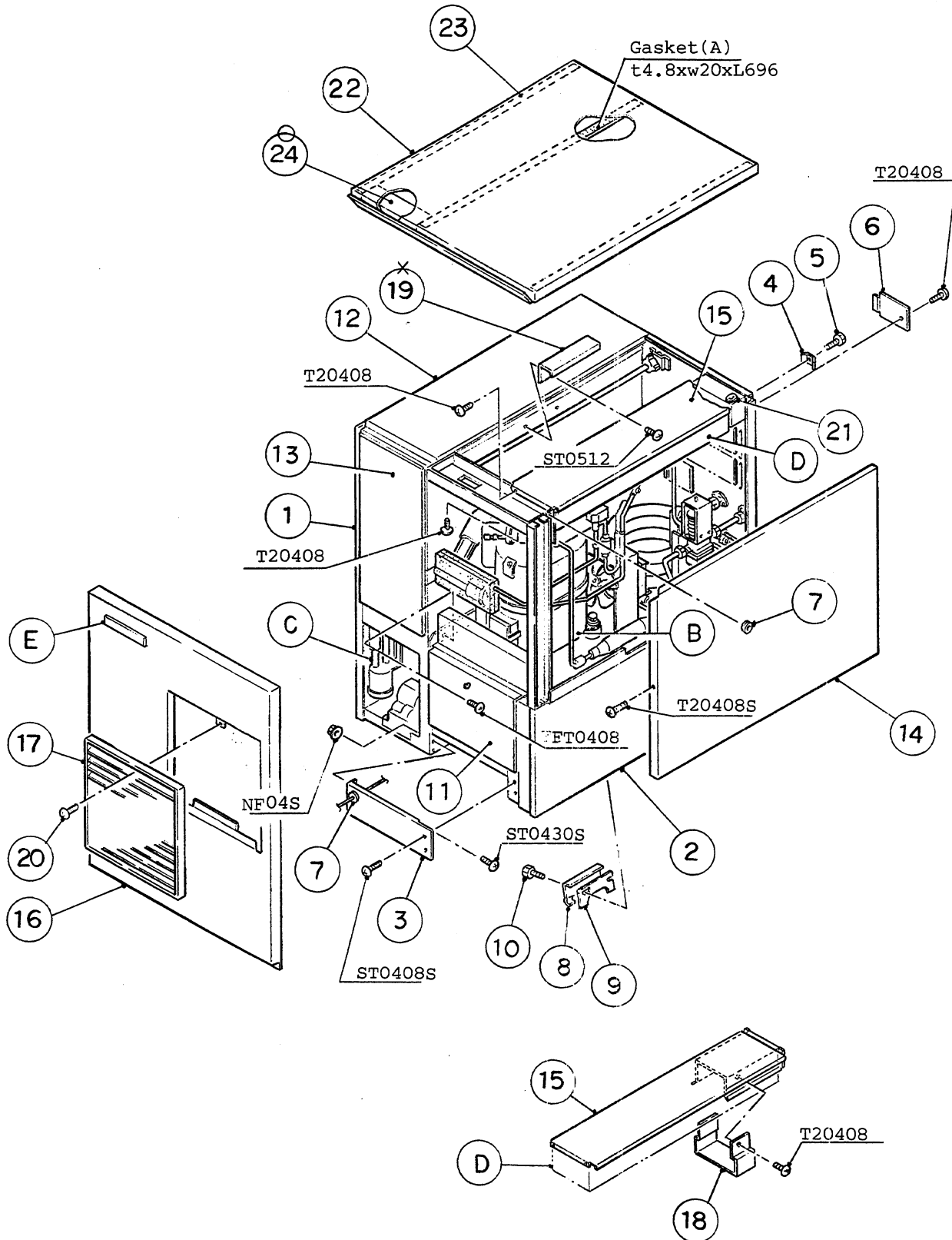
MODEL		TITLE						
KM-450MAB		A. ICE CUBER ASSY						
INDEX NO.	DESCRIPTION	MATERIAL OR MODEL NUMBER	PART NUMBER	REQ'D NUMBER				
				B-1				
17	Louver (B)	-	103121-01	1				
18	Air Filter (B)	-	208283G01	1				
19	-	-	-	-				
20	Tapping Screw (Black)	Steel	433954-01	1				
21	Bushing	SR-30-1	420472-03	1				
22	Top Panel	} (324859A01)	213544-01	1				
23	Gasket		} PVC	427014-04	2			
24	Insulation		} PE Foam	438012-01	1			

E

HA
KM-450MB

A. ICE CUBER ASSY

(B-1)
(A-2) (A-1) (A-0)
(K-3) (K-2) (K-1)



HA

MODEL		TITLE			REQ'D NUMBER				
KM-450MWB		A. ICE CUBER ASSY			K-1	K-2	K-3	A-0	A-1
INDEX NO.	DESCRIPTION	MATERIAL OR MODEL NUMBER	PART NUMBER	K-1	K-2	K-3	A-0	A-1	
B	REFRIGERATION CIRCUIT	-	104736A01	1	1	-			
			105136A01			1	1	1	
C	WATER CIRCUIT	-	104406A06	1	1	-			
			105126A02			1	1	1	
D	CONT. BOX ASSY	-	212389A05	1	1	1	1	1	
E	LABEL LOCATION	-	324127A01	1	1	1	✕		
			324127A02				①	1	
1	Evap. Case	-	104404G05	1	1	-			
			104404G07			1	1	1	
2	Base	-	104120G07	1	1	1	1	1	
3	Front Frame	S. S	321524-01	1	1	1	1	1	
4	Square Washer	Copper	433537-01	✕					
			433537-02	①	1	1	1	1	
5	Screw - Grounding	Brass	433304-01	✕					
			433304-02	①	1	1	1	1	
6	Junction Box Cover	G. S	433410-01	1	1	1	1	1	
7	Bushing	EPDM	425307-01	2	2	2	2	2	
8	Bulb Holder (A)	S. S	433707-01	1	1	1	1	1	
9	Bulb Holder (B)	ABS	433708-01	1	1	-			
			436549-01			1	1	1	
10	Thumbscrew	ABS, S. S	415949G01	2	2	-			
			415949G03			2	2	2	
11	Base Cover	S. S	321525G01	1	1	1	1	1	
12	Top Insulation	ABS, PE	322256G01	1	1	1	1	✕	
			215730G01					①	
13	Front Insulation	ABS, PE	322257G01	1	1	1	1	✕	
			215731G01					①	
14	Side Panel (R)	S. S	211811G01	1	1	1	1	1	
15	Cont. Box Cover	G. S	322009G01	1	1	1	1	1	
16	Front Panel	S. S	323004G04	1	1	1	1	1	
17	Louver (B)	ABS	103121-01	1	1	1	1	1	
18	Guide	G. S	434577-01	1	1	1	1	1	
19	Hook	G. S	433769-01	✕					
20	Tapping Screw (Black)	Steel	433954-01	1	1	1	1	1	

E

HA

MODEL		TITLE					
KM-450MWB		A. ICE CUBER ASSY					
INDEX NO.	DESCRIPTION	MATERIAL OR MODEL NUMBER	PART NUMBER	REQ'D NUMBER			
				A-2	B-1		
B	REFRIGERATION CIRCUIT	-	105136A01	1	1		
C	WATER CIRCUIT	-	105126A02	1	1		
D	CONT. BOX ASSY	-	212389A05	-			
			212389A06	1	1		
E	LABEL LOCATION	-	324127A02	-			
			324127A03	1	1		
1	Evap. Case	-	104404G07	1	1		
2	Base	-	104120G07	1	1		
3	Front Frame	S. S	321524-01	1	1		
4	Square Washer	Copper	433537-02	1	1		
5	Screw - Grounding	Brass	433304-02	1	1		
6	Junction Box Cover	G. S	433410-01	1	1		
7	Bushing	EPDM	425307-01	2	2		
8	Bulb Holder (A)	S. S	433707-01	1	1		
9	Bulb Holder (B)	ABS	436549-01	1	1		
10	Thumbscrew	ABS, S. S	415949G03	2	2		
11	Base Cover	S. S	321525G01	1	1		
12	Top Insulation	ABS, PE	215730G01	1	1		
13	Front Insulation	ABS, PE	215731G01	1	1		
14	Side Panel (R)	S. S	211811G01	1	1		
15	Cont. Box Cover	G. S	322009G01	1	1		
16	Front Panel	S. S	323004G04	1	1		
17	Louver (B)	ABS	103121-01	1	1		
18	Guide	G. S	434577-01	1	1		
19	-	-	-	-			
20	Tapping Screw (Black)	Steel	433954-01	1	1		

E

HA

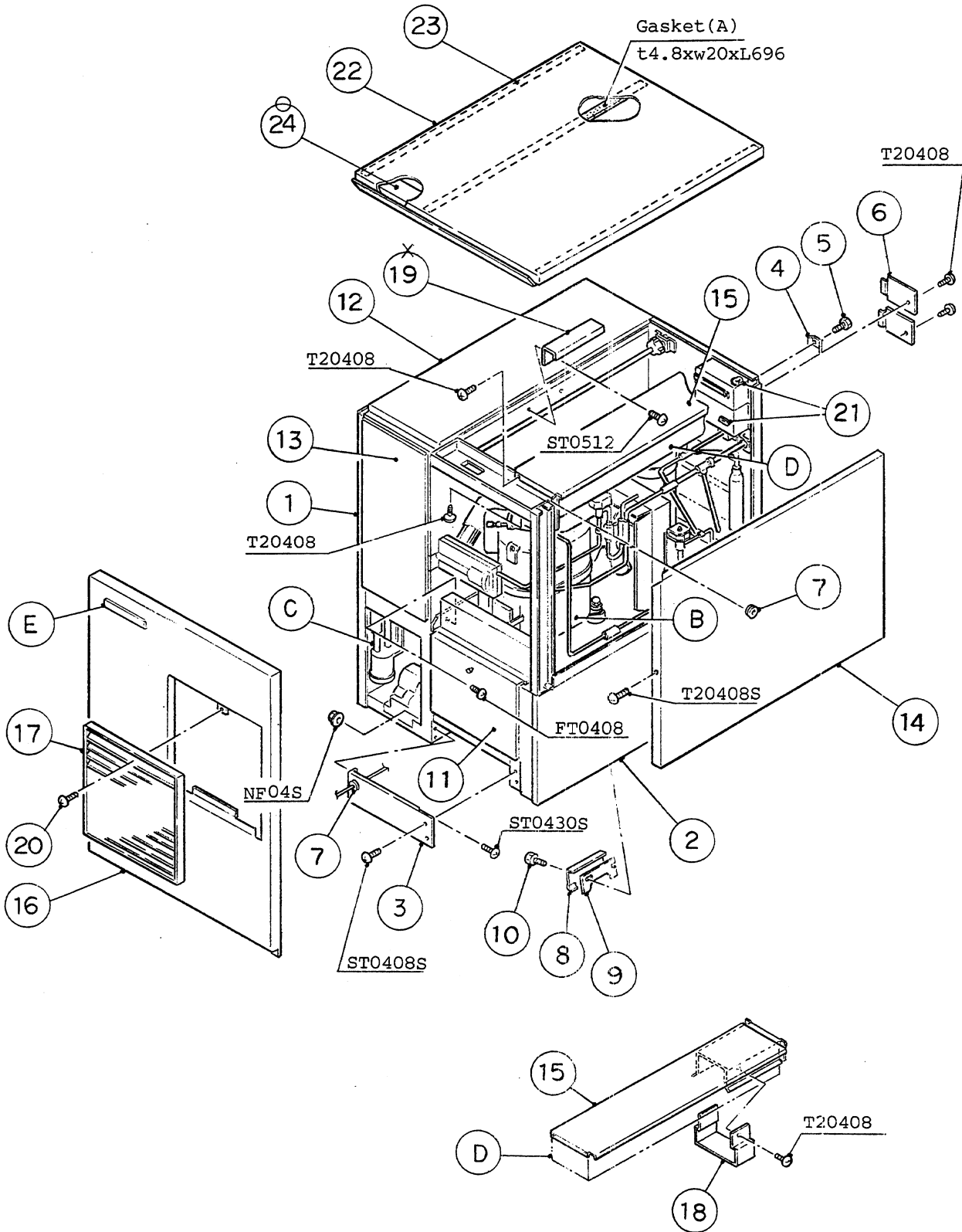
MODEL		TITLE			REQ'D NUMBER				
KM-450MWB		A. ICE CUBER ASSY			K-1	K-2	K-3	A-0	A-1
INDEX NO.	DESCRIPTION	MATERIAL OR MODEL NUMBER	PART NUMBER	K-1	K-2	K-3	A-0	A-1	
21	Bushing	SR-30-1	420472-03	1	1	1	1	1	
22	Top Panel	(322514A03)	213544-01	1	1	1	1	1	
		(324859A01)							
23	Gasket	PVC	427014-04	2	2	2	2	2	
24	Insulation	PE Foam	438012-01	①	1	1	1	1	

E

HA

MODEL		TITLE						
KM-450MWB		A. ICE CUBER ASSY						
INDEX NO.	DESCRIPTION	MATERIAL OR MODEL NUMBER	PART NUMBER	REQ'D NUMBER				
				A-2	B-1			
21	Bushing	SR-30-1	420472-03	1	1			
22	Top Panel	(322514A03)	213544-01	1	1			
		(324859A01)						
23	Gasket	PVC	427014-04	2	2			
24	Insulation	PE Foam	438012-01	1	1			

E



HA

MODEL		TITLE						
KM-450MRB		A. ICE CUBER ASSY						
INDEX NO.	DESCRIPTION	MATERIAL OR MODEL NUMBER	PART NUMBER	REQ'D NUMBER				
				K-1	K-2	A-0	A-1	A-2
B	REFRIGERATION CIRCUIT	-	104737A01	1	-			
			105134A01		1	1	1	1
C	WATER CIRCUIT	-	104406A06	1	-			
			105126A02		1	1	1	1
D	CONT. BOX ASSY	-	212389A05	1	1	1	1	-
			212389A06					1
E	LABEL LOCATION	-	324126A01	1	1	1	1	-
			324126A02					1
1	Evap. Case	-	104404G05	1	-			
			104404G07		1	1	1	1
2	Base	-	104120G08	1	1	1	1	1
3	Front Frame	S. S	321524-01	1	1	1	1	1
4	Square Washer	Copper	433537-01	⊗				
			433537-02	②	2	2	2	2
5	Screw - Gounding	Brass	433304-01	⊗				
			433304-02	②	2	2	2	2
6	Junction Box Cover	G. S	433410-01	2	2	2	2	2
7	Bushing	EPDM	425307-01	2	2	2	2	2
8	Bulb Holder (A)	S. S	433707-01	1	1	1	1	1
9	Bulb Holder (B)	ABS	433708-01	1	-			
			436549-01		1	1	1	1
10	Thumbscrew	ABS, S. S	415949G01	2	-			
			415949G03		2	2	2	2
11	Base Cover	S. S	321525G01	1	1	1	1	1
12	Top Insulation	ABS, PE	322256G01	1	1	1	⊗	
			215730G01				①	1
13	Front Insulation	ABS, PE	322257G01	1	1	1	⊗	
			215731G01				①	1
14	Side Panel (R)	S. S	211811G01	1	1	1	1	1
15	Cont. Box Cover	G. S	322009G01	1	1	1	1	1
16	Front Panel	S. S	323004G04	1	1	1	1	1
17	Louver (B)	ABS	103121-01	1	1	1	1	1
18	Guide	G. S	434577-01	1	1	1	1	1
19	Hook	G. S	433769-01	⊗				

E

HA

MODEL		TITLE			REQ'D NUMBER				
KM-450MRB		A. ICE CUBER ASSY							
INDEX NO.	DESCRIPTION	MATERIAL OR MODEL NUMBER	PART NUMBER	REQ'D NUMBER					
				B-1					
B	REFRIGERATION CIRCUIT	-	105134A01	1					
C	WATER CIRCUIT	-	105126A02	1					
D	CONT. BOX ASSY	-	212389A06	1					
E	LABEL LOCATION	-	324126A02	1					
1	Evap. Case	-	104404G07	1					
2	Base	-	104120G08	1					
3	Front Frame	S. S	321524-01	1					
4	Square Washer	Copper	433537-02	2					
5	Screw - Gounding	Brass	433304-02	2					
6	Junction Box Cover	G. S	433410-01	2					
7	Bushing	EPDM	425307-01	2					
8	Bulb Holder (A)	S. S	433707-01	1					
9	Bulb Holder (B)	ABS	436549-01	1					
10	Thumbscrew	ABS, S. S	415949G03	2					
11	Base Cover	S. S	321525G01	1					
12	Top Insulation	ABS, PE	215730G01	1					
13	Front Insulation	ABS, PE	215731G01	1					
14	Side Panel (R)	S. S	211811G01	1					
15	Cont. Box Cover	G. S	322009G01	1					
16	Front Panel	S. S	323004G04	1					
17	Louver (B)	ABS	103121-01	1					
18	Guide	G. S	434577-01	1					
19	-	-	-	-					

E

HA

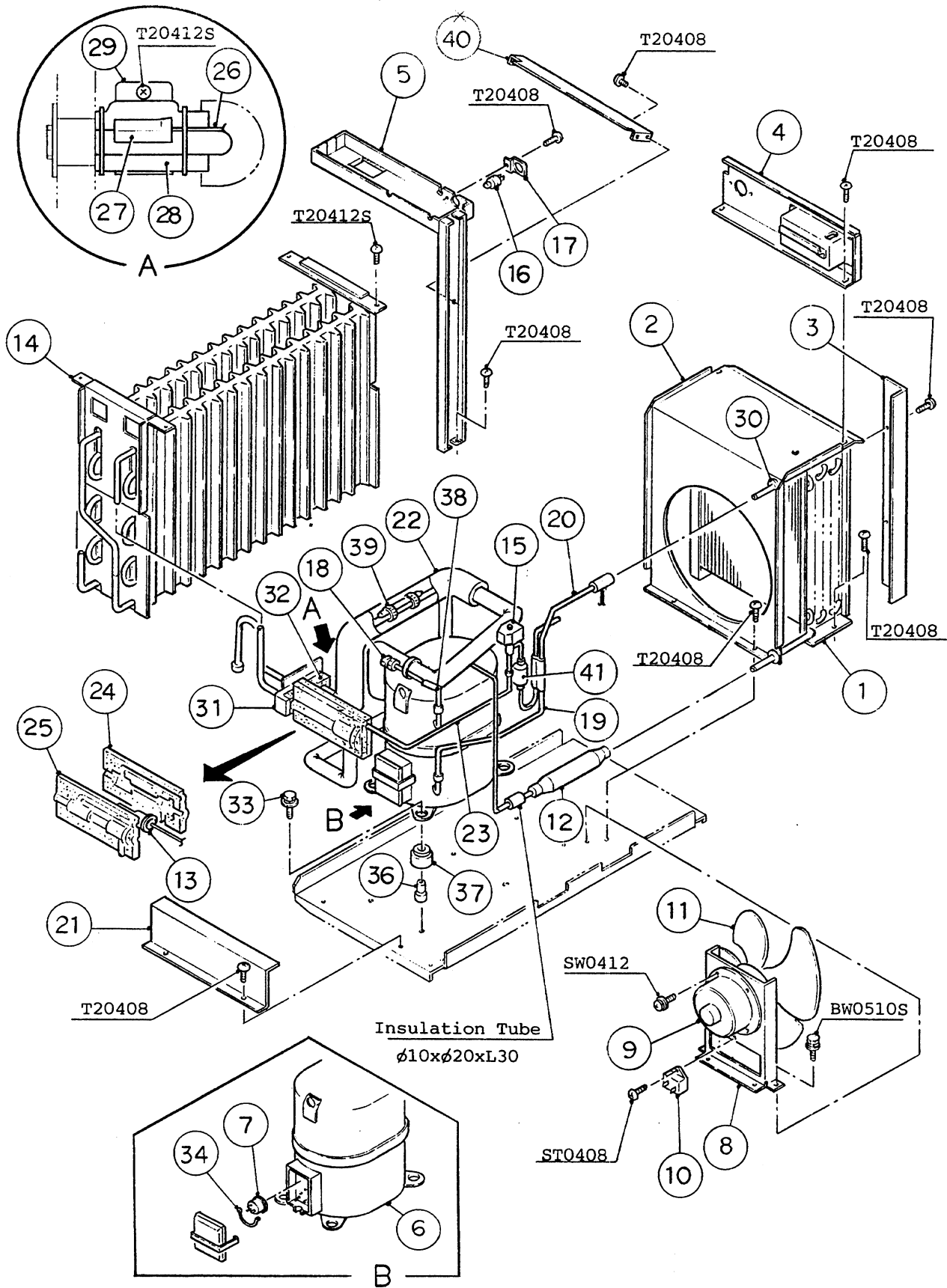
MODEL		TITLE						
KM-450MRB		A. ICE CUBER ASSY						
INDEX NO.	DESCRIPTION	MATERIAL OR MODEL NUMBER	PART NUMBER	REQ'D NUMBER				
				K-1	K-2	A-0	A-1	A-2
20	Tapping Screw (Black)	Steel	433954-01	1	1	1	1	1
21	Bushing	SR-30-1	420472-03	2	2	2	2	2
22	Top Panel	(322514A03)	213544-01	1	1	1	1	1
		(324859A01)						
23	Gasket	PVC	427014-04	2	2	2	2	2
24	Insulation	PE Foam	438012-01	①	1	1	1	1

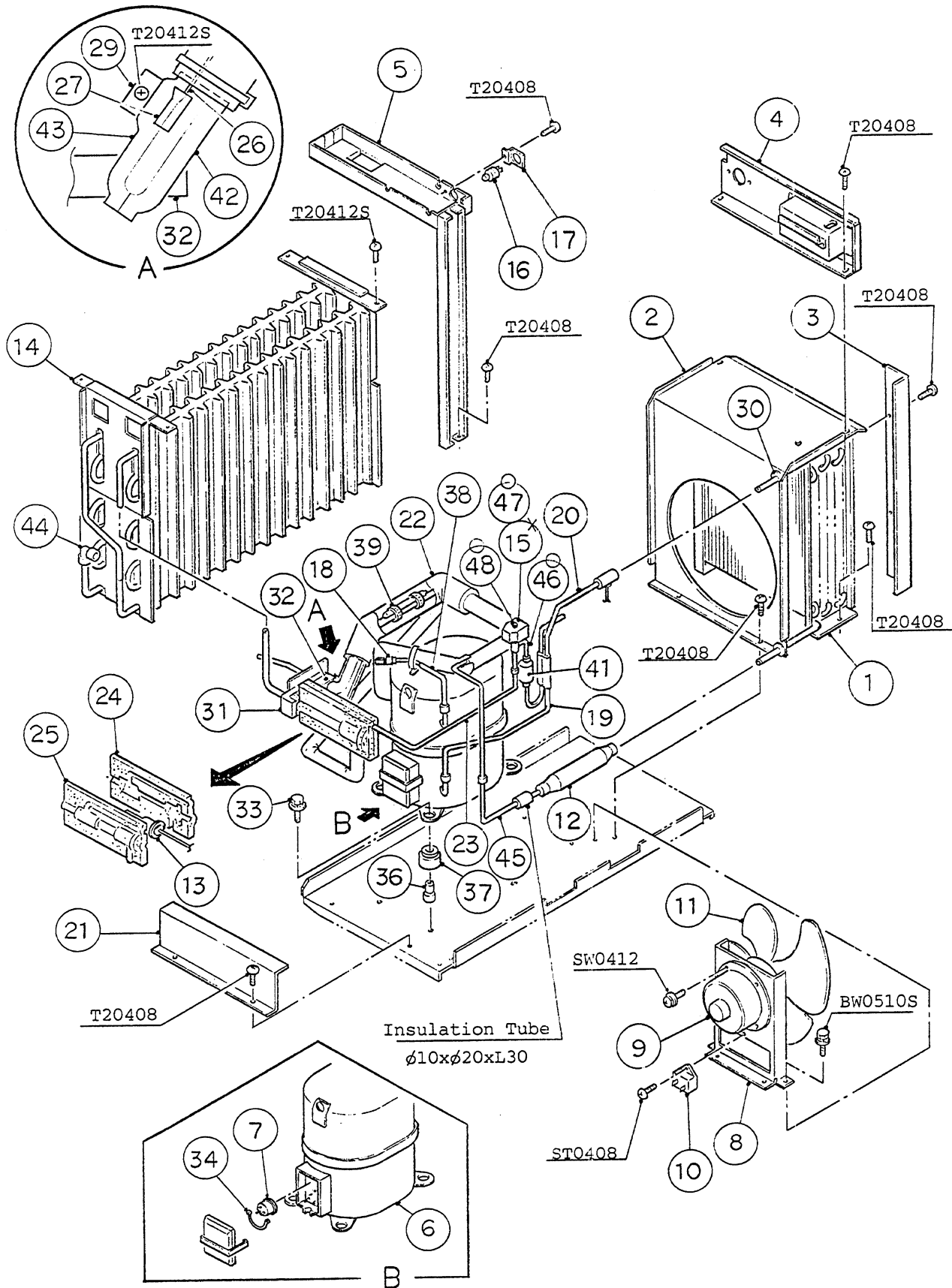
E

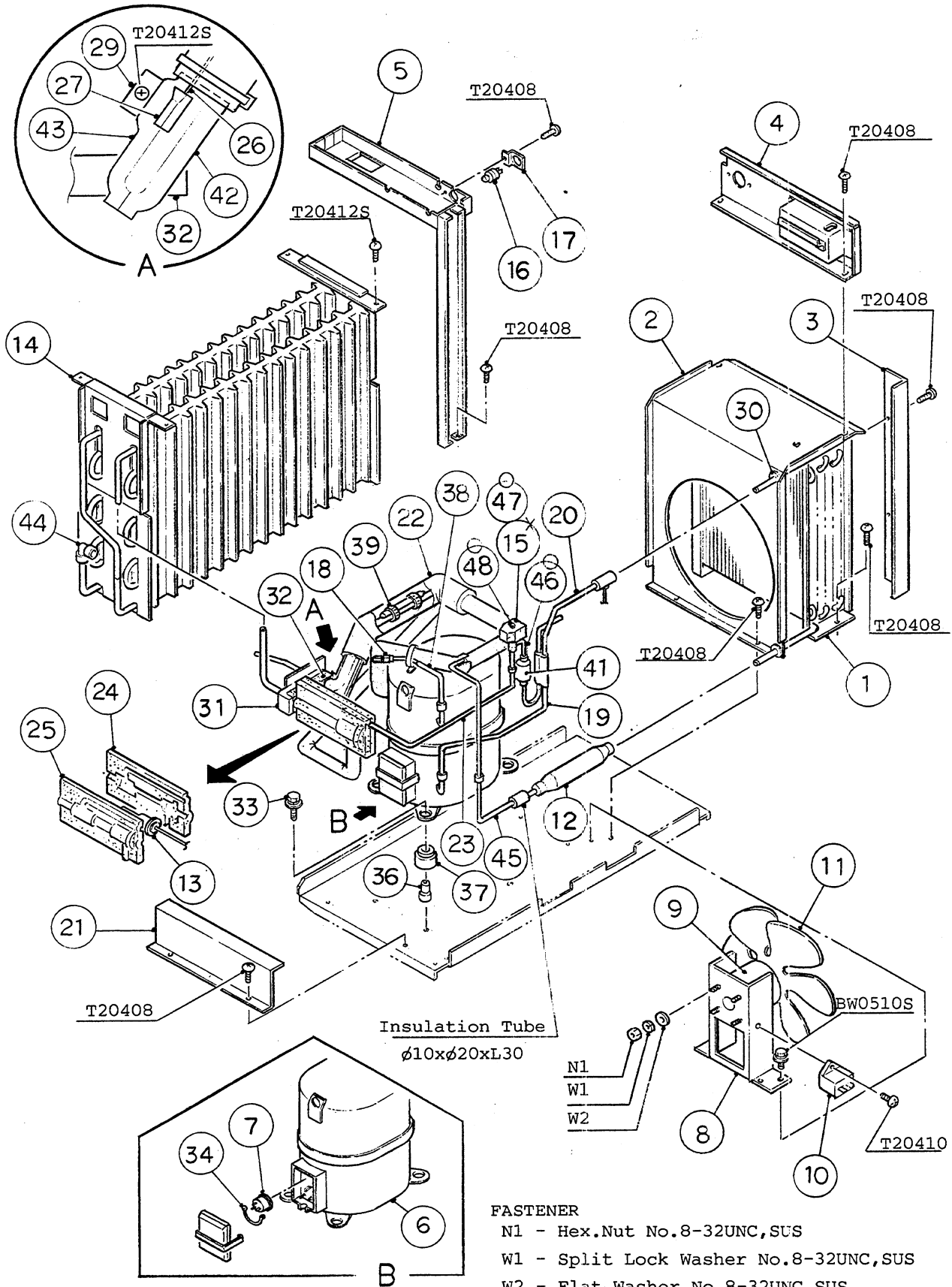
HA

MODEL		TITLE						
KM-450MRB		A. ICE CUBER ASSY						
INDEX NO.	DESCRIPTION	MATERIAL OR MODEL NUMBER	PART NUMBER	REQ'D NUMBER				
				B-1				
20	Tapping Screw (Black)	Steel	433954-01	1				
21	Bushing	SR-30-1	420472-03	2				
22	Top Panel	(322514A03)	213544-01	1				
		(324859A01)						
23	Gasket	PVC	427014-04	2				
24	Insulation	PE Foam	438012-01	1				

E







HA

MODEL		TITLE						
KM-450MAB		B. REFRIGERATION CIRCUIT						
INDEX NO.	DESCRIPTION	MATERIAL OR MODEL NUMBER	PART NUMBER	REQ'D NUMBER				
				K-1	K-2	A-0	A-1	A-2
1	Condenser	-	211750-01	1	1	1	1	1
2	Shroud	G. S	213937-01	1	1	1	1	1
3	Barrier	G. S	433693-01	1	1	1	1	1
4	Rear Panel	G. S	322008G02	✕				
			322008G03	①	-			
			322008G04		1	1	1	1
5	Frame	G. S	324124G01	1	-			
			325945G01		1	1	1	1
6	Compressor	JSL5-0075-CAA	437356-01	1	1	1	1	1
7	Motor Protector	-	437357-01	1	1	1	1	1
8	Fan Motor Bracket	G. S	324123-01	1	1	1	✕	
			327179-01				①	1
9	Fan Motor	EP-TZ56	2U0090-01	1	1	1	✕	
		U90B1, 7190-1031	440911-01				①	1
10	Capacitor	6 μ F, 220V	431928-01	1	1	1	✕	
		5MFD, 240V	431928-04				①	1
11	Fan Blade	FW-25PHR	425729-01	1	1	1	✕	
		C202556	437749-01				①	1
12	Drier	-	427061-02	1	1	1	1	1
13	Exp. Valve	HFE-10RHD-1	433534-01	1	1	1	1	1
14	Evaporator	-	104167G01	1	1	1	1	1
15	Hot Gas Valve	ADS-24HD-2	3U0082-02	1	✕			
16	Pressure Switch	ACB-2UB04	433441-05	1	1	1	1	1
17	Pressure Switch Bracket	G. S	434578-01	1	1	1	1	1
18	Access Valve	TCJ-2F15-HD	417366-01	1	1	1	1	1
19	Copper Tube (A) - High Side	Copper	324149G02	1	1	1	1	1
20	Copper Tube (B) - High Side	Copper	436873G01	1	1	1	1	1
21	Barrier	G. S	322086-01	1	1	1	1	1
22	Heat Exchanger	-	213943G01	1	-			
			215447G01		1	1	1	1
23	Copper Tube (A) - Low Side	-	324120G01	1	1	1	1	1
24	Exp. Valve Cover (A)	PE Foam	321425-01	1	1	1	1	1
25	Exp. Valve Cover (B)	PE Foam	321425-02	1	1	1	1	1
26	Thermistor	-	429006-03	1	1	1	1	1
27	Holder - Thermistor	Copper	427430-01	1	1	1	1	1

E

HA

MODEL		TITLE						
KM-450MAB		B. REFRIGERATION CIRCUIT						
INDEX NO.	DESCRIPTION	MATERIAL OR MODEL NUMBER	PART NUMBER	REQ'D NUMBER				
				B-1				
1	Condenser	-	211750-01	1				
2	Shroud	G. S	213937-01	1				
3	Barrier	G. S	433693-01	1				
4	Rear Panel	G. S	322008G04	1				
5	Frame	G. S	325945G01	1				
6	Compressor	JSL5-0075-CAA	437356-01	1				
7	Motor Protector	-	437357-01	1				
8	Fan Motor Bracket	G. S	327179-01	1				
9	Fan Motor	U90B1, 7190-1031	440911-01	1				
10	Capacitor	5MFD, 240V	431928-04	1				
11	Fan Blade	C202556	437749-01	1				
12	Drier	-	427061-02	1				
13	Exp. Valve	HFE-10RHD-1	433534-01	1				
14	Evaporator	-	104167G01	1				
15	-	-	-	-				
16	Pressure Switch	ACB-2UB04	433441-05	1				
17	Pressure Switch Bracket	G. S	434578-01	1				
18	Access Valve	TCJ-2F15-HD	417366-01	1				
19	Copper Tube (A) - High Side	Copper	324149G02	1				
20	Copper Tube (B) - High Side	Copper	436873G01	1				
21	Barrier	G. S	322086-01	1				
22	Heat Exchanger	-	215447G01	1				
23	Copper Tube (A) - Low Side	-	324120G01	1				
24	Exp. Valve Cover (A)	PE Foam	321425-01	1				
25	Exp. Valve Cover (B)	PE Foam	321425-02	1				
26	Thermistor	-	429006-03	1				
27	Holder - Thermistor	Copper	427430-01	1				

E

HA

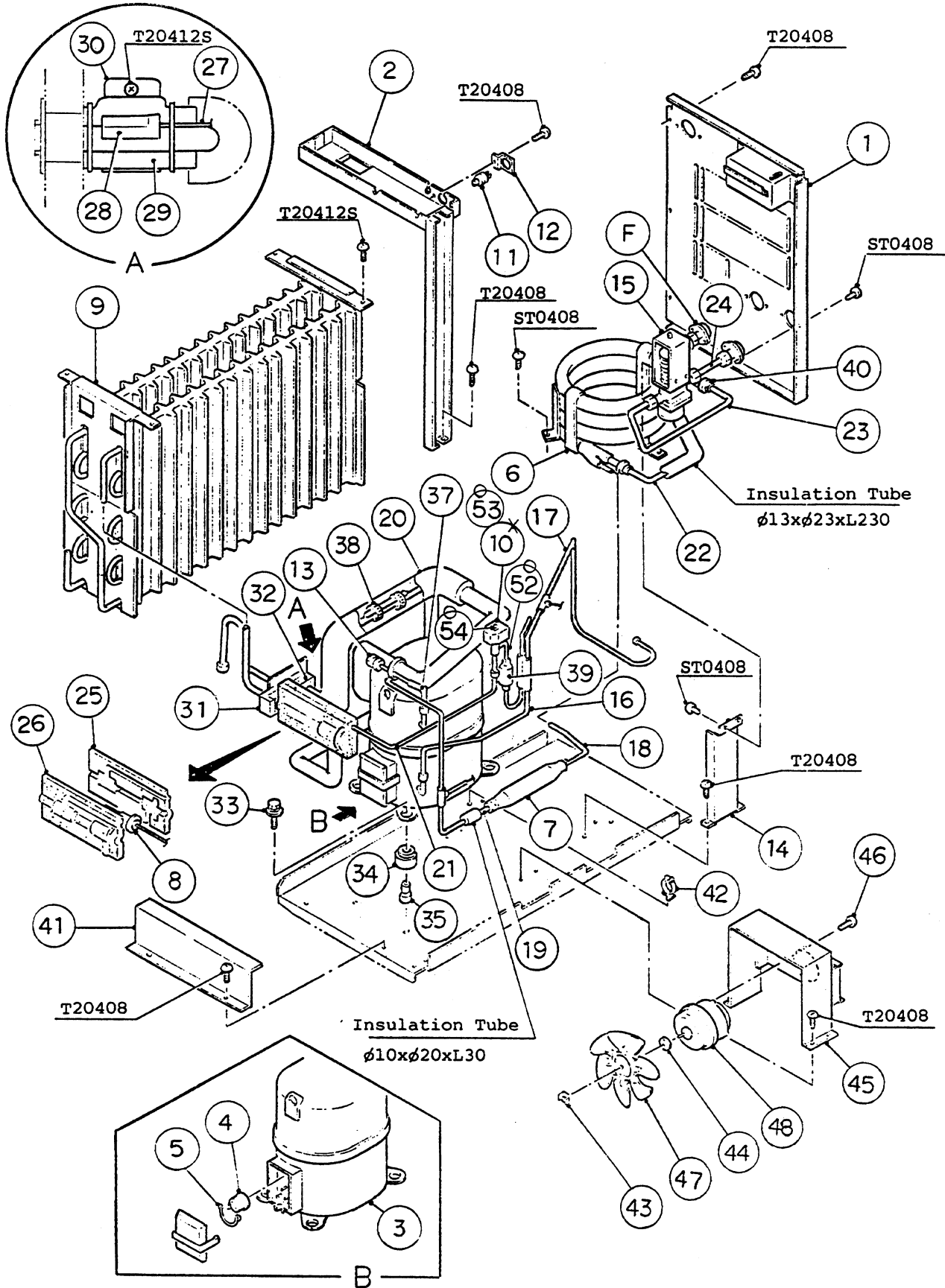
MODEL		TITLE						
KM-450MAB		B. REFRIGERATION CIRCUIT						
INDEX NO.	DESCRIPTION	MATERIAL OR MODEL NUMBER	PART NUMBER	REQ'D NUMBER				
				K-1	K-2	A-0	A-1	A-2
28	Insulation - Thermistor	PE Foam	427441-01	1	-			
29	Strap - Thermistor	S. S	4A0035-01	1	1	1	1	1
30	Bushing	OCB-625	428394-03	2	2	2	2	2
31	Rubber Tube (A)	EPDM	321424-01	1	1	1	1	1
32	Insulation	PE Foam	433695-01	1	1	1	1	1
33	Bolt	-	437889-01	4	4	4	4	4
34	Protector Holder	-	437379-01	1	1	1	1	1
35	-	-	-	-				
36	Spacer	-	434404-01	4	4	4	4	4
37	Grommet	-	434403-01	4	4	4	4	4
38	Copper Tube - Access Valve	Copper	438007-01	1	1	1	1	1
39	Clamp	D11-S	435254-04	2	2	2	2	2
40	Plate	-	436872-01	✕				
41	Strainer	-	430365-01	1	1	1	1	1
42	Insulation - Thermistor (A)	PE Form	439368-01		1	1	1	1
43	Insulation - Thermistor (B)	PE Form	439368-02		1	1	1	1
44	Elbow	-	417395-03		1	1	1	1
45	Copper Tube (C) - High Side	Copper	439369-01		1	1	1	1
46	Valve Body	-	440351-01		①	1	1	1
47	Coil Valve	24	440355-01		①	1	1	1
48	Bolt	ADS-24HD-2	440355F01		①	1	1	1

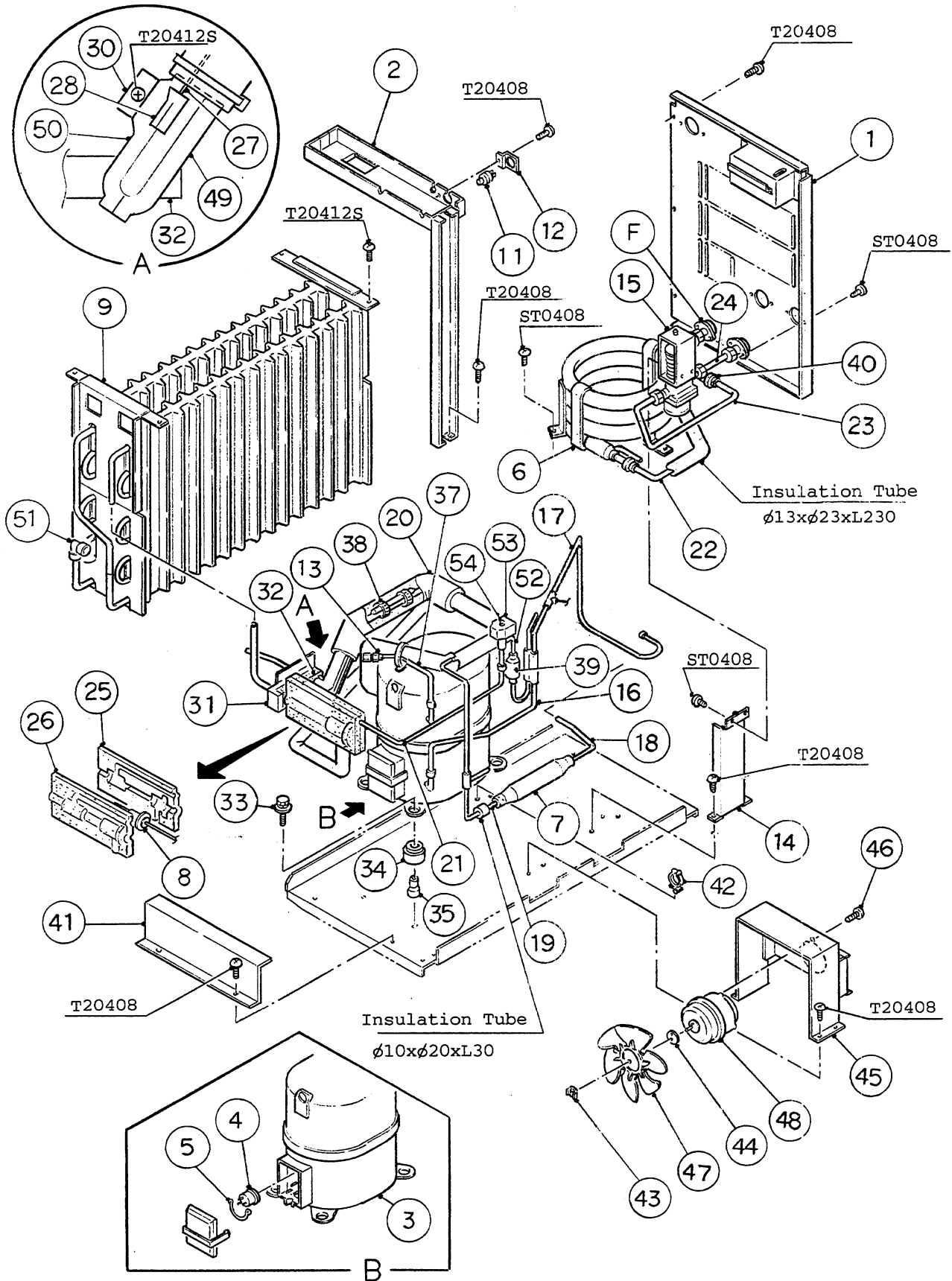
E

HA

MODEL		TITLE							
KM-450MAB		B. REFRIGERATION CIRCUIT							
INDEX NO.	DESCRIPTION	MATERIAL OR MODEL NUMBER	PART NUMBER	REQ'D NUMBER					
				B-1					
28	-	-	-	-					
29	Strap - Thermistor	S. S	4A0035-01	1					
30	Bushing	OCB-625	428394-03	2					
31	Rubber Tube (A)	EPDM	321424-01	1					
32	Insulation	PE Foam	433695-01	1					
33	Bolt	-	437889-01	4					
34	Protector Holder	-	437379-01	1					
35	-	-	-	-					
36	Spacer	-	434404-01	4					
37	Grommet	-	434403-01	4					
38	Copper Tube - Access Valve	Copper	438007-01	1					
39	Clamp	D11-S	435254-04	2					
40	-	-	-	-					
41	Strainer	-	430365-01	1					
42	Insulation - Thermistor (A)	PE Form	439368-01	1					
43	Insulation - Thermistor (B)	PE Form	439368-02	1					
44	Elbow	-	417395-03	1					
45	Copper Tube (C) - High Side	Copper	439369-01	1					
46	Valve Body	-	440351-01	1					
47	Coil Valve	24	440355-01	1					
48	Bolt	ADS-24HD-2	440355F01	1					

E





HA

MODEL		TITLE						
KM-450MWB		B. REFRIGERATION CIRCUIT						
INDEX NO.	DESCRIPTION	MATERIAL OR MODEL NUMBER	PART NUMBER	REQ'D NUMBER				
				K-1	K-2	K-3	A-0	A-1
F	FITTING (P) ASSY	(S-0351)	311425A01	2	2	2	2	2
1	Rear Panel	G. S	213945G01	✕				
			213945G02	①	1	-		
			213945G03			1	1	1
2	Frame	G. S	324124G01	1	1	-		
			325945G01			1	1	1
3	Compressor	JSL5-0075-CAA	437356-01	1	1	1	1	1
4	Motor Protector	-	437357-01	1	1	1	1	1
5	Protector Holder	-	437379-01	1	1	1	1	1
6	Condenser - Water-cooled	-	437029-01	1	-			
			438373-01		1	1	1	✕
			(S-0724) 215544G01					①
7	Drier	-	427061-02	1	1	1	1	1
8	Exp. Valve	HFE-10RHD-1	433534-01	1	1	1	1	1
9	Evaporator	-	104167G01	1	1	1	1	1
10	Hot Gas Valve	ADS-24HD-2	3U0082-02	1	✕			
11	Pressure Switch	ACB-2UB02	433441-01	1	1	1	1	1
12	Pressure Switch Bracket	G. S	434578-01	1	1	1	1	1
13	Access Valve	TCJ-2F15-HD	417366-01	1	1	1	1	1
14	Water Regulator Bracket	G. S	436897-01	1	1	1	1	1
15	Water Regulator	WV II -33RHD	415425-01	1	1	1	1	1
16	Copper Tube (A) - High Side	Copper	324149G02	1	1	1	1	1
17	Copper Tube (B) - High Side	Copper	324148G01	1	1	1	1	1
18	Copper Tube (C) - High Side	Copper	436896-01	1	1	1	1	1
19	Copper Tube (D) - High Side	Copper	436898G01	1	1	1	1	1
20	Heat Exchanger	Copper	213944G01	1	1	-		
			215447G01			1	1	1
21	Copper Tube (A) - Low Side	Copper	324120G01	1	1	1	1	1
22	Copper Tube (A) - Water Circuit	Copper	436876-01	1	1	1	1	1
23	Copper Tube (B) - Water Circuit	Copper	436874-01	1	1	1	1	1
24	Copper Tube (C) - Water Circuit	Copper	436875-01	1	1	1	1	1
E 25	Exp. Valve Cover (A)	PE Foam	321425-01	1	1	1	1	1

HA

MODEL		TITLE						
KM-450MWB		B. REFRIGERATION CIRCUIT						
INDEX NO.	DESCRIPTION	MATERIAL OR MODEL NUMBER	PART NUMBER	REQ'D NUMBER				
				A-2	B-1			
F	FITTING (P) ASSY	(S-0351)	311425A01	2	2			
1	Rear Panel	G. S	213945G03	1	1			
2	Frame	G. S	325945G01	1	1			
3	Compressor	JSL5-0075-CAA	437356-01	1	1			
4	Motor Protector	-	437357-01	1	1			
5	Protector Holder	-	437379-01	1	1			
6	Condenser - Water-cooled	(S-0724)	215544G01	1	1			
7	Drier	-	427061-02	1	1			
8	Exp. Valve	HFE-10RHD-1	433534-01	1	1			
9	Evaporator	-	104167G01	1	1			
10	-	-	-	-				
11	Pressure Switch	ACB-2UB02	433441-01	1	1			
12	Pressure Switch Bracket	G. S	434578-01	1	1			
13	Access Valve	TCJ-2F15-HD	417366-01	1	1			
14	Water Regulator Bracket	G. S	436897-01	1	1			
15	Water Regulator	WV II -33RHD	415425-01	1	1			
16	Copper Tube (A) - High Side	Copper	324149G02	1	1			
17	Copper Tube (B) - High Side	Copper	324148G01	1	1			
18	Copper Tube (C) - High Side	Copper	436896-01	1	1			
19	Copper Tube (D) - High Side	Copper	436898G01	1	1			
20	Heat Exchanger	Copper	215447G01	1	1			
21	Copper Tube (A) - Low Side	Copper	324120G01	1	1			
22	Copper Tube (A) - Water Circuit	Copper	436876-01	1	1			
23	Copper Tube (B) - Water Circuit	Copper	436874-01	1	1			
24	Copper Tube (C) - Water Circuit	Copper	436875-01	1	1			
25	Exp. Valve Cover (A)	PE Foam	321425-01	1	1			

E

HA

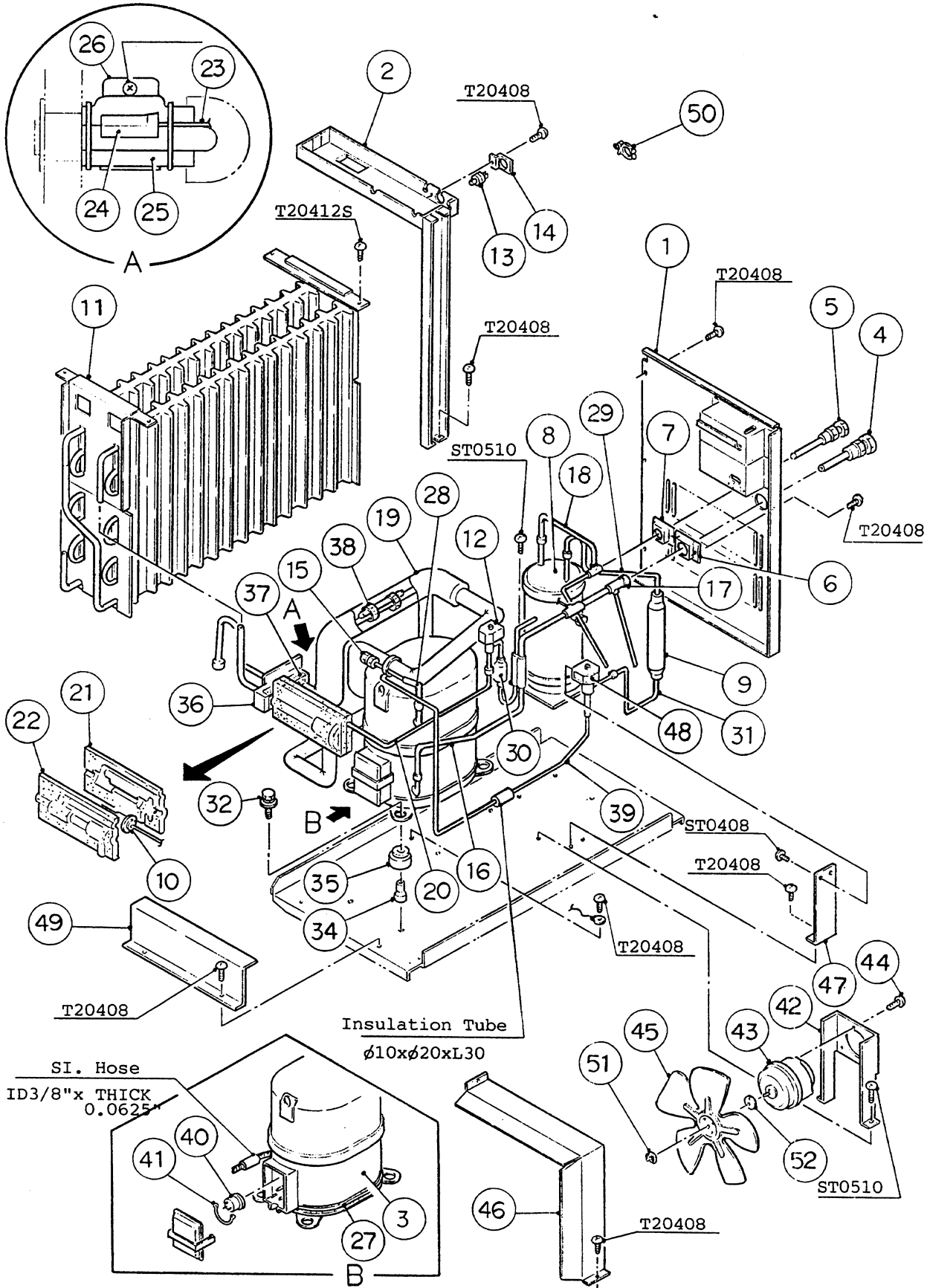
MODEL		TITLE						
KM-450MWB		B. REFRIGERATION CIRCUIT						
INDEX NO.	DESCRIPTION	MATERIAL OR MODEL NUMBER	PART NUMBER	REQ'D NUMBER				
				K-1	K-2	K-3	A-0	A-1
26	Exp. Valve Cover (B)	PE Foam	321425-02	1	1	1	1	1
27	Thermistor	-	429006-03	1	1	1	1	1
28	Holder - Thermistor	Copper	427430-01	1	1	1	1	1
29	Insulation - Thermistor	PE Foam	427441-01	1	1	-		
30	Strap - Thermistor	S. S	4A0035-01	1	1	1	1	1
31	Twin Bushing (A)	EPDM	321424-01	1	1	1	1	1
32	Insulation	PE Foam	433695-01	1	1	1	1	1
33	Bolt	-	437889-01	4	4	4	4	4
34	Grommet	-	434403-01	4	4	4	4	4
35	Spacer	-	434404-01	4	4	4	4	4
36	-	-	-	-	-	-	-	-
37	Copper Tube - Access Valve	Copper	438007-01	1	1	1	1	1
38	Clamp	D11-S	435254-04	2	2	2	2	2
39	Strainer	-	430365-01	1	1	1	1	1
40	Reducer	Copper	421904-03	2	2	2	2	2
41	Barrier	G. S	322086-01	1	1	1	1	1
42	Clamp	No. 4253	427902-05	1	1	1	1	1
43	Nut	-	435982-01	1	1	1	1	1
44	Washer	-	435983-01	1	1	1	1	1
45	Fan Motor Bracket	G. S	322771G01	1	1	1	1	1
46	Screw	-	436863-01	3	3	3	3	3
47	Fan Blade	-	435481-01	1	1	1	1	1
48	Fan Motor	5KSM51AG3789	435480-01	1	1	1	1	✕
		SPBB4ER1	440916-01					①
49	Insulation - Thermistor (A)	PE Foam	439368-01			1	1	1
50	Insulation - Thermistor (B)	PE Foam	439368-02			1	1	1
51	Elbow	-	417395-03			1	1	1
52	Valve Body	-	440351-01		①	1	1	1
53	Coil Valve	24	440355-01		①	1	1	1
54	Bolt	ADS-24HD-2	440355F01		①	1	1	1

E

HA

MODEL		TITLE						
KM-450MWB		B. REFRIGERATION CIRCUIT						
INDEX NO.	DESCRIPTION	MATERIAL OR MODEL NUMBER	PART NUMBER	REQ'D NUMBER				
				A-2	B-1			
26	Exp. Valve Cover (B)	PE Foam	321425-02	1	1			
27	Thermistor	-	429006-03	1	1			
28	Holder - Thermistor	Copper	427430-01	1	1			
29	-	-	-	-				
30	Strap - Thermistor	S. S	4A0035-01	1	1			
31	Twin Bushing (A)	EPDM	321424-01	1	1			
32	Insulation	PE Foam	433695-01	1	1			
33	Bolt	-	437889-01	4	4			
34	Grommet	-	434403-01	4	4			
35	Spacer	-	434404-01	4	4			
36	-	-	-	-				
37	Copper Tube - Access Valve	Copper	438007-01	1	1			
38	Clamp	D11-S	435254-04	2	2			
39	Strainer	-	430365-01	1	1			
40	Reducer	Copper	421904-03	2	2			
41	Barrier	G. S	322086-01	1	1			
42	Clamp	No. 4253	427902-05	1	1			
43	Nut	-	435982-01	1	1			
44	Washer	-	435983-01	1	1			
45	Fan Motor Bracket	G. S	322771G01	1	1			
46	Screw	-	436863-01	3	3			
47	Fan Blade	-	435481-01	1	1			
48	Fan Motor	SPBB4ER1	440916-01	1	1			
49	Insulation - Thermistor (A)	PE Foam	439368-01	1	1			
50	Insulation - Thermistor (B)	PE Foam	439368-02	1	1			
51	Elbow	-	417395-03	1	1			
52	Valve Body	-	440351-01	1	1			
53	Coil Valve	24	440355-01	1	1			
54	Bolt	ADS-24HD-2	440355F01	1	1			

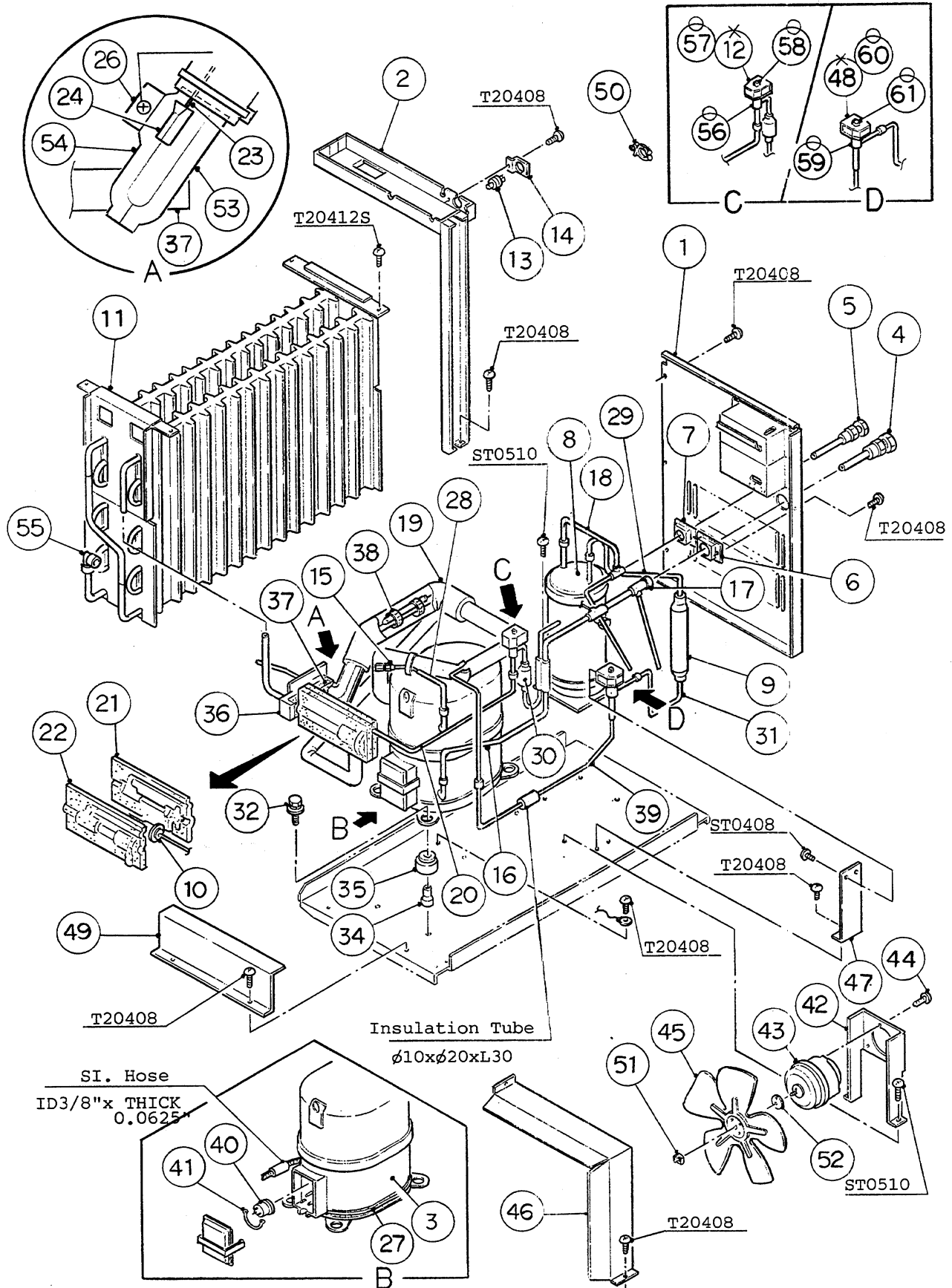
E



HA
KM-450MRB

B. REFRIGERATION CIRCUIT

(B-1)
(A-2) (A-1)
(A-0) (K-2)



HA

MODEL		TITLE			REQ'D NUMBER				
KM-450MRB		B. REFRIGERATION CIRCUIT			K-1	K-2	A-0	A-1	A-2
INDEX NO.	DESCRIPTION	MATERIAL OR MODEL NUMBER	PART NUMBER						
1	Rear Panel	G. S	213972G01	1					
			213972G02	1	-				
			213972G03		1	1	1	1	
2	Frame	G. S	324124G01	1	-				
			325945G01		1	1	1	1	
3	Compressor	JSL5-0075-CAA	437356-01	1	1	1	1	1	
4	Coupling	-	434136G01	1	1	1	1	1	
5	Coupling	-	433751G01	1	1	1	1	1	
6	Tube Holder	G. S	434104-01	✕					
	Tube Holder (L)		438245-01	①	1	1	1	1	
7	Bracket - Tube	G. S	425507-01	✕					
	Tube Holder (S)		438246-01	①	1	1	1	1	
8	Receiver Tank	RR KN WP450	437596-01	1	1	1	1	1	
9	Drier	-	427061-02	1	1	1	1	1	
10	Exp. Valve	HFE-10RHD-1	433534-01	1	1	1	1	1	
11	Evaporator	-	104167G01	1	1	1	1	1	
12	Hot Gas Valve	ADS-24HD-2	3U0082-02	1	1	✕			
13	Pressure Switch	ACB-2UB04	433441-05	1	1	1	1	1	
14	Pressure Switch Bracket	G. S	434578-01	1	1	1	1	1	
15	Access Valve	TCJ-2F15-HD	417366-01	1	1	1	1	1	
16	Copper Tube (A) - High Side	Copper	324149G01	1	1	1	1	1	
17	Copper Tube (B) - High Side	Copper	324121G01	1	1	1	1	1	
18	Copper Tube (D) - High Side	Copper	324122G01	1	1	1	1	1	
19	Heat Exchanger	Copper	213944G01	1	-				
			215447G01		1	1	1	1	
20	Copper Tube (A) - Low Side	Copper	324120G01	1	1	1	1	1	
21	Exp. Valve Cover (A)	PE Foam	321425-01	1	1	1	1	1	
22	Exp. Valve Cover (B)	PE Foam	321425-02	1	1	1	1	1	
23	Thermistor	-	429006-03	1	1	1	1	1	
24	Holder - Thermistor	Copper	427430-01	1	1	1	1	1	
25	Insulation - Thermistor	PE Foam	427441-01	1	-				
26	Strap - Thermistor	S. S	4A0035-01	1	1	1	1	1	
27	Crankcase Heater	018-0039-00	437359-01	1	1	1	1	1	
28	Copper Tube - Access Valve	Copper	438007-01	1	1	1	1	1	

E

HA

MODEL		TITLE							
KM-450MRB		B. REFRIGERATION CIRCUIT							
INDEX NO.	DESCRIPTION	MATERIAL OR MODEL NUMBER	PART NUMBER	REQ'D NUMBER					
				B-1					
1	Rear Panel	G. S	213972G03	1					
2	Frame	G. S	325945G01	1					
3	Compressor	JSL5-0075-CAA	437356-01	1					
4	Coupling	-	434136G01	1					
5	Coupling	-	433751G01	1					
6	Tube Holder (L)		438245-01	1					
7	Tube Holder (S)		438246-01	1					
8	Receiver Tank	RR KN WP450	437596-01	1					
9	Drier	-	427061-02	1					
10	Exp. Valve	HFE-10RHD-1	433534-01	1					
11	Evaporator	-	104167G01	1					
12	-	-	-	-					
13	Pressure Switch	ACB-2UB04	433441-05	1					
14	Pressure Switch Bracket	G. S	434578-01	1					
15	Access Valve	TCJ-2F15-HD	417366-01	1					
16	Copper Tube (A) - High Side	Copper	324149G01	1					
17	Copper Tube (B) - High Side	Copper	324121G01	1					
18	Copper Tube (D) - High Side	Copper	324122G01	1					
19	Heat Exchanger	Copper	215447G01	1					
20	Copper Tube (A) - Low Side	Copper	324120G01	1					
21	Exp. Valve Cover (A)	PE Foam	321425-01	1					
22	Exp. Valve Cover (B)	PE Foam	321425-02	1					
23	Thermistor	-	429006-03	1					
24	Holder - Thermistor	Copper	427430-01	1					
25	-	-	-	-					
26	Strap - Thermistor	S. S	4A0035-01	1					
27	Crankcase Heater	018-0039-00	437359-01	1					
28	Copper Tube - Access Valve	Copper	438007-01	1					

E

HA

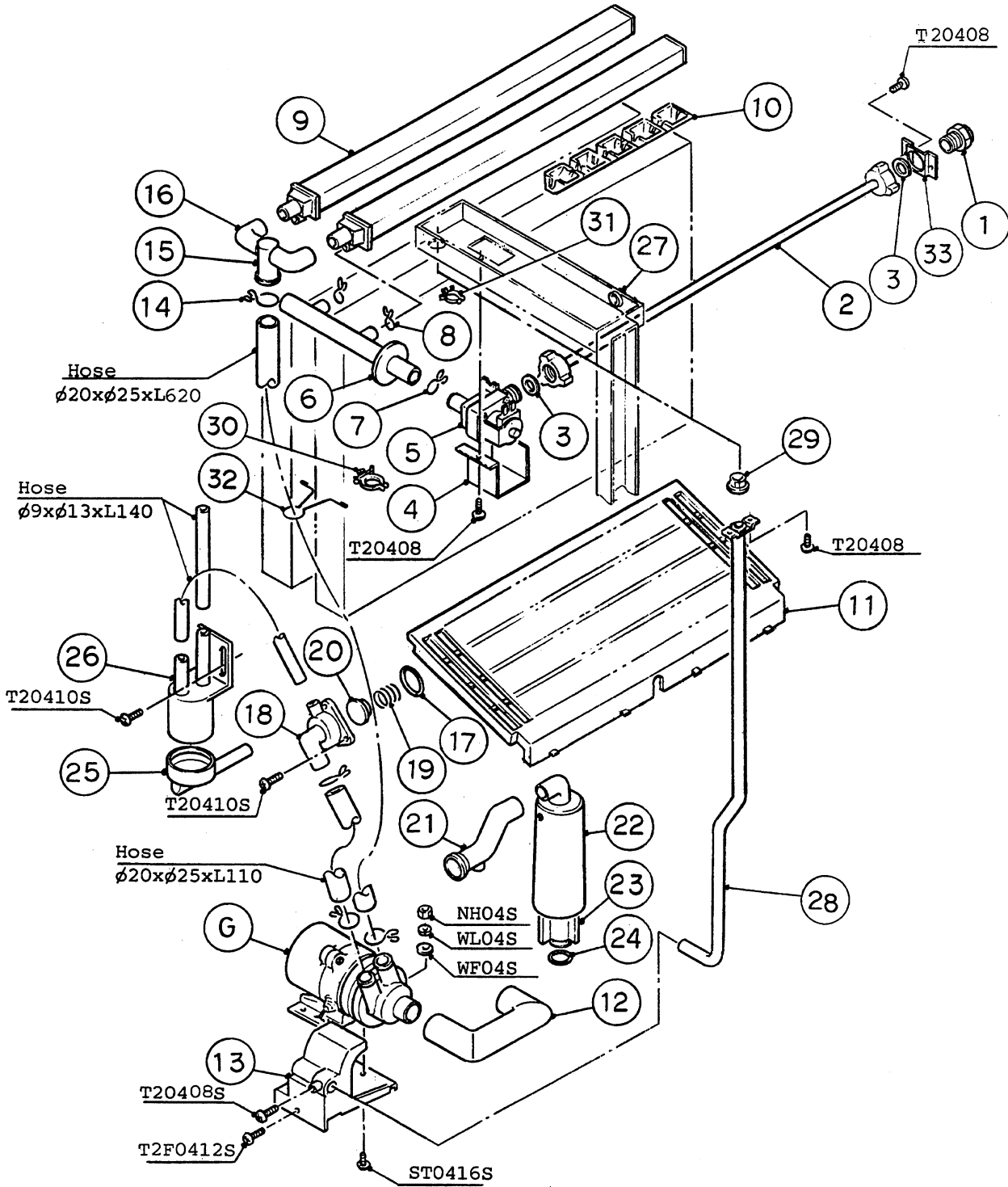
MODEL		TITLE						
KM-450MRB		B. REFRIGERATION CIRCUIT						
INDEX NO.	DESCRIPTION	MATERIAL OR MODEL NUMBER	PART NUMBER	REQ'D NUMBER				
				K-1	K-2	A-0	A-1	A-2
29	Copper Tube (E) - High Side	Copper	436894-01	1	1	1	1	1
30	Strainer	-	430365-01	1	1	1	1	1
31	Copper Tube (F) - High Side	Copper	436892-01	1	1	1	1	1
32	Bolt	-	437889-01	4	4	4	4	4
33	-	-	-	-	-	-	-	-
34	Spacer	-	434404-01	4	4	4	4	4
35	Grommet	527-0039-04	434403-01	4	4	4	4	4
36	Rubber Tube (A)	EPDM	321424-01	1	1	1	1	1
37	Insulation	PE Foam	433695-01	1	1	1	1	1
38	Clamp	D11-S	435254-04	2	2	2	2	2
39	Copper Tube (G) - High Side	Copper	436895-01	1	1	1	1	1
40	Motor Protector	-	437357-01	1	1	1	1	1
41	Protector Holder	-	437379-01	1	1	1	1	1
42	Fan Motor Bracket	G. S	322625-01	1	1	1	1	1
43	Fan Motor	5KSM51ECG3774	434958-01	1	1	1	✕	
		SP-B8HBER16	440917-01				①	1
44	Screw	-	436863-01	3	3	3	3	3
45	Fan Blade	-	434959-01	1	1	1	1	1
46	Fan Cover	G. S	324119G01	1	1	1	1	1
47	Valve Bracket	G. S	436893-01	1	1	1	1	1
48	Hot Gas Valve	ABS-25-1-HD-2	3U0033-01	1	1	✕		
49	Barrier	G. S	322086-01	1	1	1	1	1
50	Clamp	No. 4253	427902-05	1	1	1	1	1
51	Nut	-	435982-01	1	1	1	1	1
52	Washer	-	435983-01	1	1	1	1	1
53	Insulation - Thermistor (A)	PE Foam	439368-01	1	1	1	1	1
54	Insulation - Thermistor (B)	PE Foam	439368-02	1	1	1	1	1
55	Elbow	-	417395-03	1	1	1	1	1
56	Valve Body	24	440351-01			①	1	1
57	Coil Valve	ADS-24HD-2	440355-01			①	1	1
58	Bolt	-	440355F01			①	1	1
59	Valve Body	-	440352-01			①	1	1
60	Coil Valve	ADS-25-1-HD-2	440353-01			①	1	1
61	Bolt	-	440353F01			①	1	1

E

HA

MODEL		TITLE					
KM-450MRB		B. REFRIGERATION CIRCUIT					
INDEX NO.	DESCRIPTION	MATERIAL OR MODEL NUMBER	PART NUMBER	REQ'D NUMBER			
				B-1			
29	Copper Tube (E) - High Side	Copper	436894-01	1			
30	Strainer	-	430365-01	1			
31	Copper Tube (F) - High Side	Copper	436892-01	1			
32	Bolt	-	437889-01	4			
33	-	-	-	-			
34	Spacer	-	434404-01	4			
35	Grommet	527-0039-04	434403-01	4			
36	Rubber Tube (A)	EPDM	321424-01	1			
37	Insulation	PE Foam	433695-01	1			
38	Clamp	D11-S	435254-04	2			
39	Copper Tube (G) - High Side	Copper	436895-01	1			
40	Motor Protector	-	437357-01	1			
41	Protector Holder	-	437379-01	1			
42	Fan Motor Bracket	G. S	322625-01	1			
43	Fan Motor	SP-B8HBER16	440917-01	1			
44	Screw	-	436863-01	3			
45	Fan Blade	-	434959-01	1			
46	Fan Cover	G. S	324119G01	1			
47	Valva Bracket	G. S	436893-01	1			
48	-	-	-	-			
49	Barrier	G. S	322086-01	1			
50	Clamp	No. 4253	427902-05	1			
51	Nut	-	435982-01	1			
52	Washer	-	435983-01	1			
53	Insulation - Thermistor (A)	PE Foam	439368-01	1			
54	Insulation - Thermistor (B)	PE Foam	439368-02	1			
55	Elbow	-	417395-03	1			
56	Valve Body	24	440351-01	1			
57	Coil Valve	ADS-24HD-2	440355-01	1			
58	Bolt	-	440355F01	1			
59	Valve Body	-	440352-01	1			
60	Coil Valve	ADS-25-1-HD-2	440353-01	1			
61	Bolt	-	440353F01	1			

E



HA
KM-450 ALL

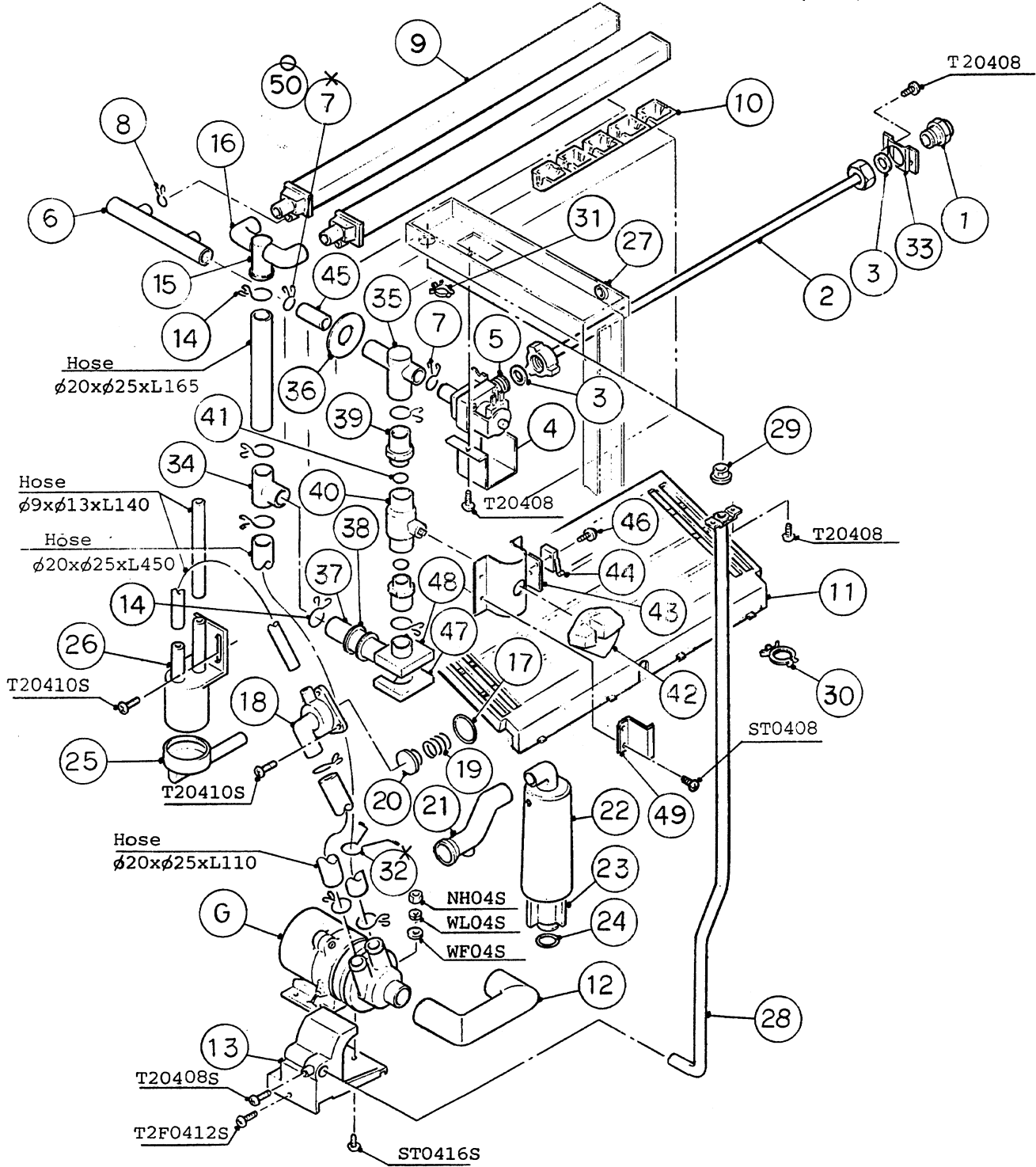
C. WATER CIRCUIT

MAB, MRB (K-2)

(B-1)

(A-2) (A-1) (A-0)

MWB (K-3)



HA

MODEL		TITLE						
KM-450MAB, MRB		C. WATER CIRCUIT						
INDEX NO.	DESCRIPTION	MATERIAL OR MODEL NUMBER	PART NUMBER	REQ'D NUMBER				
				K-1	K-2	A-0	A-1	
G	PUMP MOTOR ASSY	(S-0613)	321444A01	1	1	1	1	
1	Fitting - Inlet	Bronze	436552-01	1	1	1	1	
2	Water Supply Pipe	S. S	436670G01	1	1	1	1	
3	Rubber Gasket	NBR	413854-01	2	2	2	2	
4	Water Valve Bracket	G. S	321443-01	1	1	1	1	
5	Water Valve	J248-033	3U0111-03	1	1	1	1	
6	Distributor Hose	EPDM	432819-01	1	-			
			439374-01		1	1	1	
7	Hose Clamp	S. S, 18mm	427443-05	1	2	⊗		
						①	1	
8	Hose Clamp	S. S, 13.5mm	427443-07	2	2	2	2	
9	Spray Tube	ABS	433520G01	2	2	2	2	
10	Spray Guide (A)	PE	208586-01	6	6	6	6	
11	Cube Guide	ABS	212088-01	1	1	1	1	
12	Suction Hose	EPDM	433466-01	1	1	1	1	
13	Pump Motor Bracket	ABS	211408-01	1	1	1	1	
14	Hose Clamp	S. S, 25mm	427443-03	4	9	9	9	
15	Distributor	ABS	432820-01	1	1	1	1	
16	Elbow	EPDM	433467-01	2	2	2	2	
17	"O" Ring	1AG35	7611-G035	1	1	1	1	
18	Valve Housing - Drain	ABS	321001-01	1	1	1	1	
19	Spring	S. S	322110-01	1	1	1	1	
20	Valve Sheet	EPDM	433705-01	1	1	1	1	
21	Drain Hose	EPDM	433468-01	1	1	1	1	
22	Overflow Cap	PE	321002-01	1	1	1	1	
23	Overflow Pipe	ABS	430722-03	1	1	1	1	
24	"O" Ring	1AP32	7611-P032	1	1	1	1	
25	Connector - Float Switch	EPDM	426799-01	1	1	1	1	
26	Float Switch	FS-0893B	433535-01	1	1	1	1	
27	Bushing	OCB-500	428394-02	1	1	1	1	
28	Conduit	Copper	433706G01	1	1	1	1	
29	Bushing	SB-625-8	420470-01	1	1	1	1	
30	Clamp	No. 248	427902-04	3	3	3	3	

E

HA

MODEL		TITLE						
KM-450M ALL		C. WATER CIRCUIT						
INDEX NO.	DESCRIPTION	MATERIAL OR MODEL NUMBER	PART NUMBER	REQ'D NUMBER				
				A-2	B-1			
G	PUMP MOTOR ASSY	(S-0613)	321444A01	1	1			
1	Fitting - Inlet	Bronze	436552-01	1	1			
2	Water Supply Pipe	S. S	436670G01	1	1			
3	Rubber Gasket	NBR	413854-01	2	2			
4	Water Valve Bracket	G. S	321443-01	1	1			
5	Water Valve	J248-033	3U0111-03	1	1			
6	Distributor Hose	EPDM	439374-01	1	1			
7	Hose Clamp	S. S, 18mm	427443-05	1	1			
8	Hose Clamp	S. S, 13.5mm	427443-07	2	2			
9	Spray Tube	ABS	433520G01	2	2			
10	Spray Guide (A)	PE	208586-01	6	6			
11	Cube Guide	ABS	212088-01	1	1			
12	Suction Hose	EPDM	433466-01	1	1			
13	Pump Motor Bracket	ABS	211408-01	1	1			
14	Hose Clamp	S. S, 25mm	427443-03	9	9			
15	Distributor	ABS	432820-01	1	1			
16	Elbow	EPDM	433467-01	1	1			
17	"O" Ring	1AG35	7611-G035	1	1			
18	Valve Housing - Drain	ABS	321001-01	1	1			
19	Spring	S. S	322110-01	1	1			
20	Valve Sheet	EPDM	433705-01	1	1			
21	Drain Hose	EPDM	433468-01	1	1			
22	Overflow Cap	PE	321002-01	1	1			
23	Overflow Pipe	ABS	430722-03	1	1			
24	"O" Ring	1AP32	7611-P032	1	1			
25	Connector - Float Switch	EPDM	426799-01	1	1			
26	Float Switch	FS-0893B	433535-01	1	1			
27	Bushing	OCB-500	428394-02	1	1			
28	Conduit	Copper	433706G01	1	1			
29	Bushing	SB-625-8	420470-01	1	1			
30	Clamp	No. 248	427902-04	3	3			

E

HA

MODEL		TITLE						
KM-450MAB, MRB		C. WATER CIRCUIT						
INDEX NO.	DESCRIPTION	MATERIAL OR MODEL NUMBER	PART NUMBER	REQ'D NUMBER				
				K-1	K-2	A-0	A-1	
31	Clamp	No. 826	427902-01	1	1	1	1	
32	Hose Holder	S. S	436340-01	1	1	-		
33	Fitting Holder - Inlet	G. S	436550-01	1	1	1	1	
34	Distributor	ABS	432426-01		1	1	1	
35	Tee	EPDM	439197-01		1	1	1	
36	Flange	EPDM	439267-01		1	1	1	
37	Hose (B)	EPDM	436599-02		1	1	1	
38	Rubber Ring	TSE2571-5U	439236-01		1	1	1	
39	Male Adaptor	ABS	325826-01		2	2	⊗	
		(442137A01)	325286-01				②	
40	Ball Valve	PVC	439293-01		1	1	⊗	
		(442137A01)	439293-01				①	
41	"O" Ring	1AP20	7611-P020		2	2	⊗	
		1AP18, (442137A01)	7611-P018				②	
42	Handle	JH1352	215383-01		1	1	1	
43	Valve Holder	G. S	325825-01		1	1	1	
44	Micro Switch	AH-1352	436386-01		1	1	1	
45	Joint Pipe	ABS	439329-01		1	1	1	
46	Tapping Screw	SWCH 16A	431415-02		2	2	2	
47	Corner Insulation (A)	PE	439376-01		1	1	1	
48	Corner Insulation (B)	PE	439392-01		1	1	1	
49	Handle Bracket	G. S	439929-01		①	1	1	
50	Hose Clamp	20mm	427443-06			①	1	

E

HA

MODEL		TITLE						
KM-450M ALL		C. WATER CIRCUIT						
INDEX NO.	DESCRIPTION	MATERIAL OR MODEL NUMBER	PART NUMBER	REQ'D NUMBER				
				A-2	B-1			
31	Clamp	No. 826	427902-01	1	1			
32	-	-	-	-				
33	Fitting Holder - Inlet	G. S	436550-01	1	1			
34	Distributor	ABS	432426-01	1	1			
35	Tee	EPDM	439197-01	1	1			
36	Flange	EPDM	439267-01	1	1			
37	Hose (B)	EPDM	436599-02	1	1			
38	Rubber Ring	TSE2571-5U	439236-01	1	1			
39	Male Adaptor	(442137A01)	325286-01	2	2			
40	Ball Valve	(442137A01)	439293-01	1	1			
41	"O" Ring	1AP18, (442137A01)	7611-P018	2	2			
42	Handle	JH1352	215383-01	1	1			
43	Valve Holder	G. S	325825-01	1	1			
44	Micro Switch	AH-1352	436386-01	1	1			
45	Joint Pipe	ABS	439329-01	1	1			
46	Tapping Screw	SWCH 16A	431415-02	2	2			
47	Corner Insulation (A)	PE	439376-01	1	1			
48	Corner Insulation (B)	PE	439392-01	1	1			
49	Handle Bracket	G. S	439929-01	1	1			
50	Hose Clamp	20mm	427443-06	1	1			

E

HA

MODEL		TITLE						
KM-450MWB		C. WATER CIRCUIT						
INDEX NO.	DESCRIPTION	MATERIAL OR MODEL NUMBER	PART NUMBER	REQ'D NUMBER				
				K-1	K-2	K-3	A-0	A-1
G	PUMP MOTOR ASSY	(S-0613)	321444A01	1	1	1	1	1
1	Fitting - Inlet	Bronze	436552-01	1	1	1	1	1
2	Water Supply Pipe	S. S	436670G01	1	1	1	1	1
3	Rubber Gasket	NBR	413854-01	2	2	2	2	2
4	Water Valve Bracket	G. S	321443-01	1	1	1	1	1
5	Water Valve	J248-033	3U0111-03	1	1	1	1	1
6	Distributor Hose	EPDM	432819-01	1	1	-		
			439374-01			1	1	1
7	Hose Clamp	S. S, 18mm	427443-05	1	1	2	1	1
							①	
8	Hose Clamp	S. S, 13.5mm	427443-07	2	2	2	2	2
9	Spray Tube	ABS	433520G01	2	2	2	2	2
10	Spray Guide (A)	PE	208586-01	6	6	6	6	6
11	Cube Guide	ABS	212088-01	1	1	1	1	1
12	Suction Hose	EPDM	433466-01	1	1	1	1	1
13	Pump Motor Bracket	ABS	211408-01	1	1	1	1	1
14	Hose Clamp	S. S, 25mm	427443-03	4	4	9	9	9
15	Distributor	ABS	432820-01	1	1	1	1	1
16	Elbow	EPDM	433467-01	2	2	2	2	2
17	"O" Ring	1AG35	7611-G035	1	1	1	1	1
18	Valve Housing - Drain	ABS	321001-01	1	1	1	1	1
19	Spring	S. S	322110-01	1	1	1	1	1
20	Valve Sheet	EPDM	433705-01	1	1	1	1	1
21	Drain Hose	EPDM	433468-01	1	1	1	1	1
22	Overflow Cap	PE	321002-01	1	1	1	1	1
23	Overflow Pipe	ABS	430722-03	1	1	1	1	1
24	"O" Ring	1AP32	7611-P032	1	1	1	1	1
25	Connector - Float Switch	EPDM	426799-01	1	1	1	1	1
26	Float Switch	FS-0893B	433535-01	1	1	1	1	1
27	Bushing	OCB-500	428394-02	1	1	1	1	1
28	Conduit	Copper	433706G01	1	1	1	1	1
29	Bushing	SB-625-8	420470-01	1	1	1	1	1
30	Clamp	No. 248	427902-04	3	3	3	3	3

E

HA

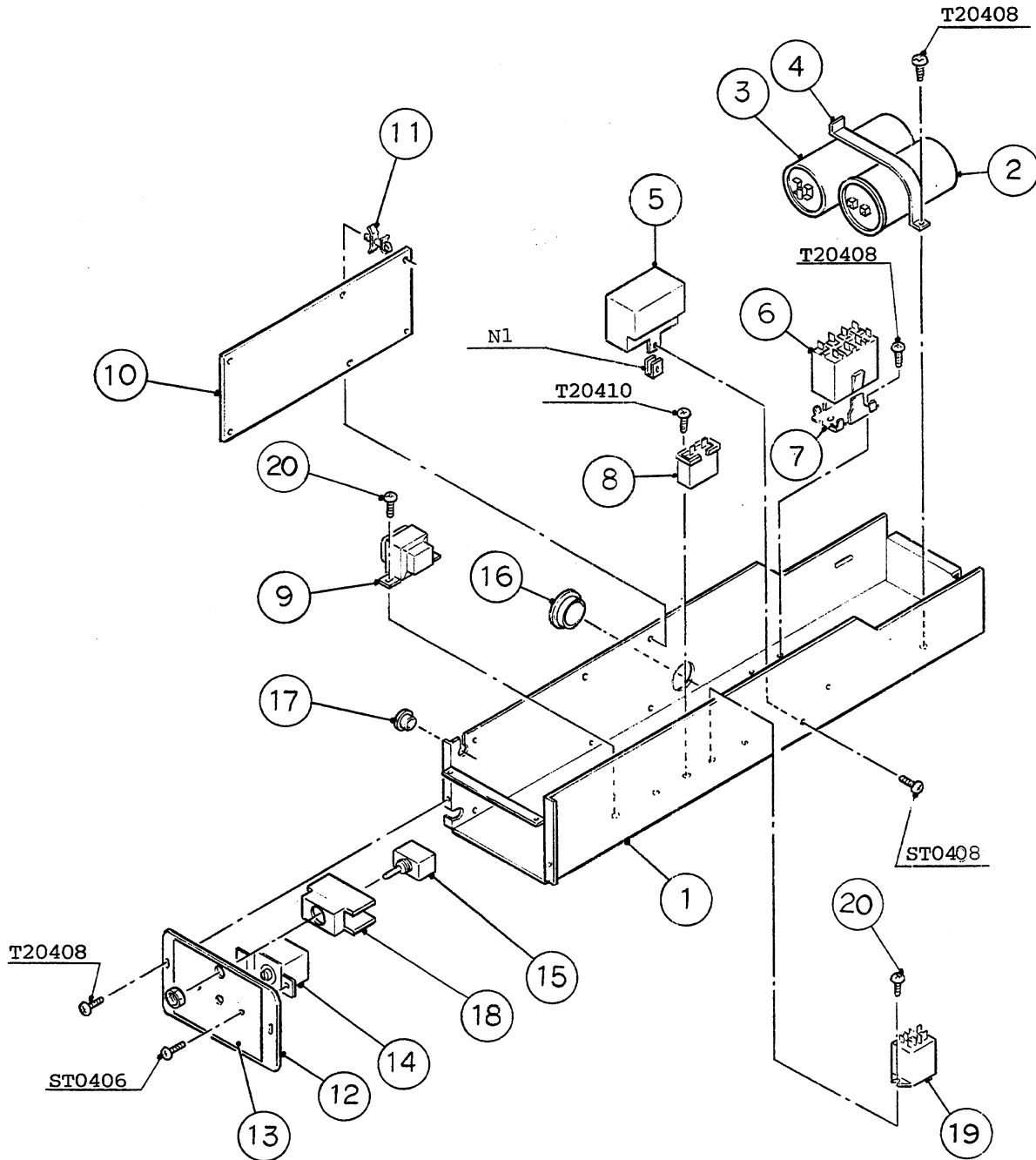
MODEL		TITLE			REQ'D NUMBER				
KM-450MWB		C. WATER CIRCUIT							
INDEX NO.	DESCRIPTION	MATERIAL OR MODEL NUMBER	PART NUMBER	REQ'D NUMBER					
				K-1	K-2	K-3	A-0	A-1	
31	Clamp	No. 826	427902-01	1	1	1	1	1	
32	Hose Holder	S. S	436340-01	1	1	1	-		
33	Fitting Holder - Inlet	G. S	436550-01	1	1	1	1	1	
34	Distributor	ABS	432426-01			1	1	1	
35	Tee	EPDM	439197-01			1	1	1	
36	Flange	EPDM	439267-01			1	1	1	
37	Hose (B)	EPDM	436599-02			1	1	1	
38	Rubber Ring	TSE2571-5U	439236-01			1	1	1	
39	Male Adaptor	ABS	325826-01			2	2	✗	
		(442137A01)	325826-01					②	
40	Ball Valve	PVC	439293-01			1	1	✗	
		(442137A01)	439293-01					①	
41	"O" Ring	1AP20	7611-P020			2	2	✗	
		1AP18, (442137A01)	7611-P018					②	
42	Handle	JH1352	215383-01			1	1	1	
43	Valve Holder	G. S	325825-01			1	1	1	
44	Micro Switch	AH-1352	436386-01			1	1	1	
45	Joint Pipe	ABS	439329-01			1	1	1	
46	Tapping Screw	SWCH 16A	431415-02			2	2	2	
47	Corner Insulation (A)	PE	439376-01			1	1	1	
48	Corner Insulation (B)	PE	439392-01			1	1	1	
49	Handle Bracket	G. S	439929-01			①	1	1	
50	Hose Clamp	20mm	427443-06				①	1	

E

HA
KM-450 ALL

D. CONT. BOX ASSY

(B-1)(A-2)(A-1)
(A-0)(K-2)(K-1)
MWB(K-3)



FASTENER

N1 - SPEED NUT, M4

HA

MODEL		TITLE						
KM-450MAB,MRB		D. CONT. BOX ASSY						
INDEX NO.	DESCRIPTION	MATERIAL OR MODEL NUMBER	PART NUMBER	REQ'D NUMBER				
				K-1	K-2	A-0	A-1	
1	Cont. Box	G. S	212382G01	1	1	1	1	
2	Run Capacitor	014-0037-09	434170-01	1	1	1	1	
3	Start Capacitor	014-0008-61	434171-04	1	1	1	1	
4	Strap	G. S	434580-03	1	1	1	1	
5	Starter	040-0001-38	434172-01	1	1	1	1	
6	Magnetic Contactor	VC20	428393-01	1	1	1	1	
7	Bracket	-	428393F01	1	1	1	1	
8	Capacitor	230V, 5.5 μ F	428641-02	1	1	1	1	
9	Transformer	H2HA016H01	3U0113-01	1	1	X		
		H2HA016H01A	3U0139-01			①	1	
10	Controller Board	H2AA087C02	2U0103-02	1	1	X		
		H2AA087C03	2U0134-01			①	1	
11	Board Support	KGLS-6S	414929-01	6	6	6	6	
12	Switch Bracket	G. S	433717-01	1	1	1	1	
13	Control Label	PES Film	433194-01	1	1	1	1	
14	Thermostat	YTB-3U105	433536-01	1	1	1	1	
15	Toggle Switch	ST210P	428638-01	1	1	1	1	
16	Bushing	SB-1093-15	420470-03	1	1	1	1	
17	Bushing	OCB-500	428394-02	1	1	1	1	
18	Switch Cover	ABS	436333-01	1	1	1	1	
19	Relay	LY1F-HSD	418271-05	1	1	1	1	
20	Tapping Screw	3x8	431415-01	4	4	4	4	

E

HA

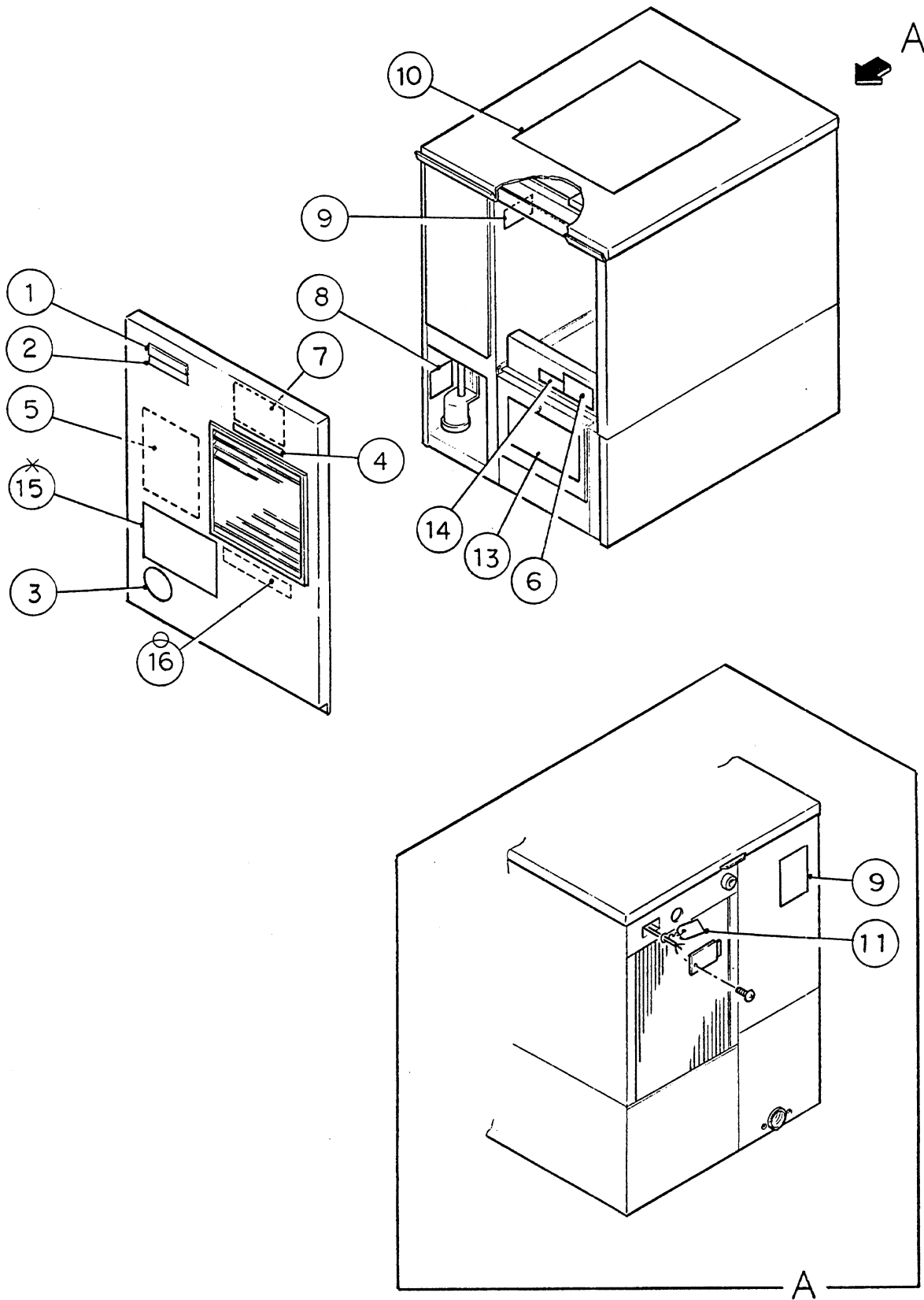
MODEL		TITLE						
KM-450M ALL		D. CONT. BOX ASSY						
INDEX NO.	DESCRIPTION	MATERIAL OR MODEL NUMBER	PART NUMBER	REQ'D NUMBER				
				A-2	B-1			
1	Cont. Box	G. S	212382G01	-				
			212382G03	1	1			
2	Run Capacitor Capacitor	014-0037-09 RS37B0025UNHG02	434170-01	1	-			
			439943-02		1			
3	Start Capacitor Capacitor - Starting	014-0008-61 3535B5A0088A250C3	434171-04	1	-			
			3A0076-03		1			
4	Strap	G. S	434580-03	1	-			
			434580-07		1			
5	Starter	040-0001-38	434172-01	1	1			
6	Magnetic Contactor	VC20	428393-01	1	1			
7	Bracket	-	428393F01	1	1			
8	Capacitor	230V, 5.5 μ F	428641-02	1	1			
9	Transformer	H2HA016H01A BW48-005	3U0139-01	-				
			3U0135-01	1	1			
10	Controller Board	H2AA087C03 MY9KM910	2U0134-01	-				
			2U0127-01	1	1			
11	Board Support	KGLS-6S	414929-01	6	6			
12	Switch Bracket	G. S	433717-01	1	1			
13	Control Label	PES Film	433194-01	1	1			
14	Thermostat	YTB-3U105	433536-01	1	1			
15	Toggle Switch	ST210P	428638-01	1	1			
16	Bushing	SB-1093-15	420470-03	1	1			
17	Bushing	OCB-500	428394-02	1	1			
18	Switch Cover	ABS	436333-01	1	1			
19	Relay	LY1F-HSD	418271-05	-				
20	Tapping Screw	3x8	431415-01	-				

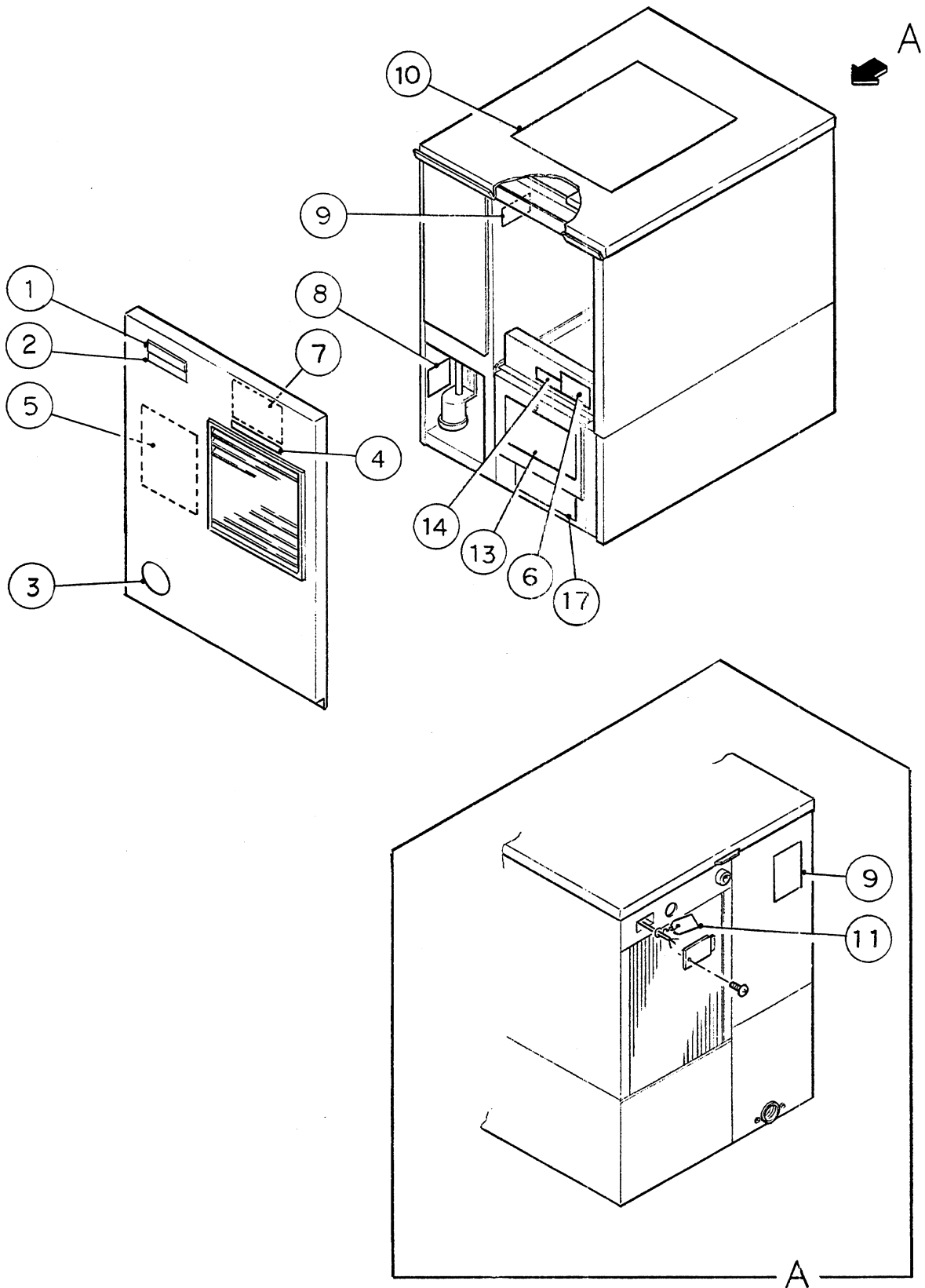
E

HA

MODEL		TITLE						
KM-450MWB		D. CONT. BOX ASSY						
INDEX NO.	DESCRIPTION	MATERIAL OR MODEL NUMBER	PART NUMBER	REQ'D NUMBER				
				K-1	K-2	K-3	A-0	A-1
1	Cont. Box	G. S	212382G01	1	1	1	1	1
2	Run Capacitor	014-0037-09	434170-01	1	1	1	1	1
3	Start Capacitor	014-0008-61	434171-04	1	1	1	1	1
4	Strap	G. S	434580-03	1	1	1	1	1
5	Starter	040-0001-38	434172-01	1	1	1	1	1
6	Magnetic Contactor	VC20	428393-01	1	1	1	1	1
7	Bracket	-	428393F01	1	1	1	1	1
8	Capacitor	230V, 5.5 μ F	428641-02	1	1	1	1	1
9	Transformer	H2HA016H01	3U0113-01	1	1	1	✕	
		H2HA016H01A	3U0139-01				①	1
		H2AA087C02	2U0103-02	1	1	1	✕	
10	Controller Board	H2AA087C03	2U0134-01				①	1
		KGLS-6S	414929-01	6	6	6	6	6
11	Board Support	G. S	433717-01	1	1	1	1	1
12	Switch Bracket	PES Film	433194-01	1	1	1	1	1
13	Control Label	YTB-3U105	433536-01	1	1	1	1	1
14	Thermostat	ST210P	428638-01	1	1	1	1	1
15	Toggle Switch	SB-1093-15	420470-03	1	1	1	1	1
16	Bushing	OCB-500	428394-02	1	1	1	1	1
17	Bushing	ABS	436333-01	1	1	1	1	1
18	Switch Cover	LY1F-HSD	418271-05	1	1	1	1	1
19	Relay	3x8	431415-01	4	4	4	4	4
20	Tapping Screw							

E





HA

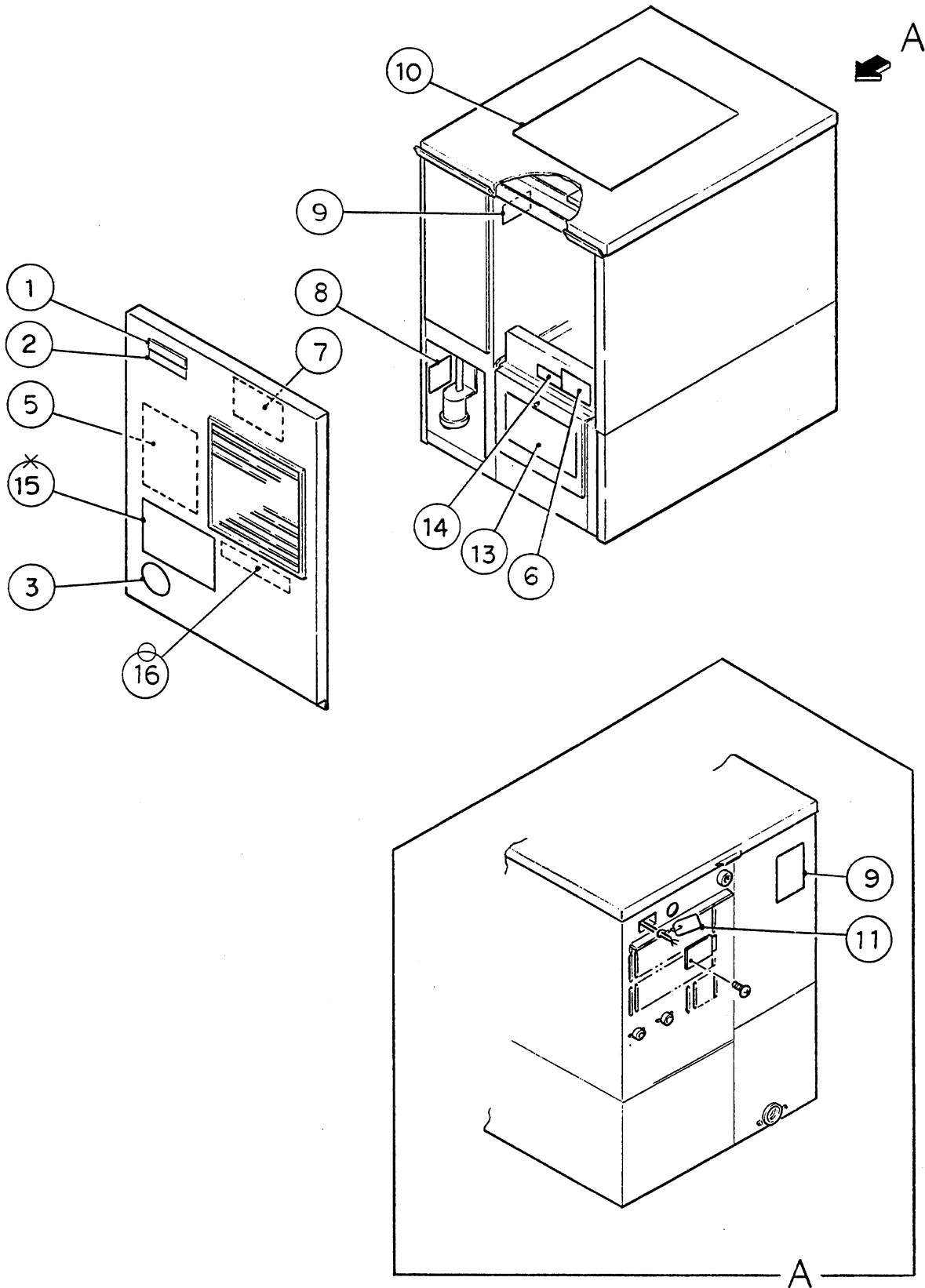
MODEL		TITLE						
KM-450MAB		E. LABEL LOCATION						
INDEX NO.	DESCRIPTION	MATERIAL OR MODEL NUMBER	PART NUMBER	REQ'D NUMBER				
				K-1	K-2	A-0	A-1	A-2
1	Emblem (L) - HOSHIZAKI	ABS	418634G01	1	1	1	1	1
2	Model Number Label	PETP Film	436041-01	1	1	1	1	1
3	Label - Penguin (R)	PETP Film	410994-01	1	1	1	1	1
4	Label - Air Filter	PETP Film	426177-01	1	1	1	1	1
5	Maintenance Label	PVC Film	321289-01	1	-			
			326218-01		1	1	1	1
6	Warning Label	PVC Film	431092-01	1	1	1	1	1
7	Wiring Label	PVC Film	324842-01	1	-			
			325459-01		1	1	✕	
			327182-01				①	-
			326105-01					1
8	Manual Label - Float Switch	PVC Film	427043-01	1	1	1	1	1
9	Nameplate	PES Film	437752-01	2	2	2	-	
			440281-01				2	2
10	Instruction Sheet	Paper	212621-01	1	1	1	1	1
11	Tag - Warning: Electrical Connection	Paper	435005-01	1	1	1	1	1
12	-	-	-	-				
13	Manual Label	PVC Film	322334-01	1	1	1	1	1
14	Label - R502	PES Film	4A0026-01	1	1	1	1	1
15	Installation Label	Paper	3A0032-01	✕				
16	Maintenance Label (B)	PVC Film	4A0071-01	①	-			
17	Operation Label - Valve	PVC Film	439541-01		1	1	1	1

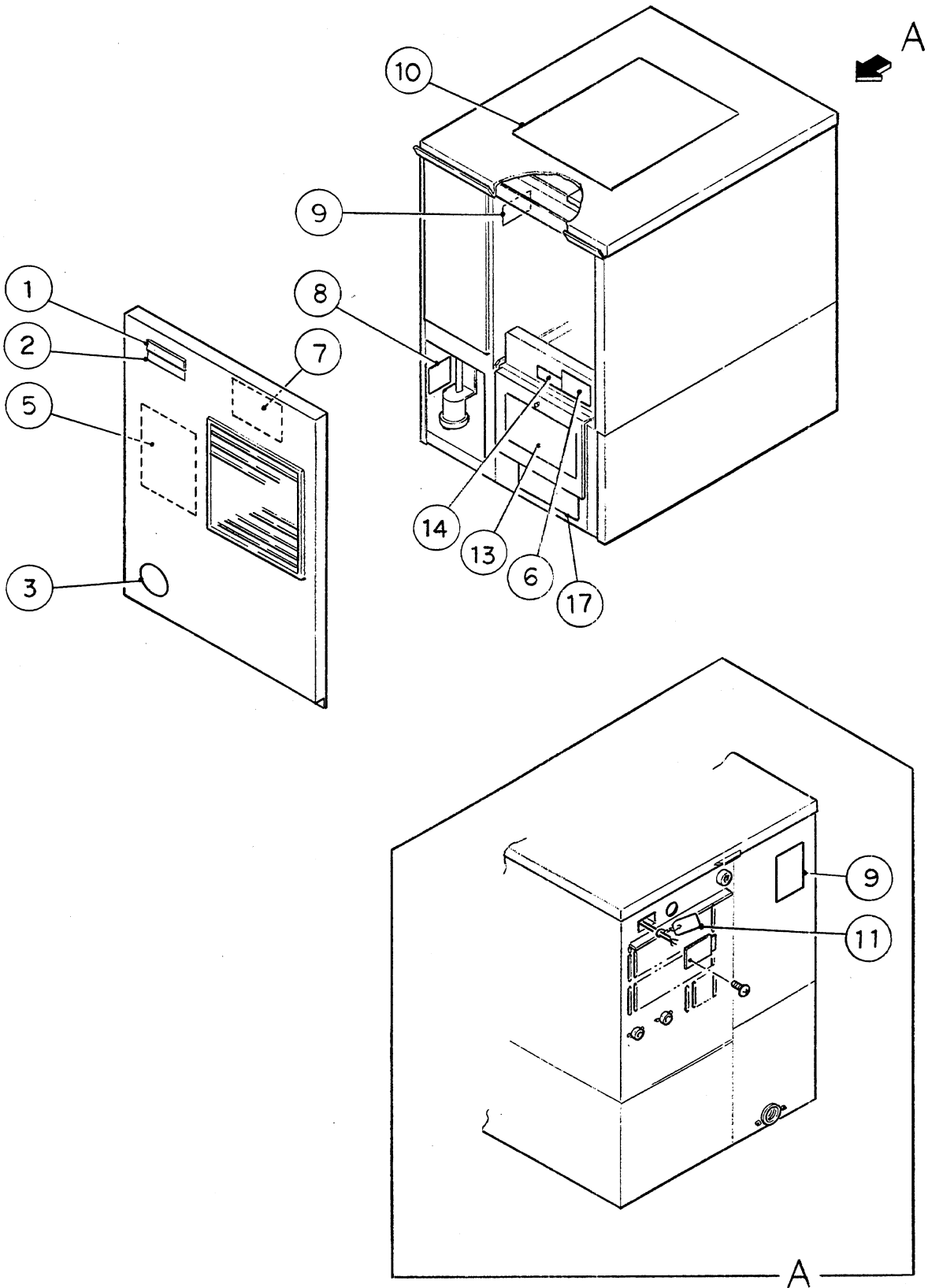
E

HA

MODEL		TITLE					
KM-450MAB		E. LABEL LOCATION					
INDEX NO.	DESCRIPTION	MATERIAL OR MODEL NUMBER	PART NUMBER	REQ'D NUMBER			
				B-1			
1	Emblem (L) - HOSHIZAKI	ABS	418634G01	1			
2	Model Number Label	PETP Film	436041-01	1			
3	Label - Penguin (R)	PETP Film	410994-01	1			
4	Label - Air Filter	PETP Film	426177-01	1			
5	Maintenance Label	PVC Film	326218-01	1			
6	Warning Label	PVC Film	431092-01	1			
7	Wiring Label	PVC Film	326105-01	1			
8	Manual Label - Float Switch	PVC Film	427043-01	1			
9	Nameplate	PES Film	440281-01	2			
10	Instruction Sheet	Paper	212621-01	1			
11	Tag - Warning: Electrical Connection	Paper	435005-01	1			
12	-	-	-	-			
13	Manual Label	PVC Film	322334-01	1			
14	Label - R502	PES Film	4A0026-01	1			
15	-	-	-	-			
16	-	-	-	-			
17	Operation Label - Valve	PVC Film	439541-01	1			

E





HA

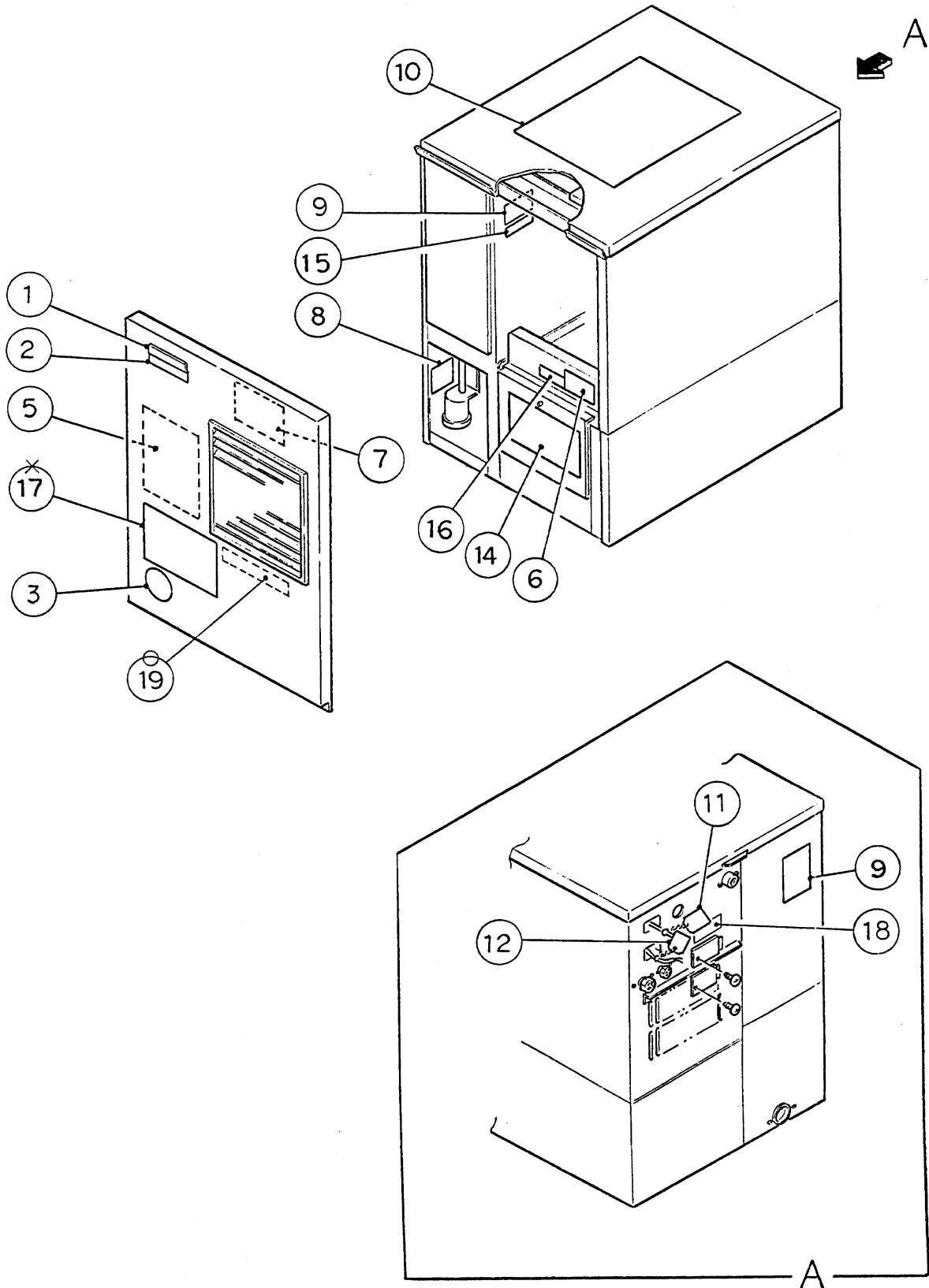
MODEL		TITLE						
KM-450MWB		E. LABEL LOCATION						
INDEX NO.	DESCRIPTION	MATERIAL OR MODEL NUMBER	PART NUMBER	REQ'D NUMBER				
				K-1	K-2	K-3	A-0	A-1
1	Emblem (L) - HOSHIZAKI	ABS	418634G01	1	1	1	1	1
2	Model Number Label	PETP Film	436041-02	1	1	1	1	1
3	Label - Penguin (R)	PETP Film	410994-01	1	1	1	1	1
4	-	-	-	-	-	-	-	-
5	Maintenance Label	PVC Film	321289-01	1	1	-	-	-
			326218-01	-	-	1	1	1
6	Warning Label	PVC Film	431092-01	1	1	1	1	1
7	Wiring Label	PVC Film	324842-01	1	1	-	-	-
			325459-01	-	-	1	✕	-
			327182-01	-	-	-	①	1
8	Manual Label - Float Switch	PVC Film	427043-01	1	1	1	1	1
9	Nameplate	PES Film	437753-01	2	2	2	2	-
			440282-01	-	-	-	-	2
10	Instruction Sheet	Paper	212621-01	1	1	1	1	1
11	Tag - Warning: Electrical Connection	Paper	435005-01	1	1	1	1	1
12	-	-	-	-	-	-	-	-
13	Manual Label	PVC Film	322334-01	1	1	1	1	1
14	Label - R502	PES Film	4A0026-01	1	1	1	1	1
15	Installation Label	Paper	3A0032-01	✕	-	-	-	-
16	Maintenance Label (B)	PVC Film	4A0071-01	①	1	-	-	-
17	Operation Label - Valve	PVC Film	439541-01	-	-	1	1	1

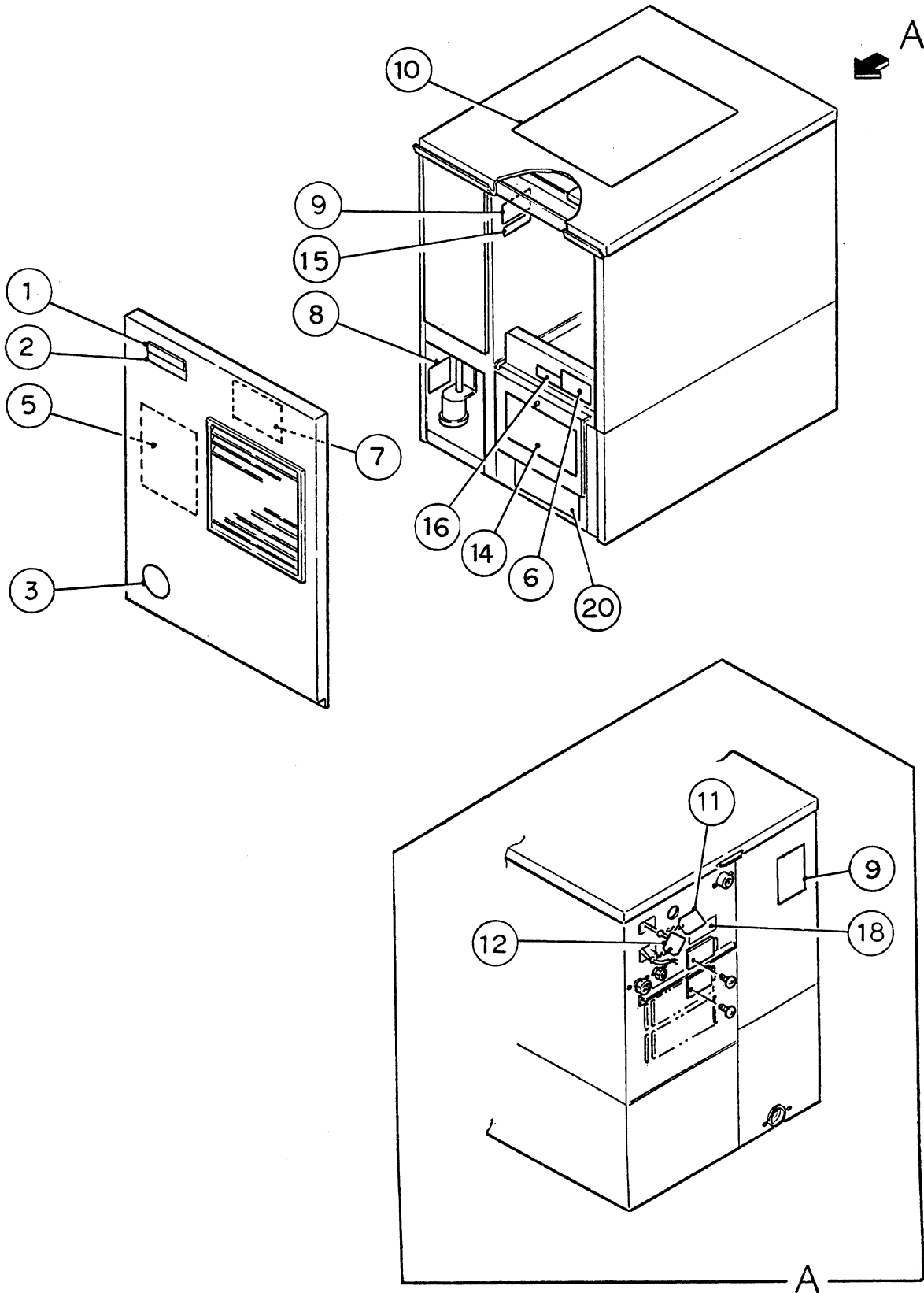
E

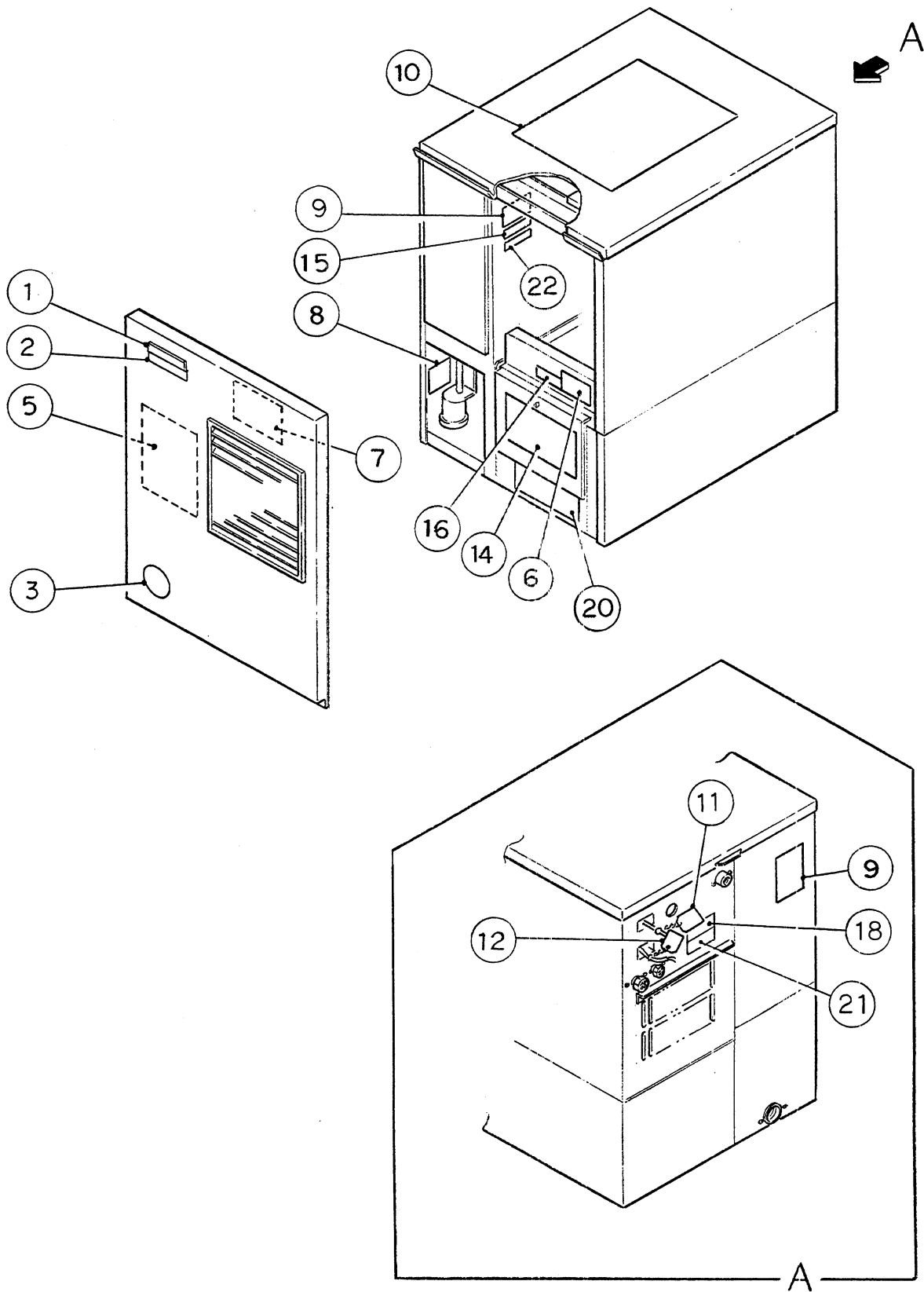
HA

MODEL		TITLE						
KM-450MWB		E. LABEL LOCATION						
INDEX NO.	DESCRIPTION	MATERIAL OR MODEL NUMBER	PART NUMBER	REQ'D NUMBER				
				A-2	B-1			
1	Emblem (L) - HOSHIZAKI	ABS	418634G01	1	1			
2	Model Number Label	PETP Film	436041-02	1	1			
3	Label - Penguin (R)	PETP Film	410994-01	1	1			
4	-	-	-	-	-			
5	Maintenance Label	PVC Film	326218-01	1	1			
6	Warning Label	PVC Film	431092-01	1	1			
7	Wiring Label	PVC Film	327182-01	-				
			326105-01	1	1			
8	Manual Label - Float Switch	PVC Film	427043-01	1	1			
9	Nameplate	PES Film	440282-01	2	2			
10	Instruction Sheet	Paper	212621-01	1	1			
11	Tag - Warning: Electrical Connection	Paper	435005-01	1	1			
12	-	-	-	-	-			
13	Manual Label	PVC Film	322334-01	1	1			
14	Label - R502	PES Film	4A0026-01	1	1			
15	-	-	-	-	-			
16	-	-	-	-	-			
17	Operation Label - Valve	PVC Film	439541-01	1	1			

E







HA

MODEL		TITLE						
KM-450MRB		E. LABEL LOCATION						
INDEX NO.	DESCRIPTION	MATERIAL OR MODEL NUMBER	PART NUMBER	REQ'D NUMBER				
				K-1	K-2	A-0	A-1	A-2
1	Emblem (L) - HOSHIZAKI	ABS	418634G01	1	1	1	1	1
2	Model Number Label	PETP Film	436041-03	1	1	1	1	1
3	Label - Penguin (R)	PETP Film	410994-01	1	1	1	1	1
4	-	-	-	-	-	-	-	-
5	Maintenance Label	PVC Film	321289-01	1	-	-	-	-
			328218-01		1	1	1	
6	Warning Label	PVC Film	431092-01	1	1	1	1	
7	Wiring Label	PVC Film	324843-01	1	-	-	-	-
			325461-01		1	1	1	-
			328091-01					1
8	Manual Label - Float Switch	PVC Film	427043-01	1	1	1	1	1
9	Nameplate	PES Film	437754-01	2	2	2	-	
			440283-01				2	2
10	Instruction Sheet	Paper	212621-01	1	1	1	1	1
11	Tag - Warning: Electrical Connection	Paper	435005-01	1	1	1	1	1
12	Tag - Fan Motor Leads	Paper	420742-01	1	1	1	1	1
13	-	-	-	-	-	-	-	-
14	Manual Label	PVC Film	322334-01	1	1	1	1	1
15	Label - Charge	PES Film	434362-01	1	1	1	1	1
16	Label - R502	PES Film	4A0026-01	1	1	1	1	1
17	Installation Label	Paper	3A0032-01	✕				
18	Label - Connection	PVC Film	438234-01	1	1	1	1	1
19	Maintenance Label (B)	PVC Film	4A0071-01	①	-	-	-	-
20	Operation Label - Valve	PVC Film	439541-01		1	1	1	1
21	Caution Label		441890-01					1
22	Label - Charge		324977-06					1

E

HA

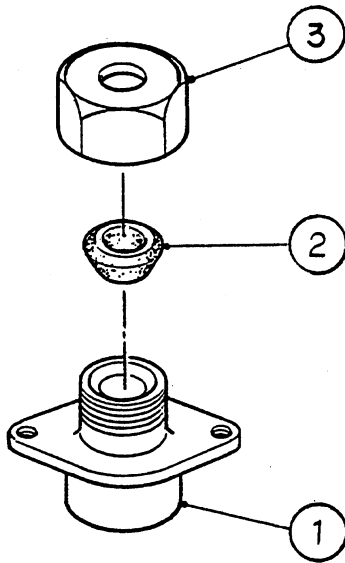
MODEL		TITLE						
KM-450MRB		E. LABEL LOCATION						
INDEX NO.	DESCRIPTION	MATERIAL OR MODEL NUMBER	PART NUMBER	REQ'D NUMBER				
				B-1				
1	Emblem (L) - HOSHIZAKI	ABS	418634G01	1				
2	Model Number Label	PETP Film	436041-03	1				
3	Label - Penguin (R)	PETP Film	410994-01	1				
4	-	-	-	-				
5	Maintenance Label	PVC Film	328218-01	1				
6	Warning Label	PVC Film	431092-01	1				
7	Wiring Label	PVC Film	328091-01	1				
8	Manual Label - Float Switch	PVC Film	427043-01	1				
9	Nameplate	PES Film	440283-01	2				
10	Instruction Sheet	Paper	212621-01	1				
11	Tag - Warning: Electrical Connection	Paper	435005-01	1				
12	Tag - Fan Motor Leads	Paper	420742-01	1				
13	-	-	-	-				
14	Manual Label	PVC Film	322334-01	1				
15	Label - Charge	PES Film	434362-01	1				
16	Label - R502	PES Film	4A0026-01	1				
17	-	-	-	-				
18	Label - Connection	PVC Film	438234-01	1				
19	-	-	-	-				
20	Operation Label - Valve	PVC Film	439541-01	1				
21	Caution Label		441890-01	1				
22	Label - Charge		324977-06	1				

E

HA
KM-450MWB

F. FITTING (P) ASSY

(B-1)
(A-2)(A-1)(A-0)
(K-3)(K-2)(K-1)



HA

MODEL		TITLE						
KM-450MWB		F. FITTING (P) ASSY						
INDEX NO.	DESCRIPTION	MATERIAL OR MODEL NUMBER	PART NUMBER	REQ'D NUMBER				
				K-1	K-2	K-3	A-0	A-1
1	Fitting (K)	Bronze	310978-01	1	1	1	1	1
2	Taper Packing (A)	Sy.R	415715-01	1	1	1	1	1
3	Nut Fitting	Brass	415713-01	1	1	1	1	1

E

HA

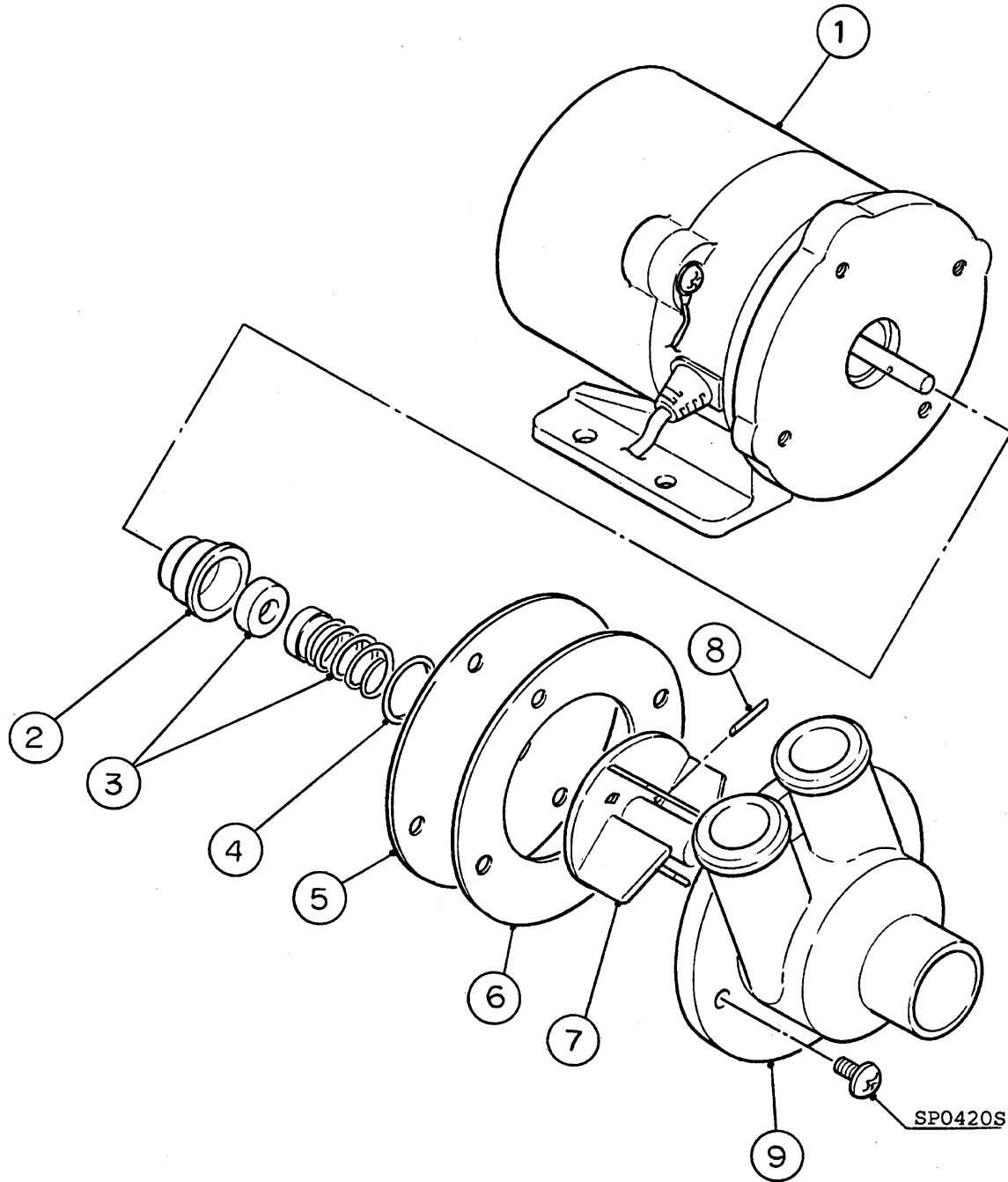
MODEL		TITLE						
KM-450MWB		F. FITTING (P) ASSY						
INDEX NO.	DESCRIPTION	MATERIAL OR MODEL NUMBER	PART NUMBER	REQ'D NUMBER				
				A-2	B-1			
1	Fitting (K)	Bronze	310978-01	1	1			
2	Taper Packing (A)	Sy. R	415715-01	1	1			
3	Nut Fitting	Brass	415713-01	1	1			

E

HA
KM-450 ALL

G. PUMP MOTOR ASSY

(B-1)(A-2)(A-1)
(A-0)(K-2)(K-1)
MWB(K-3)



HA

MODEL		TITLE						
KM-450MAB, MRB		G. PUMP MOTOR ASSY						
INDEX NO.	DESCRIPTION	MATERIAL OR MODEL NUMBER	PART NUMBER	REQ'D NUMBER				
				K-1	K-2	A-0	A-1	
1	Pump Motor	AP-TA4(H)	2U0095-01	1	1	1	1	
2	Retainer	S. S	418584-01	1	1	1	1	
3	Mechanical Seal (B)	H5-PS9, ϕ 5	415817-01	1	1	1	1	
4	"O" Ring	1AP18	7611-P018	1	1	1	1	
5	Plate - Pump	S. S	403013-01	1	1	1	1	
6	Pump Gasket	NR	403014-01	1	1	1	1	
7	Impeller	ABS	433522-01	1	1	1	1	
8	Pin	S. S	414102-01	1	1	1	1	
9	Pump Housing	ABS	211409-01	1	1	1	1	

E

HA

MODEL		TITLE						
KM-450M ALL		G. PUMP MOTOR ASSY						
INDEX NO.	DESCRIPTION	MATERIAL OR MODEL NUMBER	PART NUMBER	REQ'D NUMBER				
				A-2	B-1			
1	Pump Motor	AP-TA4(H)	2U0095-01	1	1			
2	Retainer	S. S	418584-01	1	1			
3	Mechanical Seal (B)	H5-PS9, ϕ 5	415817-01	1	1			
4	"O" Ring	1AP18	7611-P018	1	1			
5	Plate - Pump	S. S	403013-01	1	1			
6	Pump Gasket	NR	403014-01	1	1			
7	Impeller	ABS	433522-01	1	1			
8	Pin	S. S	414102-01	1	1			
9	Pump Housing	ABS	211409-01	1	1			

E

HA

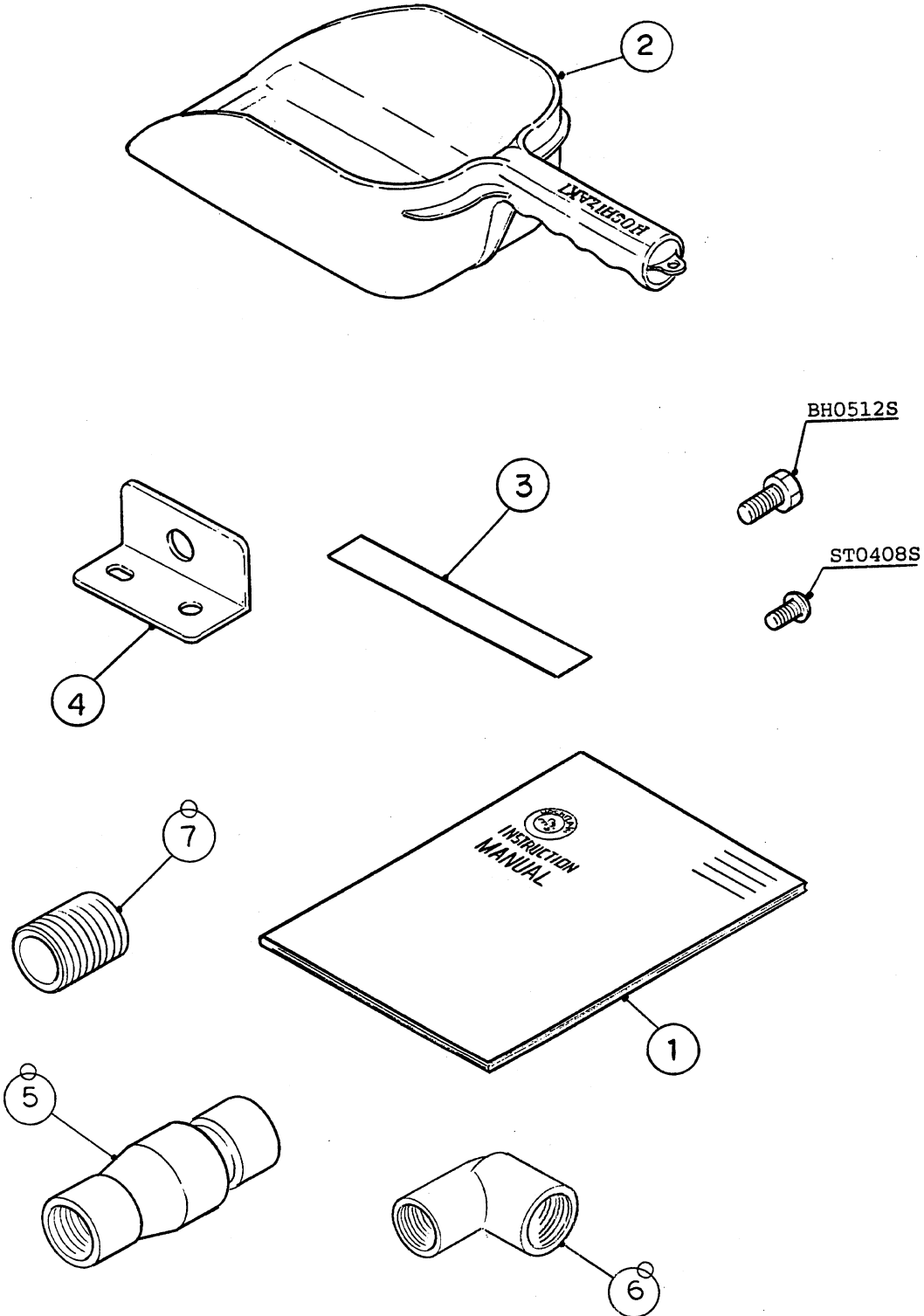
MODEL		TITLE						
KM-450MWB		G. PUMP MOTOR ASSY						
INDEX NO.	DESCRIPTION	MATERIAL OR MODEL NUMBER	PART NUMBER	REQ'D NUMBER				
				K-1	K-2	K-3	A-0	A-1
1	Pump Motor	AP-TA4(H)	2U0095-01	1	1	1	1	1
2	Retainer	S. S	418584-01	1	1	1	1	1
3	Mechanical Seal (B)	H5-PS9, ϕ 5	415817-01	1	1	1	1	1
4	"O" Ring	1AP18	7611-P018	1	1	1	1	1
5	Plate - Pump	S. S	403013-01	1	1	1	1	1
6	Pump Gasket	NR	403014-01	1	1	1	1	1
7	Impeller	ABS	433522-01	1	1	1	1	1
8	Pin	S. S	414102-01	1	1	1	1	1
9	Pump Housing	ABS	211409-01	1	1	1	1	1

E

HA
KM-450 ALL

H. ACCESSORIES

(B-1)(A-2)(A-1)
(A-0)(K-2)(K-1)
MWB(K-3)



HA

MODEL		TITLE						
KM-450MAB, MRB		H. ACCESSORIES						
INDEX NO.	DESCRIPTION	MATERIAL OR MODEL NUMBER	PART NUMBER	REQ'D NUMBER				
				K-1	K-2	A-0	A-1	
1	Instruction Manual	Paper	91U1HJ10A	1	-			
			91U1HJ10B		1	1	1	
2	Scoop	PS	437625-01	1	1	1	1	
3	Label - Fastener	Paper	427122-01	1	1	1	1	
4	Brace	G. S	433469-01	2	2	2	2	
5	Check Valve	-	439660-01		1	1	1	
6	Elbow	-	439661-01		1	1	1	
7	Nipple	-	439662-01		1	1	1	

E

HA

MODEL		TITLE						
KM-450M ALL		H. ACCESSORIES						
INDEX NO.	DESCRIPTION	MATERIAL OR MODEL NUMBER	PART NUMBER	REQ'D NUMBER				
				A-2	B-1			
1	Instruction Manual	Paper	91U1HJ10B	1	1			
2	Scoop	PS	437625-01	1	1			
3	Label - Fastener	Paper	427122-01	1	1			
4	Brace	G. S	433469-01	2	2			
5	Check Valve	-	439660-01	1	1			
6	Elbow	-	439661-01	1	1			
7	Nipple	-	439662-01	1	1			

E

HA

MODEL		TITLE						
KM-450MWB		H. ACCESSORIES						
INDEX NO.	DESCRIPTION	MATERIAL OR MODEL NUMBER	PART NUMBER	REQ'D NUMBER				
				K-1	K-2	K-3	A-0	A-1
1	Instruction Manual	Paper	91U1HJ10A	1	1	-		
			91U1HJ10B			1	1	1
2	Scoop	PS	437625-01	1	1	1	1	1
3	Label - Fastener	Paper	427122-01	1	1	1	1	1
4	Brace	G. S	433469-01	2	2	2	2	2
5	Check Valve	-	439660-01			1	1	1
6	Elbow	-	439661-01			1	1	1
7	Nipple	-	439662-01			1	1	1

E

MODULAR CRESCENT CUBER

MODEL

KM-450MAB

KM-450MWB

KM-450MRB

PARTS LIST

ISSUED: SEPT. 19, 1989

REVISED: NOV. 8, 1991

PRINTED: APRIL 1994

ITEM NO: 71051