



CE 89/336
73/23

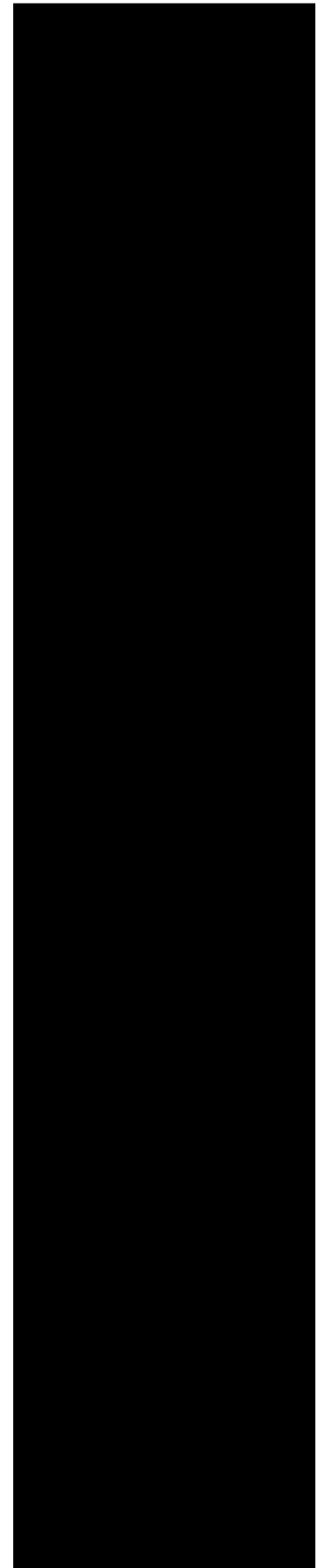
NUMBER: 71155
ISSUED: NOV. 16, 1999
REVISED: JULY 8, 2002

MODULAR CRESCENT CUBER

KM-280MAF-E
KM-280MWF-E

(FINAL) PARTS LIST

HOSHIZAKI



HA

Auxiliary Codes

KM-280MAF-E	J-0	APRIL 1999
	J-1	JULY 1999
	K-0	DEC., 1999

KM-280MWF-E	J-0	APRIL 1999
	J-1	JULY 1999
	K-0	DEC., 1999

IMPORTANT

IEC standards require that the clamping means of earthing terminals be adequately secured against accidental loosening and that accessible metal parts of the icemaker which may become live in the event of an insulation fault be permanently and reliably connected to an earthing terminal within the icemaker or to the earthing contact of the icemaker inlet.

This is accomplished in this icemaker through the use of stainless steel toothed washers, Hoshizaki Part # 7R22-0400.

MATERIAL ABBREVIATIONS

ALUMINUM

AL = Aluminum

COPPER

CU = Copper

PLASTIC

ABS = Acrylonitrile -butadiene - styrene
 AC = Polyacetal
 EVA = Ethylene vinyl acetate
 PA = Polyamide = Nylon
 PC = Polycarbonate
 PE = Polyethylene
 PES = Polyester
 PETP = Polyethylene terephthalate = Tetlon
 PP = Polypropylene
 PS = Polystyrene
 PTFE = Polytetrafluoroethylene = Teflon
 PUR = Polyurethane
 PVC = Polyvinyl chloride

RUBBER

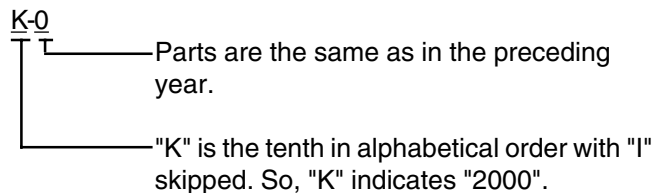
VN = Vinyl Nitrile
 EPDM = EP rubber
 NBR = Nitrile butadiene rubber
 NR = Natural rubber
 NP = Neoprene
 SI.R = Silicone rubber
 SY.R = Synthetic rubber
 EPH = Epichlorohydrin

STEEL

GS = Galvanized steel
 SS = Stainless steel
 PS = Plated steel
 PAS = Primed steel

AUXILIARY CODE

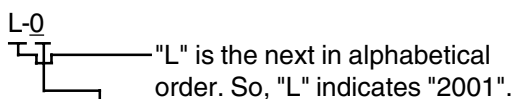
Ex.1



(Note) - = Part deleted.

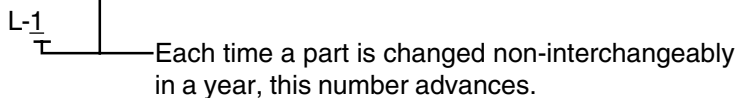
x = Part deleted and replaced by "o" (interchangeable) part.

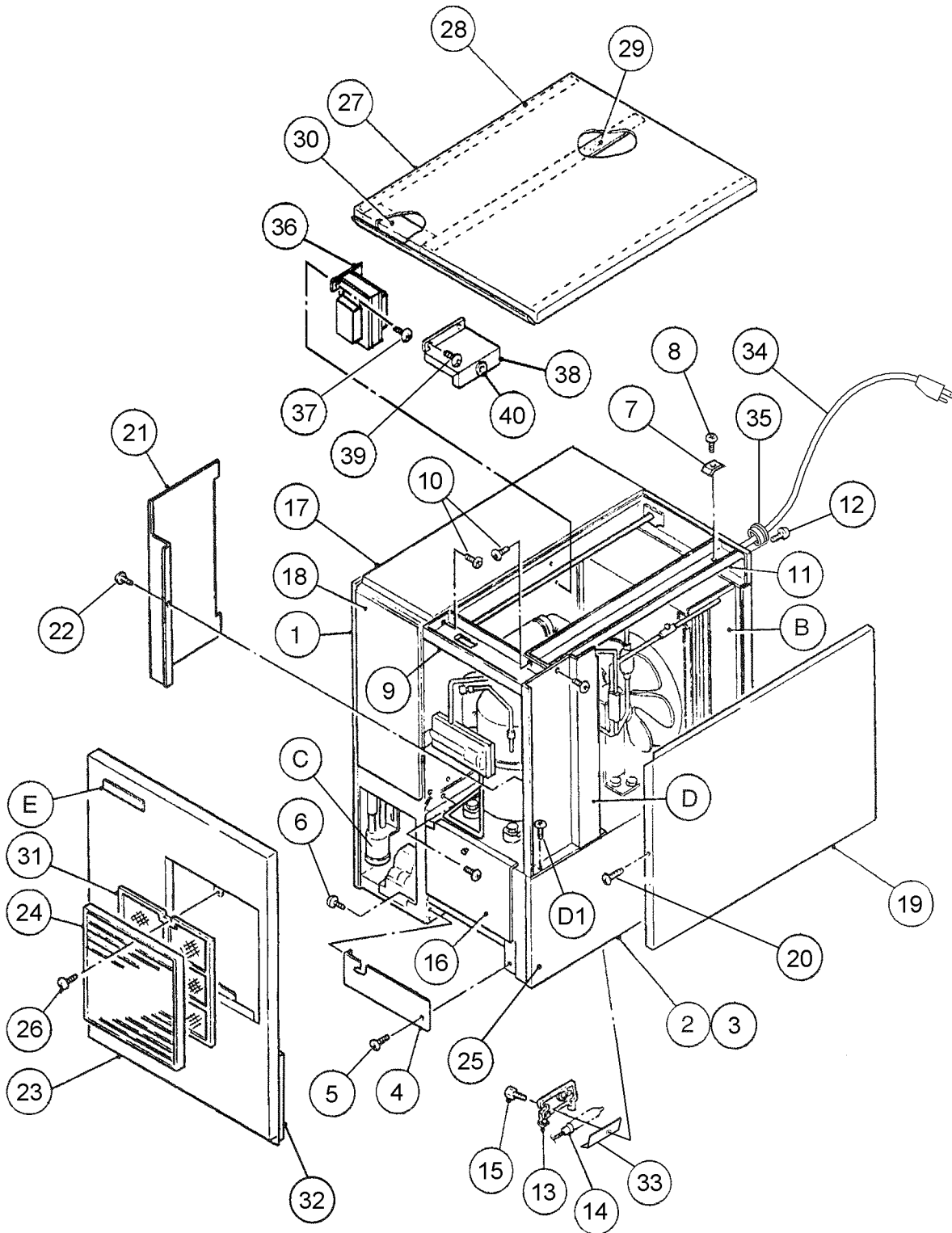
Ex.2



o = New part for "x" in the same auxiliary code.

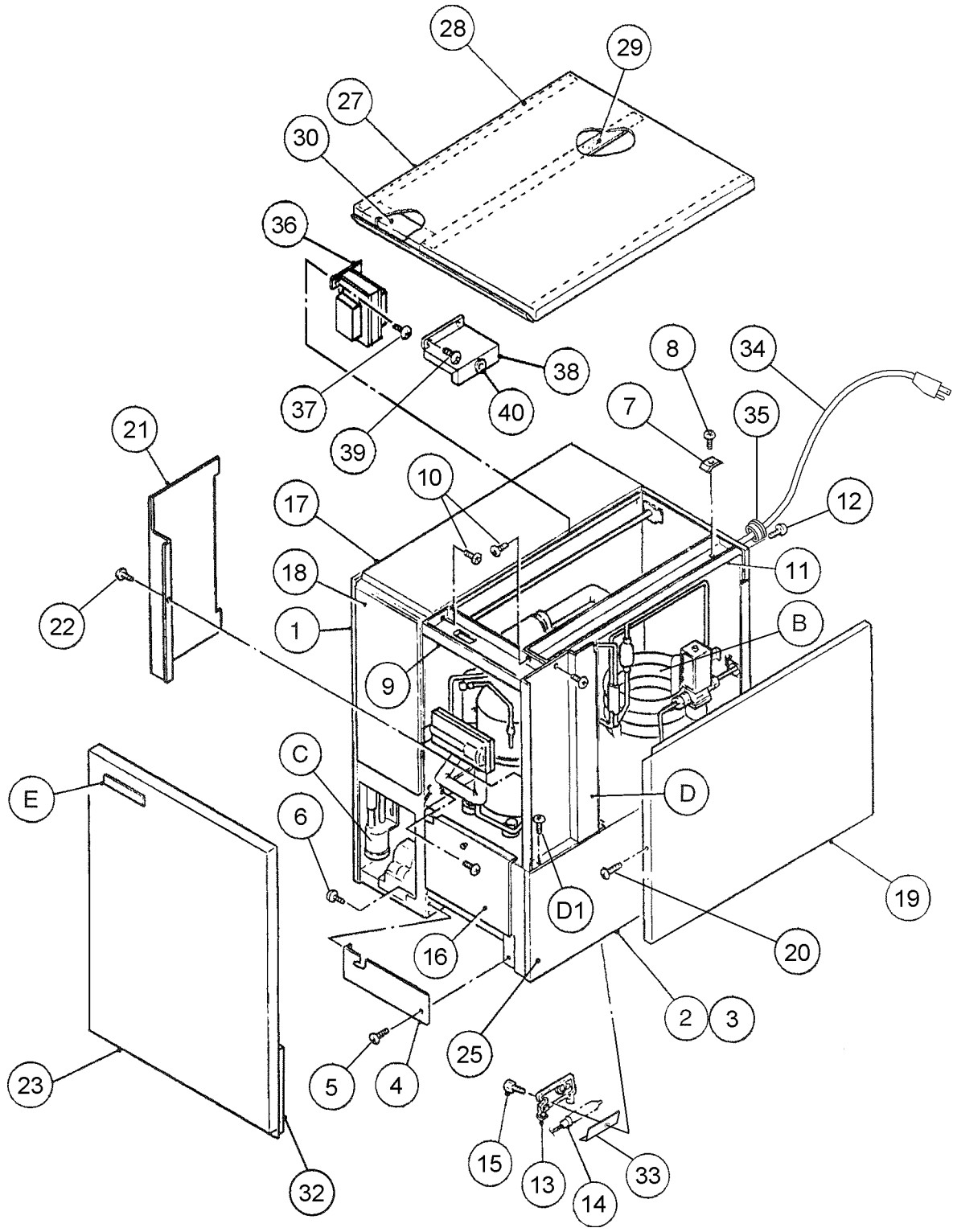
Ex.3





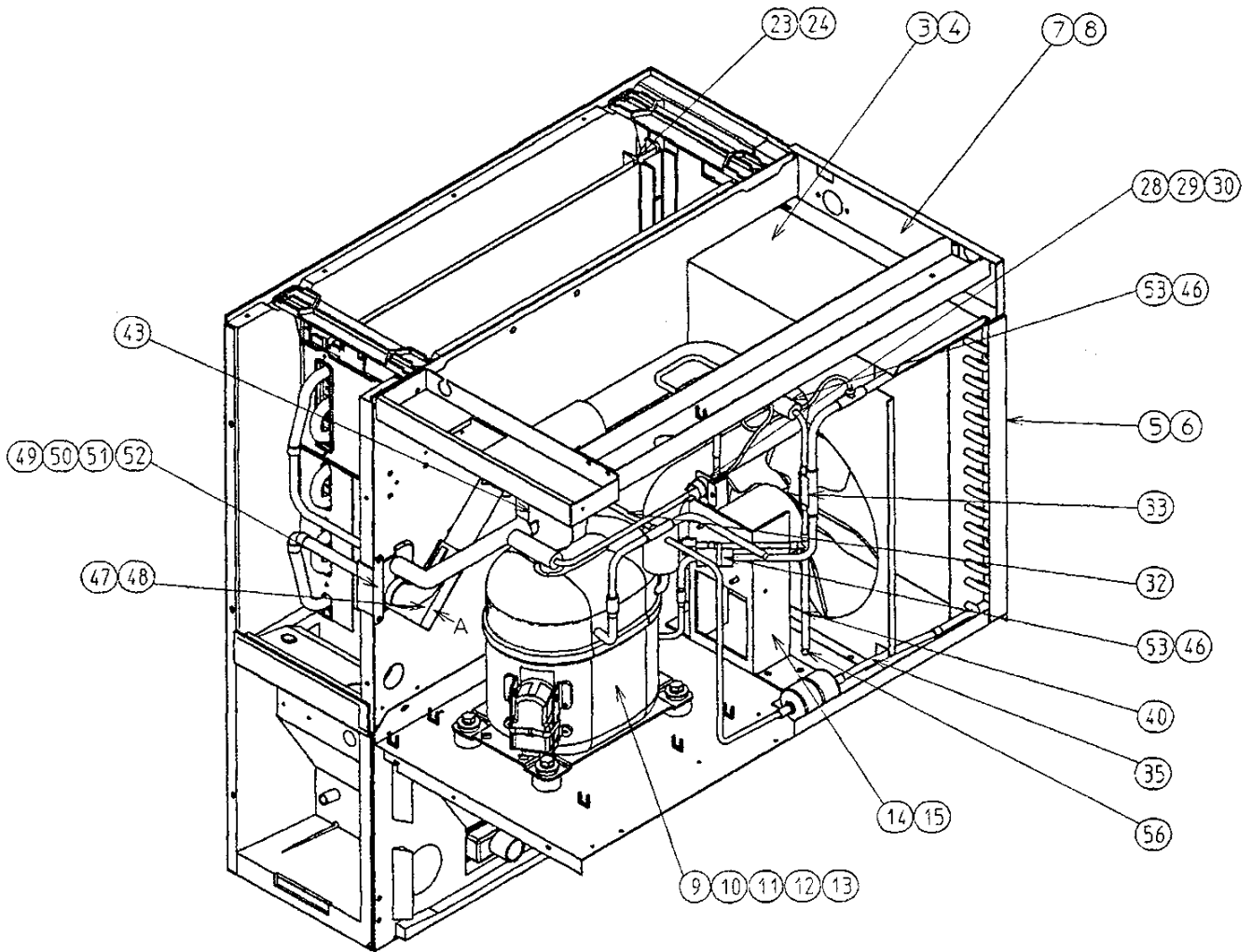
MODEL: KM-280MAF-E TITLE: A. ICE CUBER ASSEMBLY								
INDEX NO.	DESCRIPTION	MATERIAL OR MODEL NUMBER	PART NUMBER	REQUIRED NUMBER				
				J-0	J-1	K-0		
B	REFRIGERATION CIRCUIT	-	1A0392A02	1	1	1		
C	WATER CIRCUIT	-	1A0450A01	1	1	1		
D	CONT. BOX ASSY	-	2A1537A01	1	1	1		
D1	T2 SCREW	4x8	7P31-0408	4	4	4		
E	LABEL LOCATION	-	3A1363A01	1	1	1		
1	EVAP. CASE	HS-1012	1A0277G03	1	1	1		
2	BASE	-	2A1321G04	1	1	1		
3	FT SCREW	4x8	7F31-0408	7	7	7		
4	FRAME	ABS	3A0217G01	1	1	1		
5	TRUSS HEAD SCREW	4x8, SS	7C32-0408	1	1	1		
6	TRUSS HEAD SCREW	4x25, SS	7C32-0425	2	2	2		
7	SQUARE WASHER	BRASS	433537-02	1	1	1		
8	SCREW - GROUNDING	BRASS	433304-02	1	1	1		
9	TOP FRAME	GS	3A1366-01	1	1	1		
10	T2 SCREW	4x8, SS	7P32-0408	4	4	4		
11	SIDE FRAME	GS	332465G01	1	1	1		
12	T2 SCREW	4x8	7P31-0408	2	2	2		
13	BULB HOLDER	PE	328919-01	1	1	1		
14	SPACER	PE	443545-01	1	1	1		
15	THUMBSCREW	SS, ABS	415949G03	2	2	2		
16	BASE COVER	SS	321525G01	1	1	1		
17	TOP INSULATION	PP	215730G01	1	1	1		
18	FRONT INSULATION	PP	215731G01	1	1	1		
19	SIDE PANEL (R)	SS	211811G06	1	1	1		
20	T2 SCREW	4x8, SS	7P32-0408	1	1	1		
21	CONT. BOX COVER	GS	332466-01	1	1	1		
22	T2 SCREW	4x8	7P31-0408	1	1	1		
23	FRONT PANEL	SS	323004G07	1	1	1		
24	LOUVER (B)	ABS	103121-03	1	1	1		
25	SIDE PANEL (R) - BASE	SS	212620-01	1	1	1		

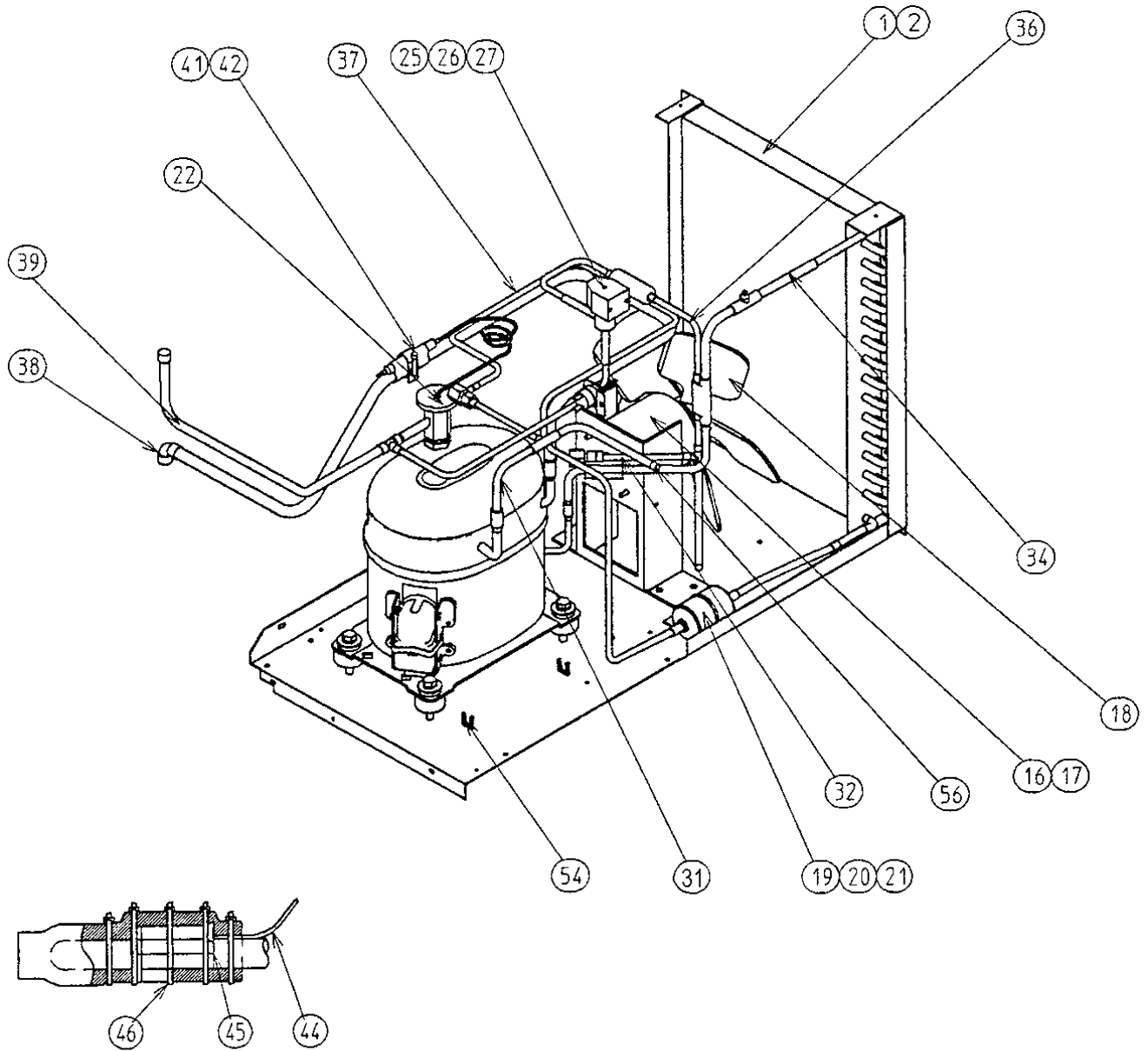
MODEL: KM-280MAF-E TITLE: A. ICE CUBER ASSEMBLY								
INDEX NO.	DESCRIPTION	MATERIAL OR MODEL NUMBER	PART NUMBER	REQUIRED NUMBER				
				J-0	J-1	K-0		
26	TAPPING SCREW (black)	STEEL, 4x8	433954-01	1	1	1		
27	TOP PANEL	SS (324859A03)	220465-01	1	1	1		
28	GASKET	PVC (324859A03)	427014-04	2	2	2		
29	GASKET (A)	PVC (324859A03)	324859-03	1	1	1		
30	INSULATION	PE FOAM	438012-01	1	1	1		
31	AIR FILTER (B)	ABS	208283G03	1	1	1		
32	FRONT COVER	P.S	2A0182-01	1	1	1		
33	DEFLECTOR	SS	4A1951-01		1	1		
34	POWER SUPPLY CORD	-	452359-02	1	1	1		
35	BUSHING	CEE SR-6P30	450414-01	1	1	1		
36	TRANSFORMER	PY12-19204	446202-01	1	1	1		
37	PAN HEAD SCREW W/ WASHER (LF)	4x8	7C1230408	4	4	4		
38	TRANS COVER	GS	446359-01	1	1	1		
39	T2 SCREW	4x8	7P31-0408	2	2	2		
40	BUSHING	OCB-500	428394-02	1	1	1		



MODEL: KM-280MWF-E TITLE: A. ICE CUBER ASSEMBLY								
INDEX NO.	DESCRIPTION	MATERIAL OR MODEL NUMBER	PART NUMBER	REQUIRED NUMBER				
				J-0	J-1	K-0		
B	REFRIGERATION CIRCUIT	-	1A0395A02	1	1	1		
C	WATER CIRCUIT	-	1A0450A01	1	1	1		
D	CONT. BOX ASSY	-	2A1537A02	1	1	1		
D1	T2 SCREW	4x8	7P31-0408	4	4	4		
E	LABEL LOCATION	-	3A1362A01	1	1	1		
1	EVAP. CASE	HS-1012	1A0277G03	1	1	1		
2	BASE	-	2A1321G05	1	1	1		
3	FT SCREW	4x8	7F31-0408	7	7	7		
4	FRAME	ABS	3A0217G01	1	1	1		
5	TRUSS HEAD SCREW	4x8, SS	7C32-0408	1	1	1		
6	TRUSS HEAD SCREW	4x25, SS	7C32-0425	2	2	2		
7	SQUARE WASHER	BRASS	433537-02	1	1	1		
8	SCREW - GROUNDING	BRASS	433304-02	1	1	1		
9	TOP FRAME	GS	3A1366-01	1	1	1		
10	T2 SCREW	4x8, SS	7P32-0408	4	4	4		
11	SIDE FRAME	GS	332465G01	1	1	1		
12	T2 SCREW	4x8	7P31-0408	2	2	2		
13	BULB HOLDER	PE	328919-01	1	1	1		
14	SPACER	PE	443545-01	1	1	1		
15	THUMBSCREW	SS, ABS	415949G03	2	2	2		
16	BASE COVER	SS	321525G01	1	1	1		
17	TOP INSULATION	PP	215730G01	1	1	1		
18	FRONT INSULATION	PP	215731G01	1	1	1		
19	SIDE PANEL (R)	SS	211811G06	1	1	1		
20	T2 SCREW	4x8, SS	7P32-0408	1	1	1		
21	CONT. BOX COVER	GS	332466-01	1	1	1		
22	T2 SCREW	4x8	7P31-0408	1	1	1		
23	FRONT PANEL	SS	2A1366G01	1	1	1		
24	-	-	-					
25	SIDE PANEL (R) BASE	SS	212620-01	1	1	1		

MODEL: KM-280MWF-E TITLE: A. ICE CUBER ASSEMBLY								
INDEX NO.	DESCRIPTION	MATERIAL OR MODEL NUMBER	PART NUMBER	REQUIRED NUMBER				
				J-0	J-1	K-0		
26	-	-	-					
27	TOP PANEL	SS (324859A03)	220465-01	1	1	1		
28	GASKET	PVC	427014-04	2	2	2		
29	GASKET (A)	PVC	324859-03	1	1	1		
30	INSULATION	PE FOAM	438012-01	1	1	1		
31	-	-	-					
32	FRONT COVER	P.S	2A0182-01	1	1	1		
33	DEFLECTOR	SS	4A1951-01		1	1		
34	POWER SUPPLY CORD	-	452359-02	1	1	1		
35	BUSHING	CEE SR-6P30	450414-01	1	1	1		
36	TRANSFORMER	PY12-19204	446202-01	1	1	1		
37	PAN HEAD SCREW W/ WASHER (LF)	4x8	7C1230408	4	4	4		
38	TRANS COVER	GS	446359-01	1	1	1		
39	T2 SCREW	4x8	7P31-0408	2	2	2		
40	BUSHING	OCB-500	428394-02	1	1	1		





THERMISTOR ATTACHMENT

MODEL: KM-280MAF-E TITLE: B. REFRIGERATION CIRCUIT								
INDEX NO.	DESCRIPTION	MATERIAL OR MODEL NUMBER	PART NUMBER	REQUIRED NUMBER				
				J-0	J-1	K-0		
1	CONDENSER	-	2A0562-01	1	1	1		
2	T2 SCREW	4x8	7P31-0408	2	2	2		
3	SHROUD	GS	2A0606-01	1	1	1		
4	T2 SCREW	4x8	7P31-0408	2	2	2		
5	BARRIER	GS	433693-04	1	1	1		
6	T2 SCREW	4x8	7P31-0408	2	2	2		
7	REAR PANEL	GS	3A1367-01	1	1	1		
8	T2 SCREW	4x8	7P31-0408	3	3	3		
9	COMPRESSOR	AKA9438ZXC	4A1924-01	1	1	1		
10	BOLT	8x45	437889-01	4	4	4		
11	SPACER	027-0072-02	434404-01	4	4	4		
12	GROMMET	527-0039-04	434403-01	4	4	4		
13	MOTOR PROTECTOR		4A1919-01	1	1	1		
14	FAN MOTOR BRACKET	GS	327179-01	1	1	1		
15	HEX BOLT ASSEMBLY (LF)	5X12, SS	7B0230512	4	4	4		
16	FAN MOTOR	U90B1, 7190-1031	440911-01	1	1	1		
17	SELF-LOCKING NUT	NO. 8-32	7N2110832	4	4	4		
18	FAN BLADE	AD10CW32	444898-01	1	1	1		
19	DRIER	CW-0325-S	4A1413-01	1	1	1		
20	DRIER BRACKET	GS	445847-01	1	1	1		
21	T2 SCREW	4x8	7P31-0408	1	1	1		
22	EXP. VALVE	AN1/2 SW70	4A1838-01	1	1	x1		
			4A1838-02			o1		
23	EVAPORATOR	-	1A0138G01	1	1	1		
24	T2 SCREW	4x16, SS	7P32-0416	4	4	4		
25	VALVE BODY	70	440352-01	1	1	1		
26	COIL VALVE	ABS-25-1-HD-2	440353-01	1	1	1		
27	BOLT	4x6	440353F01	1	1	1		
28	PRESSURE SWITCH	ACB-1UB09	433441-07	1	1	1		

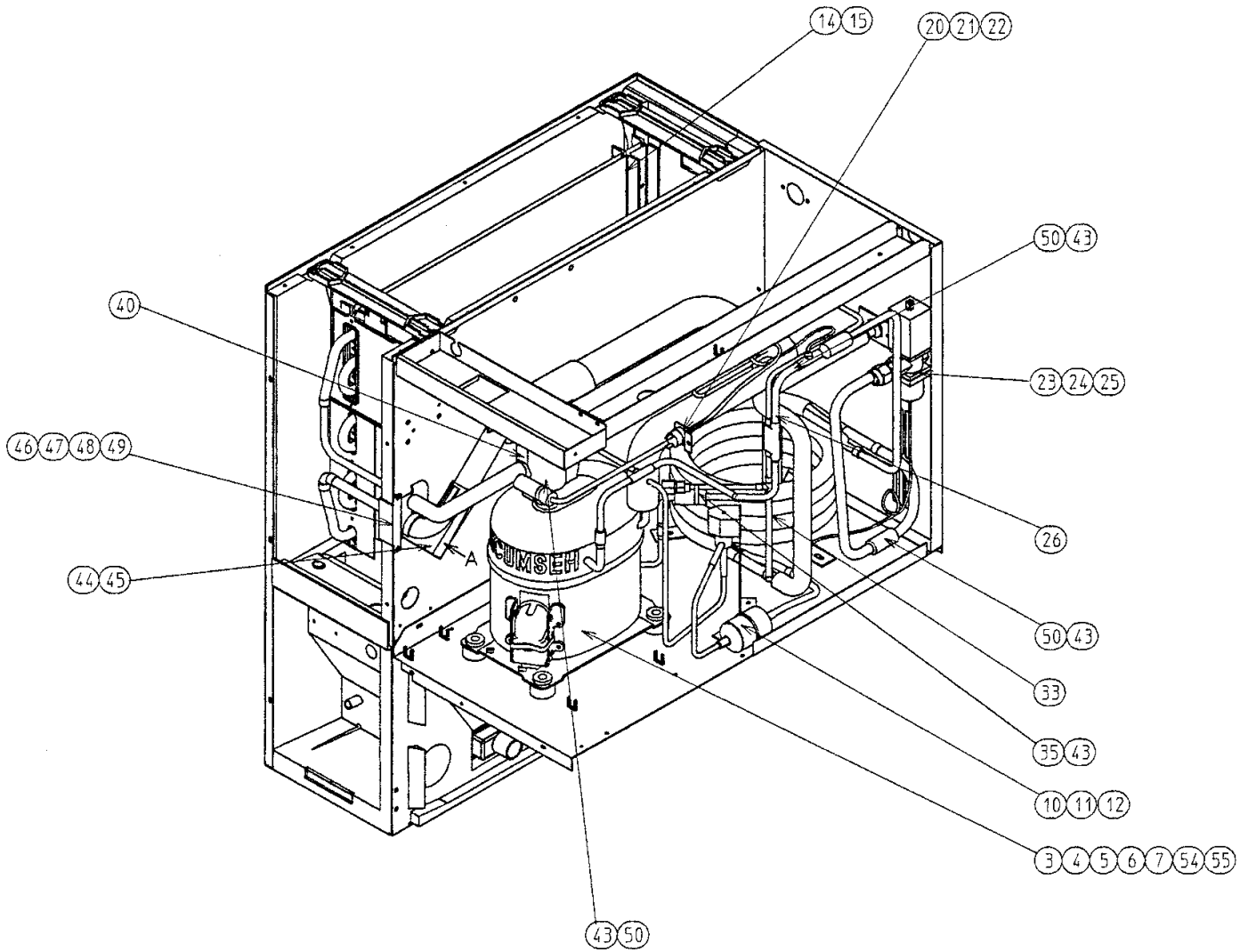
MODEL: KM-280MAF-E TITLE: B. REFRIGERATION CIRCUIT								
INDEX NO.	DESCRIPTION	MATERIAL OR MODEL NUMBER	PART NUMBER	REQUIRED NUMBER				
				J-0	J-1	K-0		
29	PRESSURE SWITCH BRACKET	GS	434938-01	1	1	1		
30	T2 SCREW	4x8	7P31-0408	1	1	1		
31	ACCESS VALVE-LOW SIDE	-	3A1237G01	1	x1			
	COPPER TUBE ACCESS VALVE	-	3A1422G01		o1	1		
32	ACCESS VALVE	FV180D001	446715-01	2	x2			
		TCJ-2F20NHDU-1	457729-01		o2	2		
33	COPPER TUBE (A) - HIGH SIDE	COPPER	2A1435G01	1	1	1		
34	COPPER TUBE (B) - HIGH SIDE	COPPER	4A1823-01	1	1	1		
35	COPPER TUBE (C) - HIGH SIDE	COPPER	4A1819-01	1	1	1		
36	COPPER TUBE (D) - HIGH SIDE	COPPER	3A1238G01	1	1	1		
37	HEAT EXCHANGER	-	2A1478G01	1	1	1		
38	ELBOW	COPPER	417395-03	1	1	1		
39	COPPER TUBE - HOT GAS	COPPER	2A1425G01	1	1	1		
40	COPPER TUBE (J)	COPPER	4A1815G01	1	1	1		
41	HOLDER / EXP. VALVE – 1/2	SS	3A0112-01	1	1	1		
42	CLAMP	SS	443461-02	1	1	1		
43	EXPANSION VALVE COVER	PE FOAM	4A1168-01	1	1	1		
44	THERMISTOR	-	429006-03	1	1	1		
45	HOLDER - THERMISTOR	COPPER	427430-01	1	1	1		
46	CABLE TIE	CV-200 (PLT-2M)	7920-0010	12	15	15		
47	INSULATION - THERMISTOR (A)	PE FOAM	439368-01	1	1	1		
48	INSULATION - THERMISTOR (B)	PE FOAM	439368-02	1	1	1		
49	RUBBER INSULATION (A)	EPDM	3A1044-01	1	1	1		
50	RUBBER INSULATION (B)	EPDM	3A1045-01	1	1	1		
51	INSULATION HOLDER	SS	4A1550-01	1	1	1		
52	T2 SCREW	4x8, SS	7P32-0408	2	2	2		
53	INSULATION TUBE	L=40	7762-1020	2	2	2		
54	WIRE SADDLE	VWS4238-C	4A0338-02	10	10	10		
55	-	-	-					
56	END CAP	RUBBER	4A1413F01	2	2	2		

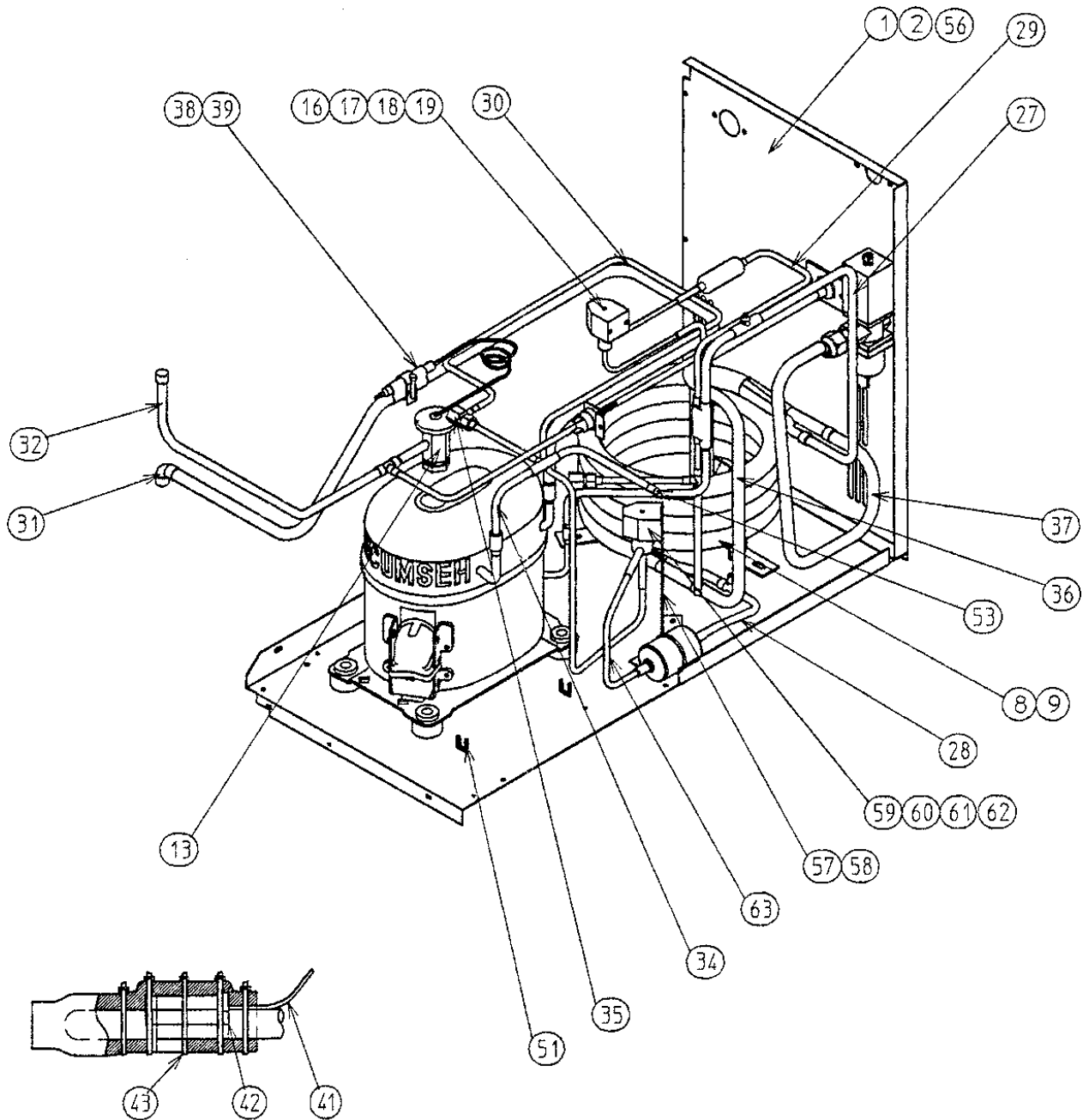
HA

KM-280MWF-E

B. REFRIGERATION CIRCUIT (1/2)

J-0, J-1, K-0





THERMISTOR ATTACHMENT

MODEL: KM-280MWF-E TITLE: B. REFRIGERATION CIRCUIT								
INDEX NO.	DESCRIPTION	MATERIAL OR MODEL NUMBER	PART NUMBER	REQUIRED NUMBER				
				J-0	J-1	K-0		
1	REAR PANEL	GS	2A1580-01	1	1	1		
2	T2 SCREW	4x8	7P31-0408	5	5	5		
3	COMPRESSOR	AKA9438ZXC	4A1924-01	1	1	1		
4	BOLT	8x45	437889-01	4	4	4		
5	SPACER	027-0072-02	434404-01	4	4	4		
6	GROMMET	527-0039-04	434403-01	4	4	4		
7	MOTOR PROTECTOR		4A1919-01	1	1	1		
8	CONDENSER - WATER-COOLED	H-1 1/4 -I	2A1429-01	1	1	1		
9	HEX BOLT ASSEMBLY (LF)	4X12, SS	7B0230412	3	3	3		
10	DRIER	CW-0325-S	4A1413-01	1	1	1		
11	DRIER BRACKET	GS	445847-01	1	1	1		
12	T2 SCREW	4x8, SS	7P32-0408	1	1	1		
13	EXP. VALVE	AN1/2 SW70	4A1838-01	1	1	x1		
			4A1838-02			o1		
14	EVAPORATOR	-	1A0138G01	1	1	1		
15	T2 SCREW	4x16, SS	7P32-0408	4	4	4		
16	VALVE BODY	-	3U0151-01	1	1	1		
17	COIL VALVE	ADS-15H DU-8	3U0151F01	1	1	1		
18	BOLT	-	3U0151F02	1	1	1		
19	TRUSS HEAD SCREW	4x8	7C31-0408	2	2	2		
20	PRESSURE SWITCH	ACB-2UB04	433441-05	1	1	1		
21	PRESSURE SWITCH BRACKET	GS	434938-01	1	1	1		
22	T2 SCREW	4x8	7P31-0408	1	1	1		
23	WATER REGULATOR	V46DA-3	4A0911-03	1	1	1		
24	TRUSS HEAD SCREW	4x8	7C31-0408	2	2	2		
25	MALE CONNECTOR	BRASS	4A1087-01	1	1	1		
26	COPPER TUBE (A) - HIGH SIDE	COPPER	2A1435G01	1	1	1		
27	COPPER TUBE (B) - HIGH SIDE	COPPER	3A1249-01	1	1	1		
28	COPPER TUBE (C) - HIGH SIDE	COPPER	4A1829G01	1	1	1		
29	COPPER TUBE (D) - HIGH SIDE	COPPER	3A1239G01	1	1	1		

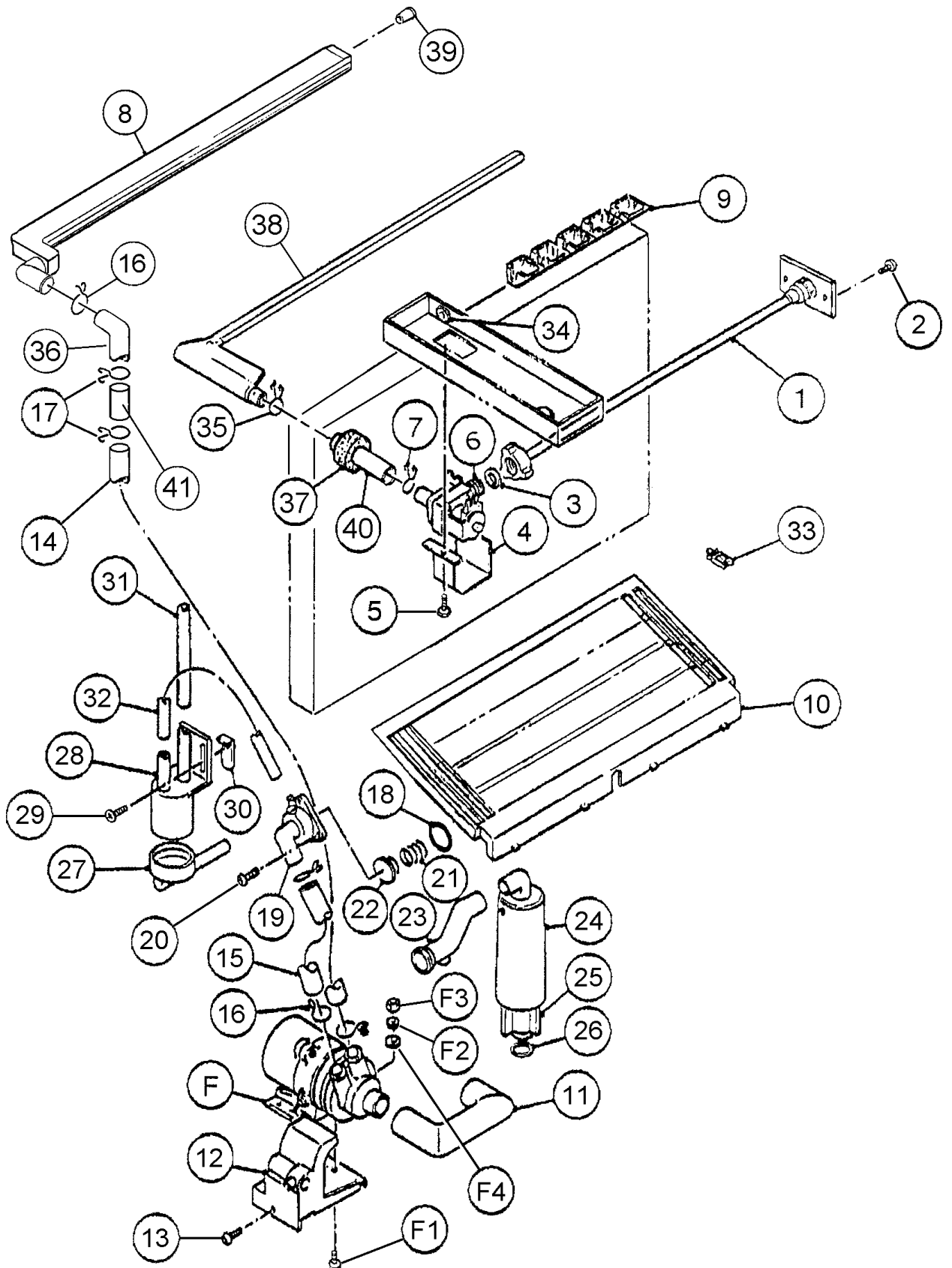
MODEL: KM-280MWF-E TITLE: B. REFRIGERATION CIRCUIT								
INDEX NO.	DESCRIPTION	MATERIAL OR MODEL NUMBER	PART NUMBER	REQUIRED NUMBER				
				J-0	J-1	K-0		
30	HEAT EXCHANGER	COPPER	2A1432G01	1	x1			
		COPPER	2A1581G01		o1	1		
31	ELBOW	COPPER	417395-03	1	1	1		
32	COPPER TUBE (A) - HOT GAS	COPPER	2A1427G01	1	1	1		
33	COPPER TUBE (J)	COPPER	4A1815G01	1	1	1		
34	ACCESS VALVE-LOW SIDE	-	3A1237G01	1	x1			
	COPPER TUBE ACCESS VALVE	-	3A1422G01		o1	1		
35	ACCESS VALVE	FV180D001	446715-01	2	x2			
		TCJ-2F2ONHDU-1	457729-01		o2	2		
36	COPPER TUBE (A) - WATER CIRCUIT	COPPER	3A1251G01	1	1	1		
37	COPPER TUBE (B) - WATER CIRCUIT	COPPER	4A1830G01	1	1	1		
38	HOLDER/EXPANSION VALVE - 1/2	SS	3A0112-01	1	1	1		
39	CLAMP	SS	443461-02	1	1	1		
40	EXPANSION VALVE COVER	PE FOAM	4A1168-01	1	1	1		
41	THERMISTOR	-	429006-03	1	1	1		
42	HOLDER - THERMISTOR	COPPER	427430-01	1	1	1		
43	CABLE TIE	CV-200 (PLT-2M)	7920-0010	12	15	15		
44	INSULATION - THERMISTOR (A)	PE FOAM	439368-01	1	1	1		
45	INSULATION - THERMISTOR (B)	PE FOAM	439368-02	1	1	1		
46	RUBBER INSULATION (A)	EPDM	3A1044-01	1	1	1		
47	RUBBER INSULATION (B)	EPDM	3A1045-01	1	1	1		
48	INSULATION HOLDER	SS	4A1550-01	1	1	1		
49	T2 SCREW	4x8, SS	7P32-0408	2	2	2		
50	INSULATION TUBE	L=40	7762-1020	3	3	3		
51	WIRE SADDLE	VWS4238-C	4A0338-02	9	9	9		
52	-	-	-					
53	END CAP	RUBBER	4A1413F01	2	2	2		
54	-	-	-					
55	-	-	-					
56	-	-	-					

HA

KM-280MAF-E, MWF-E

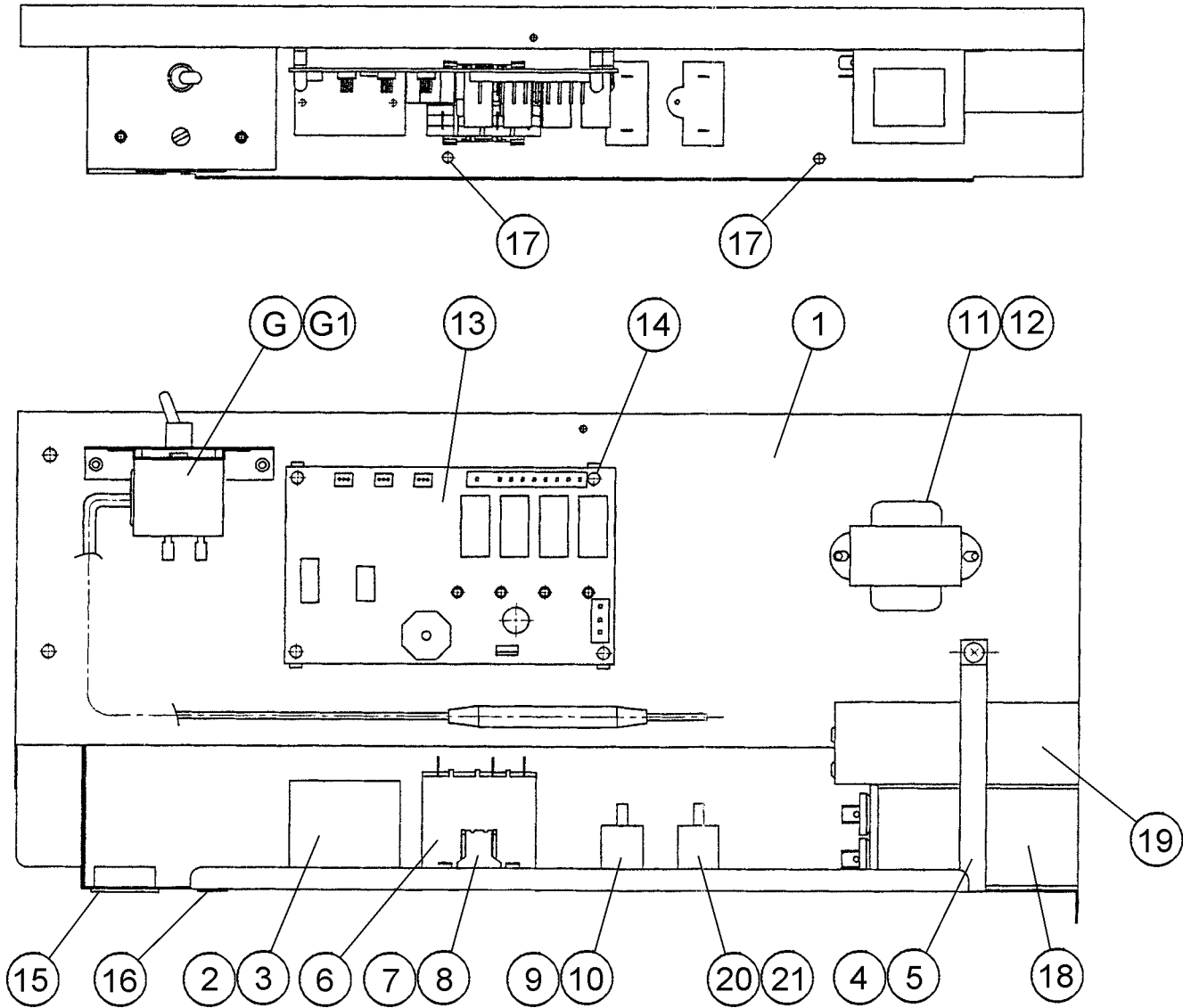
C. WATER CIRCUIT

J-0, J-1, K-0



MODEL: KM-280MAF-E, MWF-E TITLE: C. WATER CIRCUIT								
INDEX NO.	DESCRIPTION	MATERIAL OR MODEL NUMBER	PART NUMBER	REQUIRED NUMBER				
				J-0	J-1	K-0		
F	PUMP MOTOR ASSEMBLY	HS-0127	3A1092A01	1	1	1		
F1	TRUSS HEAD SCREW	4x16, SS	7C32-0415	1	1	1		
F2	FLAT WASHER	M4, SS	7W22-0400	1	1	1		
F3	SPLIT LOCK WASHER	M4, SS	7L22-0400	1	1	1		
F4	HEX NUT	M4, SS	7N12-0400	1	1	1		
1	WATER SUPPLY PIPE	COPPER	4A0768G06	1	1	1		
2	T2 SCREW	4x8	7P31-0408	2	2	2		
3	RUBBER GASKET	NR	413854-03	1	1	1		
4	WATER VALVE BRACKET	GS	3A0736-01	1	1	1		
5	T2 SCREW	4x8	7P31-0408	1	1	1		
6	WATER VALVE		4A1176-04	1	x1			
			4A1955A01		o1	1		
7	HOSE CLAMP	SS, 18MM	427443-05	1	1	1		
8	SPRAY TUBE	PE	1A0222-02	1	1	1		
9	SPRAY GUIDE (A)	PE	208586-01	6	6	6		
10	CUBE GUIDE	ABS	212088-01	1	1	1		
11	SUCTION HOSE	EPDM	4A1380-01	1	1	1		
12	PUMP MOTOR BRACKET	PC	211408-01	1	1	1		
13	FLAT HEAD SCREW	4x12, SS	7F32-0412	1	1	1		
14	VINYL HOSE	L=265	7716-2025	1	1	1		
15	VINYL HOSE	L=110	7716-2025	1	1	1		
16	HOSE CLAMP	SS, 25MM	427443-03	6	4	4		
17	HOSE CLAMP	SS, 23MM	427443-10		2	2		
18	"O" RING	1AG35	7611-G035	1	1	1		
19	VALVE HOUSING - DRAIN	ABS	321001-01	1	1	1		
20	T2 SCREW	4x10, SS	7P32-0410	3	3	3		
21	SPRING	SS	3A1091-01	1	x1			
		SS	3A1361-01		o1	1		
22	VALVE SHEET	EPDM	433705-01	1	1	1		

MODEL: KM-280MAF-E, MWF-E TITLE: C. WATER CIRCUIT								
INDEX NO.	DESCRIPTION	MATERIAL OR MODEL NUMBER	PART NUMBER	REQUIRED NUMBER				
				J-0	J-1	K-0		
23	DRAIN HOSE	DYNAFLEX	433468-01	1	1	1		
24	OVERFLOW CAP	PE	321002-01	1	1	1		
25	OVERFLOW PIPE	ABS	430722-05	1	1	1		
26	“O” RING	EPDM	4A1234-01	1	1	1		
27	CONNECTOR-FLOAT SWITCH	EPDM	3A1325-01	1	1	1		
28	FLOAT SWITCH	163795	4A0886-01	1	1	1		
29	T2 SCREW	4X12, SS	7P32-0412	2	2	2		
30	FLOAT SWITCH STOP	SS	446358-01	1	1	1		
31	SILICONE HOSE	L=140	7730I3812	1	1	1		
32	SILICONE HOSE	L=140	7730I3896	1	1	1		
33	WIRE SADDLE	VWS4238-C	4A0388-02	4	4	4		
34	BUSHING	OCB-750	428394-01	1	1	1		
35	HOSE CLAMP	SS, 20MM	427443-06	1	1	1		
36	RUBBER HOSE(C)	DYNAFLEX	4A1551-03	1	1	1		
37	INSULATION (E)	PE FOAM	4A0392-01	1	1	1		
38	WATER SUPPLY TUBE	PE	2A0560-01	1	1	1		
39	PLUG	EPDM	4A0176-01	1	1	1		
40	CONNECTING PIPE	DYNAFLEX	4A1142-02	1	1	1		
41	INSERT COUPLING	3/4 “	4A0632-01	1	1	1		



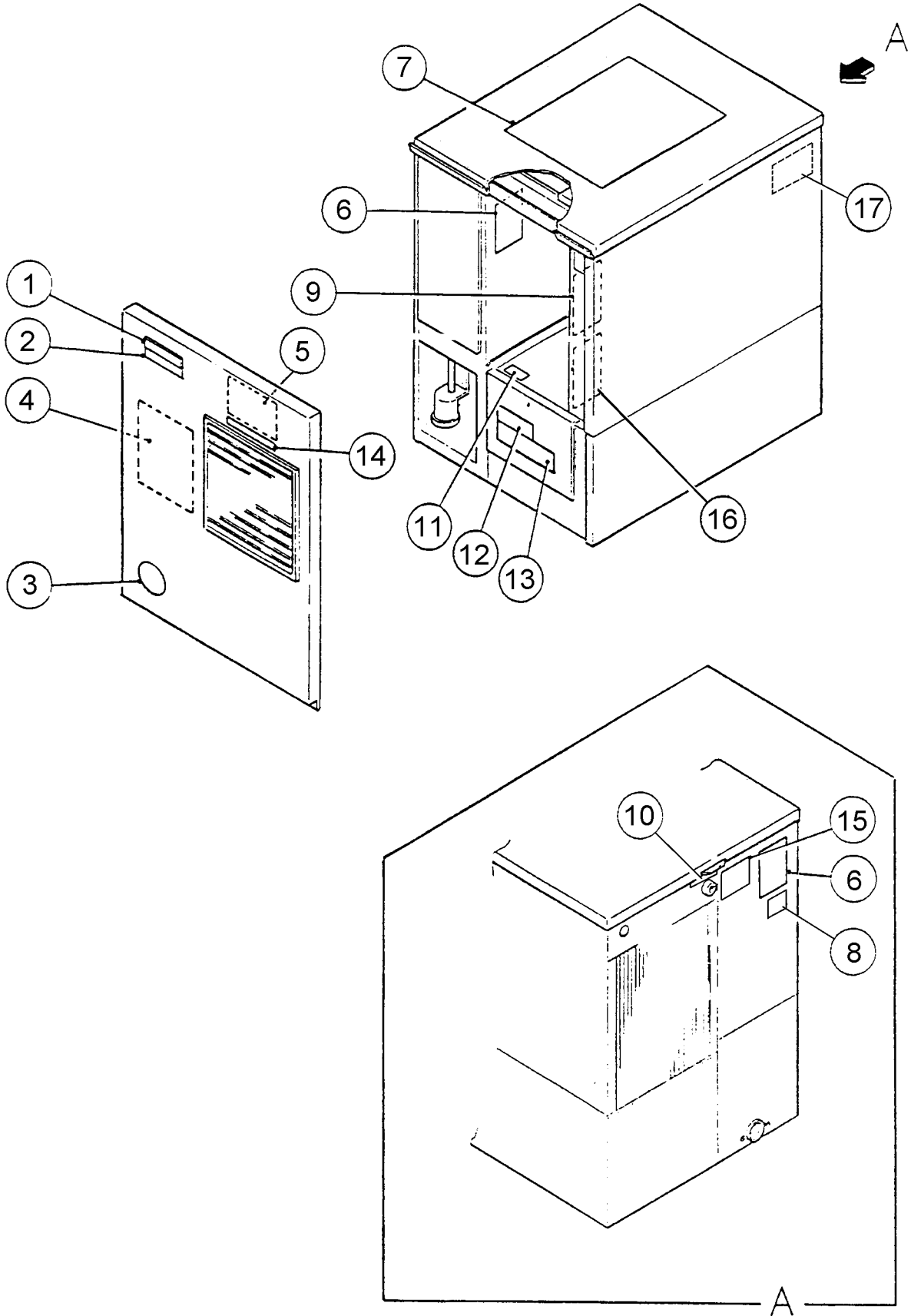
MODEL: KM-280MAF-E, MWF-E TITLE: D. CONT. BOX ASSY								
INDEX NO.	DESCRIPTION	MATERIAL OR MODEL NUMBER	PART NUMBER	REQUIRED NUMBER				
				J-0	J-1	K-0		
G	CONTROL ASSEMBLY	-	4A0388A02	1	1	1		
G1	T2 SCREW	4x8	7P31-0408	2	2	2		
1	CONT. BOX	-	332464G01	1	1	1		
2	STARTER	3ARR3CTAN5	4A1107-06	1	1	1		
3	T2 SCREW	4x8	7P31-0408	1	1	1		
4	STRAP	GS	434580-03	1	-			
		GS	434580-11		1	1		
5	T2 SCREW	4x8	7P31-0408	1	1	1		
6	MAGNETIC CONTACTOR	VC-20	428393-01	1	1	1		
7	BRACKET		428393F01	1	1	1		
8	T2 SCREW	4x8	7P31-0408	2	2	2		
9	CAPACITOR	250 VAC, 5.5 MFD	4A1025-03	1	1	x1		
			4A2128-03			o1		
10	T2 SCREW	4x10	7P31-0410	1	1	1		
11	TRANSFORMER		3A0172-01	1	1	1		
12	T2 SCREW	4x8	7P31-0408	2	2	2		
13	CONTROLLER BOARD	HOS-001A	2A1410-01	1	1	1		
14	BOARD SUPPORT	CBLS37-M	4A0336-03	4	4	4		
15	BUSHING	SB-1093-15	420470-03	1	1	1		
16	BUSHING	OCB-500	428394-02	1	1	1		
17	WIRE SADDLE		4A0338-02	2	2	2		
18	CAPACITOR – STARTING	250 VAC, 72-86 MFD	3A0076-15	1	-			
		250 VAC, 72-86 MFD	3A1414-01		1	1		
19	CAPACITOR	370 VAC, 15 MFD	439943-04	1	1	1		
20	CAPACITOR (KM-280MAF-E ONLY)	250VAC, 2.5 MFD	4A1025-05	1	1	x1		
			4A2128-05			o1		
21	T2 SCREW (KM-280MAF-E ONLY)	4x10	4P31-0408	1	1	1		

HA

KM-280MAF-E

E. LABEL LOCATION

J-0, J-1, K-0



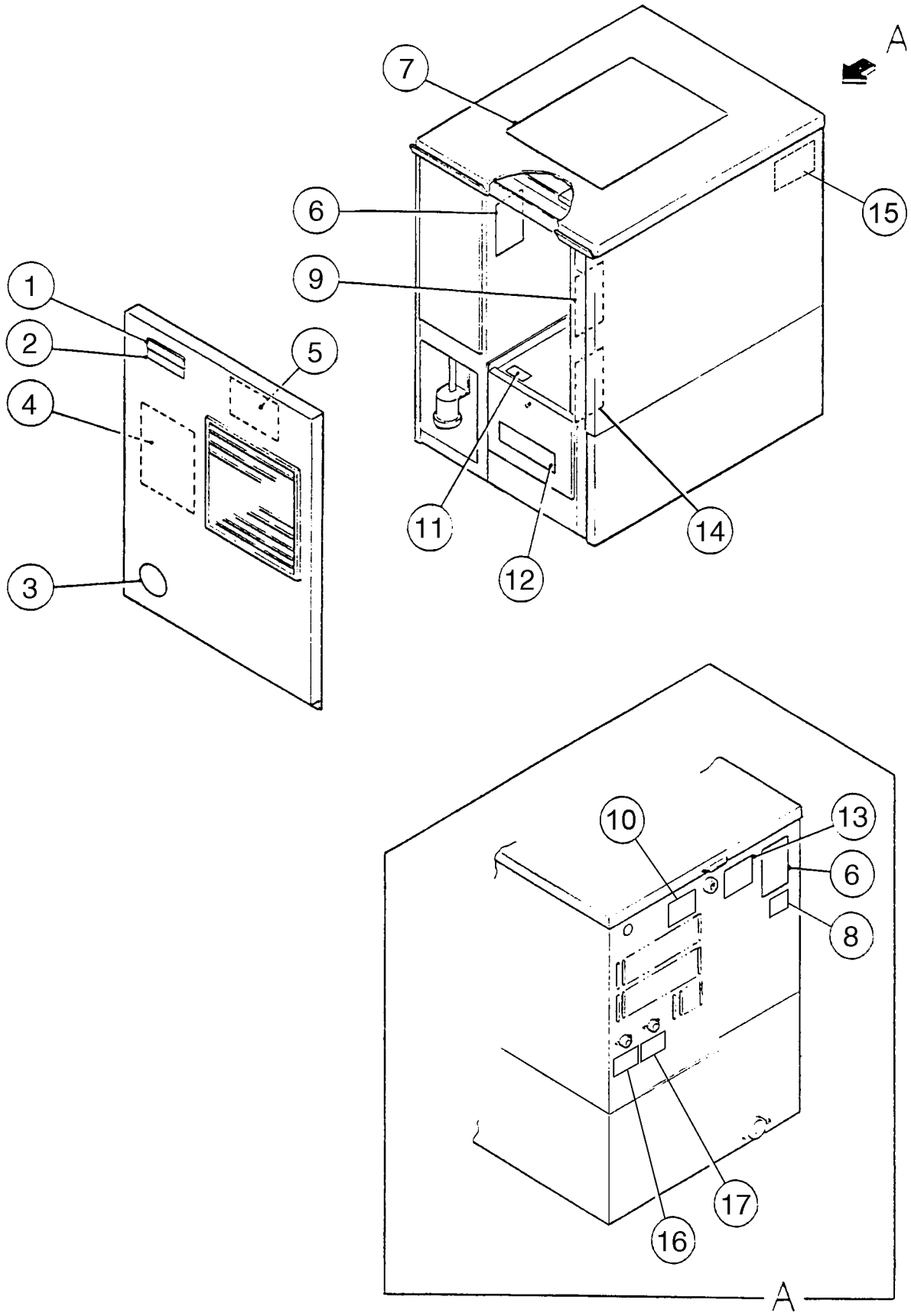
MODEL: KM-280MAF-E TITLE: E. LABEL LOCATION								
INDEX NO.	DESCRIPTION	MATERIAL OR MODEL NUMBER	PART NUMBER	REQUIRED NUMBER				
				J-0	J-1	K-0		
1	EMBLEM	PETP FILM	4A0560-01	1	1	1		
2	MODEL NUMBER LABEL	PETP FILM	4A1233-50	1	1	1		
3	LABEL – PENGUIN – HA (R)	PETP FILM	4A0526-01	1	1	1		
4	MAINTENANCE LABEL	PVC FILM	3A0725-01	1	1	1		
5	WIRING LABEL	PVC FILM	3A1360-01	1	-			
		PVC FILM	3A1356-01		1	1		
6	NAMEPLATE	PES FILM	4A1922-01	1	1	1		
7	INSTRUCTION SHEET	PAPER	2A1310-01	1	1	1		
8	LABEL-CE	PES FILM	450668-01	1	1	1		
9	MANUAL LABEL	PVC FILM	446564-01	1	1	1		
10	WATER SUPPLY LABEL	PVC FILM	4A1158-01	1	1	1		
11	LABEL – R404A	PES FILM	4A0960-01	1	1	1		
12	CAUTION LABEL (F)	PVC FILM	439146-01	1	1	1		
13	CAUTION LABEL (K)	PVC FILM	439150-01	1	1	1		
14	LABEL-AIR FILTER	PETP FILM	426177-01	1				
15	INSTRUCTION LABEL	PVC FILM	444575-01	1	1	1		
16	LABEL – CONTROL BOARD	PVC FILM	3A1272-01	1	1	1		
17	LABEL-GROUNDING (B)	PES FILM	450452-02	1	1	1		

HA

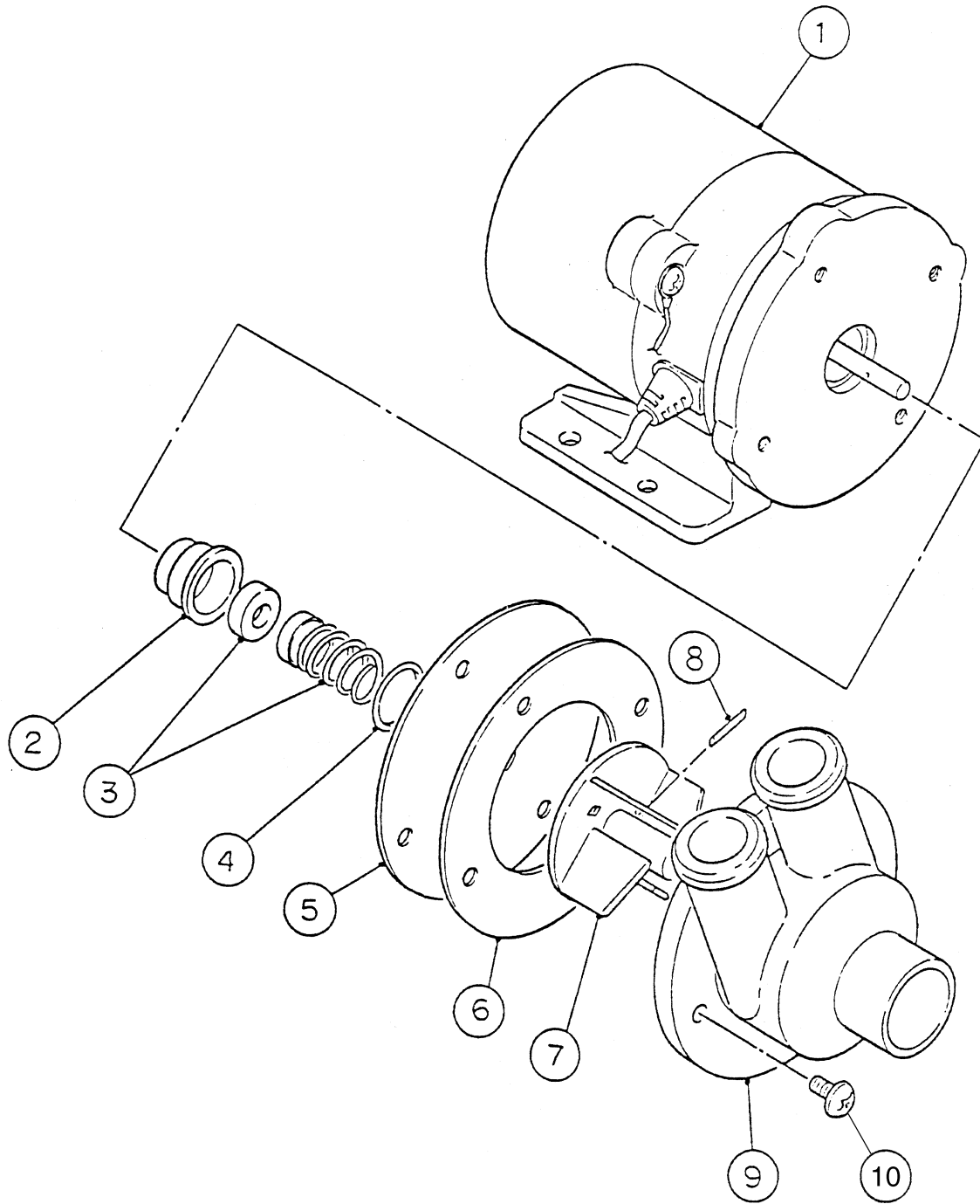
KM-280MWF-E

E. LABEL LOCATION

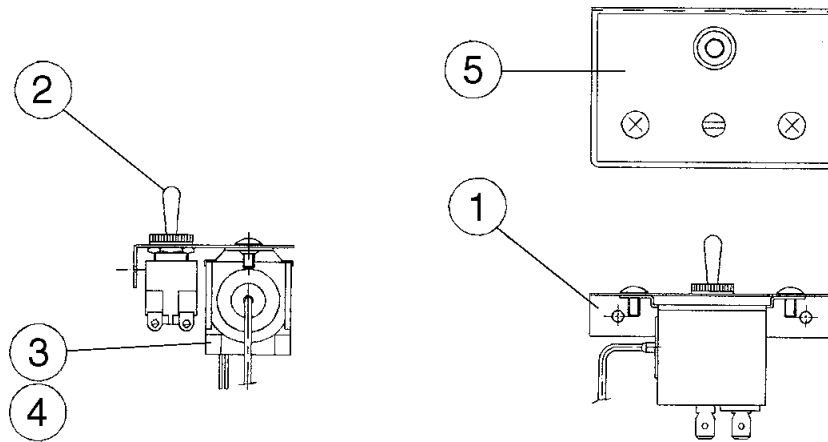
J-0, J-1, K-0



MODEL: KM-280MWF-E TITLE: E. LABEL LOCATION								
INDEX NO.	DESCRIPTION	MATERIAL OR MODEL NUMBER	PART NUMBER	REQUIRED NUMBER				
				J-0	J-1	K-0		
1	EMBLEM	PETP FILM	4A0560-01	1	1	1		
2	MODEL NUMBER LABEL	PETP FILM	4A1233-49	1	1	1		
3	LABEL – PENGUIN – HA (R)	PETP FILM	4A0526-01	1	1	1		
4	MAINTENANCE LABEL	PVC FILM	3A0725-01	1	1	1		
5	WIRING LABEL	PVC FILM	3A1360-01	1	-			
		PVC FILM	3A1356-01		1	1		
6	NAMEPLATE	PES FILM	4A1921-01	1	1	1		
7	INSTRUCTION SHEET	PAPER	2A1310-01	1	1	1		
8	LABEL-CE	PES FILM	450668-01	1	1	1		
9	MANUAL LABEL	PVC FILM	446564-01	1	1	1		
10	WATER SUPPLY LABEL	PVC FILM	4A1158-01	1	1	1		
11	LABEL – R404A	PES FILM	4A0960-01	1	1	1		
12	CAUTION LABEL (K)	PVC FILM	439150-01	1	1	1		
13	INSTRUCTION LABEL	PVC FILM	444575-01	1	1	1		
14	LABEL – CONTROL BOARD	PVC FILM	3A1272-01	1	1	1		
15	LABEL-GROUNDING (B)	PES FILM	450452-02	1	1	1		
16	LABEL-ARROW “OUT”	-	420743-01	1	1	1		
17	LABEL-ARROW “IN”	-	420743-02	1	1	1		



MODEL: KM-280MAF-E, MWF-E TITLE: F. PUMP MOTOR ASSEMBLY								
INDEX NO.	DESCRIPTION	MATERIAL OR MODEL NUMBER	PART NUMBER	REQUIRED NUMBER				
				J-0	J-1	K-0		
1	PUMP MOTOR	AP-TA4(H) 120V	2U0095-01	1	1	1		
2	RETAINER	SS	4A8584-01	1	1	1		
3	MECHANICAL SEAL (B)	H5-PS9, 5	415817-01	1	1	1		
4	"O" RING	1AP18	7611-P018	1	1	1		
5	PLATE – PUMP	SS	40313-01	1	1	1		
6	PUMP GASKET	NR	403014-01	1	1	1		
7	IMPELLER	ABS	3A0990-01	1	1	1		
8	PIN	SS	414102-01	1	1	1		
9	PUMP HOUSING	ABS	3A0989-01	1	1	1		
10	TRUSS HEAD SCREW	4x20, SS	7C32-0420	4	4	4		



HA

MODEL: KM-280MAF-E, MWF-E TITLE: G. CONTROL ASSEMBLY								
INDEX NO.	DESCRIPTION	MATERIAL OR MODEL NUMBER	PART NUMBER	REQUIRED NUMBER				
				J-0	J-1	K-0		
1	CONTROL BOX (C)		446559-01	1	1	1		
2	TOGGLE SWITCH	8956K172	4A1147-01	1	1	1		
3	THERMOSTAT	A30-3815-00	4A0824-01	1	1	1		
4	TRUSS HEAD SCREW	4x8	7C31-0408	2	2	2		
5	CONTROL LABEL		4A1271-01	1	1	1		

