



HOSHIZAKI

Parts List

Stackable Crescent Cuber

Models

KM-2600SWJ3

KM-2600SRJ3



hoshizakiamerica.com

Number: 71386
Issued: 6-27-2017
Revised: 9-22-2017

CONTENTS

| | |
|---|----|
| Auxiliary Codes..... | 3 |
| Note About Ordering Parts | 3 |
| A. Ice Cuber Assembly & Refrigeration Circuit | 4 |
| KM-2600SWJ3 | 4 |
| KM-2600SRJ3 | 6 |
| B. Water Circuit | 8 |
| C. Control Box Assembly | 11 |
| D. Accessories & Labels | 12 |

Auxiliary Codes

KM-2600SWJ3

G-0 January 2017

G-1 September 2017

KM-2600SRJ3

G-0 January 2017

G-1 September 2017

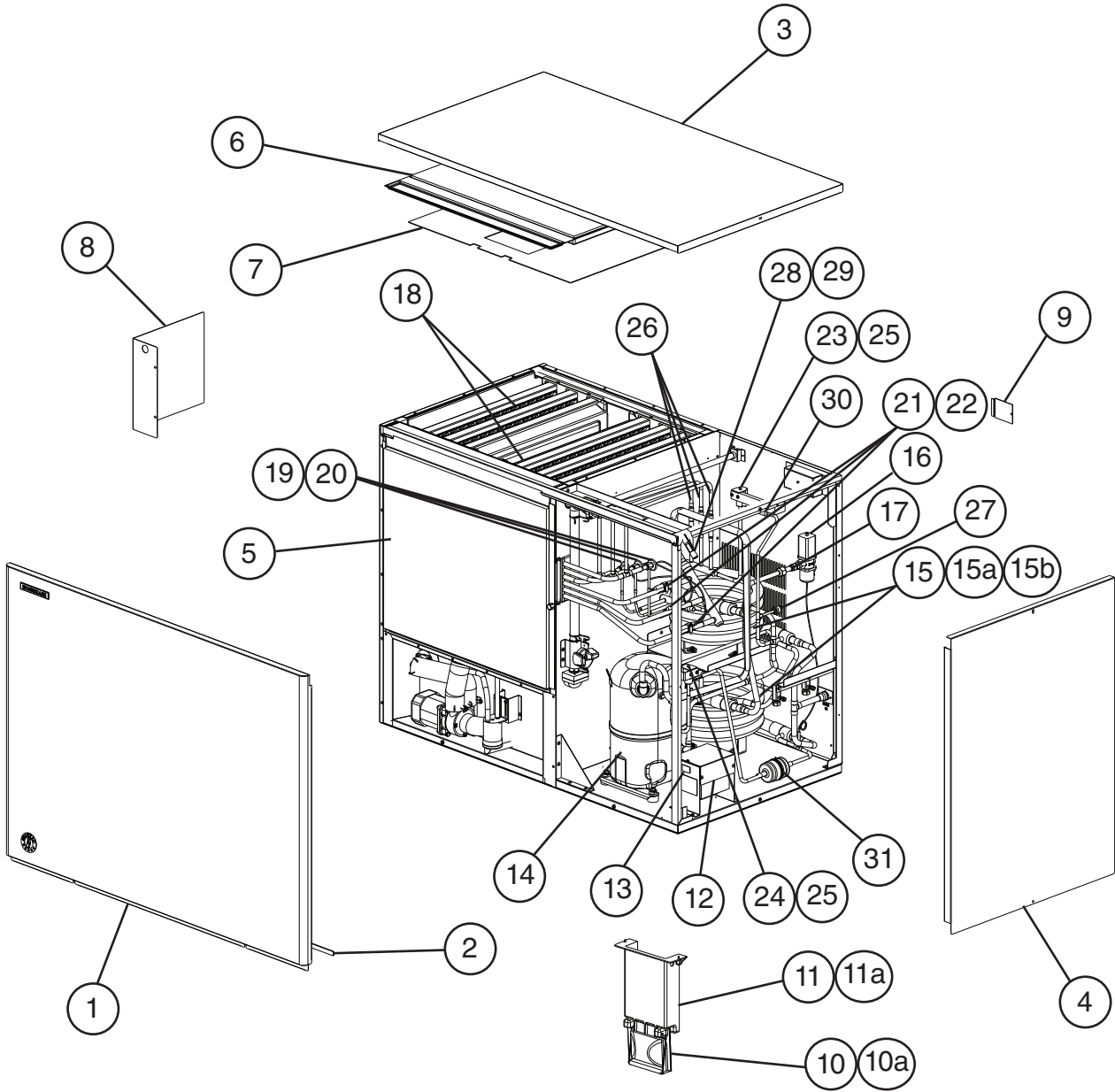
Auxiliary Code Breakdown

The auxiliary code is the first two characters in the serial number. The first character indicates the year. Years progress or regress in alphabetical order. The series runs from "A" through "V" and the letters "I" and "O" are skipped. The second character indicates significant part changes within a year. Base is "0" and this number advances for each change. In cases where there is a letter in parentheses, this designates the month. This is the last character in the serial number. The series runs from "(A)" through "(M)" and the letter "(I)" is skipped. This designation is only included when identifying a parts change within an auxiliary code.

Note About Ordering Parts

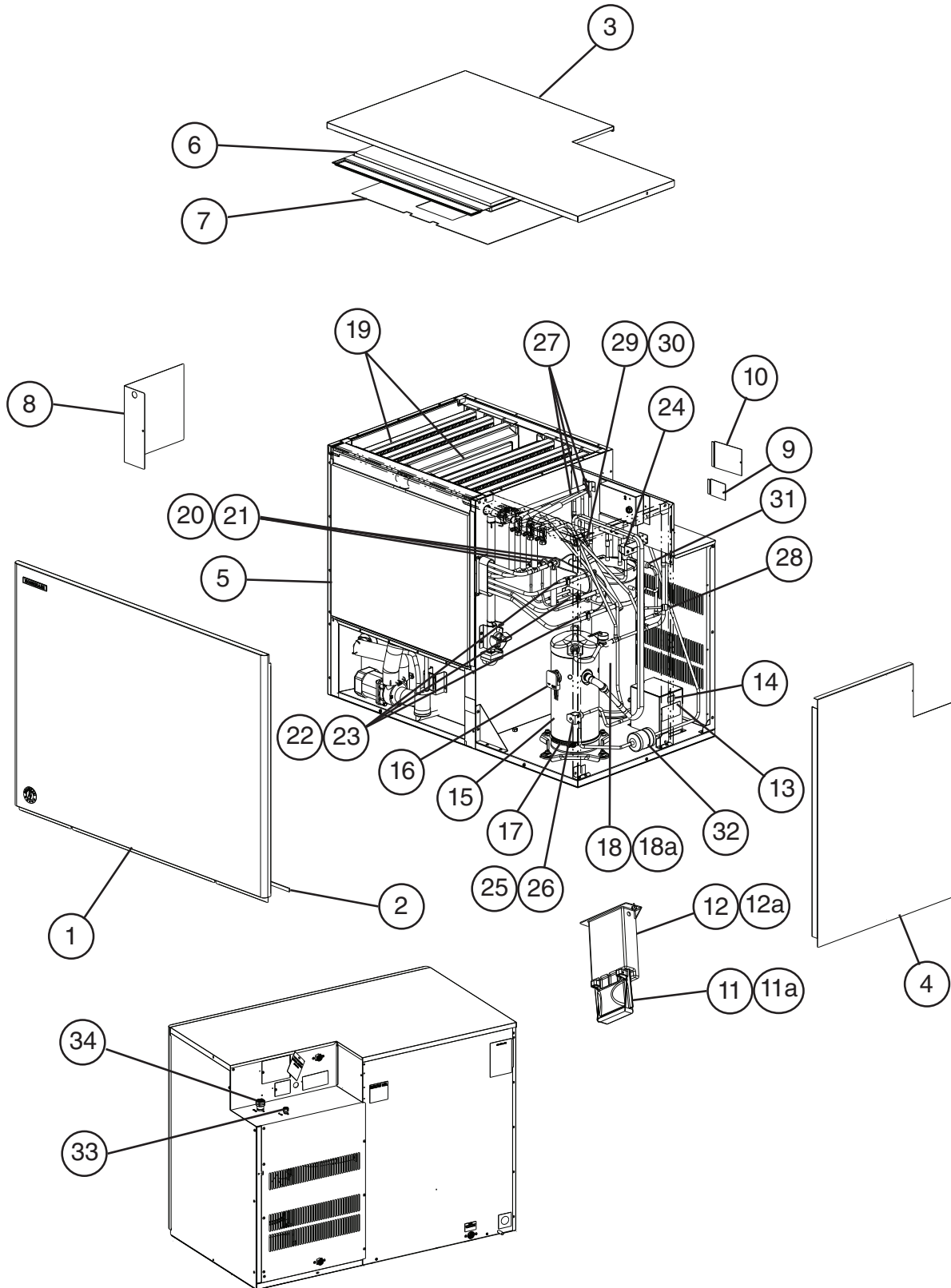
Most assemblies cannot be ordered as complete units; parts in the assemblies generally must be ordered separately.

A. Ice Cuber Assembly & Refrigeration Circuit
KM-2600SWJ3
G-0, G-1



| Title: A. Ice Cuber Assembly & Refrigeration Circuit | | | | | | | | | | | | | Model: KM-2600SWJ3 | | | | | | | | | | |
|--|--|--------------------------|-------------|-----------------|--|--|--|--|--|--|--|--|--------------------|--|--|--|--|--|--|--|--|--|--|
| Index No. | Description | Material or Model Number | Part Number | Required Number | | | | | | | | | | | | | | | | | | | |
| | | | | G-0 | | | | | | | | | | | | | | | | | | | |
| Ice Cuber Assembly | | | | | | | | | | | | | | | | | | | | | | | |
| 1 | Front Panel | | 3A1838G01 | 1 | | | | | | | | | | | | | | | | | | | |
| 2 | Gasket | | 4A0808L02 | 1 | | | | | | | | | | | | | | | | | | | |
| 3 | Top Panel | | 2A2255-01 | 1 | | | | | | | | | | | | | | | | | | | |
| 4 | Right Side Panel | | 215381G02 | 1 | | | | | | | | | | | | | | | | | | | |
| 5 | Front Insulation | | 326041G01 | 1 | | | | | | | | | | | | | | | | | | | |
| 6 | Top Insulation | | 324216G01 | 1 | | | | | | | | | | | | | | | | | | | |
| 7 | Spacer | | 324321-01 | 1 | | | | | | | | | | | | | | | | | | | |
| 8 | Control Box Cover | | 3A2386-01 | 1 | | | | | | | | | | | | | | | | | | | |
| 9 | Junction Box Cover | | 433410-01 | 1 | | | | | | | | | | | | | | | | | | | |
| 10 | Bin Control | | 2A4393G01 | 1 | | | | | | | | | | | | | | | | | | | |
| 10a | Thumbscrews | | 415949G10 | 2 | | | | | | | | | | | | | | | | | | | |
| 11 | Bin Control Mounting Bracket | | 3A5726-01 | 1 | | | | | | | | | | | | | | | | | | | |
| 11a | Thumbscrews | | 415949G10 | 2 | | | | | | | | | | | | | | | | | | | |
| 12 | Main Transformer | | 4A5695-01 | 1 | | | | | | | | | | | | | | | | | | | |
| 13 | Voltage Tap Switch | | 4A1477-01 | 1 | | | | | | | | | | | | | | | | | | | |
| Refrigeration Circuit | | | | | | | | | | | | | | | | | | | | | | | |
| 14 | Compressor | | 4A5093-03 | 1 | | | | | | | | | | | | | | | | | | | |
| 15 | Condenser | | 3A7236-01 | 2 | | | | | | | | | | | | | | | | | | | |
| 15a | Hex Head Bolt w/Washer | 5x12 | 7B0130512 | 4 | | | | | | | | | | | | | | | | | | | |
| 15b | Condenser Bracket | | 3A7864-01 | 1 | | | | | | | | | | | | | | | | | | | |
| 16 | Water Regulating Valve | | 4A0911-07 | 1 | | | | | | | | | | | | | | | | | | | |
| 17 | Male Connector | | 4A1087-01 | 1 | | | | | | | | | | | | | | | | | | | |
| 18 | Right or Left Evaporator Bank | SP-5261 | 2A8347G01 | 2 | | | | | | | | | | | | | | | | | | | |
| 19 | Thermostatic Expansion Valve | | 4A5847-01 | 3 | | | | | | | | | | | | | | | | | | | |
| 20 | Thermostatic Expansion Valve Cover | | 3A0944-01 | 3 | | | | | | | | | | | | | | | | | | | |
| 21 | Thermostatic Expansion Valve Bulb Holder | | 3A0107-01 | 3 | | | | | | | | | | | | | | | | | | | |
| 22 | Clamp | | 443461-02 | 3 | | | | | | | | | | | | | | | | | | | |
| 23 | Hot Gas Valve Body | | 4A3978-01 | 1 | | | | | | | | | | | | | | | | | | | |
| 24 | Liquid Line Valve Body | | 4A3276-01 | 1 | | | | | | | | | | | | | | | | | | | |
| 25 | Valve Coil | | 4A3277-01 | 2 | | | | | | | | | | | | | | | | | | | |
| 26 | Check Valve | | 4A2054-01 | 3 | | | | | | | | | | | | | | | | | | | |
| 27 | High-Pressure Switch | | 463180-05 | 1 | | | | | | | | | | | | | | | | | | | |
| 28 | Thermistor | | 429006-03 | 1 | | | | | | | | | | | | | | | | | | | |
| 29 | Thermistor Holder | | 438247-01 | 1 | | | | | | | | | | | | | | | | | | | |
| 30 | Strainer | | 441569-02 | 1 | | | | | | | | | | | | | | | | | | | |
| 31 | Drier | | 4A1338-01 | 1 | | | | | | | | | | | | | | | | | | | |

A. Ice Cuber Assembly & Refrigeration Circuit
KM-2600SRJ3
 G-0, G-1

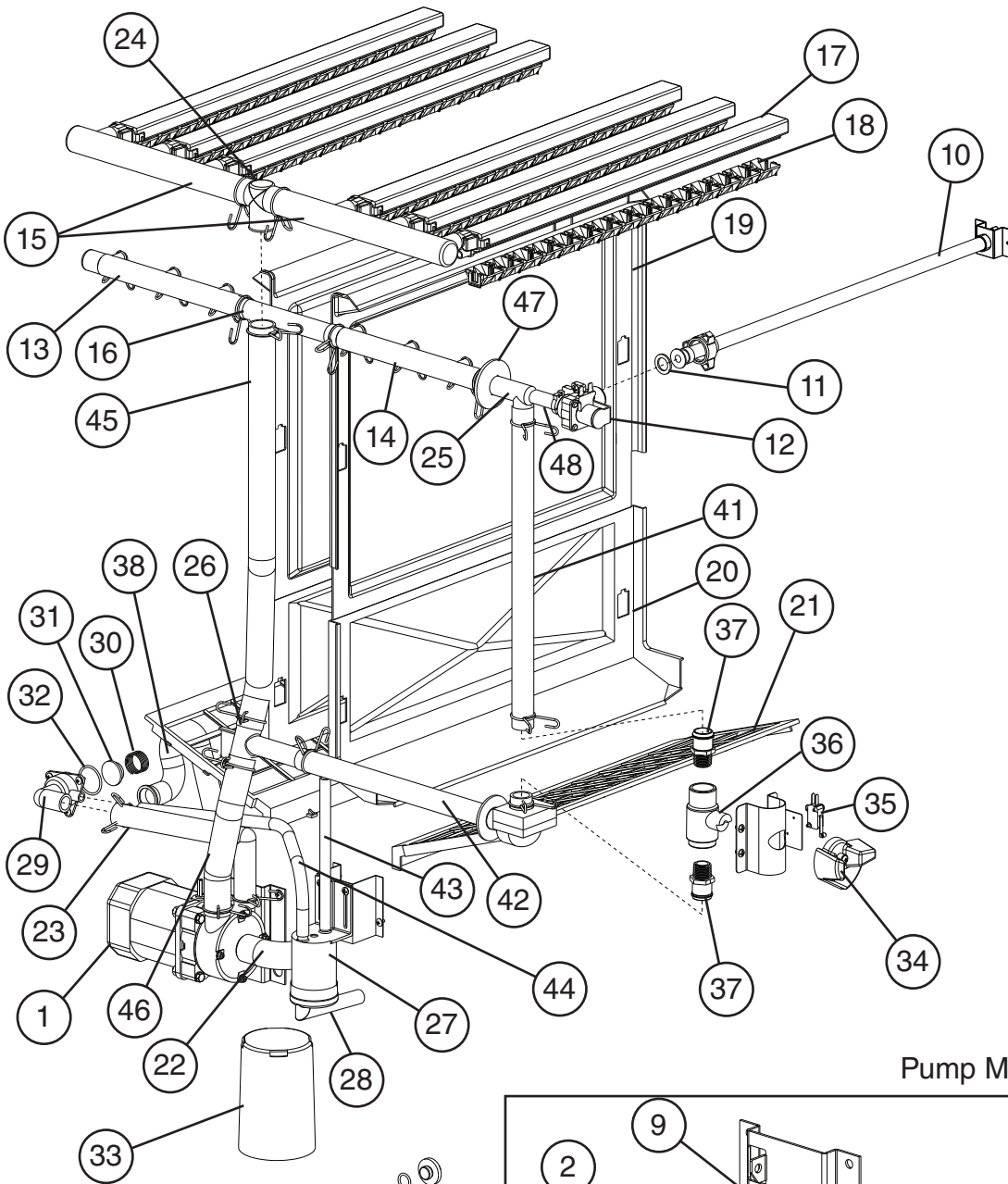


| Title: A. Ice Cuber Assembly & Refrigeration Circuit Model: KM-2600SRJ3 | | | | | | | | | | | | | |
|---|--|--------------------------|-------------|-----------------|--|--|--|--|--|--|--|--|--|
| Index No. | Description | Material or Model Number | Part Number | Required Number | | | | | | | | | |
| | | | | G-0 | | | | | | | | | |
| Ice Cuber Assembly | | | | | | | | | | | | | |
| 1 | Front Panel | | 3A1838G01 | 1 | | | | | | | | | |
| 2 | Gasket | | 4A0808L02 | 1 | | | | | | | | | |
| 3 | Top Panel | | 2A8390-01 | 1 | | | | | | | | | |
| 4 | Right Side Panel | | 2A8391-01 | 1 | | | | | | | | | |
| 5 | Front Insulation | | 326041G01 | 1 | | | | | | | | | |
| 6 | Top Insulation | | 324216G01 | 1 | | | | | | | | | |
| 7 | Spacer | | 324321-01 | 1 | | | | | | | | | |
| 8 | Control Box Cover | | 3A2386-01 | 1 | | | | | | | | | |
| 9 | Junction Box Cover (A) | | 433410-01 | 1 | | | | | | | | | |
| 10 | Junction Box Cover (B) | | 4A4661-01 | 1 | | | | | | | | | |
| 11 | Bin Control | | 2A4393G01 | 1 | | | | | | | | | |
| 11a | Thumbscrews | | 415949G11 | 2 | | | | | | | | | |
| 12 | Bin Control Mounting Bracket | | 3A5726-01 | 1 | | | | | | | | | |
| 12a | Thumbscrews | | 415949G10 | 2 | | | | | | | | | |
| 13 | Main Transformer | | 4A5695-01 | 1 | | | | | | | | | |
| 14 | Voltage Tap Switch | | 4A1477-01 | 1 | | | | | | | | | |
| Refrigeration Circuit | | | | | | | | | | | | | |
| 15 | Compressor | | 4A6007-01 | 1 | | | | | | | | | |
| 16 | Compressor Plug | | 4A5751-01 | 1 | | | | | | | | | |
| 17 | Crankcase Heater | | 4A5750-01 | 1 | | | | | | | | | |
| 18 | Receiver | | 440366-01 | 1 | | | | | | | | | |
| 18a | Hex Head Bolt w/Washer | 5x10 | 7B0130510 | 2 | | | | | | | | | |
| 19 | Right or Left Evaporator Bank | SP-5261 | 2A8347G01 | 2 | | | | | | | | | |
| 20 | Thermostatic Expansion Valve | | 4A5847-01 | 3 | | | | | | | | | |
| 21 | Thermostatic Expansion Valve Cover | | 3A0944-01 | 3 | | | | | | | | | |
| 22 | Thermostatic Expansion Valve Bulb Holder | | 3A0107-02 | 3 | | | | | | | | | |
| 23 | Clamp | | 443461-02 | 3 | | | | | | | | | |
| 24 | Hot Gas Valve Body | | 4A3978-01 | 1 | | | | | | | | | |
| 25 | Liquid Line Valve Body | | 4A3276-01 | 1 | | | | | | | | | |
| 26 | Valve Coil | | 4A3277-01 | 2 | | | | | | | | | |
| 27 | Check Valve | | 4A2054-01 | 3 | | | | | | | | | |
| 28 | High-Pressure Switch | | 463180-04 | 1 | | | | | | | | | |
| 29 | Thermistor | | 429006-03 | 1 | | | | | | | | | |
| 30 | Thermistor Holder | | 438247-01 | 1 | | | | | | | | | |
| 31 | Strainer | | 441569-02 | 1 | | | | | | | | | |
| 32 | Drier | | 4A1338-01 | 1 | | | | | | | | | |
| 33 | Liquid Line Coupling | | 426554-01 | 1 | | | | | | | | | |
| 34 | Discharge Line Coupling | | 434072-01 | 1 | | | | | | | | | |

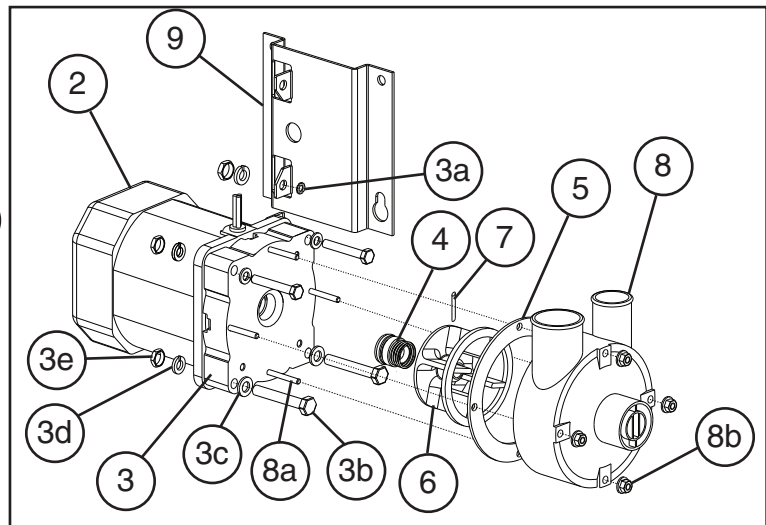
B. Water Circuit

KM-2600SWJ3, KM-2600SRJ3

G-0, G-1



Pump Motor Assembly

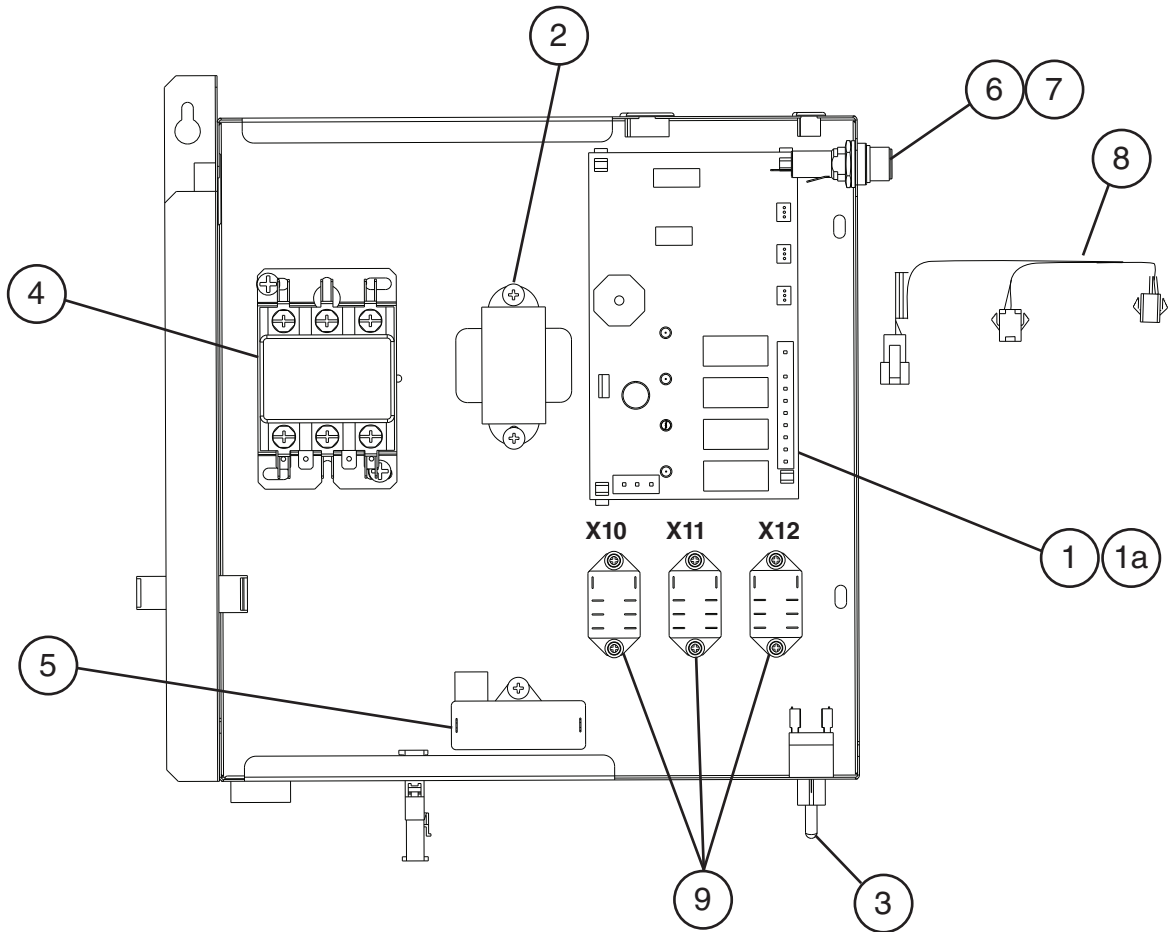


Title: B. Water Circuit Model: KM-2600SWJ3, KM-2600SRJ3

| Index No. | Description | Material or Model Number | Part Number | Required Number | | | | | | | | | | | | | | | | | |
|-----------|---|--------------------------|-------------|-----------------|-----|--|--|--|--|--|--|--|--|--|--|--|--|--|--|--|--|
| | | | | G-0 | G-1 | | | | | | | | | | | | | | | | |
| 1 | Pump Motor Assembly (includes items 2 through 8b) | S-0730 | 215692A03 | 1 | | | | | | | | | | | | | | | | | |
| 2 | Pump Motor | | 2U0106-01 | 1 | | | | | | | | | | | | | | | | | |
| 3 | Pump Flange | | 215662-01 | 1 | | | | | | | | | | | | | | | | | |
| 3a | Tooth Washer | | 7R22-0600 | 2 | | | | | | | | | | | | | | | | | |
| 3b | Hex Head Bolt | 6x40 | 7B02-0640 | 4 | | | | | | | | | | | | | | | | | |
| 3c | Flat Washer | | 7W22-0600 | 4 | | | | | | | | | | | | | | | | | |
| 3d | Split Lock Washer | | 7L22-0600 | 4 | | | | | | | | | | | | | | | | | |
| 3e | Hex Nut | | 7N12-0600 | 4 | | | | | | | | | | | | | | | | | |
| 4 | Mechanical Seal | | 4A3820-01 | 1 | | | | | | | | | | | | | | | | | |
| 5 | Packing | | 428547-01 | 1 | | | | | | | | | | | | | | | | | |
| 6 | Impeller | | 436584-01 | 1 | | | | | | | | | | | | | | | | | |
| 7 | Pin | | 4A0648-01 | 1 | | | | | | | | | | | | | | | | | |
| 8 | Pump Housing | | 213687-01 | 1 | | | | | | | | | | | | | | | | | |
| 8a | Hex Head Bolt | 4x55 | 7B02-0455 | 4 | | | | | | | | | | | | | | | | | |
| 8b | Hex Flange Nut | | 7J02-0400 | 4 | | | | | | | | | | | | | | | | | |
| 9 | Pump Motor Bracket | | 323904-01 | 1 | | | | | | | | | | | | | | | | | |
| 10 | Water Supply Pipe | | 4A0768G11 | 1 | | | | | | | | | | | | | | | | | |
| 11 | Rubber Gasket | | 413854-03 | 1 | | | | | | | | | | | | | | | | | |
| 12 | Inlet Water Valve | | 3U0111-01 | 1 | | | | | | | | | | | | | | | | | |
| 13 | Distributor Hose A | | 325738-01 | 1 | | | | | | | | | | | | | | | | | |
| 14 | Distributor Hose B | | 325738-02 | 1 | | | | | | | | | | | | | | | | | |
| 15 | Distributor Hose C | | 325739-01 | 2 | | | | | | | | | | | | | | | | | |
| 16 | Joint Pipe | | 439297-01 | 1 | | | | | | | | | | | | | | | | | |
| 17 | Spray Tube | | 437049G01 | 6 | | | | | | | | | | | | | | | | | |
| 18 | Spray Guide | | 2A4282-02 | 6 | | | | | | | | | | | | | | | | | |
| 19 | Separator A | | 215046-01 | 2 | | | | | | | | | | | | | | | | | |
| 20 | Separator B | | 2A0100-01 | 2 | | | | | | | | | | | | | | | | | |
| 21 | Cube Guide | | 214243-01 | 2 | | | | | | | | | | | | | | | | | |
| 22 | Hose A | | 435091-01 | 1 | | | | | | | | | | | | | | | | | |
| 23 | Hose B | | 325867-01 | 1 | | | | | | | | | | | | | | | | | |
| 24 | Distributor A (Tee) | | 439266-01 | 1 | | | | | | | | | | | | | | | | | |
| 25 | Distributor B (Tee) | | 439239-01 | 1 | | | | | | | | | | | | | | | | | |
| 26 | Distributor C (Tee) | | 439238-01 | 1 | | | | | | | | | | | | | | | | | |
| 27 | Float Switch | | 4A3624-01 | 1 | | | | | | | | | | | | | | | | | |
| 28 | Float Switch Connector | | 426799-04 | 1 | | | | | | | | | | | | | | | | | |
| 29 | Drain Valve Housing | | 323613-01 | 1 | | | | | | | | | | | | | | | | | |
| 30 | Drain Valve Seat | | 433705-01 | 1 | | | | | | | | | | | | | | | | | |
| 31 | Drain Valve Spring | | 322110-01 | 1 | | | | | | | | | | | | | | | | | |
| 32 | Drain Valve O-Ring | | 7611-G035 | 1 | | | | | | | | | | | | | | | | | |
| 33 | Overflow Cap | | 325866-01 | 1 | | | | | | | | | | | | | | | | | |
| 34 | Drain Plug | | 309246-01 | 1 | | | | | | | | | | | | | | | | | |
| 35 | Drain Plug O-Ring | | 7611-P015 | 1 | | | | | | | | | | | | | | | | | |
| 36 | Cleaning Valve Handle | | 215383-01 | 1 | | | | | | | | | | | | | | | | | |
| 37 | Cleaning Valve Microswitch | | 4A2546-01 | 1 | | | | | | | | | | | | | | | | | |
| 38 | Cleaning Valve Ball Valve | | 439293-01 | 1 | | | | | | | | | | | | | | | | | |
| 39 | Cleaning Valve Male Adaptor | | 325826-01 | 2 | | | | | | | | | | | | | | | | | |
| 40 | Drain Hose | | 325869-01 | 1 | | | | | | | | | | | | | | | | | |
| 41 | Joint Hose | | 439309-01 | 1 | | | | | | | | | | | | | | | | | |

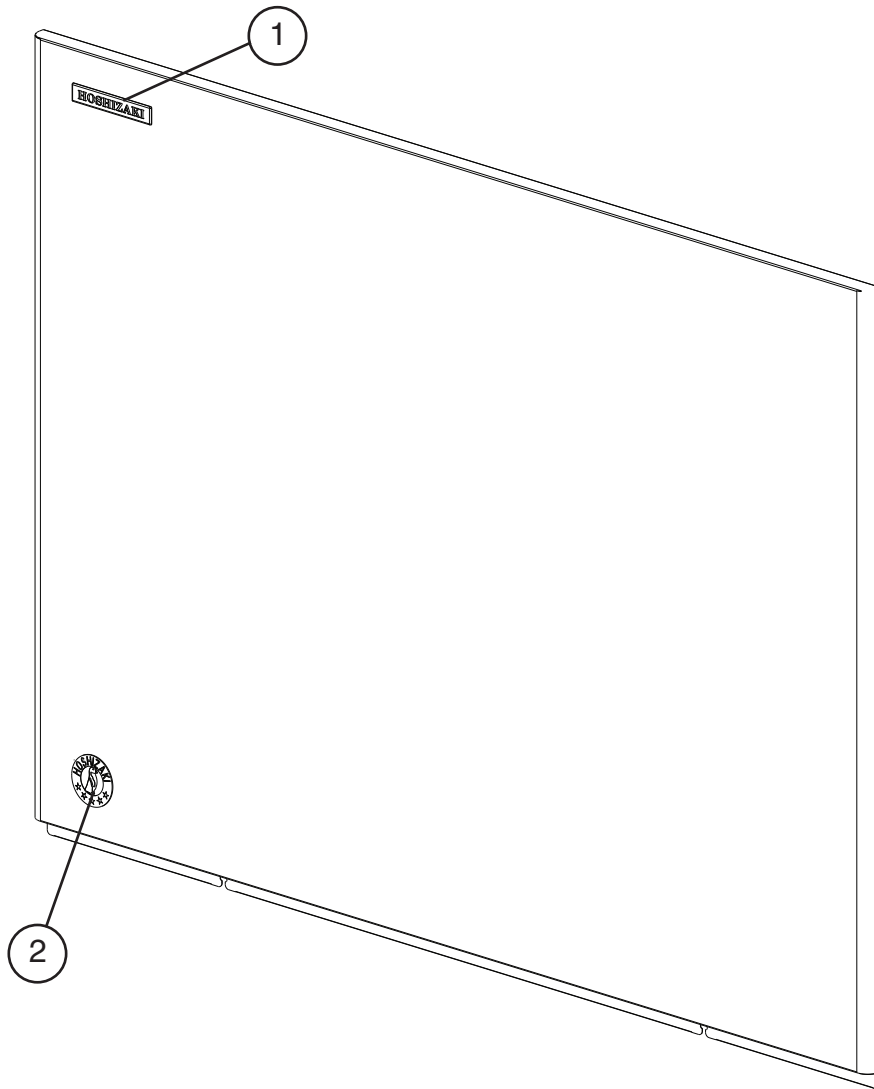
| Title: B. Water Circuit Model: KM-2600SWJ3, KM-2600SRJ3 | | | | | | | | | | | | |
|--|---------------|--------------------------|-------------|-----------------|--|--|--|--|--|--|--|--|
| Index No. | Description | Material or Model Number | Part Number | Required Number | | | | | | | | |
| | | | | G-0 | | | | | | | | |
| 42 | Bypass Hose | | 439237-02 | 1 | | | | | | | | |
| 43 | Silicone Hose | L=190 mm | 7730I3812 | 1 | | | | | | | | |
| 44 | Silicone Hose | L=430 mm | 7730I3896 | 1 | | | | | | | | |
| 45 | Vinyl Hose | L=550 mm | 7716-2732 | 1 | | | | | | | | |
| 46 | Vinyl Hose | L=230 mm | 7716-2732 | 1 | | | | | | | | |
| 47 | Flange | | 439267-02 | 1 | | | | | | | | |
| 48 | Vinyl Hose | L=40mm | 7716-1519 | | | | | | | | | |
| Hose Clamps | | | | | | | | | | | | |
| | Hose Clamp | 25 mm | 427443-03 | 9 | | | | | | | | |
| | Hose Clamp | =13.5 mm | 427443-07 | 6 | | | | | | | | |
| | Hose Clamp | 32 mm | 427443-09 | 6 | | | | | | | | |

C. Control Box Assembly
KM-2600SWJ3, KM-2600SRJ3
 G-0, G-1



| Title: C. Control Box Assembly Model: KM-2600SWJ3, KM-2600SRJ3 | | | | | | | | | | | | |
|--|--------------------------|--------------------------|-------------|-----------------|-----|--|--|--|--|--|--|--|
| Index No. | Description | Material or Model Number | Part Number | Required Number | | | | | | | | |
| | | | | G-0 | G-1 | | | | | | | |
| 1 | Control Board | | 2A7664-01 | 1 | - | | | | | | | |
| | | | 2A7664-02 | | 1 | | | | | | | |
| 1a | Control Board Support | | 4A0336-03 | 4 | 4 | | | | | | | |
| 2 | Control Transformer | | 3A0172-01 | 1 | 1 | | | | | | | |
| 3 | Control Switch | | 443119-01 | 1 | 1 | | | | | | | |
| 4 | Magnetic Contactor | KM-2600SWJ3 | 4A0794-02 | 1 | 1 | | | | | | | |
| | | KM-2600SRJ3 | 4A0794-01 | 1 | 1 | | | | | | | |
| 5 | Pump Motor Capacitor | 15MFD, 240VAC | 439705-01 | 1 | 1 | | | | | | | |
| 6 | Fuse Holder | | 4A5443-01 | 1 | 1 | | | | | | | |
| 7 | Fuse | ACG-10A 250VAC | 4A0893-07 | 1 | 1 | | | | | | | |
| 8 | Bin Control Wire Harness | | 4A5197G01 | 1 | 1 | | | | | | | |
| 9 | Relay (X10, X11, X12) | | 406132-07 | 3 | 3 | | | | | | | |

D. Accessories & Labels
KM-2600SWJ3, KM-2600SRJ3
 G-0, G-1



| Title: D. Accessories & Labels Model: KM-2600SWJ3, KM-2600SRJ3 | | | | | | | | | | | |
|--|------------------|--------------------------|-------------|-----------------|-----|--|--|--|--|--|--|
| Index No. | Description | Material or Model Number | Part Number | Required Number | | | | | | | |
| | | | | G-0 | G-1 | | | | | | |
| 1 | Hoshizaki Emblem | | 4A0560-01 | 1 | | | | | | | |
| 2 | Penguin Label | | 475552L02 | 1 | | | | | | | |
| 3 | Universal Brace | | 4A0363-01 | 2 | | | | | | | |