

# Hoshizaki America, Inc.

## Self-Contained Crescent Cuber

Models  
KM-255BAH



"A Superior Degree  
of Reliability"

[www.hoshizaki.com](http://www.hoshizaki.com)

## PARTS LIST



Number: 71260  
Issued: 12-11-2006

## CONTENTS

Auxiliary Codes.....	3
Note About Ordering Parts .....	3
Material Abbreviations .....	4
A. Ice Cuber Assembly .....	5
KM-255BAH .....	5
B. Refrigeration Circuit.....	9
KM-255BAH .....	9
C. Water Circuit.....	12
KM-255BAH .....	12
D. Control Box Assembly .....	15
KM-255BAH .....	15
E. Electrical Box Assembly .....	16
KM-255BAH .....	16
F. Door Assembly.....	17
KM-255BAH .....	17
G. Label Location.....	18
KM-255BAH .....	18
H. Accessories and Packaging .....	20
KM-255BAH .....	20

## Auxiliary Codes

KM-255BAH R-0 November 2006

### Auxiliary Code Breakdown

K-0

- └─ Designates the year. "K" indicates the year 2000. Years progress or regress in alphabetical order. "J" is 1999, "L" is 2001, "M" is 2002, and so on. The letters "I" and "O" were skipped.
- └─ Designates significant part changes within the same year for this model. Base is 0 and this number advances for each change.

Example: P-1

- └─ "P" indicates 2004.
- └─ "1" indicates the first significant part change for 2004.

### Note About Ordering Parts

Most assemblies cannot be ordered as complete units; parts in the assemblies generally must be ordered separately.

## Material Abbreviations

### ALUMINUM

AL = Aluminum

### COPPER

CU = Copper

### PLASTIC

ABS = Acrylonitrile -butadiene - styrene  
AC = Polyacetal  
EVA = Ethylene vinyl acetate  
PA = Polyamide = Nylon  
PC = Polycarbonate  
PE = Polyethylene  
PES = Polyester  
PETP = Polyethylene terephthalate = Tetlon  
PP = Polypropylene  
PS = Polystyrene  
PTFE = Polytetrafluoroethylene = Teflon  
PUR = Polyurethane  
PVC = Polyvinyl chloride

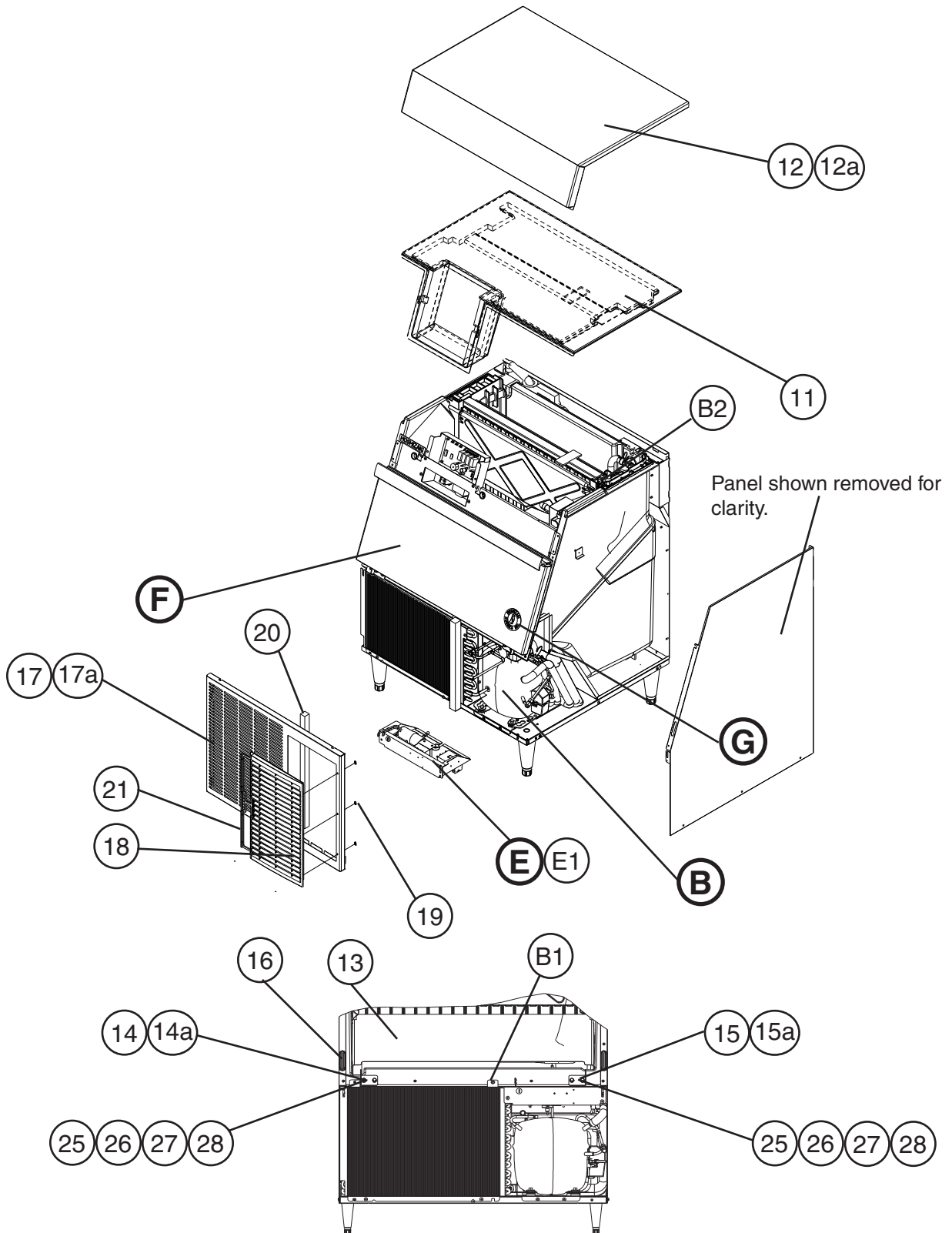
### RUBBER

VN = Vinyl Nitrile  
EPDM = EP rubber  
NBR = Nitrile butadiene rubber  
NR = Natural rubber  
NP = Neoprene  
SI.R = Silicone rubber  
SY.R = Synthetic rubber  
EPH = Epichlorohydrin

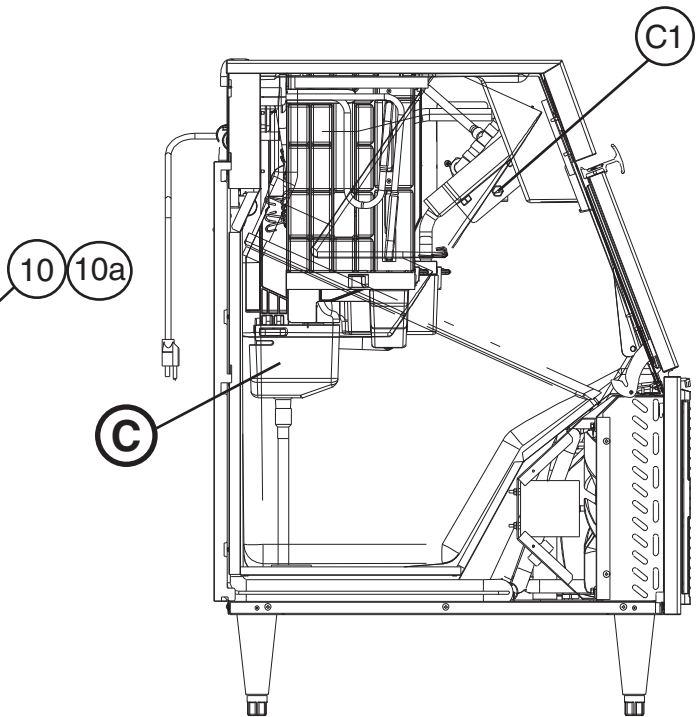
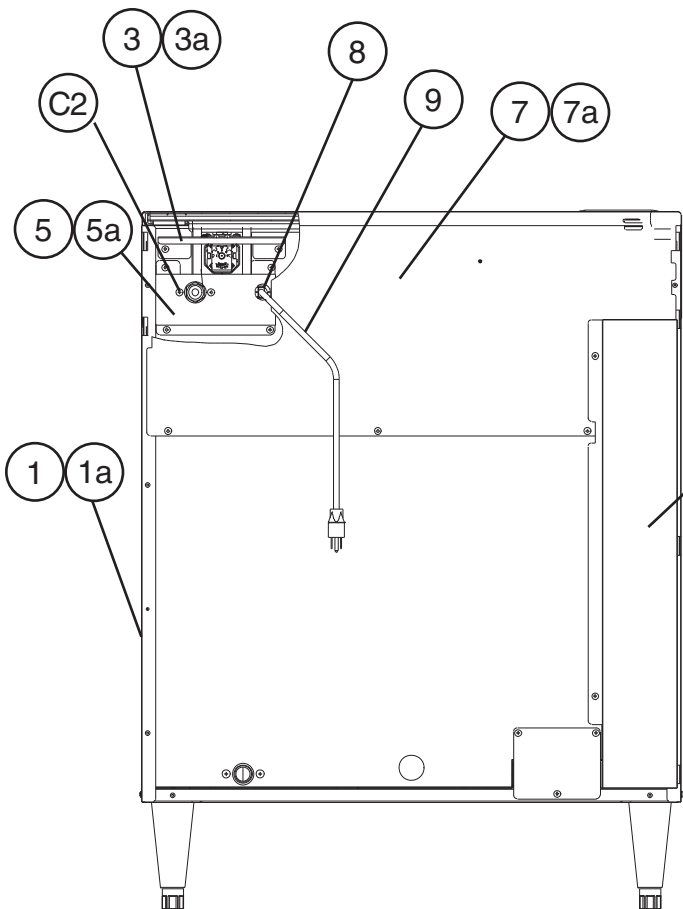
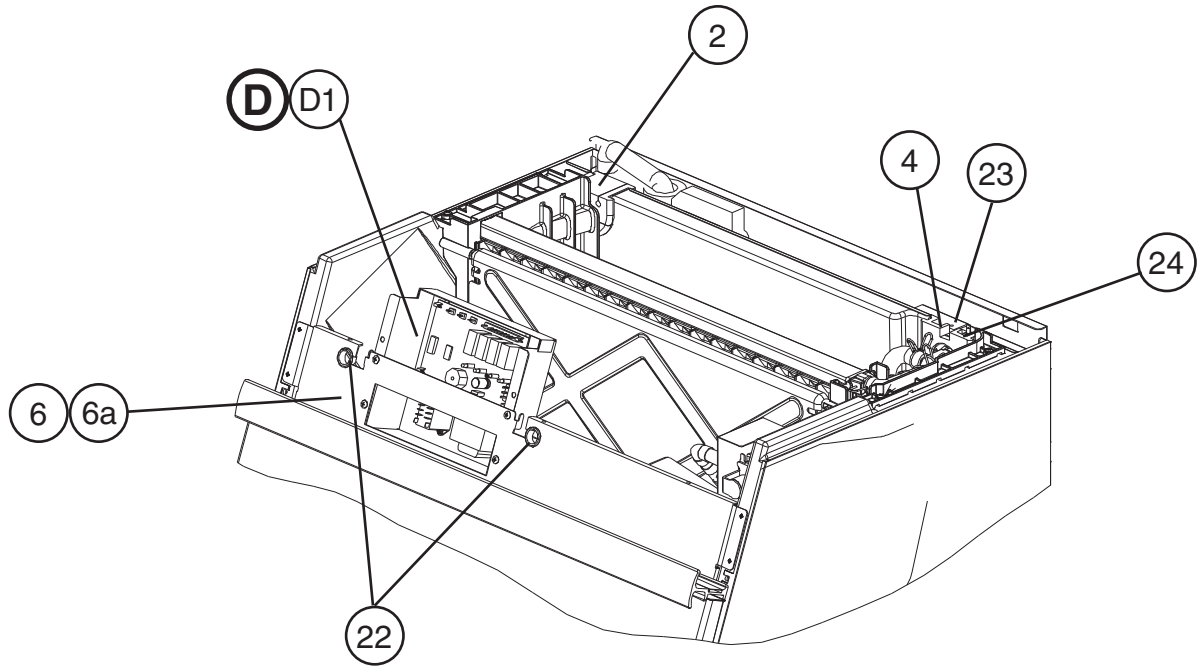
### STEEL

GS = Galvanized steel  
SS = Stainless steel  
PS = Plated steel  
PAS = Primed steel

**A. Ice Cuber Assembly**  
**KM-255BAH**  
**1/2**  
 R-0



**A. Ice Cuber Assembly**  
**KM-255BAH**  
**2/2**  
 R-0



Title: **A. Ice Cuber Assembly** Model: **KM-255BAH**

Index No.	Description	Material or Model Number	Part Number	R-0	Required Number															
B	Refrigeration Circuit	-	1A1035A02	1																
B1	T2 Screw	4x12 SS	7P32-0412	2																
B2	Truss Head Screw	4x16 SS	7C32-0416	4																
C	Water Circuit	HS-1204	1A1034A01	1																
C1	Thumbscrew	-	415949G10	1																
C2	T2 Screw (See C. Water Circuit item 16)	4x8 SS	7P32-0408	2																
D	Control Box Assembly	-	3A3413A01	1																
D1	T2 Screw	4x8 SS	7P32-0408	4																
E	Electrical Box Assembly	-	3A3400A02	1																
E1	T2 Screw	4x8 SS	7P32-0408	2																
F	Door Assembly	-	3A3415A02	1																
G	Label Location	-	3A3429A02	1																
1	Body Assembly	-	1A1043G01	1																
1a	T2 Screw	4x8 SS	7P32-0408	9																
2	Grommet - Pipe	-	3A3387-01	1																
3	Bracket - Cleaning Valve	-	4A3703-01	1																
3a	T2 Screw	4x8 SS	7P32-0408	2																
4	Grommet - Cleaning Valve	-	3A3390-01	1																
5	Bracket - Water Inlet	-	4A4120G01	1																
5a	T2 Screw	4x8 SS	7P32-0408	2																
6	Top Frame	-	2A3369-02	1																
6a	Truss Head Screw	4x12 SS	7P32-0412	4																
7	Rear Panel	-	3A3397-02	1																
7a	T2 Screw	4x8 SS	7P32-0408	2																
8	Bushing	SR-7K-2	420472-02	1																
9	Power Supply Cord	15 AMP 125V	4A1773-01	1																
10	Rear Cover	-	3A3399-01	1																
10a	T2 Screw	4x8 SS	7P32-0408	2																
11	Top Insulation Assembly	-	2A3833G02	1																
12	Top Panel	-	1A1026-02	1																
12a	Truss Head Screw	4x12 SS	7C32-0412	2																
13	Slope	-	3A4121-02	1																
14	Hinge (L)	-	4A3690-01	1																
14a	Hex Bolt w/Washer	5x20 SS (LF)	7B0230520	2																
15	Hinge (R)	-	4A3690-02	1																
15a	Hex Bolt w/Washer	5x20 SS (LF)	7B0230520	2																
16	Hinge Guide	-	3A4159-01	2																
17	Front Panel	-	2A3376-01	1																
17a	Truss Head Screw	4x12 SS	7C32-0412	2																
18	Louver (A)	-	1A0547-01	1																
19	Push - Retainer	PS125306PG	4A2414-01	3																
20	Insulation - Front Panel	-	4A3706-01	1																
21	Air Filter (A) Large	-	2A2062G01	1																

Title: **A. Ice Cuber Assembly** Model: **KM-255BAH**

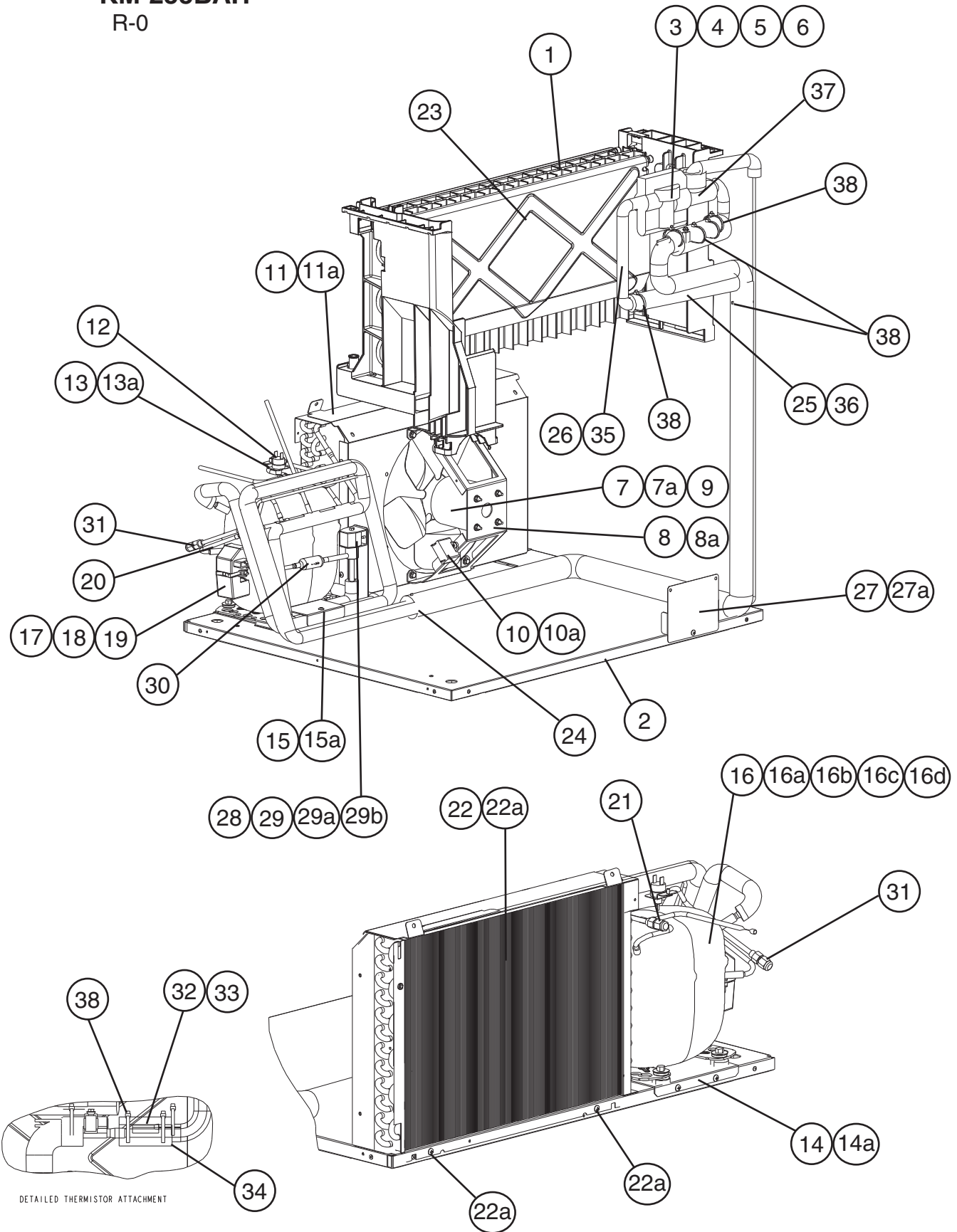
Index No.	Description	Material or Model Number	Part Number	Required Number									
				R-0									
22	Bushing	OCB-875	428394-04	2									
23	Screw - Ground	4x8	7C32-0408	1									
24	Screw - Ground Pump Motor	4x8	7C32-0408	1									
25	Door Spacer (A)	SS (0.5)mm	4A4124-01	As Required									
26	Door Spacer (B)	SS (0.6)mm	4A4124-02										
27	Door Spacer (C)	SS (0.8)mm	4A4124-03										
28	Door Spacer (D)	SS (1.0)mm	4A4124-04										



# B. Refrigeration Circuit

## KM-255BAH

R-0

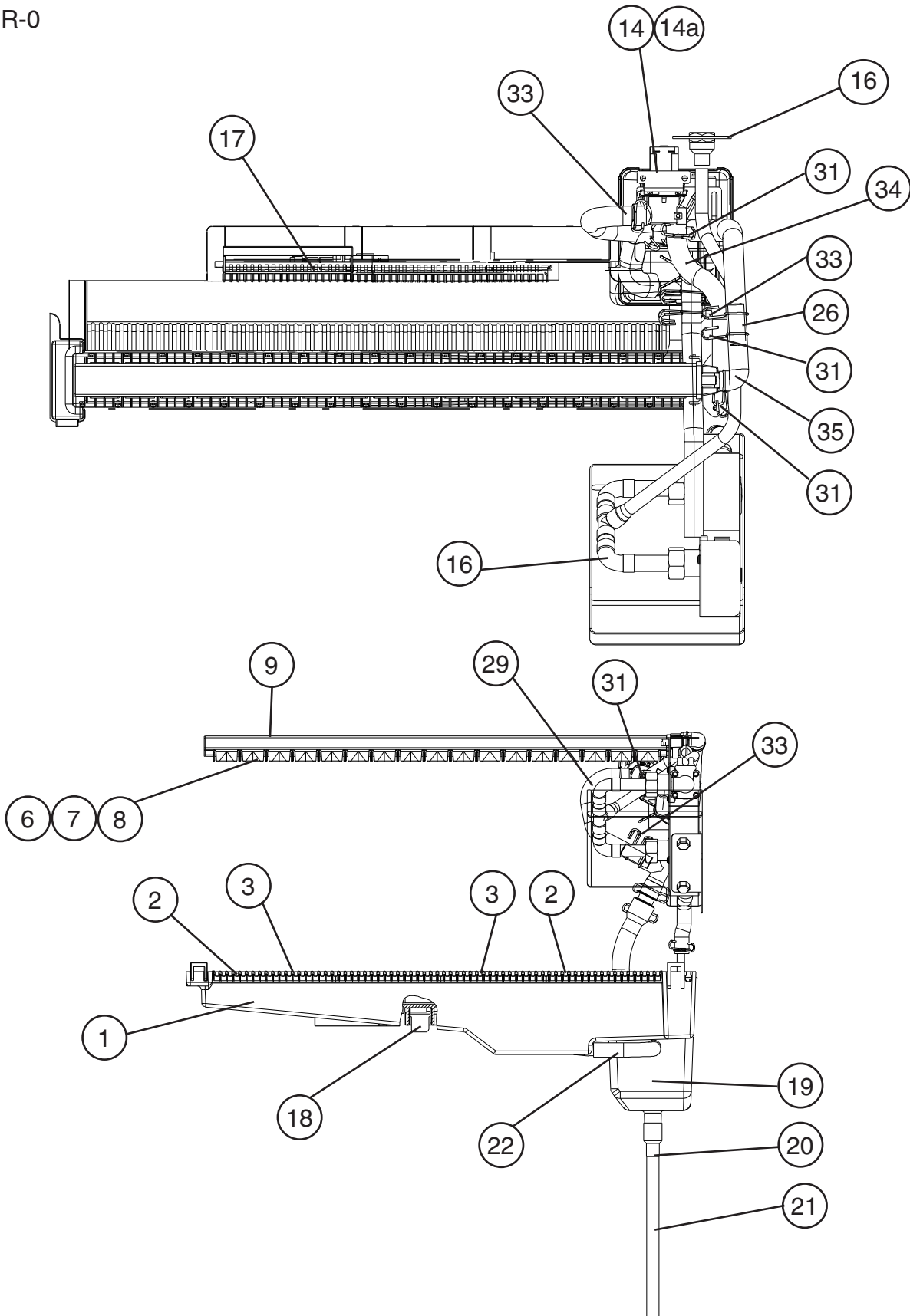


Title: **B. Refrigeration Circuit** Model: **KM-255BAH**

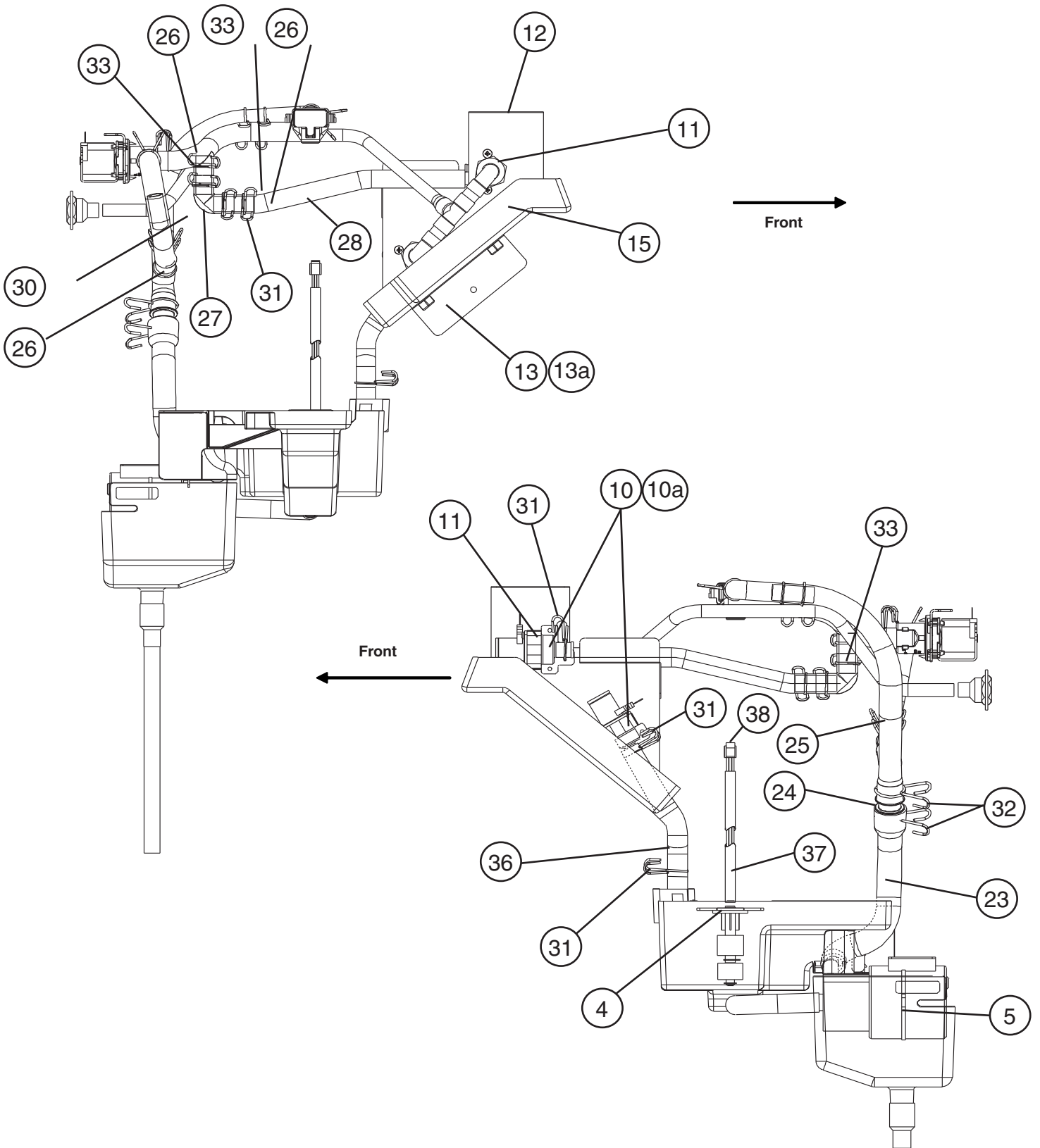
Index No.	Description	Material or Model Number	Part Number	Required Number									
				R-0									
1	Evaporator Assembly	-	1A1033G01	1									
2	Base	-	3A3447G02	1									
3	Expansion Valve	-	4A1838-02	1									
4	Expansion Valve Cover	-	4A1168-01	1									
5	Holder Expansion Valve - 3/8	-	3A0107-01	1									
6	Clamp	-	443461-02	1									
7	Fan Motor	-	4A3158-01	1									
7a	Self - Locking Nut	NO.8-32	7N2110832	4									
8	Fan Motor Bracket	-	3A3436-01	1									
8a	Hex Bolt	5x12 SS	7B0230512	4									
9	Fan Blade	-	444898-01	1									
10	Fan Capacitor	5.0MFD, 250V	443192-02	1									
10a	T2 Screw	4x8 SS	7P32-0408	1									
11	Shroud	-	3A3435G02	1									
11a	T2 Screw	4x8 SS	7P32-0408	4									
12	Pressure Switch	-	433441-07	1									
13	Pressure Switch Bracket	GS	434938-01	1									
13a	T2 Screw	4x8 SS	7P32-0408	1									
14	Base - Compressor	-	3A3412G01	1									
14a	T2 Screw	4x8 SS	7P32-0408	2									
15	Clamp - Copper Tube	-	4A3708-01	1									
15a	T2 Screw	4x8 SS	7P32-0408	1									
16	Compressor	SC12MLX	4A3677-01	1									
16a	Rubber Grommet	-	4A1452-01	4									
16b	Sleeve	-	4A1451-01	4									
16c	Washer	-	4A1450-01	4									
16d	Bolt	-	4A1459-01	4									
17	Protector	-	4A3679-01	1									
18	Protector Retainer	-	4A3680-01	1									
19	Terminal Cover	-	4A2141-01	1									
20	Copper Tube - High Side	(includes items: 28, 29, 29a, 30, 31)	2A3381G02	1									
21	Copper Tube - Access Valve	-	3A3403G01	1									
22	Condenser	-	2A3404-01	1									
22a	T2 Screw	4x8 SS	7P32-0408	2									
23	Separator	-	2A3356-02	2									
24	Heat Exchanger	-	2A3388G01	1									
25	Drier	DY-15QHD-5	458776-01	1									
26	Copper Tube (J) - High Side	-	4A3697-01	1									
27	Plate - Inlet Fitting	-	4A3701-01	1									
27a	T2 Screw	4x8 SS	7P32-0408	1									
28	Valve Body (hot gas)	(included in item 20: 2A3381G02)	4A3978-01	1									

Title: <b>B. Refrigeration Circuit</b> Model: <b>KM-255BAH</b>												
Index No.	Description	Material or Model Number	Part Number	Required Number								
				R-0								
29	Coil - Valve	(included in item 20: 2A3381G02)	4A3277-01	1								
29a	Bolt	(included in item 20: 2A3381G02)	4A3277F01	1								
29b	Truss Head Screw	4x8 SS	7C32-0408	2								
30	Strainer	(included in item 20: 2A3381G02)	441569-02									
31	Access Valve (high side)	(included in item 20: 2A3381G02)	457729-01	1								
32	Thermistor	-	429006-03	1								
33	Holder - Thermistor	COPPER	436455-01	1								
34	Insulation - Thermistor	-	427441-01	1								
35	Insulation Tube	L=255	7762-1020	1								
36	Insulation Tube	L=285	7762-2030	1								
37	Connection Tee Cover	-	4A1379-01	1								
38	Nylon Tie	PLT2S-M	8911-0200	6								

**C. Water Circuit**  
**KM-255BAH**  
**1/2**  
R-0



**C. Water Circuit**  
**KM-255BAH**  
**2/2**  
**R-0**



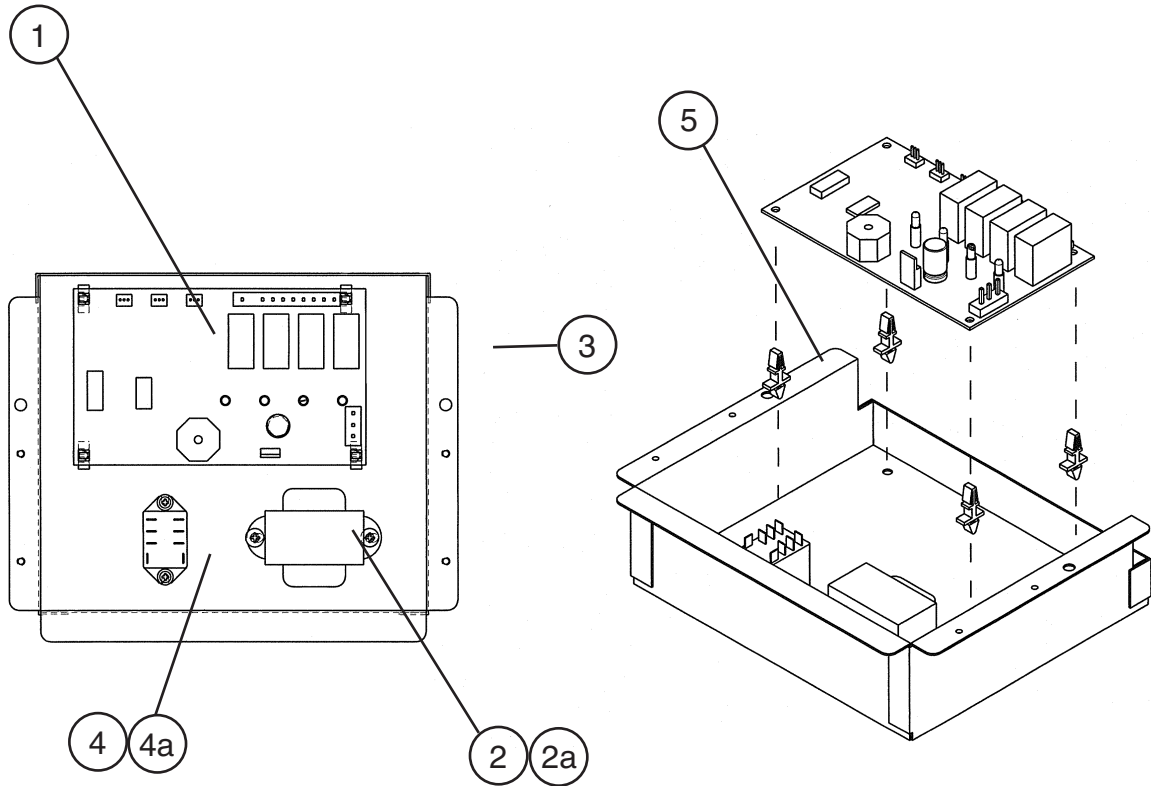
Title: **C. Water Circuit** Model: **KM-255BAH**

Index No.	Description	Material or Model Number	Part Number	R-0	Required Number								
1	Water Tank	-	1A1023-01	1									
2	Cube Guide (A)	-	2A3362-01	2									
3	Cube Guide (B)	-	2A3363-01	2									
4	Float Switch	-	435490-02	1									
5	Pump Motor	-	463998-01	1									
6	Spray Guide (A)	5 cups	208586-01	2									
7	Spray Guide (C)	4 cups	208586-03	1									
8	Spray Guide (D)	3 cups	208586-04	1									
9	Spray Tube	-	4A3715G01	1									
10	Water Valve	-	3U0152-01	2									
10a	Truss Head Screw	4x8 SS	7C32-0408	4									
11	Rubber Gasket	-	413854-03	2									
12	Bracket - Water Valve	-	3A3409-01	1									
13	Bracket - Water Pan	-	4A3710-01	1									
13a	Thumbscrew	-	415949G10	2									
14	Solenoid Valve	Wash	4A3722-01	1									
14a	Truss Head Screw	4x12	7P32-0412	2									
15	Water Pan	-	3A3396-01	1									
16	Water Supply Pipe	Mounting screws found in A. Ice Cuber Assembly Item C2	2A3370G01	1									
17	Detector Assembly (bin control)	-	3A3993G01	1									
18	Switch Housing	-	4A3755-01	1									
19	Drain Pan	-	3A3388-01	1									
20	Drain Tube	-	4H2585-01	1									
21	Frame - Pipe	-	4X8068-01	1									
22	Suction Hose	-	4A3685-01	1									
23	Discharge Hose (A)	-	3A3393-01	1									
24	Joint Pipe	ABS White	4A3686-02	1									
25	Discharge Hose (B)	-	3A3394-01	1									
26	Joint Pipe	13 MM ID	439329-01	4									
27	Elbow	EPDM/(Black)	433467-01	1									
28	Vinyl Hose	L=245	7716-1519	1									
29	Vinyl Hose	L=250	7716-1519	2									
30	Vinyl Hose	L=190	7725-0912	1									
31	Hose Clamp	18 MM SS	427443-05	8									
32	Hose Clamp	25 MM SS	427443-03	2									
33	Hose Clamp	20 MM SS	427443-06	6									
34	Water Supply Hose	-	3A3395-01	1									
35	Elbow	-	4A3687-01	1									
36	Vinyl Hose	L=130	7716-1519	1									
37	Silicon Hose	L=750	7730-0810	1									
38	Connector - JST Connector	Black	4A2518-03	1									

# D. Control Box Assembly

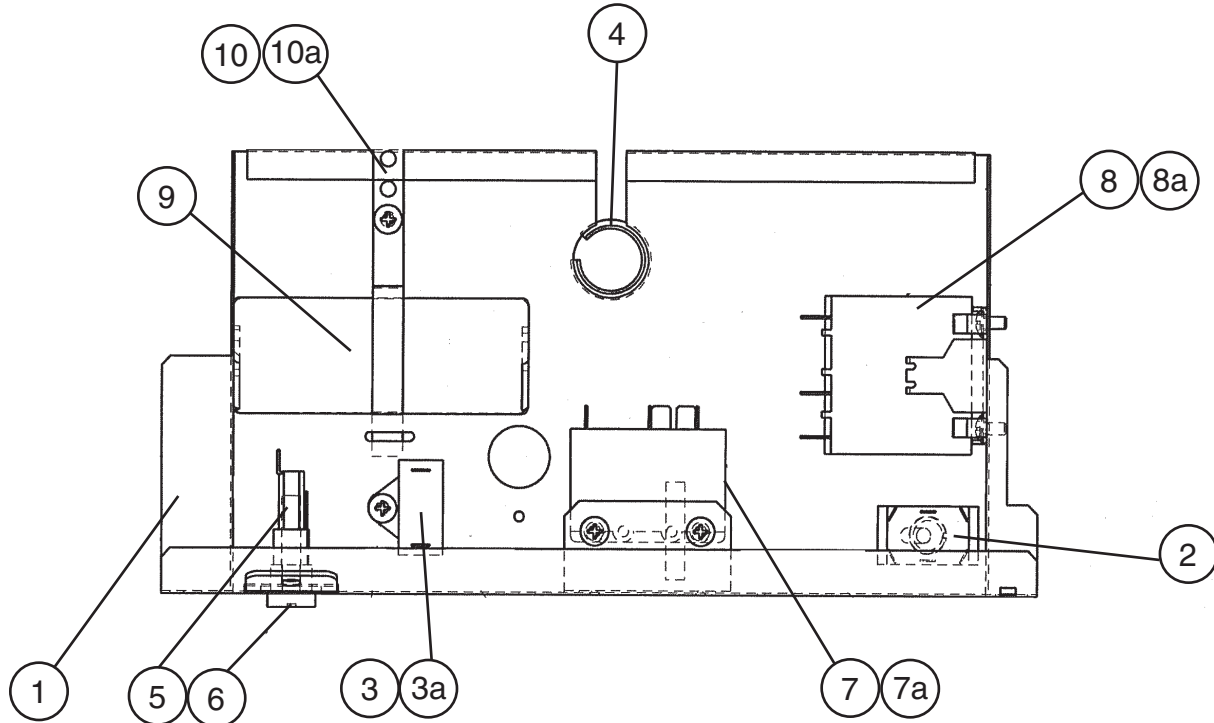
## KM-255BAH

R-0



Title: D. Control Box Assembly Model: KM-255BAH					Required Number								
Index No.	Description	Material or Model Number	Part Number	R-0									
1	Control Board	-	2A3792-01	1									
2	Transformer	26D285H	3A0172-01	1									
2a	T2 Screw	4x8	7P31-0408	2									
3	Control Board Box	-	3A3411-01	1									
4	Fan Relay	LY2F AC 120V	406132-07	1									
4a	Tapping Screw	-	431415-01	2									
5	Board Support	CBLS37-M	4A0336-03	4									

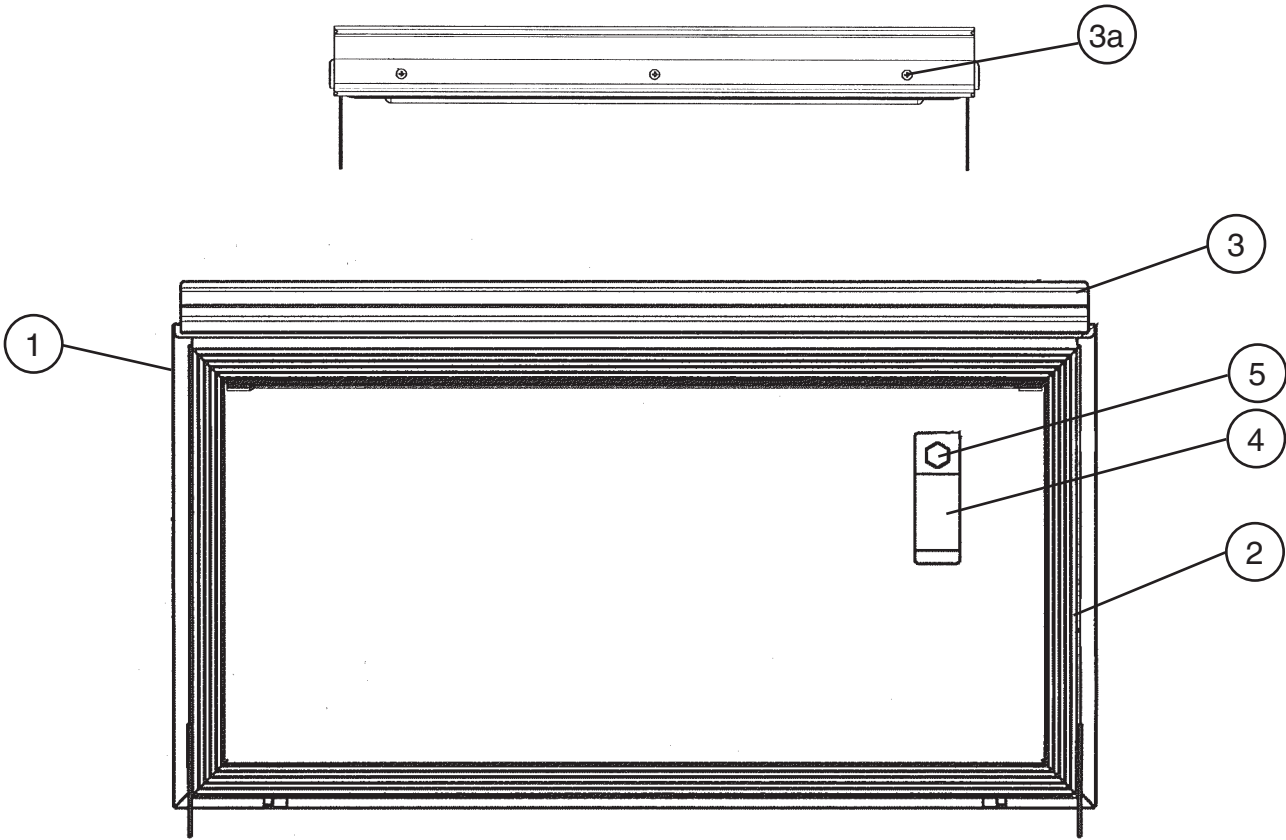
**E. Electrical Box Assembly**  
**KM-255BAH**  
 R-0



Title: E. Electrical Box Assembly Model: KM-255BAH															
Index No.	Description	Material or Model Number	Part Number	Required Number											
				R-0											
1	Electrical Box	GS	4A3705G01	1											
2	Toggle Switch	(Eaton 8966k84)	443119-01	1											
3	Capacitor (Pump)	-	463047-01	1											
3a	T2 Screw	4x10	7P31-0410	1											
4	Bushing	Ocb-1000	428394-05	1											
5	Fuse Holder	HTB92I 1/4x1-1/4	4A0892-01	1											
6	Fuse	AGC 10	4A0893-07	2											
7	Starter	117-7441	4A3683-01	1											
7a	T2 Screw	4x8	7P31-0408	2											
8	Magnetic Contactor	-	428393-01	1											
8a	T2 Screw	4x8	7P31-0408	1											
9	Capacitor - Starting	-	4A3977-01	1											
10	Strap	GS	4A2262-01	1											
10a	T2 Screw	4x8	7P31-0408	1											

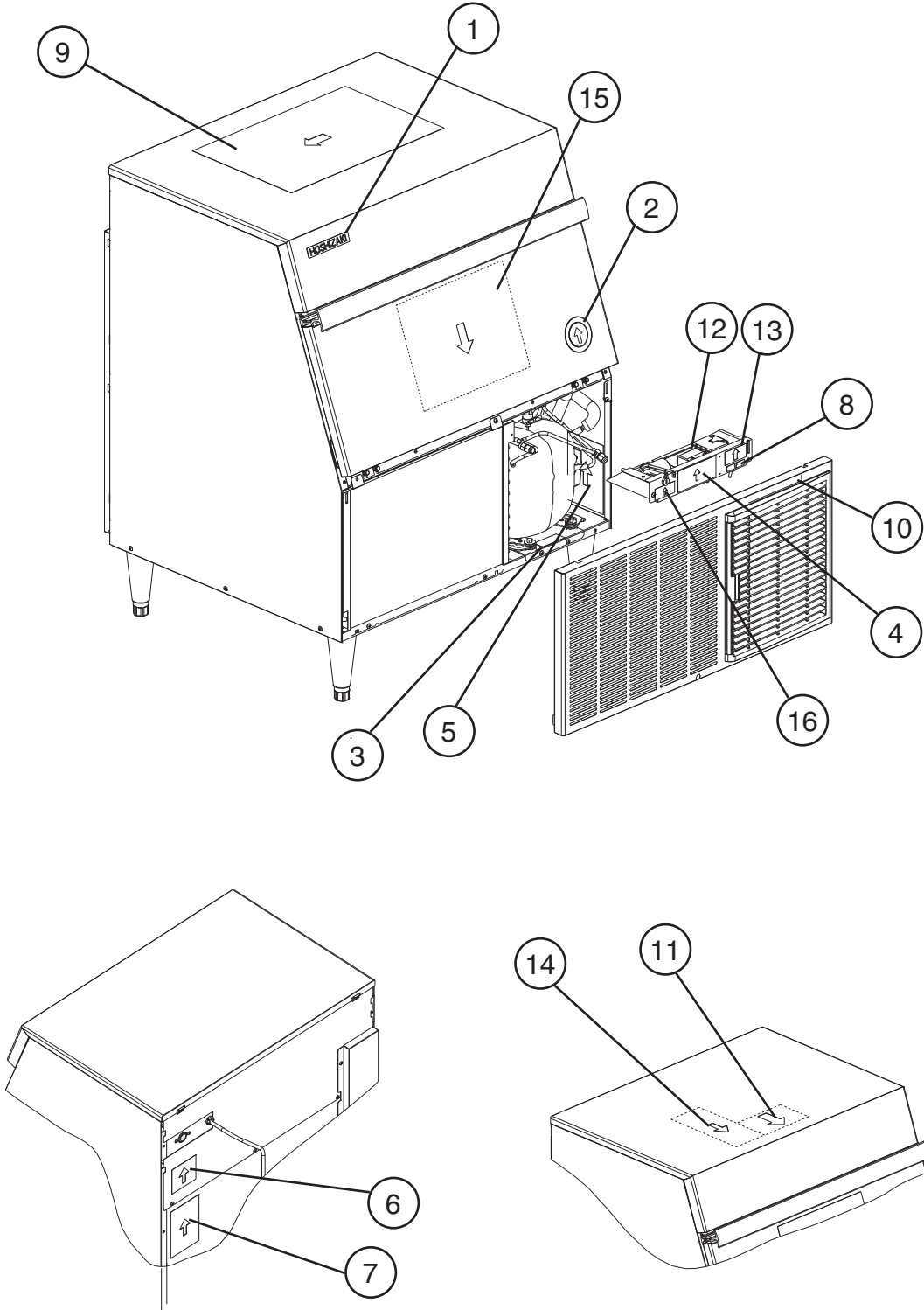


**F. Door Assembly**  
**KM-255BAH**  
 R-0



Title: F. Door Assembly Model: KM-255BAH											
Index No.	Description	Material or Model Number	Part Number	R-0	Required Number						
1	Door	-	2A3366G02	1							
2	Gasket	-	3A3391-02	1							
3	Handle	-	2A3361-02	1							
3a	T2 Screw	4x8 SS	7P32-0408	3							
4	Hook - Slope	-	4A3700-01	1							
5	Thumbscrew	-	415949G10	1							

**G. Label Location**  
**KM-255BAH**  
R-0



Title: **G. Label Location** Model: **KM-255BAH**

Index No.	Description	Material or Model Number	Part Number	Required Number																
				R-0																
1	Label - Emblem	-	4A0560-01	1																
2	Label - Penguin - HA (L)	-	4A0526-02	1																
3	Label - R404A	-	4A0960-01	1																
4	Caution Label (F)	-	439146-01	1																
5	Rating Label	-	2A3383-03	1																
6	Instruction Label	-	444575-01	1																
7	Nameplate	-	2A3382-03	1																
8	Control Label	-	463253-01	1																
9	Instruction Sheet	-	2A3386-01	1																
10	Label - Air Filter	-	426177-01	1																
11	Wiring Label	-	3A3443-01	1																
12	Caution Label (G)	-	439147-01	1																
13	Caution - Label	-	456247-01	1																
14	Label - Control Board	-	3A3444-01	1																
15	Maintenance Label	-	2A3387-01	1																
16	Label - Fuse	-	4A2817-01	1																

## H. Accessories and Packaging

### KM-255BAH

R-0

Title: H. Accessories and Packaging Model: KM-255BAH												
Index No.	Description	Material or Model Number	Part Number	R-0	Required Number							
1	Instruction Manual	-	91A1AT10A	1								
2	Ice Scoop	-	443495-01	1								
<b>Packaging</b>			2A3375A01									
1	Tray Assembly Top	-	1A1222G03	1								
2	Tray Assembly Bottom	-	1A1223G03	1								
3	Pallet	-	2A3684-03	1								
4	Carton	-	2A3862-28	1								
5	Plastic Support	-	2A3865-09	4								
6	Top Pad	-	3A4033-02	1								
7	Corner Post	-	3A4040-05	4								
8	Label Stock	-	4A2999-01	4								