

NO. U1PC-1014

ISSUED: SEP. 20, 1991

REVISED: SEP. 03, 1992



**HOSHIZAKI
MODULAR CRESCENT CUBER**

**MODEL KM-250MAB
KM-250MWB**

PARTS LIST

A-1 MAY 1991

B-1 APR. 1992

MATERIAL ABBREVIATIONS

PLASTIC

ABS	=	Acrylonitrile-butadien-styrene
AC	=	Polyacetal
EVA	=	Ethylene vinyl acetate
PA	=	Polyamide =Nylon
PC	=	Polycarbonate
PE	=	Polyethylene
PES	=	Polyester
PETP	=	Polyethylene terephthalate =Tetlon
PP	=	Polypropyleneoride
PS	=	Polystyrene
PTFE	=	Polytetrafluoroethylene =Teflon
PUR	=	Polyurethane
PVC	=	Polyvinyl chloride

RUBBER

EPDM	=	EP rubber
NBR	=	Nitrile butadiene rubber
NR	=	Natural rubber
SI.R	=	Silicone rubber
SY.R	=	Synthetic rubber

STEEL

G.S	=	Galvanized steel
S.S	=	Stainless steel

AUXILIARY CODE

Ex.1 K-0 — Parts are the same as in the preceding year.
"K" is the tenth in alphabetical order with "I" skipped. So, "K" indicates "1990".

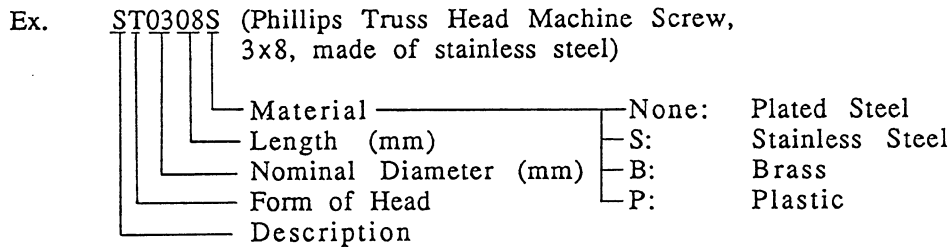
Ex.2 A-1 — "A" is the first in alphabetical order. So, "A" indicates "1991".

Ex.3 A-2 — Each time a part is changed in a year, this number advances.

(Note) - =Part deleted.
X=Part deleted and replaced by "O" part.
O=New part for "X" in the same auxiliary code.

FASTENER ABBREVIATION LIST

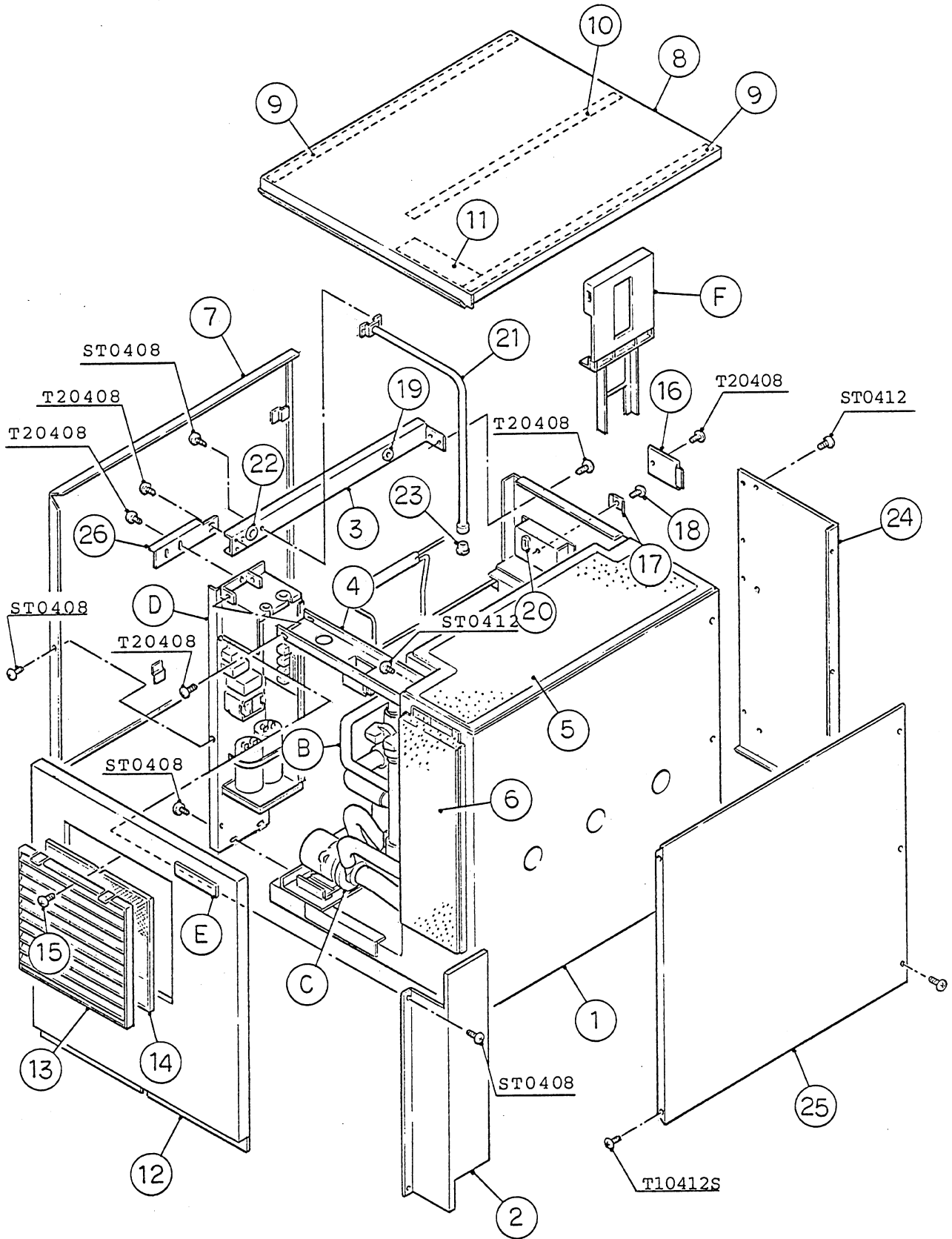
ST	Phillips Truss Head Machine Screw
SP	Phillips Pan Head Machine Screw
SF	Phillips Flat Head Machine Screw
SS	Phillips Pan Head Machine Screw with Split Lock Washer
SW	Phillips Pan Head Machine Screw with Split Lock Washer and Flat Washer
T1	Phillips Truss Head Tapping Screw (Correspond to Type A)
T2	Phillips Truss Head Tapping Screw (Correspond to Type B)
T3	Phillips Truss Head Tapping Screw (Correspond to Type C)
FT	Phillips Truss Head Tapping Screw (Special)
BH	Hexagon Head Bolt
BC	Socket Head Cap Screw
BS	Hexagon Bolt with Split Washer
BW	Hexagon Bolt with Split Washer and Flat Washer
BF	Hexagon Flange Bolt
WL	Split Lock Washer
WT	External Tooth Washer
WF	Flat Washer
WS	Spring Washer
NH	Hexagon Nut
NF	Hexagon Flange Nut
NC	Hexagon Cap Nut
NS	Square Nut
NW	Wing Nut

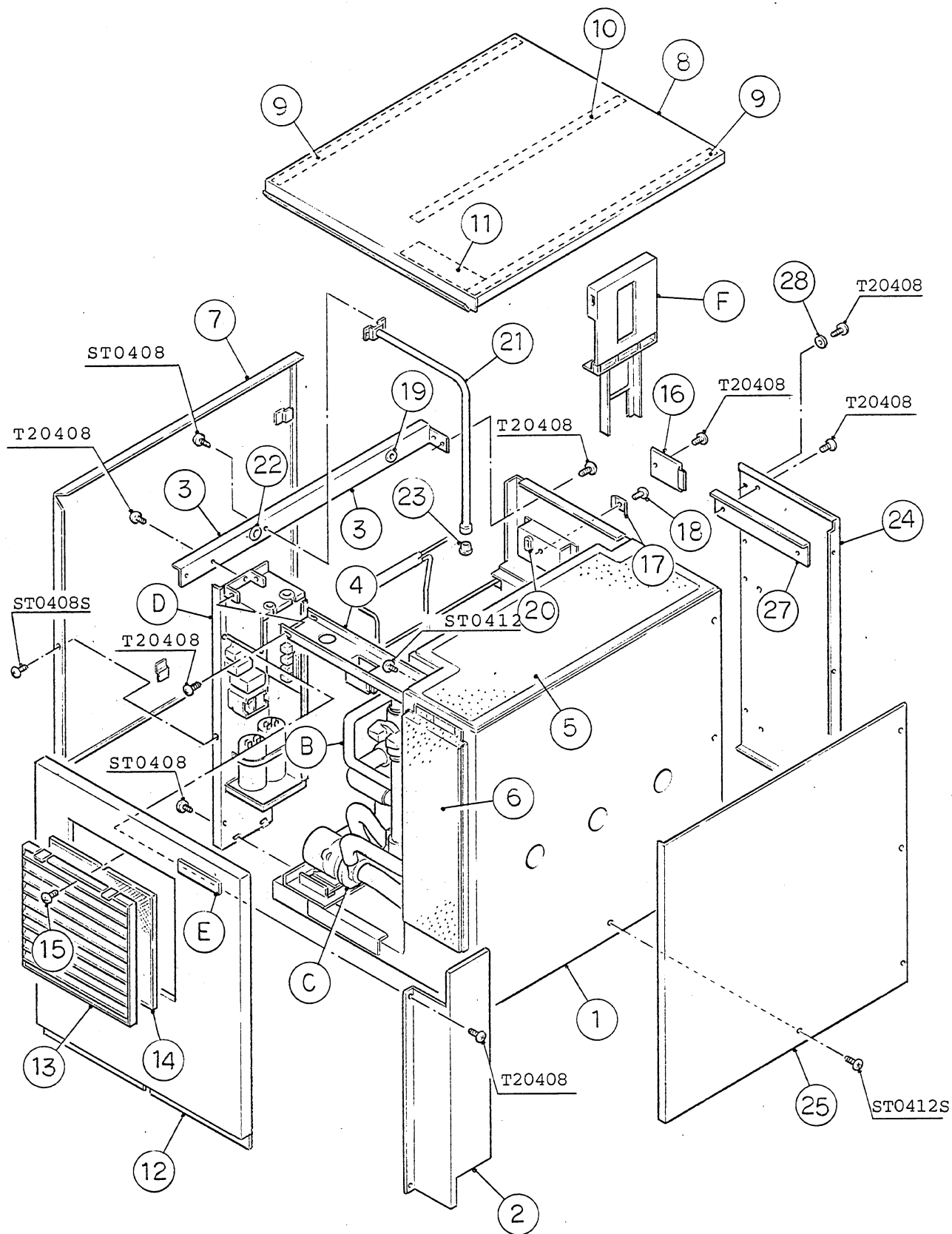


(Note) Second character is numerical except the list.

Ex. S1, S2, B3 etc.

And abbreviations and names are shown under the illustration.



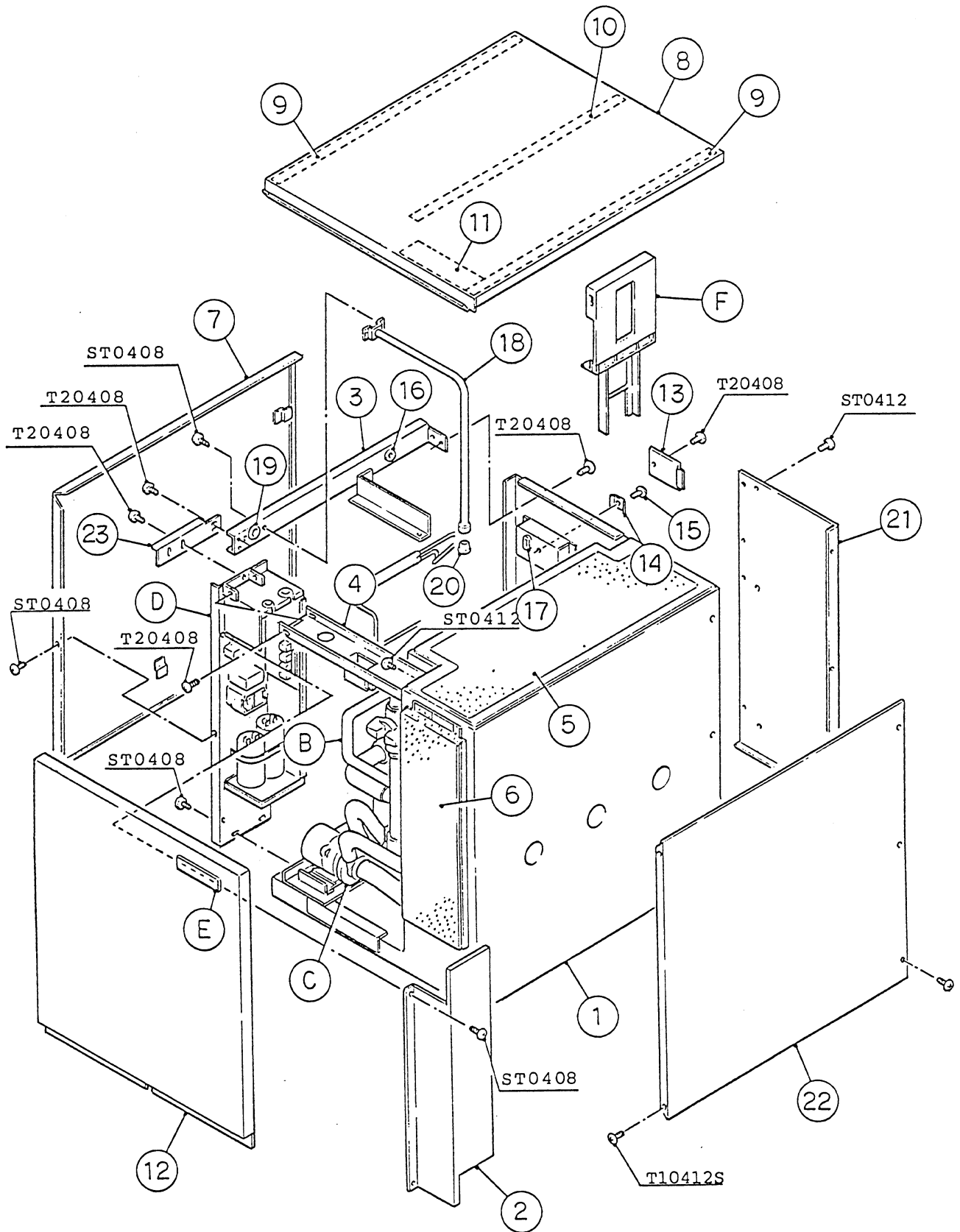


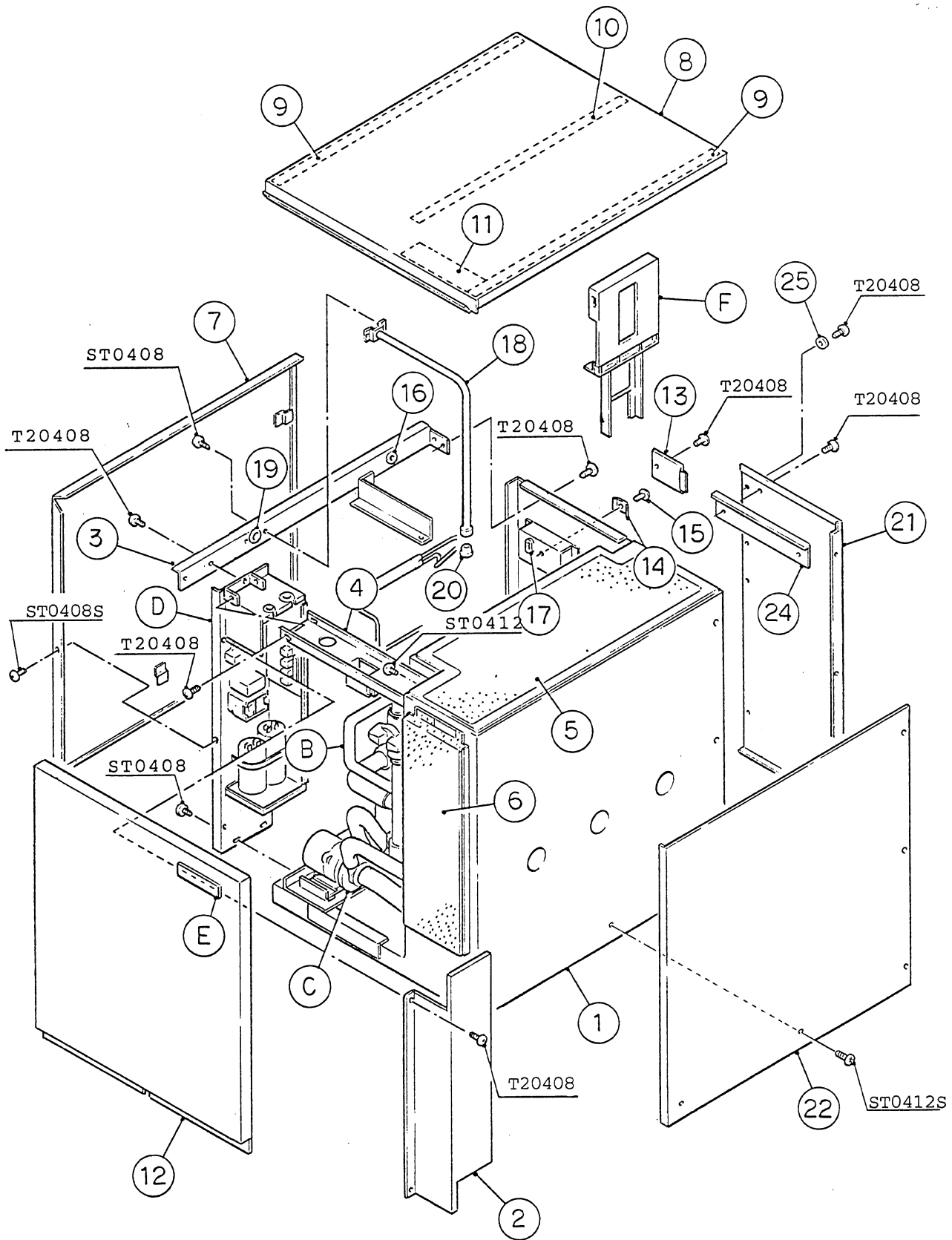
HA

MODEL: KM-250MAB TITLE: A. ICE CUBER ASSY							
INDEX NO.	DESCRIPTION	MATERIAL OR MODEL NUMBER	PART NUMBER	REQ'D NUMBER			
				A-1	B-1		
B	REFRIGERATION CIRCUIT	-	105192A01	1	-		
			105192A02		-		
			106052A01		1		
C	WATER CIRCUIT	-	105194A01	1	1		
D	CONT. BOX ASSY	-	215622A01	1	-		
			216977A01		-		
			218243A01		1		
E	LABEL LOCATION	-	326239A01	1	1		
F	BULB HOLDER	-	326242A01	1	1		
1	BODY ASSY	-	216713G02	1	1		
2	CONT. BOX COVER	G.S	327601-01	1	-		
			329538-01		1		
3	SIDE FLAME	G.S	327602G01	1	-		
			329542G01		1		
4	TOP FRAME	G.S	327598G01	1	-		
			329540G01		1		
5	TOP INSULATION	-	326229G01	1	1		
6	FRONT INSULATION	-	327604G01	1	-		
			327604G02		1		
7	SIDE PANEL (L)	PVC	215626G01	1	-		
			218092G01		1		
8	TOP PANEL (A)	(327634A01)	216634-01	1	-		
		(329571A01)	218094-01		1		
9	GASKET	(327634A01)	427014-04	2	-		
		(329571A01)	427014-04		2		
10	GASKET (A)	(327634A01)	427014-05	1	-		
		(329571A01)	427014-05		1		
11	INSULATION	(327634A01)	439646-01	1	-		
		(329571A01)	439646-01		1		
12	FRONT PANEL	G.S	216715G01	1	-		
			218272G01		1		

HA

MODEL: KM-250MAB TITLE: A. ICE CUBER ASSY							
INDEX NO.	DESCRIPTION	MATERIAL OR MODEL NUMBER	PART NUMBER	REQ'D NUMBER			
				A-1	B-1		
13	LOUVER (B)	ABS	103121-01	1	1		
14	AIR FILTER (B)	ABS	208283G01	1	1		
15	TAPPING SCREW - BLACK	STEEL,4x8	433954-01	1	1		
16	JUNCTION BOX COVER	G.S	433410-01	1	1		
17	SQUARE WASHER	BRASS	433537-02	1	1		
18	SCREW - GROUNDING	BRASS	433304-02	1	1		
19	BUSHING	OCB-750	428394-01	1	1		
20	BUSHING	SR-30-1	420472-03	1	1		
21	CONDUIT	COPPER	326596G01	1	1		
22	BUSHING	SB-625-8	420470-01	1	1		
23	BUSHING	OCB-500	428394-02	1	1		
24	REAR PANEL (B)	G.S	327596-01	1	-		
	REAR PANEL (R)	G.S	329557-01		1		
25	SIDE PANEL (R)	PVC	216685-01	1	-		
			218093-01		1		
26	SIDE FRAME (B)	G.S	441436G01	1	-		
27	PLATE		329537-01		1		
28	WASHER		443696-01		4		



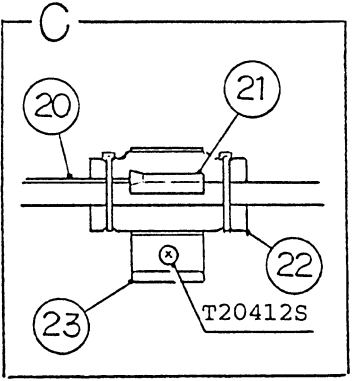
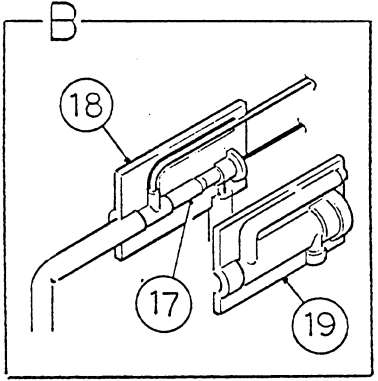
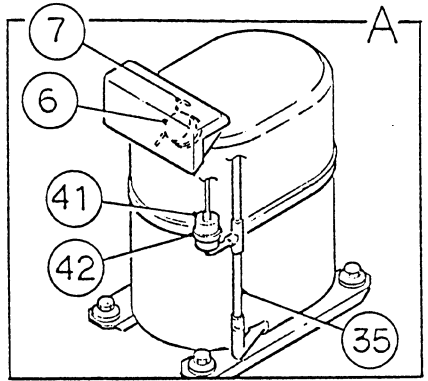
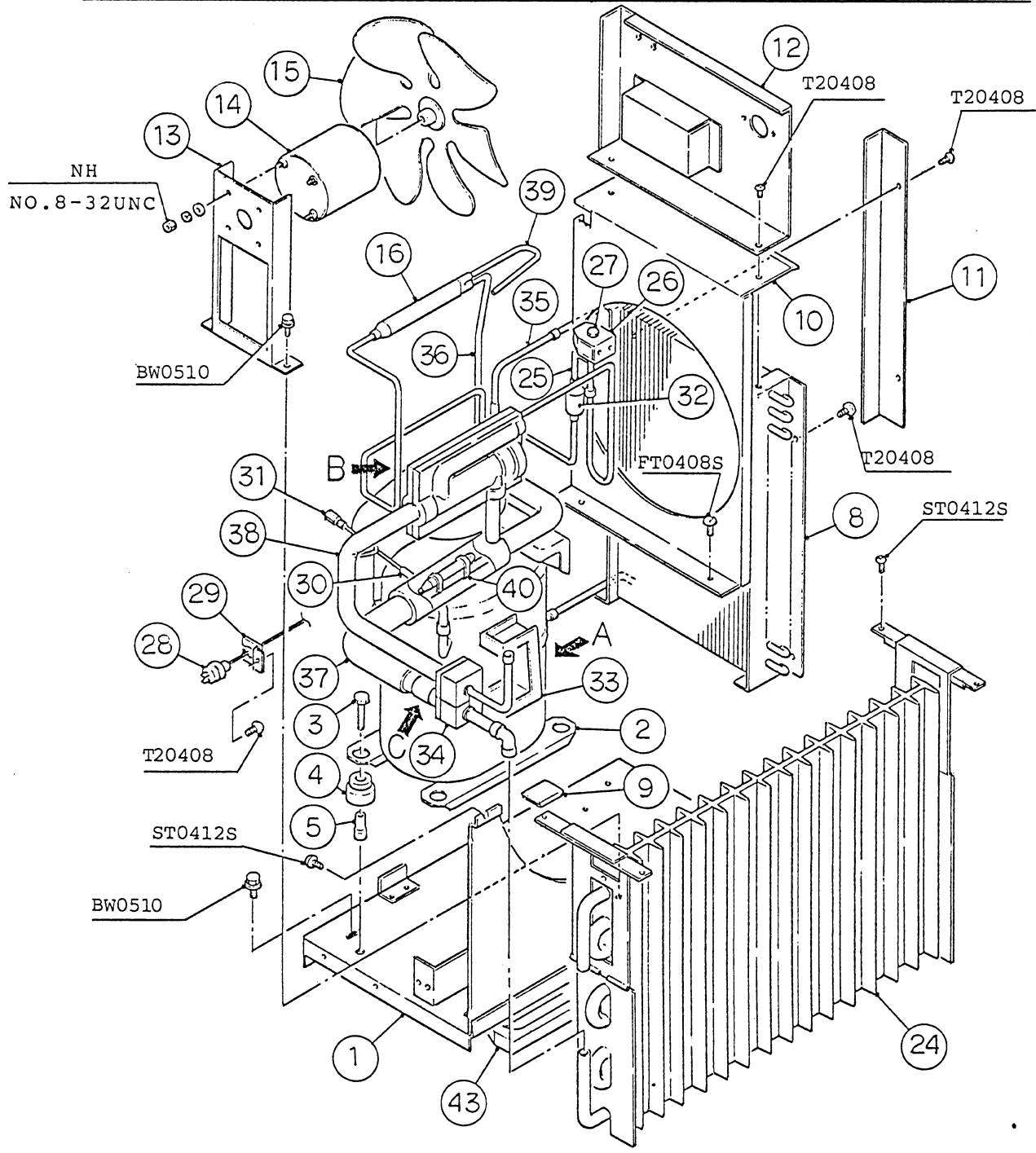


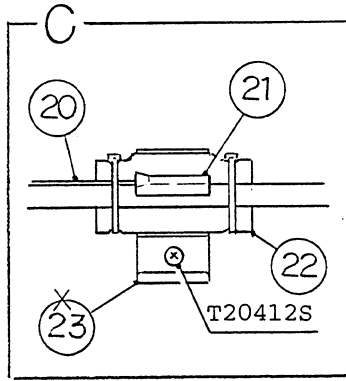
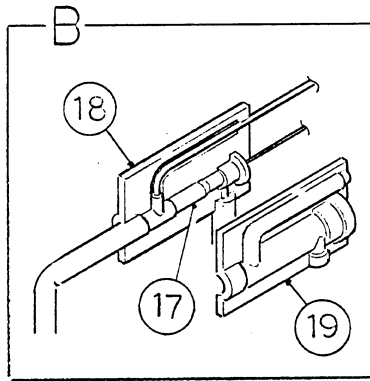
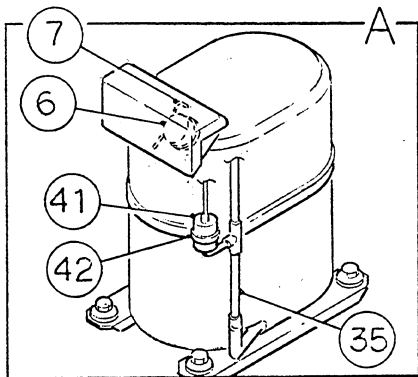
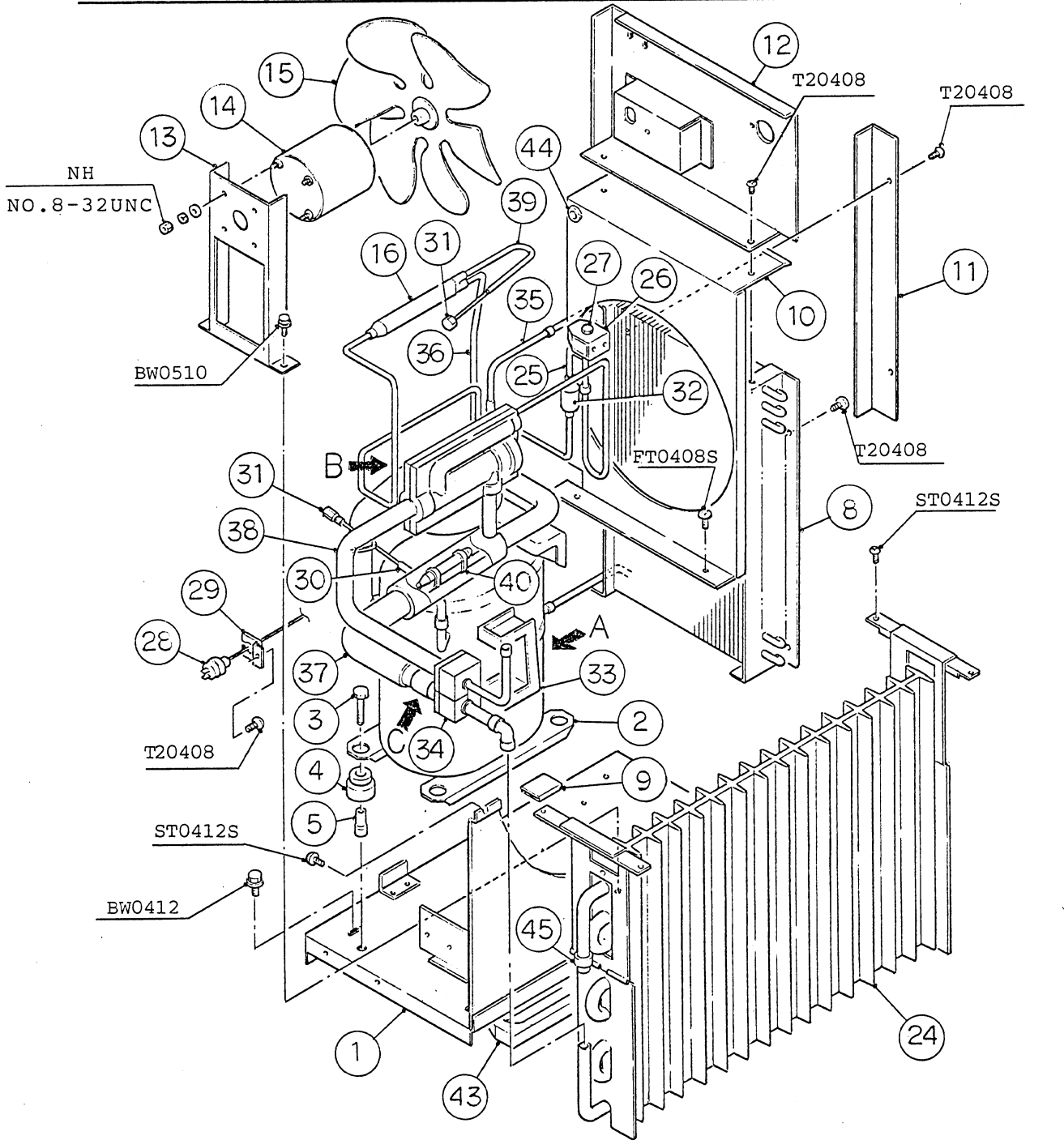
HA

MODEL: KM-250MWB TITLE: A. ICE CUBER ASSY							
INDEX NO.	DESCRIPTION	MATERIAL OR MODEL NUMBER	PART NUMBER	REQ'D NUMBER			
				A-1	B-1		
B	REFRIGERATION CIRCUIT	-	105193A01	1	-		
			106053A01		1		
C	WATER CIRCUIT	-	105194A01	1	1		
D	CONT. BOX ASSY	-	215622A02	1	-		
			216977A02		-		
			218243A02		1		
E	LABEL LOCATION	-	326240A01	1	1		
F	BULB HOLDER	-	326242A01	1	1		
1	BODY ASSY	-	216713G02	1	1		
2	CONT. BOX COVER	G.S	327601-01	1	-		
			329538-01		1		
3	SIDE FRAME	G.S	327602G02	1	-		
			329542G02		1		
4	TOP FRAME	G.S	327598G01	1	-		
			329540G01		1		
5	TOP INSULATION	-	326229G01	1	1		
6	FRONT INSULATION	-	327604G01	1	-		
			327604G02		1		
7	SIDE PANEL (L)	PVC	215626G01	1	-		
			218092G01		1		
8	TOP PANEL (A)	(327634A01)	216634-01	1	-		
		(329571A01)	218094-01		1		
9	GASKET	(327634A01)	427014-04	2	-		
		(329571A01)	427014-04		2		
10	GASKET (A)	(327634A01)	427014-05	1	-		
		(329571A01)	427014-05		1		
11	INSULATION	(327634A01)	439646-01	1	-		
		(329571A01)	439646-01		1		
12	FRONT PANEL	PVC	216714G01	1	-		
			218091G01		1		
13	JUNCTION BOX COVER	G.S	433410-01	1	1		

HA

MODEL: KM-250MWB TITLE: A. ICE CUBER ASSY							
INDEX NO.	DESCRIPTION	MATERIAL OR MODEL NUMBER	PART NUMBER	REQ'D NUMBER			
				A-1	B-1		
14	SQUARE WASHER	BRASS	433537-02	1	1		
15	SCREW - GROUNDING	BRASS	433304-02	1	1		
16	BUSHING	OCB-750	428394-01	1	1		
17	BUSHING	SR-30-1	420472-03	1	1		
18	CONDUIT	COPPER	326596G01	1	1		
19	BUSHING	SB-625-8	420470-01	1	1		
20	BUSHING	OCB-500	428394-02	1	1		
21	REAR PANEL (B)	G.S	327596-01	1	-		
	REAR PANEL (R)	G.S	329557-01		1		
22	SIDE PANEL (R)	PVC	216685-01	1	-		
			218093-01		1		
23	SIDE FRAME (B)	G.S	441436G01	1	-		
24	PLATE		329537-01		1		
25	WASHER		443696-01		3		



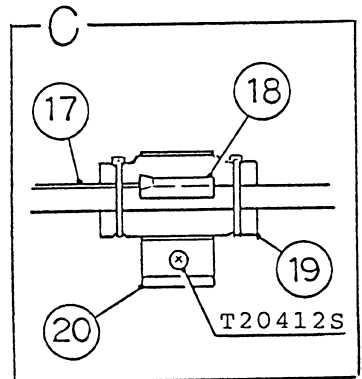
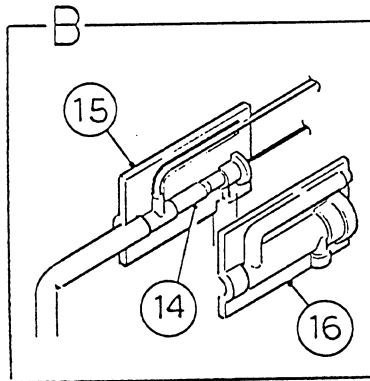
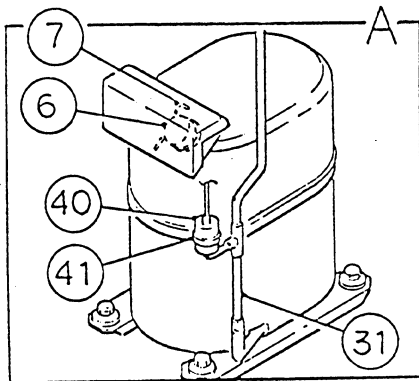
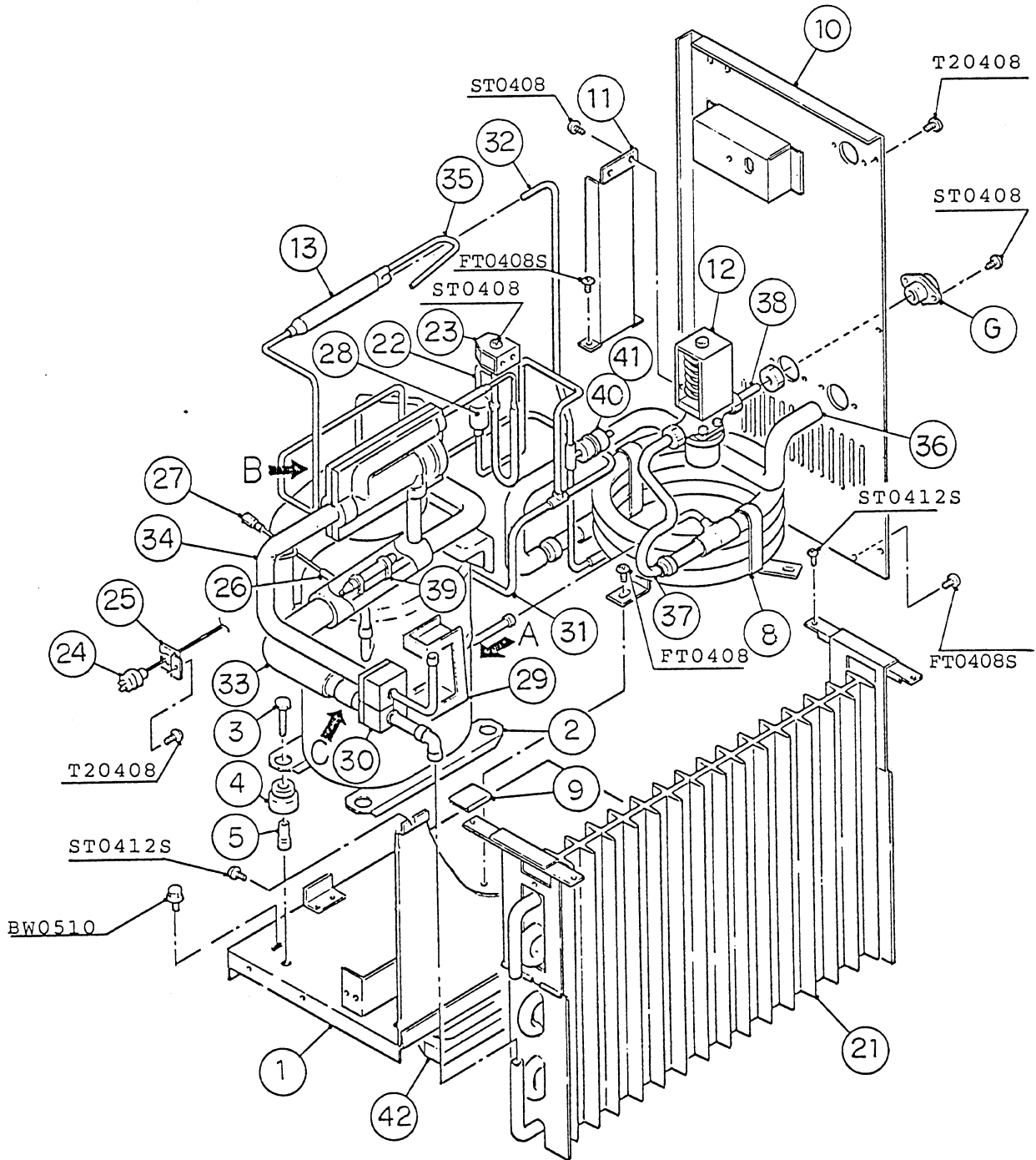


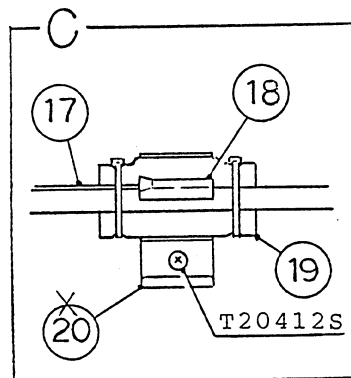
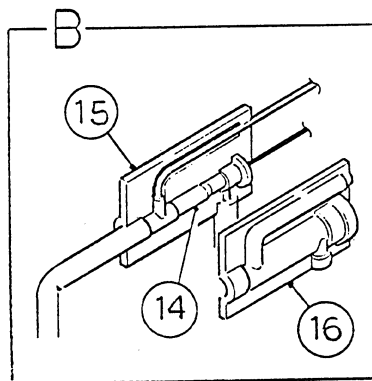
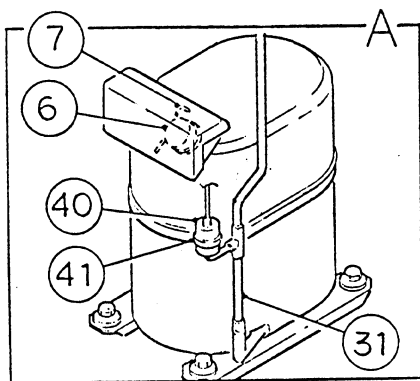
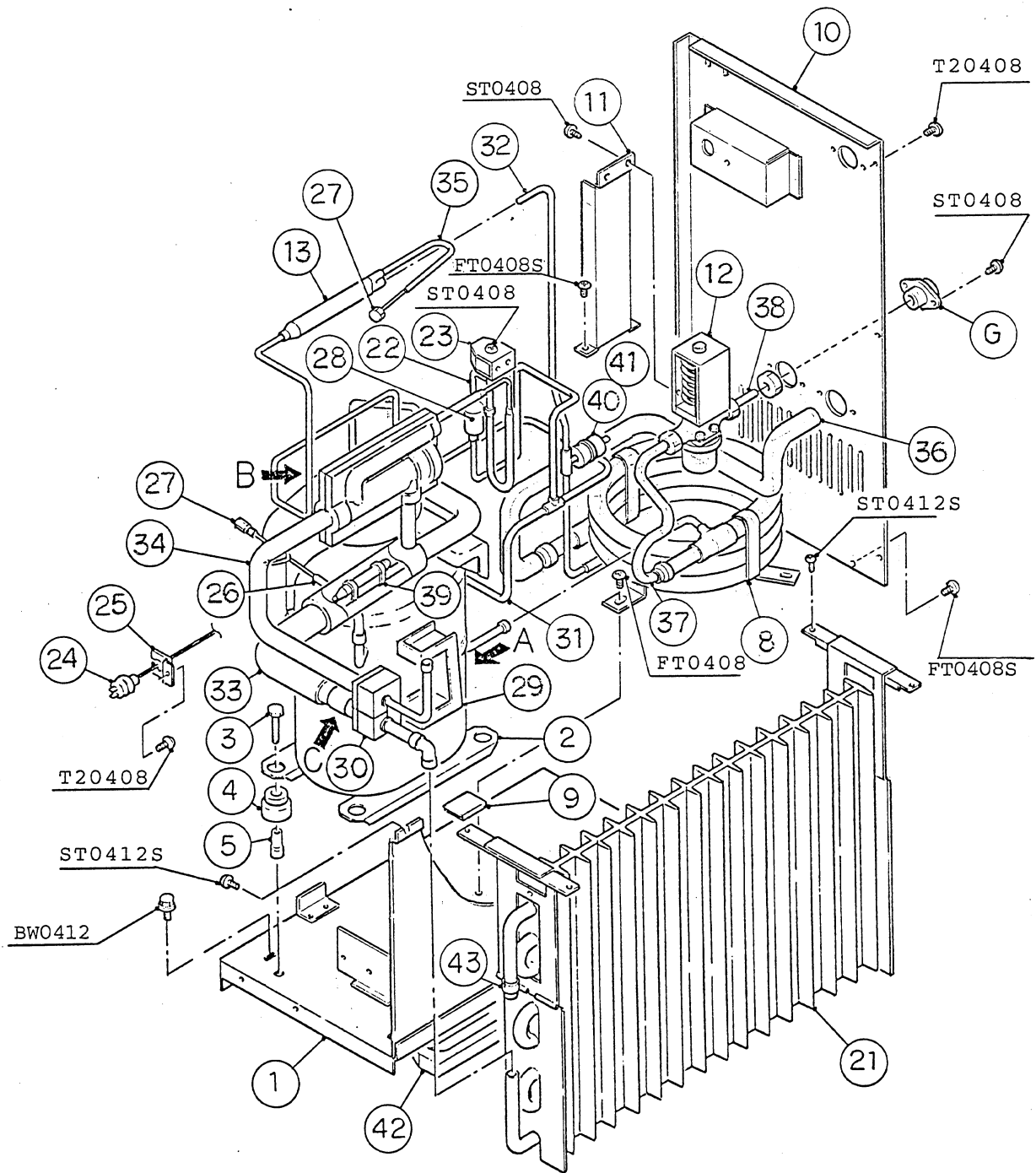
HA

MODEL: KM-250MAB TITLE: B. REFRIGERATION CIRCUIT							
INDEX NO.	DESCRIPTION	MATERIAL OR MODEL NUMBER	PART NUMBER	REQ'D NUMBER			
				A-1	B-1		
1	BASE	G.S	216691G01	1	-		
			218236G01		1		
2	COMPRESSOR	RSU4-0050-CAA	436634-01	1	1		
3	BOLT	8x45	437889-01	4	4		
4	GROMMET	527-0039-04	434403-01	4	4		
5	SPACER	527-0039-04	434404-01	4	4		
6	PROTECTOR	071-0370-30	437340-01	1	1		
7	PROTECTOR HOLDER	-	437339-01	1	1		
8	CONDENSER		216636-01	1	1		
9	RUBBER SEAL	EPDM	327516-01	1	1		
10	SHROUD	G.S	216686-01	1	-		
			218242-01		1		
11	END PLATE (B)	G.S	438738-01	1	-		
			443688-01		1		
12	REAR PANEL	G.S	327600G01	1	-		
			329558G01		1		
13	FAN MOTOR BRACKET	G.S	325424G01	1	-		
			327914G01		1		
14	FAN MOTOR	5KPM59GSK 4138-S	437030-01	1	-		
		U90B1 7190-1031	440911-01		1		
15	FAN BLADE	-	437749-01	1	1		
16	DRIER	KC-7424	437028-01	1	1		
17	EXP. VALVE	HFE-5RHD-1	436706-01	1	1		
18	EXP. VALVE COVER (A)	PE FOAM	326445-01	1	1		
19	EXP. VALVE COVER (B)	PE FOAM	326445-02	1	1		
20	THERMISTOR	-	429006-02	1	1		
21	HOLDER - THERMISTOR	COPPER	427430-01	1	1		
22	INSULATION - THERMISTOR	PE FOAM	427441-01	1	1		
23	STRAP - THERMISTOR	S.S	4A0035-01	1	x 1		

HA

MODEL: KM-250MAB TITLE: B. REFRIGERATION CIRCUIT							
INDEX NO.	DESCRIPTION	MATERIAL OR MODEL NUMBER	PART NUMBER	REQ'D NUMBER			
				A-1	B-1		
24	EVAPORATOR	(S-0456)	105195G01	1	1		
25	VALVE BODY	24	440351-01	1	1		
26	COIL - VALVE	ADS-24HD-2	440355-01	1	1		
27	BOLT	M4x0.7	440355F01	1	1		
28	PRESSURE SWITCH	ACB-2UB04	433441-05	1	1		
29	PRESSURE SWITCH BRACKET	G.S	434938-01	1	1		
30	COPPER TUBE - ACCESS VALVE	COPPER	440406-01	1	1		
31	ACCESS VALVE	TCJ-2F15-HD	417366-01	1	2		
32	STRAINER	-	430365-01	1	1		
33	RUBBER HOLDER	EPDM	325606-01	1	1		
34	INSULATED RUBBER TUBE	EPDM	439655G01	1	1		
35	COPPER TUBE (A) - HIGH SIDE	COPPER	326715G01	1	1		
36	COPPER TUBE (B) - HIGH SIDE	COPPER	326717-01	1	1		
37	HEAT EXCHANGER	COPPER	215975G01	1	1		
38	COPPER TUBE (A) - LOW SIDE	COPPER	326716G01	1	1		
39	COPPER TUBE - DRIER	COPPER	439673-01	1	1		
40	CLAMP	D11-S	435254-04	2	2		
41	INSULATION TUBE	L=40	7762-1020	1	1		
42	TIE	CV-200 (PLT-2M)	7920-0010	2	2		
43	INSULATION	PE FOAM	440510-01	1	1		
44	BUSHING	OCB-500	428394-02		1		
45	REDUCER		421904-01		1		



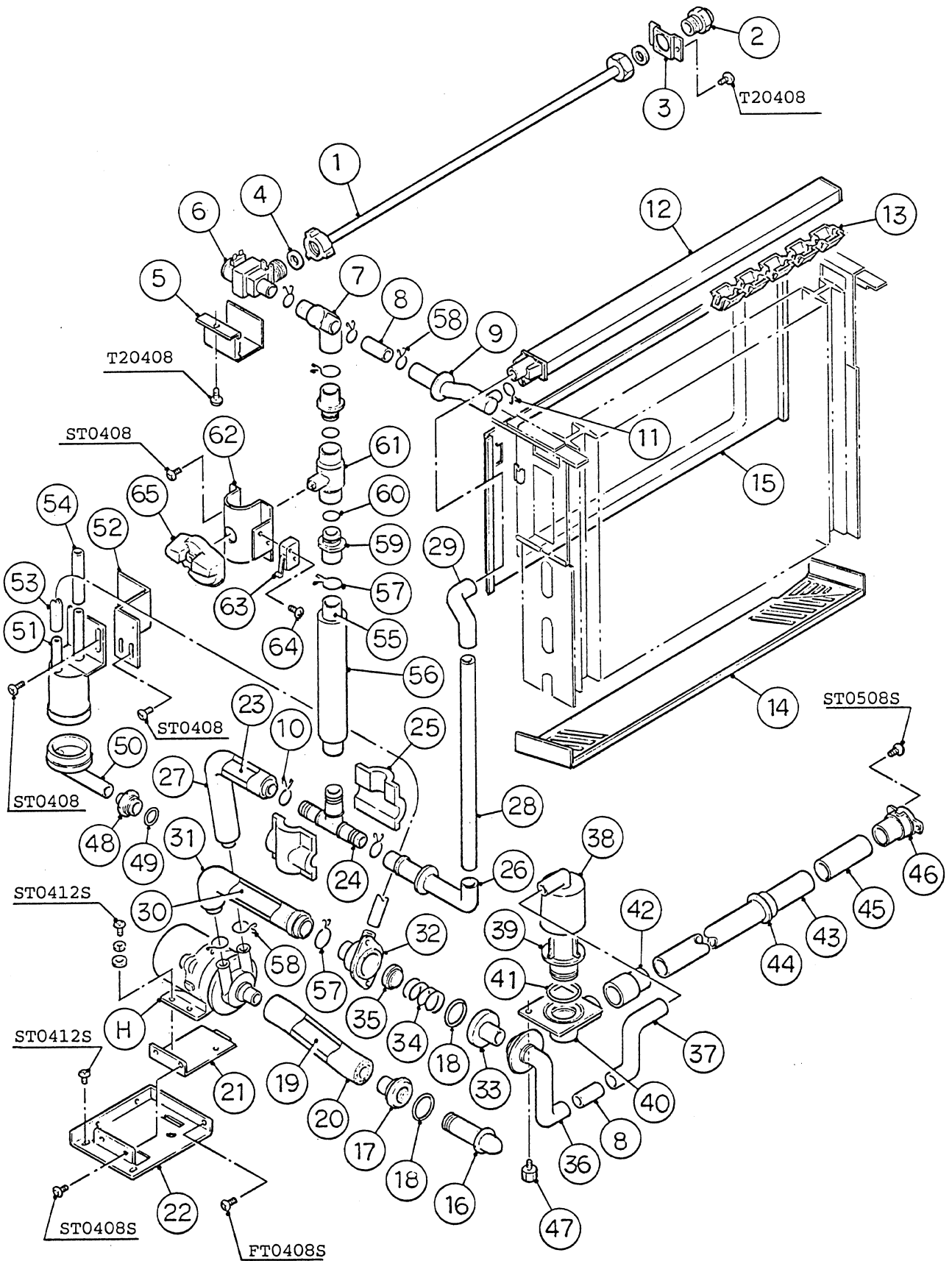


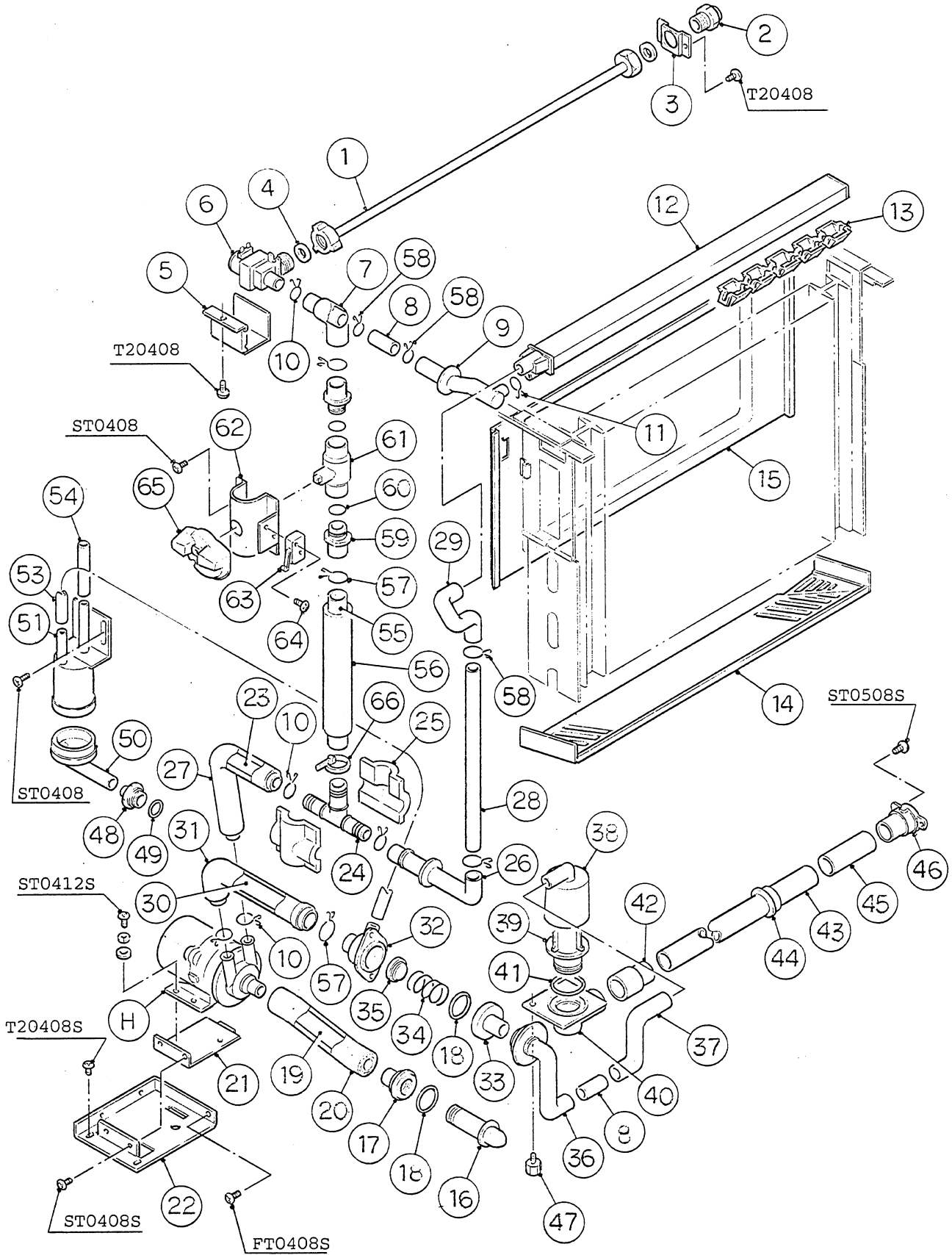
HA

MODEL: KM-250MWB TITLE: B. REFRIGERATION CIRCUIT							
INDEX NO.	DESCRIPTION	MATERIAL OR MODEL NUMBER	PART NUMBER	REQ'D NUMBER			
				A-1	B-1		
G	FITTING (P) ASSY	(S-0351)	311425A01	2	2		
1	BASE	-	216690G01	1	-		
			218238G01		1		
2	COMPRESSOR	RSU4-0050-CAA	436634-01	1	1		
3	BOLT	8x45	437889-01	4	4		
4	GROMMET	527-0039-04	434403-01	4	4		
5	SPACER	527-0039-04	434404-01	4	4		
6	PROTECTOR	071-0370-30	437340-01	1	1		
7	PROTECTOR HOLDER	-	437339-01	1	1		
8	CONDENSER - WATER COOLED	(S-0724)	215544G01	1	1		
9	RUBBER SEAL	EPDM	327516-01	1	1		
10	REAR PANEL	-	216688G01	1	-		
			218234G01		1		
11	WATER REGULATOR BRACKET	G.S	438742-01	1	1		
12	WATER - REGULATOR	WVIL-33RHD	415425-01	1	1		
13	DRIER	KC-7424	437028-01	1	1		
14	EXP. VALVE	HFE-5RHD-1	436706-01	1	1		
15	EXP. VALVE COVER (A)	PE FOAM	326445-01	1	1		
16	EXP. VALVE COVER (B)	PE FOAM	326445-02	1	1		
17	THERMISTOR	-	429006-02	1	1		
18	HOLDER - THERMISTOR	COPPER	427430-01	1	1		
19	INSULATION - THERMISTOR	PE FOAM	427441-01	1	1		
20	STRAP - THERMISTOR	S.S	4A0035-01	1	x 1		
21	EVAPORATOR	S.S	105195G01	1	1		
22	VALVE BODY	24	440351-01	1	1		
23	COIL - VALVE	ADS-24HD-2	440355-01	1	1		
24	PRESSURE SWITCH	ACB-2UB02	433441-01	1	1		
25	PRESSURE SWITCH BRACKET	G.S	434938-01	1	1		
26	COPPER TUBE - ACCESS VALVE	COPPER	440406-01	1	1		
27	ACCESS VALVE	TCJ-2F15-HD	417366-01	1	2		
28	STRAINER	-	430365-01	1	1		

HA

MODEL: KM-250MWB TITLE: B. REFRIGERATION CIRCUIT							
INDEX NO.	DESCRIPTION	MATERIAL OR MODEL NUMBER	PART NUMBER	REQ'D NUMBER			
				A-1	B-1		
29	RUBBER HOLDER	EPDM	325606-01	1	1		
30	INSULATED RUBBER TUBE	EPDM	439655G01	1	1		
31	COPPER TUBE (A) - HIGH SIDE	COPPER	216745G01	1	1		
32	COPPER TUBE (B) - HIGH SIDE	COPPER	326718G01	1	1		
33	HEAT EXCHANGER	COPPER	215975G01	1	1		
34	COPPER TUBE (A) - LOW SIDE	COPPER	326719G01	1	1		
35	COPPER TUBE - DRIER	COPPER	439673-01	1	1		
36	COPPER TUBE (A)	COPPER	326721G01	1	1		
37	COPPER TUBE (B)	COPPER	440404G01	1	1		
38	COPPER TUBE (C)	COPPER	440403-01	1	1		
39	CLAMP	D11-S	435254-04	2	2		
40	INSULATION TUBE	L=40	7762-1020	2	2		
41	TIE	CV-200 (PLT-2M)	7920-0010	4	4		
42	INSULATION	PE FOAM	440510-01	1	1		
43	REDUCER		421904-01		1		



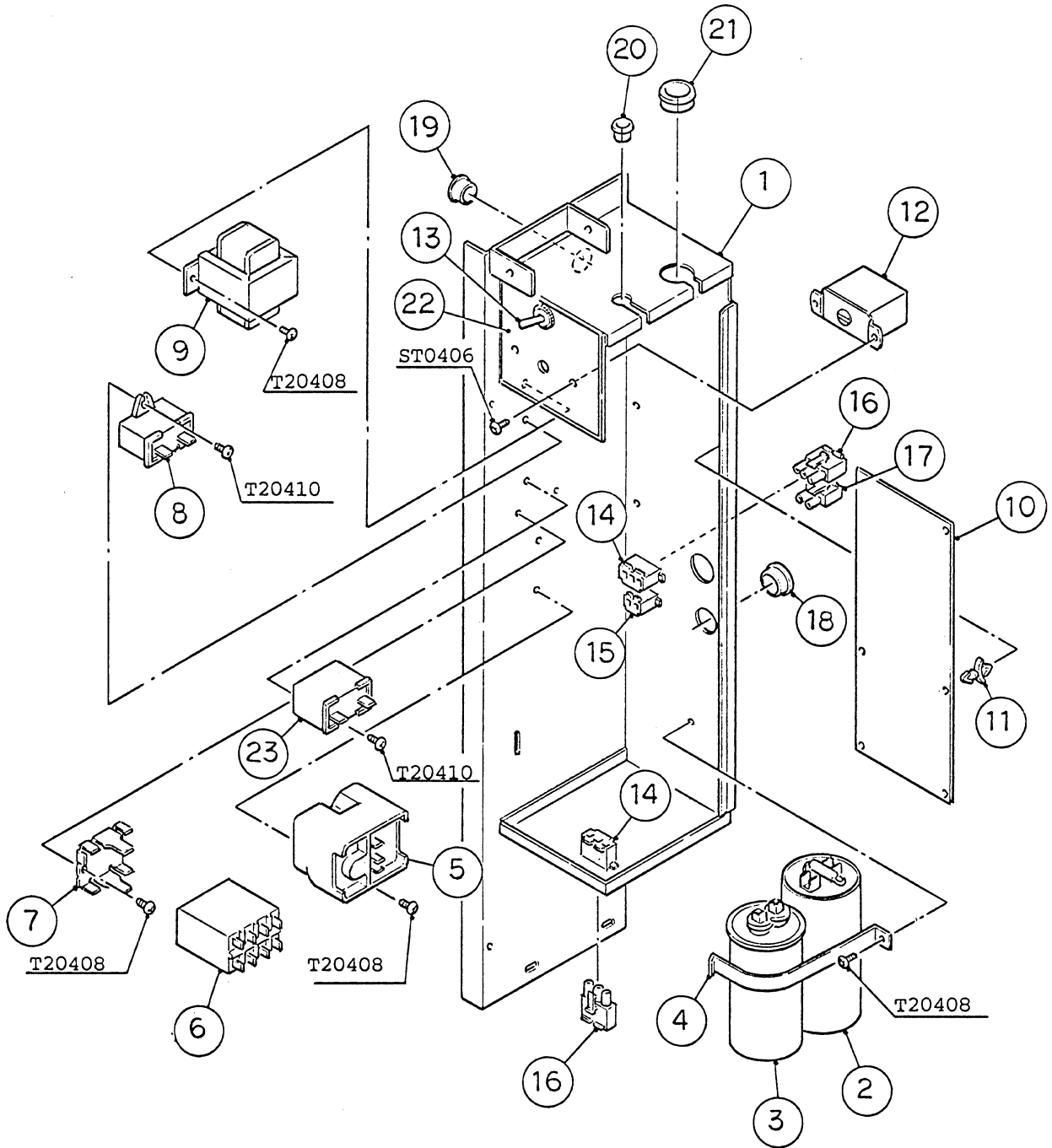


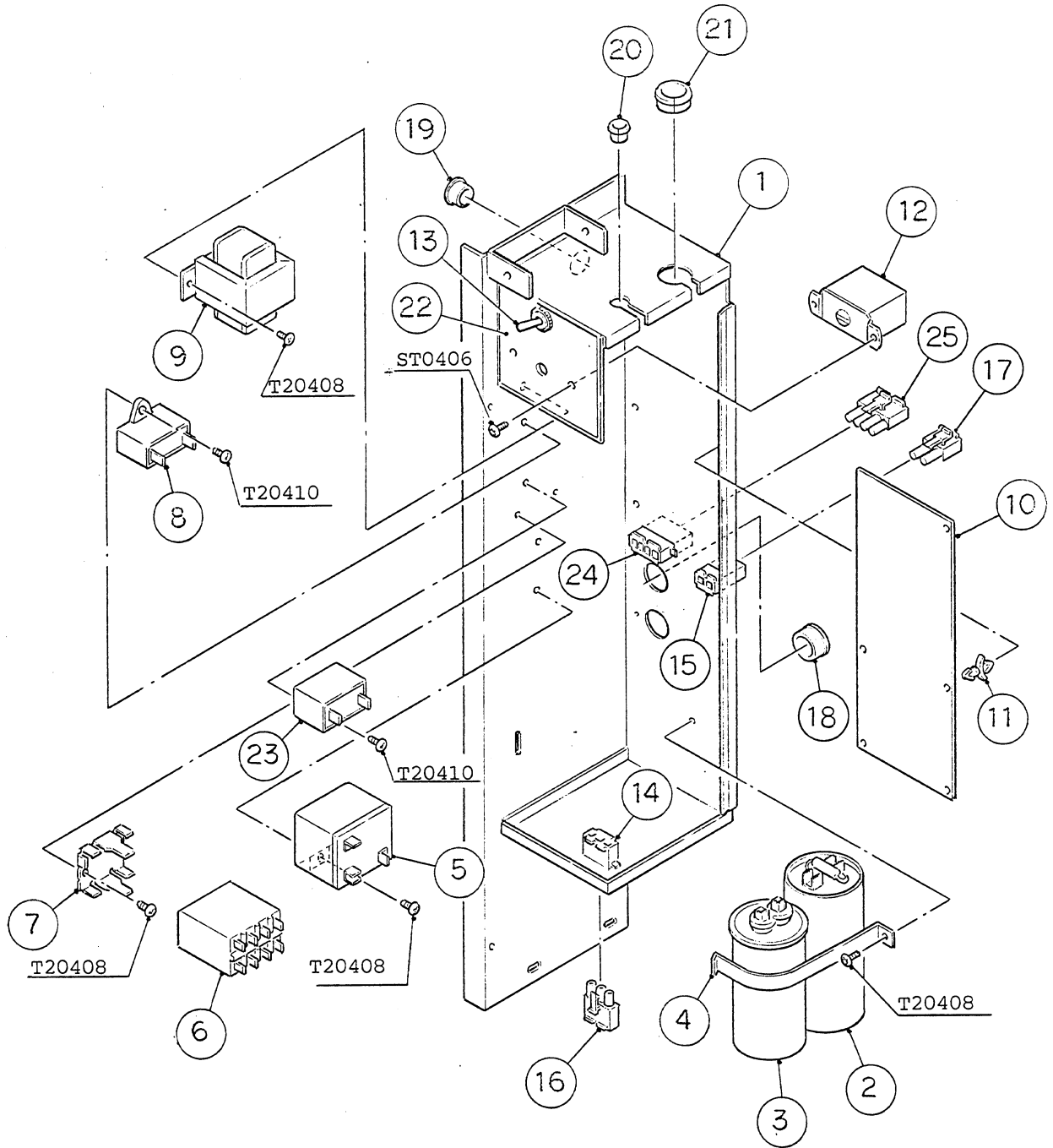
HA

MODEL: KM-250MAB,MWB TITLE: C. WATER CIRCUIT							
INDEX NO.	DESCRIPTION	MATERIAL OR MODEL NUMBER	PART NUMBER	REQ'D NUMBER			
				A-1	B-1		
H	PUMP MOTOR ASSY	(S-0727)	326257A01	1	1		
1	WATER SUPPLY PIPE	BRASS	438739G01	1	-		
			4A0156G02		1		
2	FITTING - INLET	BRASS	436552-01	1	1		
3	FITTING HOLDER - INLET	G.S	436550-01	1	1		
4	RUBBER GASKET	NBR	413854-01	2	2		
5	WATER VALVE BRACKET	G.S	325429-01	1	1		
6	WATER VALVE	J248-096	3U0133-01	1	1		
7	WATER SUPPLY HOSE (A)	EPDM	439246-01	1	1		
8	JOINT PIPE	ABS	439329-01	2	2		
9	WATER SUPPLY HOSE (B)	EPDM	438976-01	1	1		
10	HOSE CLAMP	S.S, 18MM	427443-05	3	5		
11	HOSE CLAMP	S.S, 13.5MM	427443-07	1	1		
12	SPRAY TUBE	ABS	437049G01	1	1		
13	SPRAY GUIDE (A)	PE	208586-01	3	3		
14	CUBE GUIDE ASSY	ABS	327633G01	1	1		
15	SEPARATOR	ABS	325430-01	1	1		
16	SUCTION PIPE (A)	ABS	438987-01	1	1		
17	SUCTION PIPE (B)	ABS	438989-01	1	1		
18	"O" RING	1AG35	7611-G035	2	2		
19	SUCTION HOSE	EPDM	439245-01	1	1		
20	INSULATION TUBE	L=160	7762-2636	1	1		
21	PUMP MOTOR BRACKET	S.S	327515-01	1	1		
22	BASE (B)	S.S	216635-01	1	1		
23	DISCHARGE HOSE (A)	EPDM	438977-01	1	1		
24	TEE	1401-074	439663-01	1	1		
25	TEE INSULATION	PE FOAM	439657-01	2	2		
26	DISCHARGE HOSE (B)	EPDM	438985-01	1	1		
27	INSULATION TUBE	L=200	7762-2030	1	1		
28	PVC PIPE	PVC	439647-01	1	1		
29	SPRAY HOSE	EPDM	325607-01	1	1		

HA

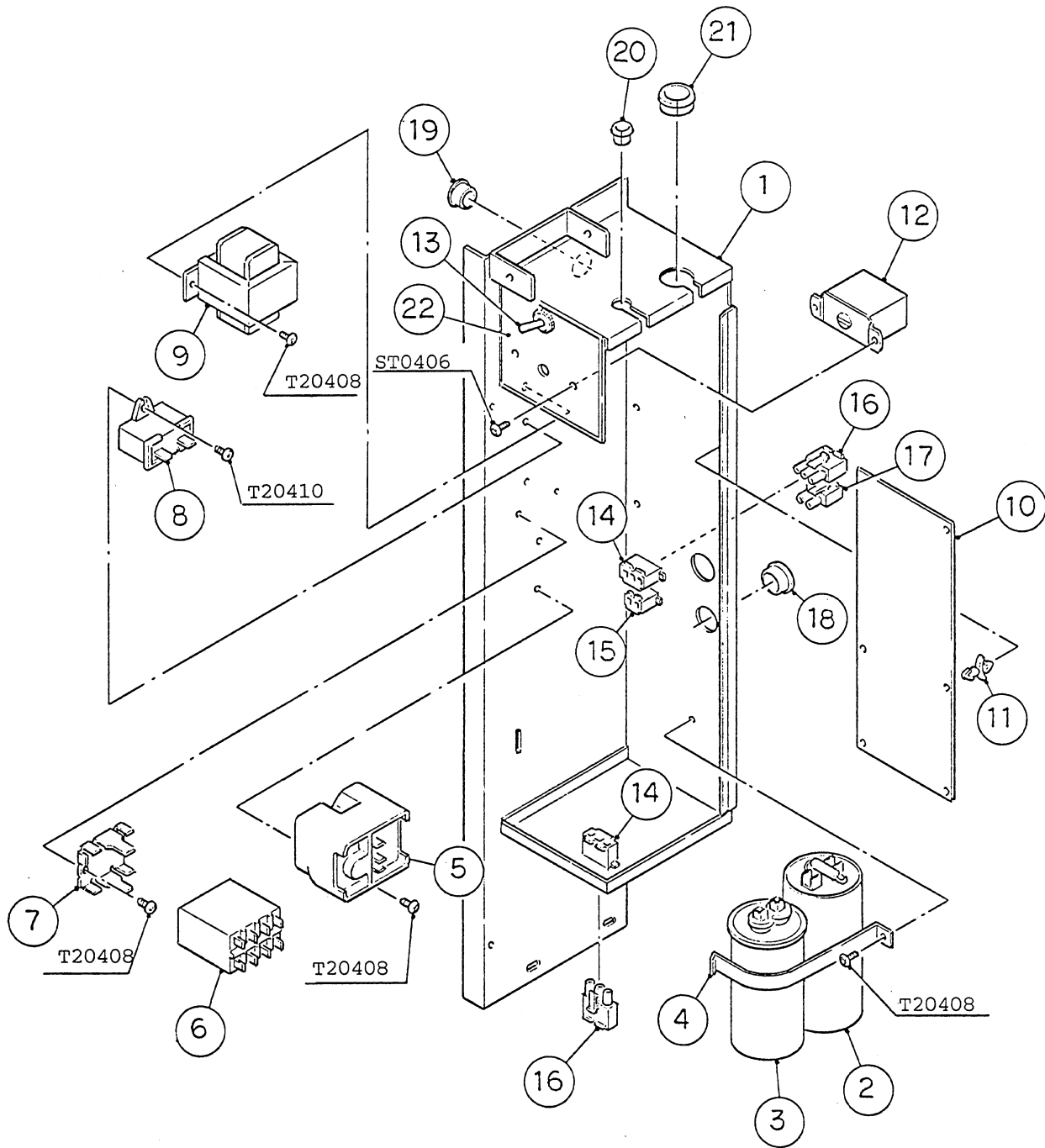
MODEL: KM-250MAB,MWB TITLE: C. WATER CIRCUIT							
INDEX NO.	DESCRIPTION	MATERIAL OR MODEL NUMBER	PART NUMBER	REQ'D NUMBER			
				A-1	B-1		
30	DRAIN HOSE (A)	EPDM	438983-01	1	1		
31	INSULATION TUBE	L=190	7762-2030	1	1		
32	VALVE HOUSING	ABS	325604-01	1	1		
33	DRAIN VALVE	ABS	438975-01	1	1		
34	SPRING	S.S	327394-01	1	1		
35	VALVE SHEET	EPDM	433705-01	1	1		
36	DRAIN HOSE (B)	EPDM	325605-01	1	1		
37	DRAIN HOSE (C)	EPDM	438974-01	1	1		
38	OVERFLOW CAP	ABS	438980-01	1	1		
39	OVERFLOW PIPE	ABS	438981-01	1	1		
40	OVERFLOW JOINT ASSY	-	441545G01	1	1		
41	"O"RING	1AP45	7611-P045	2	-		
		1AP32	7611-P032		1		
42	RUBBER TUBE	EPDM	432818-01	1	1		
43	PVC PIPE	PVC	433509-04	1	1		
44	RUBBER RING	EPDM	438984-01	1	1		
45	DRAIN HOSE	EPDM	434808-01	1	1		
46	FITTING DRAIN	-	438729-01	1	1		
47	THUMBSCREW	ABS, S.S	415949G01	1	1		
48	WATER LEVEL PIPE	ABS	438988-01	1	1		
49	"O"RING	1AP22	7611-P022	1	1		
50	CONNECTOR - FLOAT SWITCH	EPDM	426799-03	1	1		
51	FLOAT SWITCH	FS-0893B	433535-01	1	1		
52	FLOAT SWITCH BRACKET (B)	G.S	327517-01	1	-		
53	VINYL HOSE	L=250	7716-0913	1	1		
54	VINYL HOSE	L=75	7716-0913	1	1		
55	VINYL HOSE	L=230	7716-2025	1	-		
		L=215	7716-2025		1		
56	INSULATION TUBE	L=190	7762-2636	1	1		
57	HOSE CLAMP	S.S, 25MM	427443-03	4	3		
58	HOSE CLAMP	S.S 20MM	427443-06	6	4		

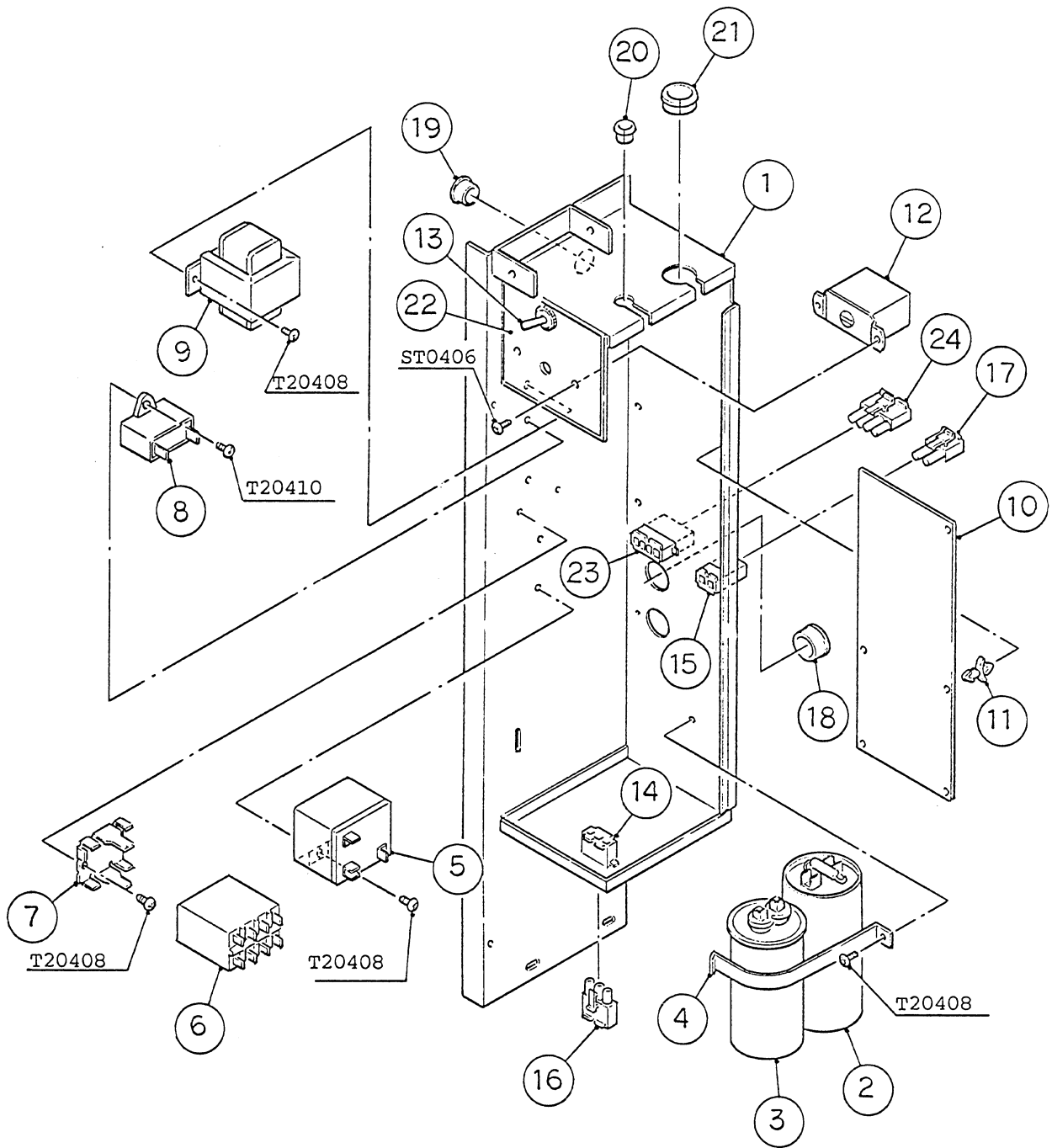




HA

MODEL: KM-250MAB TITLE: D. CONT. BOX ASSY							
INDEX NO.	DESCRIPTION	MATERIAL OR MODEL NUMBER	PART NUMBER	REQ'D NUMBER			
				A-1	B-1		
1	CONT. BOX	G.S	216684G01	1	-		
			218240G01		1		
2	START CAPACITOR	270-324MFD 110/115V	434171-03	1	-		
	CAPACITOR - STARTING	270-324MFD 125VAC	3A0076-04		1		
3	RUN CAPACITOR	15MFD 370V	434170-03	1	-		
	CAPACITOR		439943-04		1		
4	STRAP	G.S	434580-03	1	-		
			434580-07		1		
5	STARTER		434172-03	1	-		
			442866-01		1		
6	MAGNETIC CONTACTER	VC20	428393-01	1	1		
7	BRACKET	-	428393F01	1	1		
8	CAPACITOR	5.5MFD 230V	428641-02	1	-		
		5.5MFD 250V	443192-03		1		
9	TRANSFORMER	BW48-005	3U0135-01	1	1		
10	CONTROLLER BOARD	MY9KM910	2U0127-01	1	1		
11	BOARD SUPPORT	KGLS-6S	414929-01	6	6		
12	THERMOSTAT		439678-01	1	1		
13	TOGGLE SWITCH	ST-210P	428638-01	1	-		
		7563K6	443119-01		1		
14	3P PLUG HOUSING	3191-03P	412832-06	2	2		
15	2P PLUG HOUSING	3191-02P	412832-07	1	1		
16	3P RECEPTACLE HOUSING	3191-03R1	412831-06	2	2		
17	2P RECEPTACLE HOUSING	3191-02R1	412831-07	1	1		
18	BUSHING	SB-750-10	420470-05	1	1		
19	BUSHING	SB-625-8	420470-01	1	1		
20	BUSHING	OCB-500	428394-02	1	1		
21	BUSHING	OCB-875	428394-04	1	1		
22	CONTROL LABEL	PES FILM	439684-01	1	1		



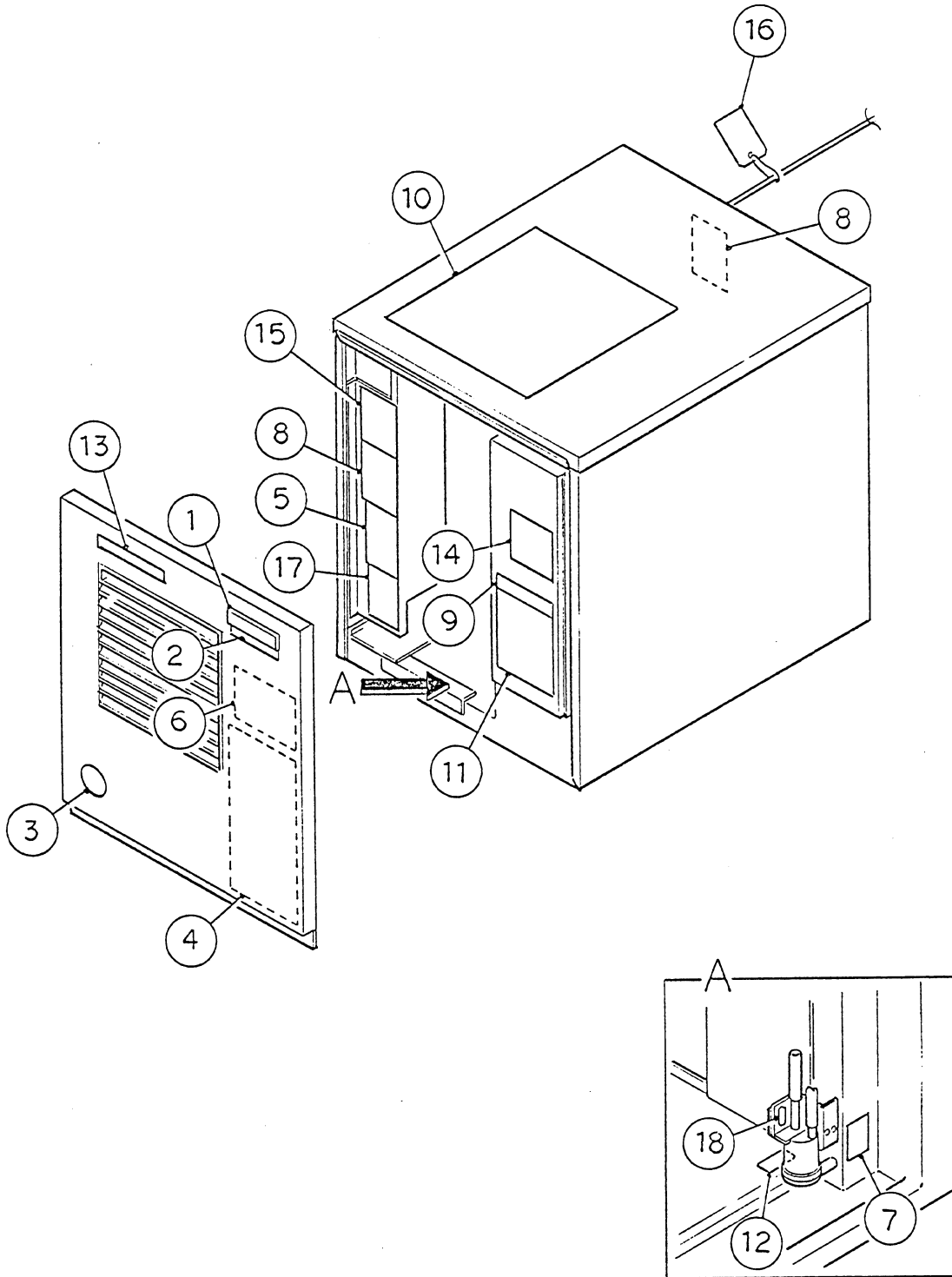


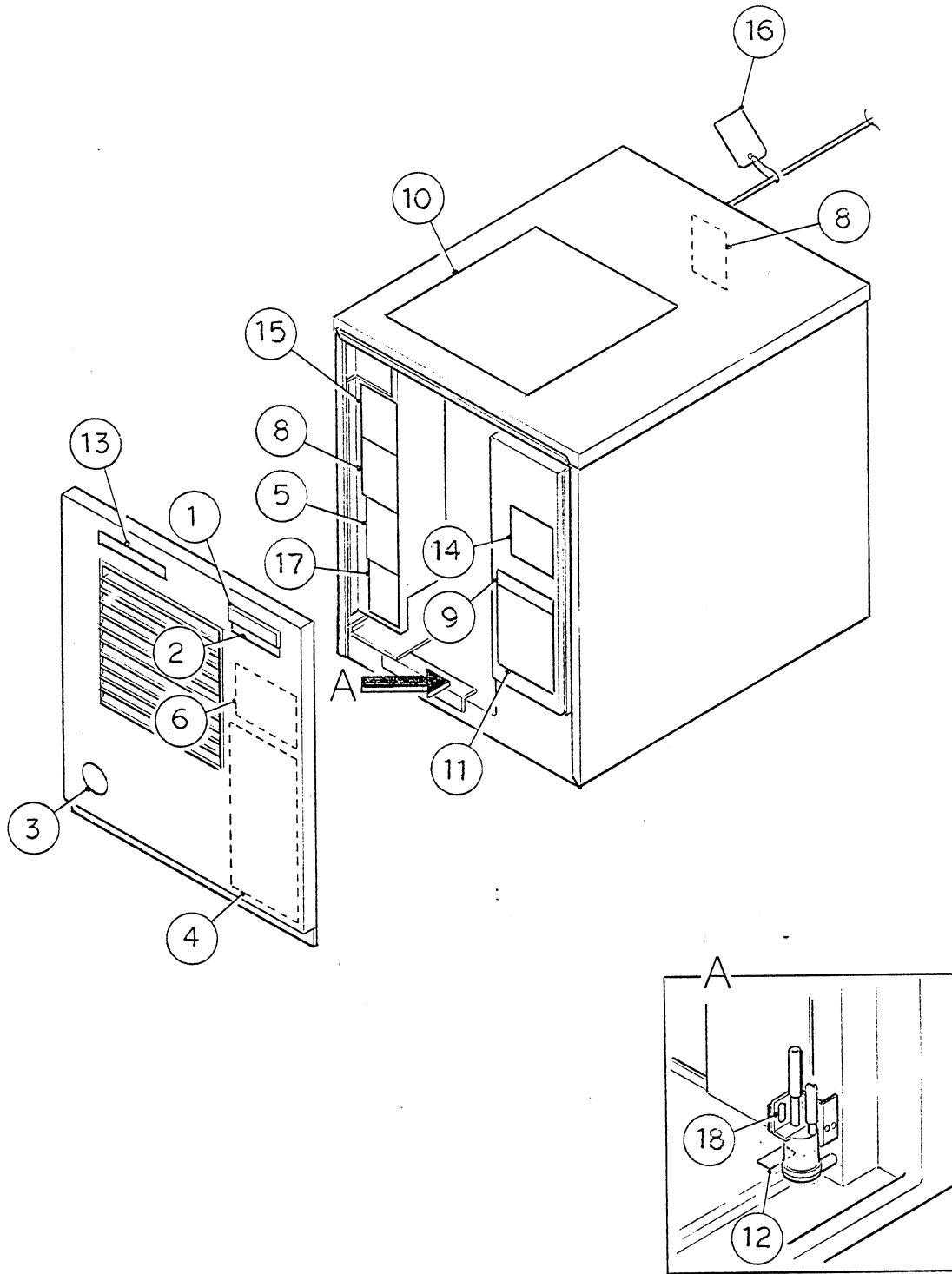
HA

MODEL: KM-250MWB TITLE: D. CONT. BOX ASSY							
INDEX NO.	DESCRIPTION	MATERIAL OR MODEL NUMBER	PART NUMBER	REQ'D NUMBER			
				A-1	B-1		
1	CONT. BOX	G.S	216684G01	1	-		
			218240G01		1		
2	START CAPACITOR	270-324MFD 110/115V	434171-03	1	-		
	CAPACITOR - STARTING	270-324MFD 125VAC	3A0076-04		1		
3	RUN CAPACITOR	15MFD 370V	434170-03	1	-		
	CAPACITOR		439943-04		1		
4	STRAP	G.S	434580-03	1	-		
			434580-07		1		
5	STARTER		434172-03	1	-		
			442866-01		1		
6	MAGNETIC CONTACTER	VC20	428393-01	1	1		
7	BRACKET	-	428393F01	1	1		
8	CAPACITOR	5.5MFD 230V	428641-02	1	-		
		5.5MFD 250V	443192-03		1		
9	TRANSFORMER	BW48-005	3U0135-01	1	1		
10	CONTROLLER BOARD	MY9KM910	2U0127-01	1	1		
11	BOARD SUPPORT	KGLS-6S	414929-01	6	6		
12	THERMOSTAT		439678-01	1	1		
13	TOGGLE SWITCH	ST-210P	428638-01	1	-		
		7563K6	443119-01		1		
14	3P PLUG HOUSING	3191-03P	412832-06	2	1		
15	2P PLUG HOUSING	3191-02P	412832-07	1	1		
16	3P RECEPTACLE HOUSING	3191-03R1	412831-06	2	1		
17	2P RECEPTACLE HOUSING	3191-02R1	412831-07	1	1		
18	BUSHING	SB-750-10	420470-05	1	1		
19	BUSHING	SB-625-8	420470-01	1	1		
20	BUSHING	OCB-500	428394-02	1	1		
21	BUSHING	OCB-875	428394-04	1	1		
22	CONTROL LABEL	PES FILM	439684-01	1	1		

HA

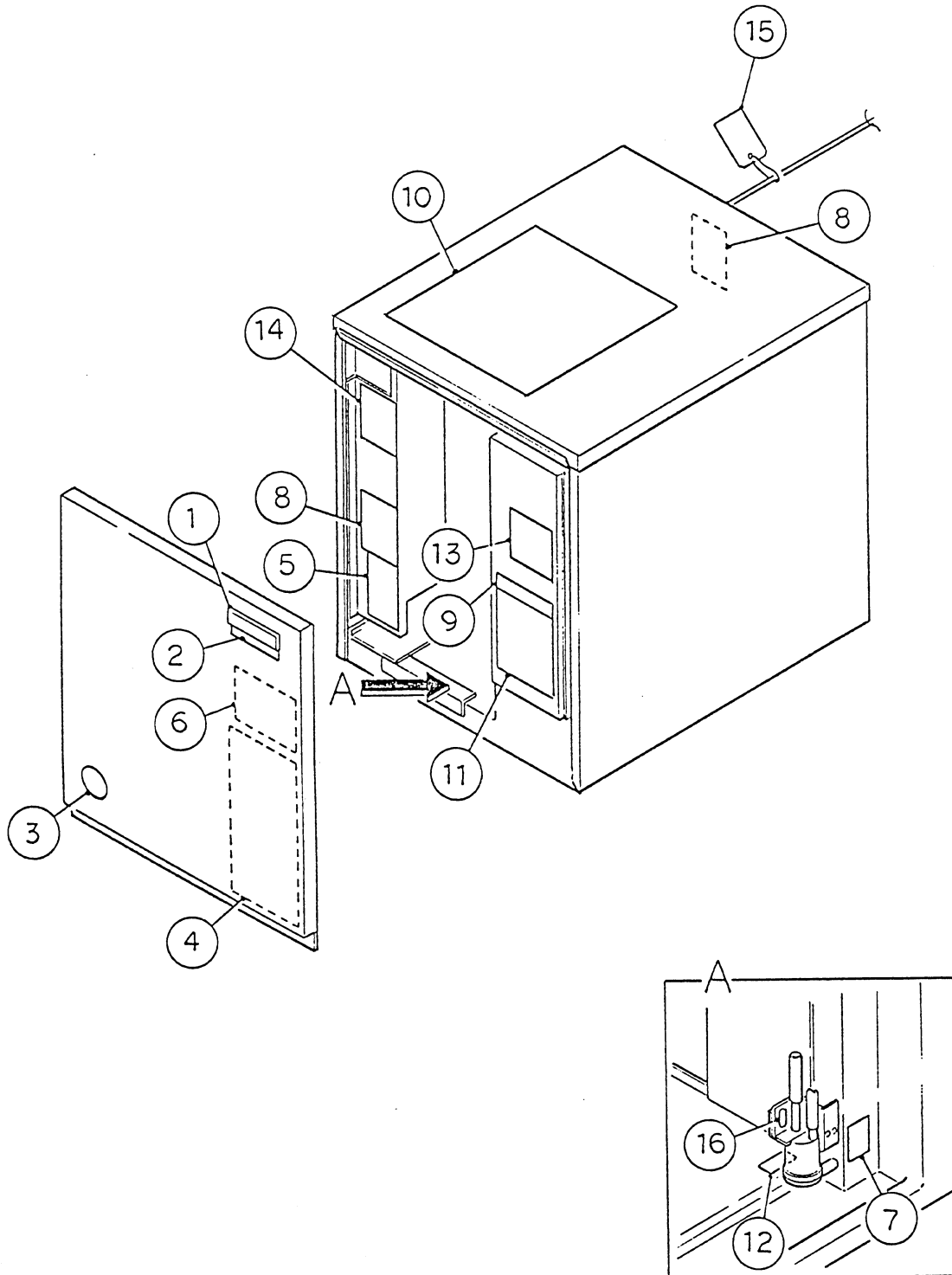
MODEL: KM-250MWB TITLE: D. CONT. BOX ASSY							
INDEX NO.	DESCRIPTION	MATERIAL OR MODEL NUMBER	PART NUMBER	REQ'D NUMBER			
				A-1	B-1		
23	4P PLUG HOUSING	3191-04P	412832-05		1		
24	4P RECEPTACLE HOUSING	3191-04R1	412831-05		1		

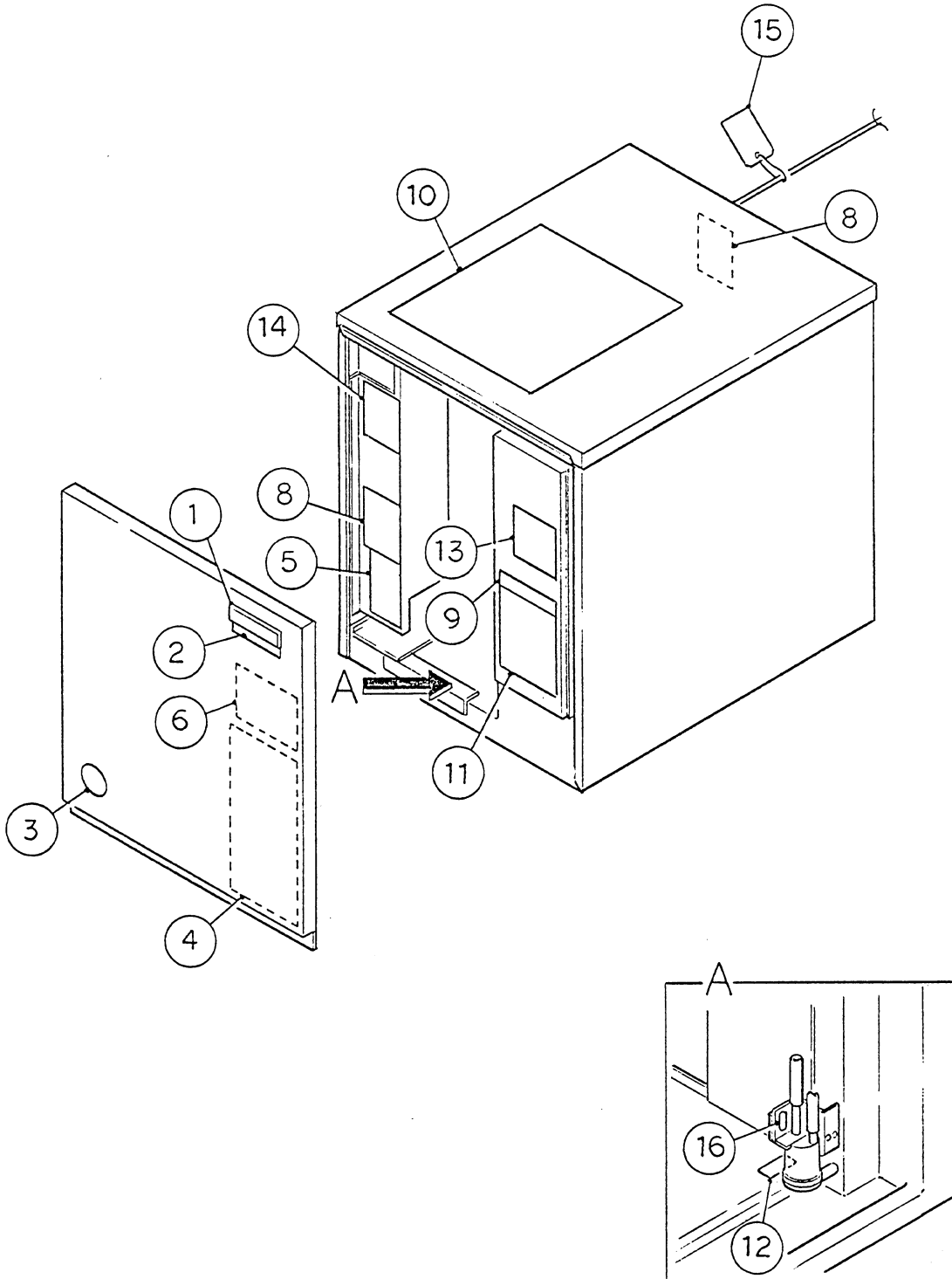




HA

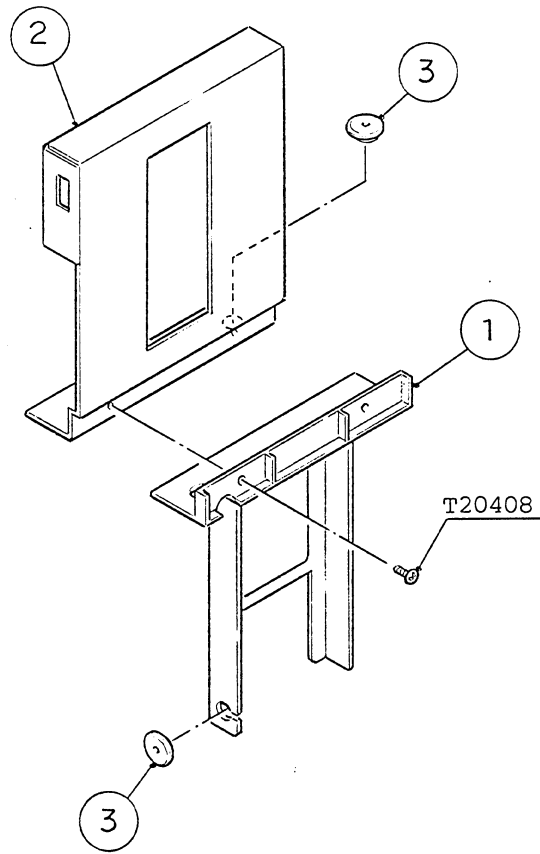
MODEL: KM-250MAB TITLE: E. LABEL LOCATION							
INDEX NO.	DESCRIPTION	MATERIAL OR MODEL NUMBER	PART NUMBER	REQ'D NUMBER			
				A-1	B-1		
1	EMBLEM (L) - HOSHIZAKI	ABS	418634G01	1	1		
2	MODEL NUMBER LABEL	PES FILM	436041-30	1	1		
3	LABEL - PENGUIN (R)	PETP FILM	410994-01	1	1		
4	MAINTENANCE LABEL	PVC FILM	326258-01	1	1		
5	CAUTION LABEL (H)	PVC FILM	439148-01	1	1		
6	WIRING LABEL	PVC FILM	326259-01	1	1		
7	MANUAL LABEL - FLOAT SWITCH	PVC FILM	439677-01	1	-		
8	NAME PLATE	PES FILM	440279-01	2	2		
9	CAUTION LABEL	PVC FILM	436198-01	1	1		
10	INSTRUCTION SHEET	PAPER	215640-01	1	1		
11	MANUAL LABEL - BIN CONTROL	PVC FILM	326260-01	1	1		
12	LABEL - R502	PES FILM	4A0026-01	1	1		
13	LABEL - AIR FILTER	PETP FILM	426177-01	1	1		
14	OPERATION LABEL - VALVE	PVC FILM	440525-01	1	1		
15	MANUAL LABEL	PVC FILM	439686-01	1	1		
16	TAG - WARNING: ELECTRICAL CONNECTION	PAPER	435005-01	1	1		
17	CAUTION LABEL (E)	PVC FILM	439145-01	1	1		
18	LABEL - ADJUSTED	PES FILM	419404-01	1	1		





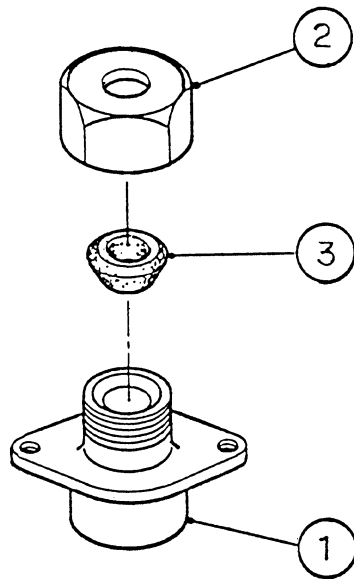
HA

MODEL: KM-250MWB TITLE: E. LABEL LOCATION							
INDEX NO.	DESCRIPTION	MATERIAL OR MODEL NUMBER	PART NUMBER	REQ'D NUMBER			
				A-1	B-1		
1	EMBLEM (L) - HOSHIZAKI	ABS	418634G01	1	1		
2	MODEL NUMBER LABEL	PES FILM	436041-31	1	1		
3	LABEL - PENGUIN (R)	PETP FILM	410994-01	1	1		
4	MAINTENANCE LABEL	PVC FILM	326258-01	1	1		
5	CAUTION LABEL (H)	PVC FILM	439148-01	1	1		
6	WIRING LABEL	PVC FILM	326259-01	1	1		
7	MANUAL LABEL - FLOAT SWITCH	PVC FILM	439677-01	1	-		
8	NAME PLATE	PES FILM	440280-01	2	2		
9	CAUTION LABEL	PVC FILM	436198-01	1	1		
10	INSTRUCTION SHEET	PAPER	215640-01	1	1		
11	MANUAL LABEL - BIN CONTROL	PVC FILM	326260-01	1	1		
12	LABEL - R502	PES FILM	4A0026-01	1	1		
13	OPERATION LABEL - VALVE	PVC FILM	440525-01	1	1		
14	MANUAL LABEL	PVC FILM	439686-01	1	1		
15	TAG - WARNING: ELECTRICAL CONNECTION	PAPER	435005-01	1	1		
16	LABEL - ADJUSTED	PES FILM	419404-01	1	1		



HA

MODEL: KM-250MAB,MWB TITLE: F. BULB HOLDER							
INDEX NO.	DESCRIPTION	MATERIAL OR MODEL NUMBER	PART NUMBER	REQ'D NUMBER			
				A-1	B-1		
1	BULB HOLDER (A)	ABS	215792-01	1	1		
2	BULB HOLDER (B)	ABS	326459-01	1	1		
3	CAPIRARY RING	EPDM	425307-01	2	2		

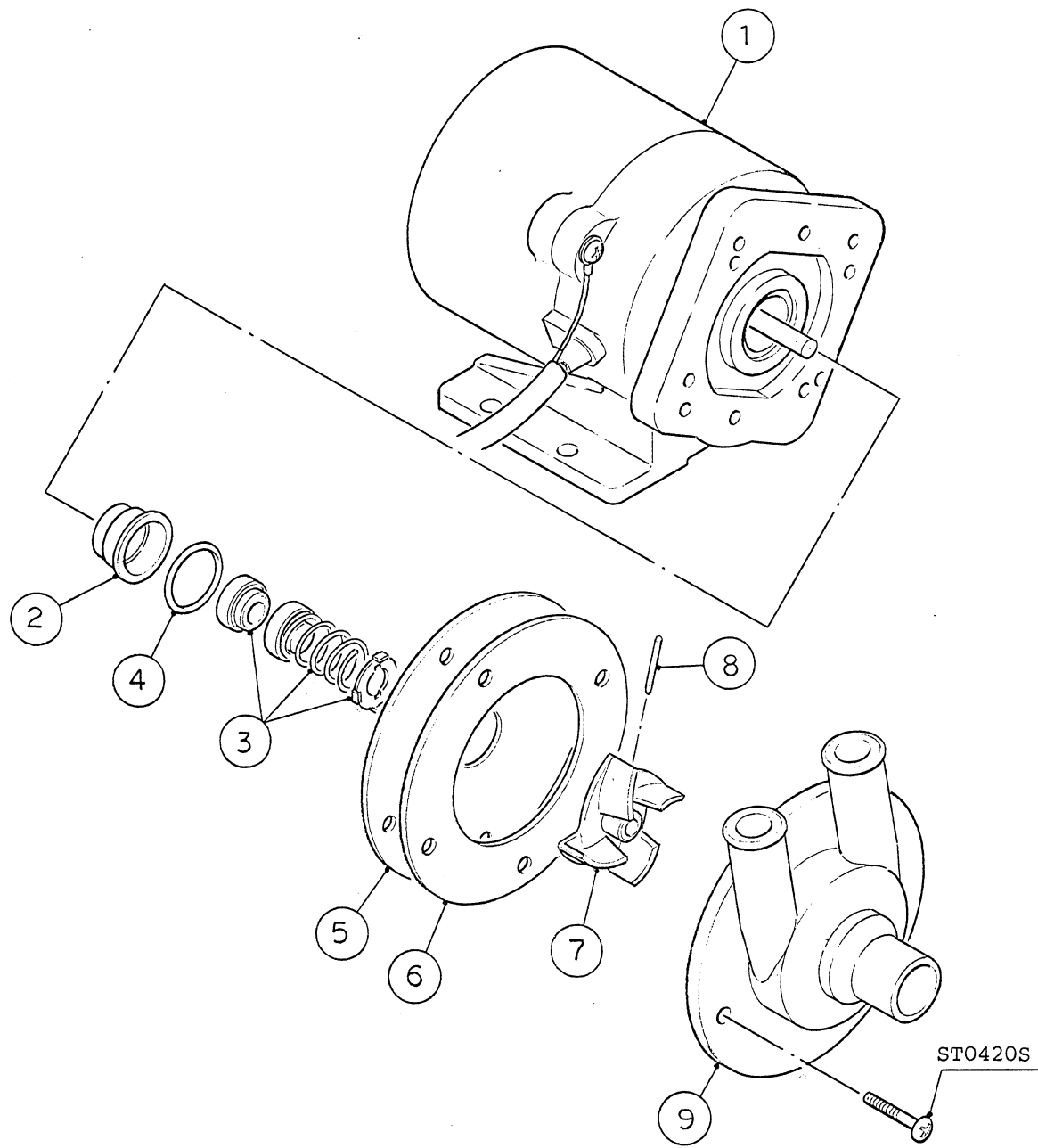


(S-0727)

HA
KM-250MAB, MWB

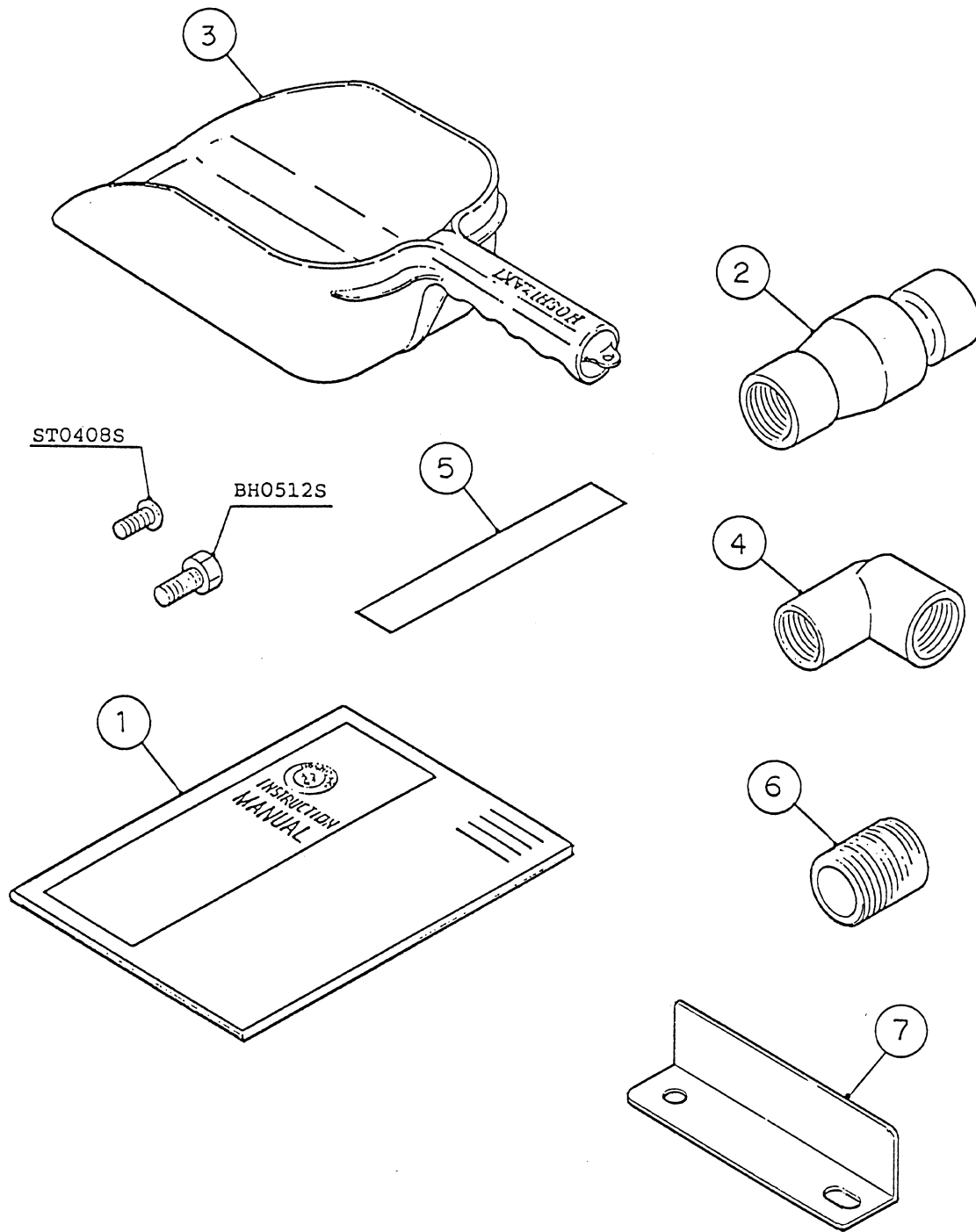
H.PUMP MOTOR ASSY

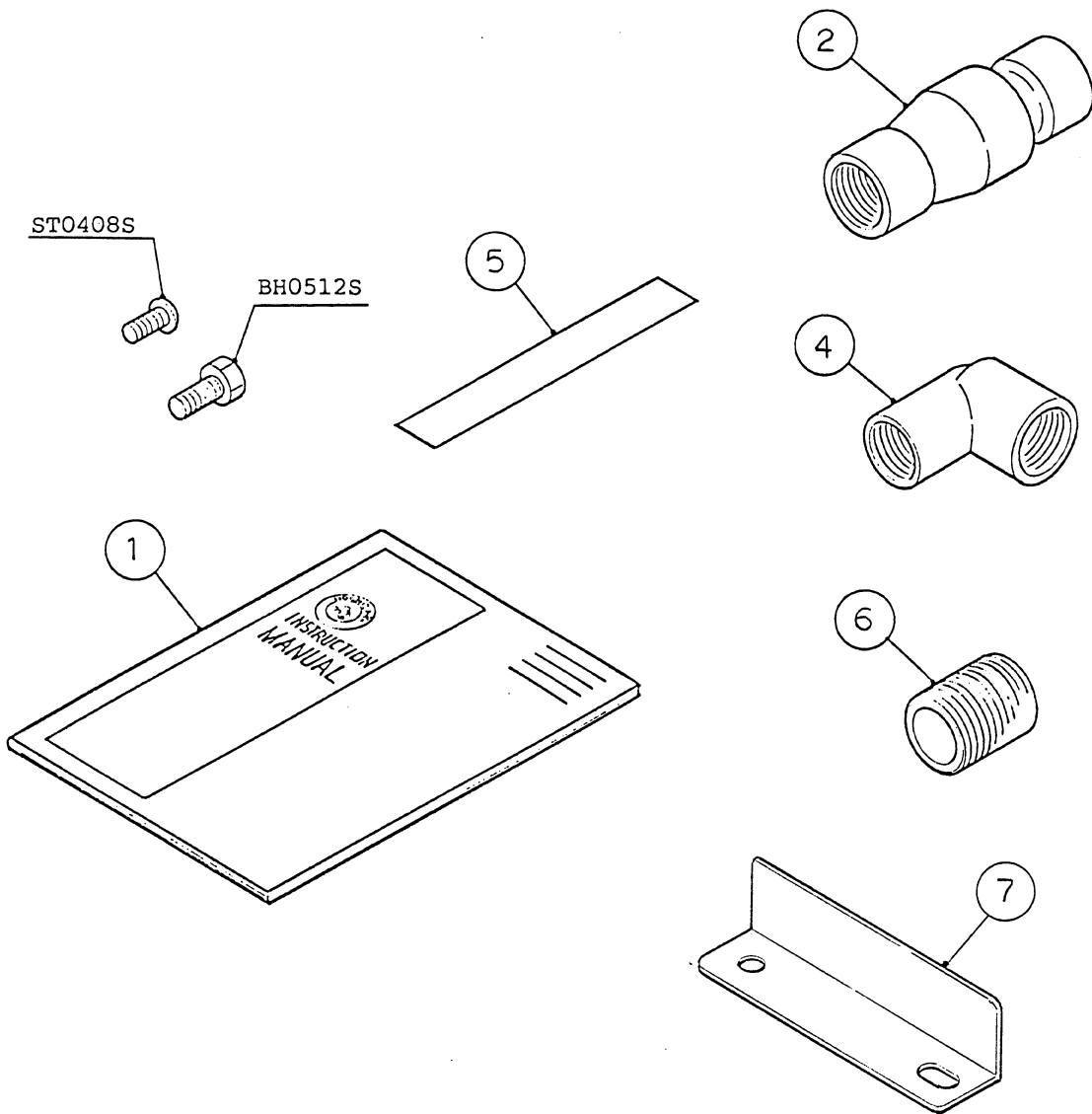
(B-1) (A-1)



HA

MODEL: KM-250MAB,MWB TITLE: H. PUMP MOTOR ASSY							
INDEX NO.	DESCRIPTION	MATERIAL OR MODEL NUMBER	PART NUMBER	REQ'D NUMBER			
				A-1	B-1		
1	PUMP MOTOR	AP-TA4(H) 120V	2U0095-01	1	1		
2	RETAINER	S.S	418584-01	1	1		
3	MECHANICAL SEAL (B)	H5-PS9 ø5	415817-01	1	1		
4	"O" RING	1AP18	7611-P018	1	1		
5	FLANGE - "O"RING	P.C	439674-01	1	1		
6	PUMP GASKET	NR	403014-01	1	1		
7	INPELLER	ABS	326256-01	1	1		
8	PIN	S.S	414102-01	1	1		
9	PUMP HOUSING	ABS	325567-01	1	1		





MODEL: KM-250MAB,MWB TITLE: J. ACCESSORIES							
INDEX NO.	DESCRIPTION	MATERIAL OR MODEL NUMBER	PART NUMBER	REQ'D NUMBER			
				A-1	B-1		
1	INSTRUCTION MANUAL	PAPER	91U1PC10A	1	1		
2	CHECK VALVE	PVC	439660-01	1	x 1		
			4A0168-01		o 1		
3	SCOOP	PS	437625-01	1	-		
4	ELBOW	PVC	439661-01	1	1		
5	LABEL - FASTENER	PAPER	427122-01	1	1		
6	NIPPLE	S.S	439662-01	1	x 1		
			4A0165-01		o 1		
7	BRACE	G.S	438734-01	2	2		

MODULAR CRESCENT CUBER

MODEL

KM-250MAB

KM-250MWB

PARTS LIST

ISSUED: SEP. 20, 1991

REVISED: SEP. 3, 1992

PRINTED: MAR. 25, 1996

ITEM NO: 71050